



US00D980692S

(12) **United States Design Patent**
Shen

(10) **Patent No.:** **US D980,692 S**
(45) **Date of Patent:** **** Mar. 14, 2023**

- (54) **LOCK**
- (71) Applicant: **shenzhenshilangtianxiatrading Co., LTD, Shenzhen (CN)**
- (72) Inventor: **Ce Shen, Guangdong (CN)**
- (73) Assignee: **shenzhenshilangtianxiatrading Co., LTD, Shenzhen (CN)**

6,722,167 B1 * 4/2004 Hsu E05B 65/462
70/79
D520,338 S * 5/2006 Robert D8/339
8,397,548 B1 * 3/2013 Lin E05B 63/044
70/462
8,702,131 B1 * 4/2014 Gianoli E05B 63/044
292/DIG. 60
9,663,972 B2 * 5/2017 Ullrich E05B 65/462
D837,030 S 1/2019 Cavanna et al.
2004/0061342 A1 * 4/2004 Ramsauer E05B 1/0092
292/336.3

(**) Term: **15 Years**

(Continued)

(21) Appl. No.: **29/823,794**

OTHER PUBLICATIONS

(22) Filed: **Jan. 20, 2022**

“SDC 1091AIV SpaceSaver Aluminum Finish Electric Bolt Lock”,
Aug. 24, 2010, Amazon.com, site visited Dec. 12, 2022: <https://www.amazon.com/SDC-1091AIV-SpaceSaver-Aluminum-Electric/dp/B00EZW8P8> (Year: 2010).*

(51) **LOC (14) Cl.** **08-07**

(52) **U.S. Cl.**
USPC **D8/331**

(Continued)

(58) **Field of Classification Search**
USPC D8/331, 333, 334, 339, 347, 400
CPC E05B 13/10; F25D 29/006; Y10S 292/65;
Y10T 70/5097; Y10T 70/5761
See application file for complete search history.

Primary Examiner — Jack Reickel
Assistant Examiner — Michael A Kervin

(57) **CLAIM**

The ornamental design for a lock, as shown and described.

(56) **References Cited**

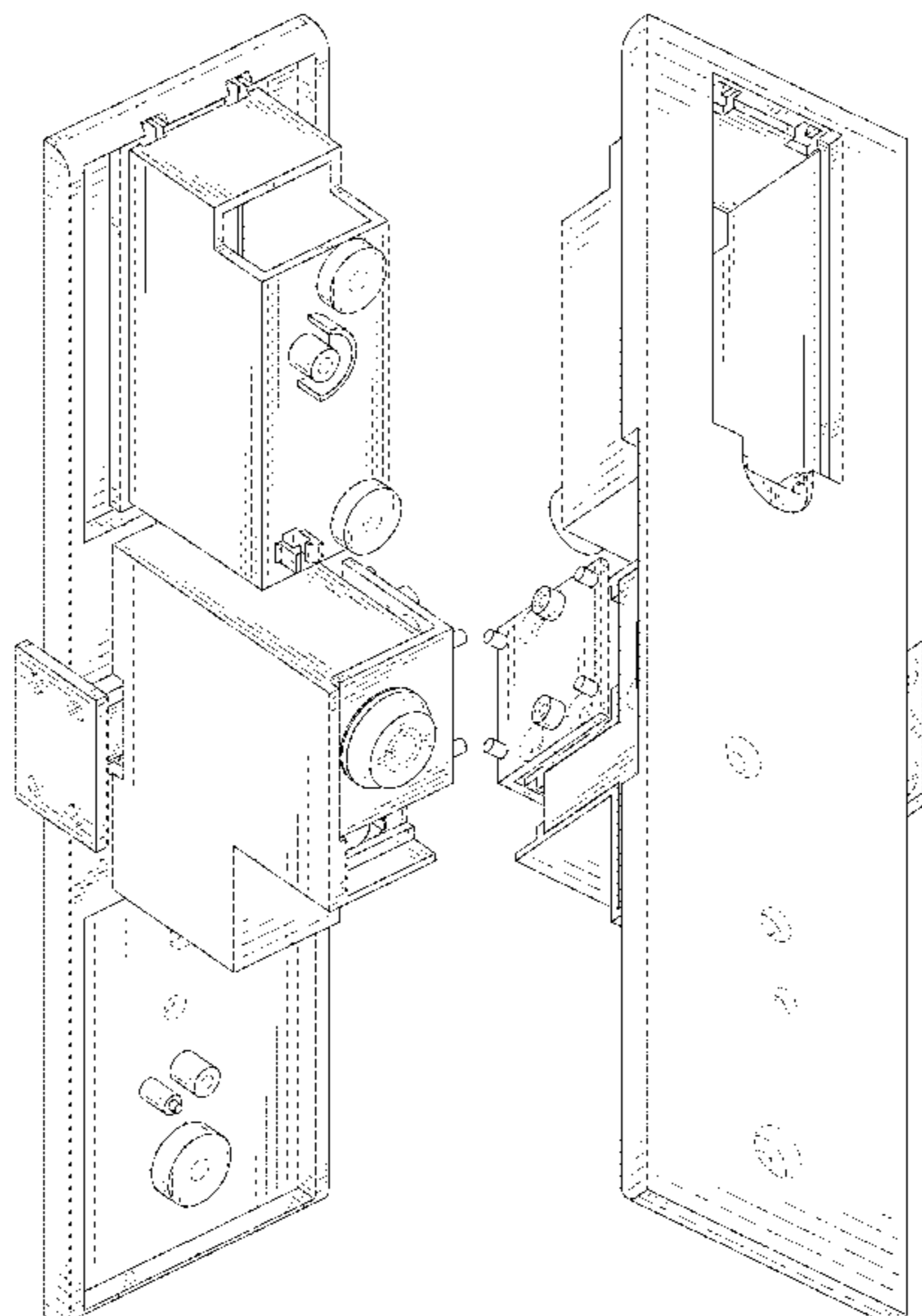
DESCRIPTION

U.S. PATENT DOCUMENTS

- D176,585 S * 1/1956 Blanchard D25/48.7
- 3,584,483 A * 6/1971 Orr E05B 63/0013
292/226
- D228,375 S * 9/1973 Northrup D8/400
- 4,676,081 A * 6/1987 Craig E05C 1/16
292/DIG. 31
- D303,079 S * 8/1989 Parthenis D8/331
- 4,882,919 A * 11/1989 Craig E05B 13/10
292/DIG. 31
- D347,158 S * 5/1994 Shen D8/333
- 5,347,834 A * 9/1994 Ramsauer E05B 35/08
70/120
- D396,397 S * 7/1998 Swan D8/331
- 6,477,872 B1 * 11/2002 Denton, Jr. E05B 67/36
70/80

FIG. 1 is a front and top perspective view of a lock, showing my new design;
FIG. 2 is a rear and bottom perspective view thereof;
FIG. 3 is a front and right perspective view thereof;
FIG. 4 is a front elevation view thereof;
FIG. 5 is a rear elevation view thereof;
FIG. 6 is a left side elevation view thereof;
FIG. 7 is a right side elevation view thereof;
FIG. 8 is a top plan view thereof; and,
FIG. 9 is a bottom plan view thereof.
The broken lines in the figures illustrate portions of the lock that form no part of the claimed design.

1 Claim, 9 Drawing Sheets



(56)

References Cited

U.S. PATENT DOCUMENTS

2008/0060392 A1* 3/2008 Hoffman E05C 9/041
70/78

OTHER PUBLICATIONS

“Seco-Larm SD-997A-GBQ Electric Deadbolt”, Mar. 19, 2018, Amazon.com, site visited Dec. 12, 2022: <https://www.amazon.com/dp/B07J6QJXMQ> (Year: 2018).*

“Lockey USA Sumo GL2 DC”, Mar. 13, 2020, Amazon.com, site visited Dec. 12, 2022: <https://www.amazon.com/Lockey-USA-Mechanical-Combination-GL2JBMGDC/dp/B085WRX1TD> (Year: 2020).*

“Twist-to-Lock Storefront Door Lock”, Aug. 31, 2021, Amazon.com, site visited Dec. 12, 2022: <https://www.amazon.com/Storefront-Anti-mislock-deadbolt-Commercial-Aluminum/dp/B09F37W2ZL> (Year: 2021).*

* cited by examiner

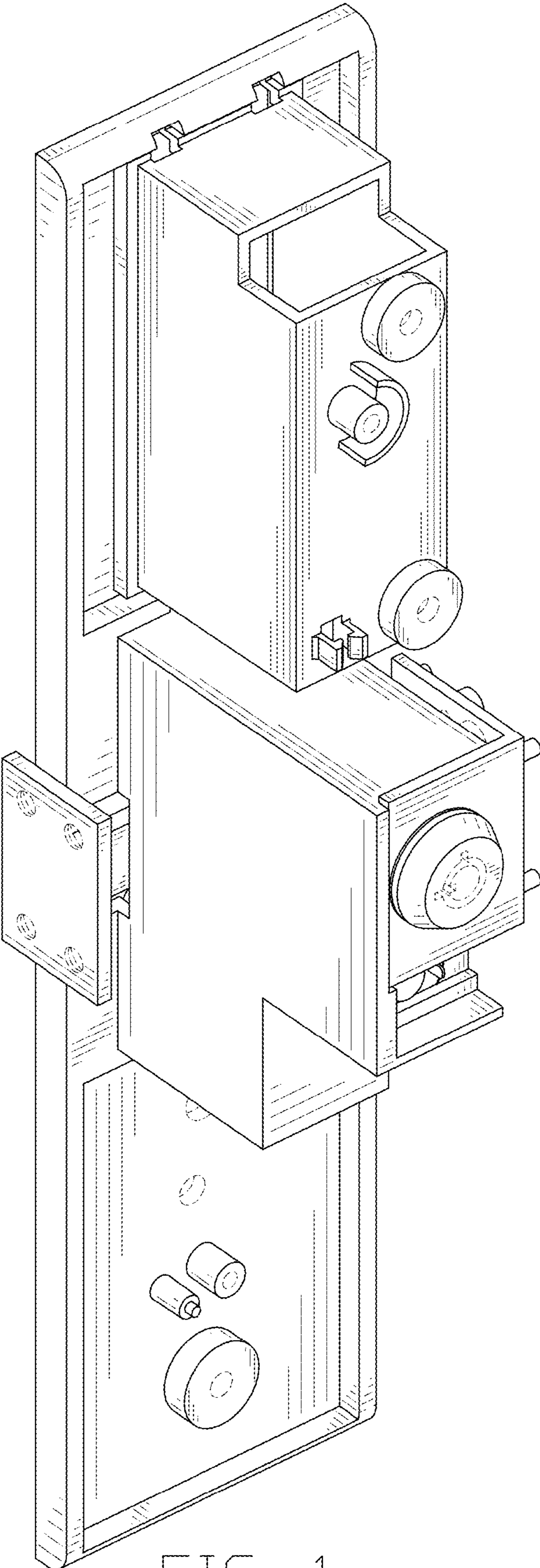


FIG. 1

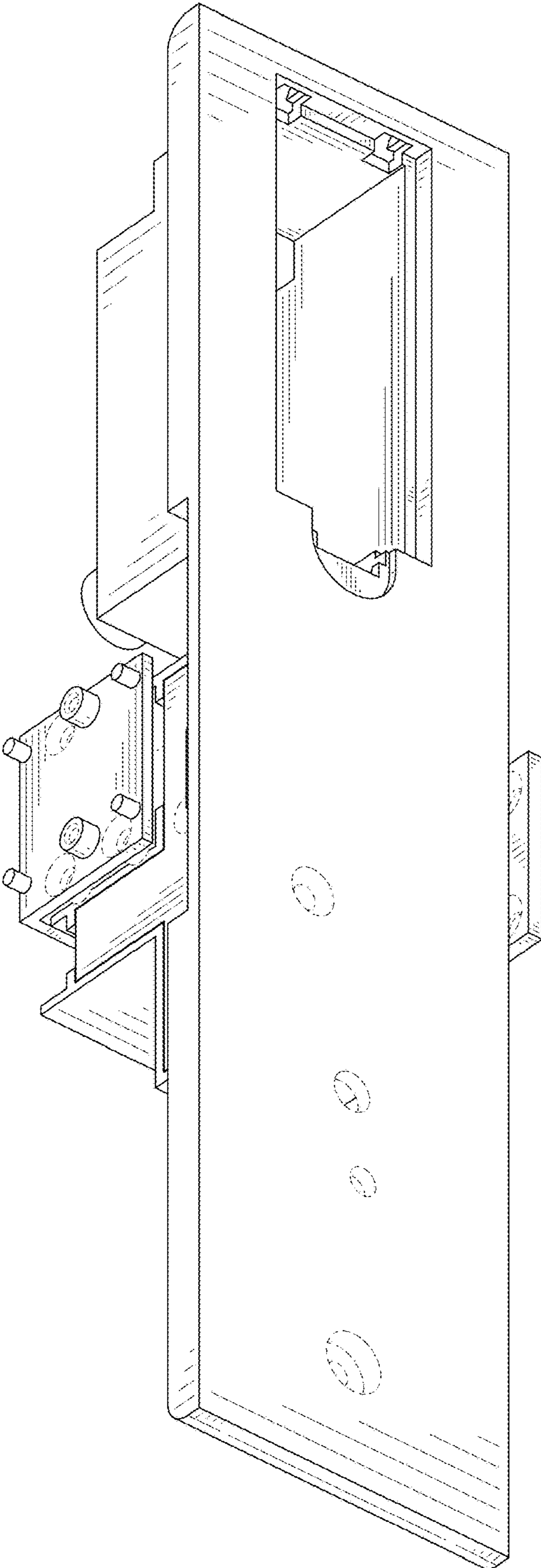


FIG. 2

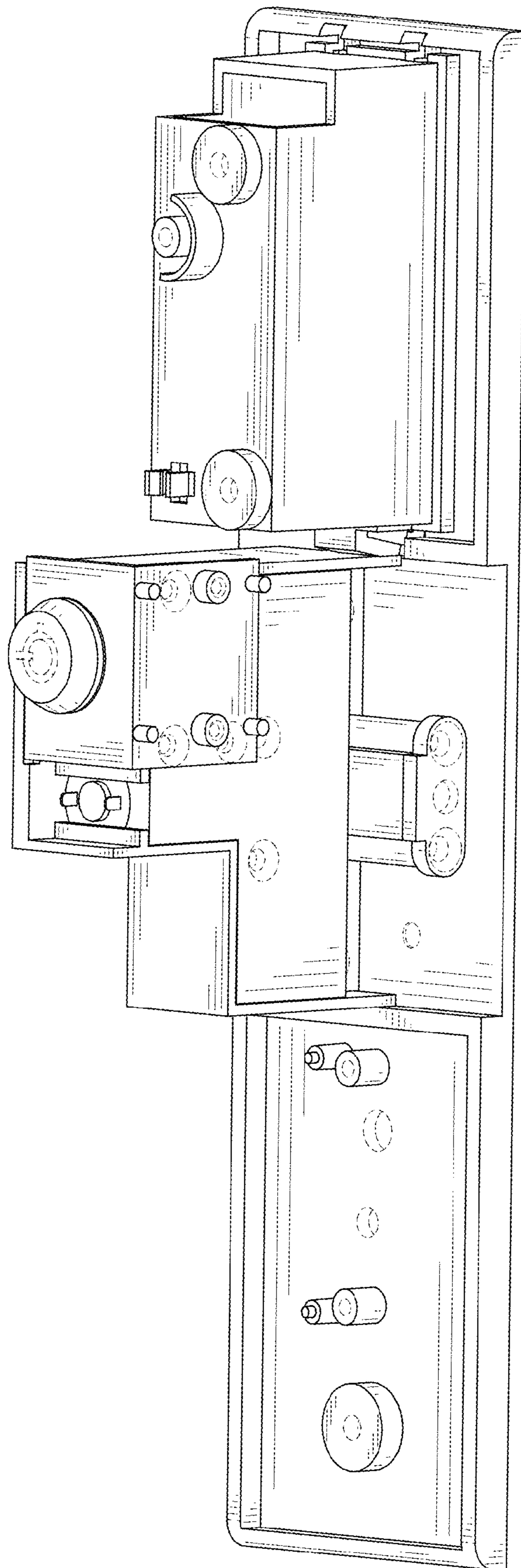


FIG. 3

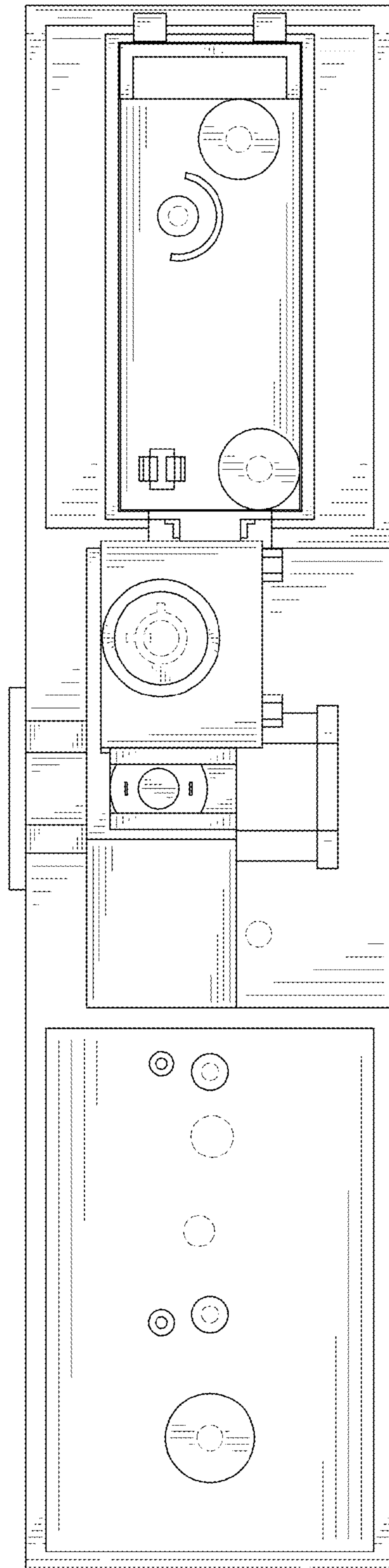


FIG. 4

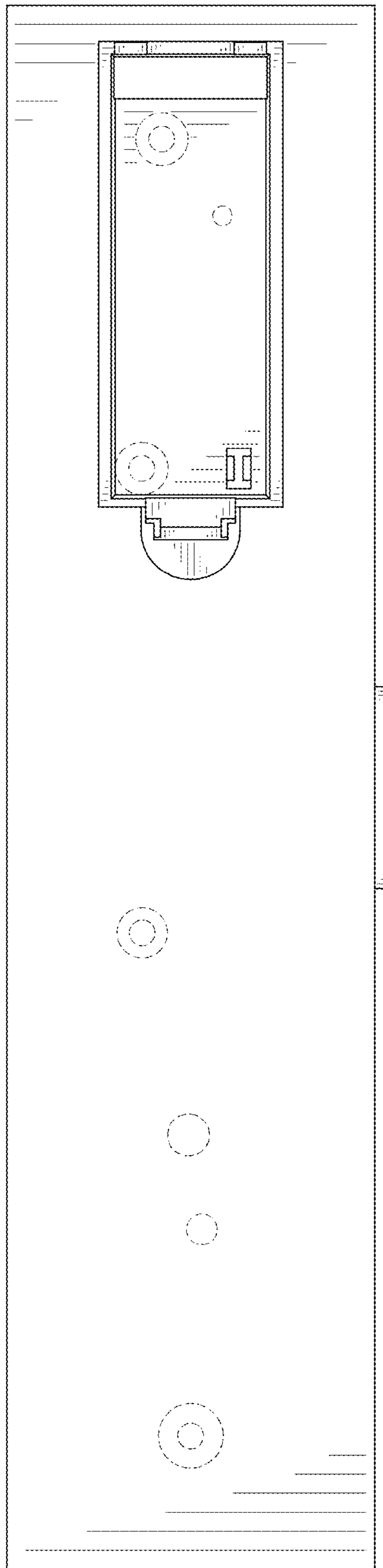


FIG. 5

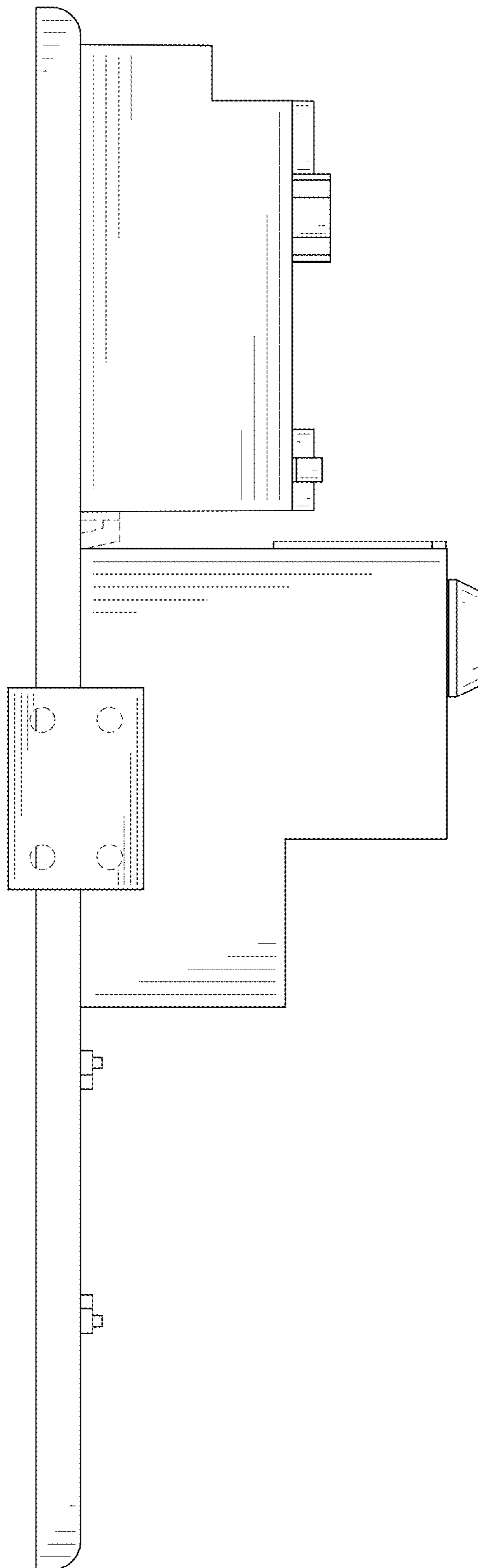


FIG. 6

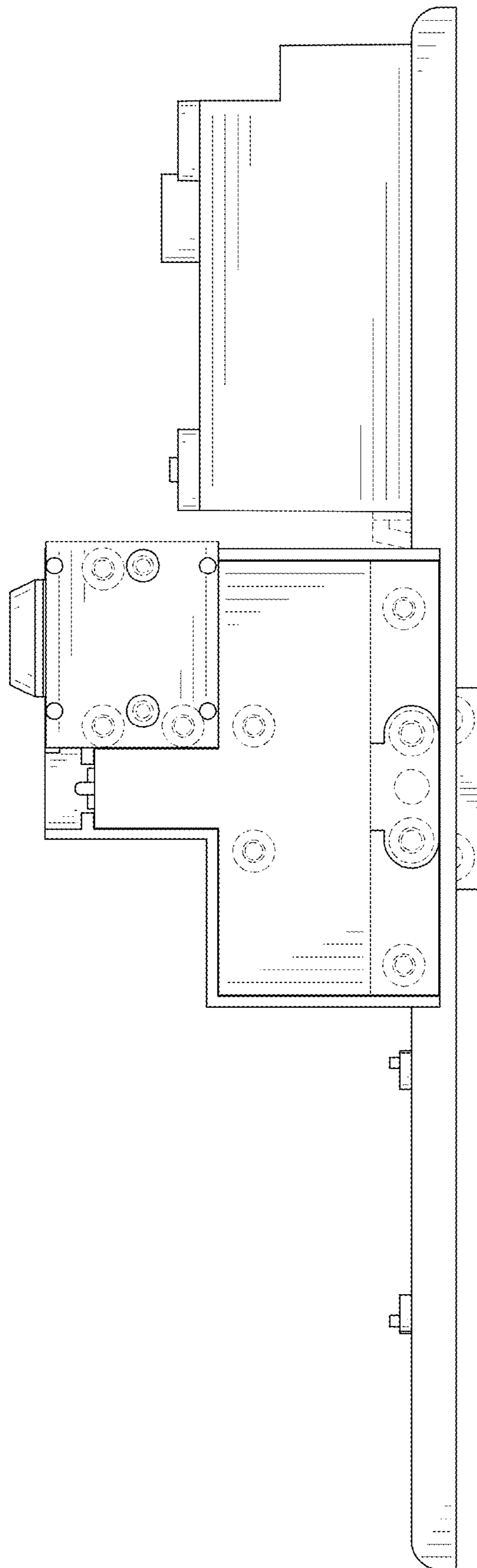


FIG. 7

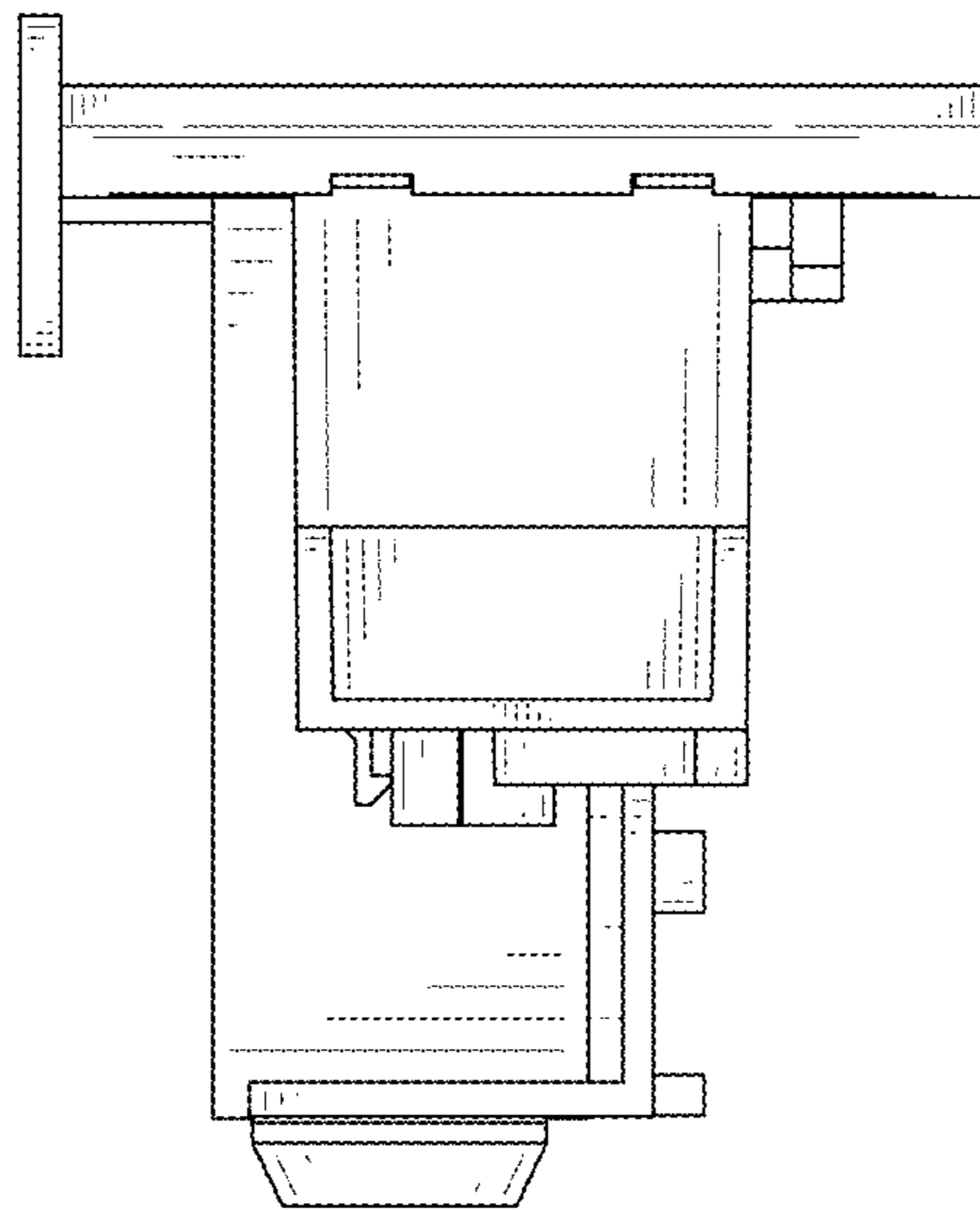


FIG. 8

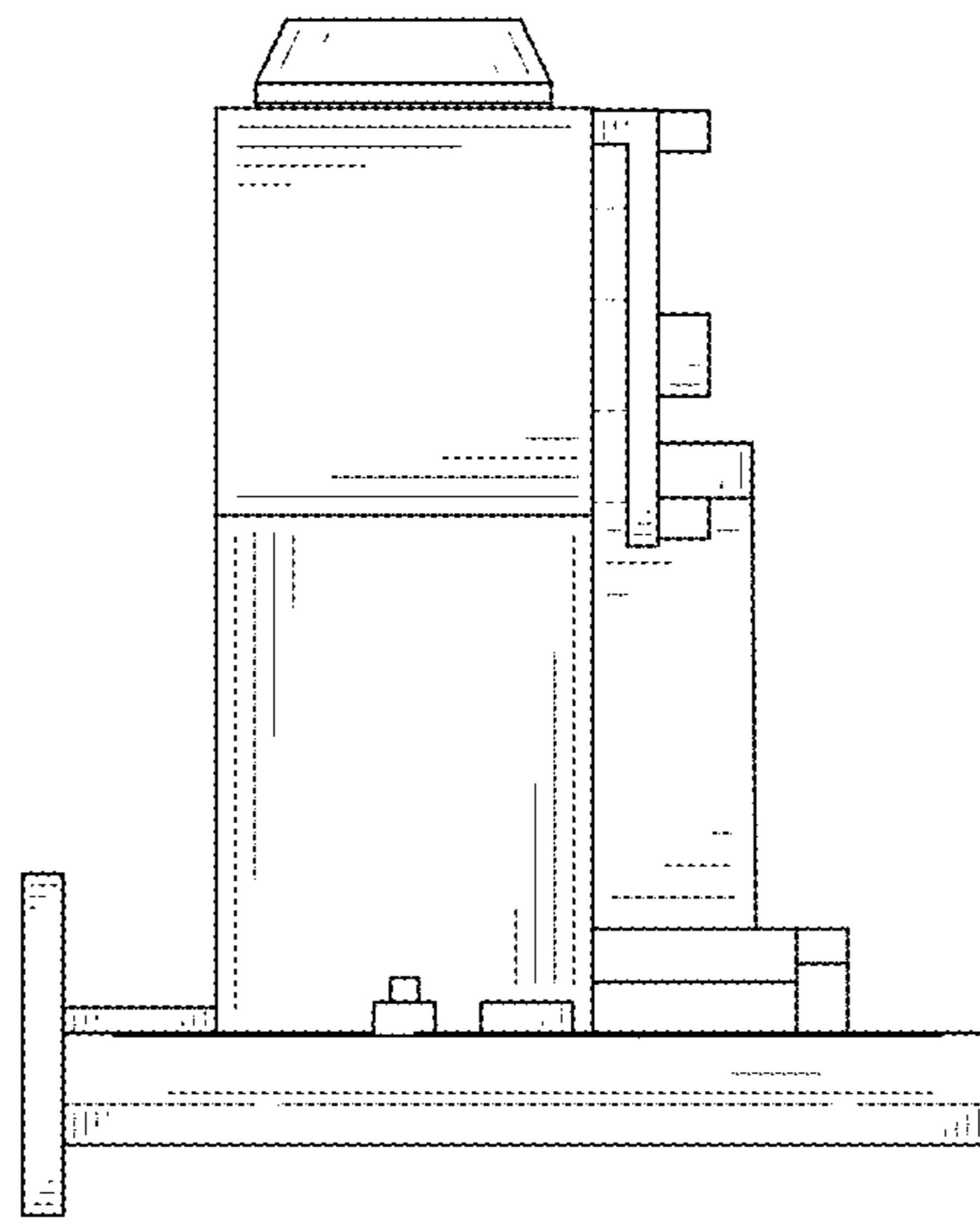


FIG. 9