



US00D980691S

(12) **United States Design Patent** (10) **Patent No.:** **US D980,691 S**
Moore (45) **Date of Patent:** **** Mar. 14, 2023**

(54) **KNOB COVER**
(71) Applicant: **Anthony Moore**, Mannford, OK (US)
(72) Inventor: **Anthony Moore**, Mannford, OK (US)
(**) Term: **15 Years**
(21) Appl. No.: **29/802,688**
(22) Filed: **Aug. 6, 2021**
(51) **LOC (14) Cl.** **08-06**
(52) **U.S. Cl.**
USPC **D8/322; D8/310**
(58) **Field of Classification Search**
USPC D8/300–303, 307, 310, 311, 312, 321,
D8/322; D13/174; D23/250, 252;
D7/395; D12/174, 176
CPC Y10T 292/82; Y10T 16/506; Y10T 16/46;
Y10T 74/2084; Y10T 292/57; Y10T
74/20876; Y10T 292/85; Y10T 16/4636;
Y10T 70/5867; Y10T 16/44; Y10T
16/476; Y10T 16/459; Y10T 16/469;
Y10T 16/487
See application file for complete search history.

(56) **References Cited**
U.S. PATENT DOCUMENTS
2,197 A * 7/1841 Hotchkiss et al. E05B 1/0015
16/414
190,349 A * 5/1877 McManus et al. ... A47J 45/074
292/347
499,900 A * 6/1893 Wardwell E05B 3/06
292/348
574,755 A * 1/1897 Oehler A47J 45/074
16/DIG. 30
1,516,152 A * 11/1924 Dumont E05B 17/0058
74/548
1,713,819 A * 5/1929 Crofoot B62D 1/06
16/DIG. 30

2,601,596 A * 6/1952 Cronin E05B 1/0007
292/347
2,721,597 A * 10/1955 Pitrella E05B 1/0061
16/DIG. 30
2,936,191 A * 5/1960 Kubik G05G 1/10
74/553
4,082,351 A * 4/1978 Chrones E05B 13/001
16/DIG. 30
D270,642 S * 9/1983 Watts D15/126
D291,824 S * 9/1987 Lathrop D23/254
D402,875 S * 12/1998 Bethea D8/322
D527,981 S * 9/2006 Sato D8/313
D713,235 S * 9/2014 Lee D8/310
D736,589 S * 8/2015 Watson D8/310
11,044,992 B1 * 6/2021 Yuki E05B 1/04
D942,836 S * 2/2022 Groleski D8/310
2006/0006678 A1 * 1/2006 Herron, Jr. E05B 1/0069
292/336.3
2006/0059663 A1 * 3/2006 D'Ambrosio E05B 1/0069
16/441
2008/0271287 A1 * 11/2008 Gustafson F16K 31/60
16/110.1
2010/0139046 A1 * 6/2010 Daniels E05B 1/0015
16/417

(Continued)

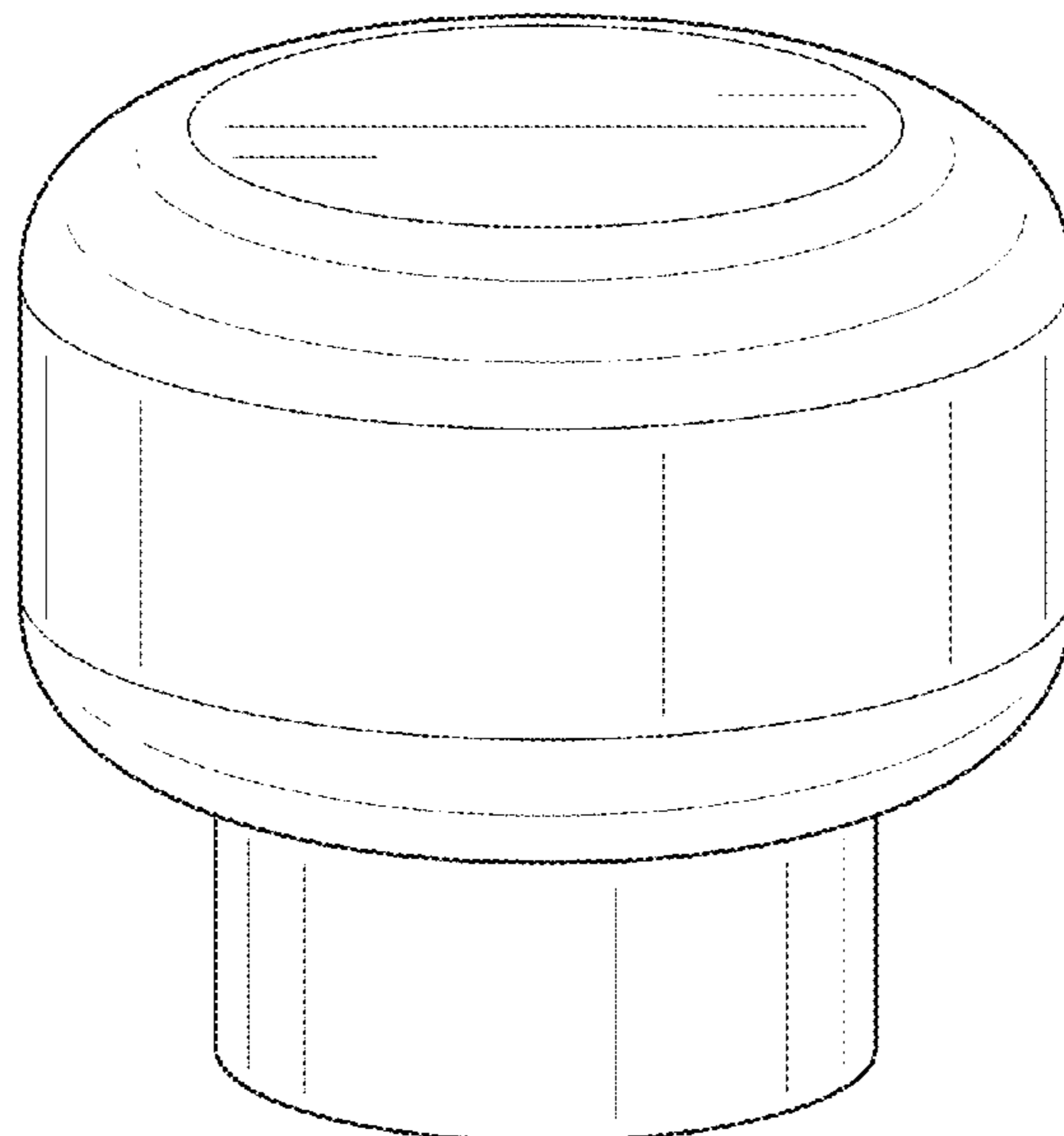
Primary Examiner — Lauren R Calve
(74) *Attorney, Agent, or Firm* — Head, Johnson,
Kachigian & Wilkinson, PC

(57) **CLAIM**
The ornamental design for a knob cover, as shown and
described.

DESCRIPTION

FIG. 1 is a perspective view of the knob cover;
FIG. 2 is a right side view thereof;
FIG. 3 is a left side view thereof;
FIG. 4 is a top view thereof;
FIG. 5 is a bottom view thereof;
FIG. 6 is a front view thereof; and,
FIG. 7 is a back view thereof.

1 Claim, 4 Drawing Sheets



(56)

References Cited

U.S. PATENT DOCUMENTS

2012/0086221 A1* 4/2012 Abel E05B 1/0015
292/202

* cited by examiner

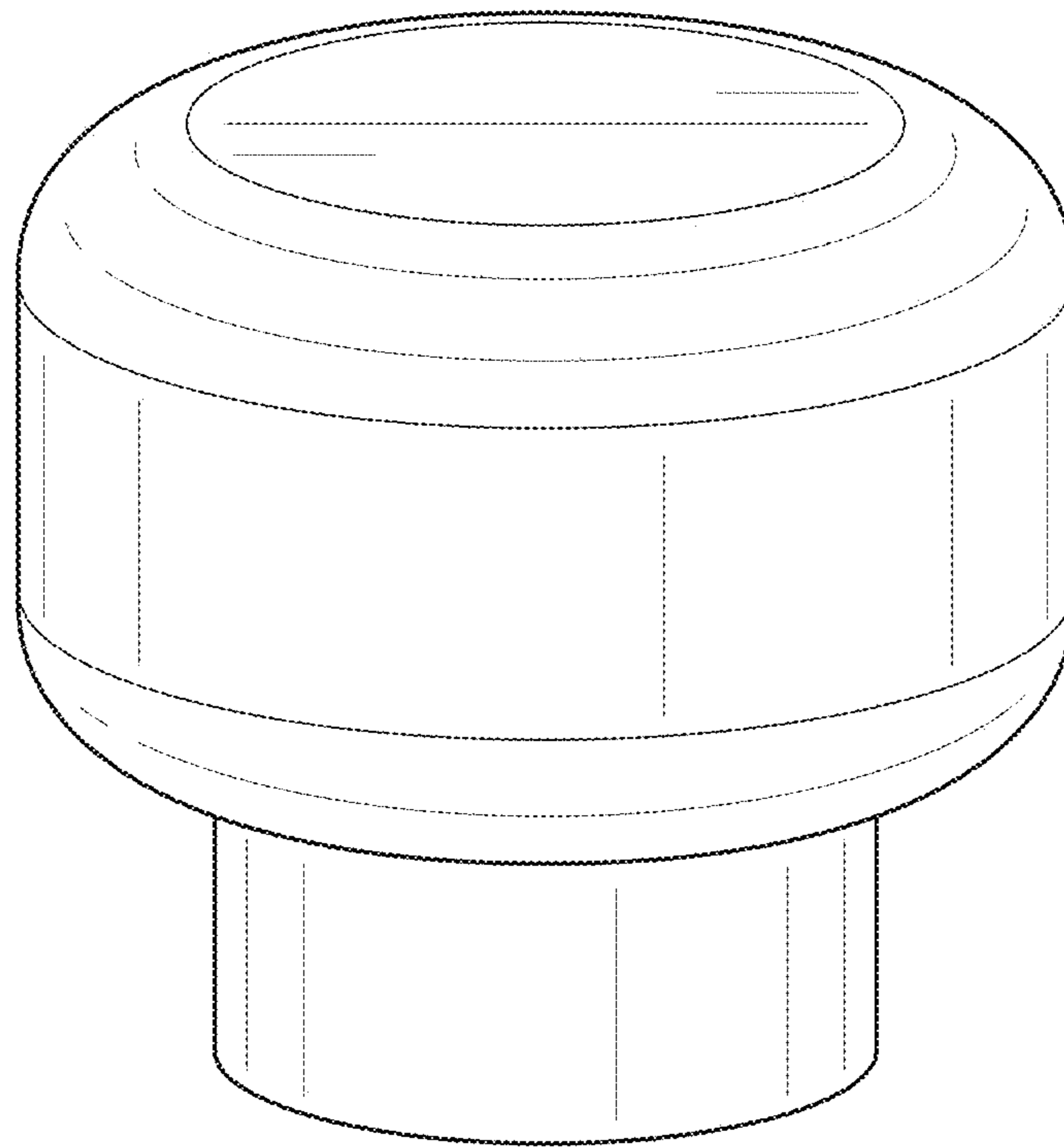


FIG. 1

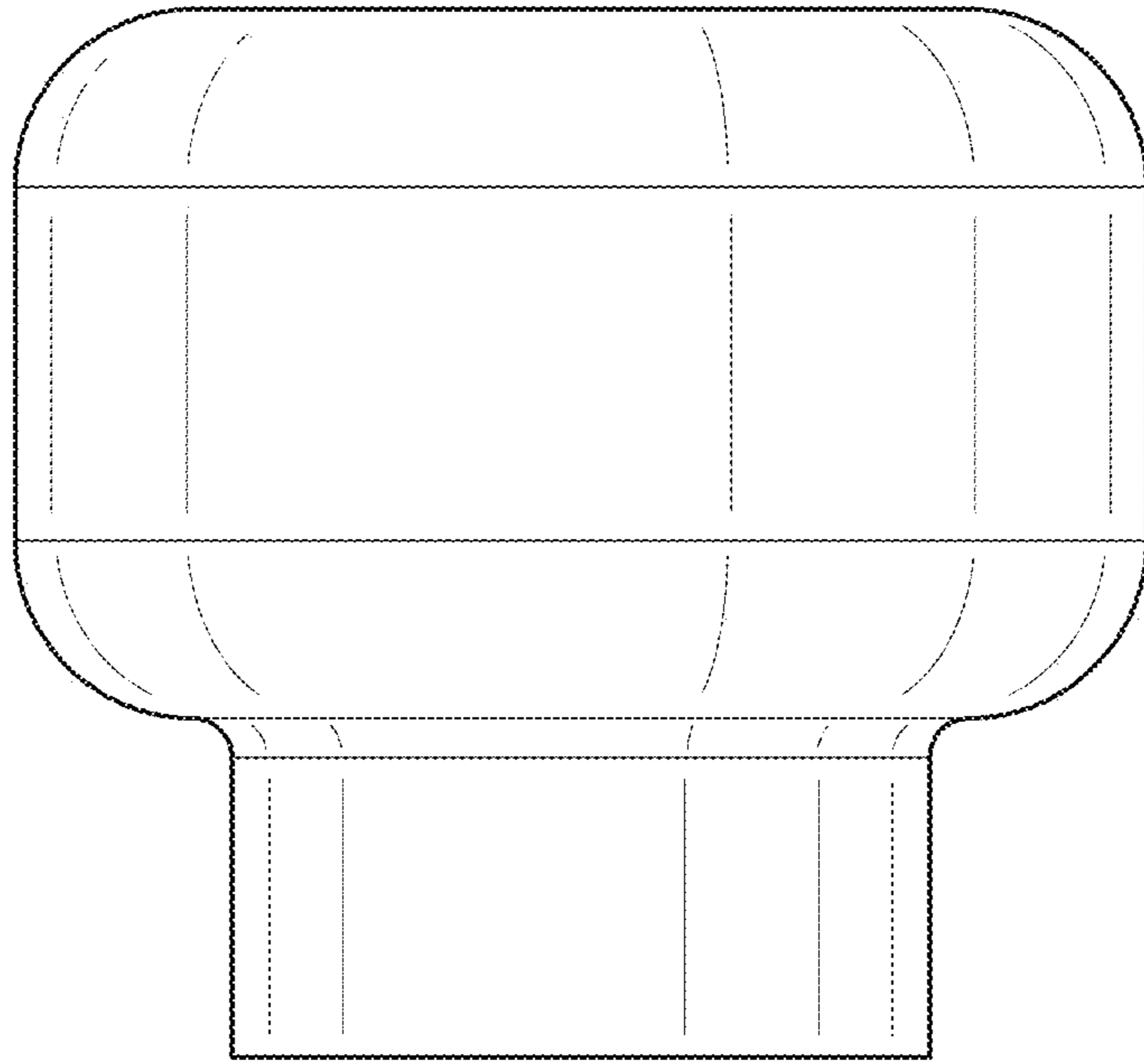


FIG. 2

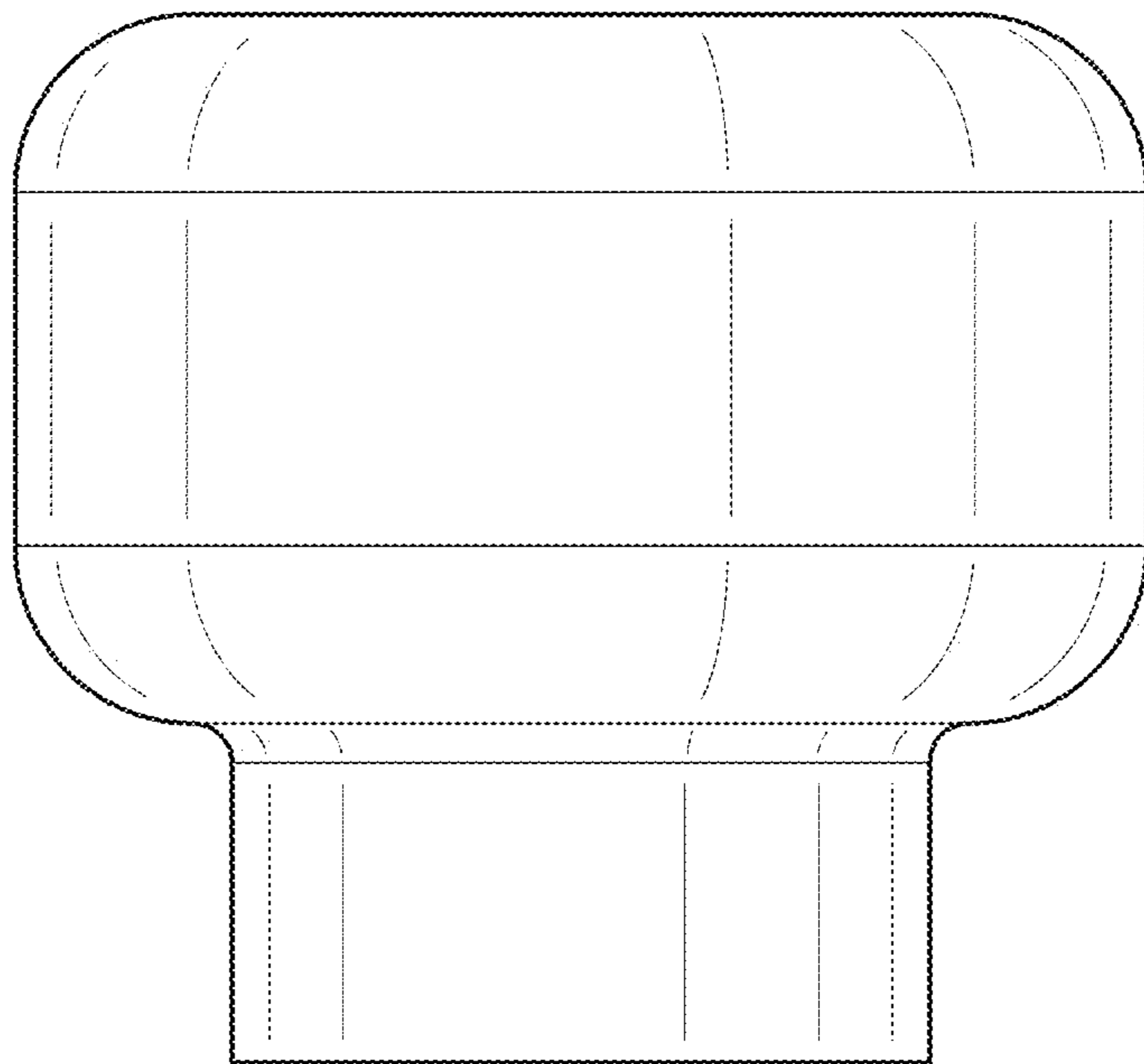


FIG. 3

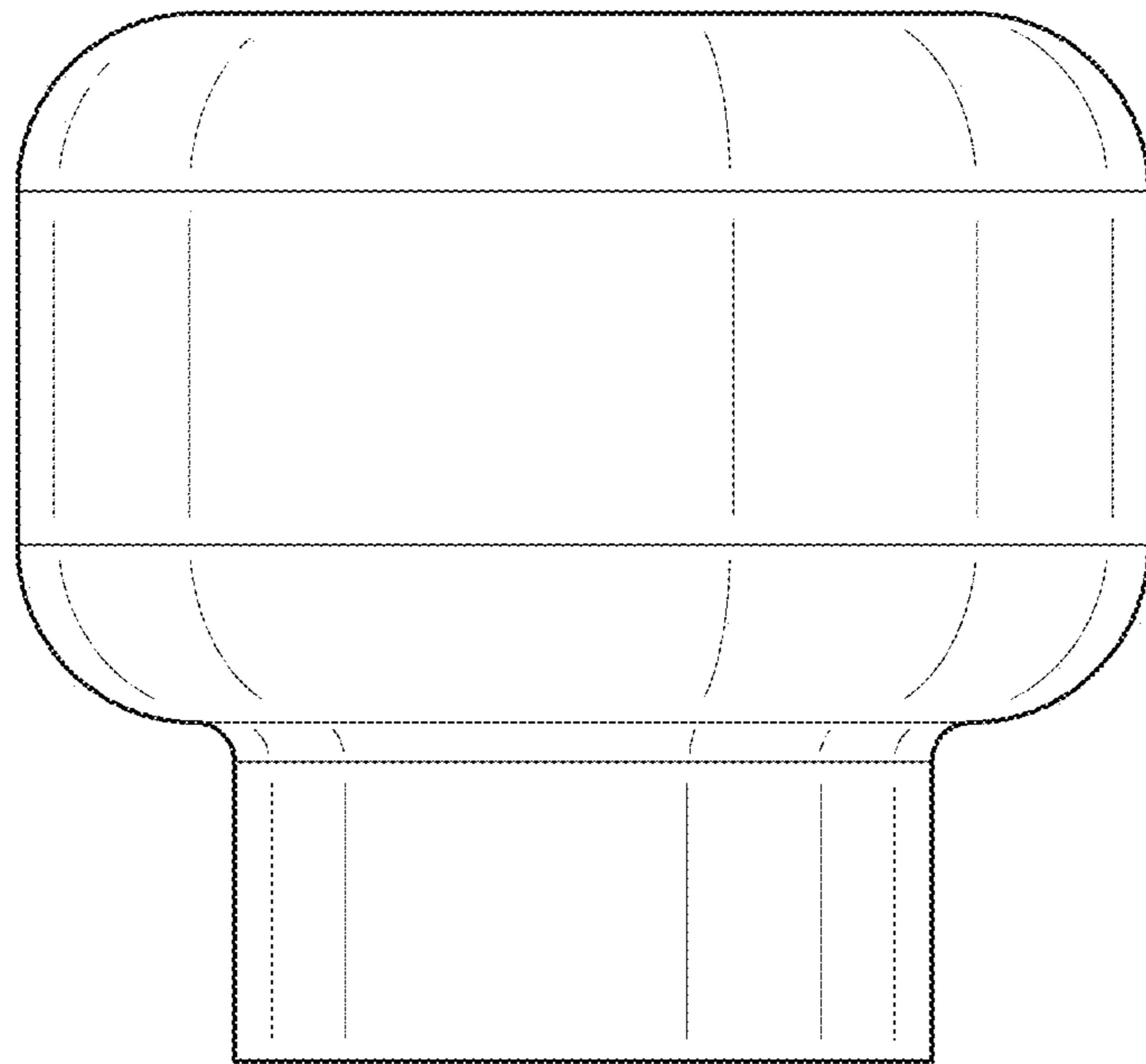


FIG. 4

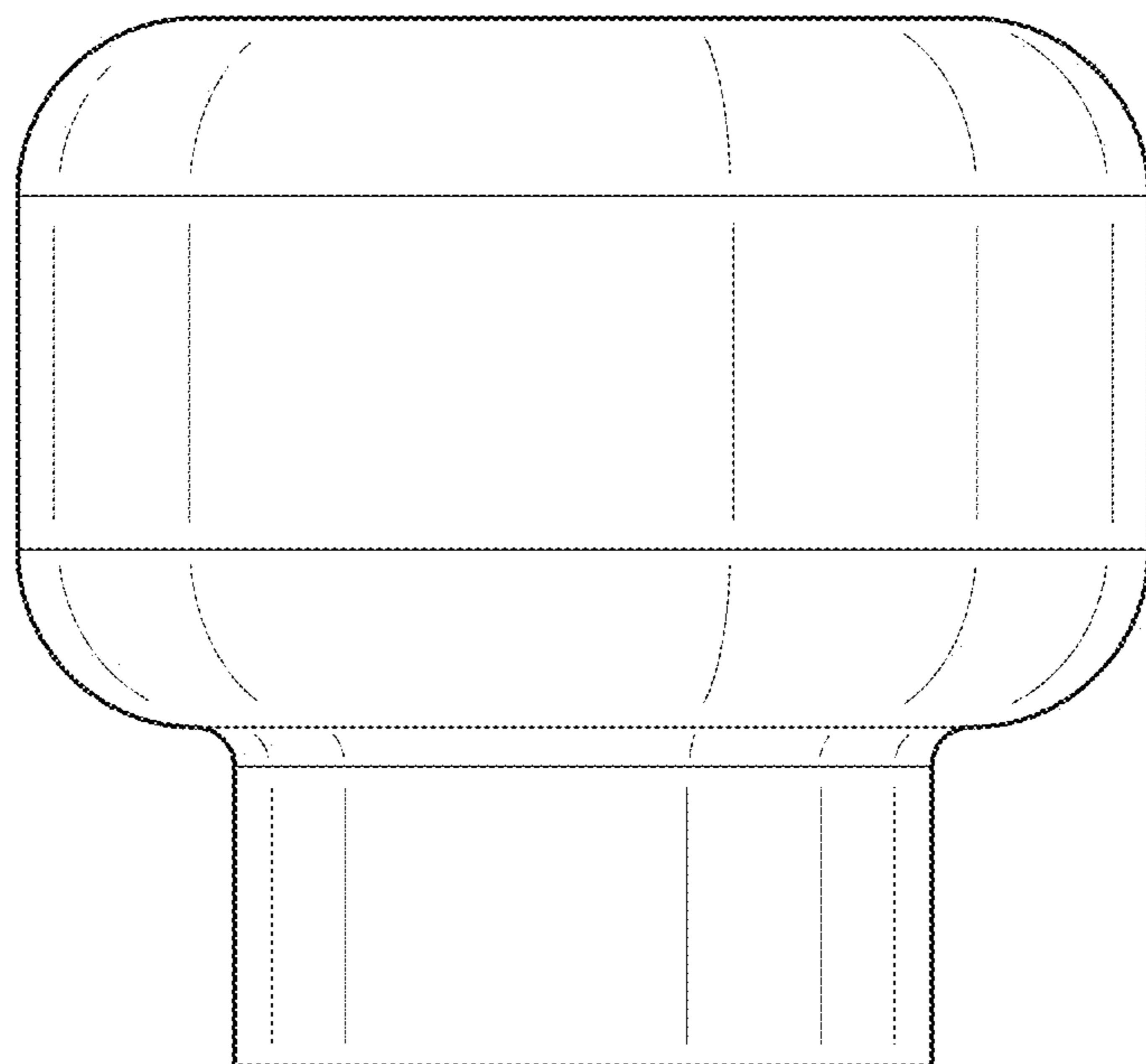


FIG. 5

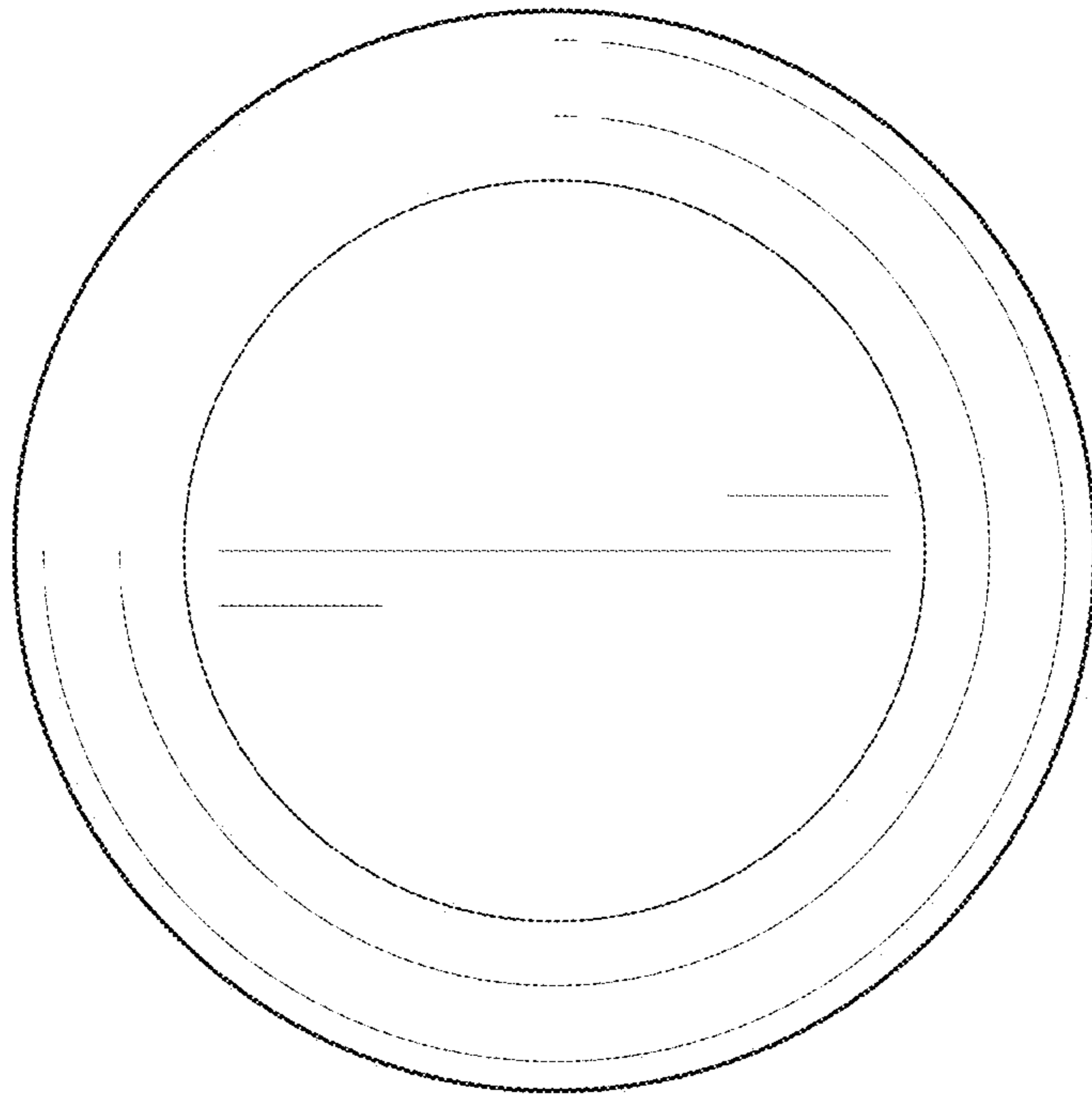


FIG. 6

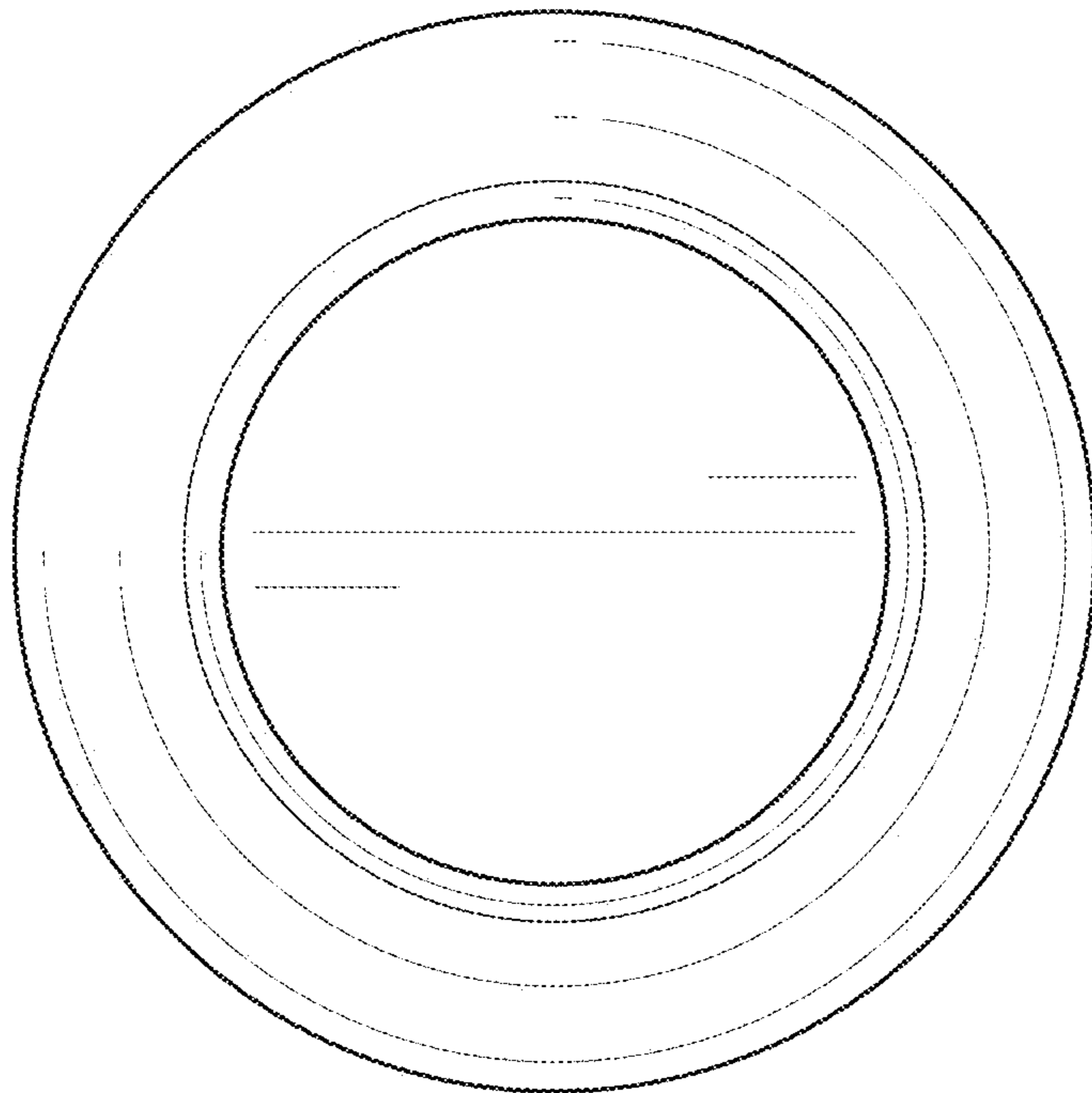


FIG. 7