



US00D980689S

(12) **United States Design Patent**  
**Zhang**

(10) **Patent No.:** **US D980,689 S**  
(45) **Date of Patent:** **\*\* Mar. 14, 2023**

(54) **HANDLE**  
(71) Applicant: **Feng Zhang**, Jiangxi (CN)  
(72) Inventor: **Feng Zhang**, Jiangxi (CN)  
(\*\*) Term: **15 Years**  
(21) Appl. No.: **29/864,517**  
(22) Filed: **Jun. 1, 2022**  
(51) **LOC (14) Cl.** ..... **08-06**  
(52) **U.S. Cl.**  
USPC ..... **D8/300**; D7/622; D12/406  
(58) **Field of Classification Search**  
USPC ..... 215/396; 220/737, 741; D12/114, 406,  
D12/420; D21/682, 673; D7/622;  
D8/300  
CPC ..... A47G 25/1457; A47G 23/0216; B65D  
23/106; A45F 5/10  
See application file for complete search history.

D573,415 S \* 7/2008 Van Slycke ..... D7/622  
D646,618 S \* 10/2011 Mulanon ..... D12/406  
D646,619 S \* 10/2011 Mulanon ..... D12/406  
8,499,951 B1 \* 8/2013 McDonald ..... B65D 23/106  
215/396  
D715,197 S \* 10/2014 Santana ..... D12/114  
D926,897 S 8/2021 Behar et al.  
D932,254 S \* 10/2021 Cutler ..... D7/622  
D934,651 S \* 11/2021 Xie ..... D8/301  
D957,888 S \* 7/2022 Musumeci ..... D7/622  
D964,816 S \* 9/2022 Musumeci ..... D7/622  
D971,002 S \* 11/2022 Liu ..... D8/302  
2016/0374489 A1 \* 12/2016 Knoll ..... A45F 5/10  
220/741

\* cited by examiner

*Primary Examiner* — Cynthia R Underwood  
(74) *Attorney, Agent, or Firm* — Georgi Korobanov

(57) **CLAIM**

The ornamental design for a handle, as shown and described.

(56) **References Cited**

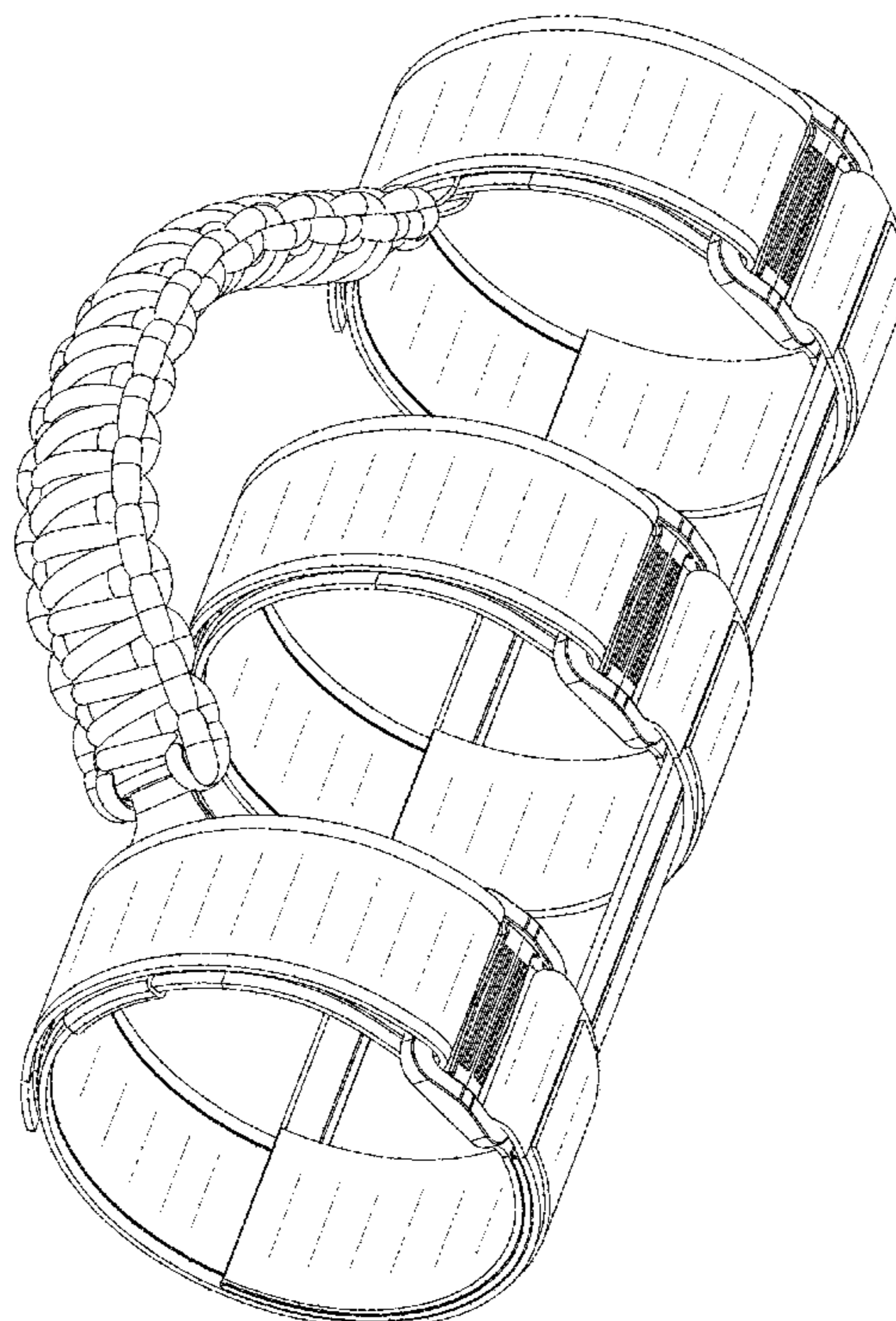
U.S. PATENT DOCUMENTS

3,554,417 A \* 1/1971 Yorty ..... A47G 25/1457  
294/149  
D233,317 S \* 10/1974 Catelli ..... D7/622  
4,709,954 A \* 12/1987 Beyda ..... A47G 25/1457  
294/142  
D314,736 S \* 2/1991 Ring ..... D12/114  
D333,072 S \* 2/1993 Hung ..... D7/622  
D370,384 S \* 6/1996 Shamis ..... D7/393  
D419,392 S \* 1/2000 Schlebusch ..... D7/619.1  
6,360,913 B1 \* 3/2002 Bruinsma ..... A47G 23/0216  
220/737  
D455,613 S \* 4/2002 Bruinsma ..... D7/622

**DESCRIPTION**

FIG. 1 is a bottom, front and right side perspective view of a handle showing my new design;  
FIG. 2 is a top, front and left side perspective view thereof;  
FIG. 3 is a front elevation view thereof;  
FIG. 4 is a rear elevation view thereof;  
FIG. 5 is a left side elevation view thereof;  
FIG. 6 is a right side elevation view thereof;  
FIG. 7 is a top plan view thereof; and,  
FIG. 8 is a bottom plan view thereof.

**1 Claim, 8 Drawing Sheets**



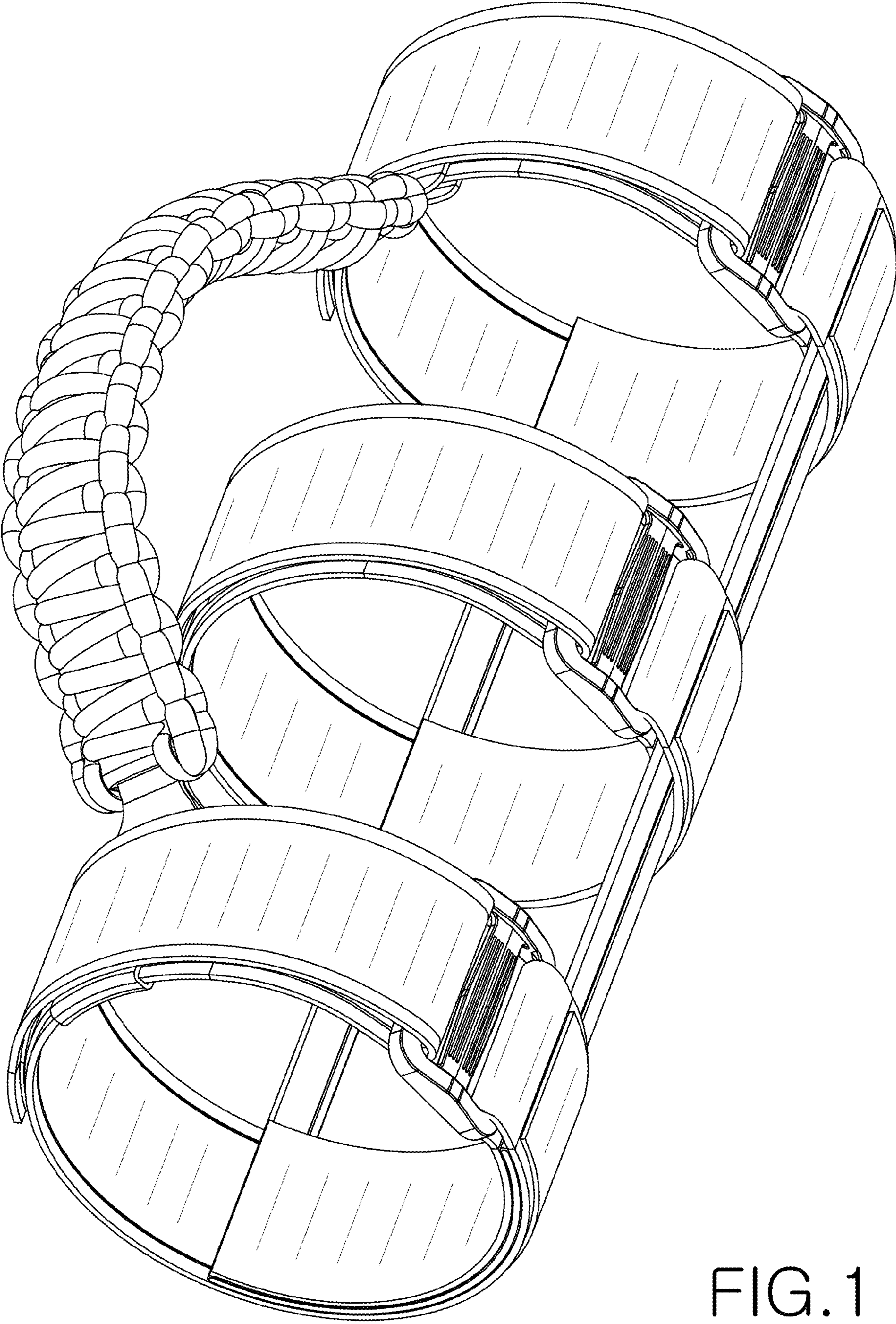


FIG. 1

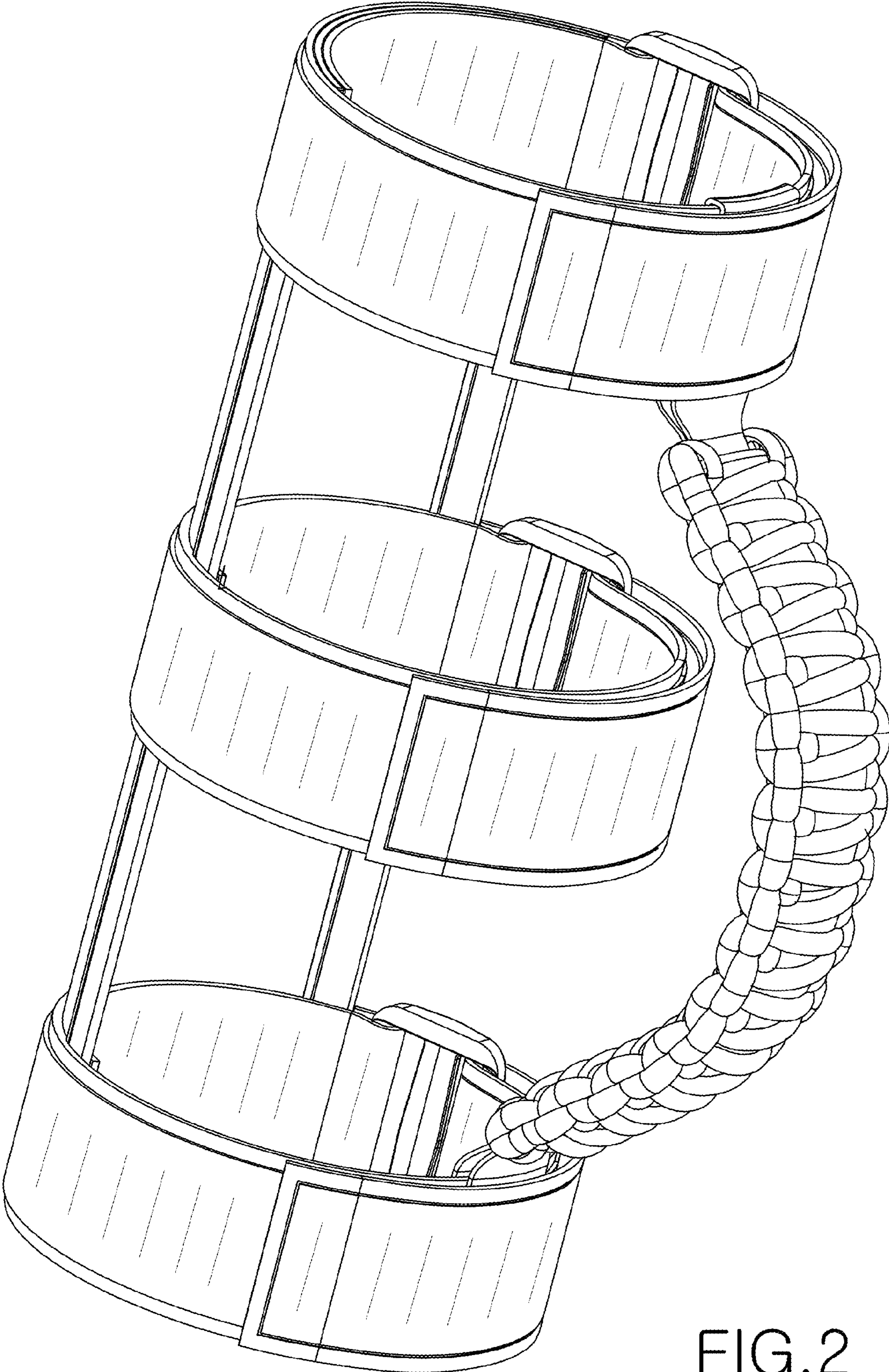


FIG.2

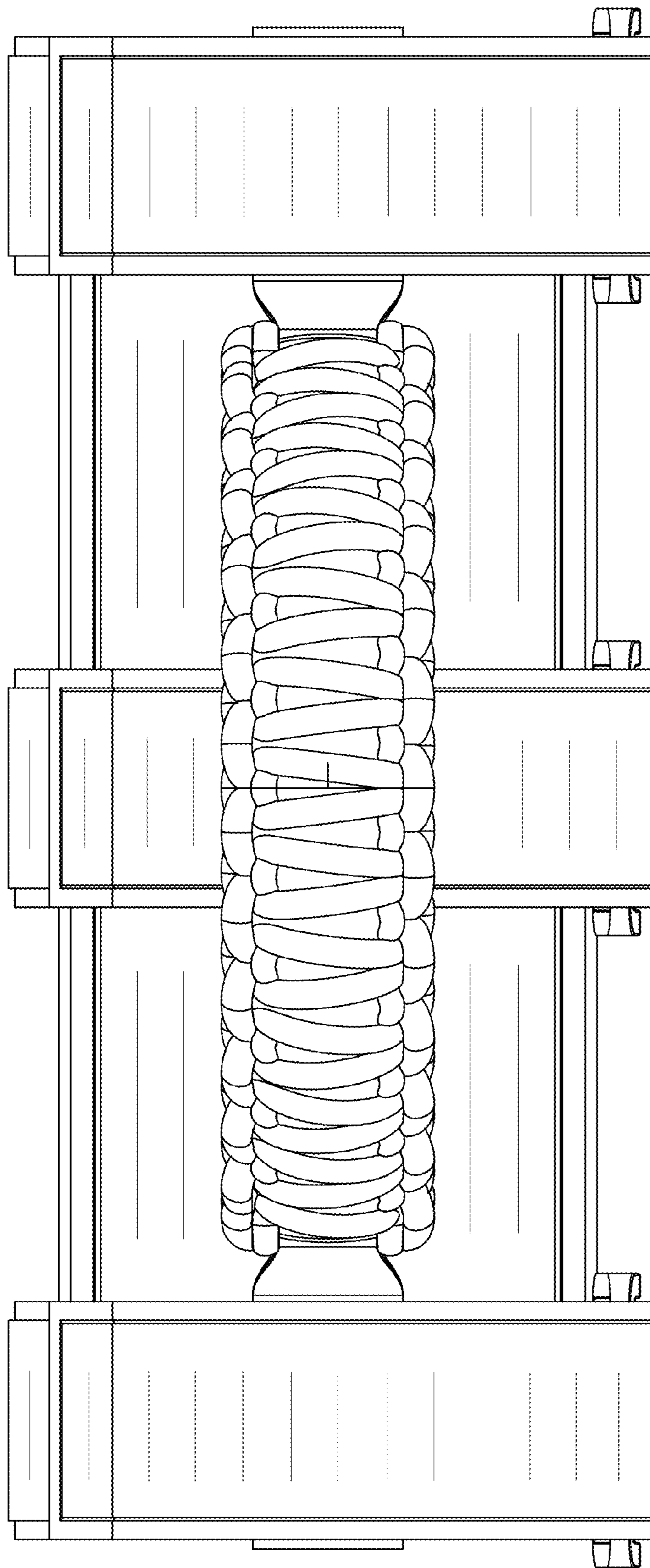


FIG. 3

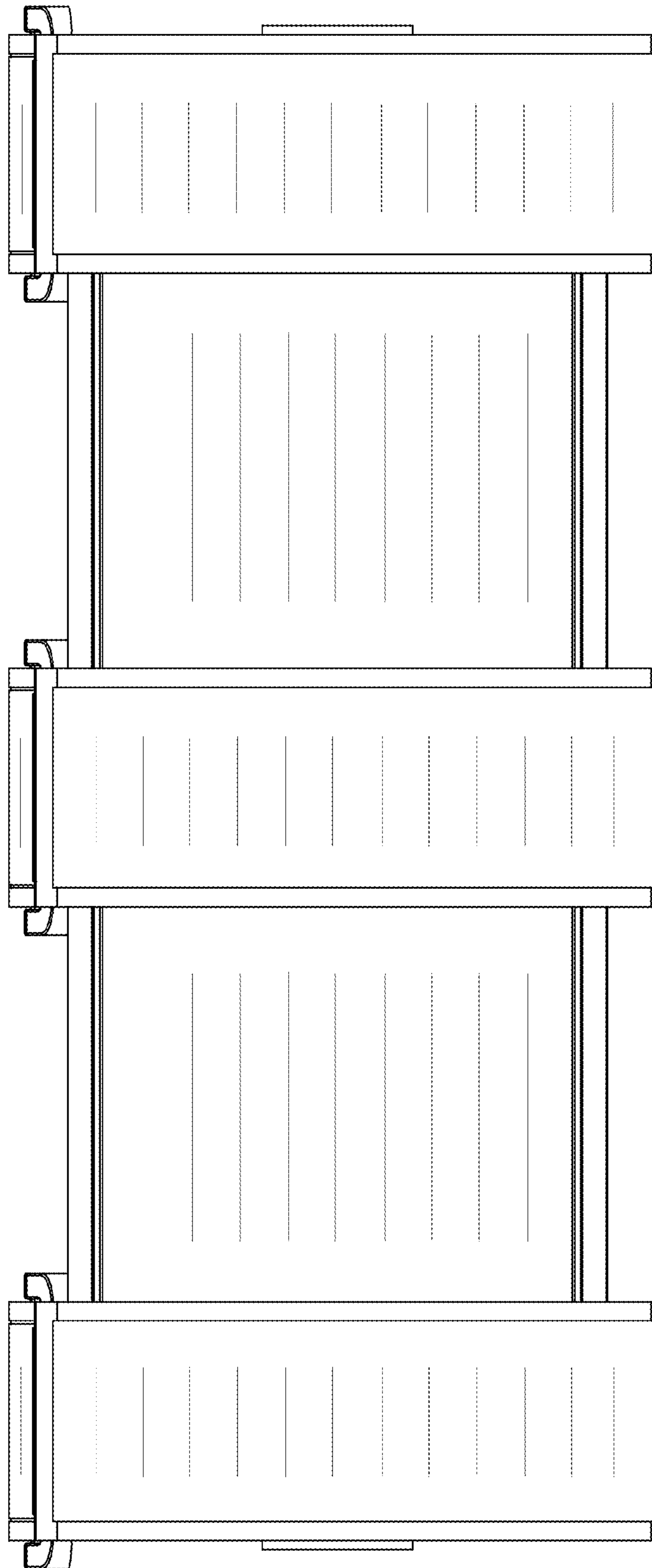


FIG.4

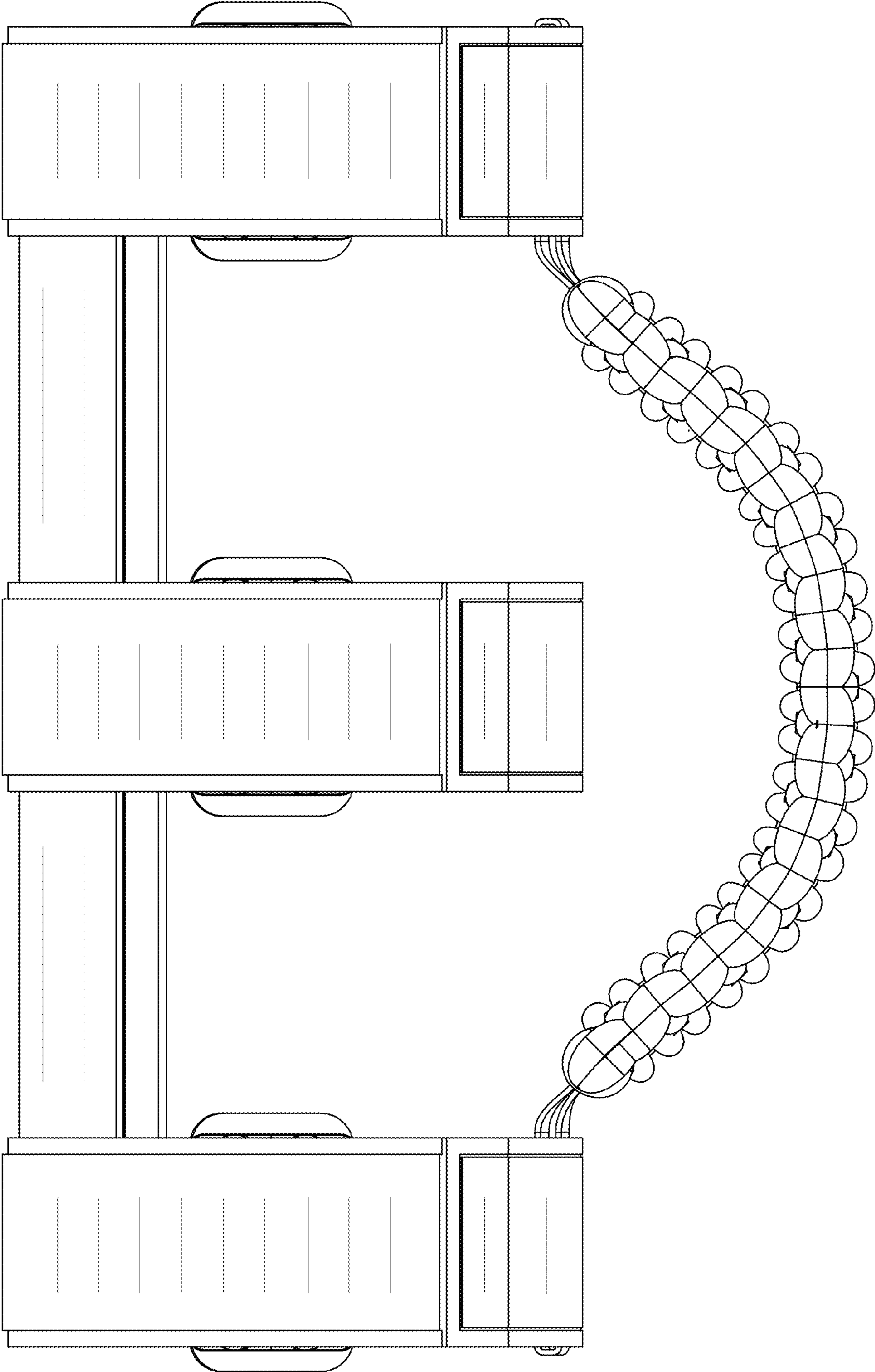


FIG.5

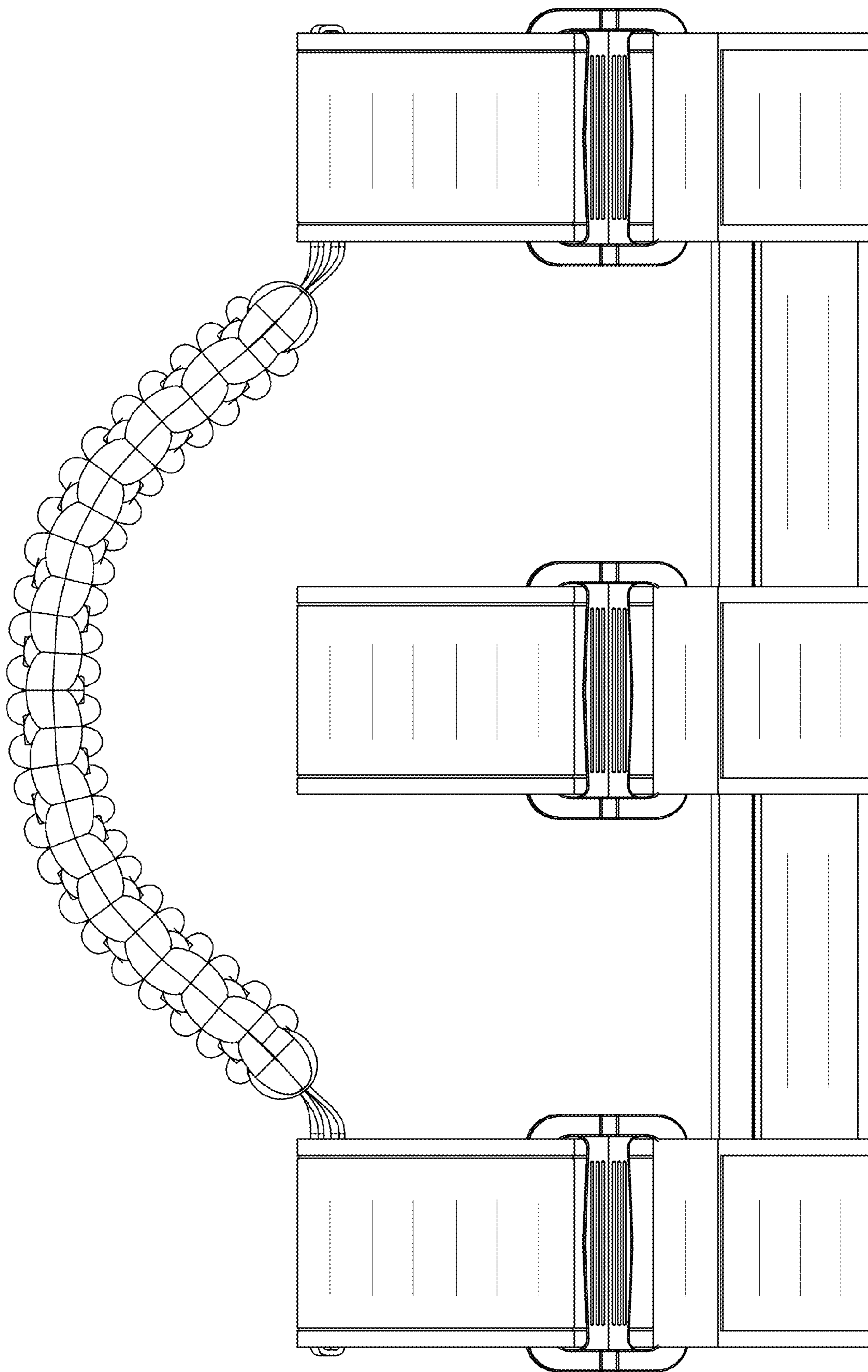


FIG.6

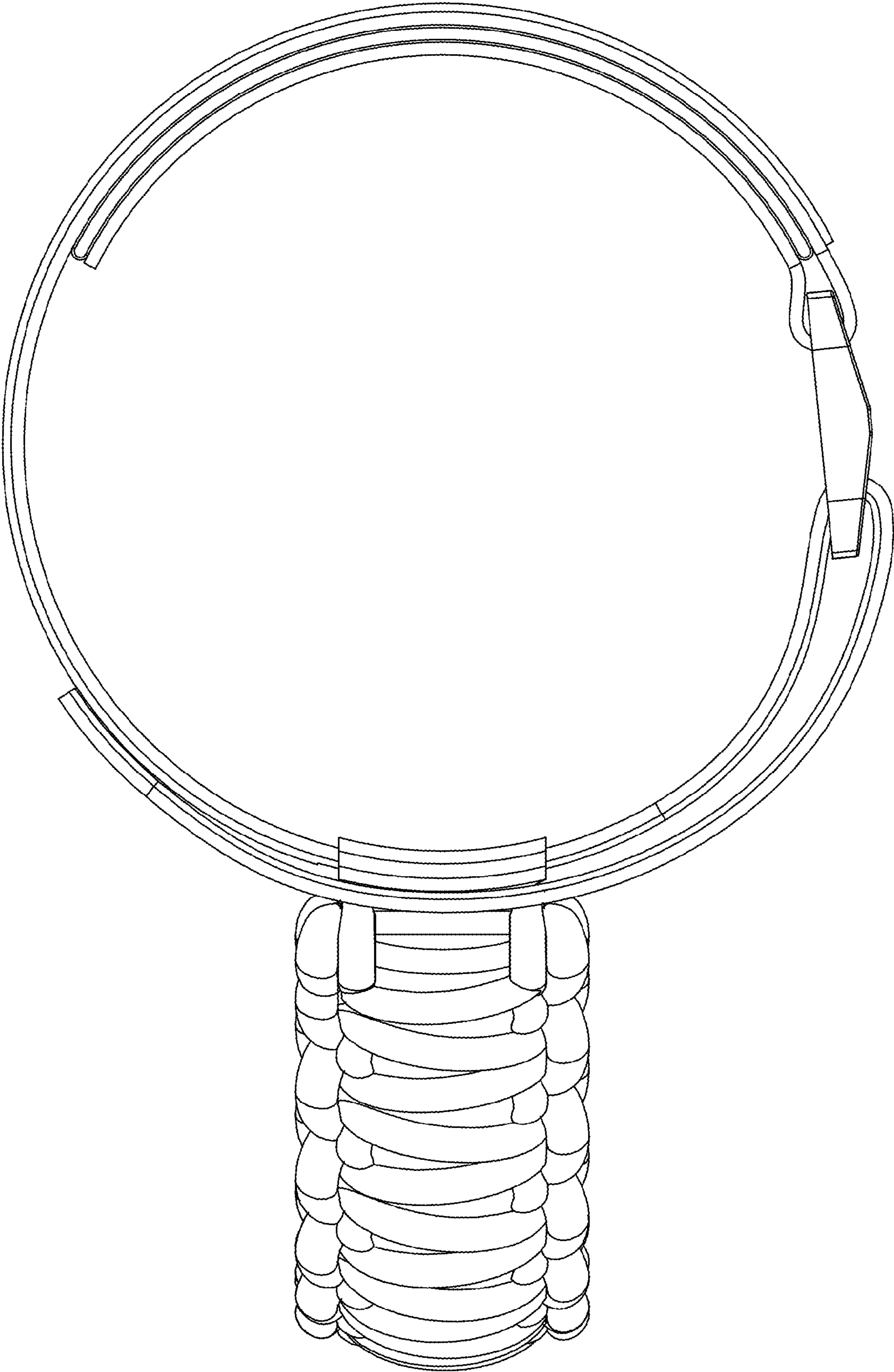


FIG. 7



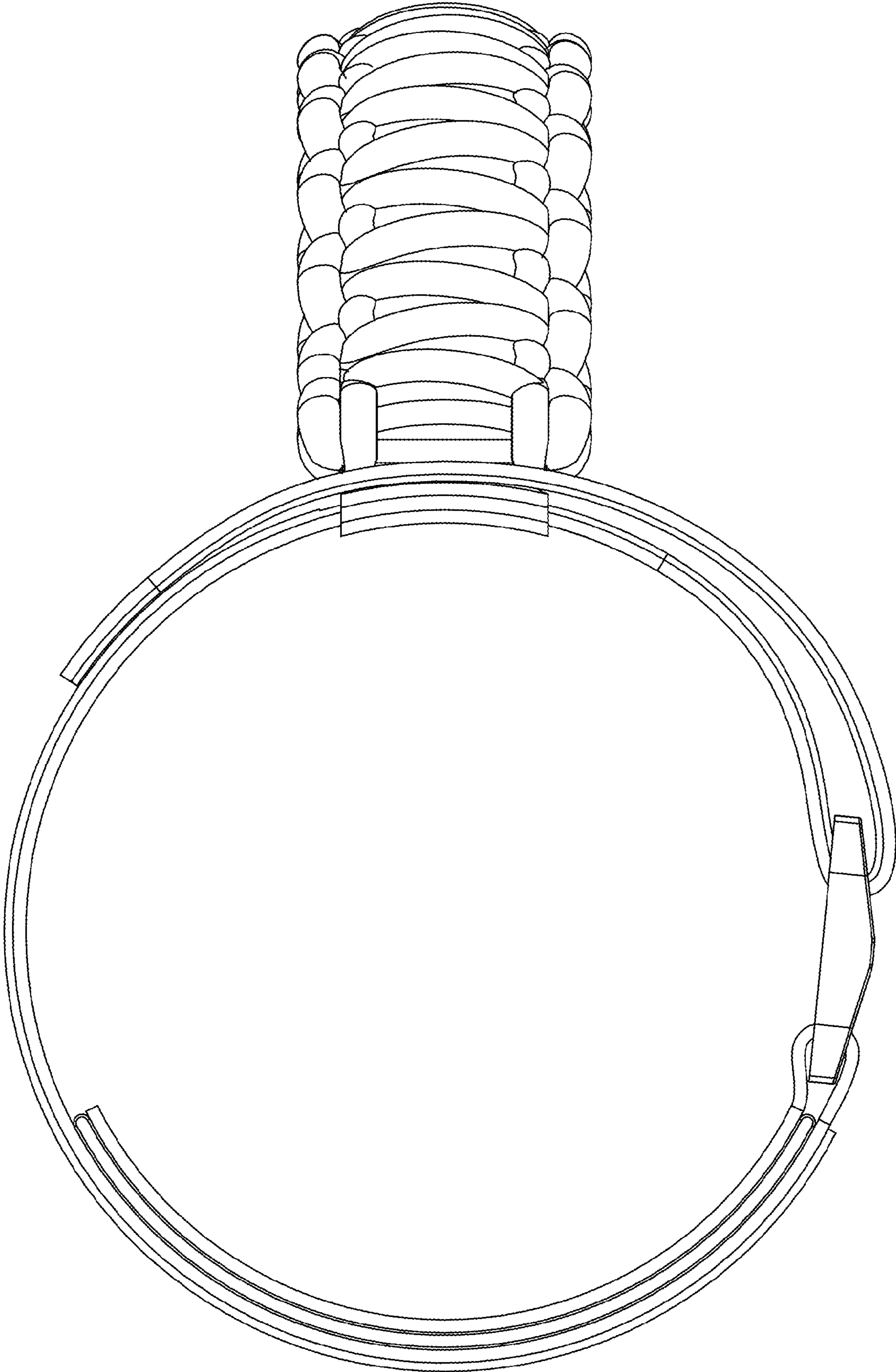


FIG. 8