



US00D980687S

(12) **United States Design Patent**
Fang

(10) **Patent No.:** **US D980,687 S**

(45) **Date of Patent:** **** Mar. 14, 2023**

(54) **POLE SAW**

(71) Applicant: **Chongqing Moma Technology Co., Ltd.**, Chongqing (CN)

(72) Inventor: **Jinhua Fang**, Sichuan (CN)

(73) Assignee: **Chongqing Moma Technology Co., Ltd.**, Chongqing (CN)

(**) Term: **15 Years**

(21) Appl. No.: **29/843,798**

(22) Filed: **Jun. 23, 2022**

(51) **LOC (14) Cl.** **08-03**

(52) **U.S. Cl.**
USPC **D8/8**

(58) **Field of Classification Search**
USPC D8/1, 7, 8, 9, 10, 11, 12, 499; D15/1, 17
CPC A01B 1/04; A01B 1/02; A01B 1/12; A01B 1/18; A01B 13/00; A01D 34/412; A01D 34/416; A01G 3/00; A01G 3/053; A01G 3/062; A01G 3/0535; B25F 5/02
See application file for complete search history.

(56) **References Cited**

U.S. PATENT DOCUMENTS

D444,684 S *	7/2001	Kimura	D8/9
D506,653 S *	6/2005	Elsworthy	D8/8
D528,382 S *	9/2006	Baskar	D8/8
D566,505 S *	4/2008	Gieske	D8/65
D623,487 S *	9/2010	Tinius	D8/8
D745,353 S *	12/2015	Pickett	D8/65
D799,917 S *	10/2017	Mehra	D8/8
D799,918 S *	10/2017	Mehra	D8/8
D824,738 S *	8/2018	Nilsson	D8/8
D874,891 S *	2/2020	Mehra	D8/8
D889,219 S *	7/2020	Mehra	D8/8
D897,169 S *	9/2020	Tinius	D8/8
D919,387 S *	5/2021	Tinius	D8/8
D920,060 S *	5/2021	Williams	D8/8

(Continued)

OTHER PUBLICATIONS

Cordless Pole Saw, by Imoumlive on Amazon.com. Dated Jun. 21, 2022. Found online [Sep. 21, 2022]. <https://www.amazon.ca/1%E3%80%91Cordless-Chainsaw-IMOURLIVE-Brushless-Lightweight/dp/B09YR1P1F6>.*

Primary Examiner — Eliza Z Harvey

Assistant Examiner — Kayla Marie Bennett

(74) *Attorney, Agent, or Firm* — ScienBiziP, P.C.

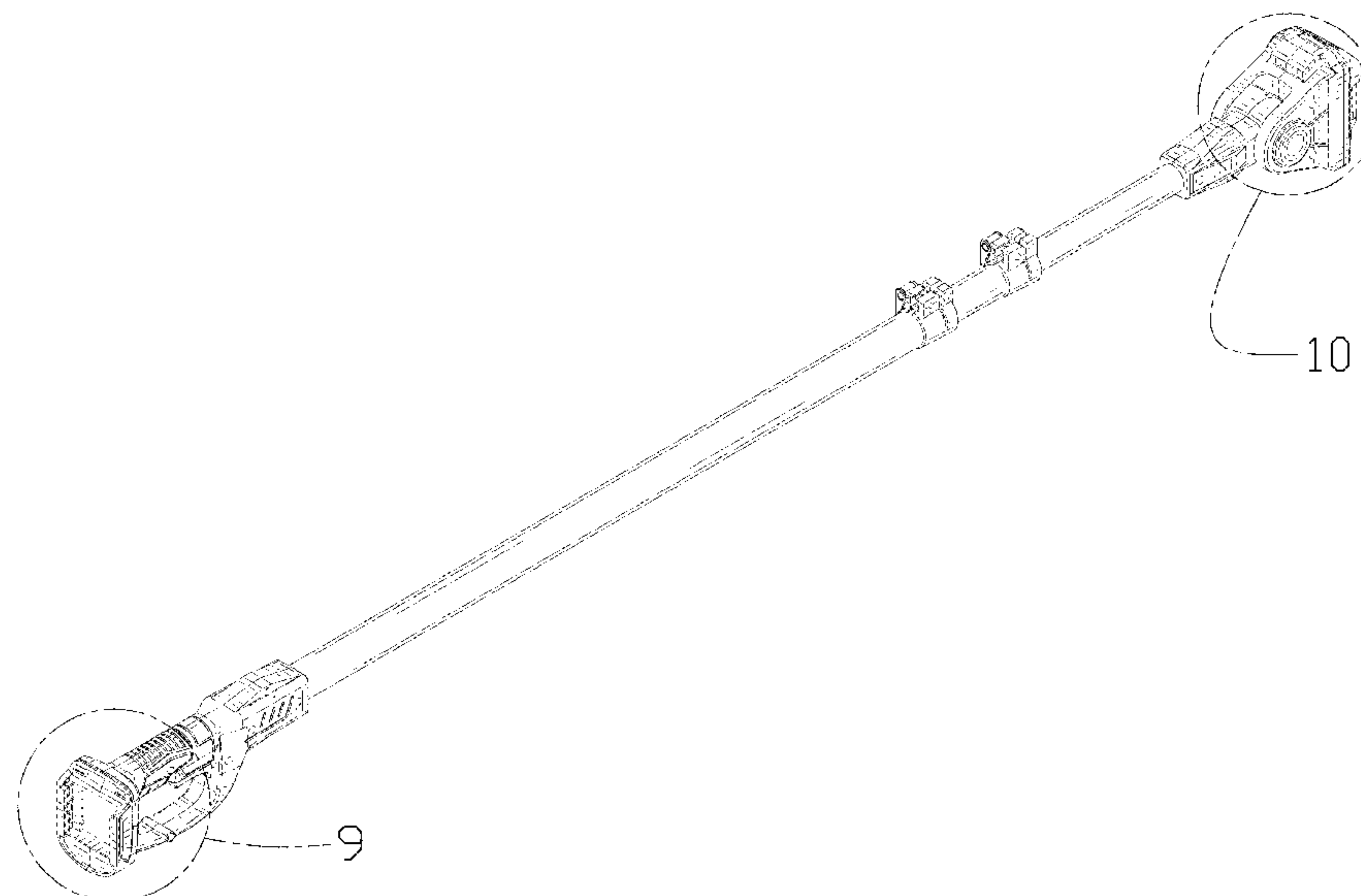
(57) **CLAIM**

The ornamental design for a pole saw, as shown and described.

DESCRIPTION

FIG. 1 is a front, left and top perspective view of a pole saw, showing my design.
 FIG. 2 is a rear, right and bottom perspective view thereof.
 FIG. 3 is a front elevation view thereof.
 FIG. 4 is a rear elevation view thereof.
 FIG. 5 is a left side elevation view thereof.
 FIG. 6 is a right side elevation view thereof.
 FIG. 7 is a top plan view thereof.
 FIG. 8 is a bottom plan view thereof.
 FIG. 9 is a partial enlarged view of an area labeled 9 in FIG. 1.
 FIG. 10 is a partial enlarged view of an area labeled 10 in FIG. 1.
 FIG. 11 is a partial enlarged view of an area labeled 11 in FIG. 2; and,
 FIG. 12 is a partial enlarged view of an area labeled 12 in FIG. 2.
 The broken lines shown in the drawings are included for the purpose of illustrating portions of the pole saw that form no part of the claimed design. In addition, the dot-dash broken lines in FIGS. 1-2 and 9-12 depict the boundaries of the enlargements that form no part of the claimed design.

1 Claim, 12 Drawing Sheets



(56)

References Cited

U.S. PATENT DOCUMENTS

D932,268 S * 10/2021 Fang D8/65
D942,236 S * 2/2022 Hotta D8/62
11,343,973 B2 * 5/2022 McCue A01G 3/086
D960,670 S * 8/2022 Dretzka D8/8
2002/0017023 A1 * 2/2002 Uhl B27B 17/00
30/123.4
2002/0017024 A1 * 2/2002 Uhl B27B 17/00
30/123.4
2002/0194739 A1 * 12/2002 Krane A01G 3/08
30/296.1
2006/0005673 A1 * 1/2006 Long B27B 17/0008
83/788
2014/0208599 A1 * 7/2014 Nagahama A01D 34/90
173/217
2016/0088792 A1 * 3/2016 Yamaoka A01D 34/81
30/276
2017/0066119 A1 * 3/2017 Fu B25F 5/008
2018/0177135 A1 * 6/2018 Fu A01G 3/053

* cited by examiner

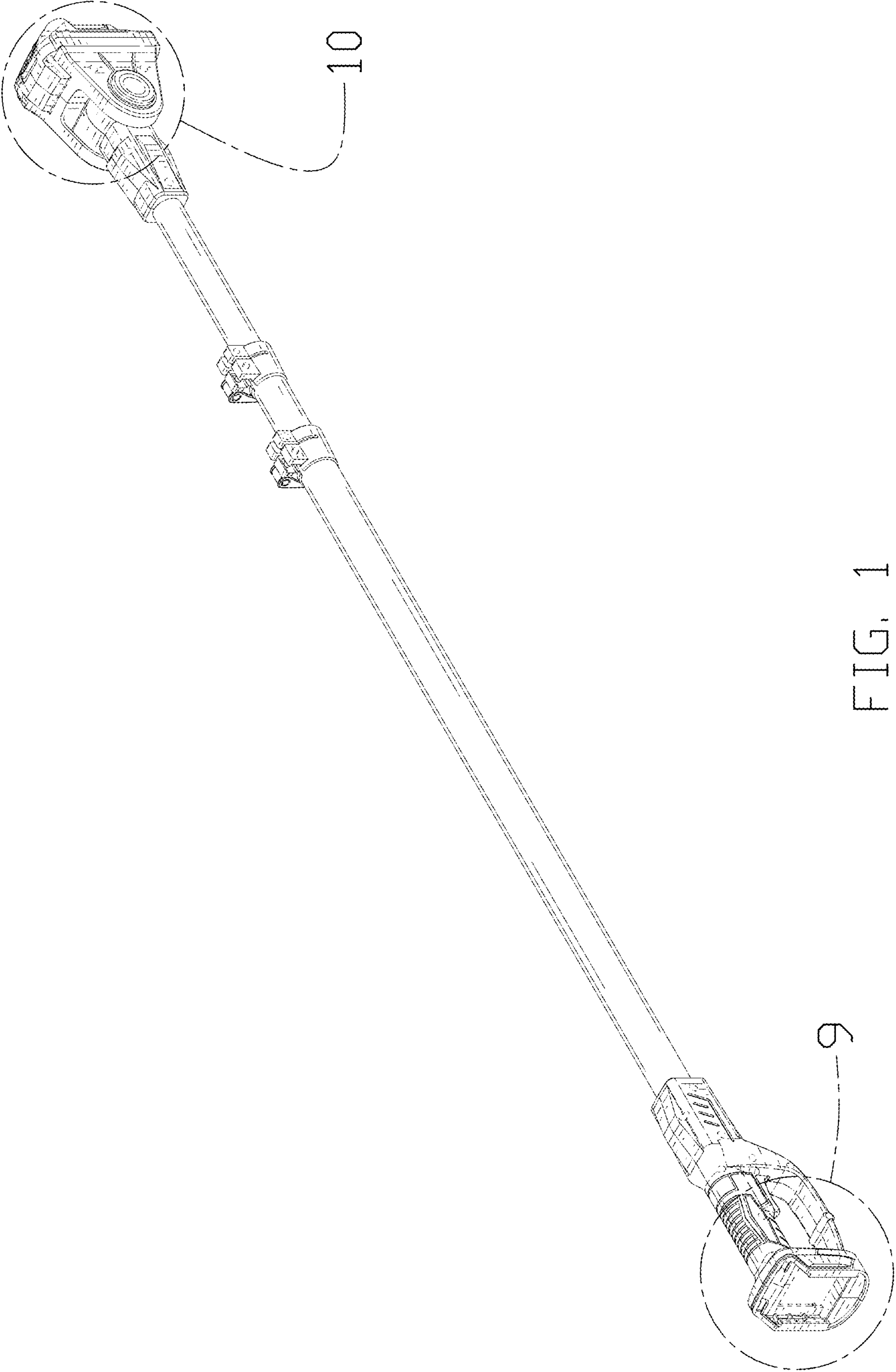


FIG. 1

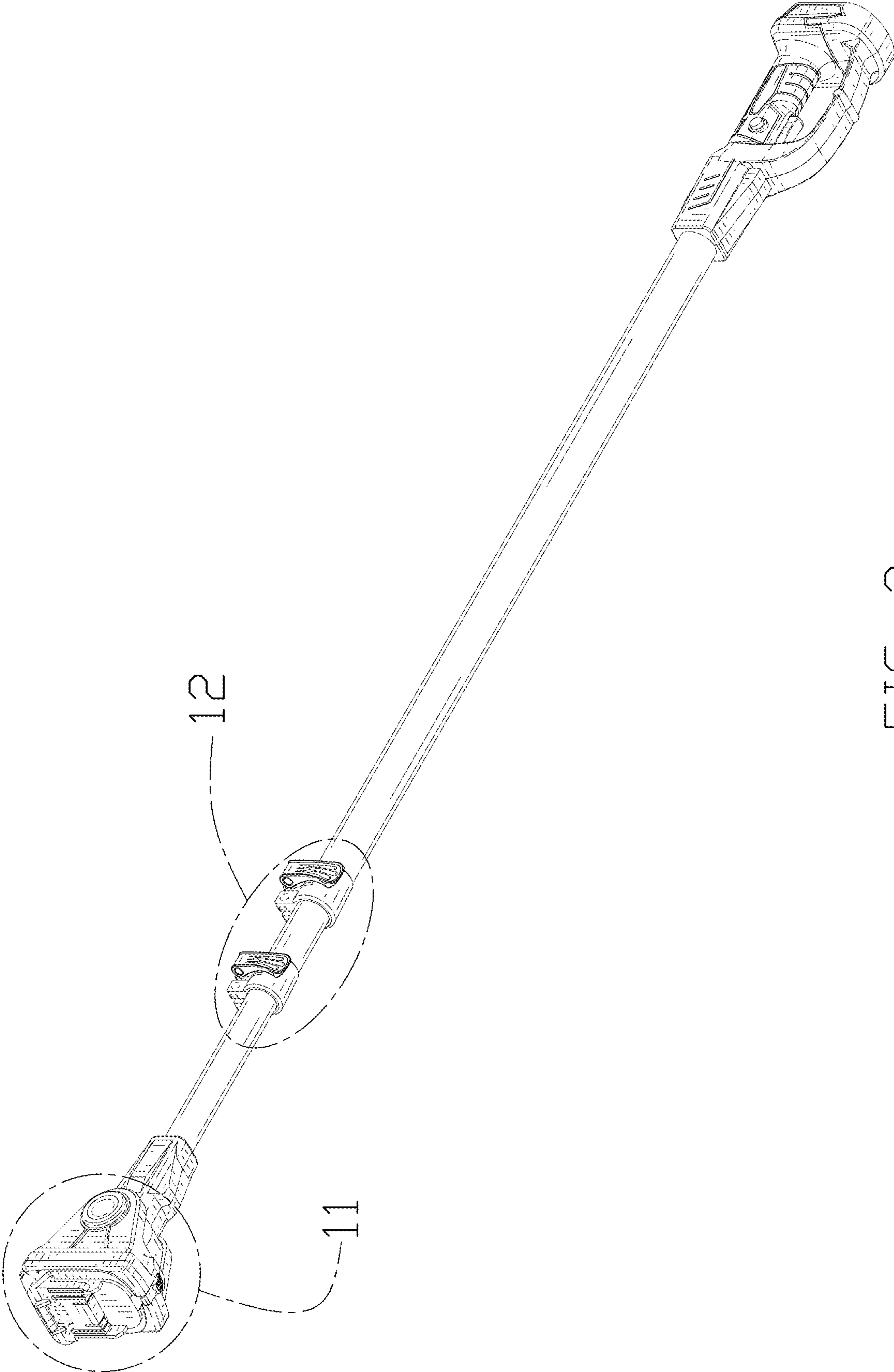


FIG. 2

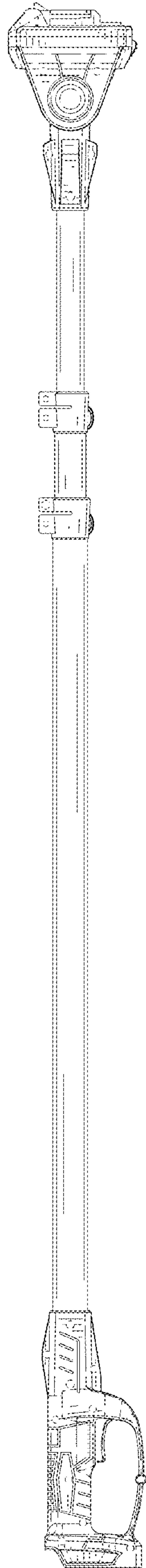


FIG. 3

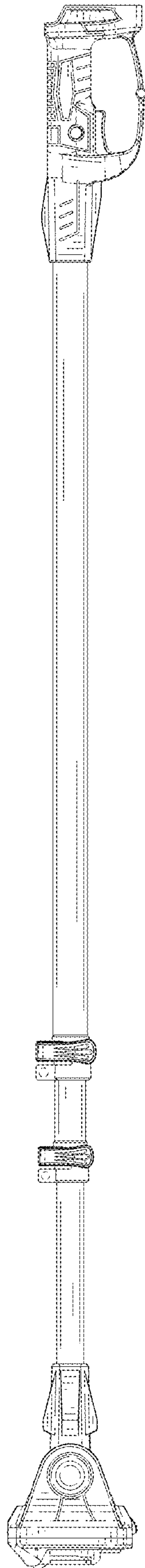


FIG. 4

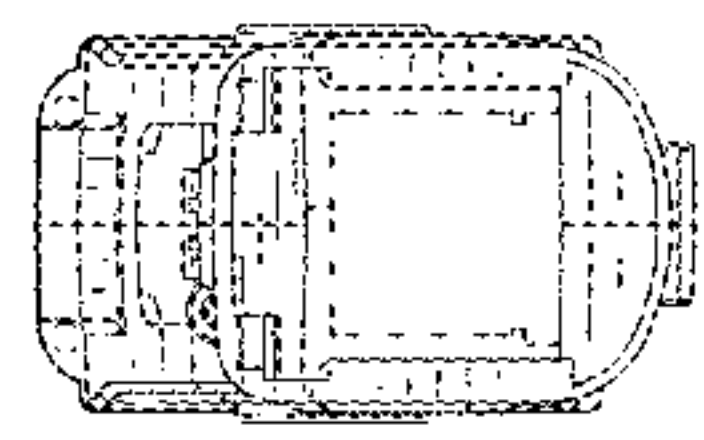


FIG. 5

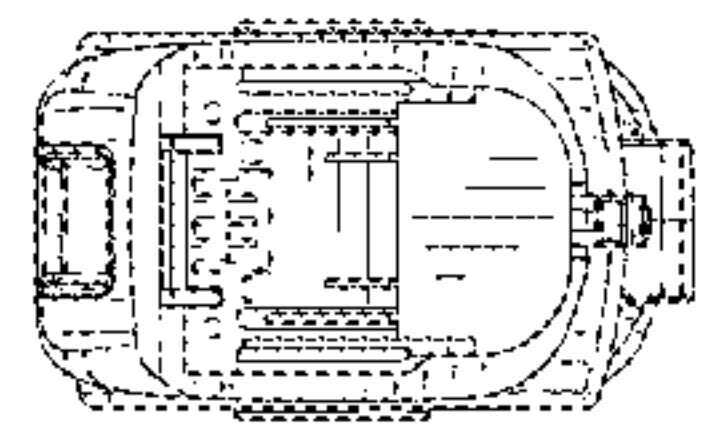


FIG. 6

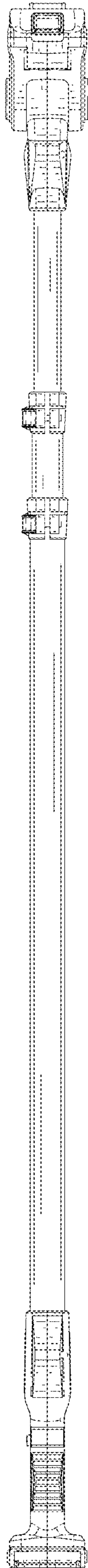


FIG. 7

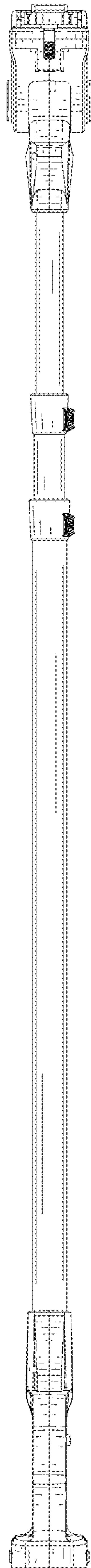


FIG. 8

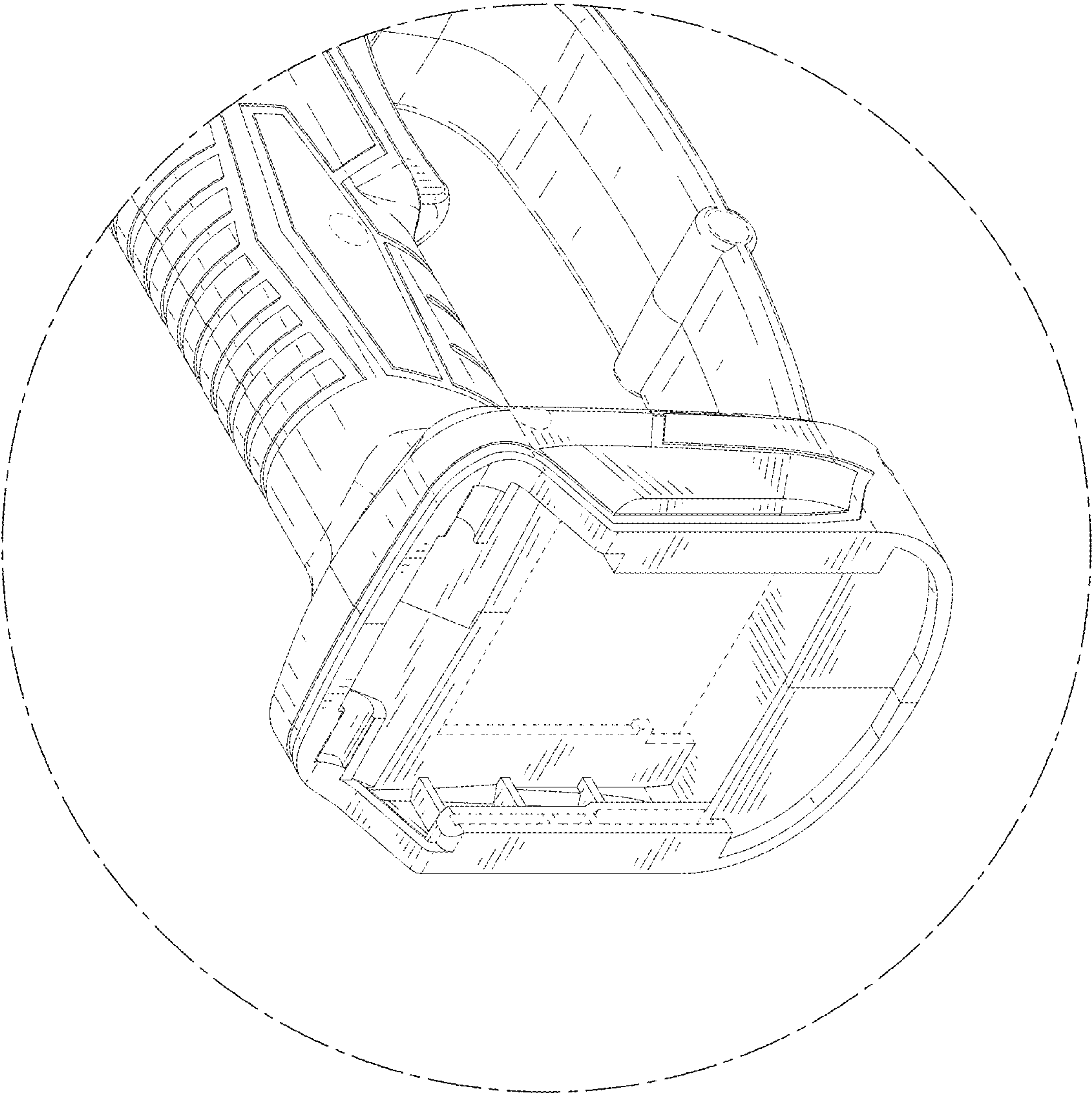


FIG. 9

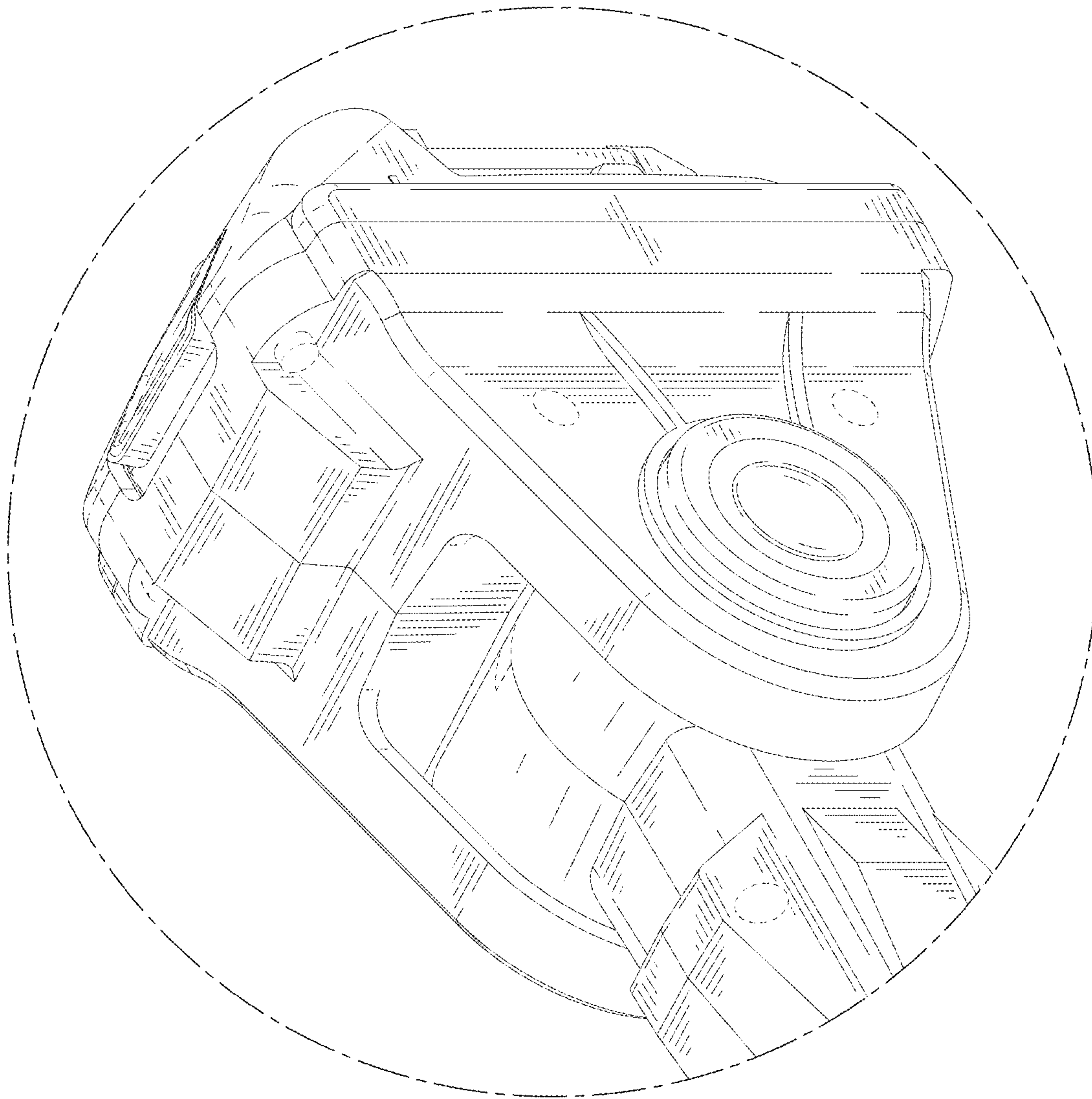


FIG. 10

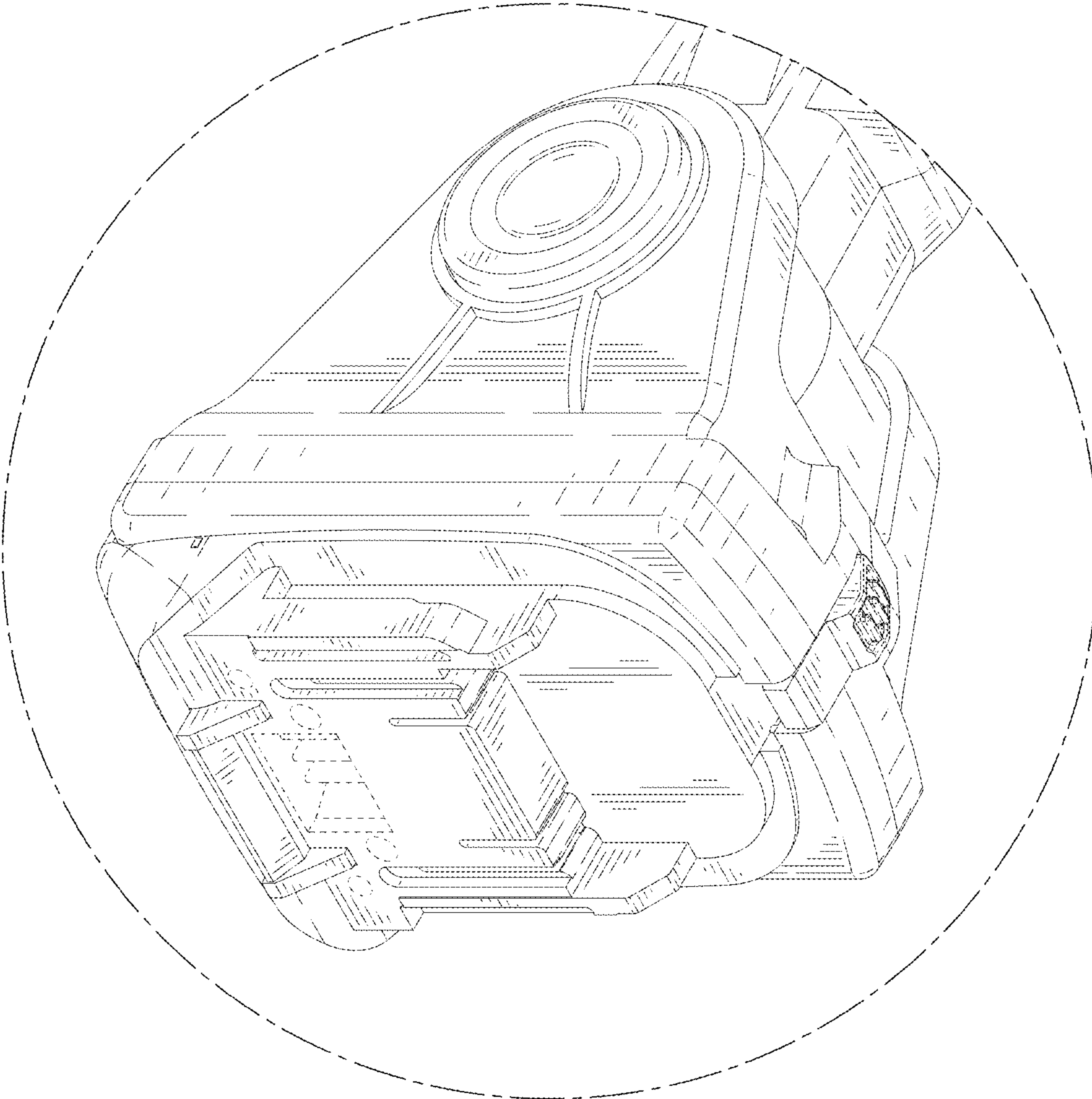


FIG. 11

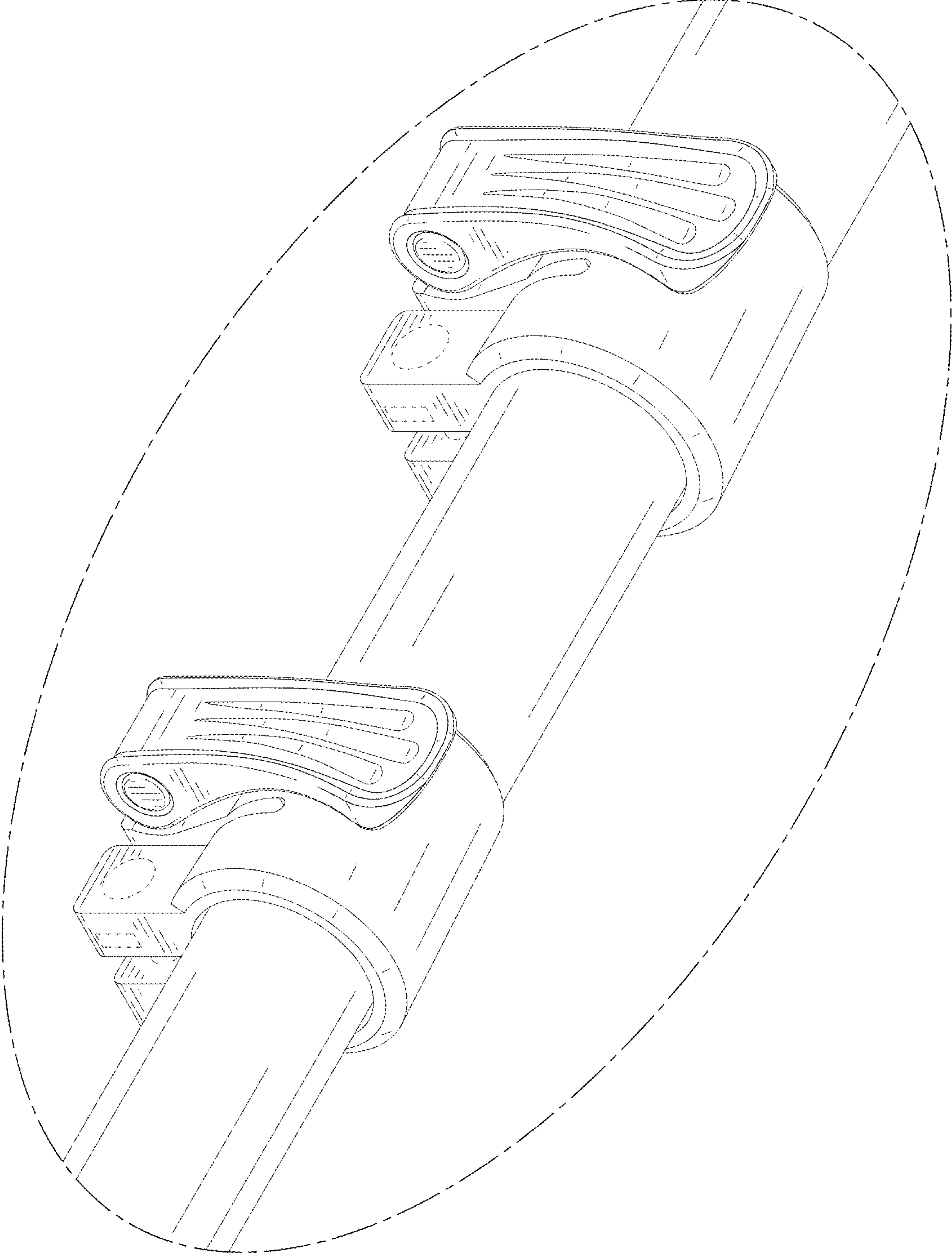


FIG. 12