



US00D980681S

(12) **United States Design Patent**  
**Mobley et al.**

(10) **Patent No.:** **US D980,681 S**  
(45) **Date of Patent:** **\*\* Mar. 14, 2023**

- (54) **BEVERAGE INSULATING CONTAINER**
- (71) Applicant: **GRILL RESCUE LLC**, Palm City, FL (US)
- (72) Inventors: **Scott Jacob Mobley**, Palm City, FL (US); **Anthony Tranchida**, Palm City, FL (US)
- (73) Assignee: **Grill Rescue LLC**, Palm City, FL (US)
- (\*\*) Term: **15 Years**
- (21) Appl. No.: **29/736,585**
- (22) Filed: **Jun. 1, 2020**

- (51) **LOC (14) Cl.** ..... **07-01**
- (52) **U.S. Cl.**  
USPC ..... **D7/608**
- (58) **Field of Classification Search**  
USPC ..... D7/605-608, 509-511, 391, 392, 392.1, D7/396.2; D9/438, 444, 455  
CPC ..... B65D 81/38; B65D 81/3876; B65D 81/3879; B65D 81/3881; B65D 81/3886; B65D 81/3888; B65D 81/389; B65D 81/3893; B65D 81/3895; B65D 81/3869; B65D 81/3897; B65D 81/3883; B65D 39/00; B65D 39/0035; A47G 23/0241; A47G 23/0216; A47G 23/0258; A47G 23/0266; F25D 3/08; F25D 31/007; F25D 31/008; F25D 31/002; F25D 31/006; A45C 11/20  
See application file for complete search history.

- (56) **References Cited**  
U.S. PATENT DOCUMENTS  
4,344,303 A \* 8/1982 Kelly, Jr. .... B29C 44/1242 383/110  
4,989,415 A \* 2/1991 Lombness ..... F25D 31/007 62/372

- 5,022,549 A \* 6/1991 Beaver ..... B60N 3/102 248/146
- 5,361,604 A \* 11/1994 Pier ..... F25D 31/007 62/530
- D376,959 S \* 12/1996 Norris ..... D7/619.1

(Continued)

*Primary Examiner* — Terry A Wallace  
(74) *Attorney, Agent, or Firm* — Kilpatrick Townsend & Stockton LLP

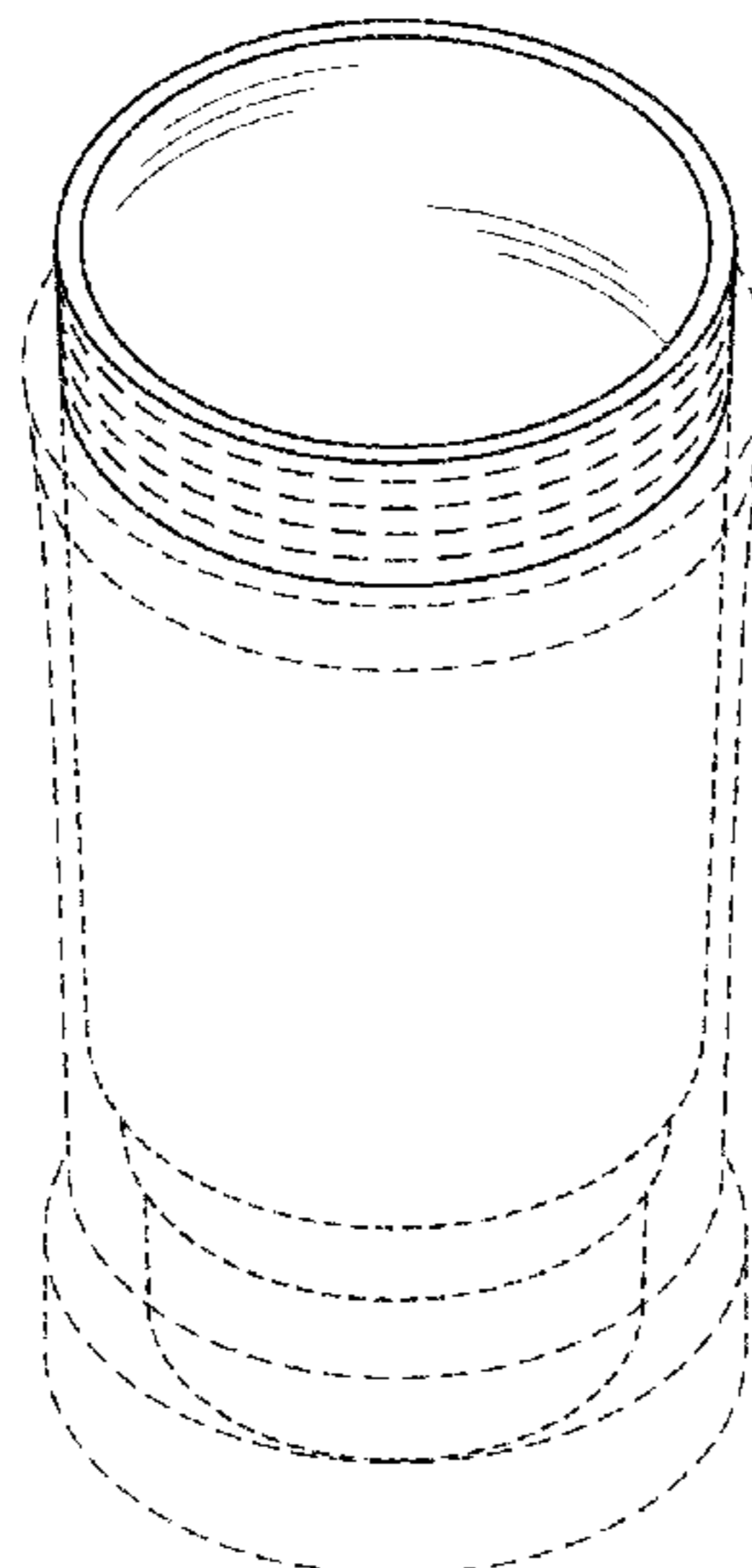
(57) **CLAIM**  
The ornamental design for a beverage insulating container, as shown and described.

**DESCRIPTION**

FIG. 1 is a perspective view of the beverage insulating container showing our new design;  
 FIG. 2 is another perspective view of the beverage insulating container shown in FIG. 1;  
 FIG. 3 is a top view of the beverage insulating container shown in FIG. 1;  
 FIG. 4 is a bottom view of the beverage insulating container shown in FIG. 1;  
 FIG. 5 is a sectional view of the beverage insulating container shown in FIG. 1 taken along line 5, 6, 7, 8-5, 5, 7, 8 in FIG. 3;  
 FIG. 6 is a sectional view of the beverage insulating container shown in FIG. 1 taken along line 5, 6, 7, 8-5, 5, 7, 8 in FIG. 3;  
 FIG. 7 is a sectional view of the beverage insulating container shown in FIG. 1 taken along line 5, 6, 7, 8-5, 5, 7, 8 in FIG. 3; and,  
 FIG. 8 is a sectional view of the beverage insulating container shown in FIG. 1 taken along line 5, 6, 7, 8-5, 5, 7, 8 in FIG. 3.

The broken lines in the drawings illustrate unclaimed features of the beverage insulating container and, in the case of FIGS. 5-7 also illustrate additional environment not shown in FIGS. 1-4 (particularly a long neck bottle in FIG. 5, a skinny can in FIG. 6, and a regular width can in FIG. 7), all of which form no part of the claimed design.

**1 Claim, 7 Drawing Sheets**



(56)

**References Cited**

## U.S. PATENT DOCUMENTS

5,858,263 A \* 1/1999 Geary ..... B65D 81/383  
249/126  
6,419,108 B1 \* 7/2002 Toida ..... A47G 19/2288  
220/592.27  
6,604,649 B1 \* 8/2003 Campi ..... B65D 81/3886  
220/592.17  
D509,707 S \* 9/2005 Tien ..... D7/510  
D513,939 S \* 1/2006 Leonzo ..... D9/503  
D558,523 S \* 1/2008 Bhavnani ..... D7/510  
D585,245 S \* 1/2009 Brouillette ..... D7/624.2  
D713,686 S \* 9/2014 Eyal ..... D7/509  
D808,733 S \* 1/2018 Spivey ..... D7/624.2  
D820,045 S \* 6/2018 Harrington, III ..... D7/511  
D927,934 S \* 8/2021 Jianyi ..... D7/624.2  
2005/0211714 A1 \* 9/2005 Kazyaka ..... B60N 3/107  
220/737  
2008/0186697 A1 \* 8/2008 Camarota ..... B60N 3/101  
362/101  
2014/0209621 A1 \* 7/2014 Irish ..... B65D 21/083  
220/739  
2015/0096324 A1 \* 4/2015 Marchiori ..... F25D 3/08  
62/457.4  
2015/0201779 A1 \* 7/2015 Tittel ..... B65D 21/086  
220/737  
2017/0273484 A1 \* 9/2017 Spivey ..... B65D 81/3872  
2018/0289186 A1 \* 10/2018 Heiberger ..... B65D 47/10  
2018/0310766 A1 \* 11/2018 Lapsker ..... A47J 41/02  
2018/0332987 A1 \* 11/2018 Lin ..... B65D 43/16  
2018/0335247 A1 \* 11/2018 Huisman ..... F25D 23/06

\* cited by examiner

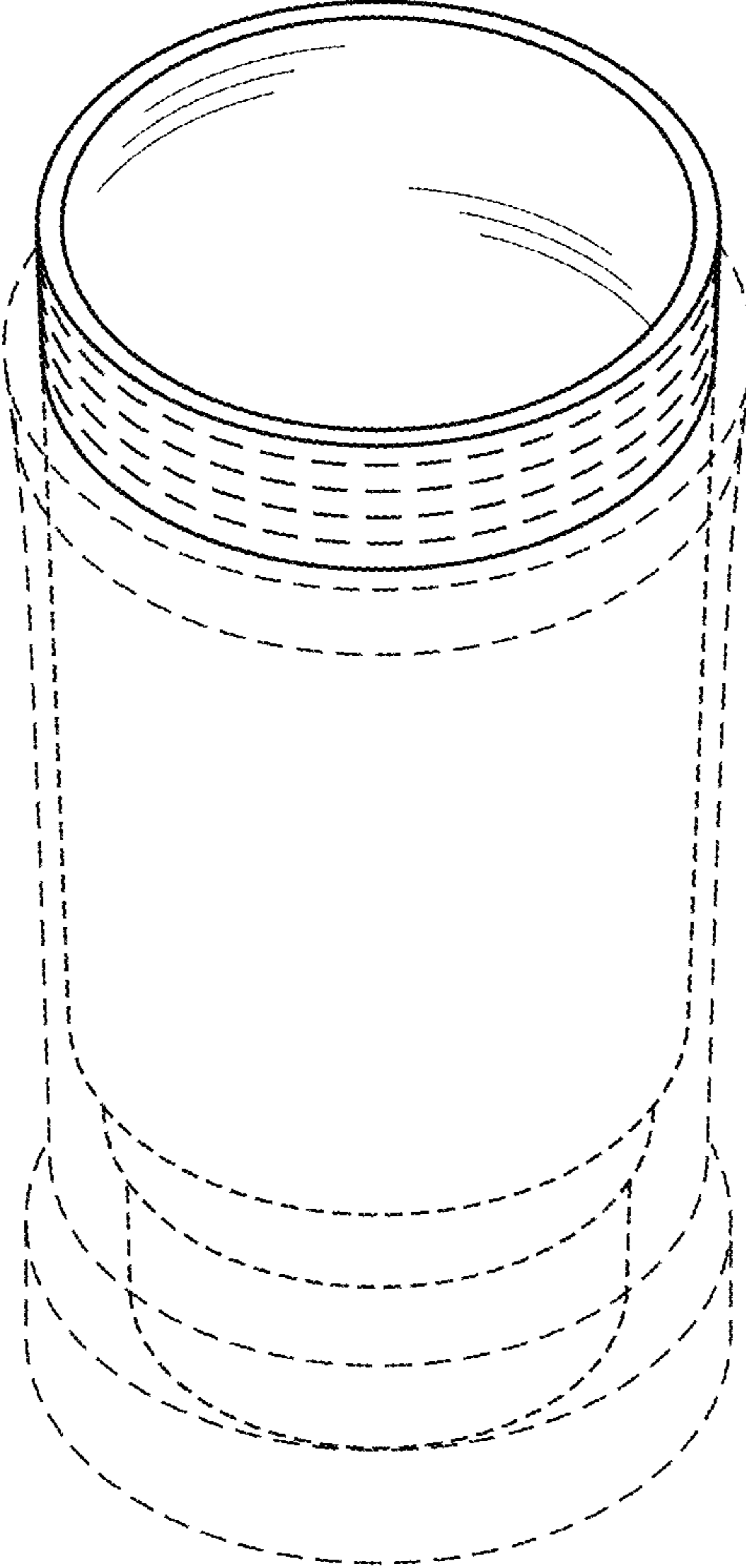


FIG. 1

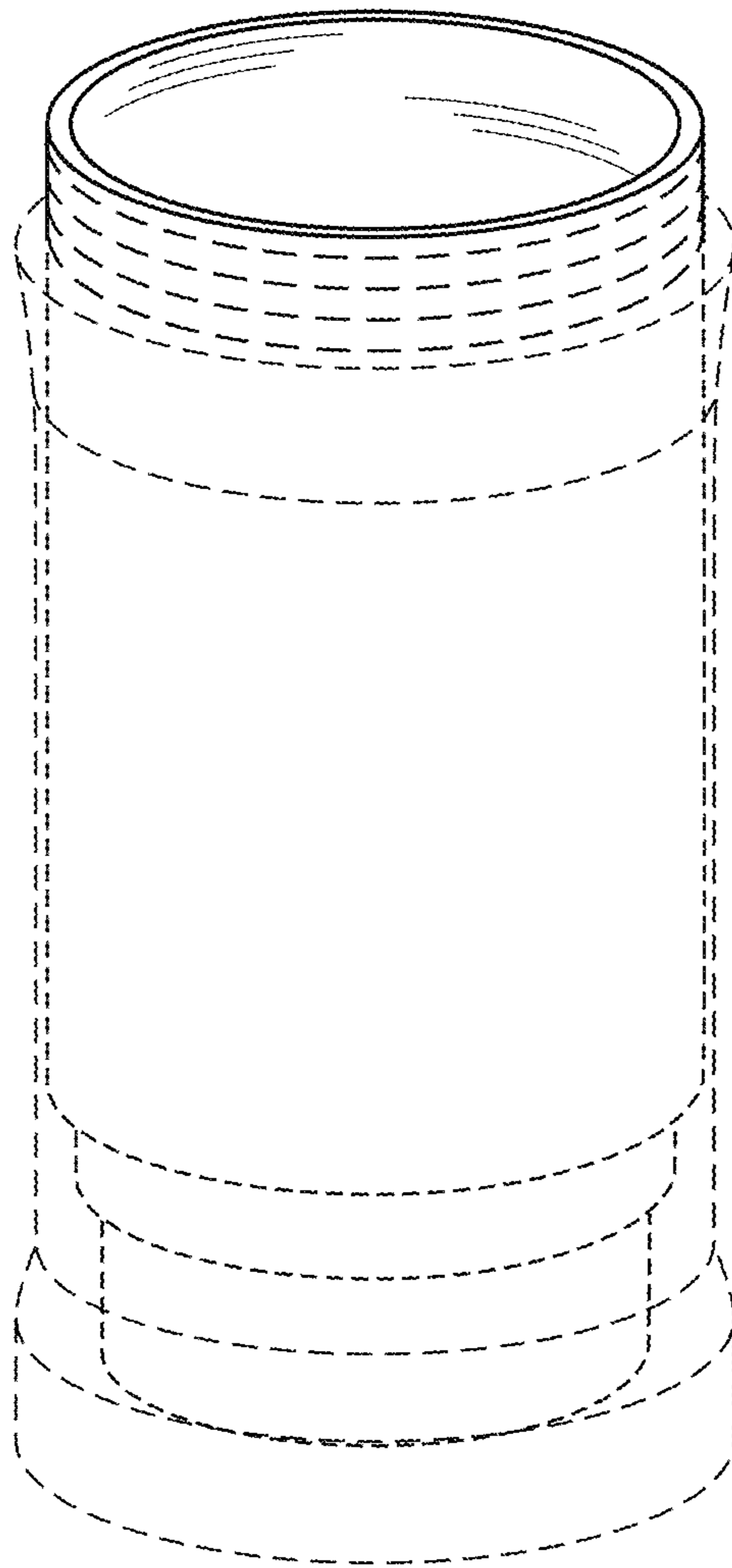


FIG. 2

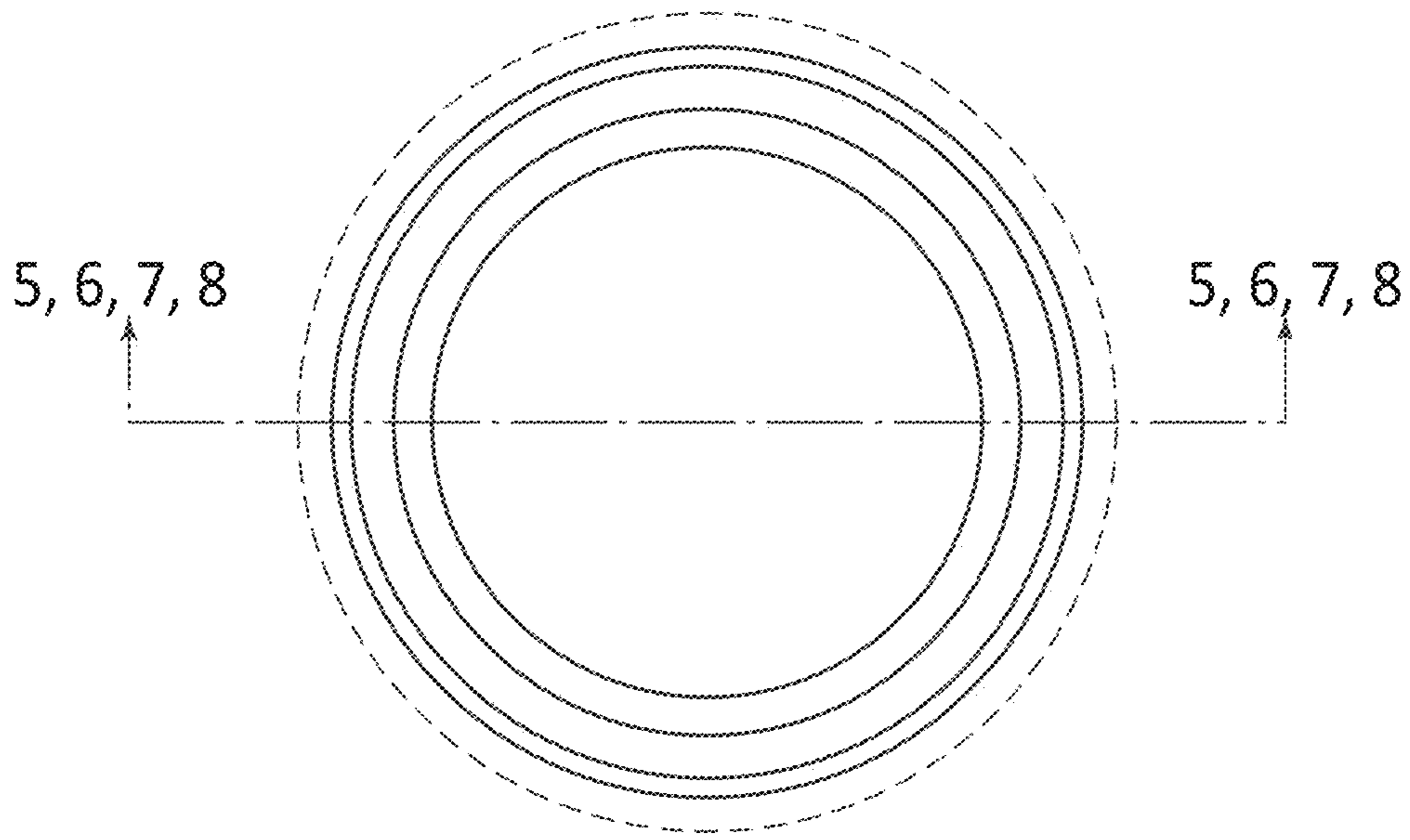


FIG. 3

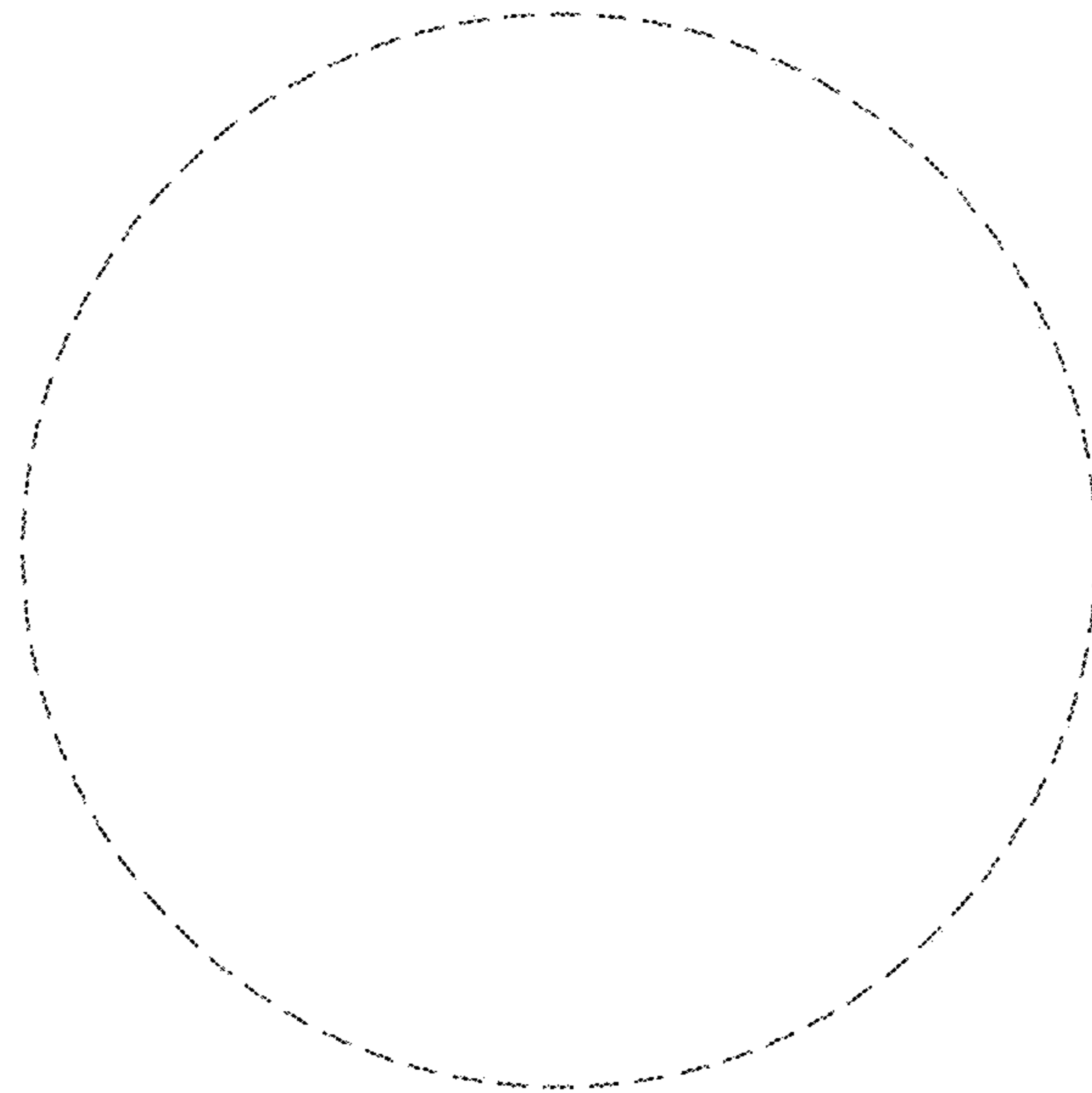


FIG. 4

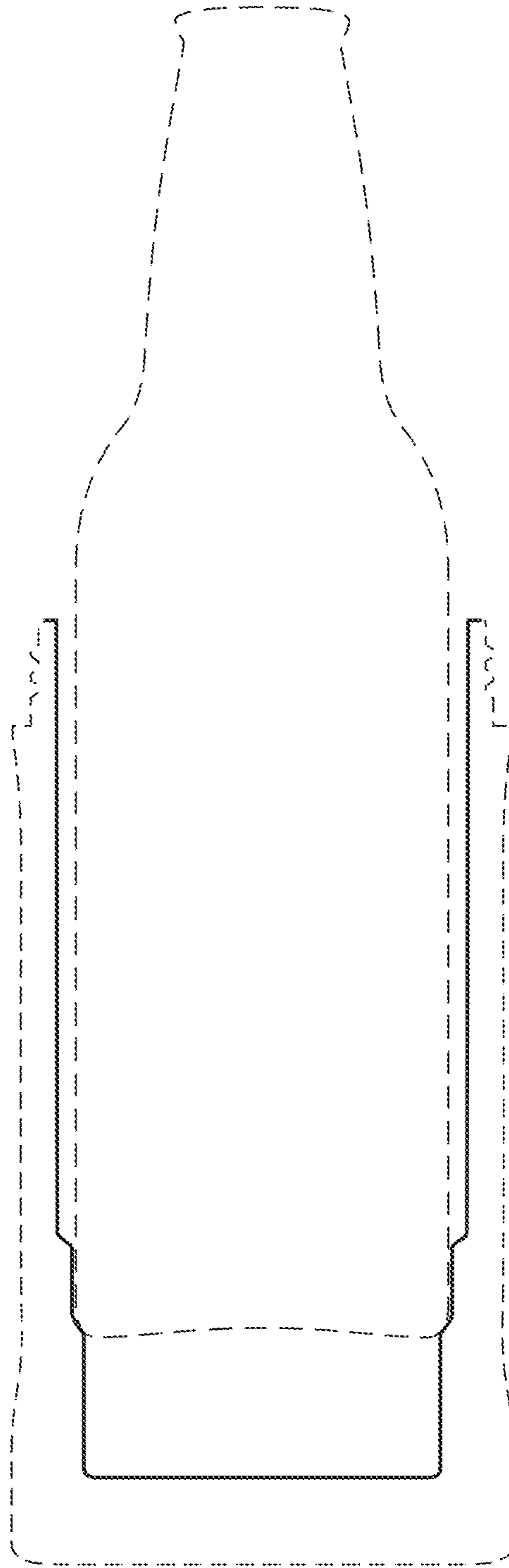


FIG. 5

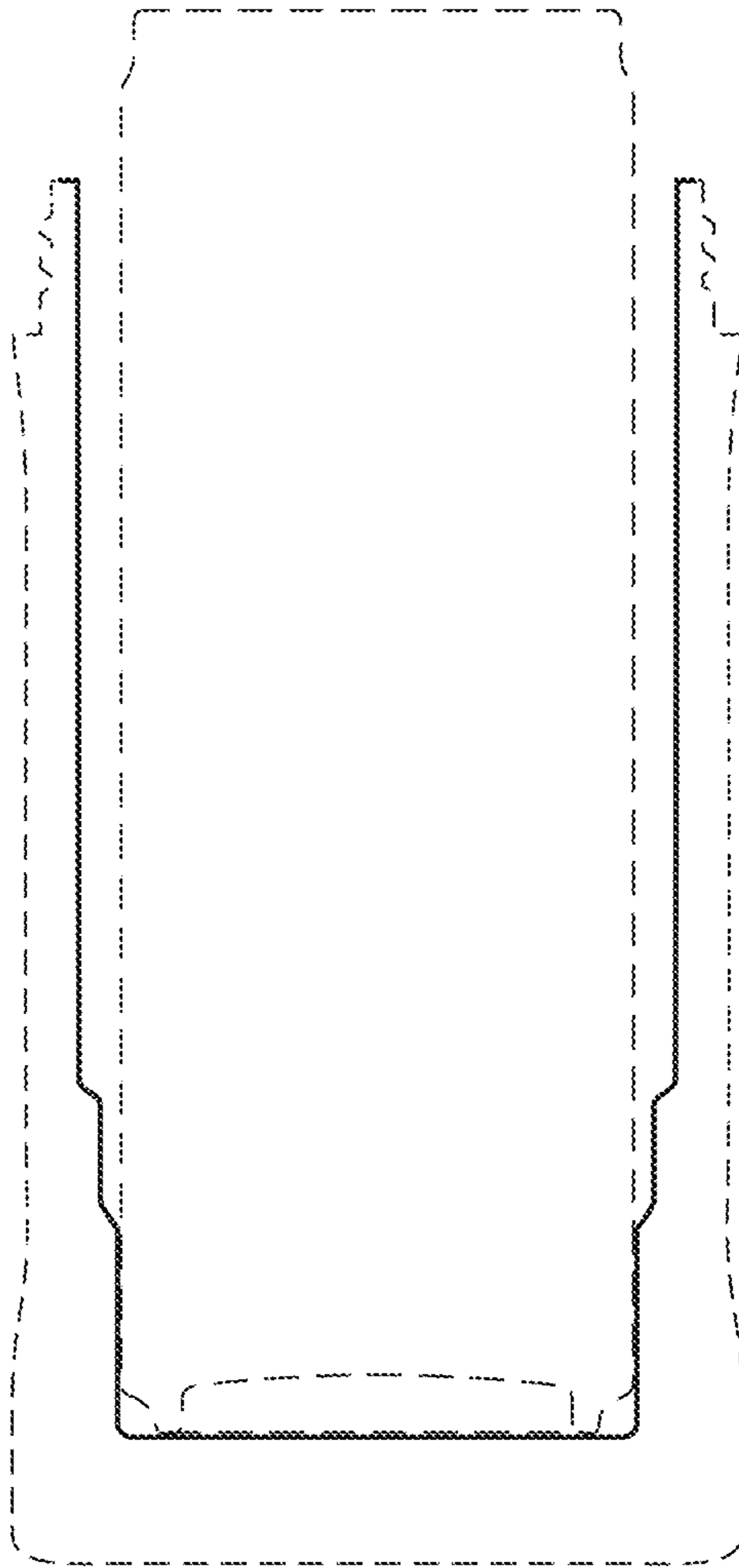


FIG. 6

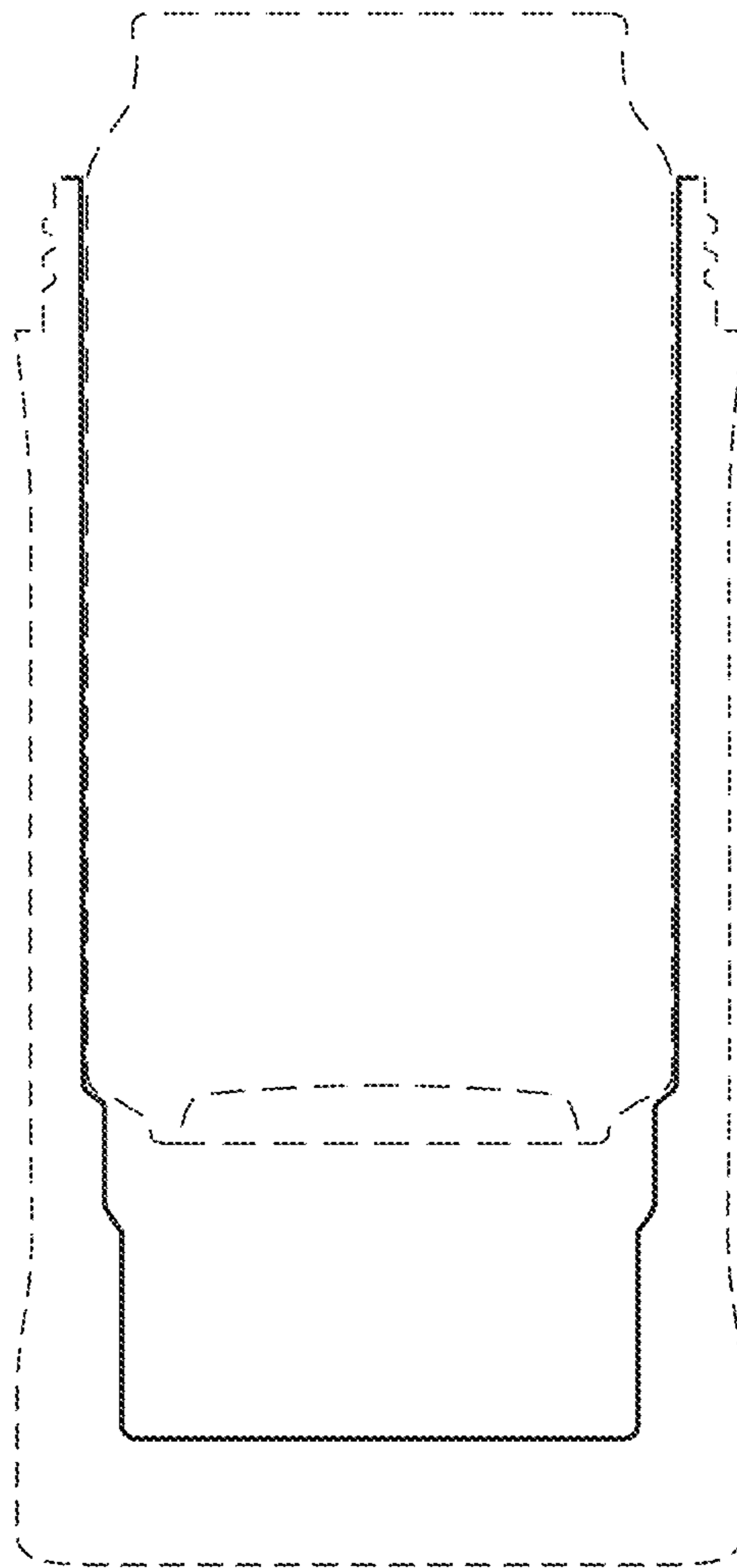


FIG. 7



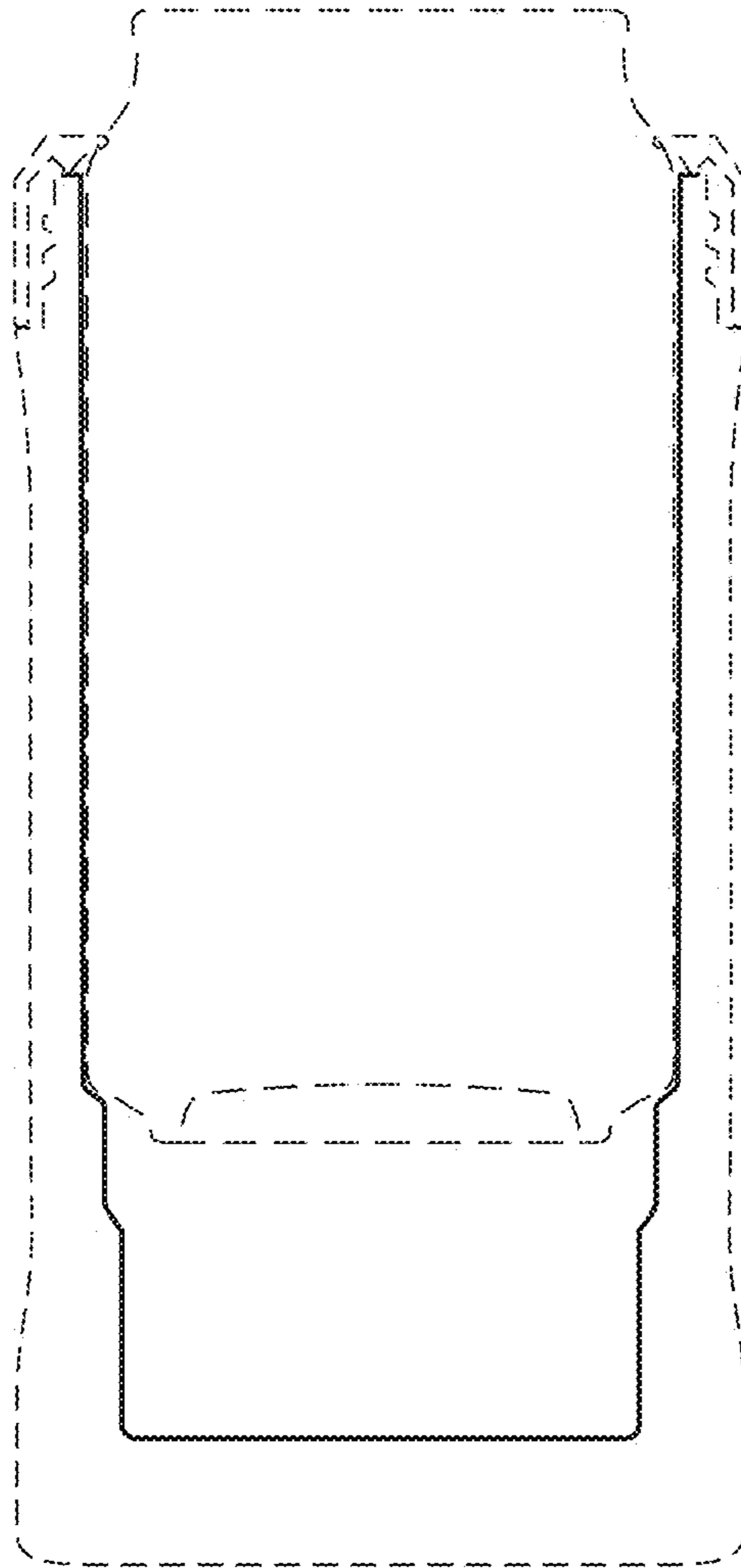


FIG. 8