



US00D980680S

(12) **United States Design Patent**  
**Hartley**

(10) **Patent No.:** **US D980,680 S**  
(45) **Date of Patent:** **\*\* Mar. 14, 2023**

- (54) **POT LID HOLDER**
- (71) Applicant: **Barton Fields, LLC**, Columbia, SC (US)
- (72) Inventor: **Douglas Hartley**, Columbia, SC (US)
- (73) Assignee: **Barton Fields, LLC**, Columbia, SC (US)
- (\*\*) Term: **15 Years**
- (21) Appl. No.: **29/751,355**
- (22) Filed: **Sep. 21, 2020**
- (51) **LOC (14) Cl.** ..... **07-99**
- (52) **U.S. Cl.**  
USPC ..... **D7/601**
- (58) **Field of Classification Search**  
USPC ..... D7/387, 504, 538, 540-543, 545-549, D7/553.1-553.3, 554.3-555, 601-604, D7/619.1-623, 628-631, 701-708.1, 709; D3/202, 304, 306, 315, 316; D6/513, D6/525, 566, 683.1; D8/349, 381; D9/455  
CPC ..... A47B 55/02; A47B 77/14; A47F 7/0064; A47J 36/12; A47J 47/16  
See application file for complete search history.

(56) **References Cited**

**U.S. PATENT DOCUMENTS**

- D378,265 S \* 3/1997 Vicard ..... D7/619.1
- 5,683,010 A \* 11/1997 Boyajian, Jr. .... A47J 36/12  
220/744
- D398,483 S \* 9/1998 Stocco ..... D7/601
- D429,899 S \* 8/2000 Schwartz ..... D6/513

(Continued)

**OTHER PUBLICATIONS**

Chenyesun 4 Pairs of Pot Lid Organizer, first available Feb. 18, 2022, Amazon, [online], [site visited May 2, 2022], Available from

internet URL: <https://www.amazon.com/chenyesun-Organizer-Stainless-Adjustable-Adhesive/dp/B09SSV23TD> (Year: 2022).\*

(Continued)

*Primary Examiner* — Mary Ann Calabrese  
*Assistant Examiner* — Natalya M Rapundalo  
(74) *Attorney, Agent, or Firm* — Burr & Forman LLP;  
Douglas L. Lineberry

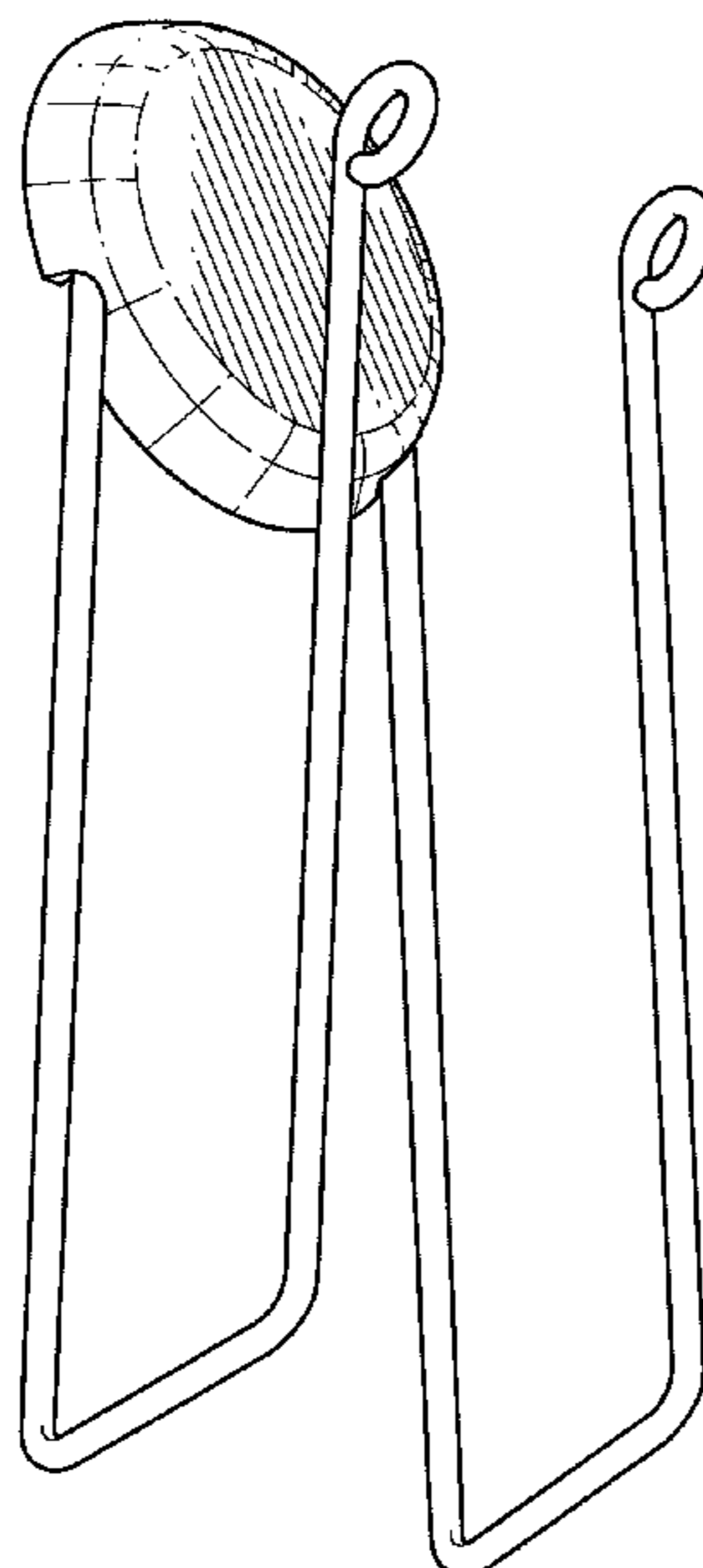
(57) **CLAIM**

The ornamental design for a pot lid holder, as shown and described.

**DESCRIPTION**

FIG. 1 is a front perspective view of a first embodiment of a pot lid holder, showing my new design;  
 FIG. 2 is a front view of the pot lid holder;  
 FIG. 3 is a back view of the pot lid holder wherein the dashed line circular feature represents an adhesive patch;  
 FIG. 4 is a left view of the pot lid holder;  
 FIG. 5 is a right side view of the pot lid holder;  
 FIG. 6 is a top view of the pot lid holder;  
 FIG. 7 is a bottom view of the pot lid holder;  
 FIG. 8 is a front perspective view of a second embodiment of a pot lid holder wherein the dashed line circular feature represents an opening for an attachment screw;  
 FIG. 9 is a front view of the pot lid holder wherein the dashed line circular feature represents an opening for an attachment screw;  
 FIG. 10 is a back view of the pot lid holder wherein the dashed line circular feature represents an opening for an attachment screw;  
 FIG. 11 is a left view of the pot lid holder of FIG. 8;  
 FIG. 12 is a right view of the pot lid holder of FIG. 8;  
 FIG. 13 is a top view of the pot lid holder of FIG. 8; and,  
 FIG. 14 is a bottom view of the pot lid holder of FIG. 8.  
 The dashed lines illustrating portions of the pot lid holder form no part of the claimed design.

**1 Claim, 8 Drawing Sheets**



(56)

**References Cited**

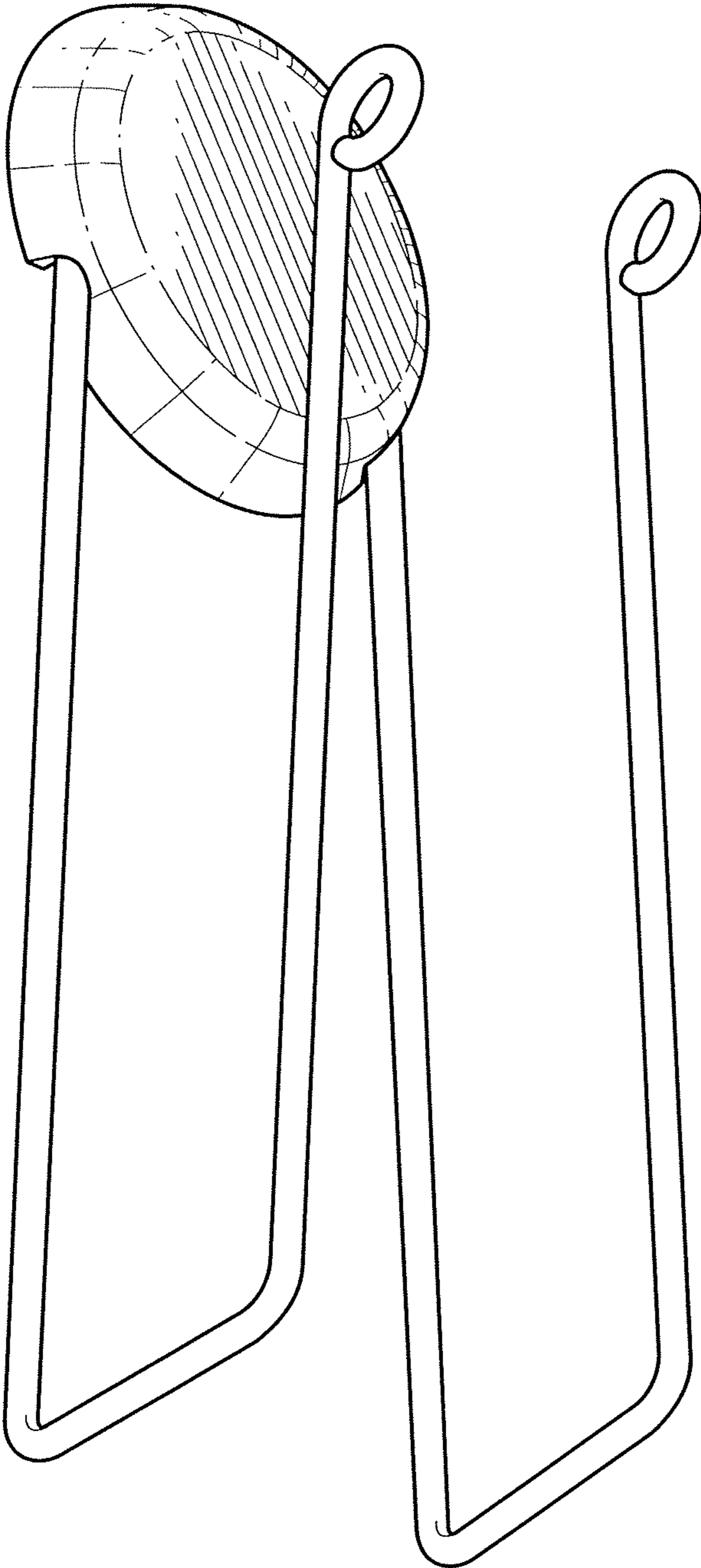
U.S. PATENT DOCUMENTS

D468,163	S *	1/2003	Blake	.....	D7/601
D476,847	S *	7/2003	Kingsley	.....	D7/396.1
D481,264	S *	10/2003	Morgan	.....	D7/601
D500,638	S *	1/2005	Srivastava	.....	D7/601
D582,219	S *	12/2008	Prevost	.....	A47J 36/12
					D7/638
D630,902	S *	1/2011	Chen	.....	A47J 47/16
					D7/619.1
D802,372	S *	11/2017	Ljung	.....	D7/601
D918,927	S *	5/2021	Senatorov	.....	D14/447
D953,120	S *	5/2022	Zhang	.....	D7/601
2004/0251222	A1 *	12/2004	Ohanian	.....	A47J 47/16
					211/181.1
2006/0186124	A1 *	8/2006	Sergianni	.....	A47J 47/16
					220/572
2009/0230134	A1 *	9/2009	Romandy	.....	A47J 36/12
					220/573.1
2018/0146827	A1 *	5/2018	Clarke	.....	A47B 81/00
2019/0110637	A1 *	4/2019	Groll	.....	A47J 36/12

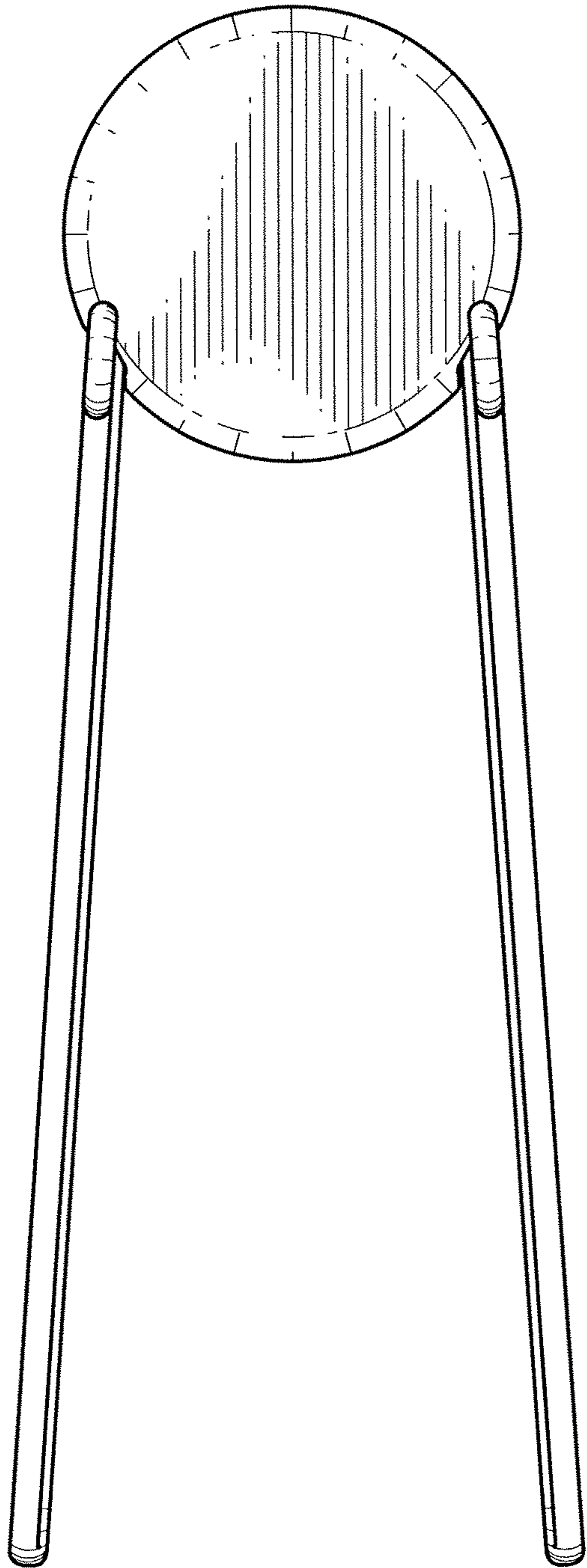
OTHER PUBLICATIONS

Vollrath 46435 4 Qt. Orion Chafer Cover Holder, Webstaurant Store, [online], [site visited May 2, 2022], Available from internet URL: <https://www.webstaurantstore.com/vollrath-46435-4-qt-orion-chafer-cover-holder/92246435.html> (Year: 2022).\*

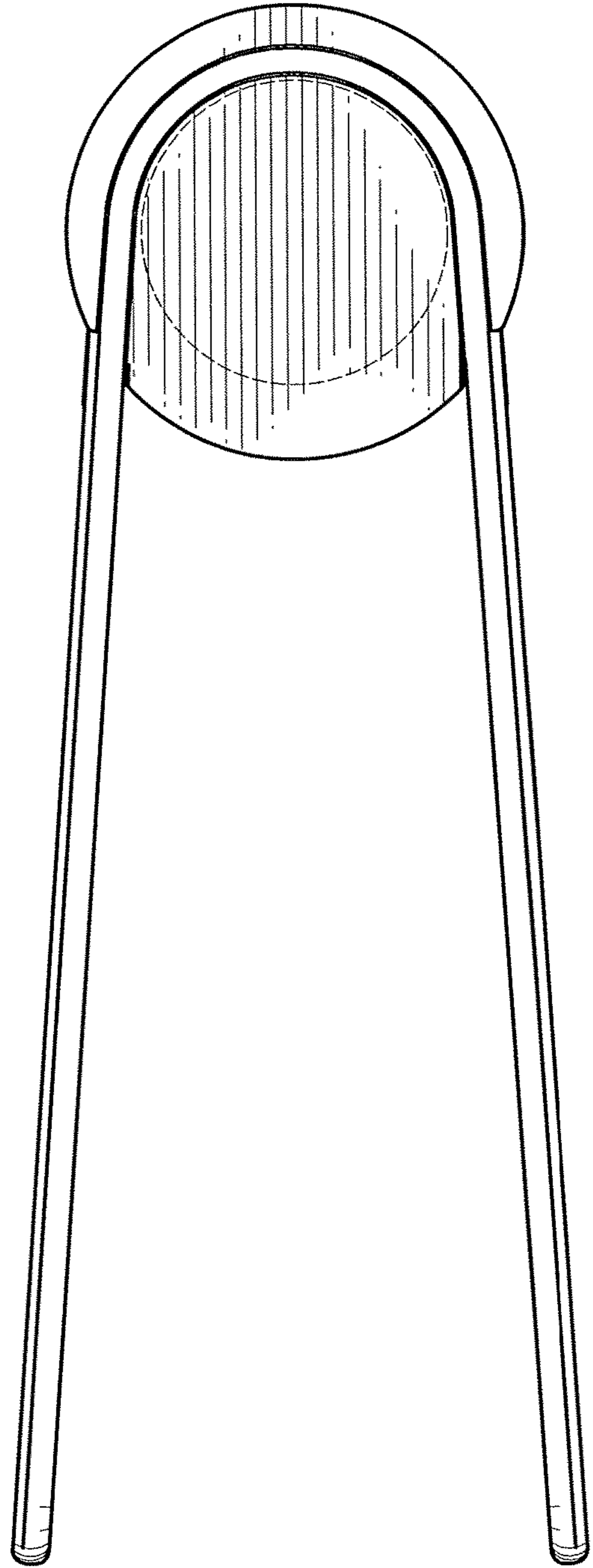
\* cited by examiner



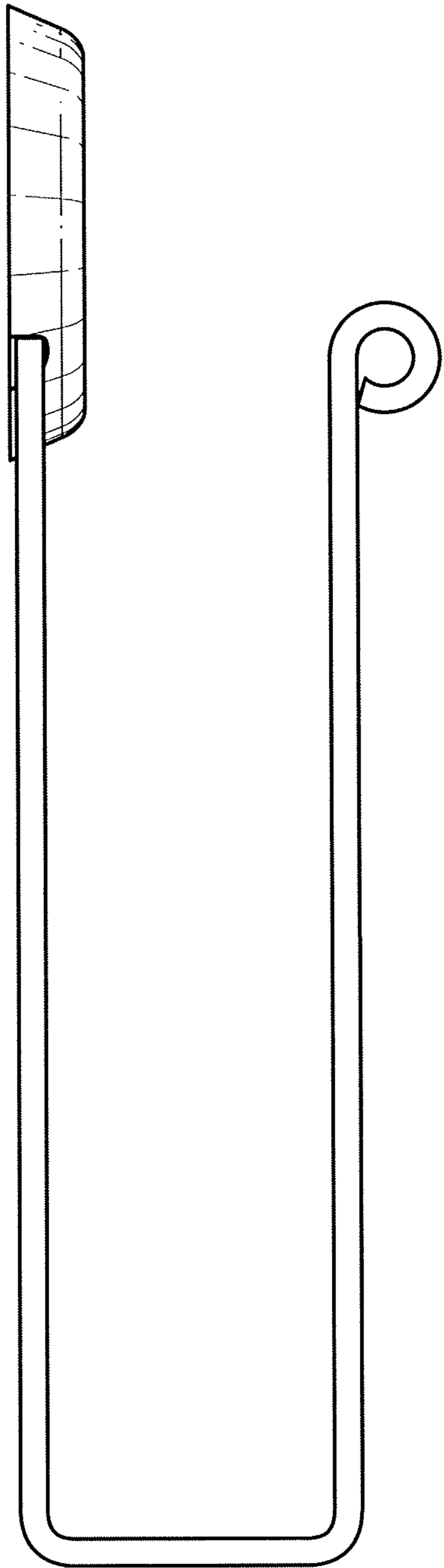
*Fig. 1*



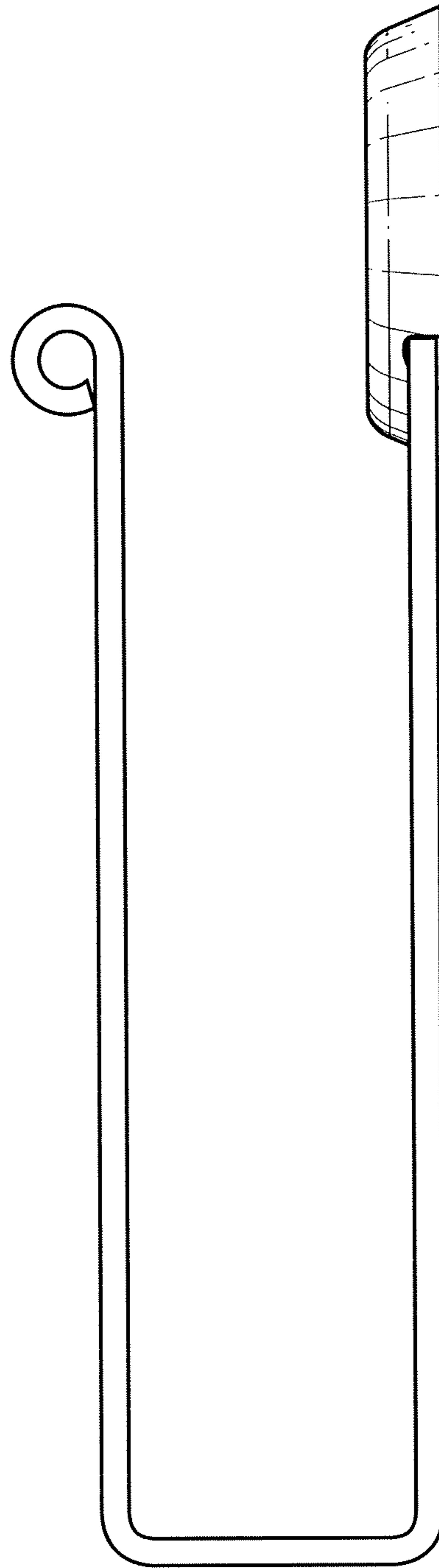
*Fig. 2*



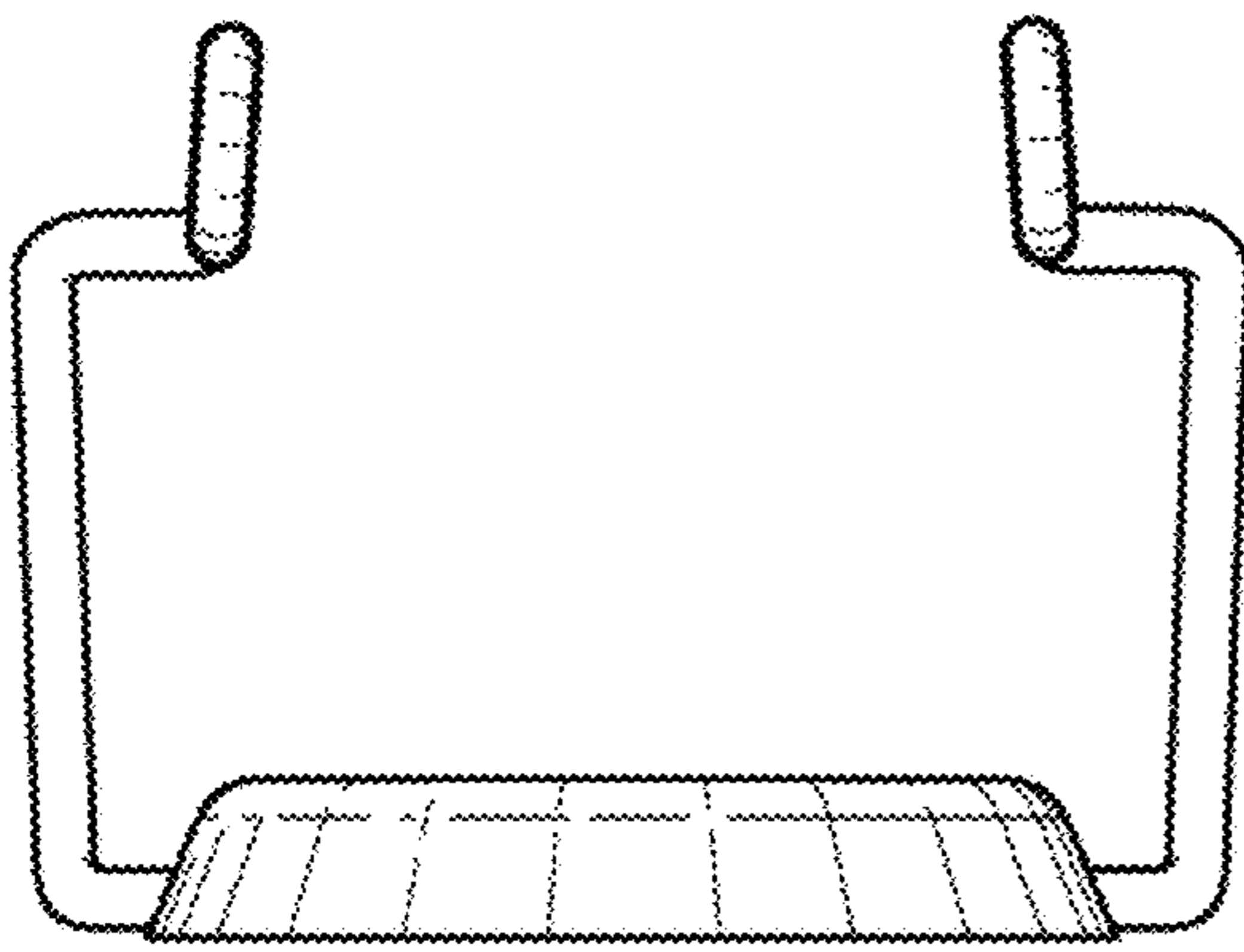
*Fig. 3*



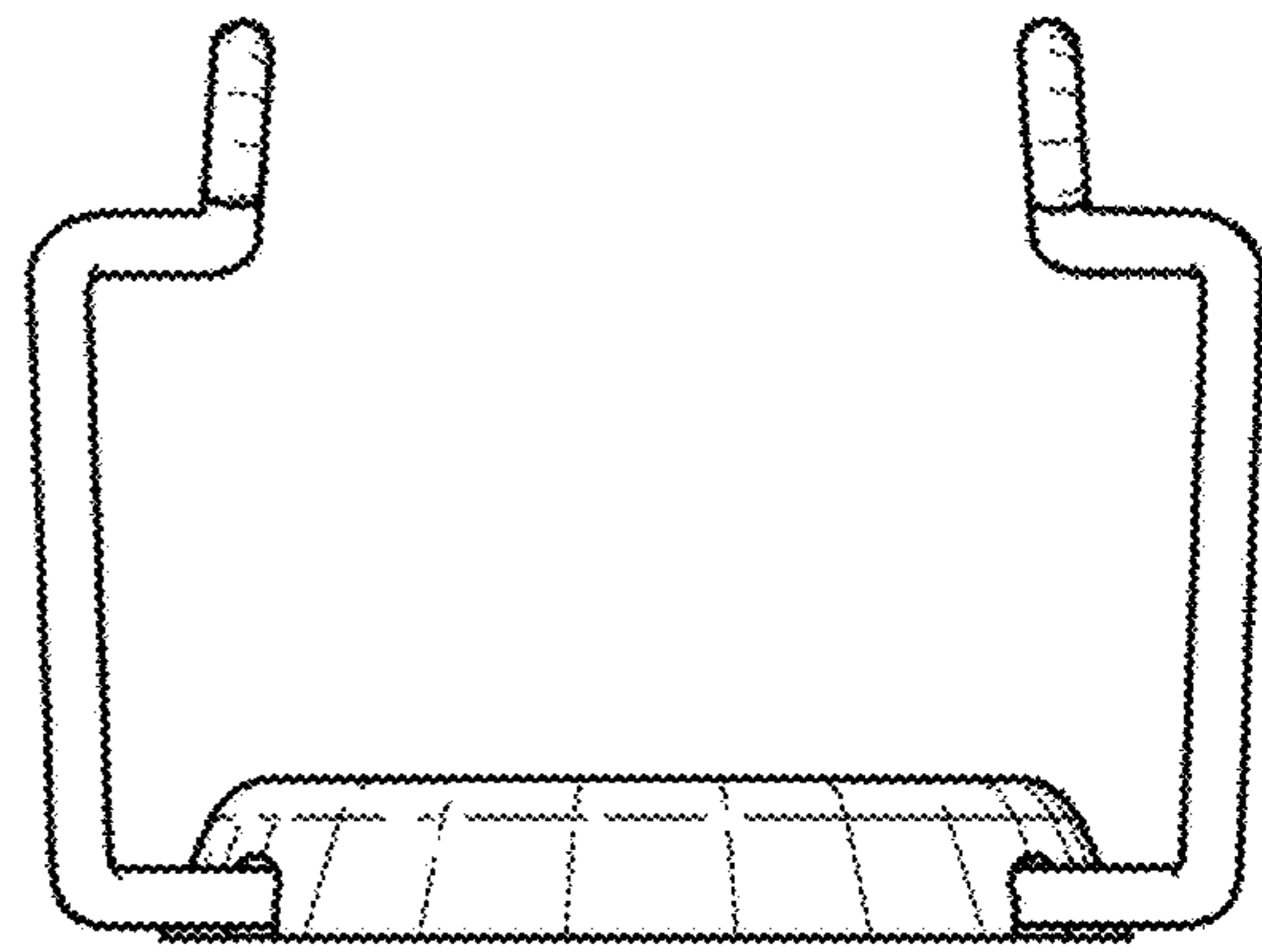
*Fig. 4*



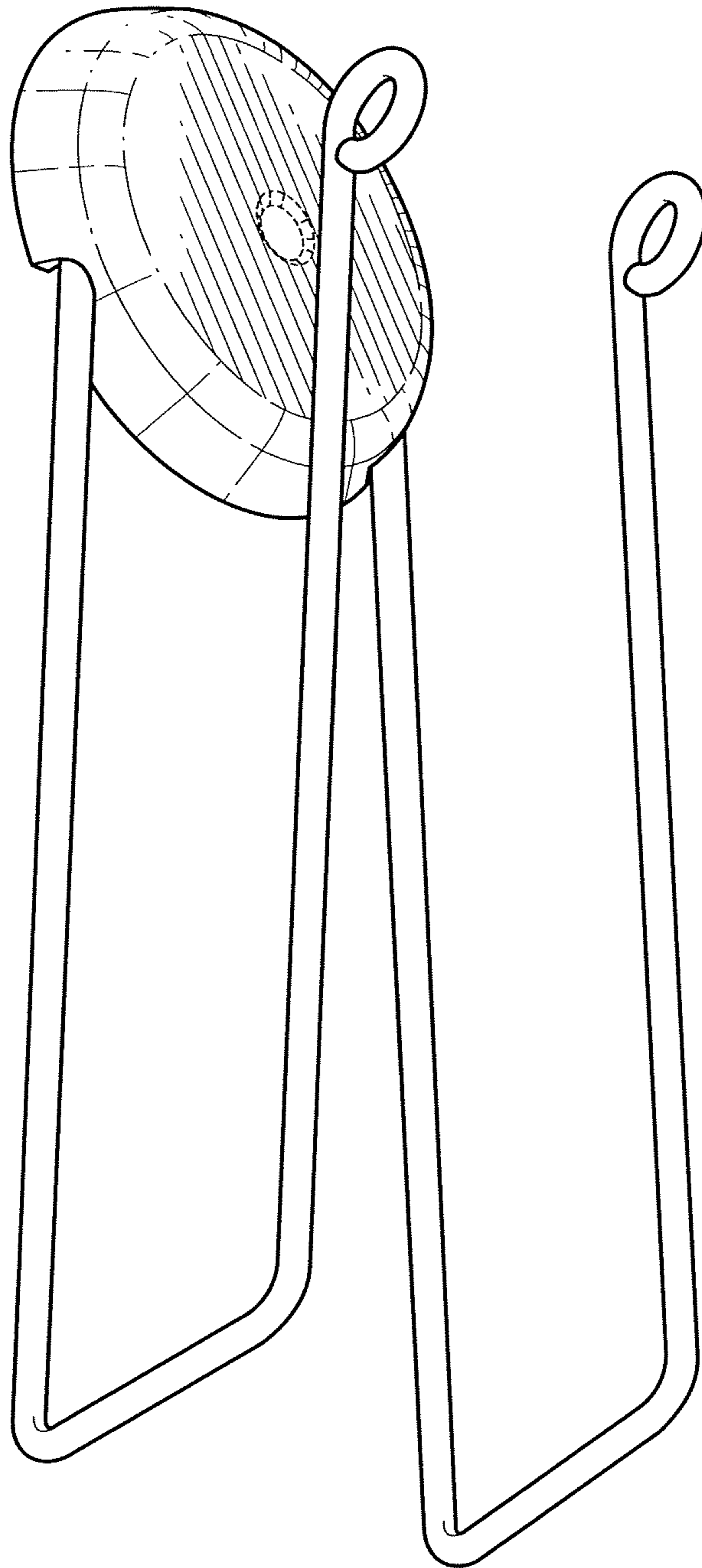
*Fig. 5*



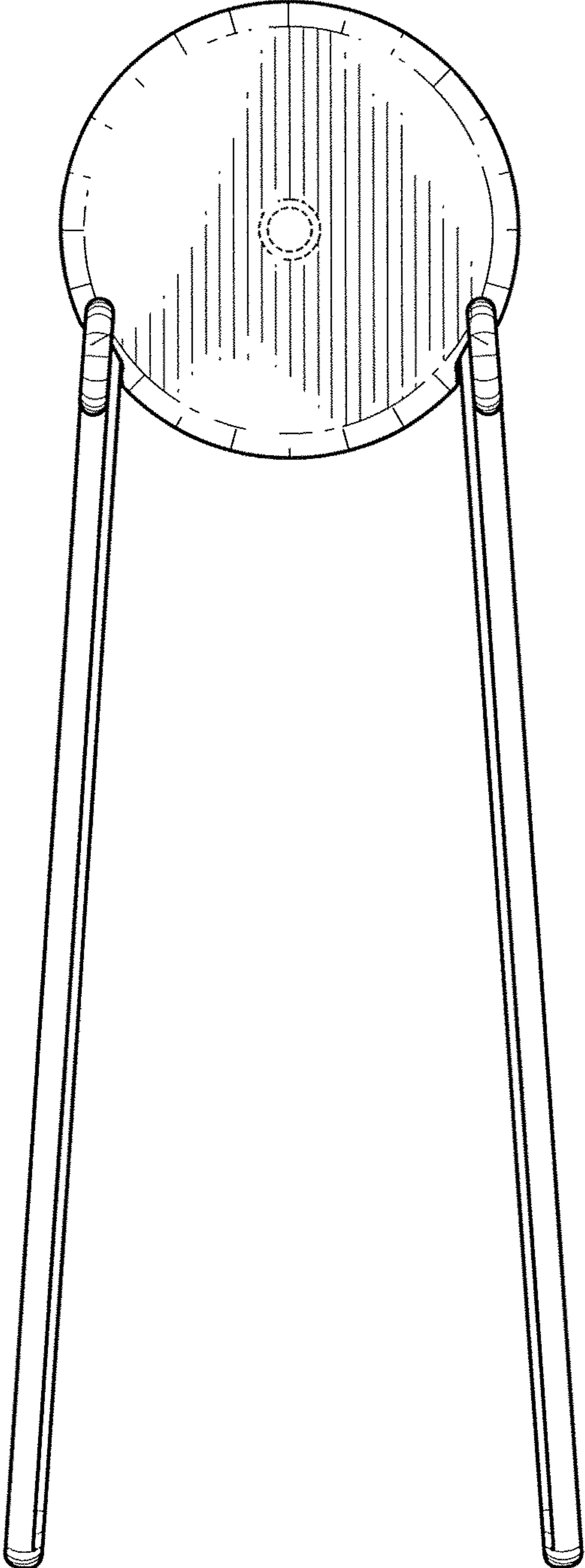
*Fig. 6*



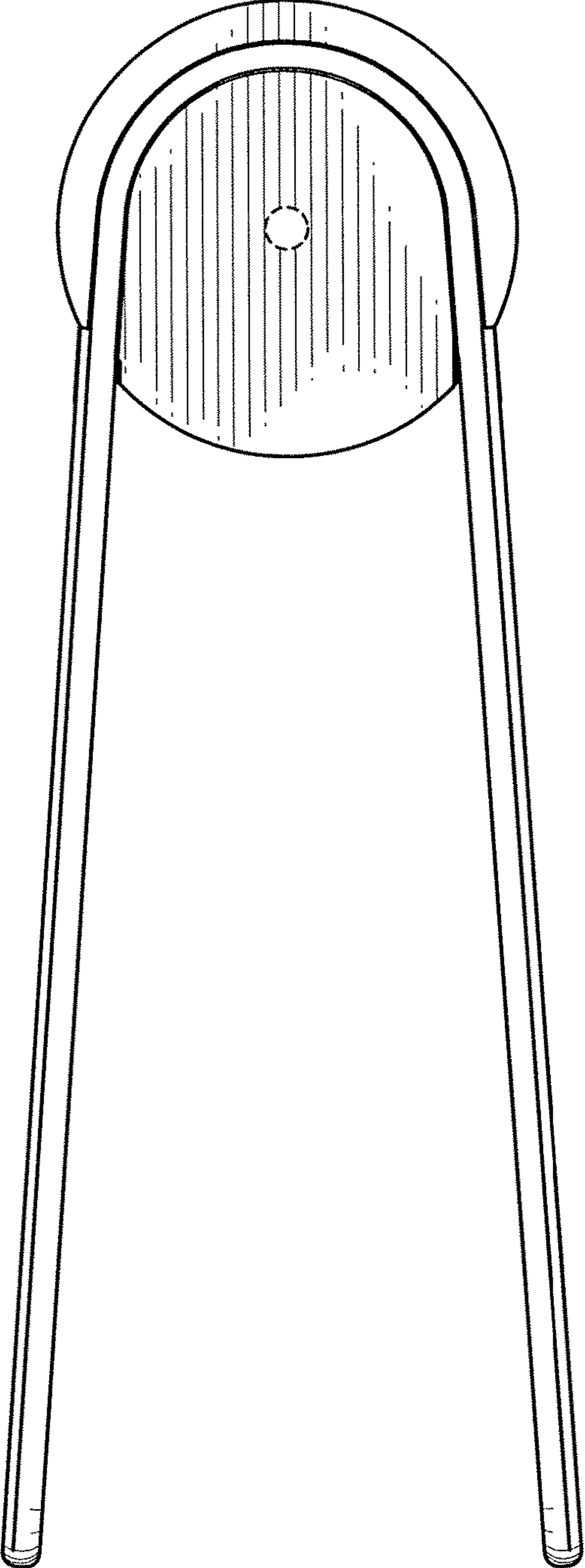
*Fig. 7*



*Fig. 8*

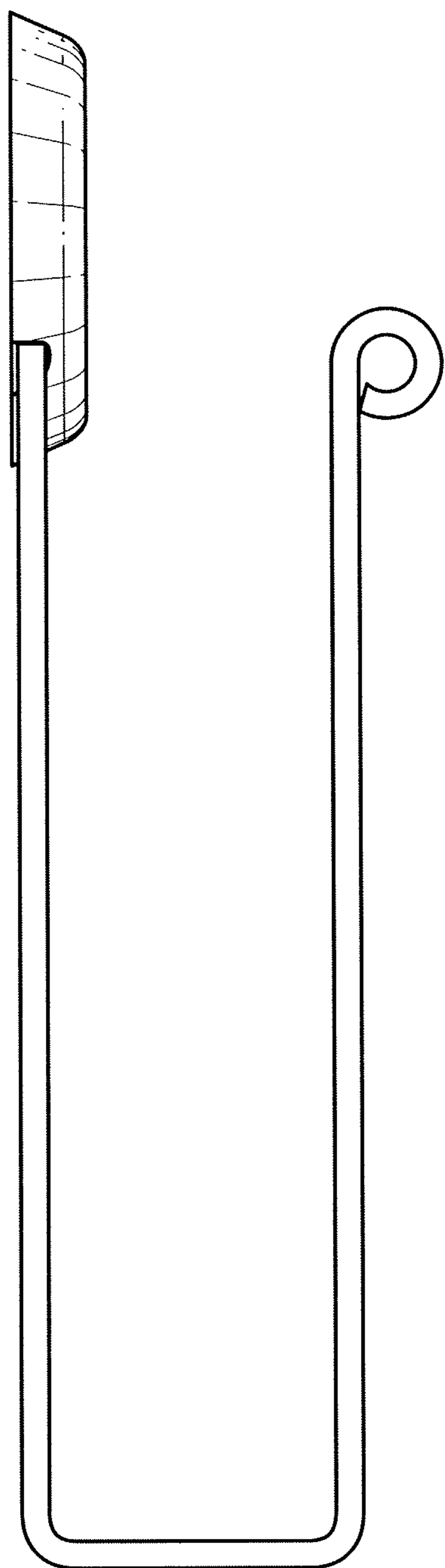


*Fig. 9*

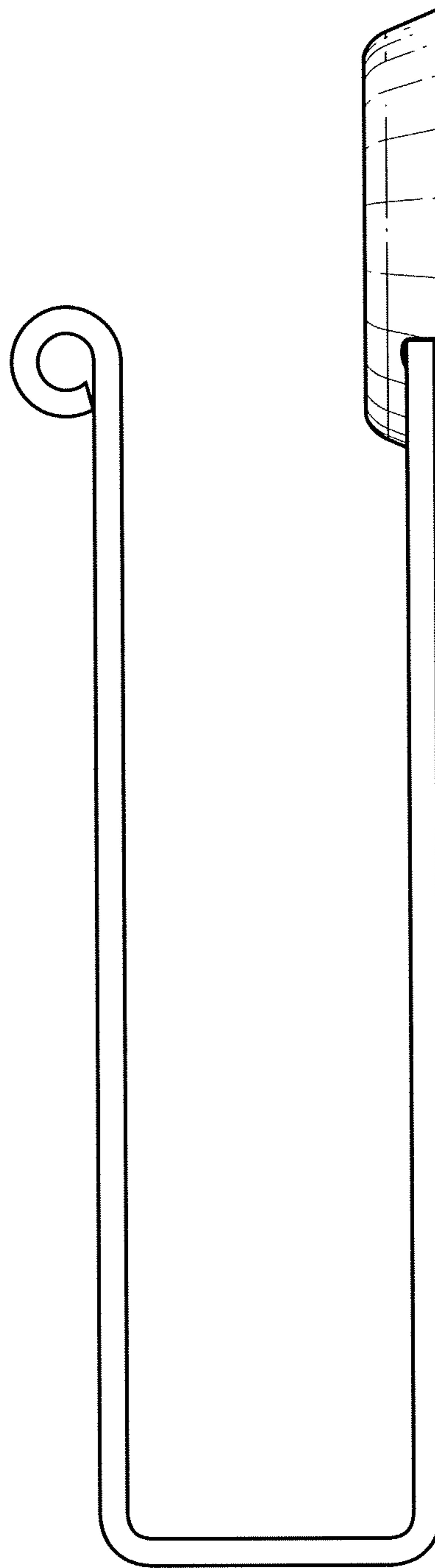


*Fig. 10*

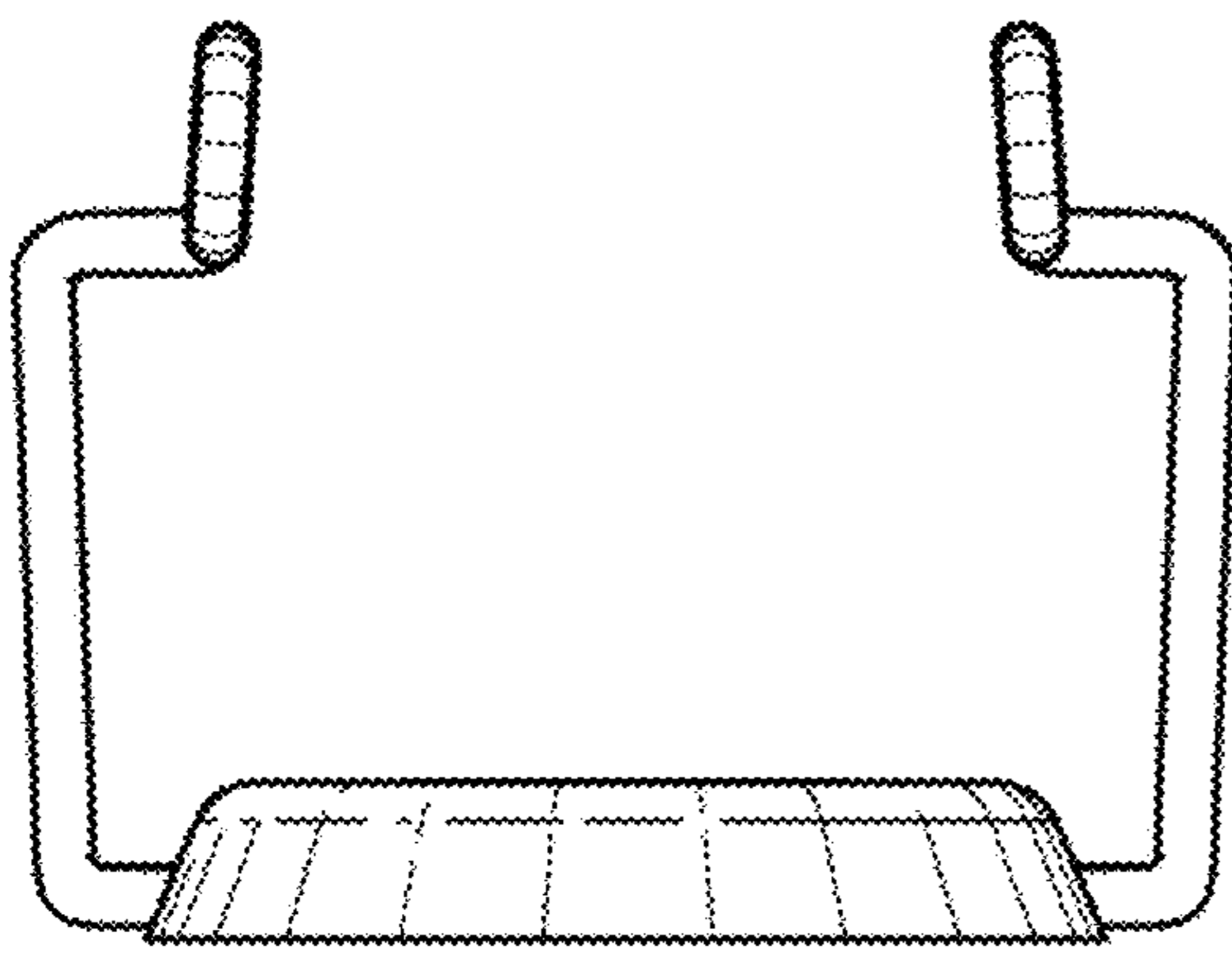




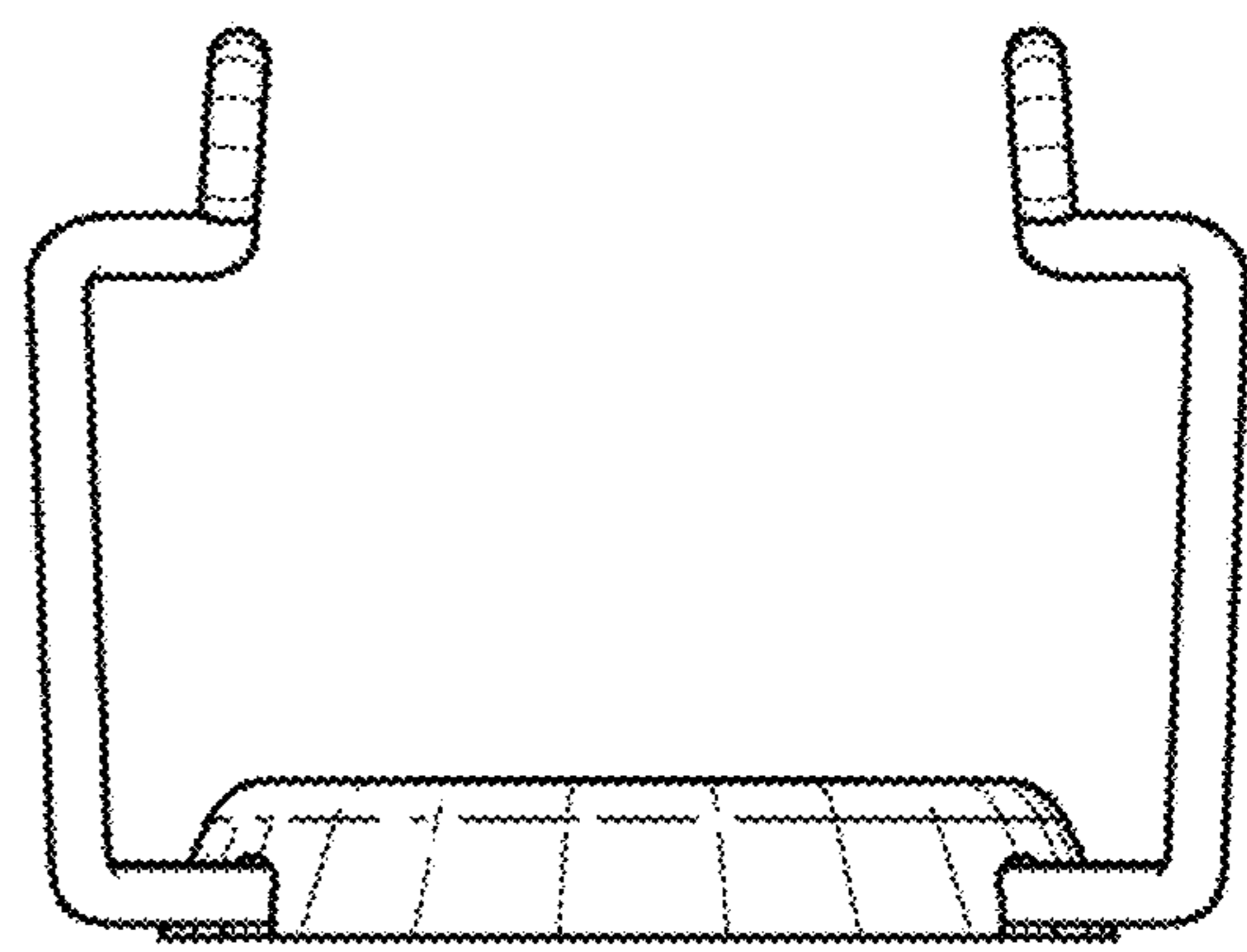
*Fig. 11*



*Fig. 12*



*Fig. 13*



*Fig. 14*