



US00D980679S

(12) **United States Design Patent**  
**Kim et al.**

(10) **Patent No.:** **US D980,679 S**  
(45) **Date of Patent:** **\*\* Mar. 14, 2023**

- (54) **BEVERAGE CONTAINER WITH LID**
- (71) Applicant: **CamelBak Products, LLC**, Petaluma, CA (US)
- (72) Inventors: **Jenna Kim**, San Rafael, CA (US);  
**Benjamin E. Vierck**, Petaluma, CA (US)
- (73) Assignee: **CAMELBAK PRODUCTS, LLC**, Petaluma, CA (US)
- (\*\*) Term: **15 Years**
- (21) Appl. No.: **29/721,153**
- (22) Filed: **Jan. 17, 2020**

**Related U.S. Application Data**

- (63) Continuation-in-part of application No. 29/704,938, filed on Sep. 9, 2019.
- (51) **LOC (14) Cl.** ..... **07-01**
- (52) **U.S. Cl.**  
USPC ..... **D7/523; D7/532**
- (58) **Field of Classification Search**  
USPC ..... D7/507, 509, 510, 511, 523, 531, 532,  
D7/392.1, 396.2, 534, 536; D9/449, 435,  
(Continued)

(56) **References Cited**

**U.S. PATENT DOCUMENTS**

- 3,765,559 A 10/1973 Sauey et al.
  - 5,427,269 A 6/1995 Willbrandt
- (Continued)

**OTHER PUBLICATIONS**

Greens Steel [https://www.amazon.com/dp/B01DQNHQ6/ref=cm\\_sw\\_em\\_r\\_mt\\_dp\\_4V10NDVYVFAXXCE3RF5E](https://www.amazon.com/dp/B01DQNHQ6/ref=cm_sw_em_r_mt_dp_4V10NDVYVFAXXCE3RF5E) Apr. 2, 2016 (Year: 2016).\*

(Continued)

*Primary Examiner* — Jae Liang  
(74) *Attorney, Agent, or Firm* — Amardeep S. Grewal;  
Gerard M. Donovan; Reed Smith LLP

(57) **CLAIM**

The ornamental design for a beverage container with lid, as shown and described.

**DESCRIPTION**

FIG. 1 is a top isometric view of a beverage container showing the design.

FIG. 2 is a side elevation view of the beverage container of FIG. 1, with the other side views being symmetrical thereto.

FIG. 3 is a top plan view of the beverage container of FIG. 1.

FIG. 4 is a bottom plan view of the beverage container of FIG. 1.

FIG. 5 is a bottom isometric view of the beverage container of FIG. 1.

FIG. 6 is a top front isometric view of a lid showing the design.

FIG. 7 is a top front isometric view of the lid of FIG. 6 in an alternate position.

FIG. 8 is a top front isometric view of the lid of FIG. 6 in another alternate position.

FIG. 9 is a top rear isometric view of the lid of FIG. 6.

FIG. 10 is a front elevation view of the lid of FIG. 6.

FIG. 11 is a rear elevation view of the lid of FIG. 6.

FIG. 12 is a left elevation view of the lid of FIG. 6.

FIG. 13 is a right elevation view of the lid of FIG. 6.

FIG. 14 is a top plan view of the lid of FIG. 6.

FIG. 15 is a bottom plan view of the lid of FIG. 6.

FIG. 16 is a bottom front isometric view of the lid of FIG. 6.

FIG. 17 is a top front isometric view of the beverage container of FIG. 1 with the lid of FIG. 6.

FIG. 18 is a top front isometric view of the beverage container with lid of FIG. 17 in an alternate position.

FIG. 19 is a top front isometric view of the beverage container with lid of FIG. 17 in another alternate position.

FIG. 20 is a top rear isometric view of the beverage container with lid of FIG. 17.

(Continued)

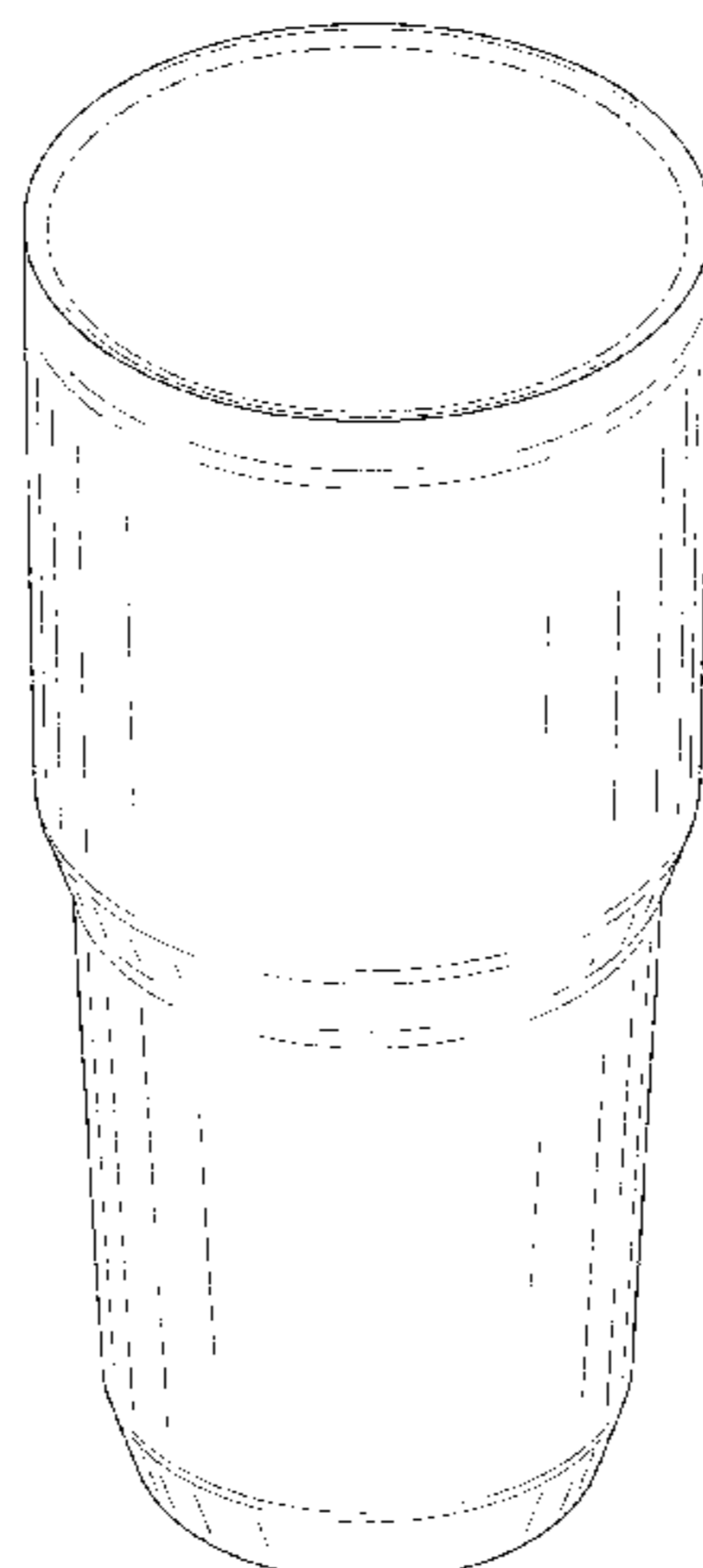


FIG. 21 is front elevation view of the beverage container with lid of FIG. 17.  
 FIG. 22 is a rear elevation view of the beverage container with lid of FIG. 17.  
 FIG. 23 is a left elevation view of the beverage container with lid of FIG. 17.  
 FIG. 24 is a right elevation view of the beverage container with lid of FIG. 17.  
 FIG. 25 is a top plan view of the beverage container with lid of FIG. 17.  
 FIG. 26 is a bottom plan view of the beverage container with lid of FIG. 17; and,  
 FIG. 27 is a bottom front isometric view of the beverage container with lid of FIG. 17.  
 The dashed lines in the drawings illustrate portions of the beverage container that form no part of the claimed design. The shading lines shown in the drawings represent the approximate three-dimensional contour of the claimed design and are not intended to indicate surface decoration. The dot-dash broken line(s) define the bounds of the claimed design and form no part thereof.

**1 Claim, 20 Drawing Sheets**

(58) **Field of Classification Search**

USPC ..... D9/436, 440, 450, 517, 531; D3/202;  
 D24/122, 120, 197  
 CPC ..... A47G 19/2288; A47G 19/22; A47G  
 19/2205; A47G 19/2211; A47G 19/2216;  
 A47G 19/2222; A47J 31/14; A47J 31/005  
 See application file for complete search history.

(56) **References Cited**

U.S. PATENT DOCUMENTS

D382,174 S 8/1997 Grimm  
 5,769,266 A 6/1998 Willbrandt

D436,295 S	1/2001	Furman et al.	
D483,995 S *	12/2003	Otake .....	D7/523
D493,068 S	7/2004	Slater et al.	
D537,676 S	3/2007	Kingsley	
D537,677 S	3/2007	Bresler	
D565,901 S	4/2008	Edelstein et al.	
D659,474 S	5/2012	Wahl et al.	
D660,082 S *	5/2012	Wahl .....	D7/510
D675,063 S	1/2013	Wahl	
D713,686 S *	9/2014	Eyal .....	D7/509
D743,209 S *	11/2015	Maas .....	D7/532
D744,286 S	12/2015	Morris, II et al.	
D751,341 S	3/2016	Seiders et al.	
D808,218 S	1/2018	Seiders et al.	
D808,722 S *	1/2018	Hill .....	D7/510
D814,242 S *	4/2018	Seiders .....	D7/532
D814,870 S *	4/2018	Spivey .....	D7/533
D830,127 S *	10/2018	Rohe .....	D7/510
D833,817 S *	11/2018	Sletten .....	D7/532
D858,196 S *	9/2019	Graham .....	D7/400
D871,149 S *	12/2019	Kaiser .....	D7/532
D886,526 S *	6/2020	Seiders .....	D7/510
D917,970 S *	5/2021	Bullock .....	D7/532
D939,278 S *	12/2021	Vierck .....	D7/510
D939,279 S *	12/2021	Vierck .....	D7/510
D939,280 S *	12/2021	Vierck .....	D7/510
D943,354 S *	2/2022	Powell .....	D7/532

OTHER PUBLICATIONS

Yeti Authorized [https://www.amazon.com/dp/B07FMBWPYR/ref=cm\\_sw\\_em\\_r\\_mt\\_dp\\_G21FKQGJS4W8EJAH47XE?\\_encoding=UTF8&psc=1](https://www.amazon.com/dp/B07FMBWPYR/ref=cm_sw_em_r_mt_dp_G21FKQGJS4W8EJAH47XE?_encoding=UTF8&psc=1) Jul. 16, 2018 (Year: 2018).\*

Yeti [https://www.amazon.com/dp/B07FMBWPYR/ref=cm\\_sw\\_em\\_r\\_mt\\_dp\\_G21FKQGJS4W8EJAH47XE?\\_encoding=UTF8&psc=1](https://www.amazon.com/dp/B07FMBWPYR/ref=cm_sw_em_r_mt_dp_G21FKQGJS4W8EJAH47XE?_encoding=UTF8&psc=1) Apr. 28, 2020 (Year: 2020).\*

\* cited by examiner

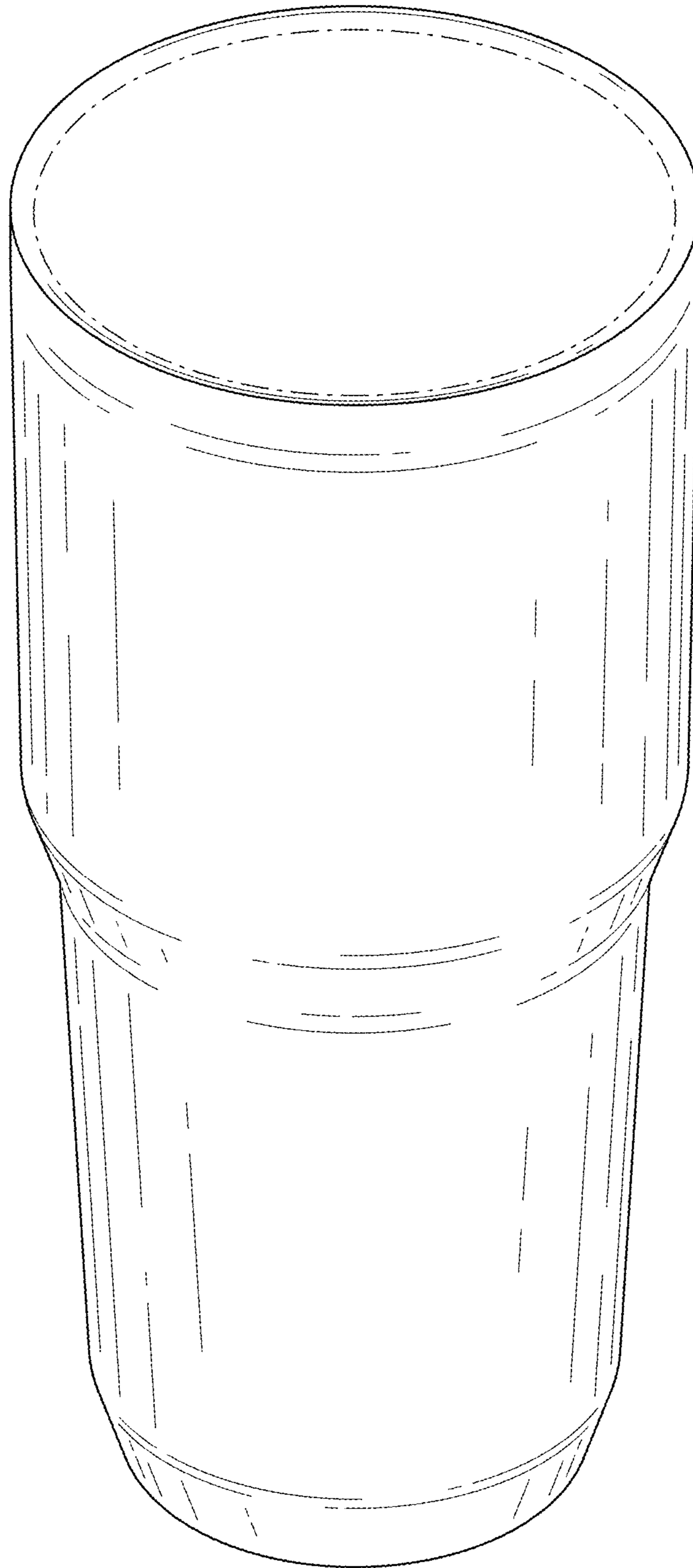


FIG. 1

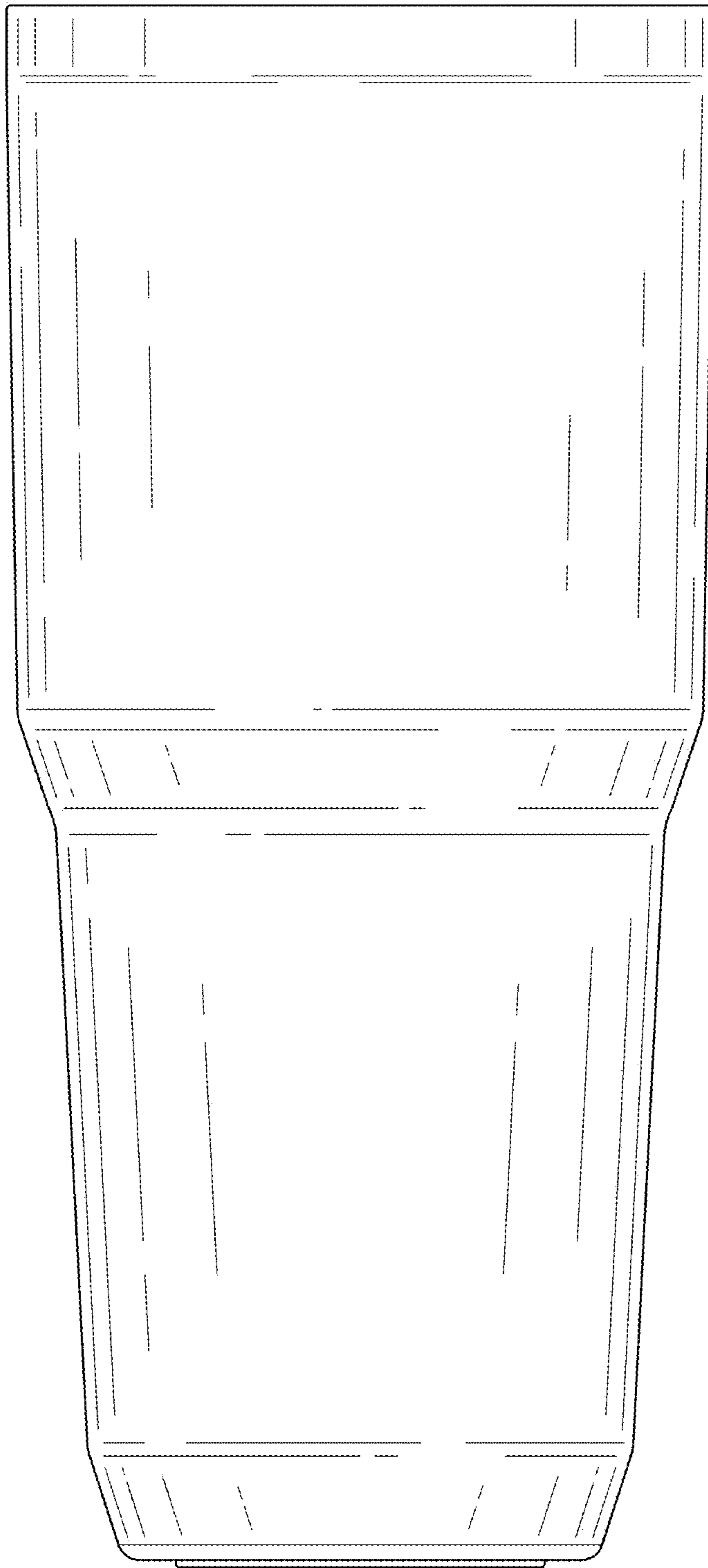


FIG. 2

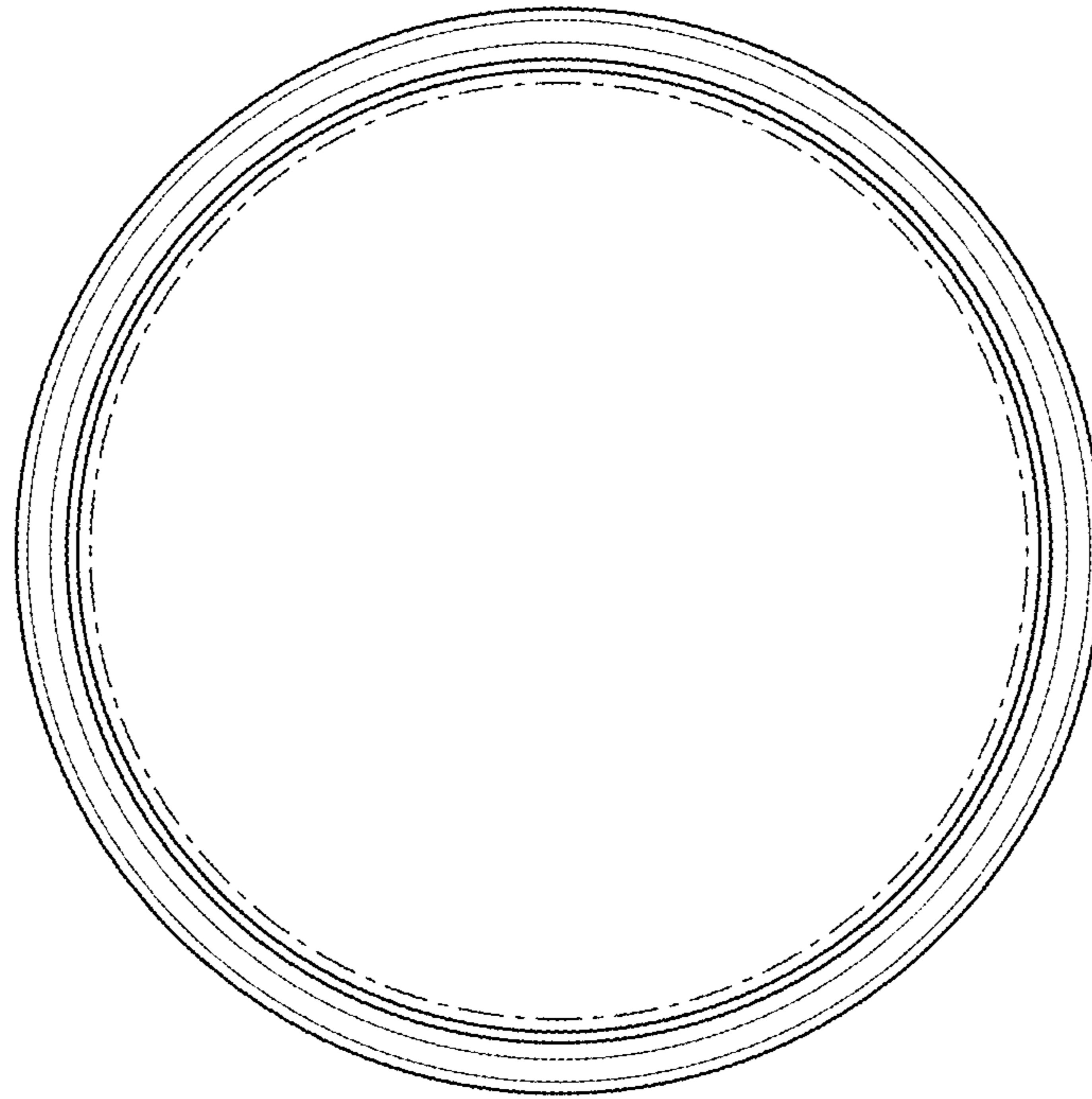


FIG. 3

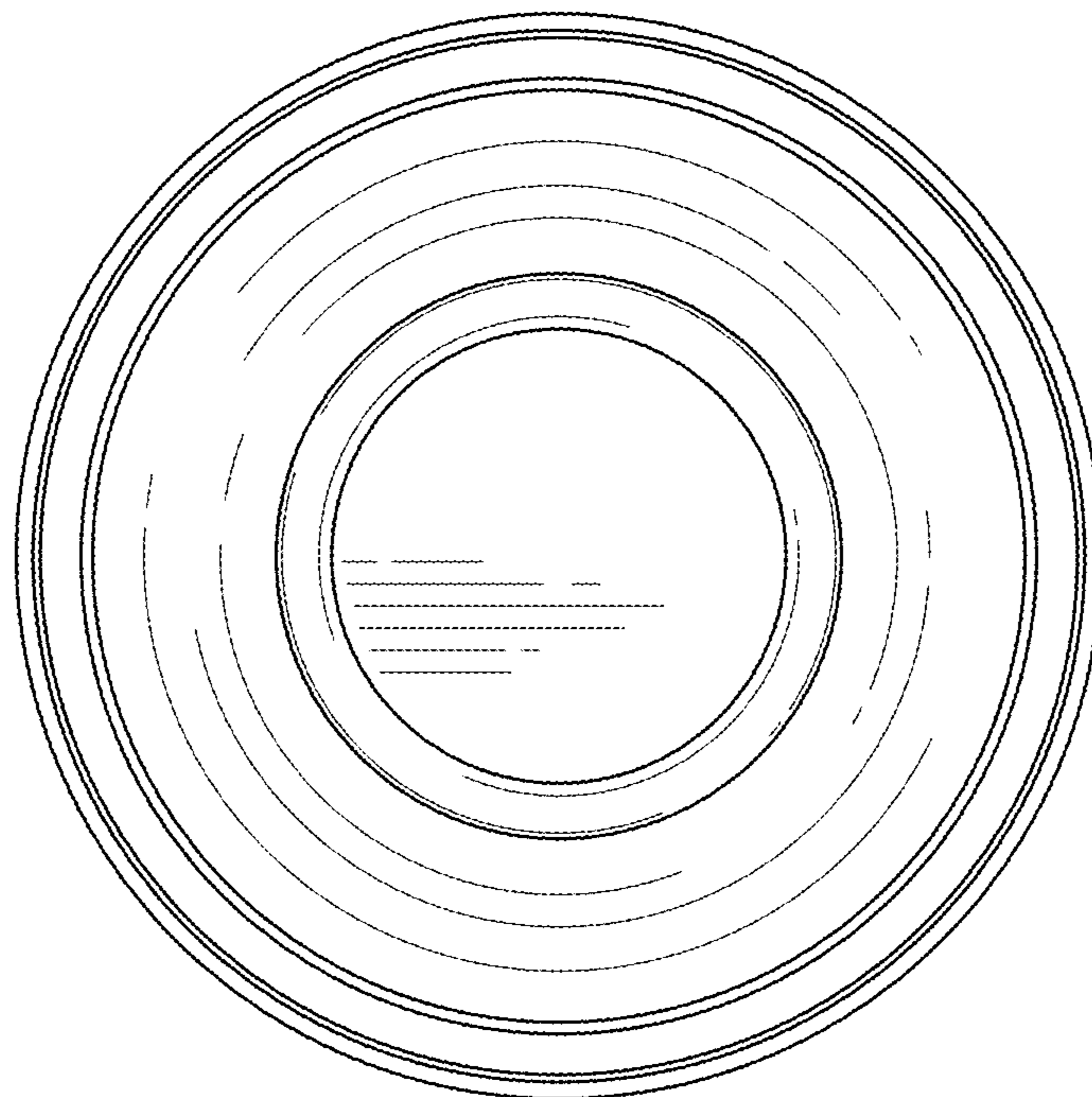


FIG. 4

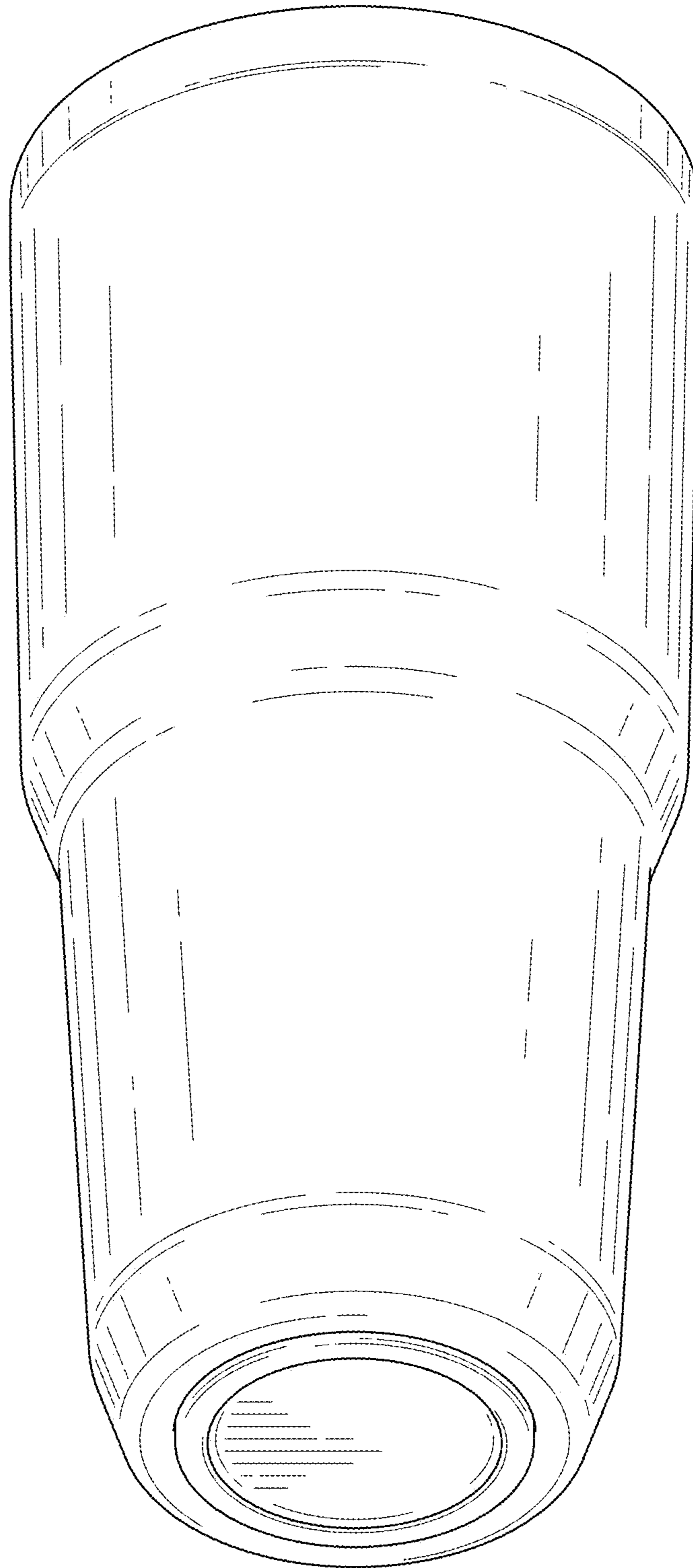


FIG. 5

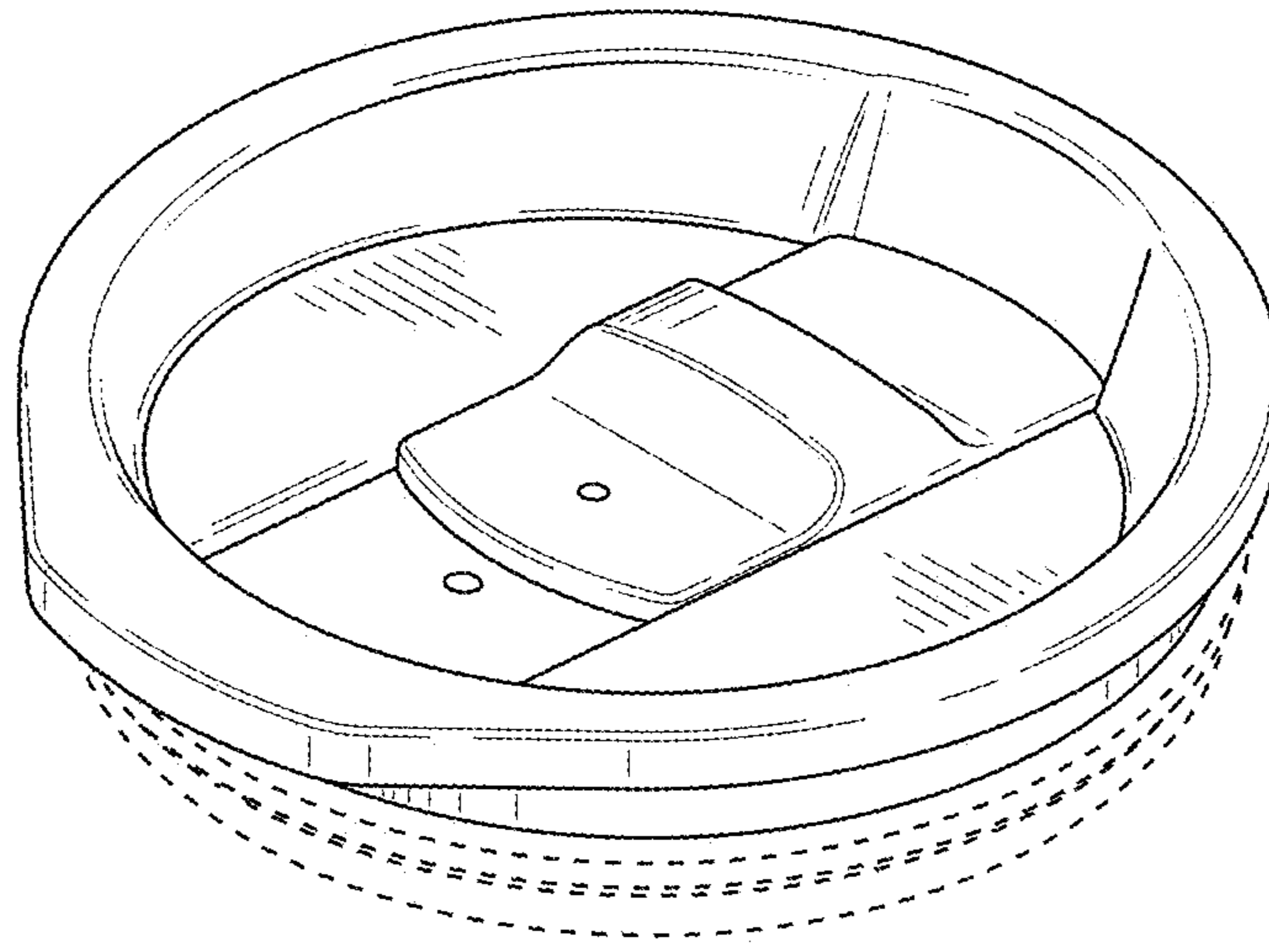


FIG. 6

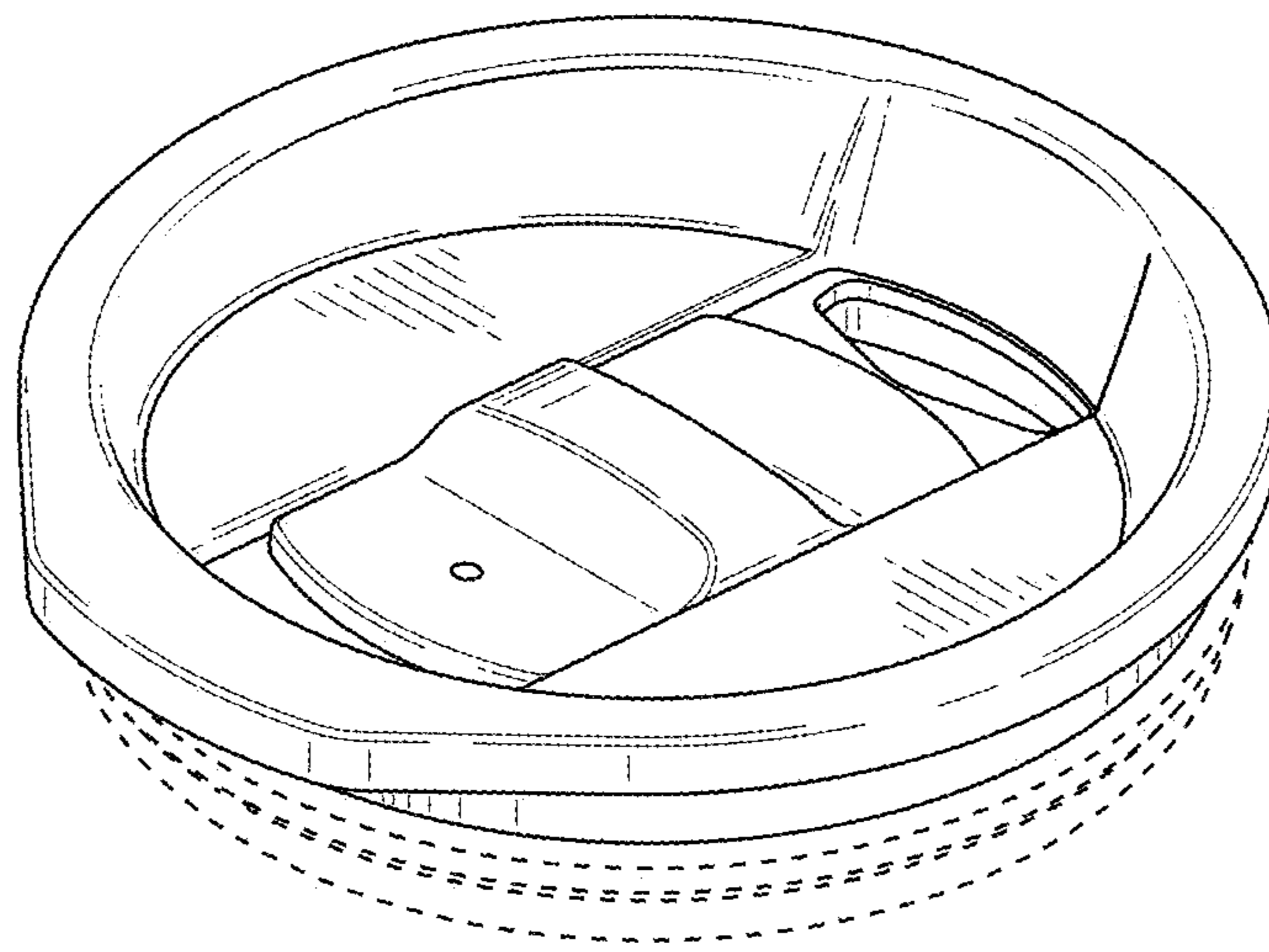


FIG. 7

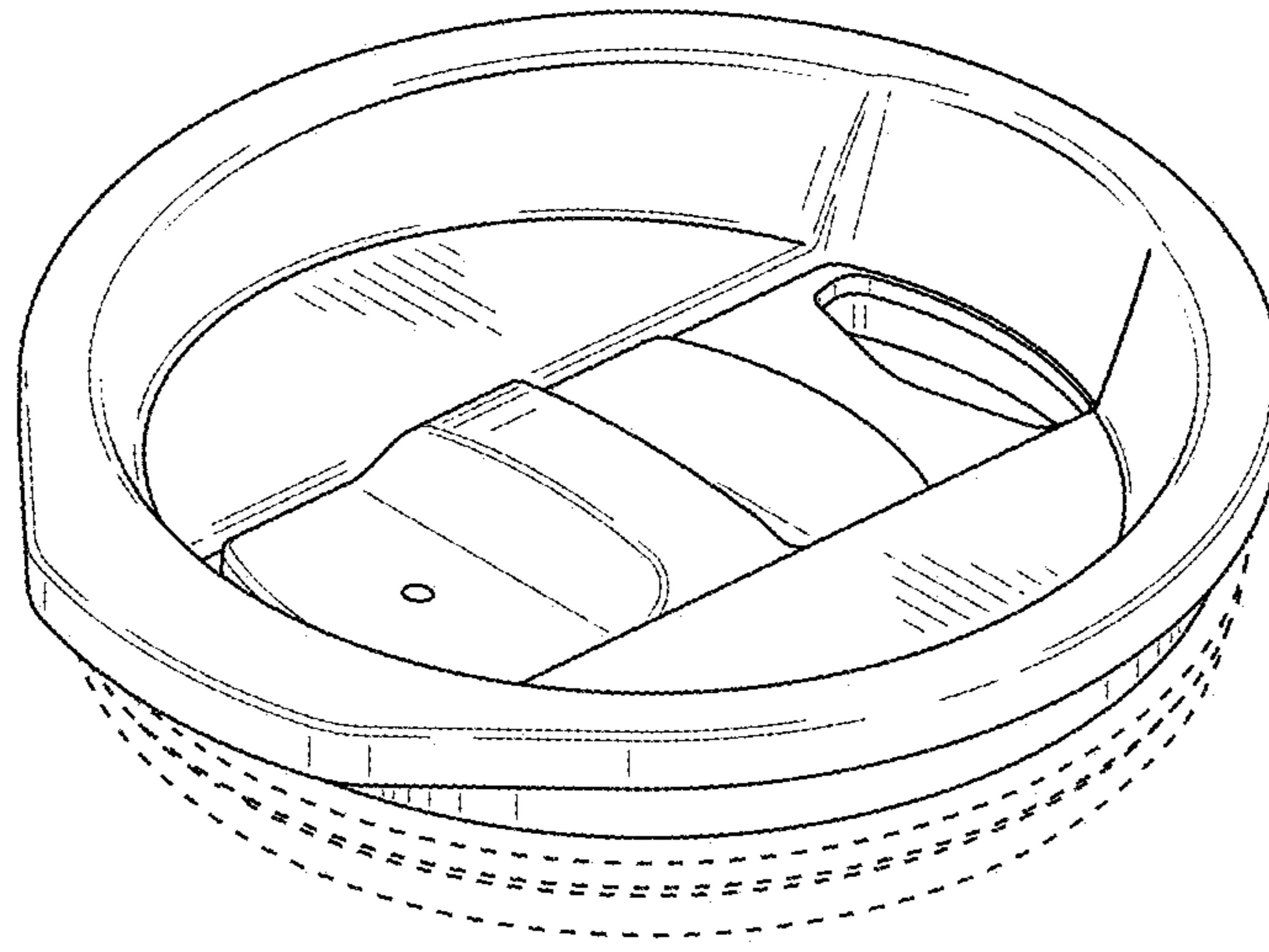


FIG. 8

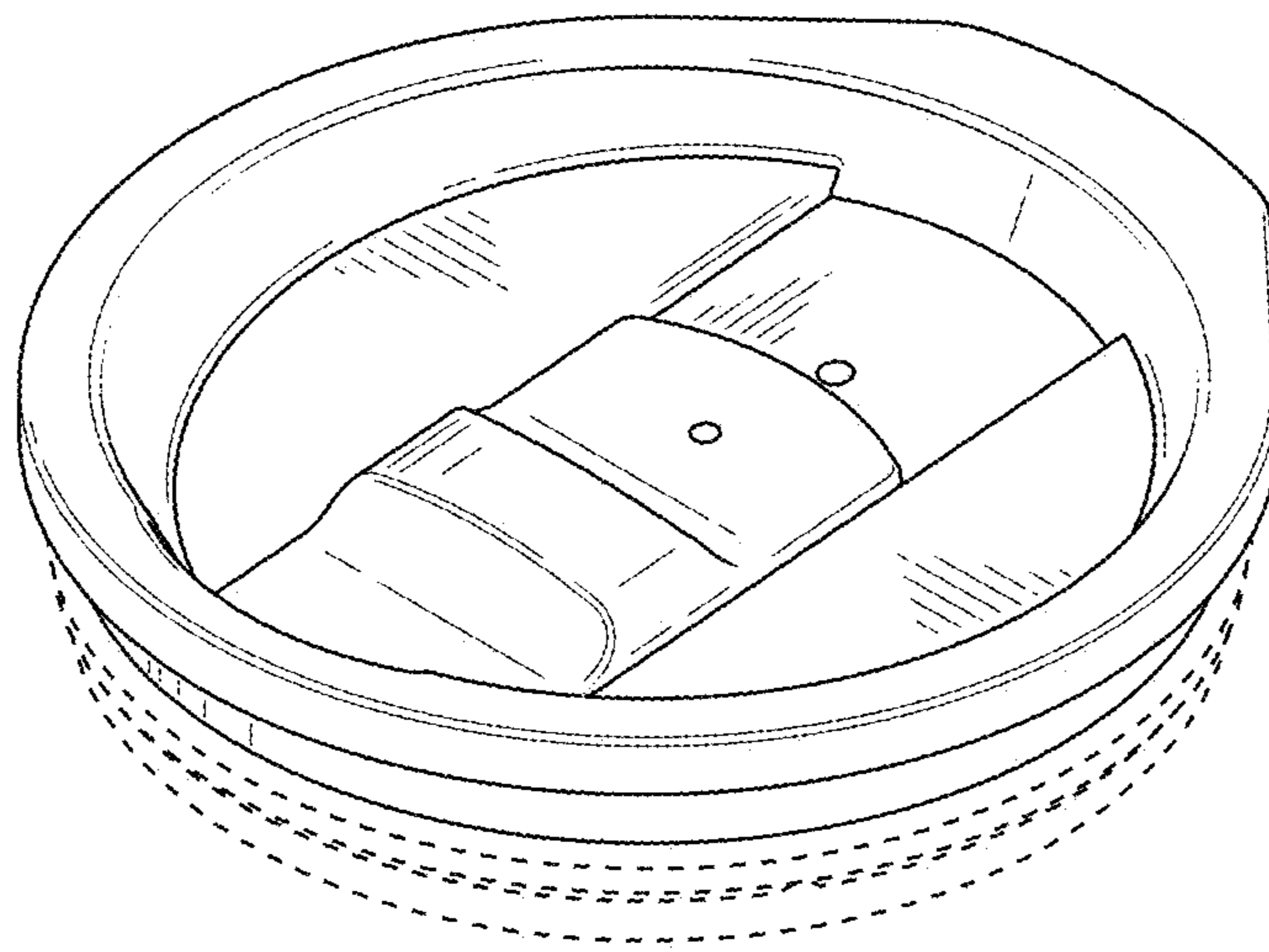


FIG. 9



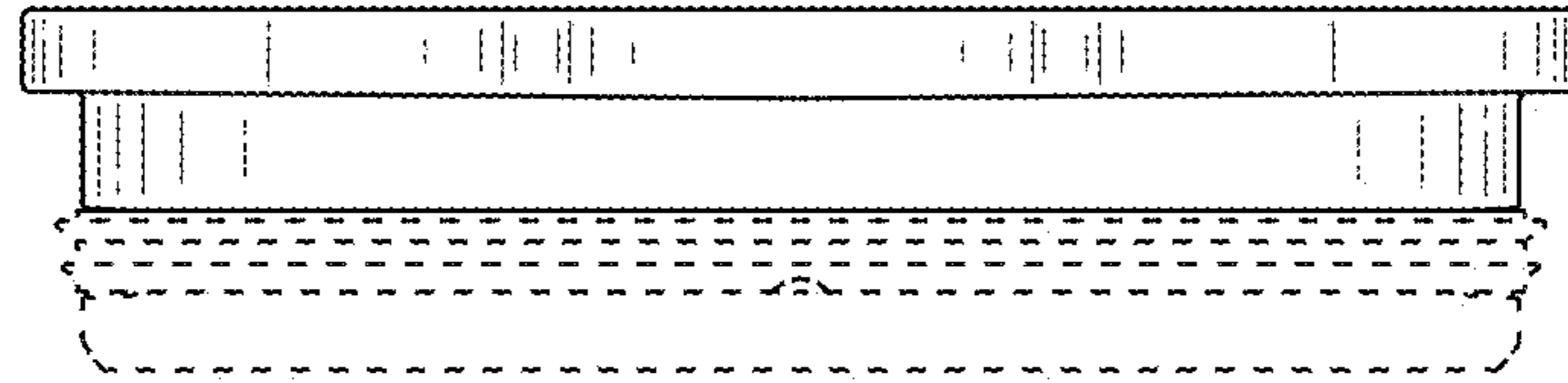


FIG. 10

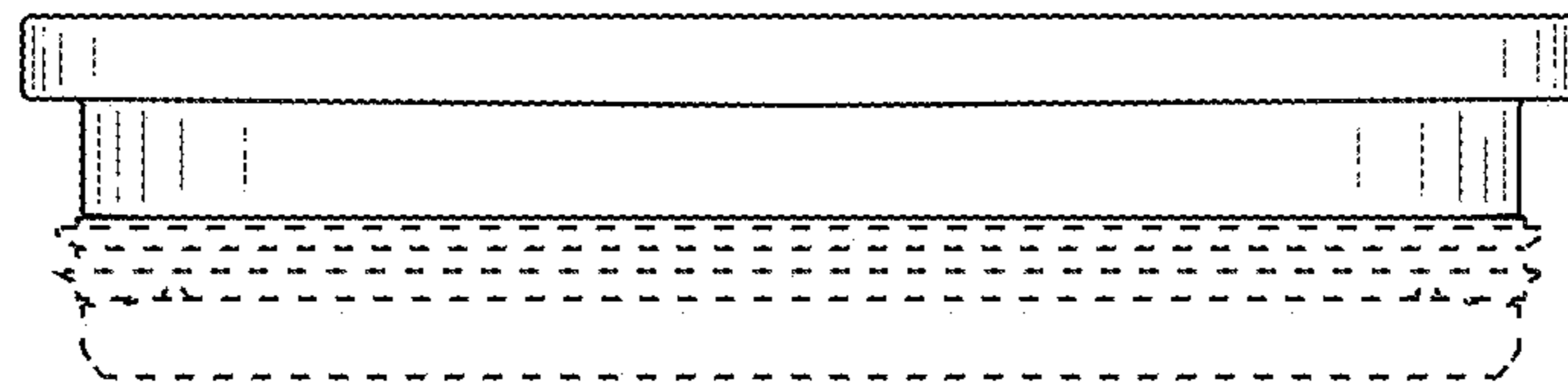


FIG. 11

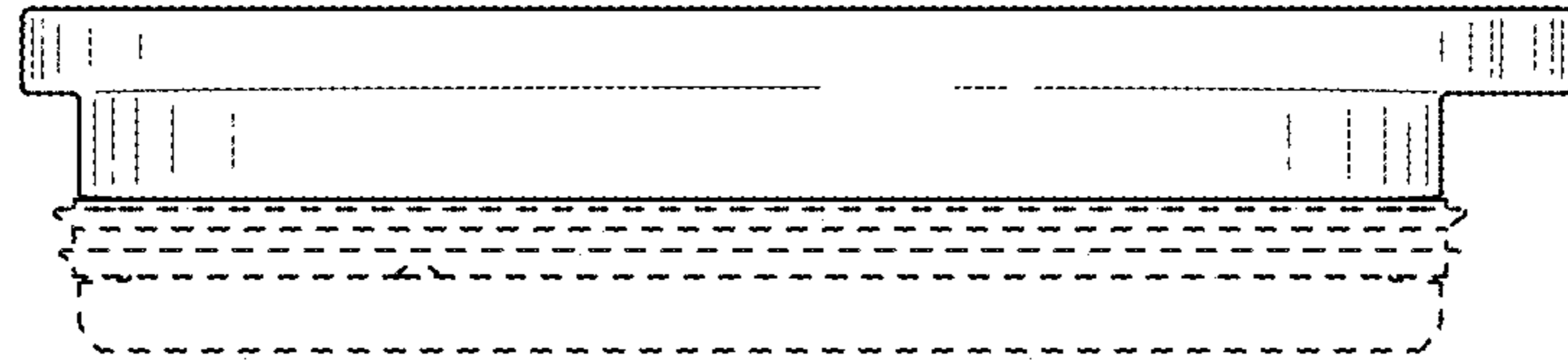


FIG. 12

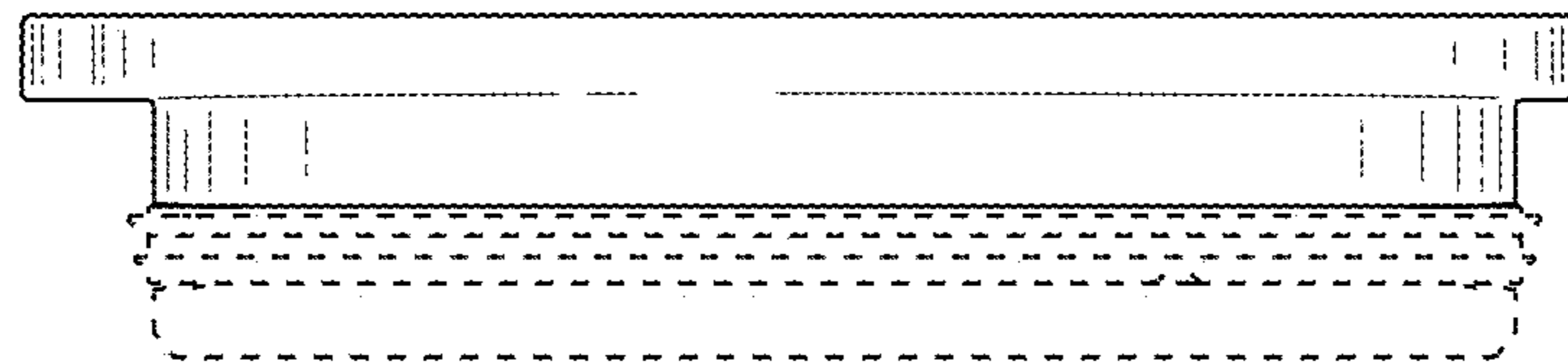


FIG. 13

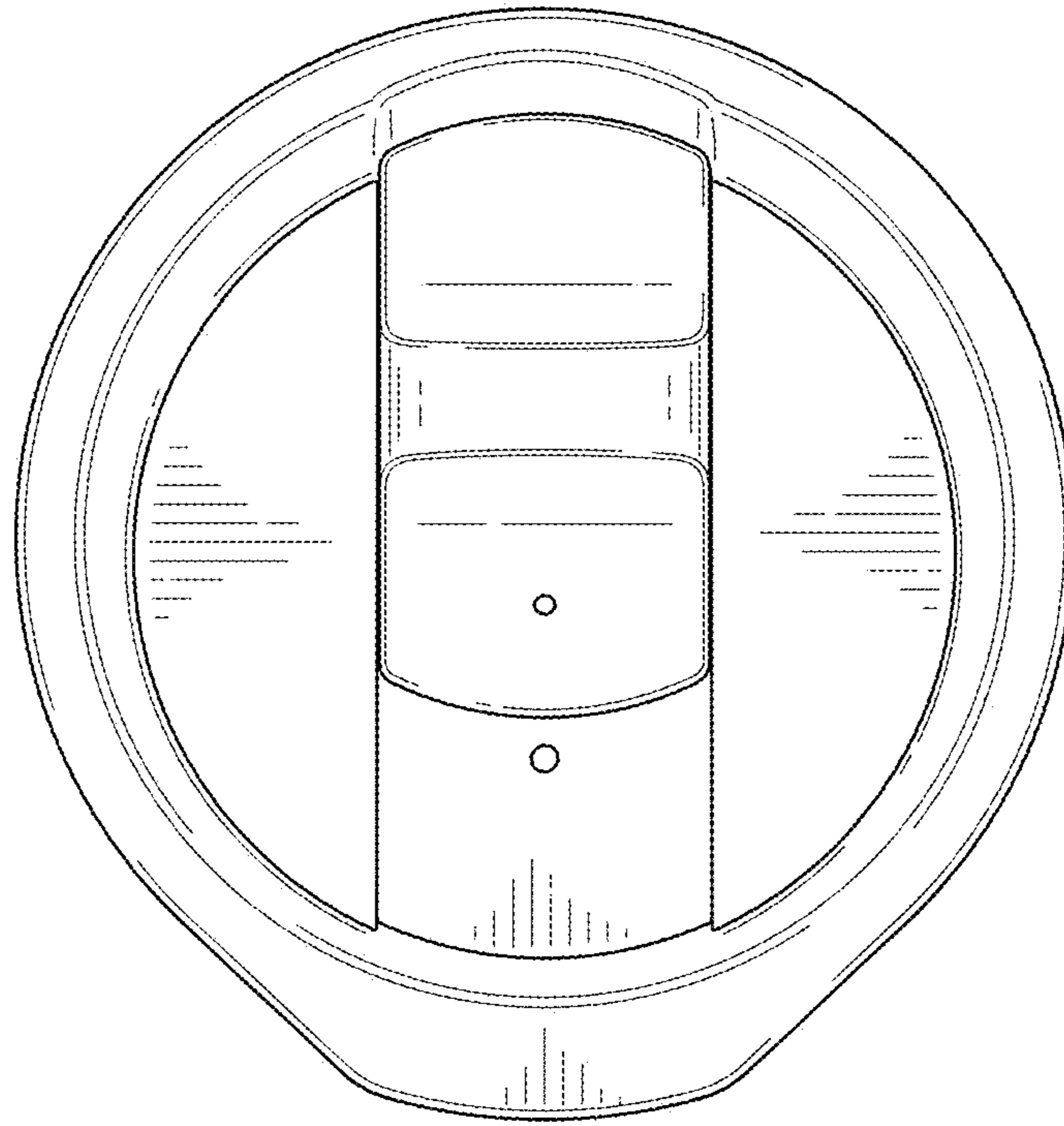


FIG. 14

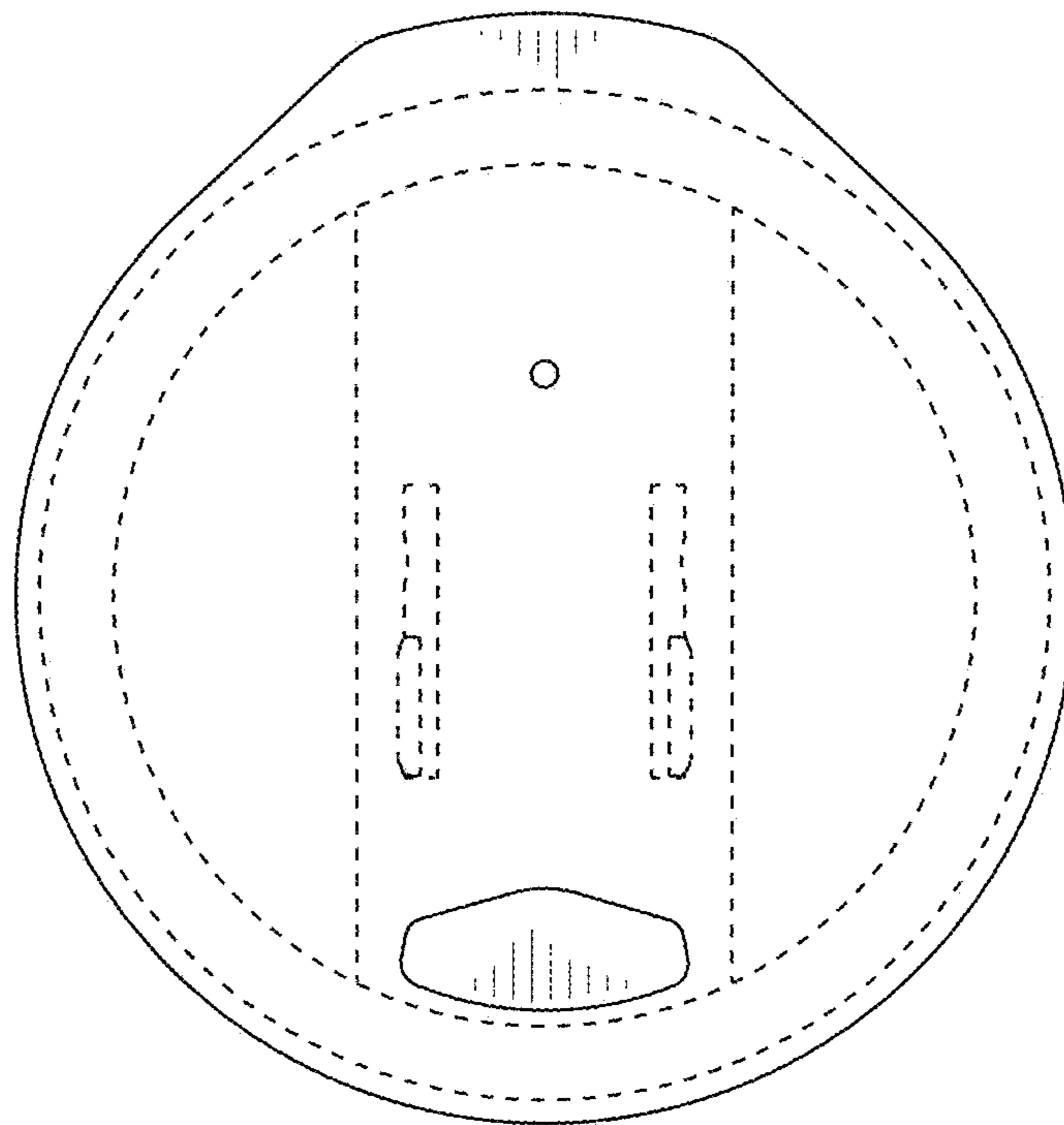


FIG. 15

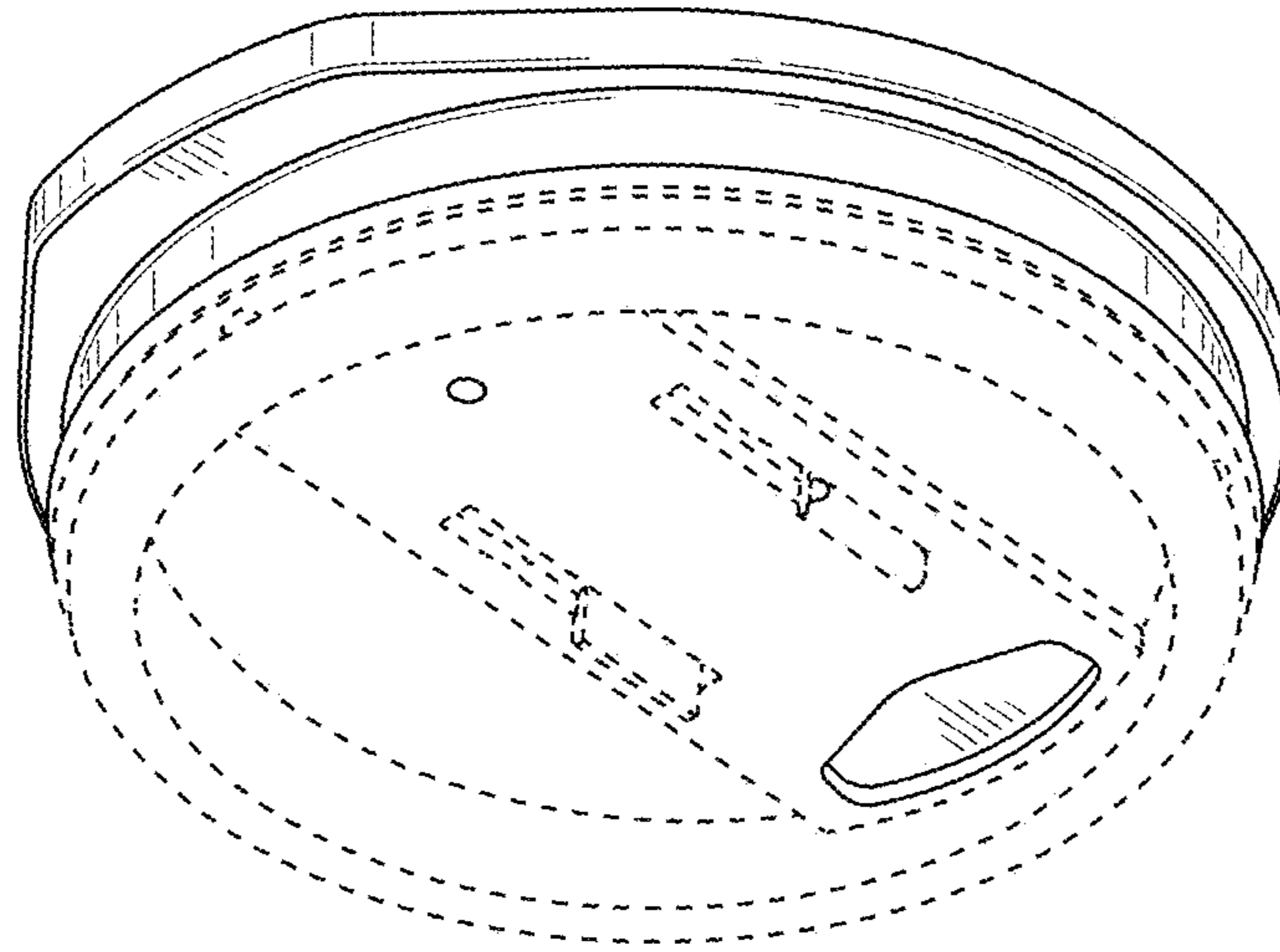


FIG. 16

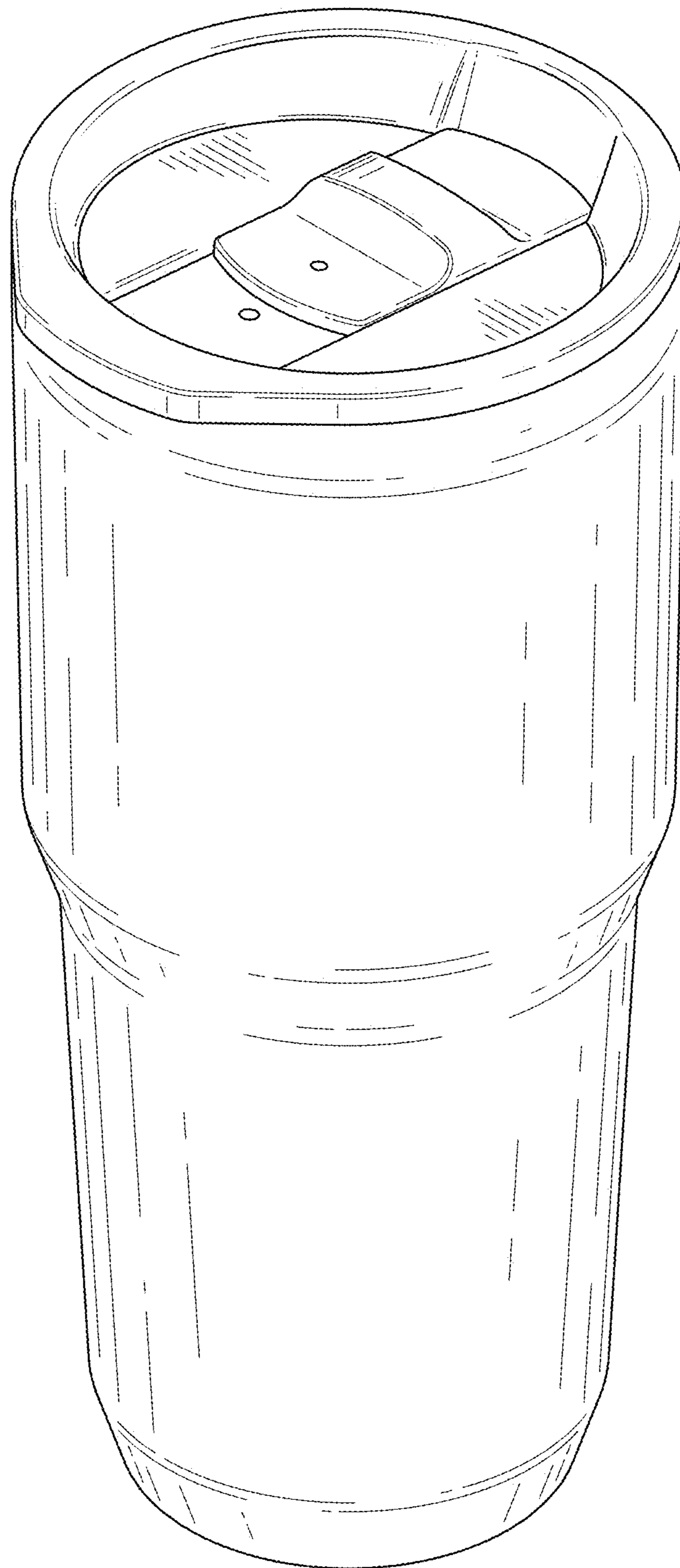


FIG. 17

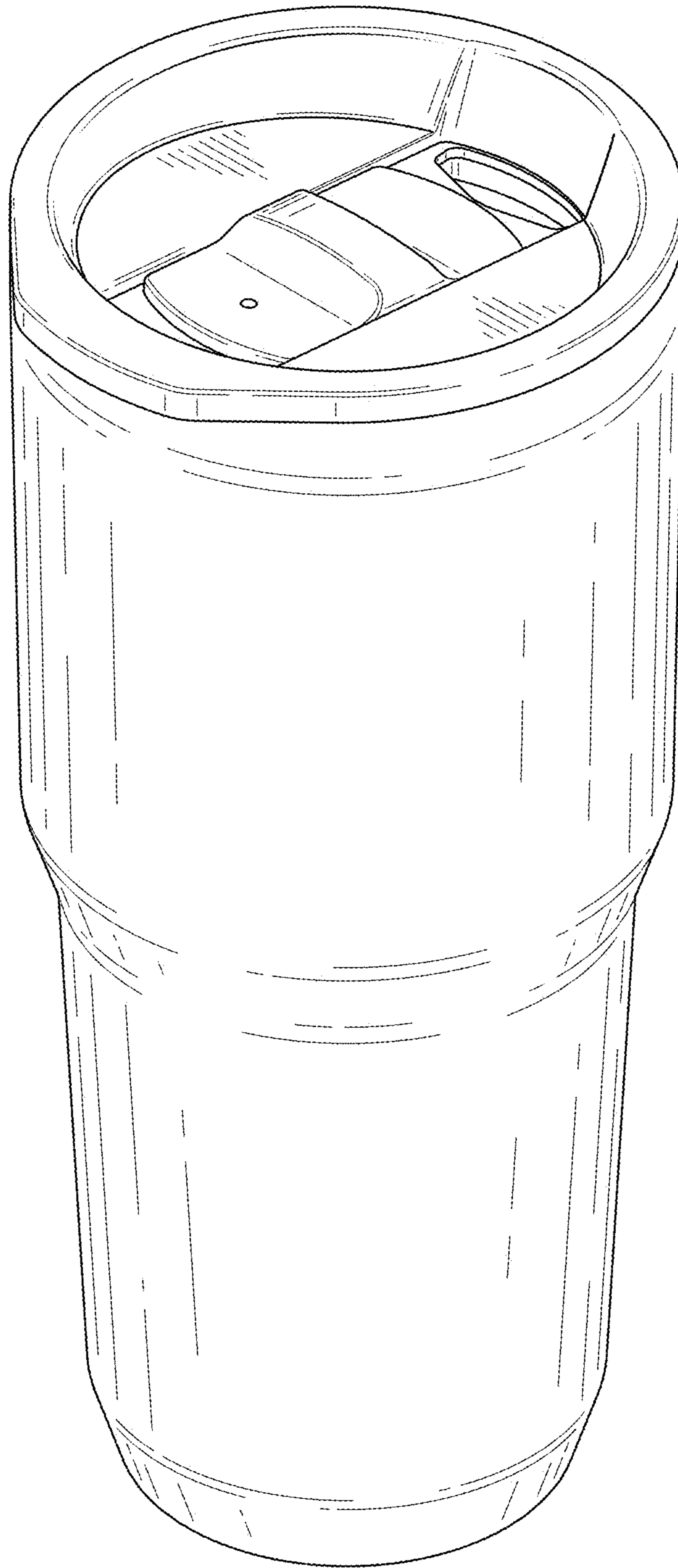


FIG. 18



FIG. 19

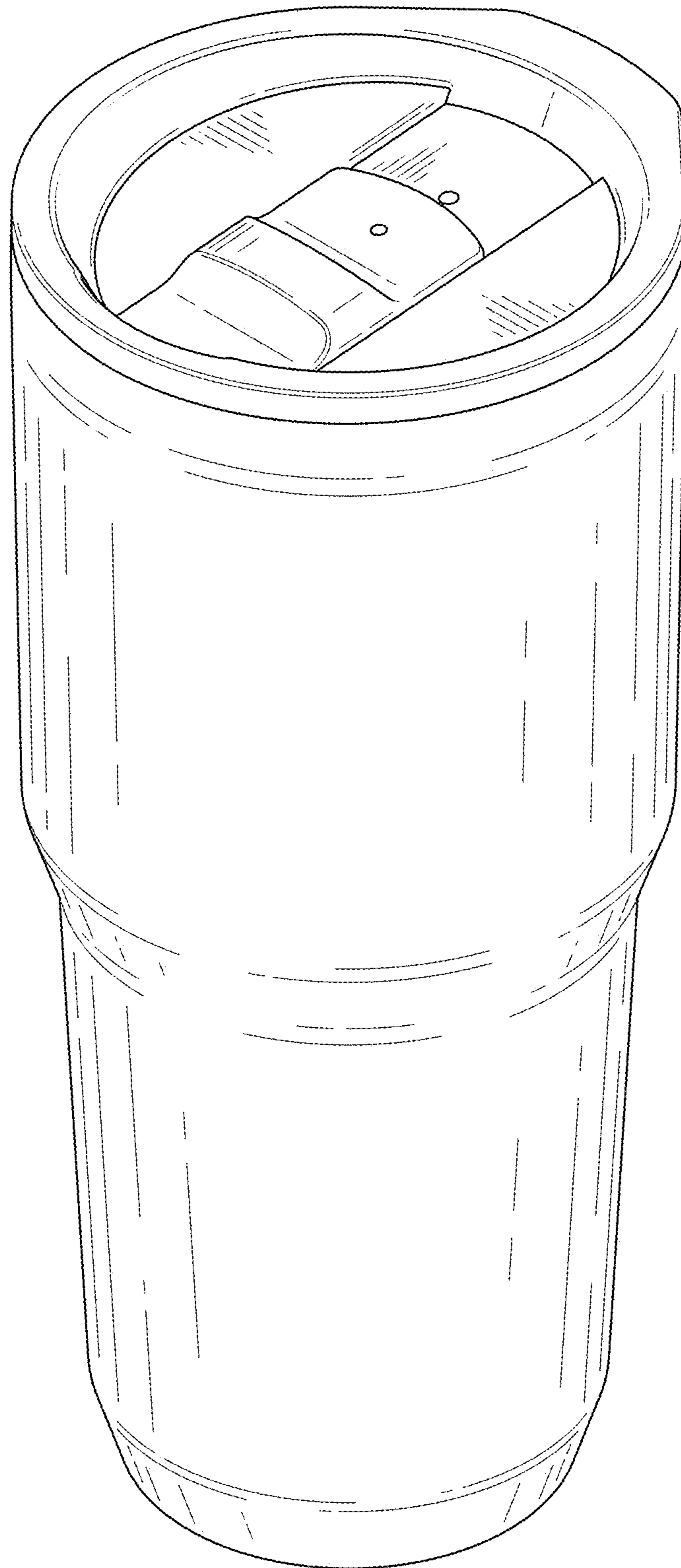


FIG. 20



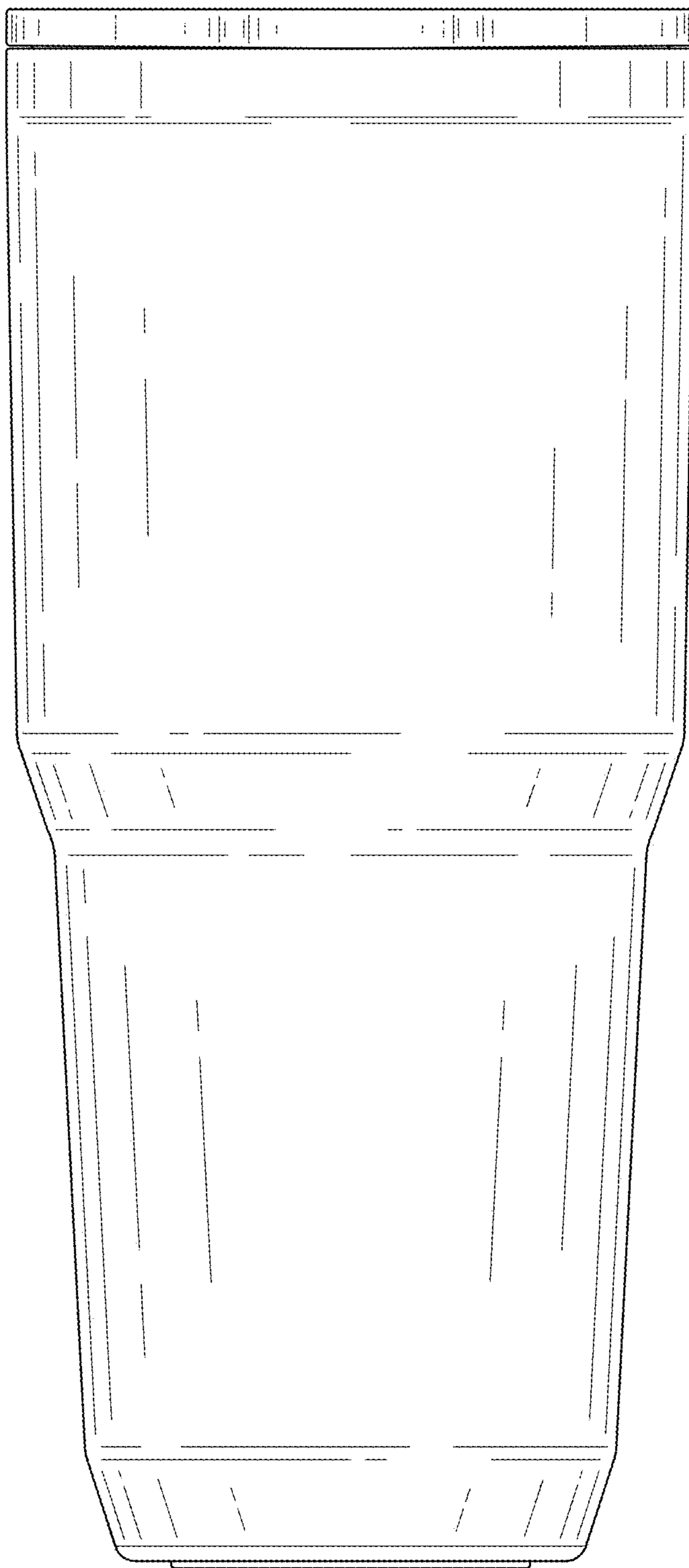


FIG. 21

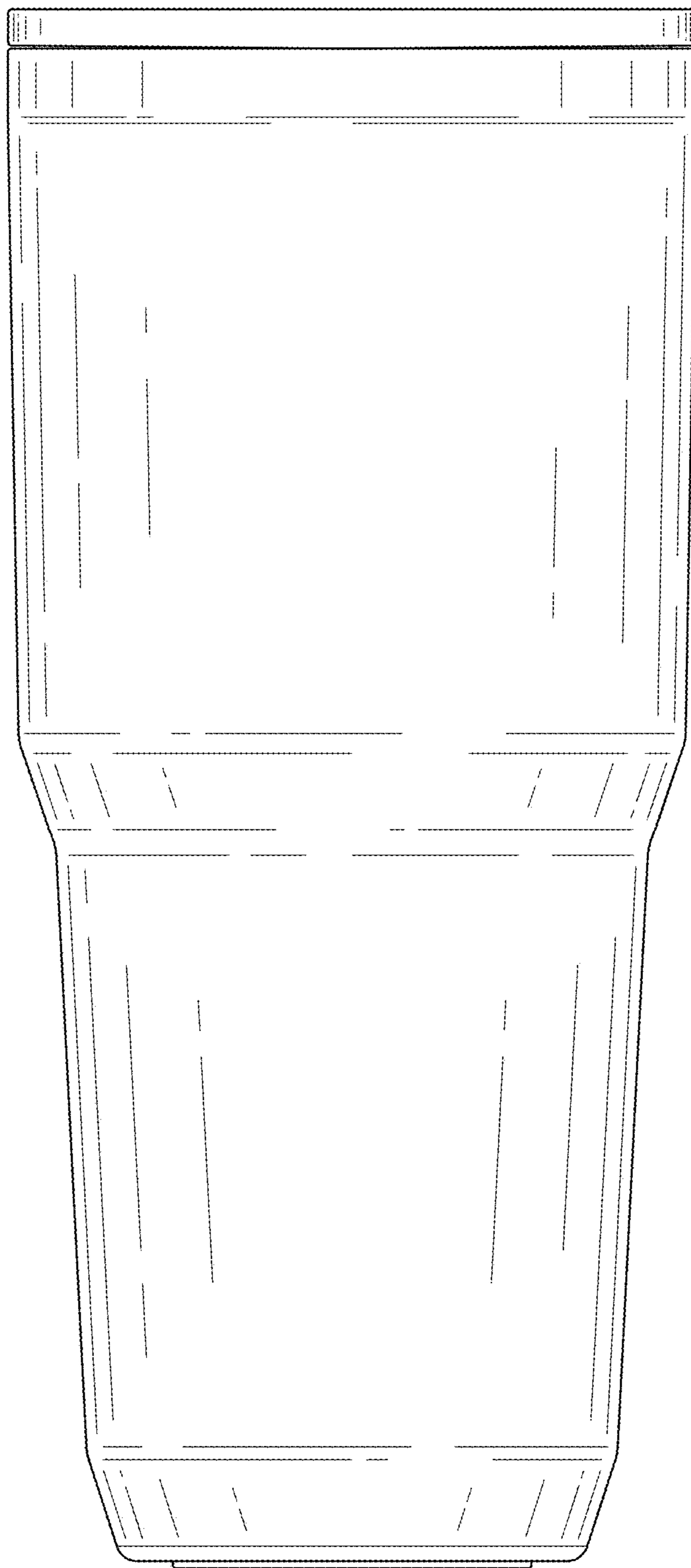


FIG. 22

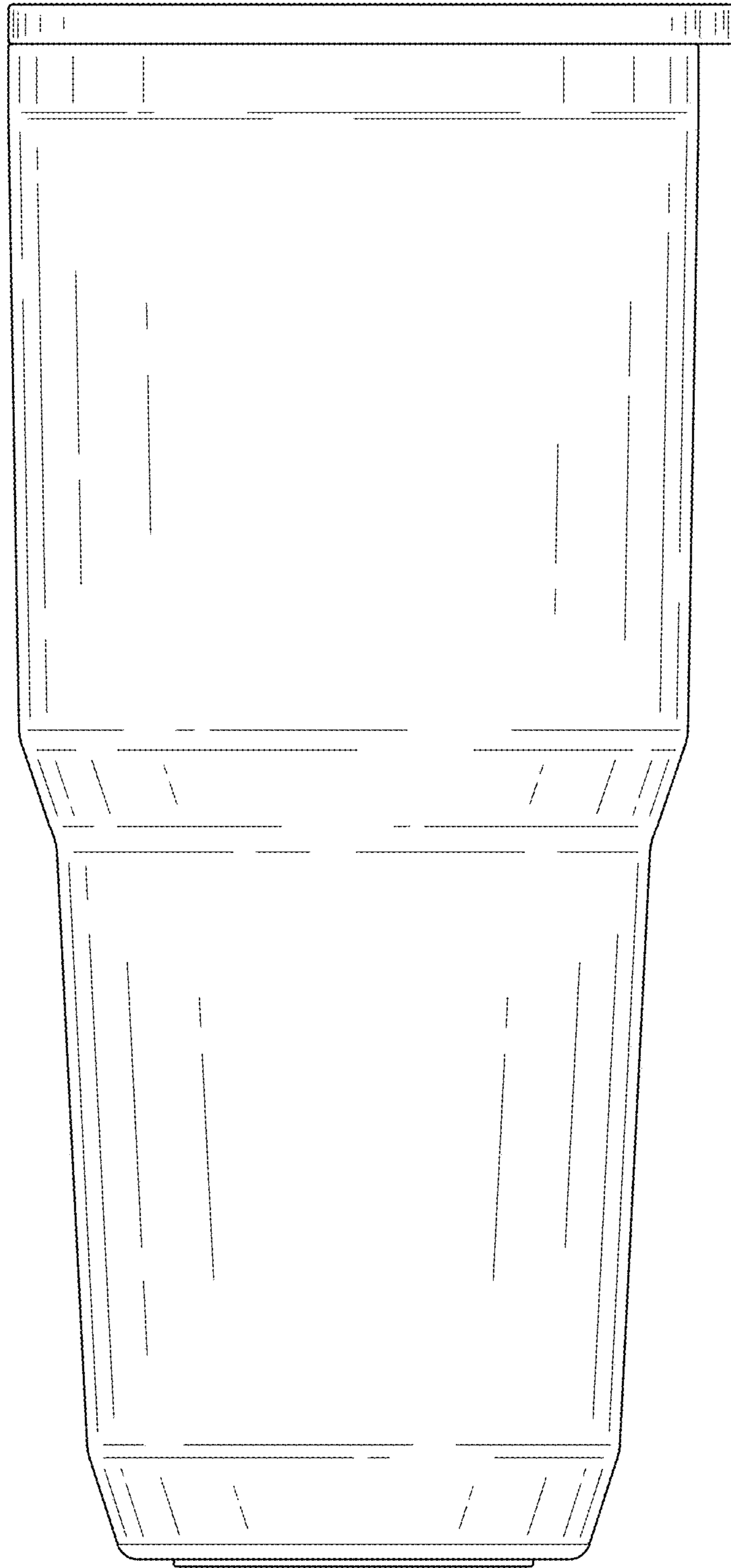


FIG. 23

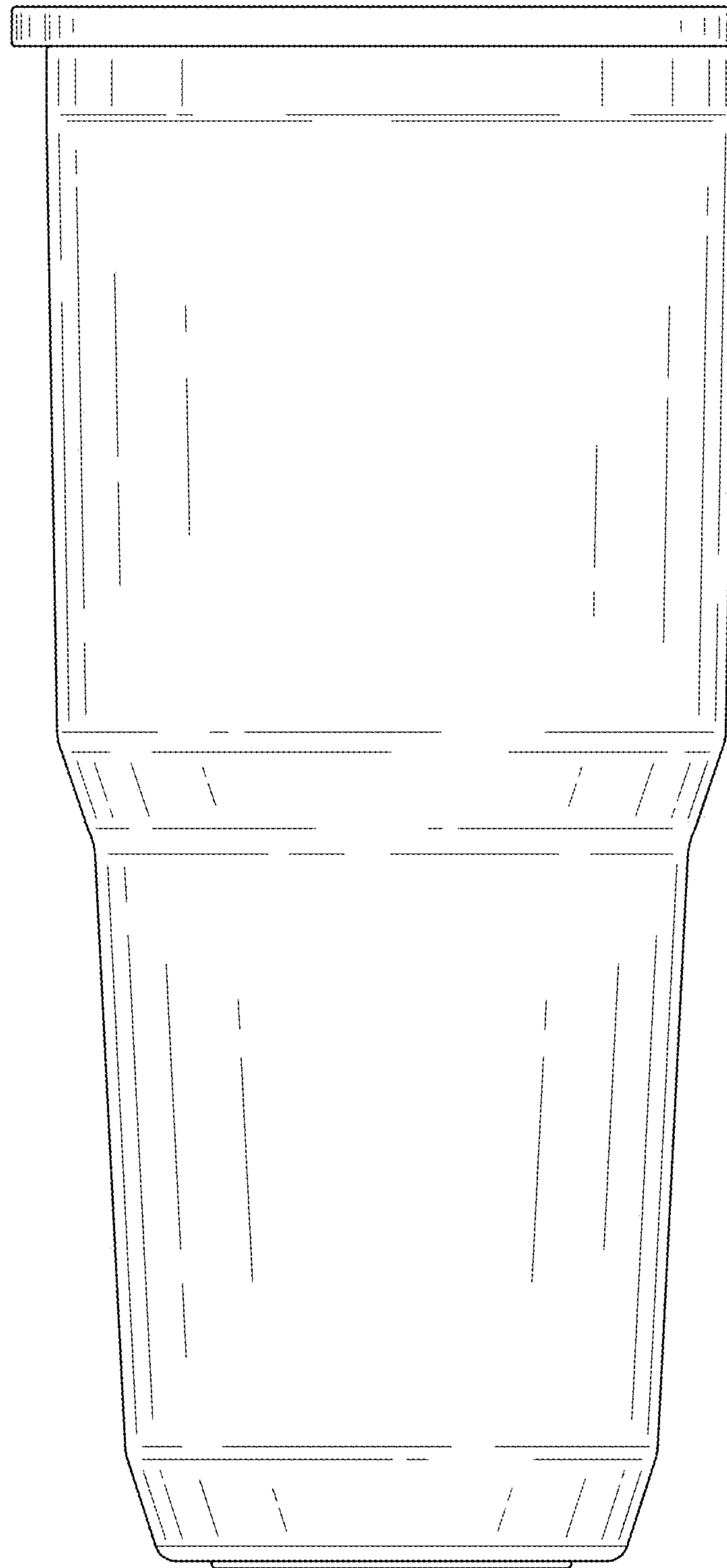


FIG. 24

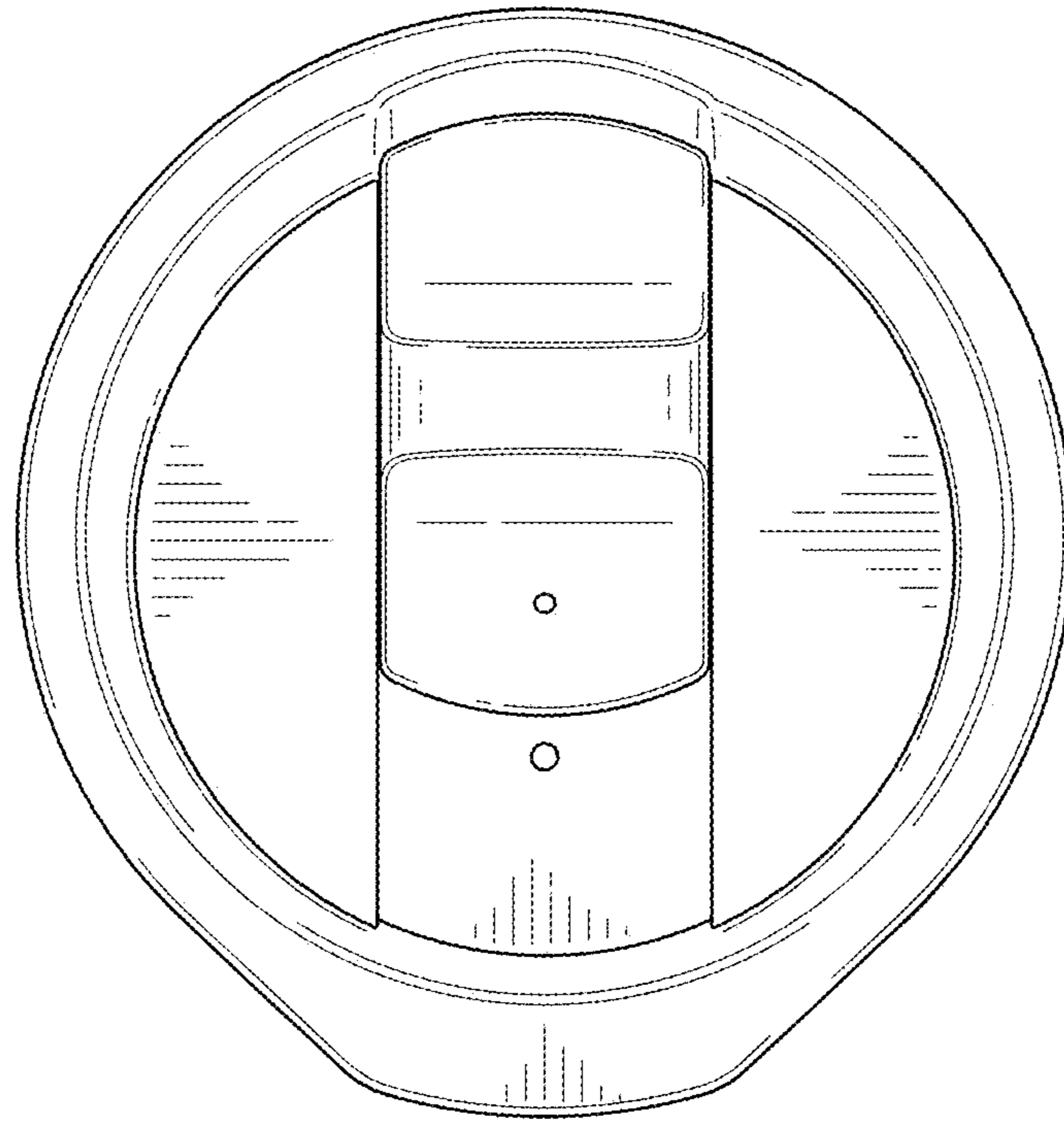


FIG. 25

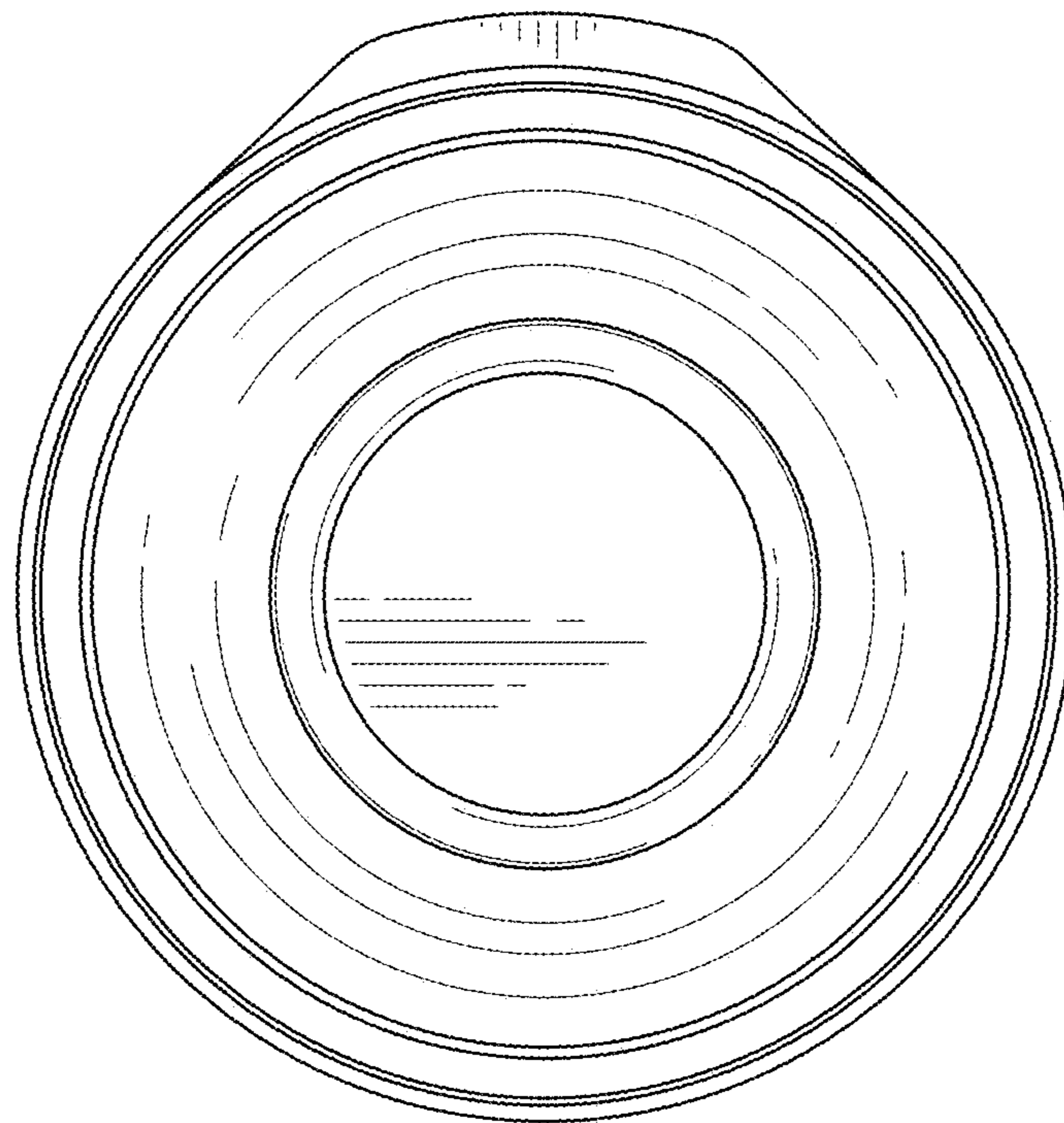


FIG. 26

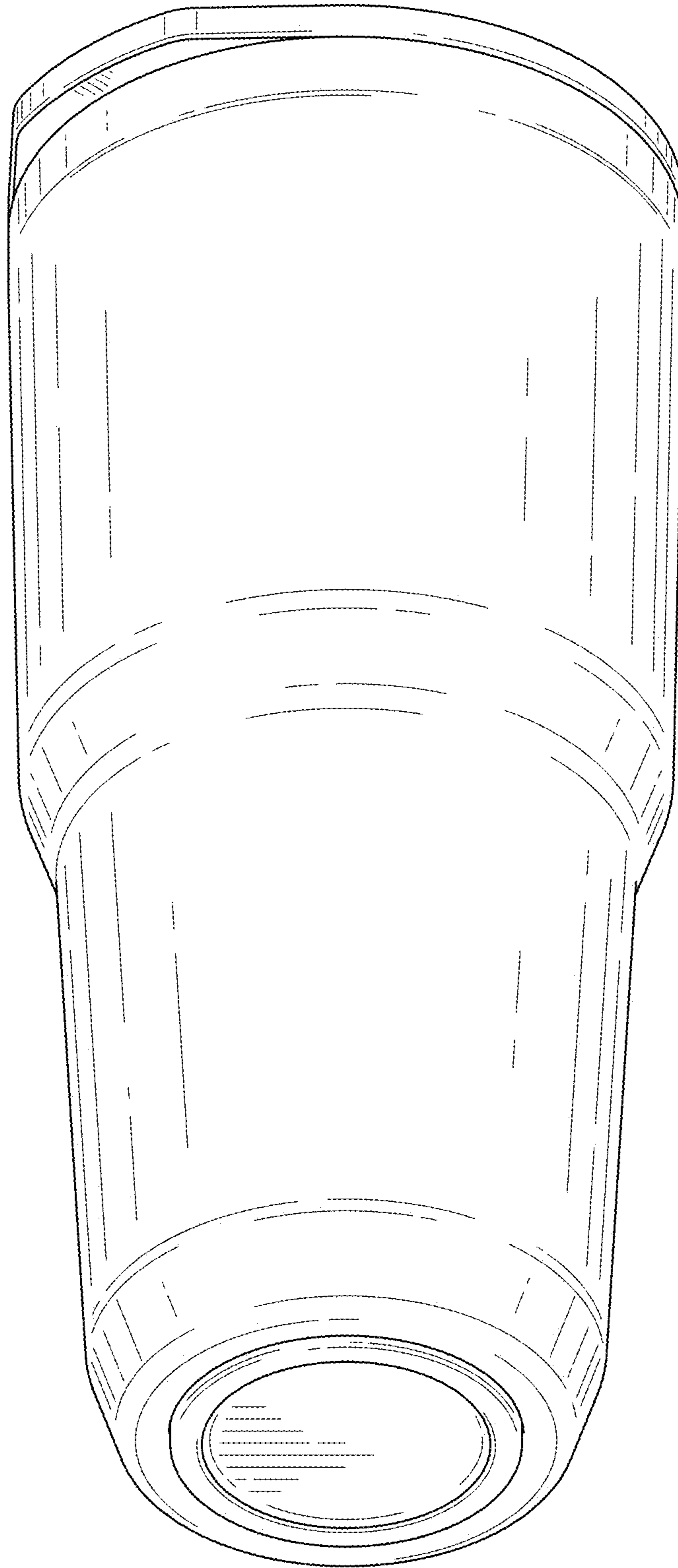


FIG. 27