



US00D980677S

(12) **United States Design Patent**
Ma

(10) **Patent No.:** **US D980,677 S**

(45) **Date of Patent:** **** Mar. 14, 2023**

(54) **CONTAINER**

(71) Applicant: **Jianrong Ma**, Sichuan (CN)

(72) Inventor: **Jianrong Ma**, Sichuan (CN)

(**) Term: **15 Years**

(21) Appl. No.: **29/823,395**

(22) Filed: **Jan. 17, 2022**

(51) **LOC (14) Cl.** **07-01**

(52) **U.S. Cl.**
USPC **D7/510; D7/511**

(58) **Field of Classification Search**
USPC D7/507, 509, 510, 511, 523, 531, 532,
D7/392.1, 396.2, 624.1, 624.2, 519, 514,
D7/515; D9/500, 501, 516, 519, 562,
D9/531, 559, 564, 503, 504; D3/202
CPC A47G 19/22; A47G 19/2205; A47G
19/2288; A47J 41/02; A47J 41/0077;
A47J 43/27; A45F 3/16

See application file for complete search history.

(56) **References Cited**

U.S. PATENT DOCUMENTS

D373,706 S	9/1996	Gregg	
D752,390 S *	3/2016	Ksiazek	D7/300.1
D781,106 S *	3/2017	Boroski	D7/532
D790,923 S *	7/2017	Boroski	D7/532
D821,819 S *	7/2018	Eyal	D7/532

D839,051 S *	1/2019	Potter	D7/532
D842,652 S	3/2019	Huang	
D878,842 S *	3/2020	Wei	D7/529
D897,149 S *	9/2020	Sorensen	D9/449
D900,540 S *	11/2020	Sorensen	D9/449
D952,404 S *	5/2022	Zhou	D7/509
2017/0225850 A1 *	8/2017	Sorensen	B65D 25/56

OTHER PUBLICATIONS

<https://a.co/d/jdqboEQ> Apr. 10, 2019 (Year: 2019).*

* cited by examiner

Primary Examiner — Jae Liang

(57) **CLAIM**

The ornamental design for a container, as shown and described.

DESCRIPTION

FIG. 1 is a perspective view of a container showing my new design;

FIG. 2 is a front view thereof;

FIG. 3 is a rear view thereof;

FIG. 4 is a right side view thereof;

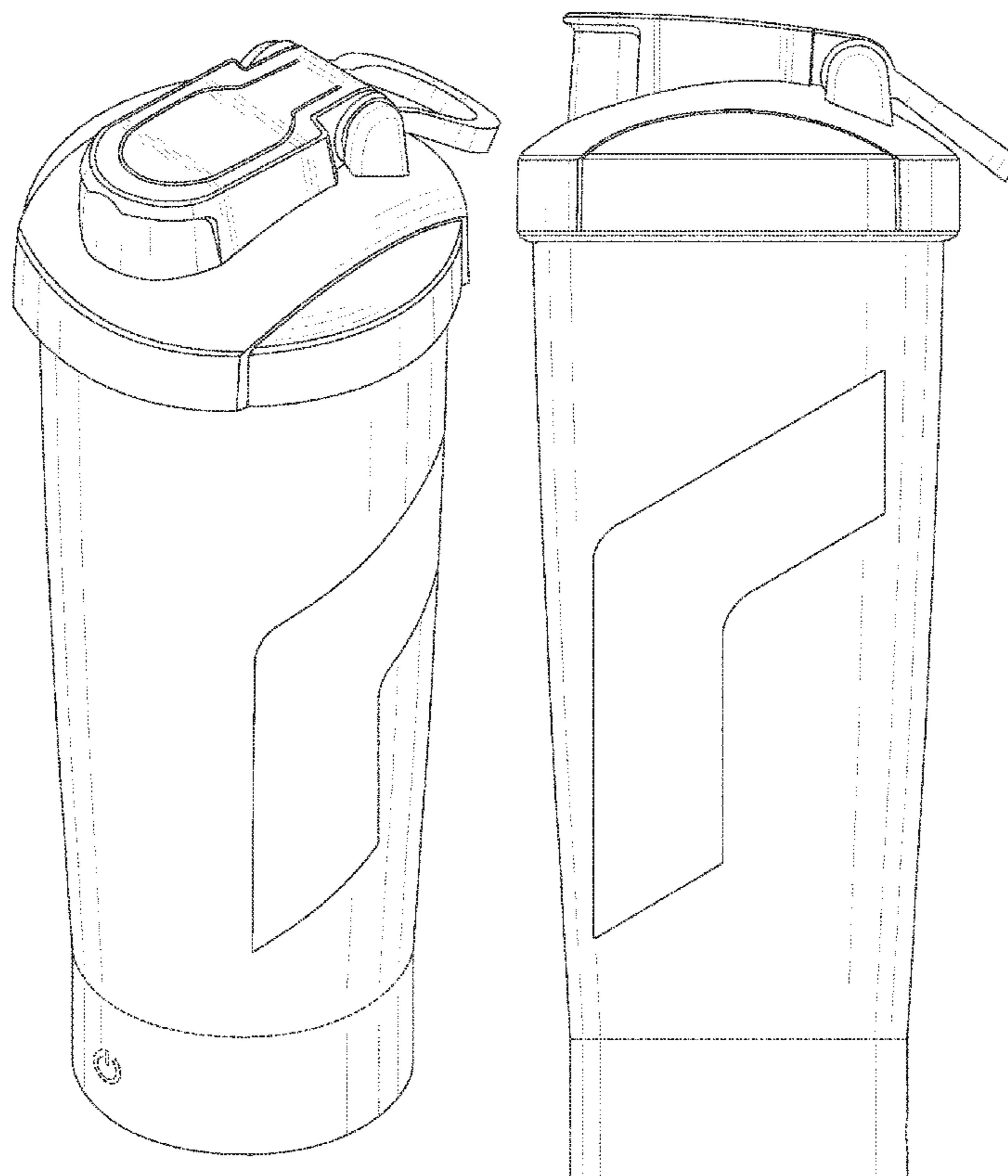
FIG. 5 is a left side view thereof;

FIG. 6 is a top plan view thereof; and,

FIG. 7 is a bottom plan view thereof.

The broken lines in the drawings depict portions of the container only and form no part of the claimed design.

1 Claim, 7 Drawing Sheets



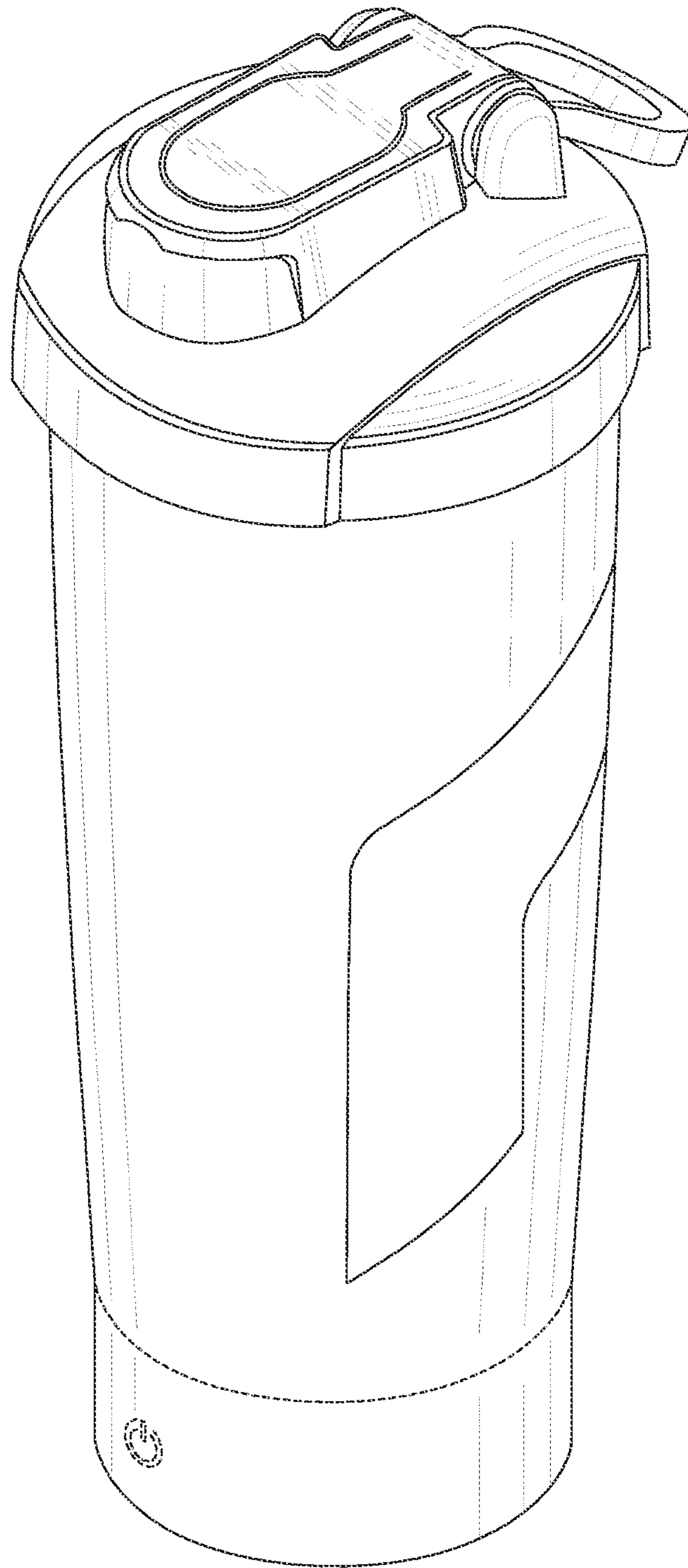


FIG. 1

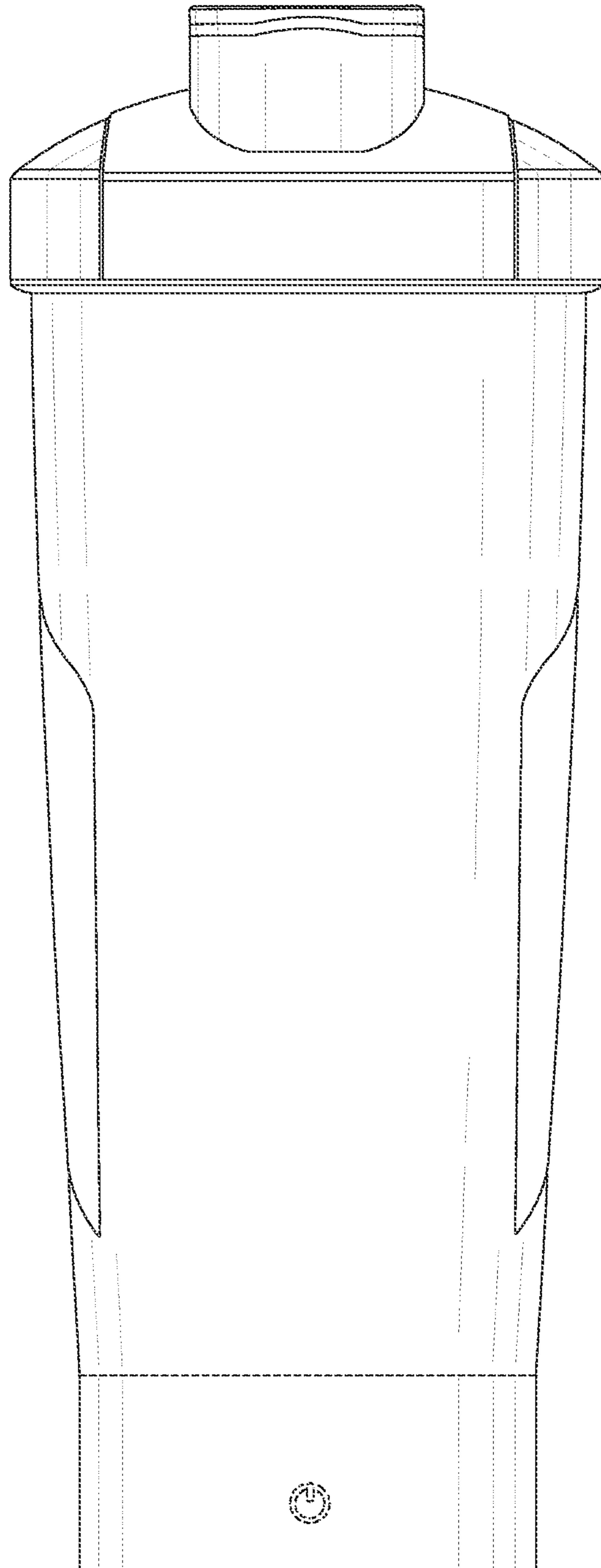


FIG. 2

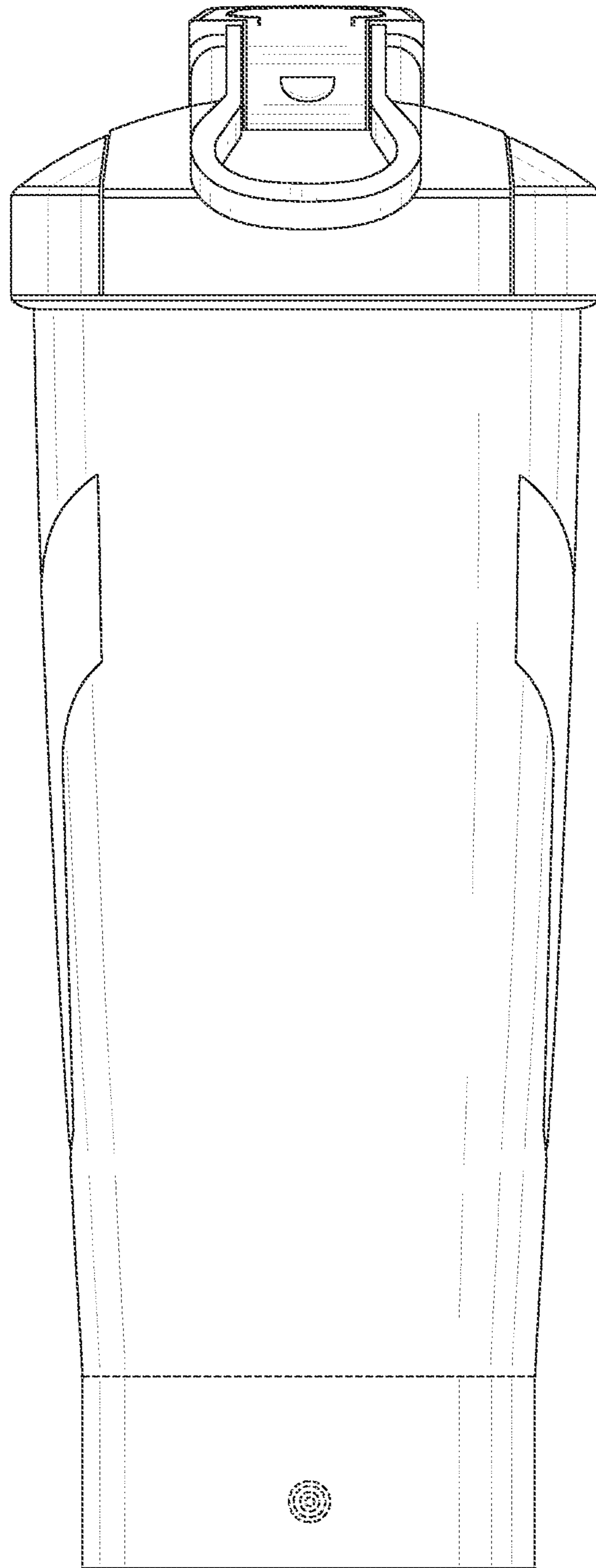


FIG. 3

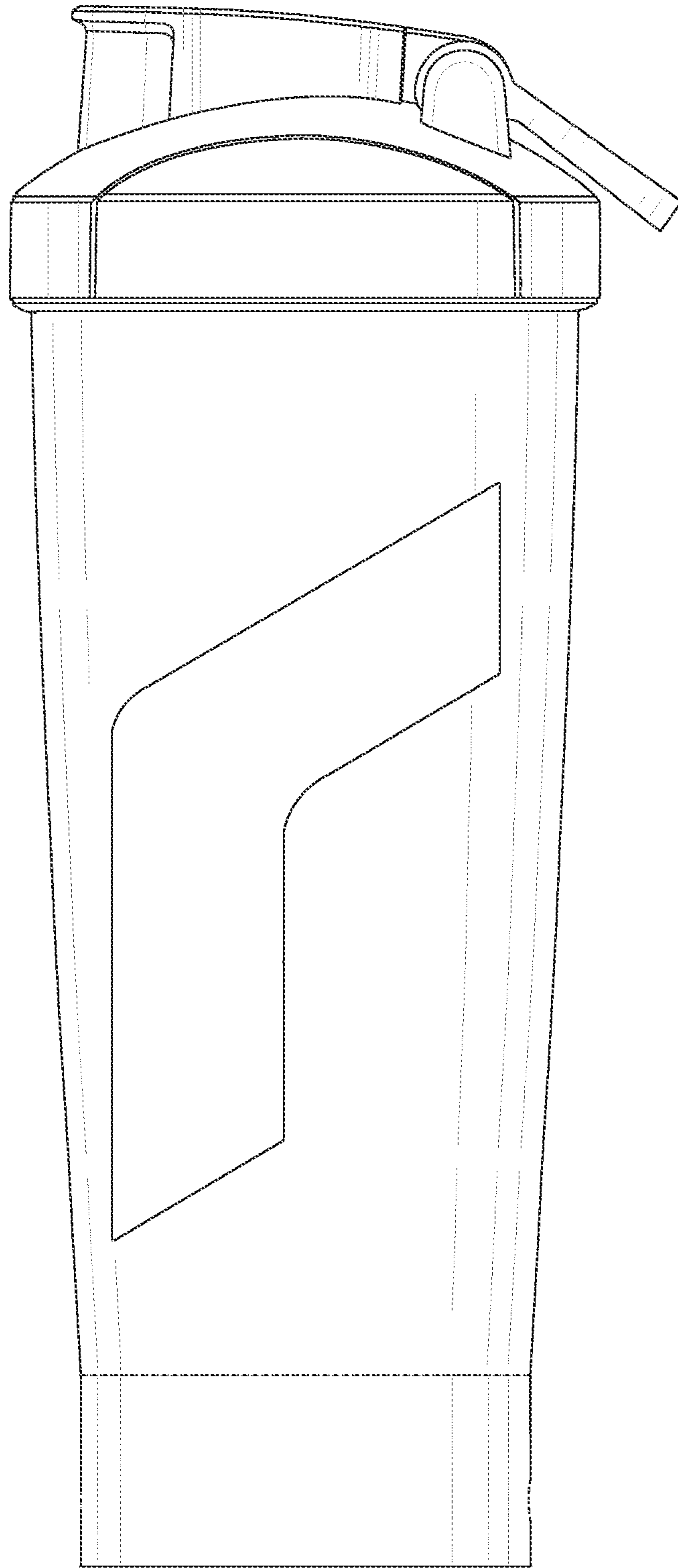


FIG. 4

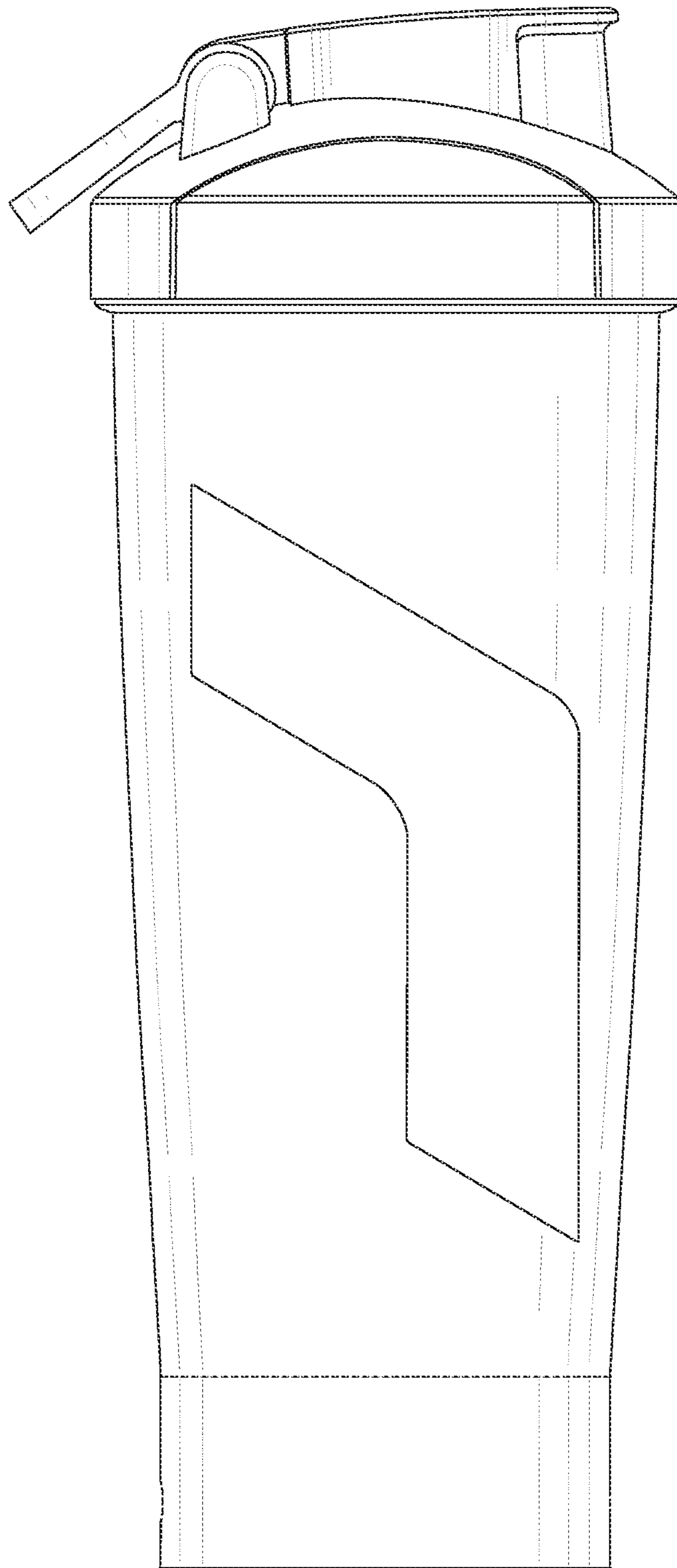


FIG. 5

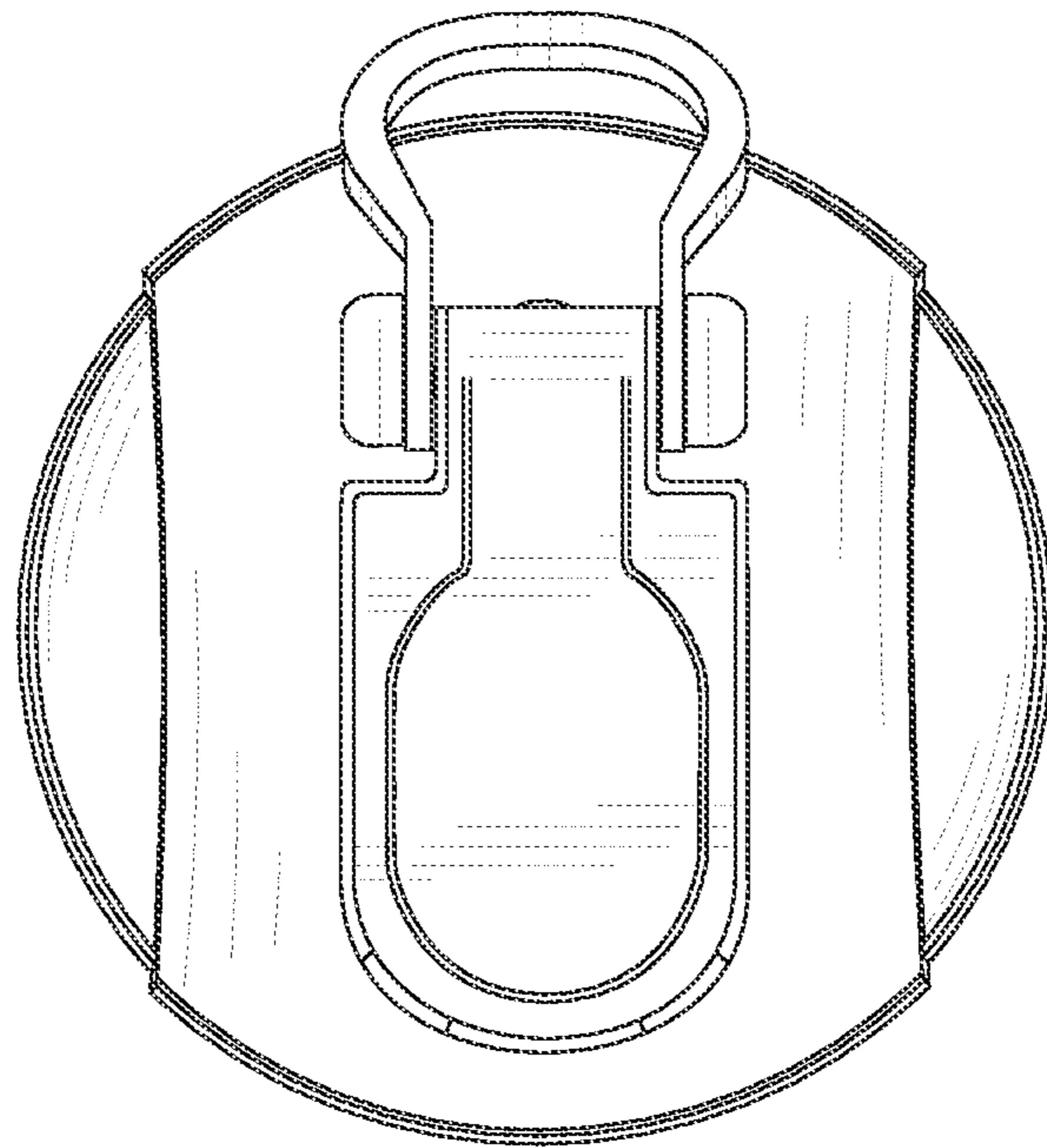


FIG. 6

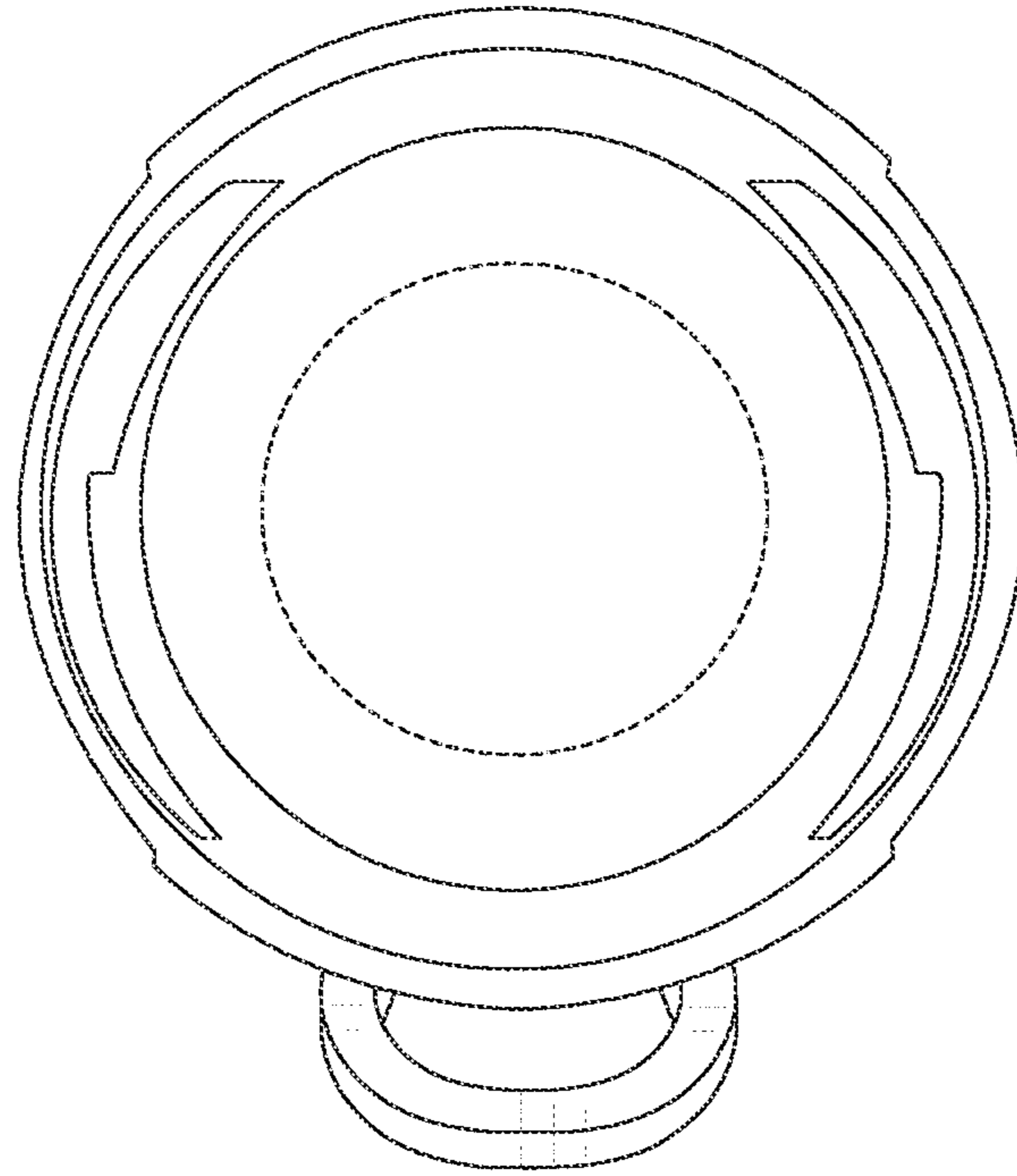


FIG. 7