



US00D980676S

(12) **United States Design Patent**
Rowe

(10) **Patent No.:** **US D980,676 S**
(45) **Date of Patent:** **** Mar. 14, 2023**

(54) **FOOD SERVICE ASSEMBLY**
(71) Applicant: **Daina Rowe**, Upper Darby, PA (US)
(72) Inventor: **Daina Rowe**, Upper Darby, PA (US)
(**) Term: **15 Years**

3,366,303 A * 1/1968 Kaspar A47G 23/06
206/427
3,498,470 A * 3/1970 Thomas A47G 23/06
211/74
3,704,779 A 12/1972 Nigg
D226,446 S * 3/1973 Wilton et al. D7/536
(Continued)

(21) Appl. No.: **29/737,696**
(22) Filed: **Jun. 11, 2020**
(51) **LOC (14) Cl.** **07-01**
(52) **U.S. Cl.**
USPC **D7/505; D7/507**
(58) **Field of Classification Search**
USPC D7/505, 507, 512, 550.11, 551.1, 552.2,
D7/553.1, 553.2, 553.4, 553.5, 553.6,
D7/553.7, 555, 602, 400, 544, 571.3, 584,
D7/629, 541, 545, 532, 536, 642, 643,
D7/644, 645, 653, 698, 614; D11/152;
D19/103; D30/129, 133, 130
CPC A47J 39/02; B65D 5/48018; B67B 7/38;
A47G 23/06; A47G 19/06; A47G
23/0225; A47G 19/10; A47G 19/02;
A47G 23/0303; A47G 21/06
See application file for complete search history.

FOREIGN PATENT DOCUMENTS

EM 002694349-0001 * 6/2015
EM 005643400-0002 * 2/2021

OTHER PUBLICATIONS

[EZPZ Mini Bowl], available in Amazon.com, customer review oldest date Feb. 24, 2019 [online], [site visited Oct. 17, 2022], Available from the internet URL: <https://www.amazon.com/ezpz-Mini-Bowl-Gray/dp/B077Y6QZZ2> (Year: 2019).*

Primary Examiner — Jae Liang
Assistant Examiner — Ji Sun Yoon

(57) **CLAIM**

The ornamental design for a food service assembly, as shown and described.

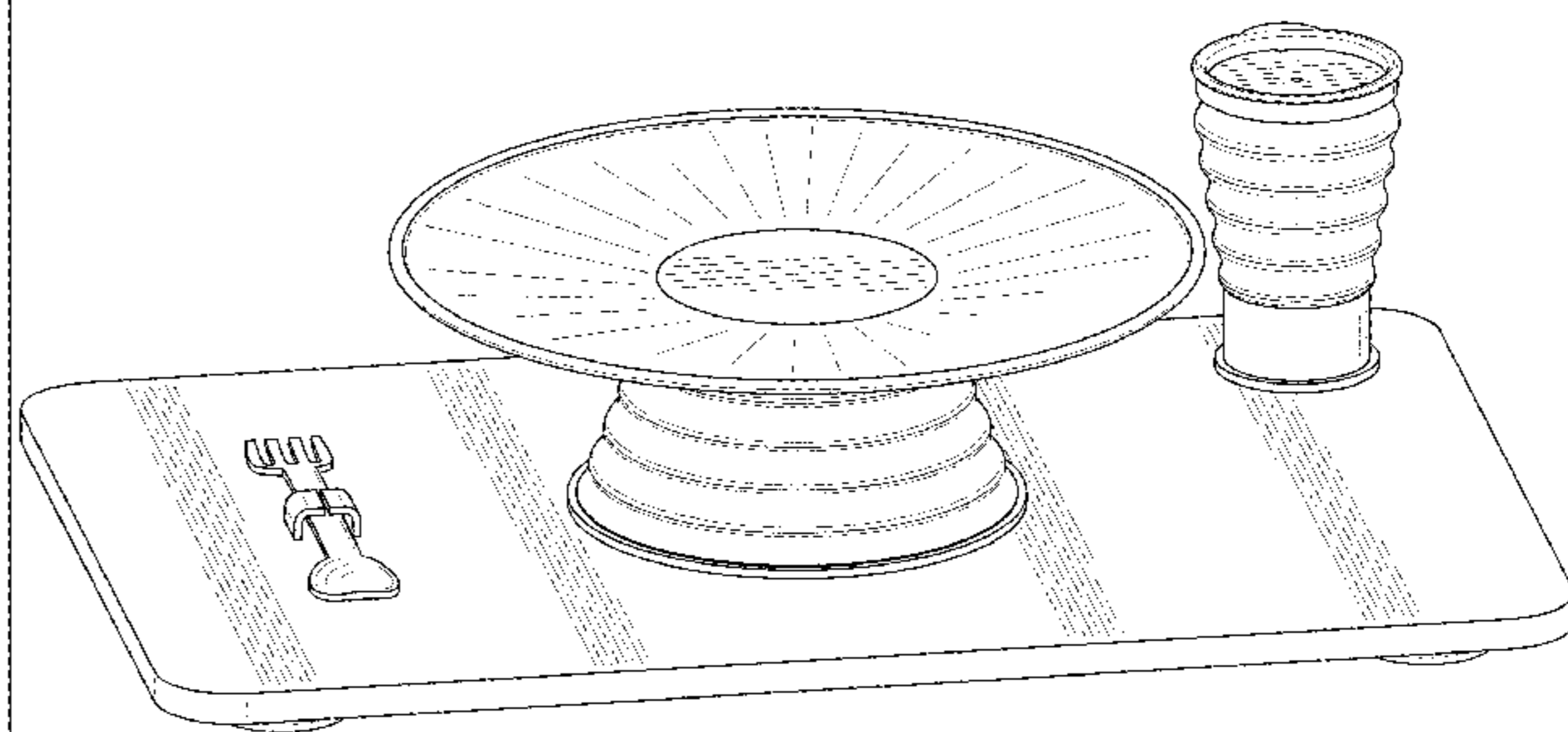
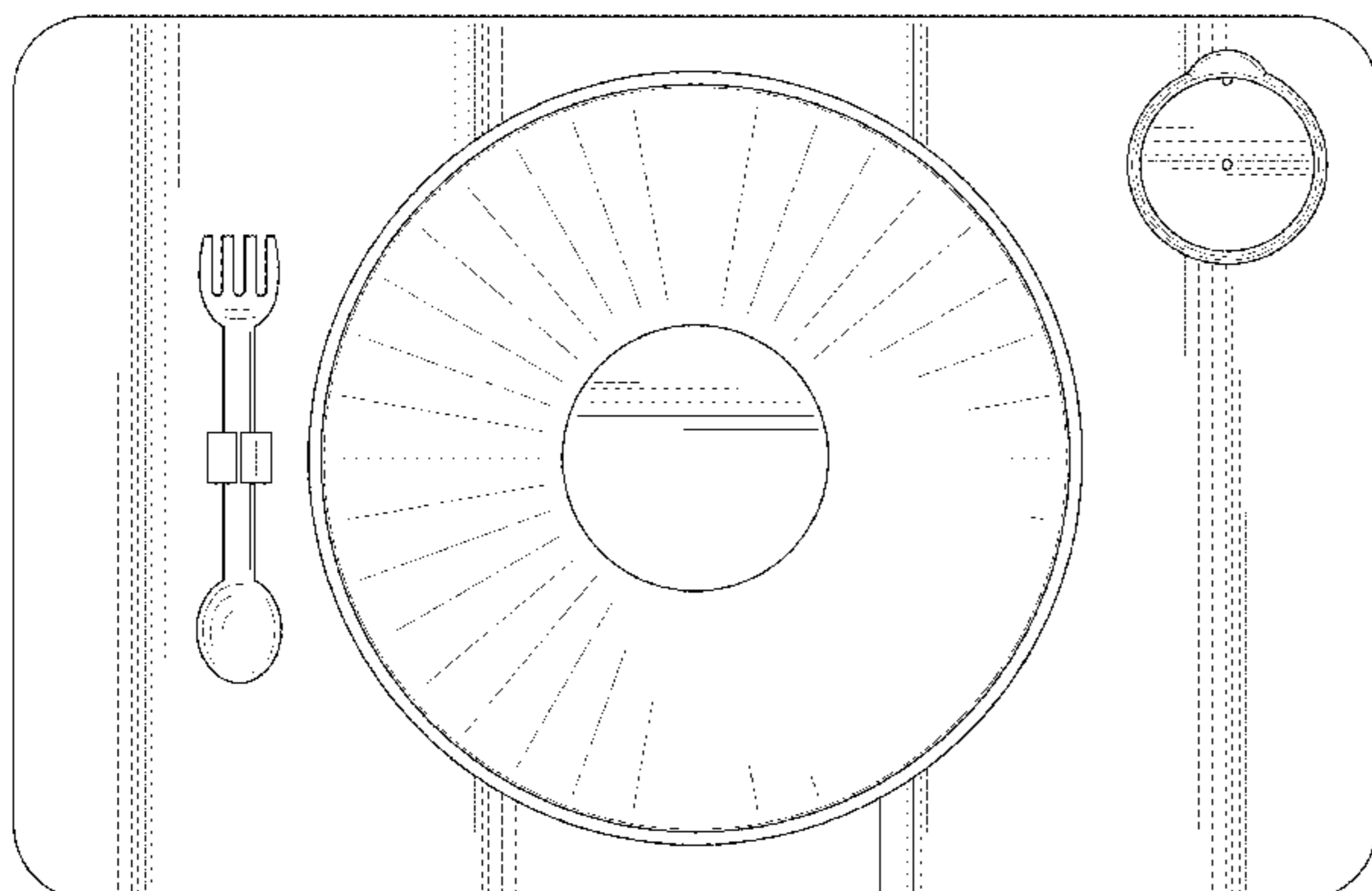
DESCRIPTION

FIG. 1 is a front view of a food service assembly showing my new design;
FIG. 2 is a rear view of the food service assembly;
FIG. 3 is a right side view of the food service assembly;
FIG. 4 is a left side view of the food service assembly;
FIG. 5 is a top view of the food service assembly;
FIG. 6 is a bottom view of the food service assembly;
FIG. 7 is a bottom front side perspective view of the food service assembly;
FIG. 8 is a top rear side perspective view of the food service assembly; and,
FIG. 9 is a bottom front side perspective view of the food service assembly in an alternate position.

1 Claim, 7 Drawing Sheets

(56) **References Cited**
U.S. PATENT DOCUMENTS

D30,129 S * 2/1899 Whitcomb et al. D7/644
849,098 A * 4/1907 Aufrechtig B67B 7/38
30/147
D123,047 S * 10/1940 Brooks D7/505
2,318,129 A * 5/1943 Torode A47G 21/06
30/147
D182,243 S * 3/1958 McCaig D7/553.1
2,924,372 A * 2/1960 Kirkeby B65D 5/48018
D7/505
3,019,783 A * 2/1962 Clarke A47J 39/02
126/246
3,029,969 A * 4/1962 Werner A47G 23/06
D7/505



(56)

References Cited

U.S. PATENT DOCUMENTS

D226,830 S *	5/1973	Bridges	A47G 23/06	D652,259 S *	1/2012	Hatcher	D7/553.5
			D7/553.5	D653,083 S *	1/2012	Hatcher	D7/553.5
D229,073 S *	11/1973	Brickel	119/61.5	8,167,129 B2 *	5/2012	Hatcher	A47G 23/06
D229,601 S *	12/1973	Bridges	D7/553.5				220/574.3
D235,300 S *	6/1975	Mountain, Jr. et al.	A47G 19/06	D664,003 S *	7/2012	Nagoya	D7/400
			D7/505	D684,438 S *	6/2013	Joseph	D7/698
D242,515 S *	11/1976	Shumrak	A47G 23/0225	D686,459 S *	7/2013	Maggio	D7/553.1
			D7/553.5	D710,650 S	8/2014	Blum	
D244,738 S *	6/1977	Juhlin	A47G 19/06	D717,114 S *	11/2014	Katterheinrich	D7/505
			D7/536	D718,093 S *	11/2014	Miksovsky	D7/643
D259,669 S *	6/1981	Peterson	D30/130	D732,897 S *	6/2015	Clark	D7/553.2
D304,658 S *	11/1989	Mattei	D7/553.6	D745,327 S *	12/2015	Laurain	D6/614
D336,407 S *	6/1993	Harding	D7/553.4	D746,640 S	1/2016	Myoung	
D336,592 S *	6/1993	DeGrow	D7/553.5	D753,447 S *	4/2016	Busboom	D7/642
D344,436 S *	2/1994	Walls	D7/553.4	D755,588 S *	5/2016	Poure	D7/698
D354,201 S *	1/1995	van de Graaf, Jr.	A47G 19/10	9,427,100 B1	8/2016	Coyle	
			D7/553.1	D766,659 S *	9/2016	Laurain	D7/544
D356,009 S *	3/1995	Branch	D7/552.2	D766,660 S *	9/2016	Laurain	D7/544
5,419,455 A *	5/1995	Rousseau	A47G 19/06	D767,941 S *	10/2016	Laurain	D7/505
			206/564	9,462,903 B2 *	10/2016	Laurain	A47G 19/02
5,429,266 A	7/1995	D'Oliveira		D785,406 S *	5/2017	Wansink	D7/553.2
D363,857 S *	11/1995	Sussman	D7/552.2	D796,908 S *	9/2017	Dennis	D7/553.2
D400,405 S *	11/1998	Thaler	A47G 23/06	D802,368 S *	11/2017	Peng	D7/553.2
			D7/553.2	D807,705 S *	1/2018	Laurain	D7/505
5,845,403 A *	12/1998	Nivin	A47G 21/06	D812,433 S *	3/2018	Kwok	D7/553.4
			30/147	D813,610 S *	3/2018	Dekutoski, Jr.	D7/553.5
D411,709 S *	6/1999	Curtis	D7/553.4	D816,432 S *	5/2018	Huang	D7/643
D436,500 S *	1/2001	Kearney	D7/553.5	D818,318 S *	5/2018	Zhou	D7/553.2
D469,310 S *	1/2003	Bukowski	D7/553.1	D836,990 S *	1/2019	Hakim	D7/642
D483,225 S *	12/2003	Gain	D7/532	D843,177 S *	3/2019	Gonterman	D7/642
D530,985 S *	10/2006	Evans	D7/644	D850,858 S *	6/2019	Roaks	A47G 23/06
D536,277 S *	2/2007	Cabeza	D11/152				D7/643
D554,956 S *	11/2007	Ahearn	D7/698	D870,982 S *	12/2019	Tsai	D7/643
D563,176 S *	3/2008	Gruneisen, III	D7/553.2	D880,245 S *	4/2020	Packard	D7/643
D571,614 S *	6/2008	Curtin	A47G 19/02	D888,497 S *	6/2020	Cai	D7/643
			D7/545	10,772,447 B2 *	9/2020	Roaks	A47G 21/06
D576,449 S *	9/2008	Boudewijns	D7/553.5				30/147
D582,101 S *	12/2008	Shamoon	D30/129	D902,659 S *	11/2020	Manos	B67B 7/38
D587,970 S *	3/2009	Zack	D7/541				30/147
7,588,163 B1	9/2009	Wilson		D907,964 S *	1/2021	DeYang	D7/644
D604,120 S *	11/2009	Curtin	A47G 23/0303	D909,821 S *	2/2021	Fraze	D7/643
			D7/629	D910,386 S *	2/2021	Pontano	D7/643
D609,060 S *	2/2010	Pal	D7/642	D925,291 S *	7/2021	Kellow, Jr.	D7/644
D611,306 S *	3/2010	Zack	D19/103	D945,082 S *	3/2022	Babal	D7/698
D623,902 S *	9/2010	Henderson	D7/553.2	D955,176 S *	6/2022	Kellow, Jr.	D7/698
D633,344 S *	3/2011	Nordwall	D7/644	2007/0131697 A1	6/2007	Waldie	
D634,584 S *	3/2011	Bergkvist	D7/553.7	2011/0174677 A1 *	7/2011	Blondeel	A47G 19/06
D642,433 S *	8/2011	Tuan	D7/400				264/319
D645,705 S *	9/2011	Shamoon	A47G 19/02	2016/0073805 A1 *	3/2016	Laurain	A47G 23/0303
			D7/584				220/574
				2017/0280904 A1 *	10/2017	Laurain	A47G 19/02
				2021/0345806 A1 *	11/2021	Rowe	A47G 23/0225
							D7/698

* cited by examiner

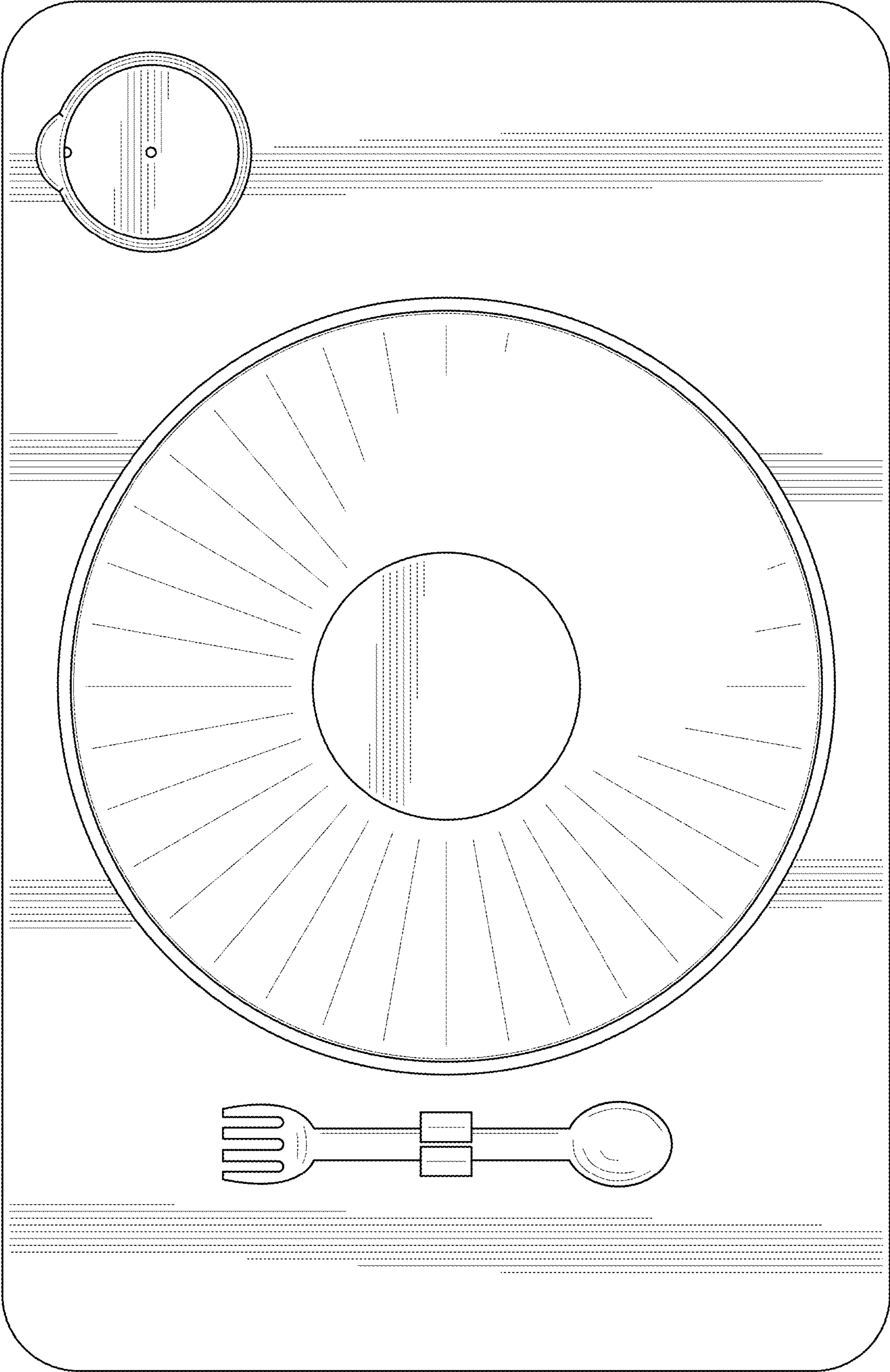


FIG. 1

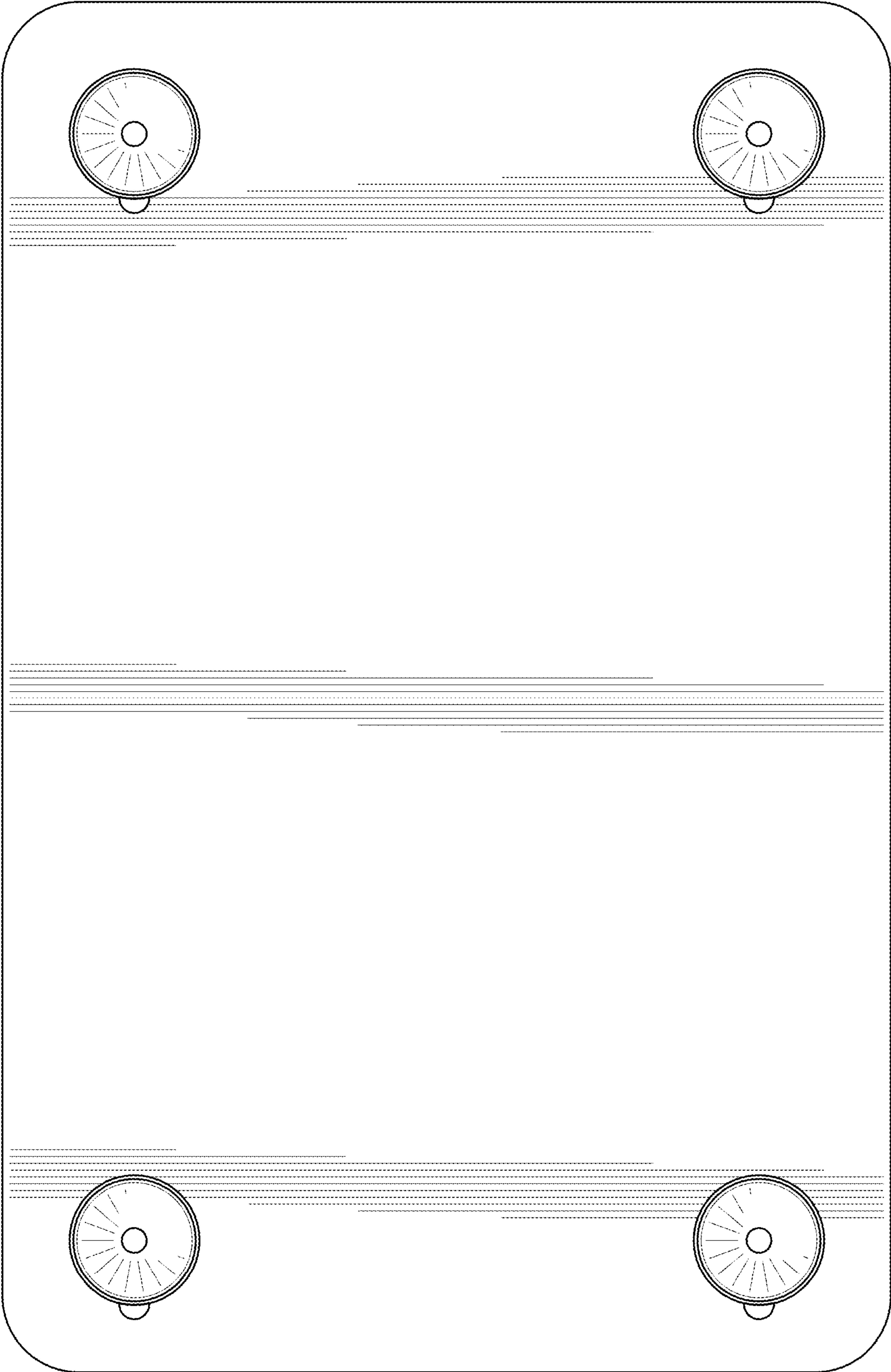


FIG. 2

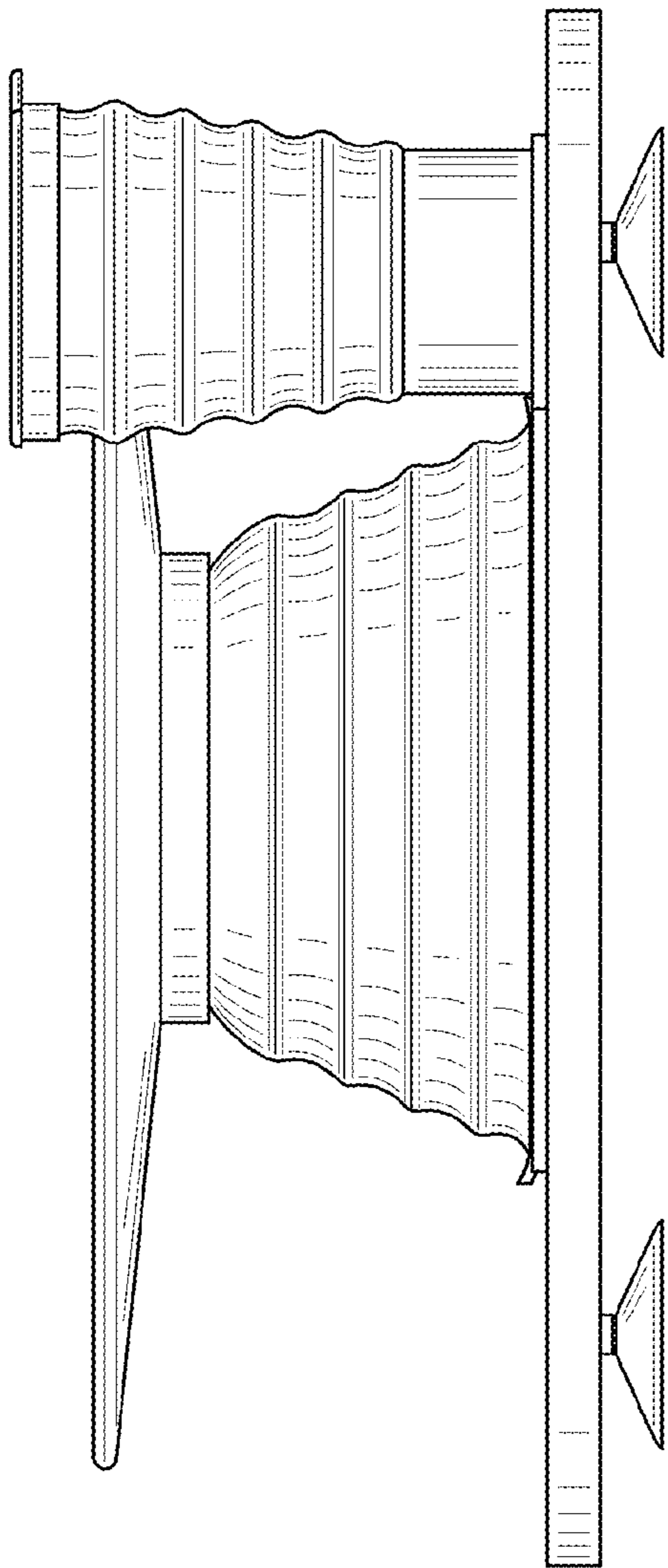


FIG. 3

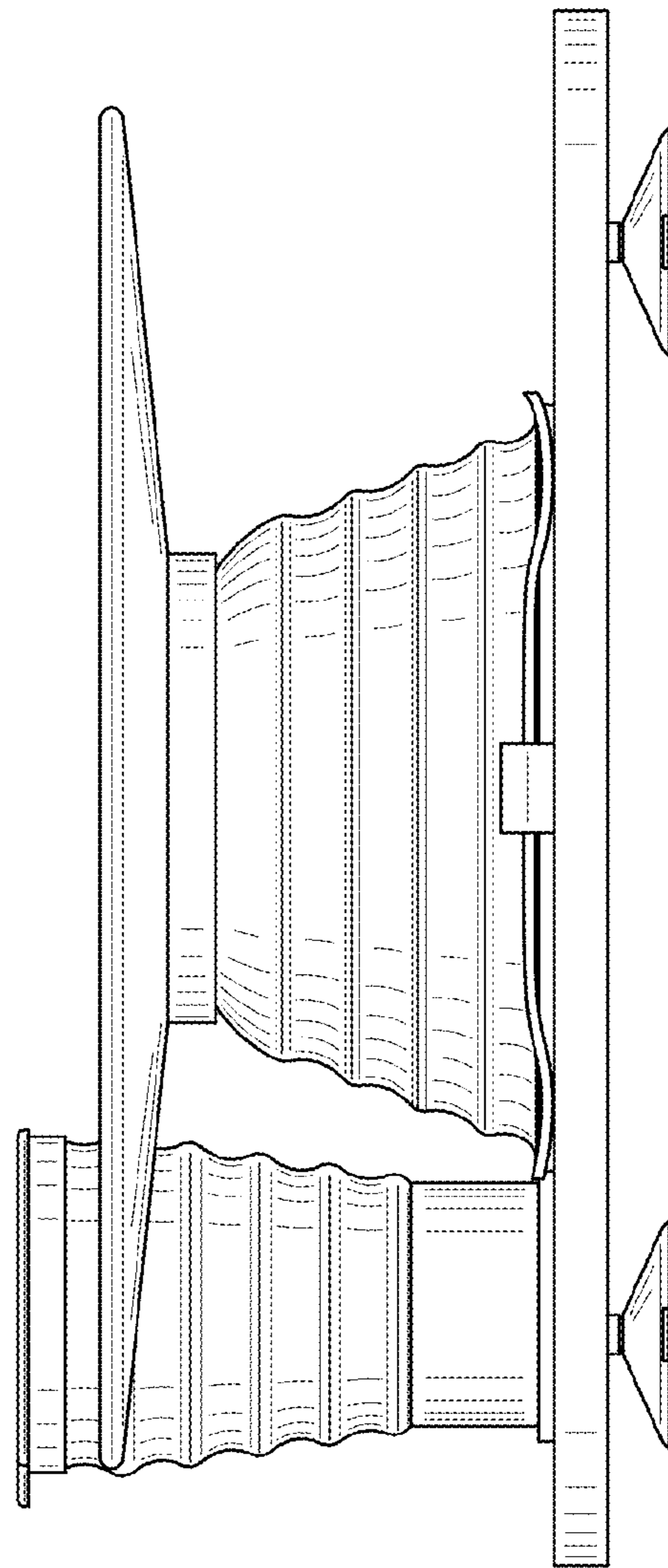


FIG. 4

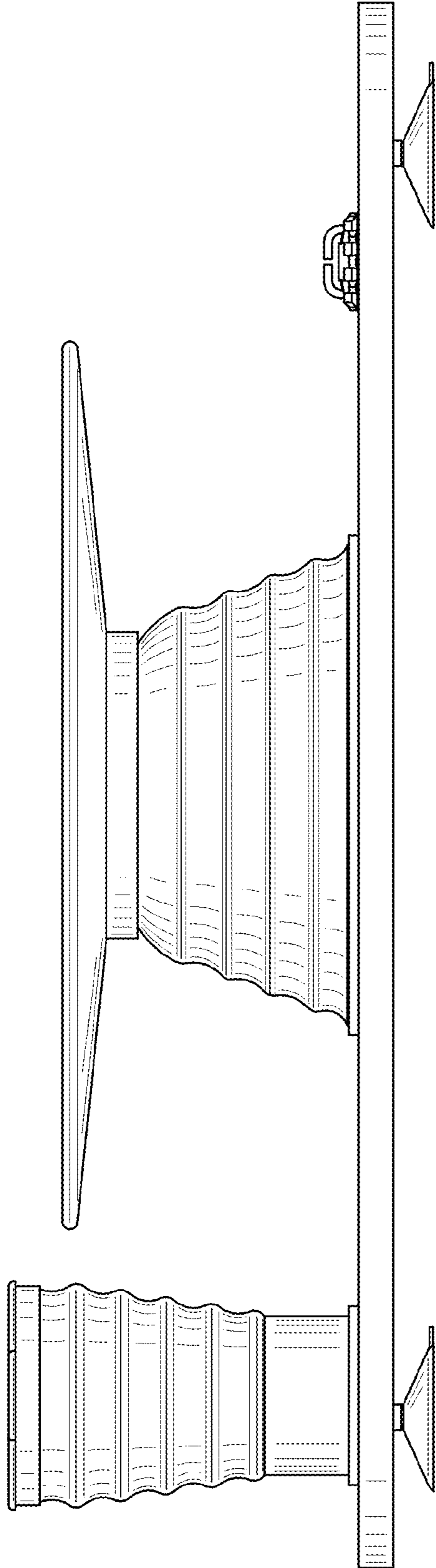


FIG. 5

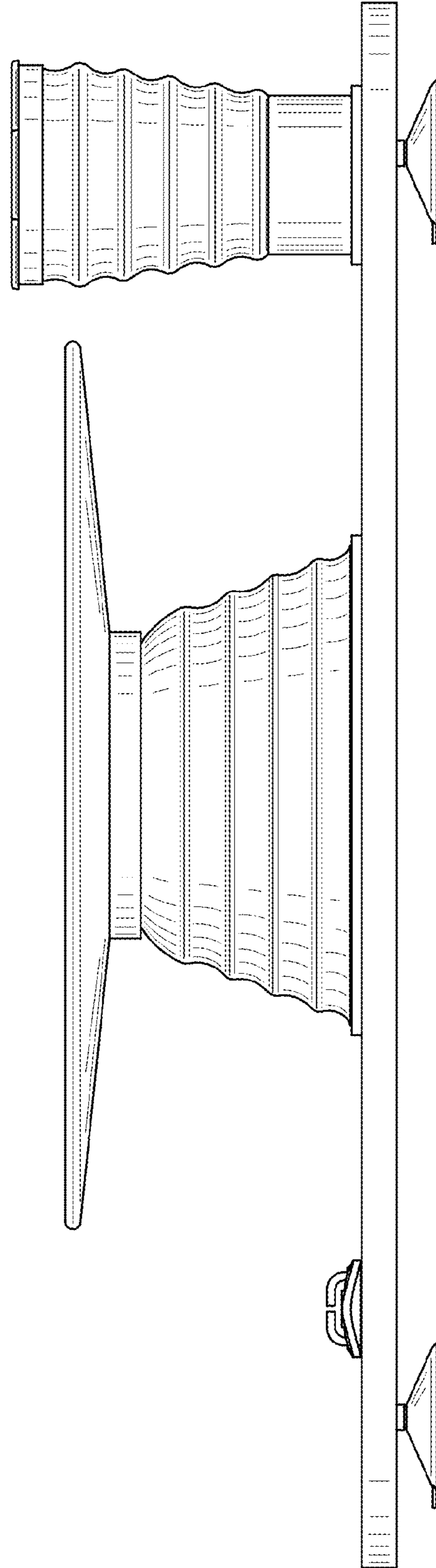


FIG. 6

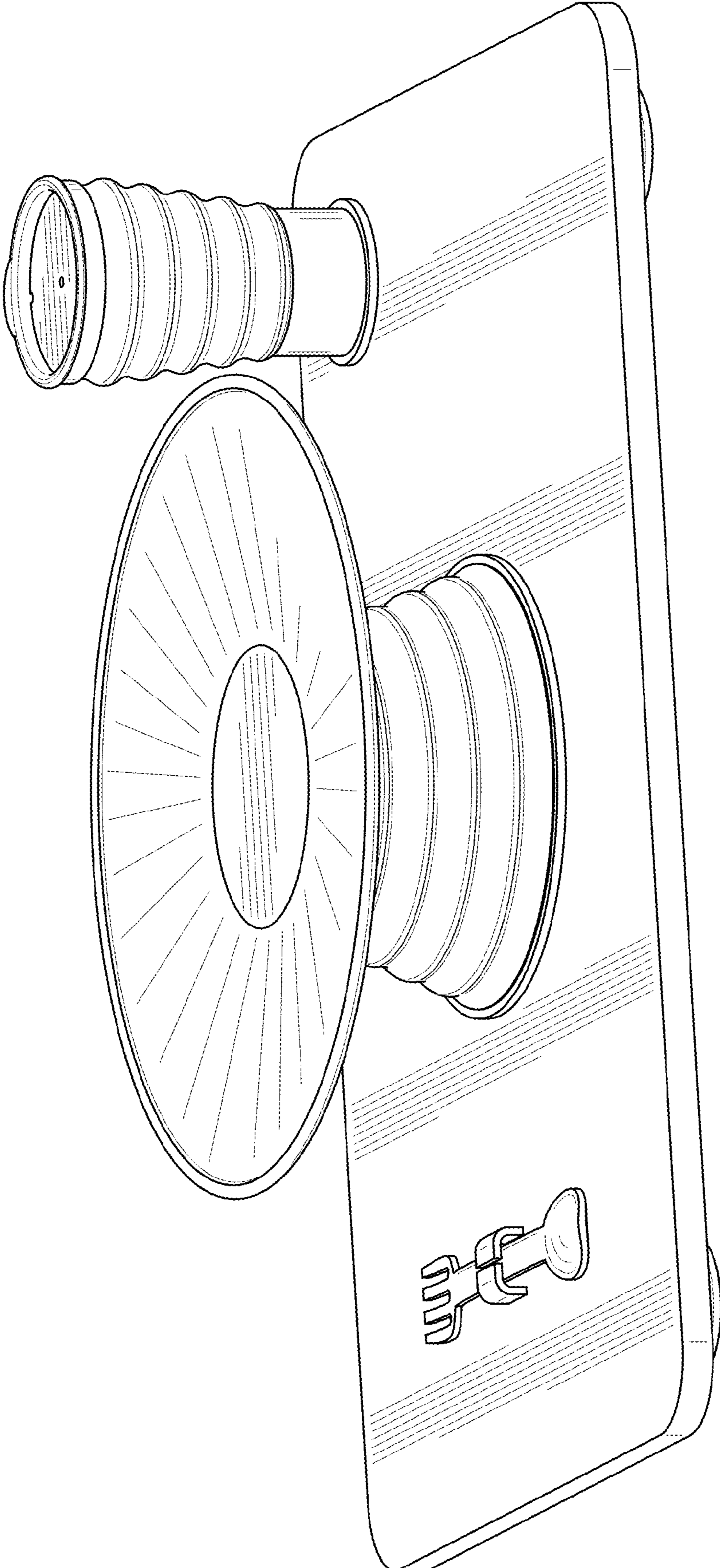


FIG. 7

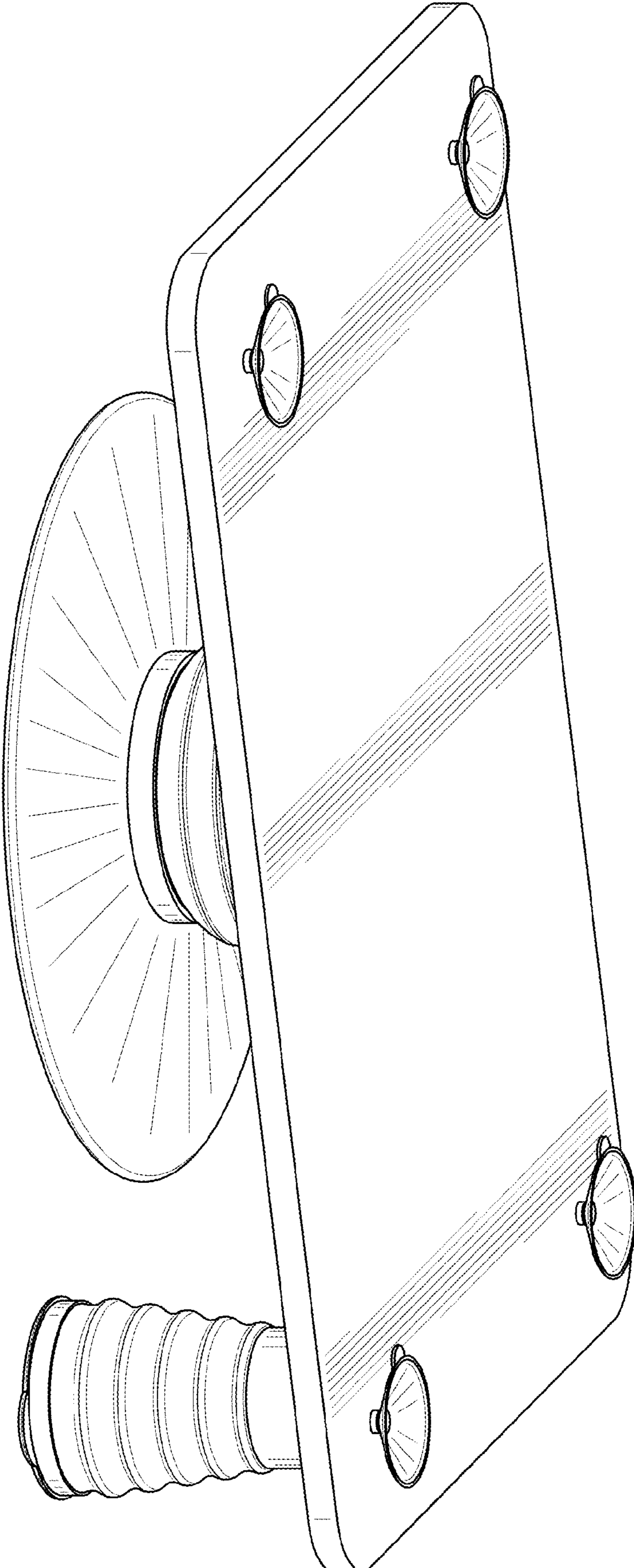


FIG. 8

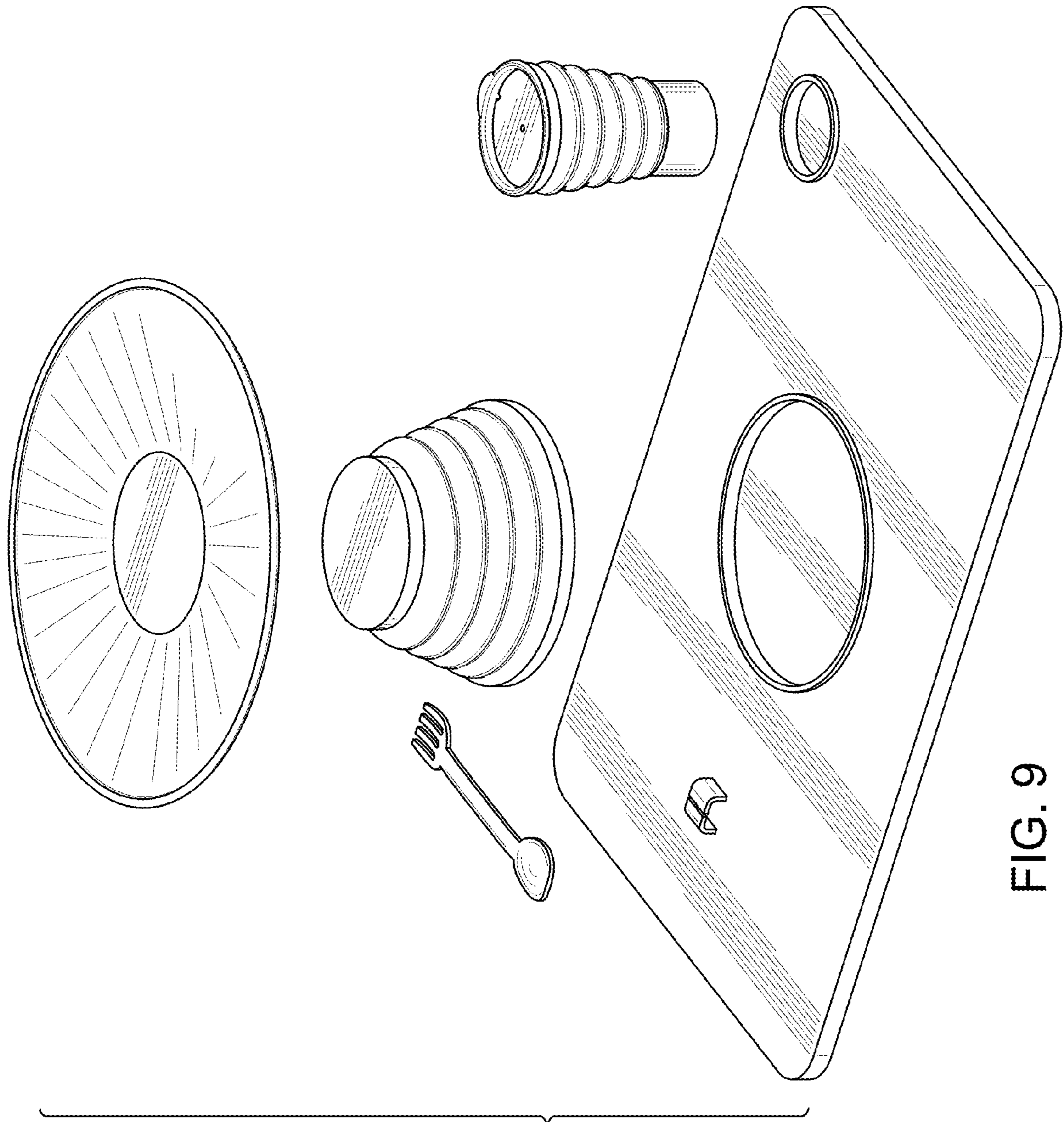


FIG. 9