



US00D980675S

(12) **United States Design Patent** (10) **Patent No.:** **US D980,675 S**
Fastabend et al. (45) **Date of Patent:** **** Mar. 14, 2023**

(54) **WEDGER PUSHER HEAD**

(56) **References Cited**

(71) Applicant: **Marmon Foodservice Technologies, Inc.**, Osseo, MN (US)
(72) Inventors: **Mark Fastabend**, Chicago, IL (US); **Aleksandr Yazvin**, Glenview, IL (US); **Scott R. Hammac**, Joliet, IL (US)
(73) Assignee: **Marmon Foodservice Technologies, Inc.**, Osseo, MN (US)

U.S. PATENT DOCUMENTS
2,563,237 A 6/1947 Grocoff
D148,703 S 2/1948 Ingram et al.
(Continued)

FOREIGN PATENT DOCUMENTS

DE 102004002070 8/2005
DE 102006011386 9/2007
(Continued)

(**) Term: **15 Years**

(21) Appl. No.: **29/841,220**

(22) Filed: **Jun. 3, 2022**

OTHER PUBLICATIONS

Vollrath 55492 Instacut 5.1 10-Sect. Wedge T-Handle/Pusher. Date First Available on Amazon.com Jun. 7, 2019. <https://www.amazon.com/Vollrath-55492-Instacut-10-Sect-T-Handle/dp/B07SQGYKKB/ref> (Year: 2019).*

(Continued)

Related U.S. Application Data

(62) Division of application No. 29/739,574, filed on Jun. 26, 2020, now Pat. No. Des. 957,873, which is a
(Continued)

(51) **LOC (14) Cl.** **31-00**

(52) **U.S. Cl.**
USPC **D7/412**

(58) **Field of Classification Search**
USPC D7/352, 357, 372, 376-386, 391, 409,
D7/412-413, 602, 629, 665-666, 669,
D7/679, 693-694

CPC A21C 1/02; A21C 1/04; A23N 1/00; A23N
1/02; A47J 43/04; A47J 43/25; A47J
43/27; A47J 43/042; A47J 43/044; A47J
43/046; A47J 43/0611; A47J 43/075;
A47J 43/0722; A47J 43/0727; B01F 3/00;
B01F 3/0807; B01F 3/0853; B01F
13/0059; B01F 13/0064; B02C 1/08;
B02C 2/04; B02C 4/42; B02C 4/142;
B02C 4/143; B02C 4/423; B02C 13/1835;
B26D 1/553; B26D

(Continued)

Primary Examiner — Ricky Pham

(74) *Attorney, Agent, or Firm* — Andrus Intellectual Property Law, LLP

(57) **CLAIM**

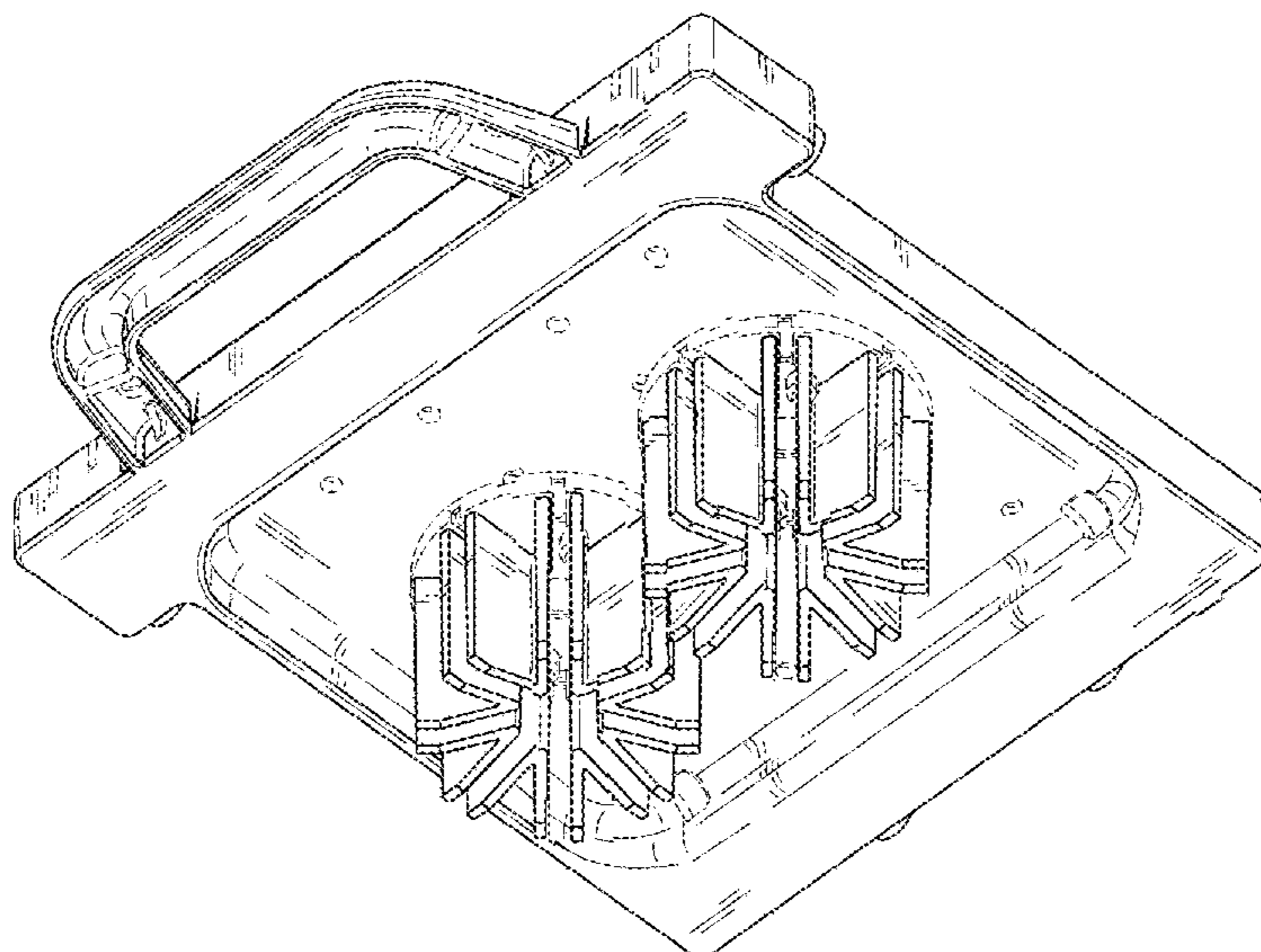
The ornamental design for a wedger pusher head, as shown and described.

DESCRIPTION

FIG. 1 is a perspective view of a wedger pusher head;
FIG. 2 is a bottom view thereof;
FIG. 3 is a top view thereof;
FIG. 4 is a right side view thereof;
FIG. 5 is a left side view thereof;
FIG. 6 is a front view thereof; and,
FIG. 7 is a back view thereof.

The broken lines showing of various portions and other elements in the Figures are for the purpose of illustrating unclaimed portions and form no part of the claimed design.

1 Claim, 5 Drawing Sheets



Related U.S. Application Data

division of application No. 29/649,789, filed on Jun. 1, 2018, now Pat. No. Des. 891,180.

(58) Field of Classification Search

CPC 7/01; B28C 5/10; B28C 5/12; B28C 5/14; B28C 5/16

See application file for complete search history.

(56) References Cited

U.S. PATENT DOCUMENTS

D164,693 S 10/1951 Kooas
2,592,657 A 4/1952 Owen
2,836,212 A 5/1958 Albert
2,916,986 A 12/1959 Morris
3,145,743 A * 8/1964 Cronheim B26D 7/01
D7/673
3,163,192 A 12/1964 Lupoli
3,277,574 A 10/1966 Giasi
D207,378 S * 4/1967 Levin D7/693
3,369,582 A 2/1968 Giangiulio
3,463,211 A 8/1969 Holz
3,605,839 A 9/1971 Gerson
3,719,507 A * 3/1973 Bardeau A47J 37/0611
99/425
3,800,649 A * 4/1974 Chinn B26D 1/553
D7/673
4,059,037 A 11/1977 Gerson
4,062,260 A 12/1977 Steinhogl
4,254,678 A 3/1981 Novy et al.
D262,425 S * 12/1981 Thelander D7/357
4,302,997 A 12/1981 Jones et al.
D264,542 S 5/1982 Doyel
4,383,365 A 5/1983 Metzigan
4,436,011 A 3/1984 Jones
4,453,458 A 6/1984 Altman
4,567,801 A 2/1986 Jones
4,573,384 A 3/1986 Jones
4,579,028 A 4/1986 Neidhart
4,599,928 A 7/1986 Oker
D293,194 S 12/1987 Kreth
D297,798 S 9/1988 Leung
4,870,719 A 10/1989 Harris
5,245,902 A 9/1993 Pereira
5,253,565 A 10/1993 Burton
5,343,623 A 9/1994 Cole et al.
5,419,245 A 5/1995 Short
5,596,922 A * 1/1997 Chan A47J 37/0611
99/380
5,613,903 A 3/1997 Fujitaki et al.
5,692,424 A 12/1997 Wallace
5,749,145 A 5/1998 Bauklah
D400,065 S 10/1998 Fohrman
D406,990 S 3/1999 Ocampo
5,950,515 A 9/1999 Wetzel
5,971,847 A 10/1999 Webb
D421,369 S 3/2000 Samarasinghe
6,033,304 A 3/2000 Haynes
6,041,682 A 3/2000 Jensen et al.
D436,504 S 1/2001 Demers
D464,851 S 10/2002 Dorion
D475,584 S 6/2003 Bachman et al.
D505,302 S 5/2005 Veltrop et al.
D510,507 S 10/2005 Lo
D531,465 S 11/2006 Tellier

D568,117 S 5/2008 Hauser
D573,418 S 7/2008 Ho
7,658,010 B2 2/2010 So et al.
7,984,554 B2 * 7/2011 Aby-Eva B26D 1/553
30/304
D648,989 S 11/2011 Coursey et al.
D649,413 S 11/2011 Coursey et al.
D650,247 S 12/2011 Harris et al.
8,286,355 B2 10/2012 Aby-Eva et al.
D677,528 S 3/2013 Kwon
D679,944 S 4/2013 Meyer
8,438,737 B2 5/2013 Lo et al.
D684,000 S * 6/2013 Kwon D7/363
8,495,941 B2 7/2013 Farid et al.
D690,170 S 9/2013 Harris et al.
D744,299 S 12/2015 Lipscomb et al.
D773,893 S 12/2016 Fastabend et al.
D778,673 S 2/2017 Fastabend et al.
D781,649 S 3/2017 Fastabend et al.
D799,282 S 10/2017 Maslana et al.
D805,834 S 12/2017 Vela De Pleitez
9,913,481 B2 3/2018 McCarney
9,914,229 B2 3/2018 Fastabend et al.
D817,712 S 5/2018 Fastabend et al.
D869,904 S 12/2019 Fastabend et al.
10,532,480 B2 1/2020 Fastabend et al.
D891,180 S * 7/2020 Fastabend D7/412
D937,627 S * 12/2021 Young D7/409
D957,873 S * 7/2022 Fastabend D7/391
2003/0079616 A1 5/2003 Barnard
2005/0199115 A1 9/2005 Veltrop et al.
2006/0185488 A1 8/2006 Short et al.
2006/0225547 A1 10/2006 Stanojevic et al.
2009/0249935 A1 10/2009 Kaposi
2010/0313724 A1 12/2010 Farid et al.
2011/0283549 A1 11/2011 Moss et al.
2014/0208917 A1 7/2014 Whitney

FOREIGN PATENT DOCUMENTS

EP 1570961 9/2005
EP 175819 3/2007
GB 132809 12/1920
GB 398939 9/1933
GB 1144724 3/1969
GB 2312613 11/1997

OTHER PUBLICATIONS

Edlund, Manual Fruit & Vegetable Slicer, 2014.
Nemco, Operating and Maintenance Instruction for Lettuce Kutter, 2012.
Nemco, Easy Cartride Onion Slicer, 2008.
Prince Castle LLC, Dice Witch, 2009.
Prince Castle LLC, Lettuce Kutlett, 2009.
Prince Castle LLC, Tomato Saber Operating Instructions, 1999.
Vollrath, Onion King Operator’s Manual, 2014.
Prince Castle Inc. Citrus Wedger Model No. CW Series Operating Instructions, 2007.
Edland, New! Titan Series Max-Cut 2014.
Nemco, Easy Wedger and Easy Apple Corer Operating and Maintenance Instructions, 2009.
Vollrath, Wedgemaster Operator’s Manual, 2014.
Nemco, Easy Wedger and Easy Apple Corer, 2012.

* cited by examiner

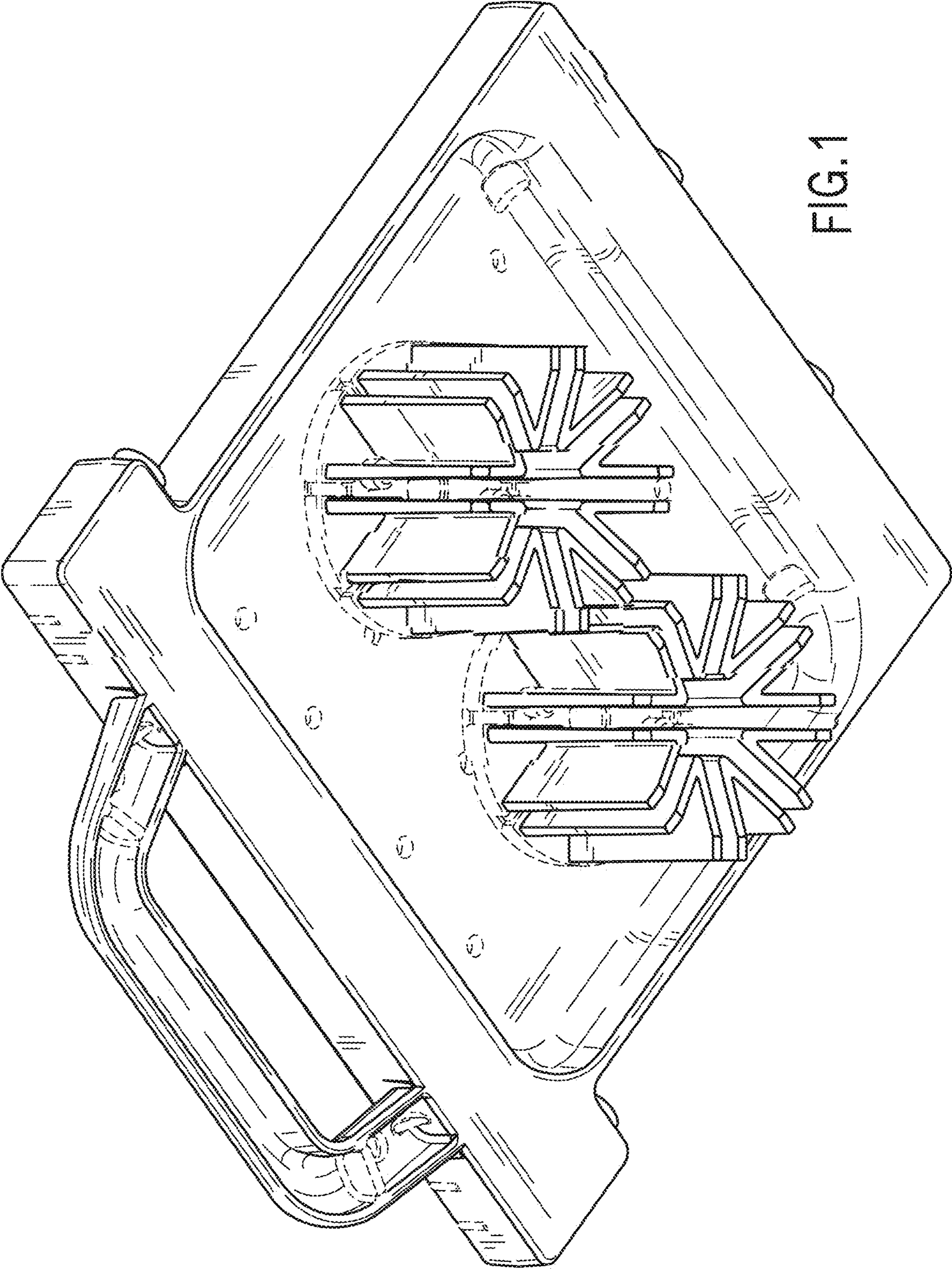


FIG. 1

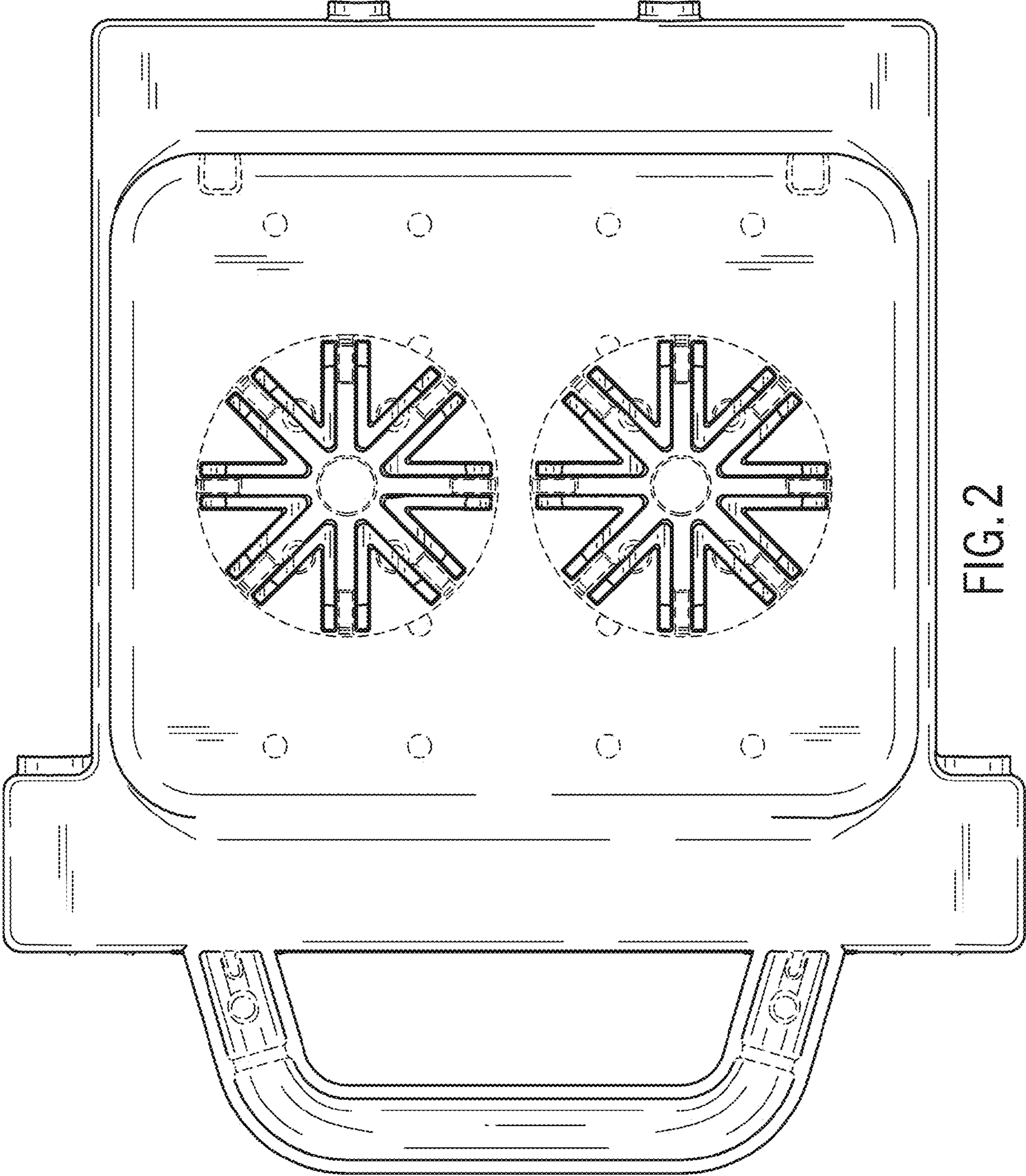


FIG. 2

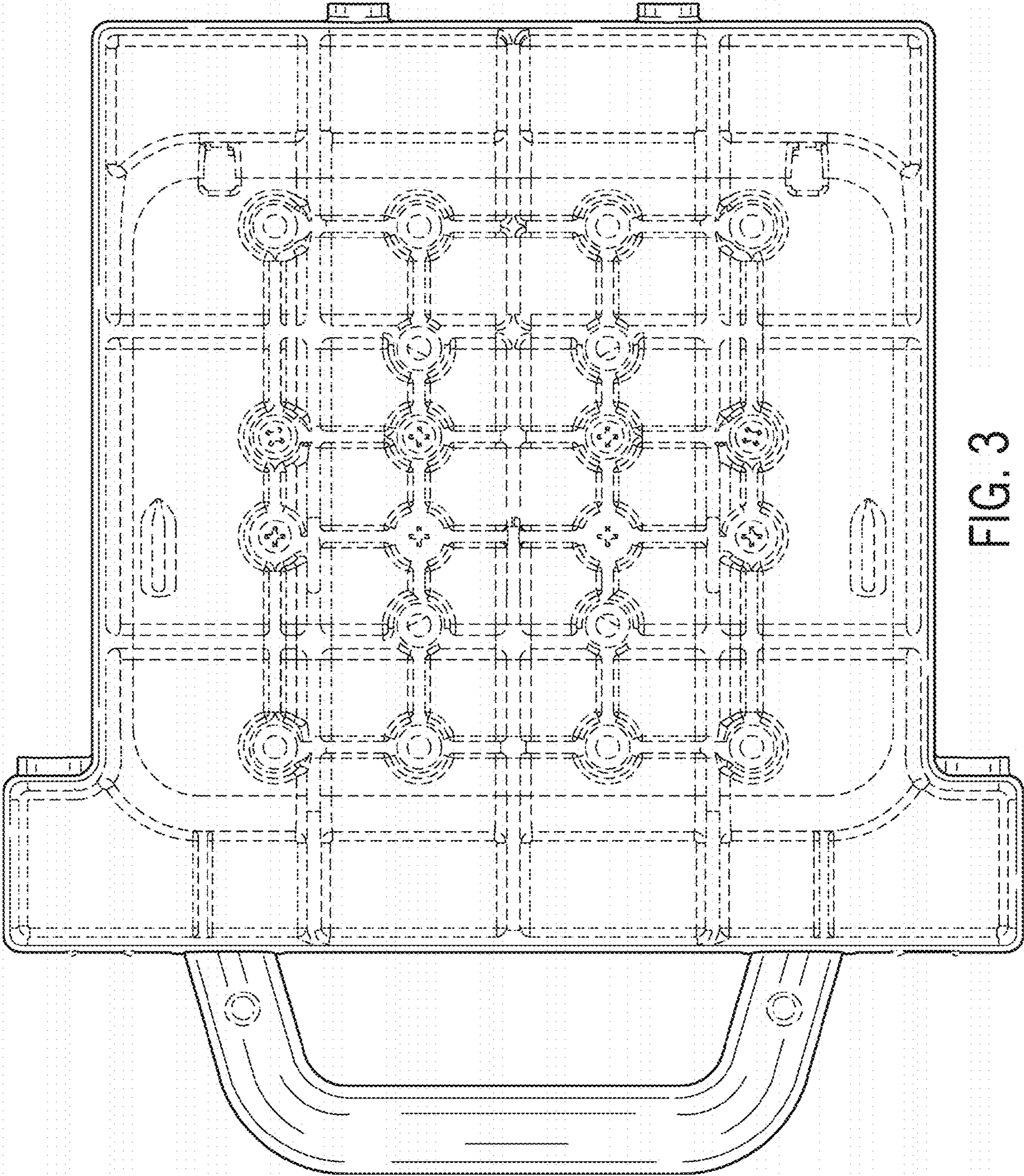


FIG. 3

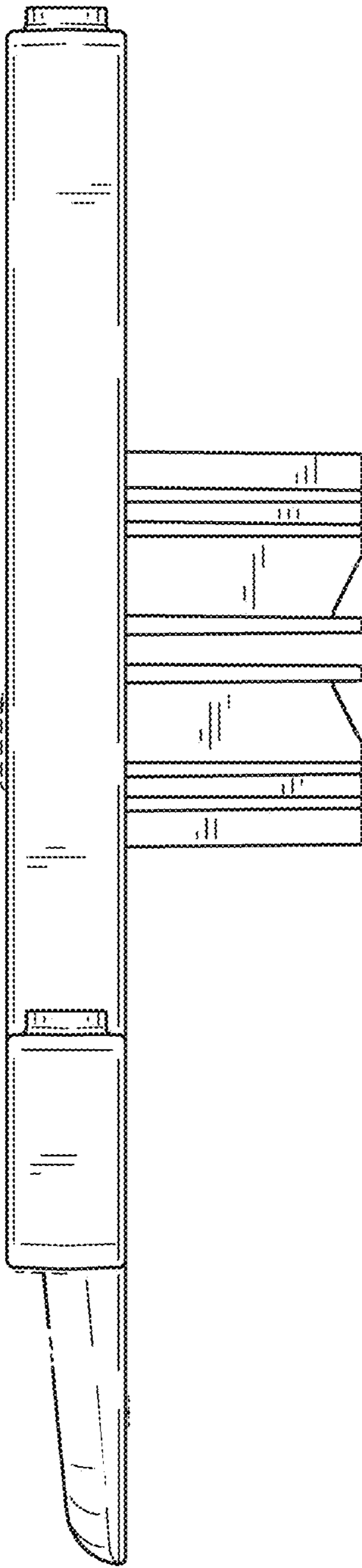


FIG. 4

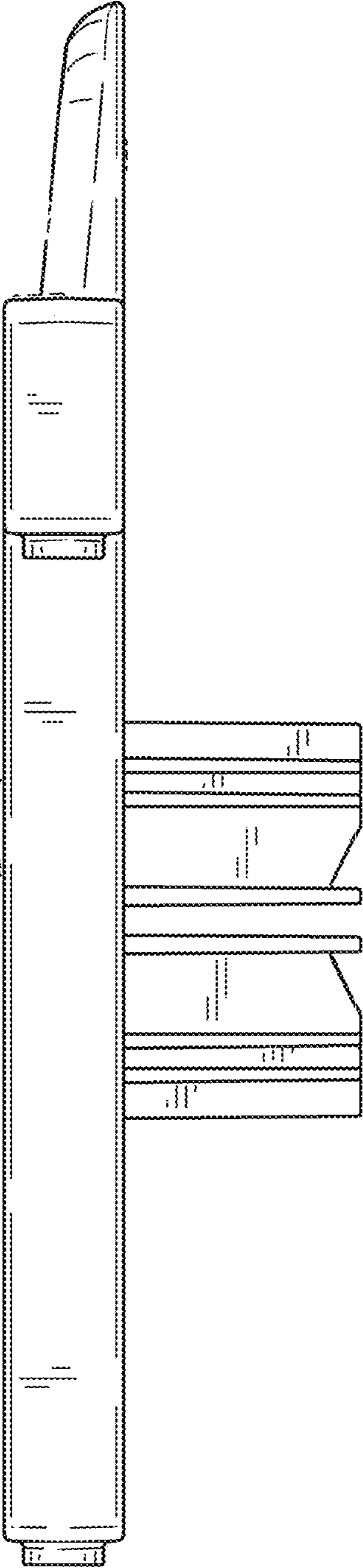


FIG. 5

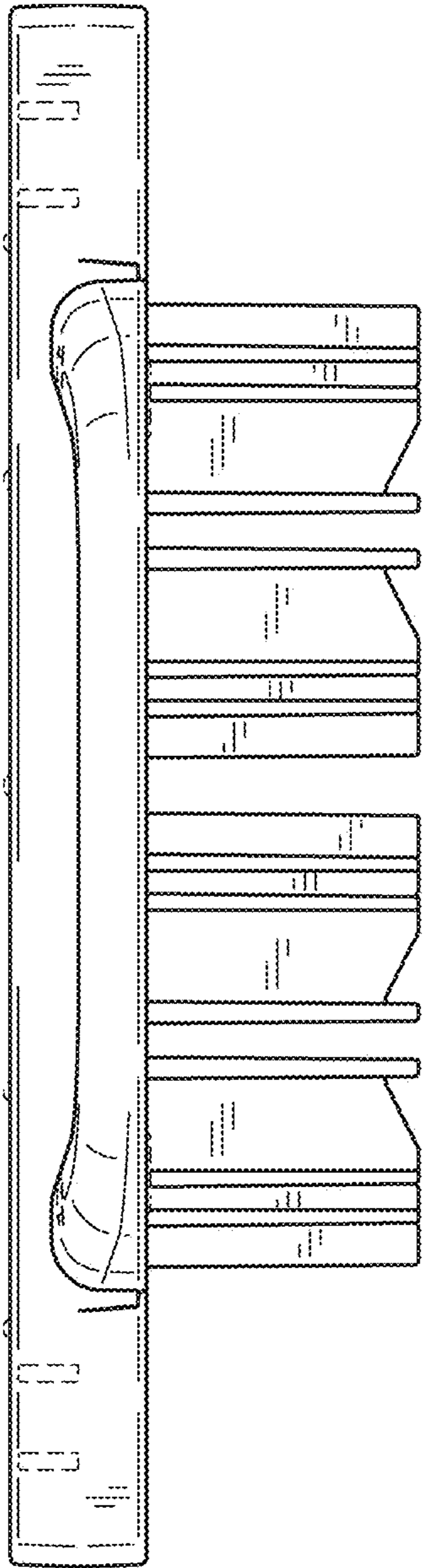


FIG. 6

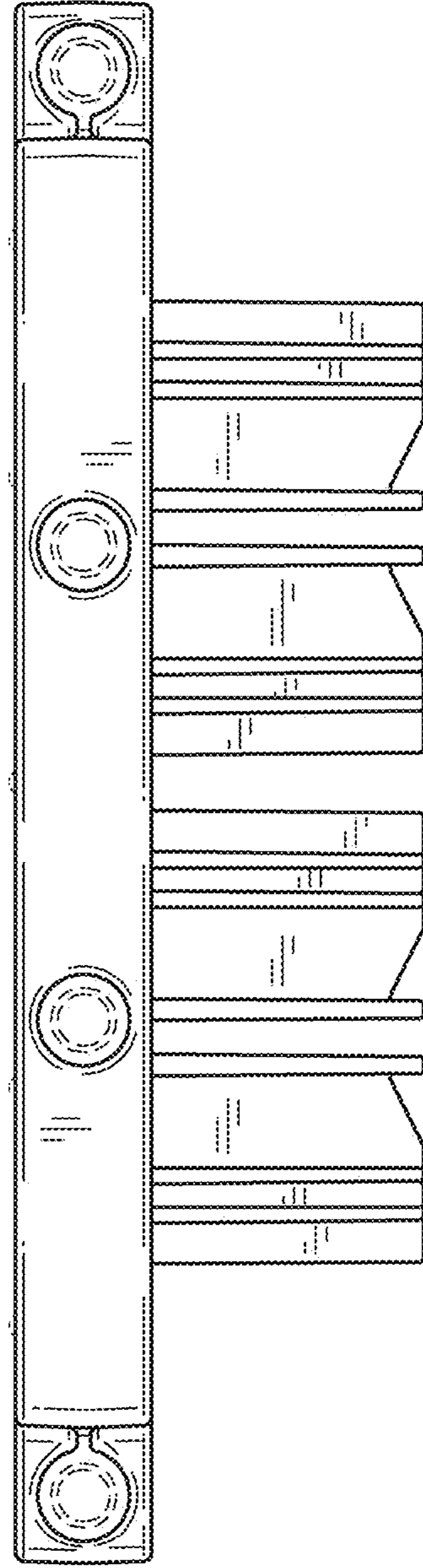


FIG. 7