



US00D980674S

(12) **United States Design Patent**
Buschman et al.

(10) **Patent No.:** **US D980,674 S**
(45) **Date of Patent:** **** Mar. 14, 2023**

(54) **TWO-SIDED GRIDDLE AND GRILL**

(56) **References Cited**

- (71) Applicant: **WHIRLPOOL CORPORATION**,
Benton Harbor, MI (US)
- (72) Inventors: **Jessica Buschman**, St. Joseph, MI
(US); **Tushar A. Kalbande**, Pune (IN);
Michael C. Lah, Benton Harbor, MI
(US); **John R. McNally**, Northbrook,
IL (US); **Binesh R. Pillai**, Mumbai
(IN); **Ryan J. Rutter**, St. Joseph, MI
(US); **Timothy P. VanAntwerp**, St.
Joseph, MI (US)
- (73) Assignee: **Whirlpool Corporation**, Benton
Harbor, MI (US)
- (**) Term: **15 Years**
- (21) Appl. No.: **29/847,756**
- (22) Filed: **Jul. 27, 2022**

U.S. PATENT DOCUMENTS

3,112,948 A	12/1963	Burns
D251,106 S	2/1979	Petursson
D282,139 S	1/1986	Radford

(Continued)

OTHER PUBLICATIONS

Lodge Chef Collection Cast Iron Chef Style Reversible Grill Griddle. Date First Available on Amazon.com Apr. 20, 2020. <https://www.amazon.com/Lodge-Collection-Reversible-Campfire-Materials/dp/B087C93TLD/ref> (Year: 2020).*

Primary Examiner — Ricky Pham

(74) *Attorney, Agent, or Firm* — Price Heneveld LLP

(57) **CLAIM**

We claim the ornamental design for a two-sided griddle and grill, as shown and described.

DESCRIPTION

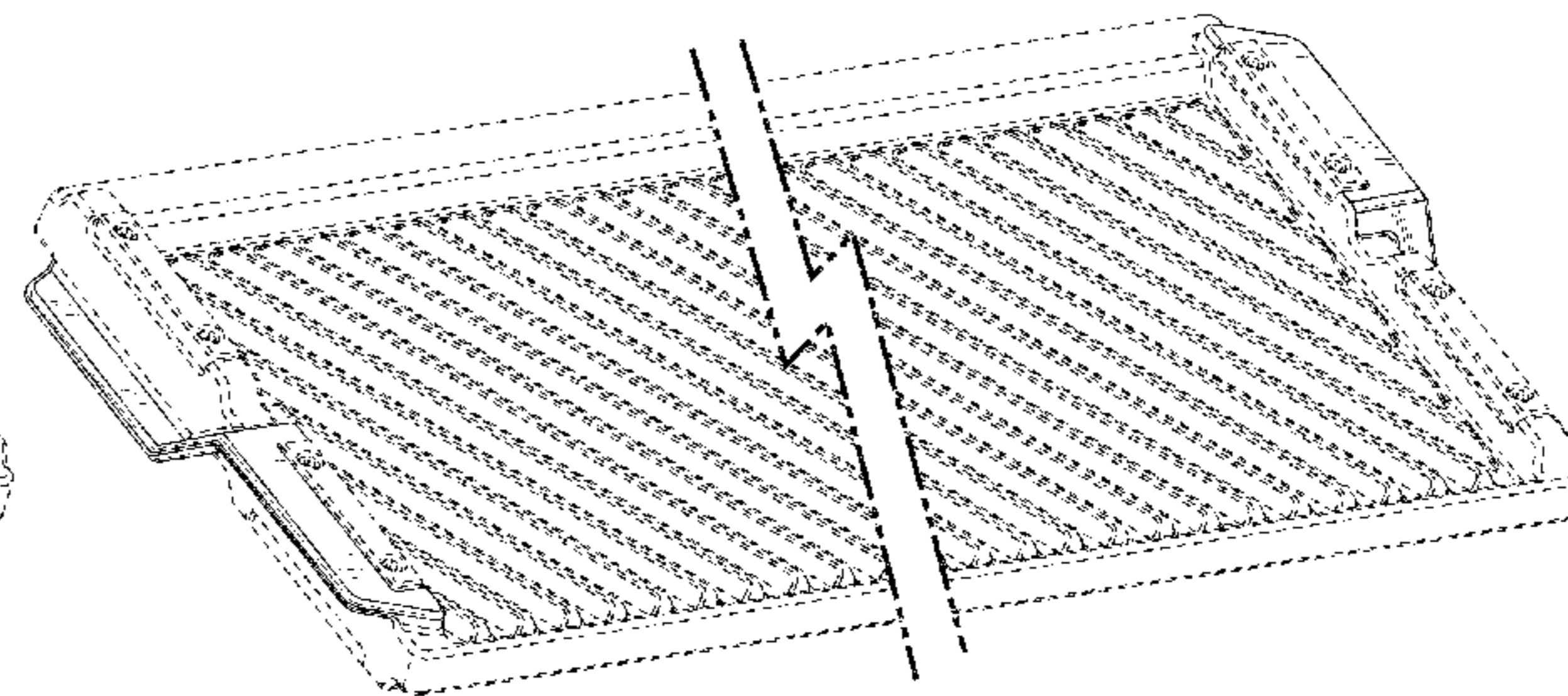
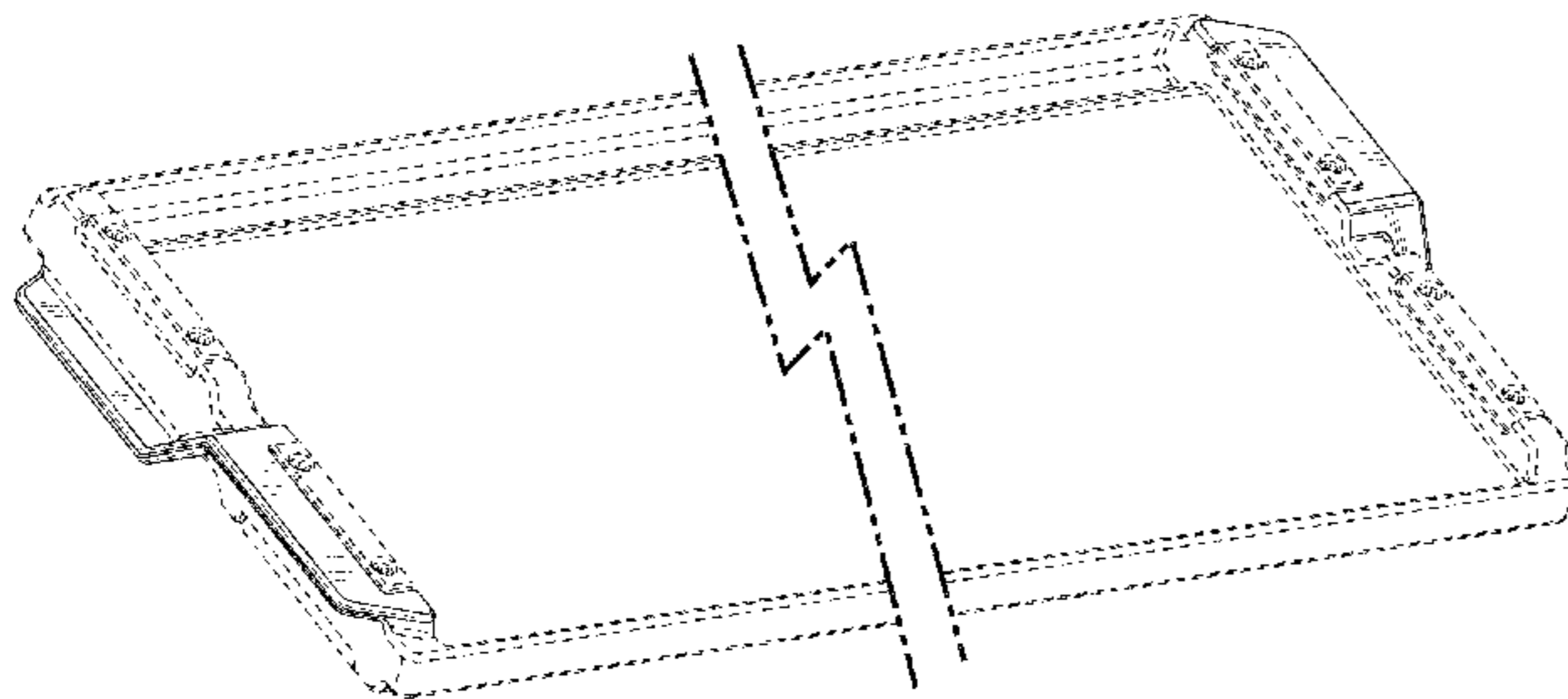
FIG. 1 is a top perspective view of a two-sided griddle and grill of the present disclosure;
 FIG. 2 is a bottom perspective view of the two-sided griddle and grill of FIG. 1;
 FIG. 3 is a top plan view of the two-sided griddle and grill of FIG. 1;
 FIG. 4 is a bottom plan view of the two-sided griddle and grill of FIG. 1;
 FIG. 5 is a front elevational view of the two-sided griddle and grill of FIG. 1;
 FIG. 6 is a rear side elevational view of the two-sided griddle and grill of FIG. 1;
 FIG. 7 is a first side elevational view of the two-sided griddle and grill of FIG. 1; and,
 FIG. 8 is a second side elevational view of the two-sided griddle and grill of FIG. 1.
 The broken lines depict portions of the article that form no part of the claimed design.

Related U.S. Application Data

- (63) Continuation of application No. 29/740,796, filed on Jul. 7, 2020, now Pat. No. Des. 959,907.
- (51) **LOC (14) Cl.** **07-02**
- (52) **U.S. Cl.**
USPC **D7/409; D7/354**
- (58) **Field of Classification Search**
USPC D7/323, 354–362, 390, 409, 543, 545,
D7/549, 550.1, 553.1–553.8, 554.1–554.4,
D7/555, 584, 586
CPC A21B 3/00; A21B 3/13; A21B 3/15; A21B
3/134; A21B 5/00; A21B 5/02; A47G
23/0633; A47J 36/022; A47J 36/025;
A47J 36/027; A47J 36/2405; A47J 37/00;
A47J 37/04; A47J 37/067; B65D 1/22;
B65D 1/24; B65D 1/34; B65D 1/36;
B65D 77/2008; B65D 81/343; B65D
85/36

See application file for complete search history.

1 Claim, 6 Drawing Sheets



(56)

References Cited

U.S. PATENT DOCUMENTS

D293,069 S	12/1987	Cerola	
D293,070 S	12/1987	Cerola	
D303,605 S	9/1989	Davis et al.	
D343,989 S	2/1994	Falk	
D346,306 S	4/1994	Falk	
D361,015 S	8/1995	Doty et al.	
D364,535 S	11/1995	Moore	
D369,062 S	4/1996	Holbrook, Jr.	
D378,885 S	4/1997	Sparks	
D383,355 S	9/1997	Uter	
D393,567 S	4/1998	Ashcraft et al.	
D393,774 S	4/1998	Ashcraft et al.	
D401,112 S	11/1998	Miller	
D427,009 S	6/2000	Iyengar et al.	
D427,487 S	7/2000	Holbrook	
D463,202 S *	9/2002	Smith	D7/359
D538,584 S	3/2007	Scholze et al.	
D553,905 S *	10/2007	Orr, Jr.	D7/390
D570,154 S *	6/2008	Wang	D7/359
D608,146 S *	1/2010	Zemel	D7/409
D651,464 S	1/2012	Funnell et al.	
D668,506 S *	10/2012	Zemel	D7/409
D709,727 S	7/2014	Cloutier et al.	
D731,230 S	6/2015	Librus	
D734,987 S	7/2015	Coats	
D784,077 S	4/2017	Zemel et al.	
9,810,436 B2	11/2017	Mayberry et al.	
D824,205 S *	7/2018	Mirchandani	D7/359
D825,979 S	8/2018	Levy	
D829,483 S	10/2018	Lah	
10,238,235 B2	3/2019	Altenritter et al.	
D859,059 S *	9/2019	Levy	D7/359
D859,061 S *	9/2019	Hollinger	D7/409
D880,931 S *	4/2020	Tan	D7/359
D883,019 S	5/2020	Hollinger	
10,638,879 B2	5/2020	Bruin-Slot	
D896,028 S *	9/2020	Thompson	D7/409
D916,563 S	4/2021	Dorion et al.	
D959,892 S *	8/2022	Li	D7/359
D959,907 S *	8/2022	Buschman	D7/354
D964,802 S *	9/2022	Zemel	D7/409
2018/0168392 A1	6/2018	Thunga	

* cited by examiner

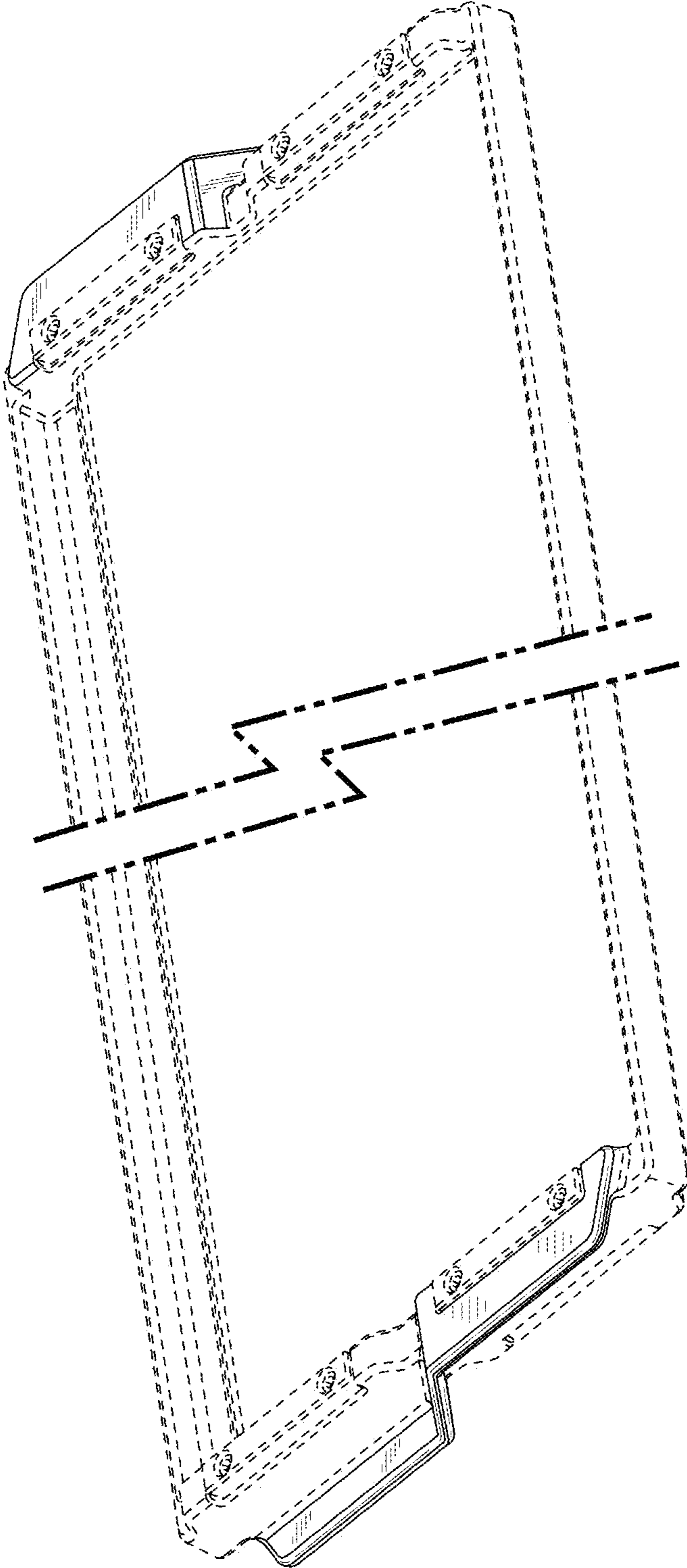


FIG. 1

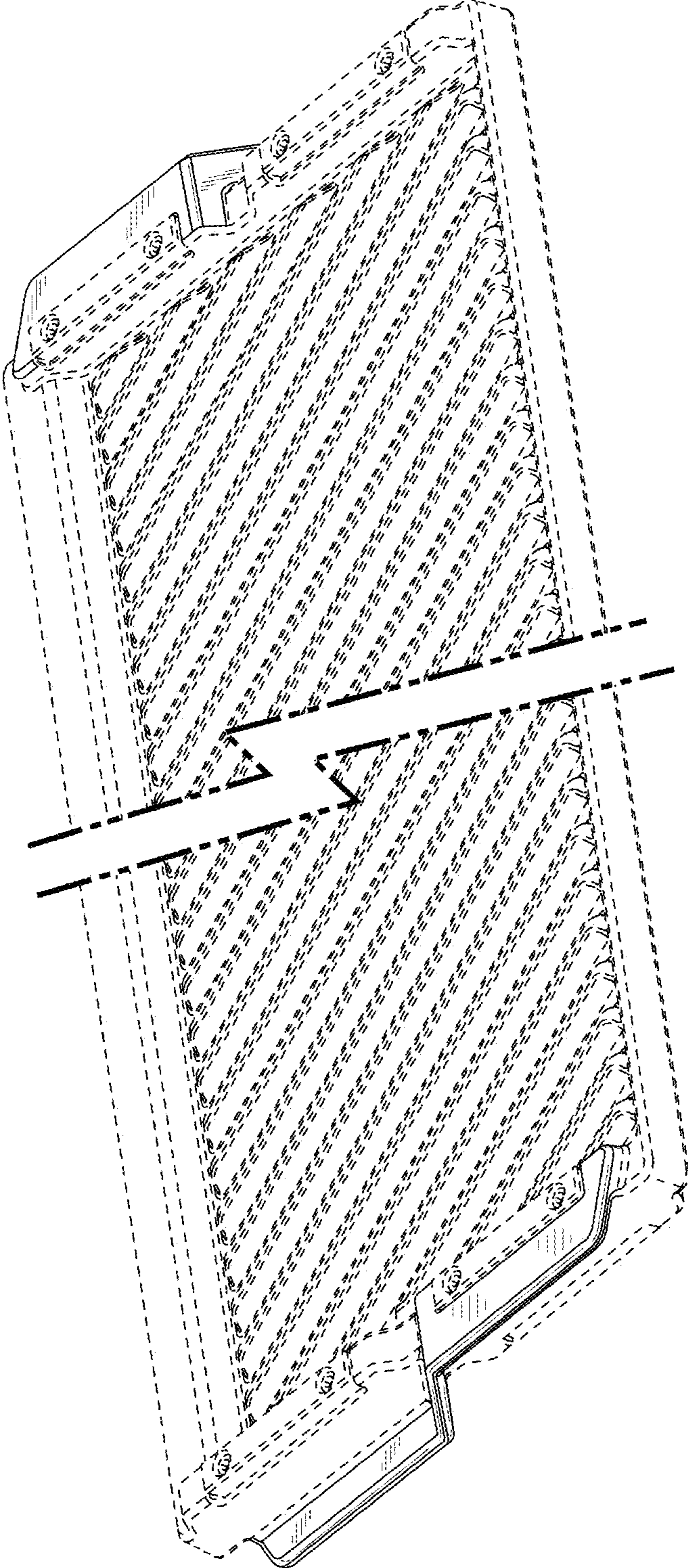


FIG. 2

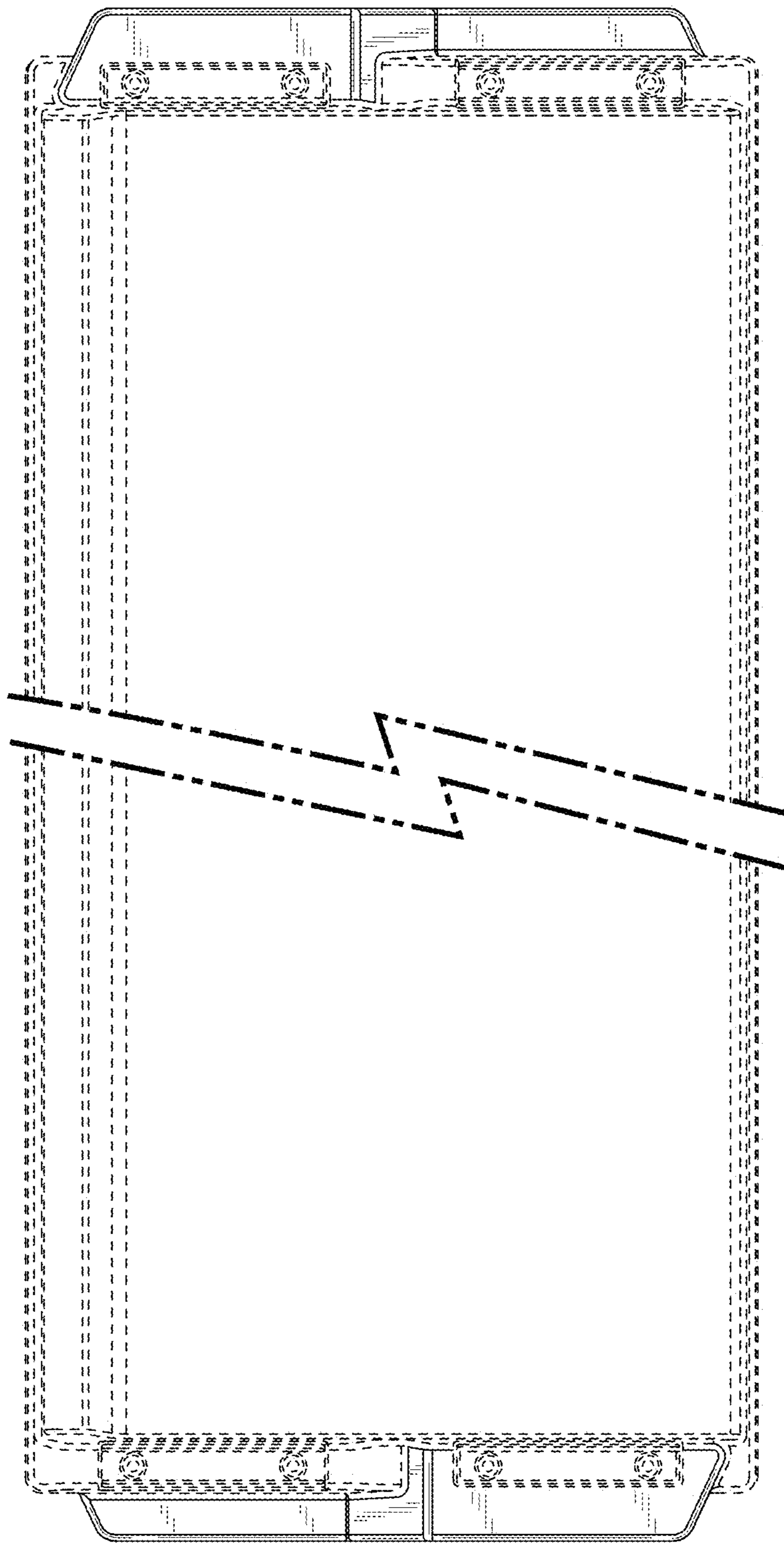


FIG. 3

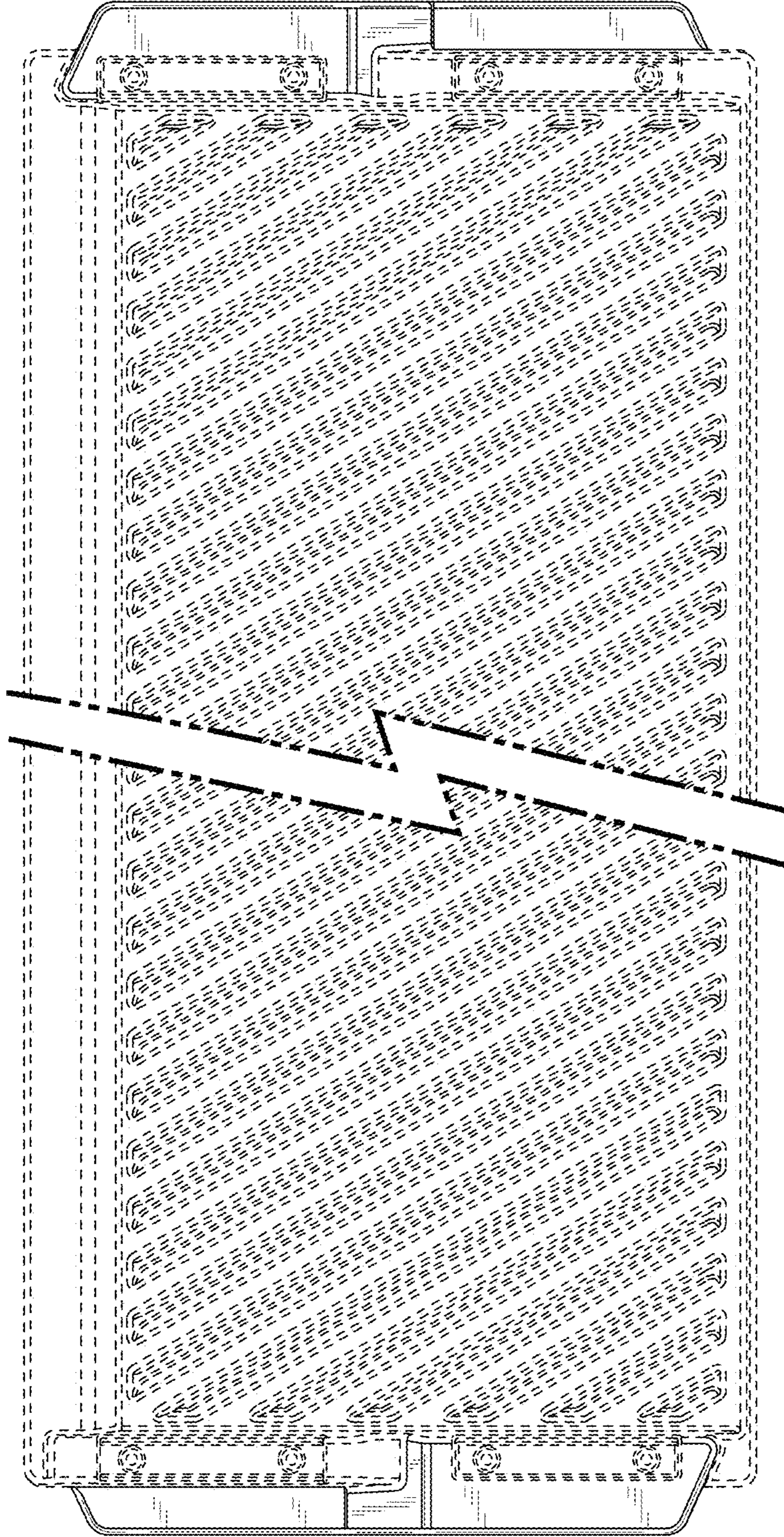


FIG. 4



FIG. 5



FIG. 6

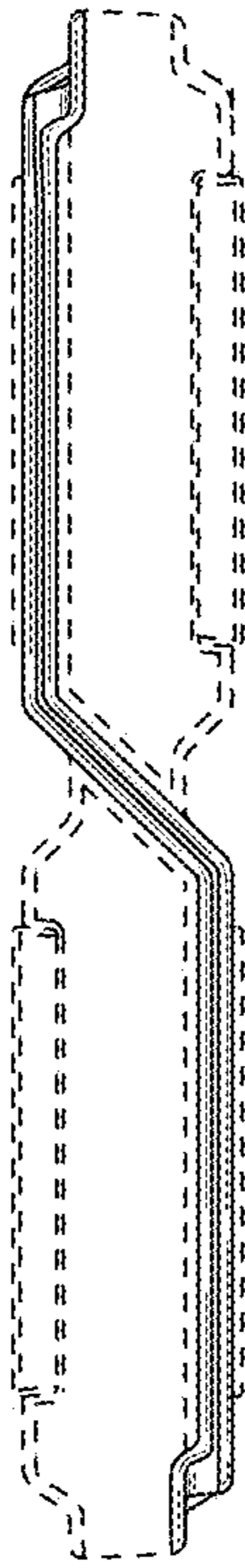


FIG. 7

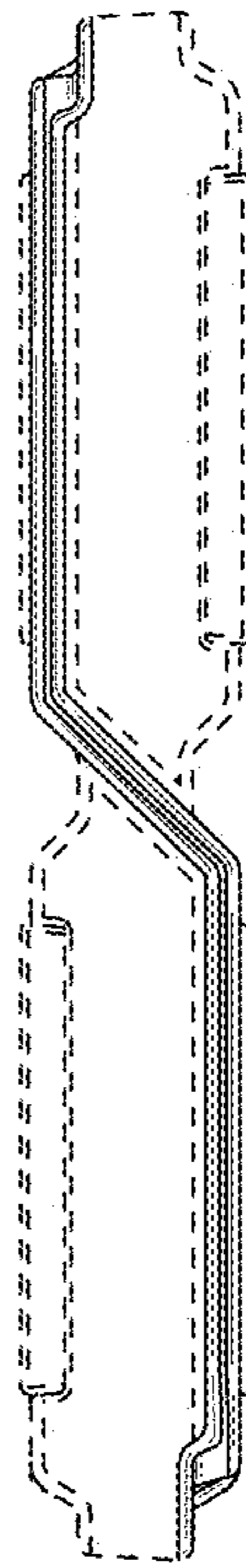


FIG. 8