



US00D980673S

(12) **United States Design Patent**
Yin et al.

(10) **Patent No.: US D980,673 S**
(45) **Date of Patent: ** Mar. 14, 2023**

(54) **BURR GRINDER**

(71) Applicant: **WHIRLPOOL CORPORATION**,
Benton Harbor, MI (US)

(72) Inventors: **ZhaoYi Yin**, Benton Harbor, MI (US);
Ben C. Shao, Stevensville, MI (US);
John W. McConnell, St. Joseph, MI
(US); **Mansour Ourasanah**, Chicago,
IL (US)

(73) Assignee: **Whirlpool Corporation**, Benton
Harbor, MI (US)

(**) Term: **15 Years**

(21) Appl. No.: **29/737,441**

(22) Filed: **Jun. 9, 2020**

Related U.S. Application Data

(63) Continuation of application No. 29/643,860, filed on
Apr. 12, 2018, now Pat. No. Des. 889,906.

(51) **LOC (14) Cl.** **07-01**

(52) **U.S. Cl.**
USPC **D7/397; D7/373**

(58) **Field of Classification Search**

USPC D7/309, 310, 372, 373, 376-386, 397,
D7/412-413, 602, 629, 665-666, 669,
D7/679, 693-694

CPC A21C 1/02; A21C 1/04; A23N 1/00; A23N
1/02; A47J 43/04; A47J 43/25; A47J
43/27; A47J 43/042; A47J 43/044; A47J
43/046; A47J 43/075; A47J 43/0722;
A47J 43/0727; B01F 3/00; B01F 3/0807;
B01F 3/0853; B01F 13/0059; B01F
13/0064; B02C 1/08; B02C 2/04; B02C
4/42; B02C 4/142; B02C 4/143; B02C
4/423; B02C 13/1835; B28C 5/10; B28C
5/12; B28C 5/14; B28C 5/16

See application file for complete search history.

(56) **References Cited**

U.S. PATENT DOCUMENTS

D339,502 S *	9/1993	Kamiyama	D7/383
D343,758 S	2/1994	Beeren	
D353,075 S	12/1994	Littmann et al.	
D391,441 S *	3/1998	Tanaka	D7/372
D404,246 S *	1/1999	Arita	D7/372
D437,523 S *	2/2001	Glucksman	D7/373
D483,221 S	12/2003	Ledingham et al.	
D500,427 S	1/2005	Fung	
D580,208 S	11/2008	Cheng	
D653,905 S	2/2012	Bodum	
D673,419 S	1/2013	De Pra	
D708,921 S	7/2014	Hoare et al.	
D744,275 S *	12/2015	Lownds	D7/378

(Continued)

OTHER PUBLICATIONS

KitchenAid Burr Coffee Grinder. Date First Available on Amazon.
com Sep. 18, 2020. <https://www.amazon.com/KitchenAid-KCG8433BM-Coffee-Grinder-Black/dp/B08JH6K5PY/ref> (Year:
2020).*

Primary Examiner — Ricky Pham

(74) *Attorney, Agent, or Firm* — Price Heneveld LLP

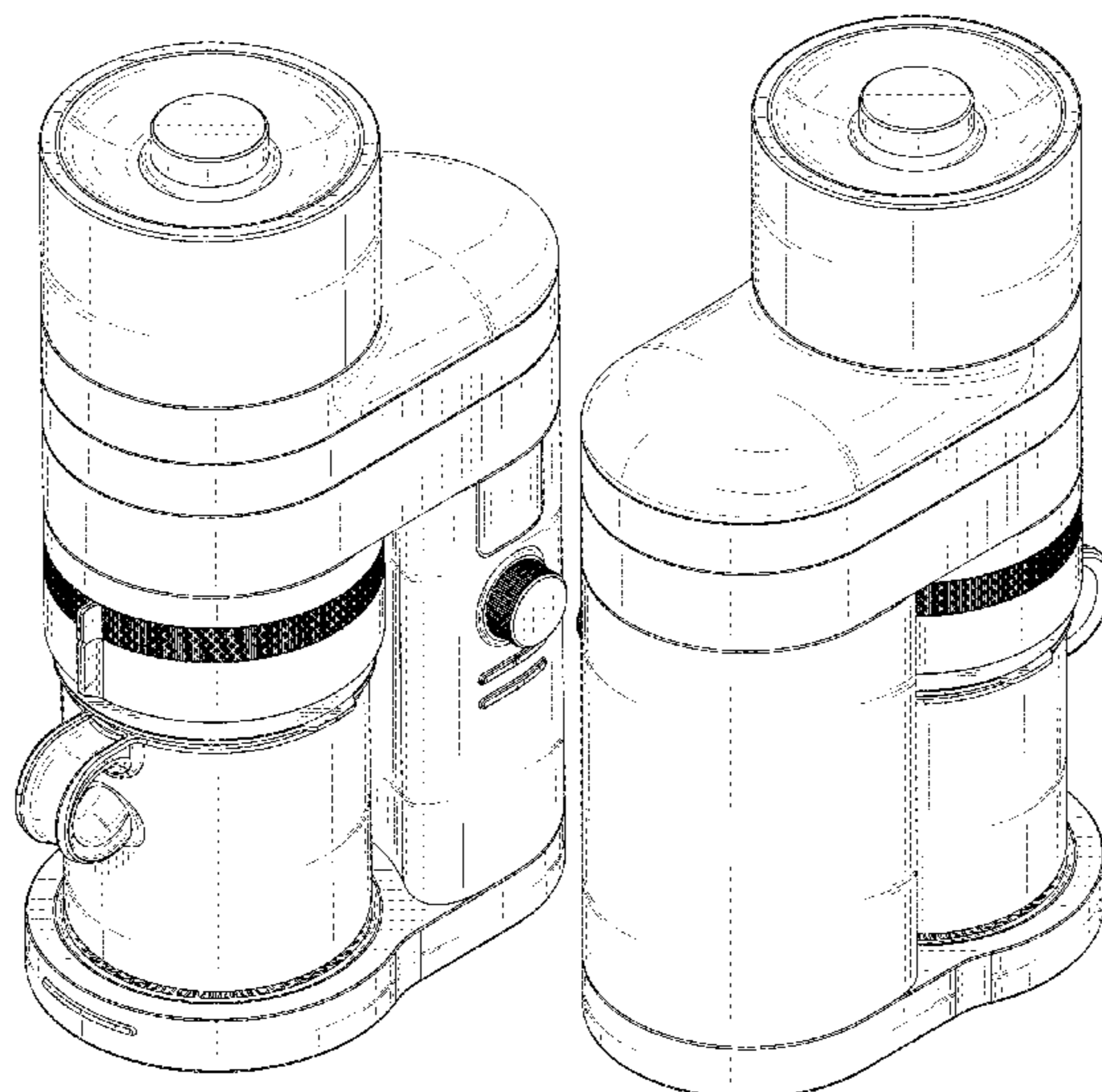
(57) **CLAIM**

The ornamental design for a burr grinder, as shown and
described.

DESCRIPTION

FIG. 1 is a front perspective view of a burr grinder according
to an embodiment of our design;
FIG. 2 is a rear perspective view thereof;
FIG. 3 is a front elevation view thereof;
FIG. 4 is a back elevation view thereof;
FIG. 5 is a left side elevation view thereof;
FIG. 6 is a right side view thereof;
FIG. 7 is a top plan view thereof; and,
FIG. 8 is a bottom plan view thereof.

1 Claim, 8 Drawing Sheets



(56)

References Cited

U.S. PATENT DOCUMENTS

D764,863	S	8/2016	Lee et al.	
9,427,110	B2	8/2016	Hoare et al.	
D804,893	S	12/2017	De Longhi et al.	
D818,299	S *	5/2018	Barquin	D7/311
D839,041	S	1/2019	Vu et al.	
D839,659	S	2/2019	Cometti	
D849,464	S	5/2019	McConnell et al.	
D853,174	S	7/2019	Zernhelt et al.	
D861,407	S	10/2019	Vu et al.	
D876,157	S *	2/2020	Gollnick	D7/373
D889,906	S *	7/2020	Yin	D7/397
D916,548	S *	4/2021	Bazzicalupo	D7/373
D956,463	S *	7/2022	Kim	D7/311
D966,031	S *	10/2022	Gollnick	D7/373
2010/0011975	A1	1/2010	Mazzer	
2016/0235249	A1	8/2016	Teahan	
2017/0138782	A1	5/2017	Beber et al.	
2018/0303288	A1	10/2018	Mazzer	

* cited by examiner

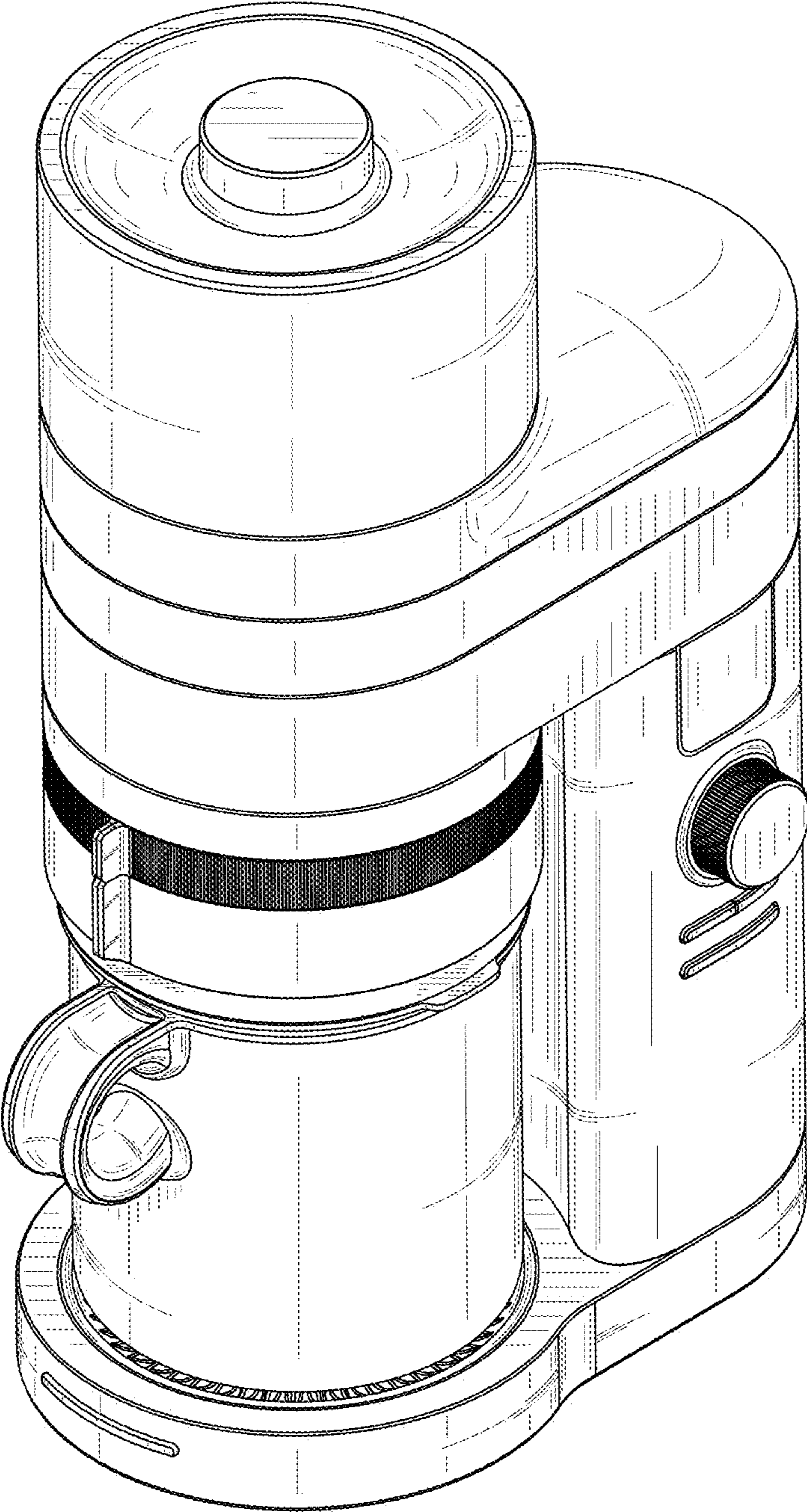


FIG. 1

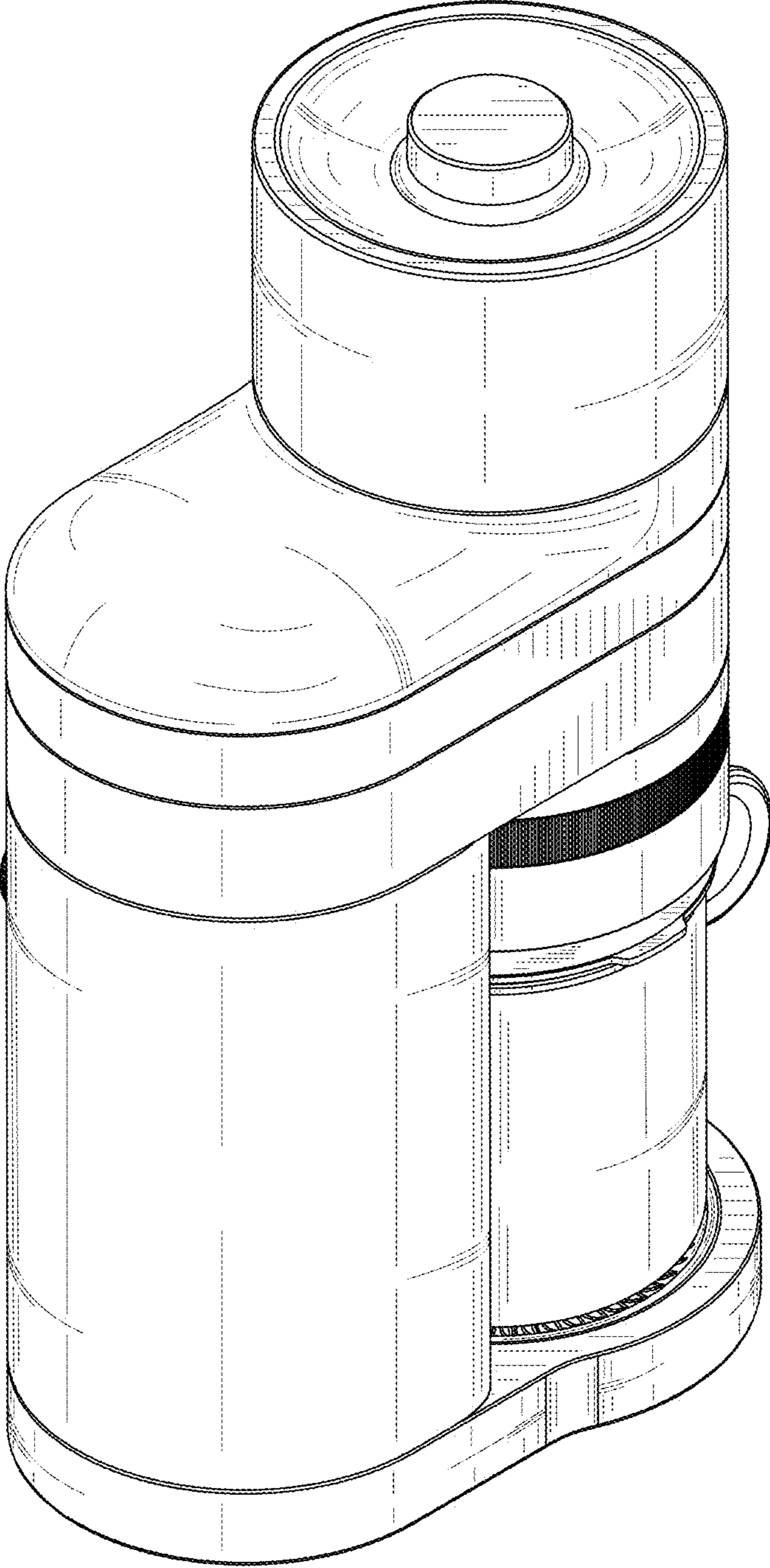


FIG. 2

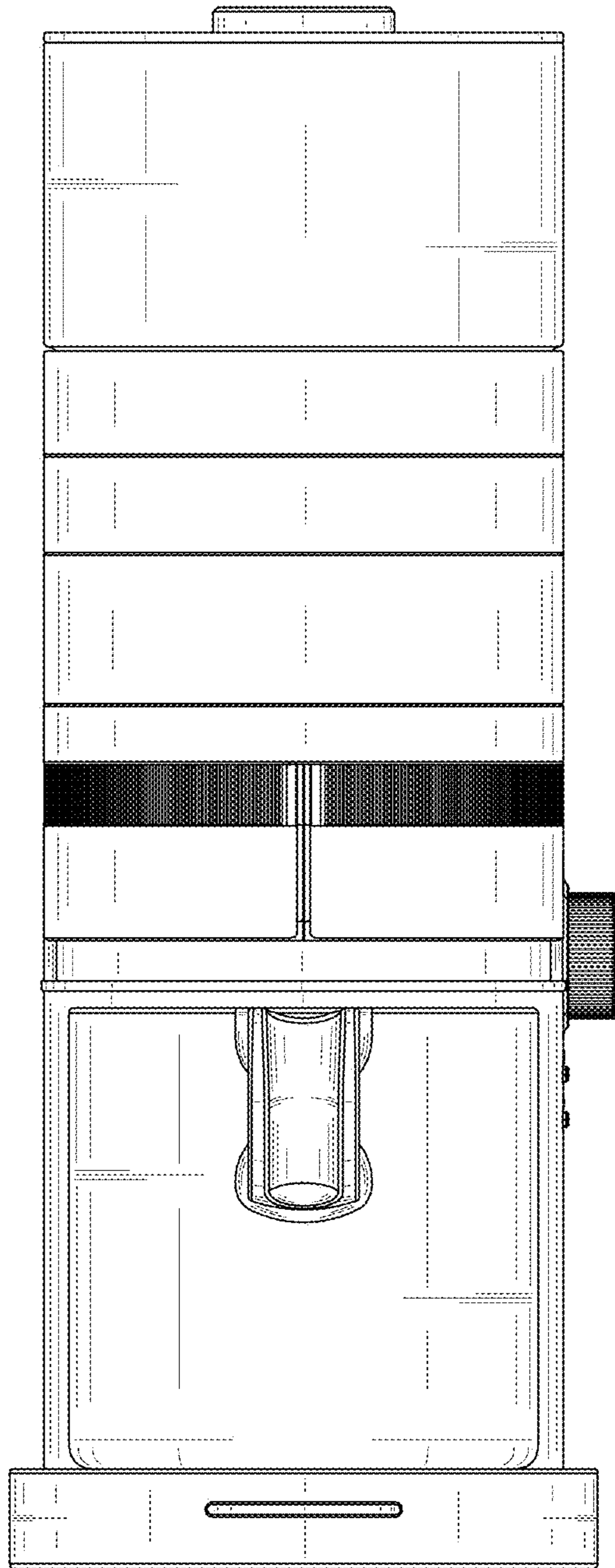


FIG. 3

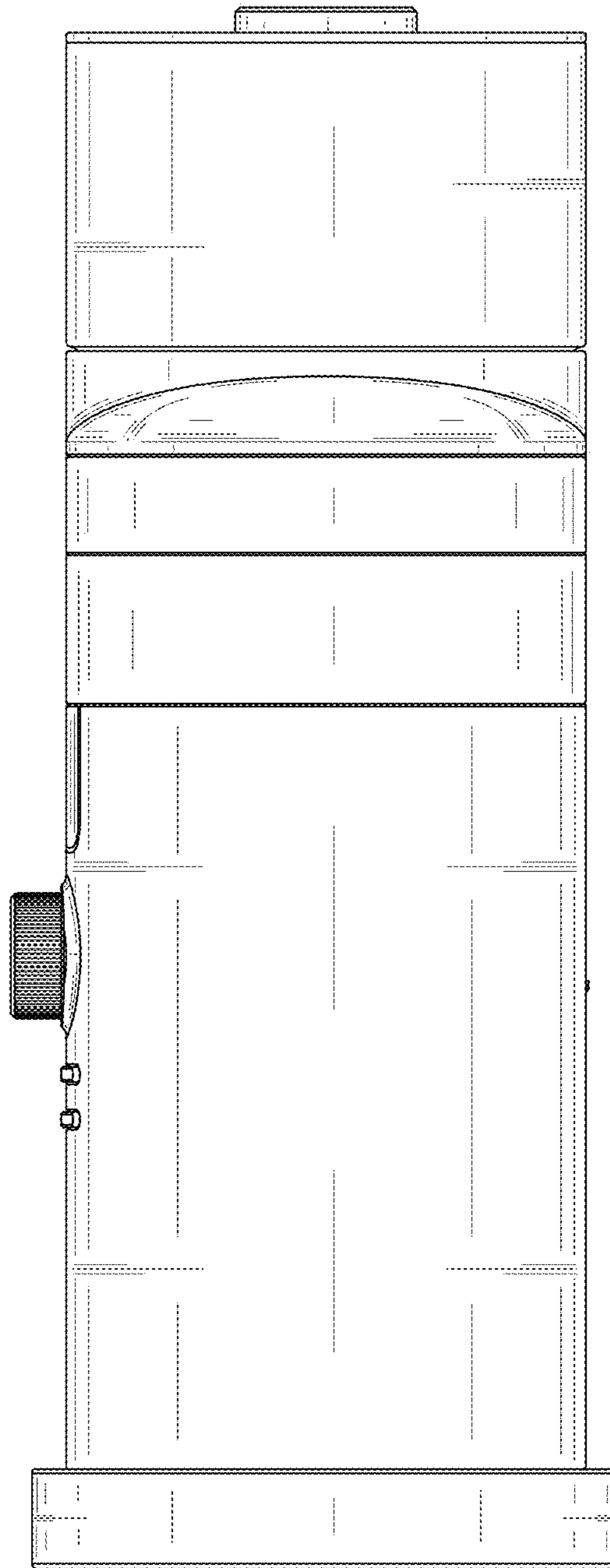


FIG. 4

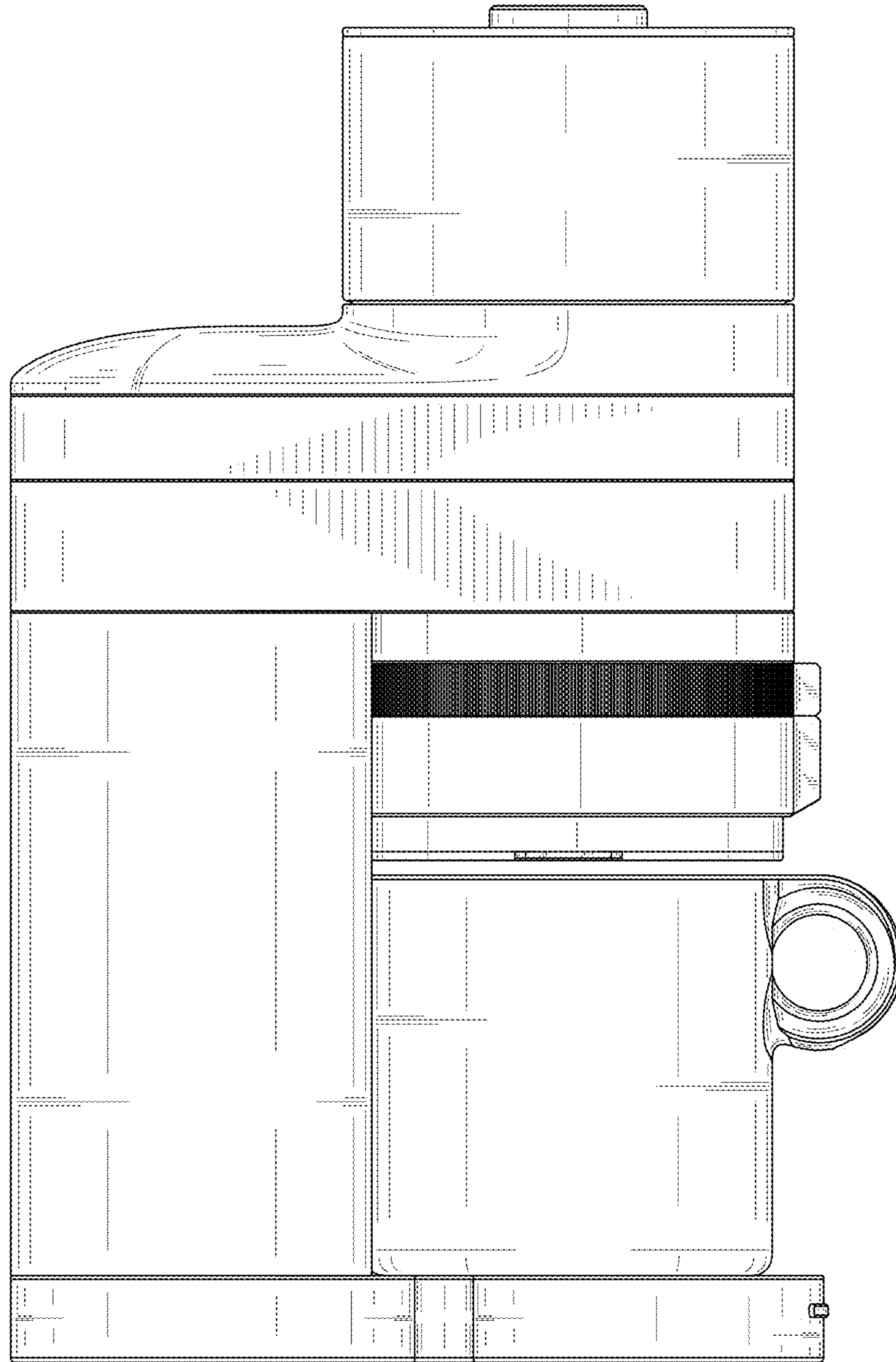


FIG. 5

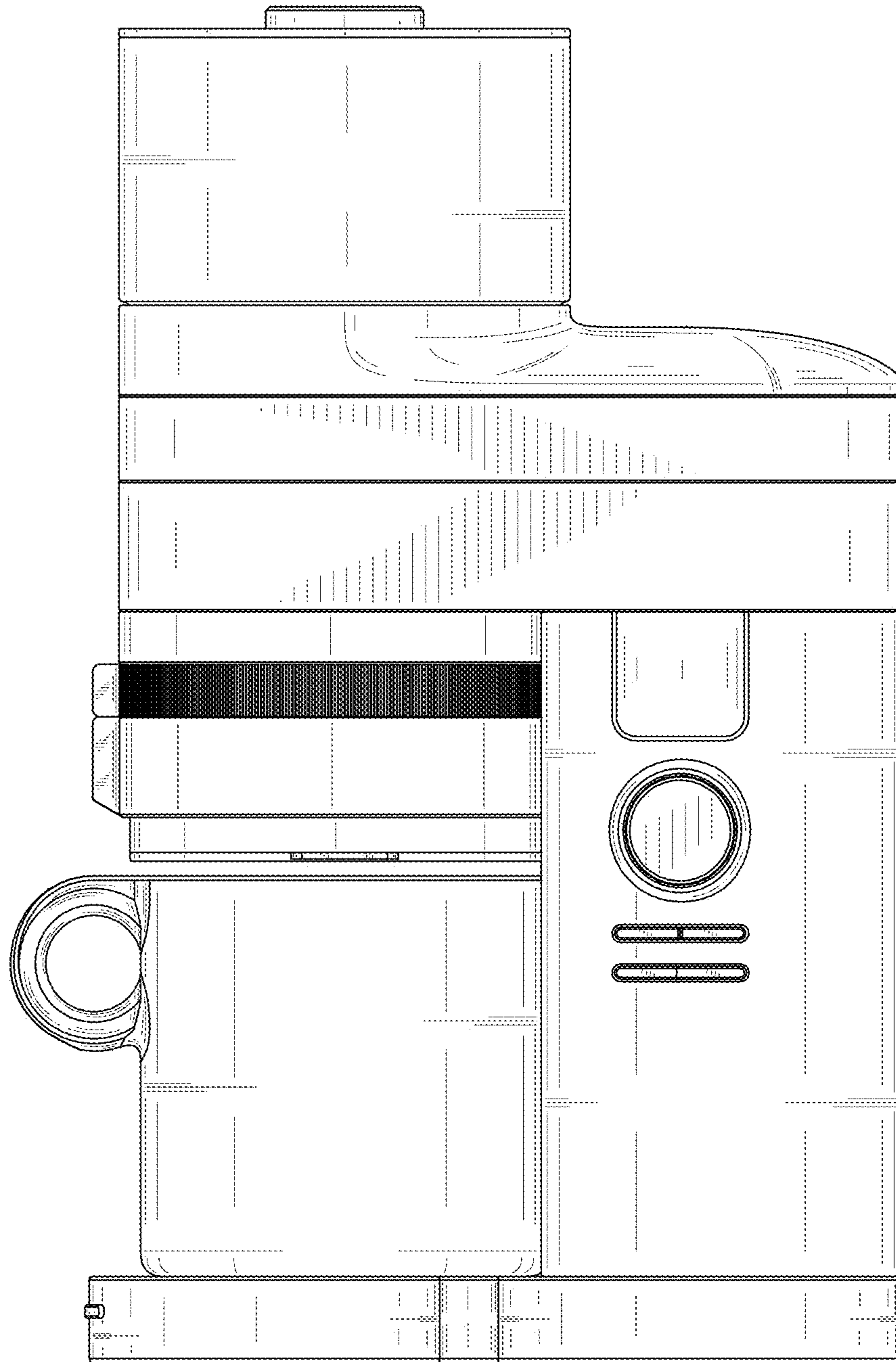


FIG. 6

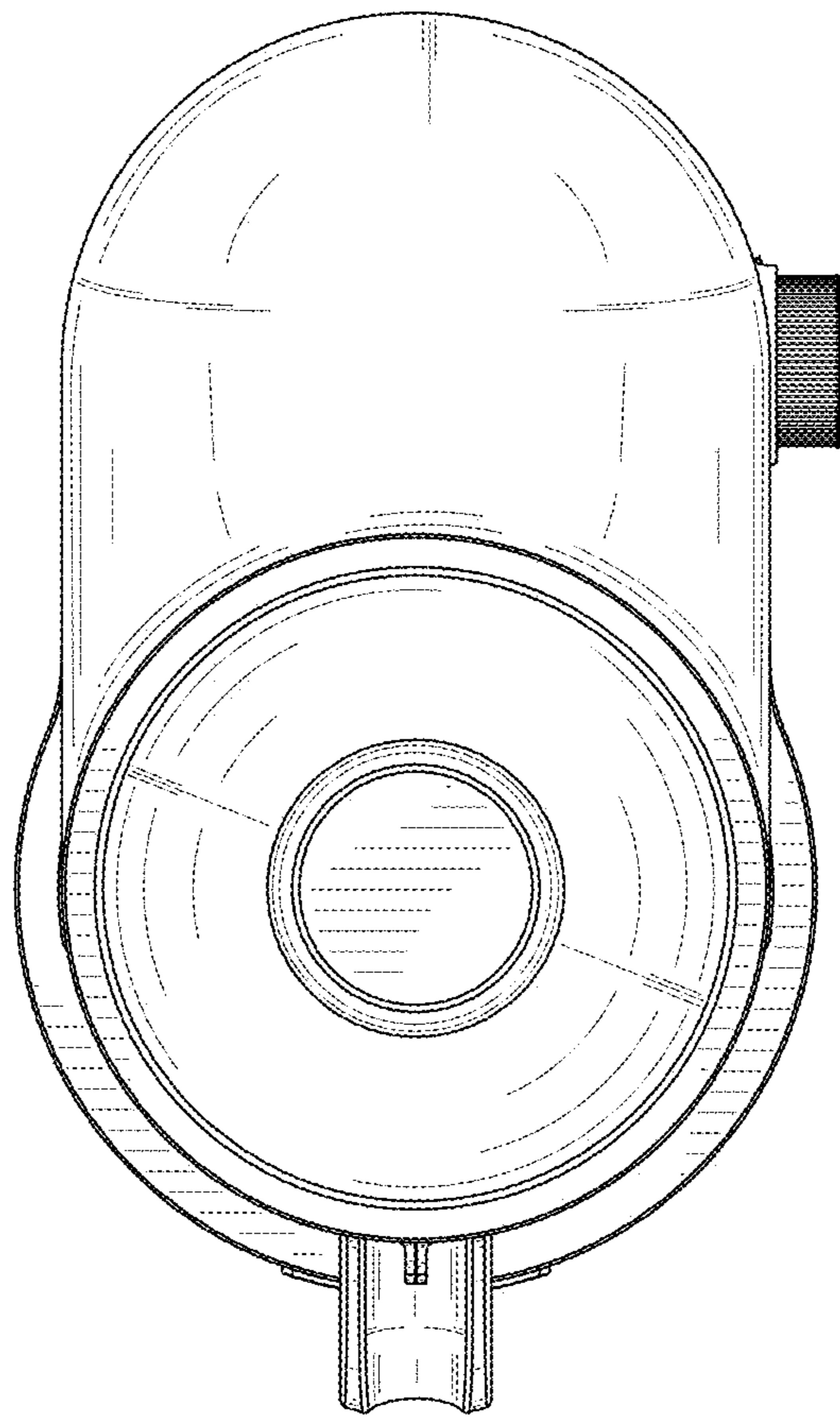


FIG. 7

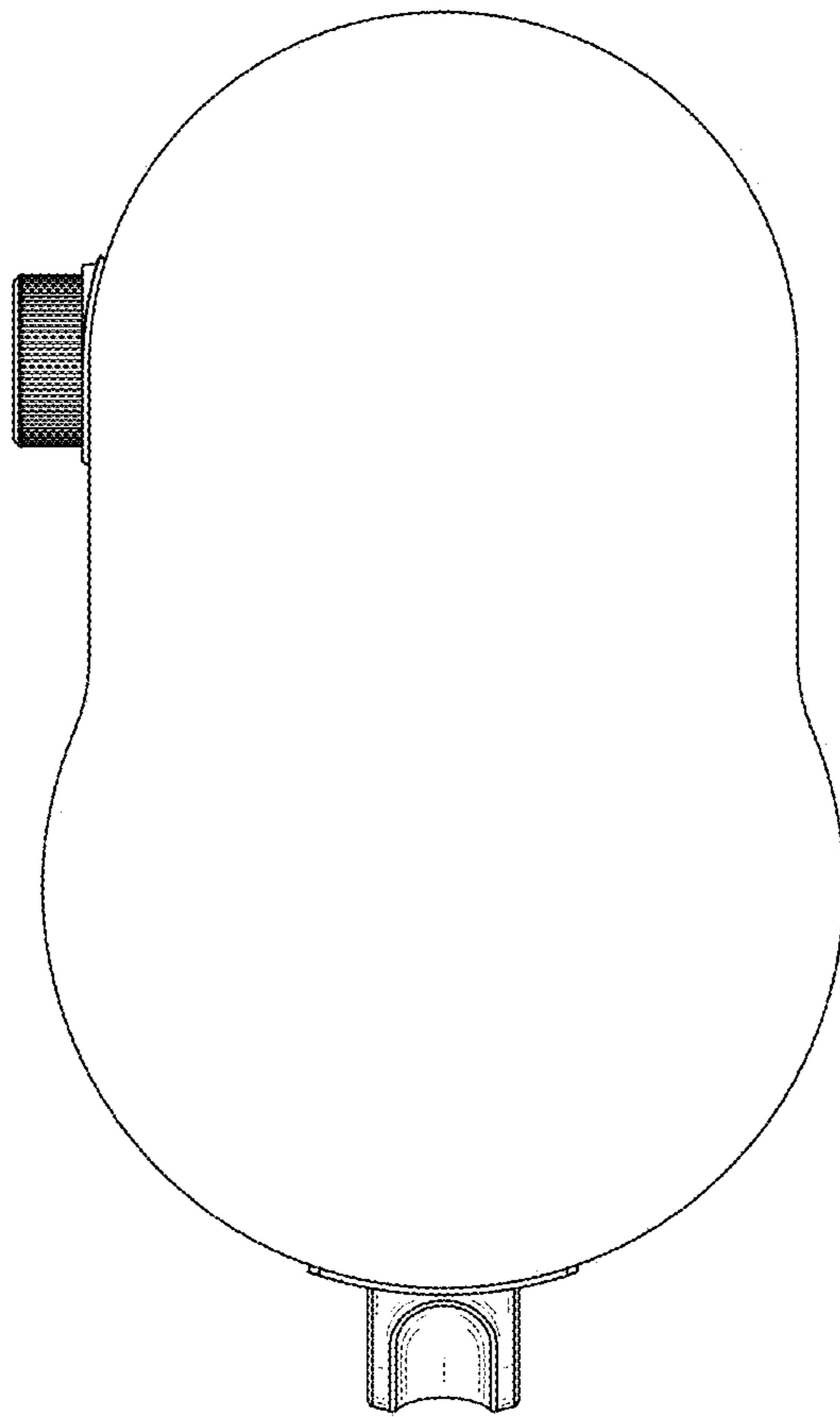


FIG. 8