



US00D980670S

(12) **United States Design Patent**
Huang

(10) **Patent No.:** **US D980,670 S**
(45) **Date of Patent:** **** Mar. 14, 2023**

(54) **EGG BEATER**

- (71) Applicant: **JIEYANG CHANGRONG INDUSTRY CO., LTD.**, Jieyang (CN)
- (72) Inventor: **Daming Huang**, Jieyang (CN)
- (73) Assignee: **JIEYANG CHANGRONG INDUSTRY CO., LTD.**, Jieyang (CN)
- (**) Term: **15 Years**

- (21) Appl. No.: **29/773,866**
- (22) Filed: **Mar. 12, 2021**
- (51) **LOC (14) Cl.** **31-00**
- (52) **U.S. Cl.**
USPC **D7/379; D7/376**
- (58) **Field of Classification Search**
USPC D7/372, 376, 377, 378, 379, 380, 381, D7/382, 383, 384, 385, 386, 412, 413, D7/669, 679, 694
CPC .. A47J 43/04; A47J 43/25; A47J 43/27; A47J 43/042; A47J 43/044; A47J 43/046; A47J 43/075; A47J 43/0716; A47J 43/0722; A47J 43/0727; A47J 36/2411; A21C 1/02; A21C 1/04; A23N 1/00; A23N 1/02; B01F 3/00; B01F 3/0807; B01F 3/0853; B01F 13/047
See application file for complete search history.

(56) **References Cited**

U.S. PATENT DOCUMENTS

D329,166 S	*	9/1992	Doggett	D7/379
D400,049 S	*	10/1998	Wanat	D7/379
D628,012 S	*	11/2010	Bodum	D7/379
D800,493 S	*	10/2017	Müller	D7/384
D892,539 S	*	8/2020	McConnell	D7/379
D902,638 S	*	11/2020	Chen	D7/354
D905,497 S	*	12/2020	Carlson	D7/379

(Continued)

FOREIGN PATENT DOCUMENTS

CN RGN 3414423 * 5/2004

OTHER PUBLICATIONS

Shardor Hand Mixer, 350W Handheld Mixer with Storage Case 5-Speed Plus Turbo Hand Mixer from Shardor Store Online, Published May 11, 2020, Retrieved on Dec. 20, 2022 from URL:https://www.amazon.com/SHARDOR-Advantage-Electric-Stainless-Attachments/dp/B088FPNY9X?th=1 (Year: 2020).*

Primary Examiner — Shannon W Morgan
Assistant Examiner — Royner Mendoza

(57) **CLAIM**

The ornamental design for an egg beater, as shown and described.

DESCRIPTION

FIG. 1 is a perspective view of a first component of an egg beater showing my new design, shown separately for illustration;

FIG. 2 is another perspective view thereof;

FIG. 3 is a front elevational view thereof;

FIG. 4 is a rear elevational view thereof;

FIG. 5 is a left side elevational view thereof;

FIG. 6 is a right side elevational view thereof;

FIG. 7 is a top plan view thereof; and

FIG. 8 is a bottom plan view thereof;

FIG. 9 is a perspective view of a second component of the egg beater showing my new design, shown separately for illustration;

FIG. 10 is another perspective view thereof;

FIG. 11 is a front elevational view thereof;

FIG. 12 is a rear elevational view thereof;

FIG. 13 is a left side elevational view thereof;

FIG. 14 is a right side elevational view thereof;

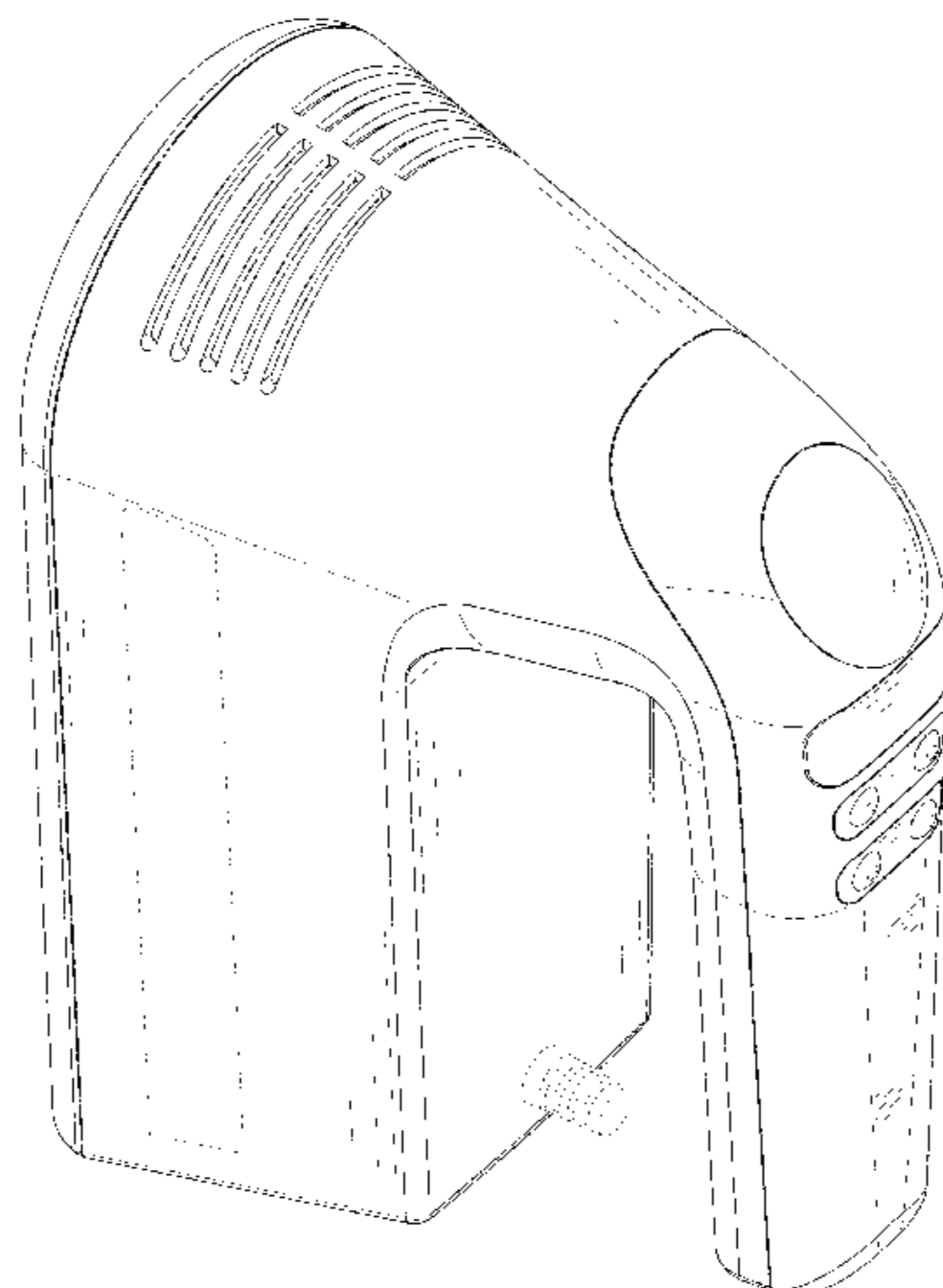
FIG. 15 is a top plan view thereof;

FIG. 16 is a bottom plan view thereof; and,

FIG. 17 is a perspective view of the egg beater.

The broken lines in the drawings depict portions of the egg beater that form no part of the claimed design.

1 Claim, 17 Drawing Sheets



(56)

References Cited

U.S. PATENT DOCUMENTS

D911,096 S * 2/2021 McConnell D7/379
D960,635 S * 8/2022 Jo D7/379

* cited by examiner

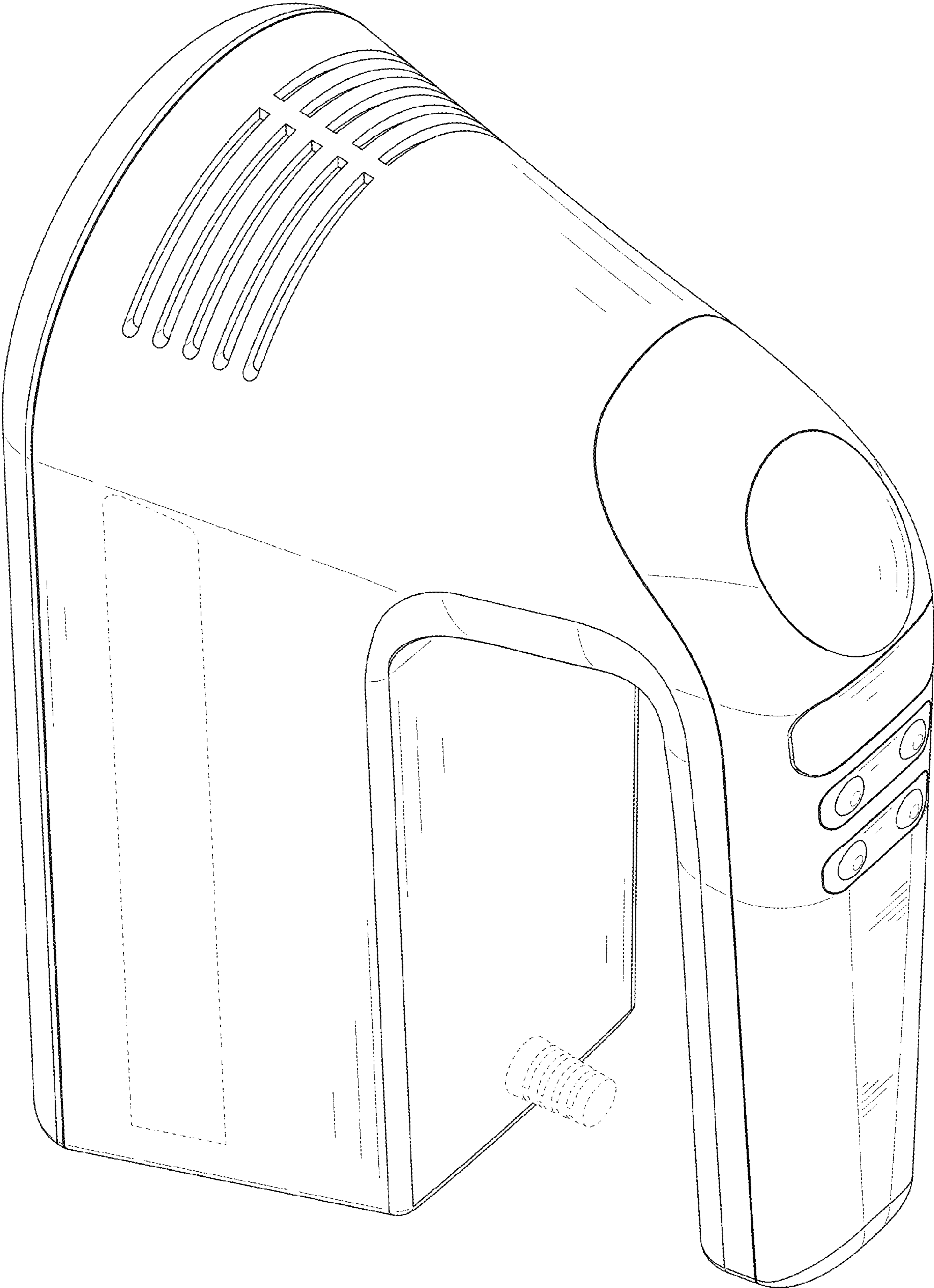


FIG. 1

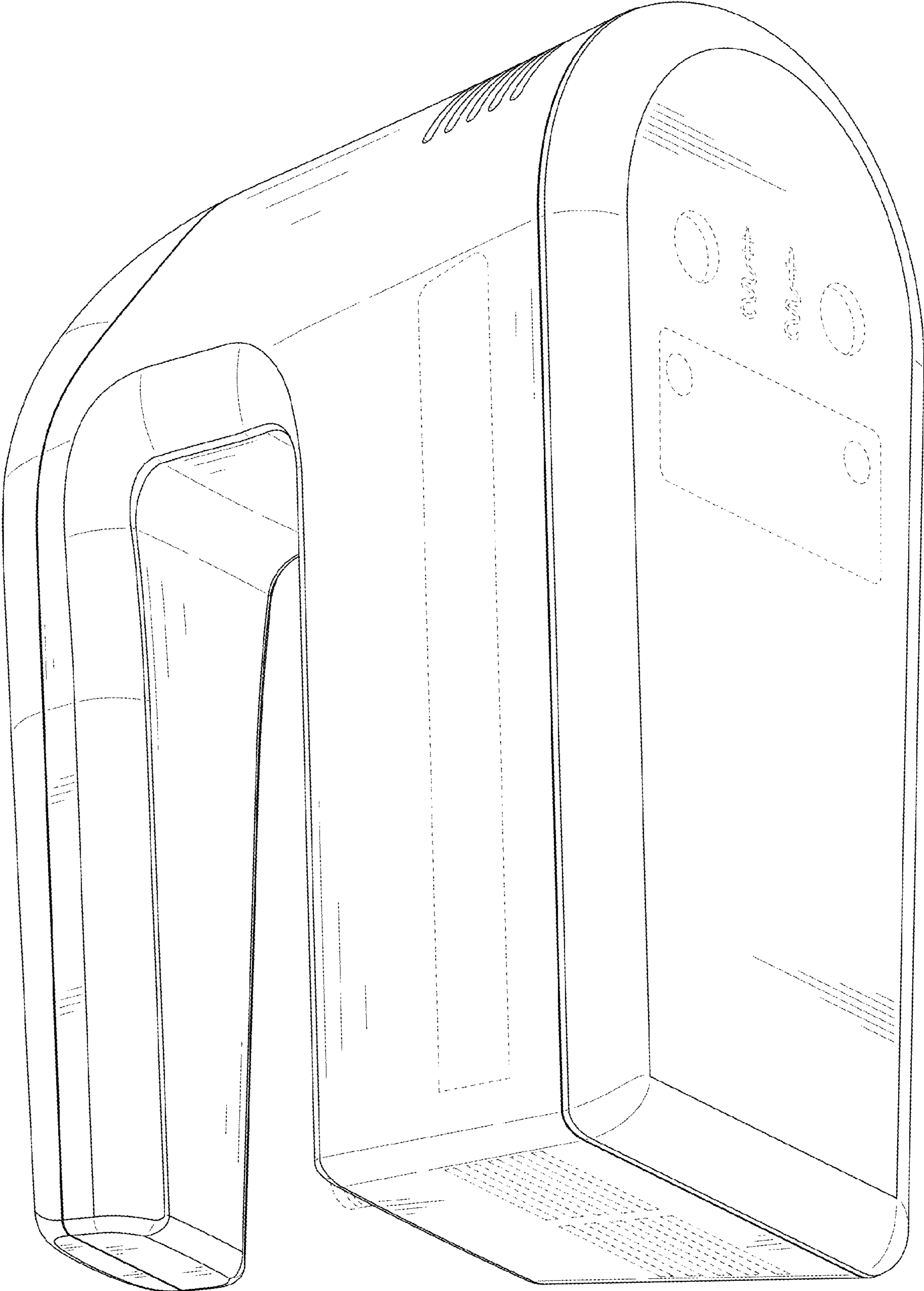


FIG. 2

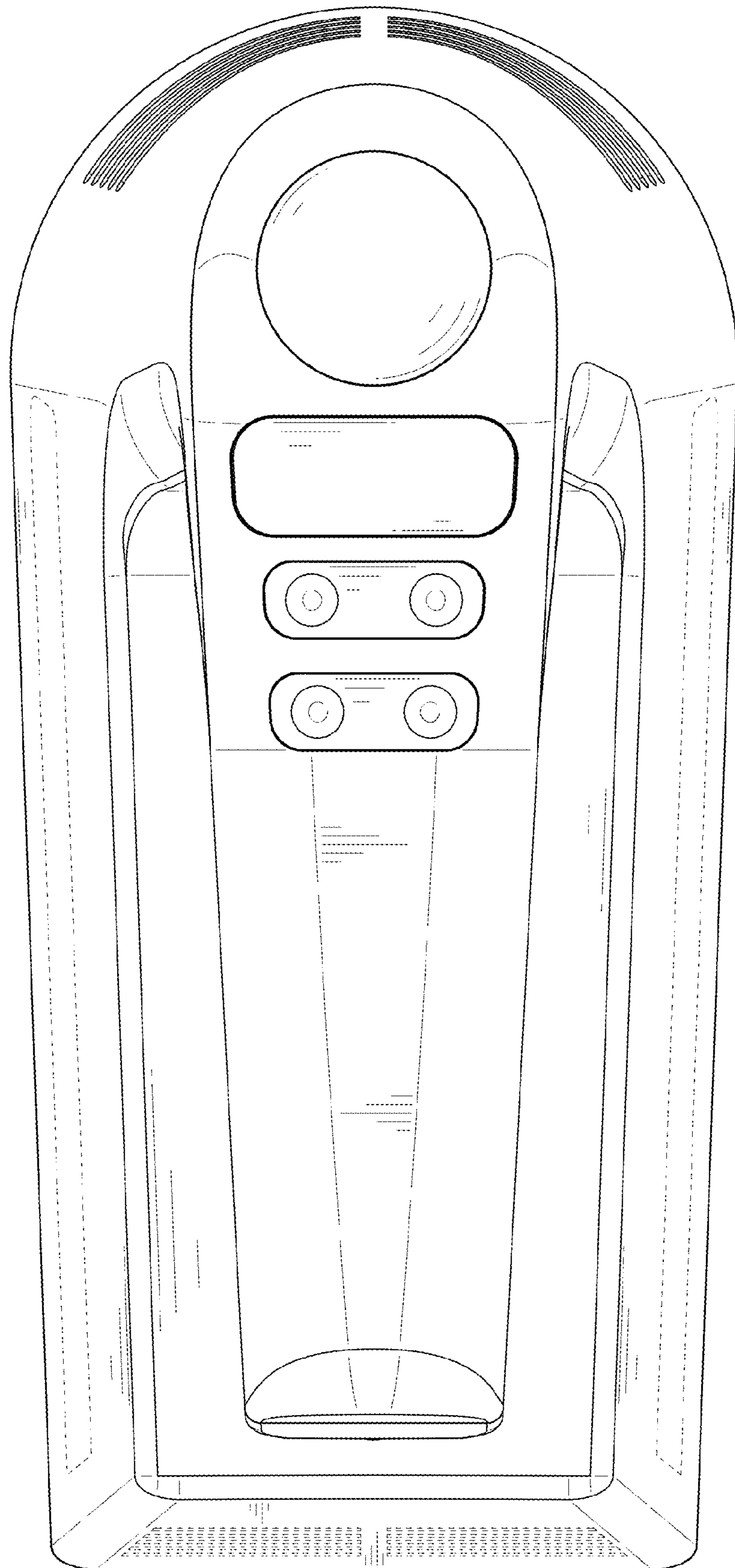


FIG. 3

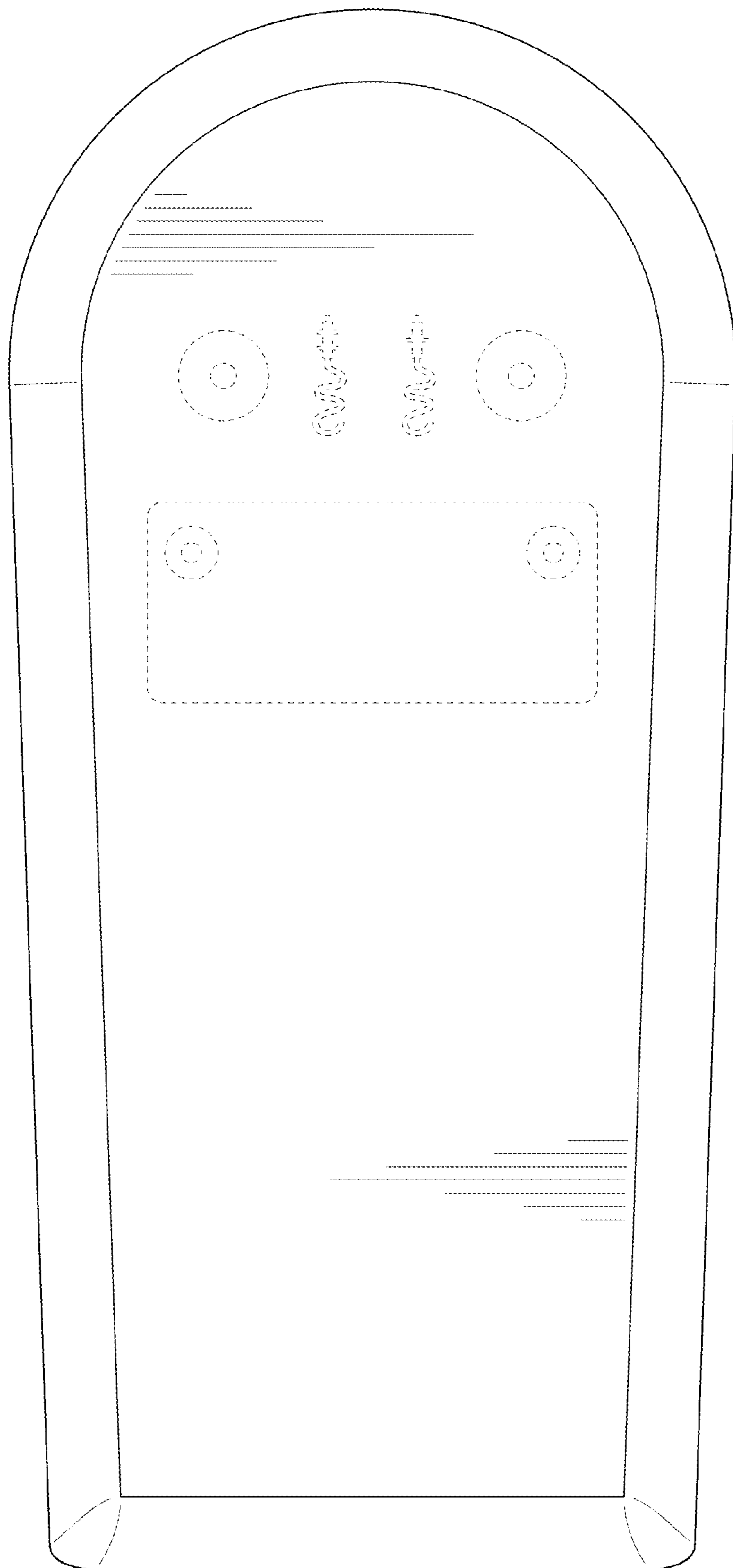


FIG. 4

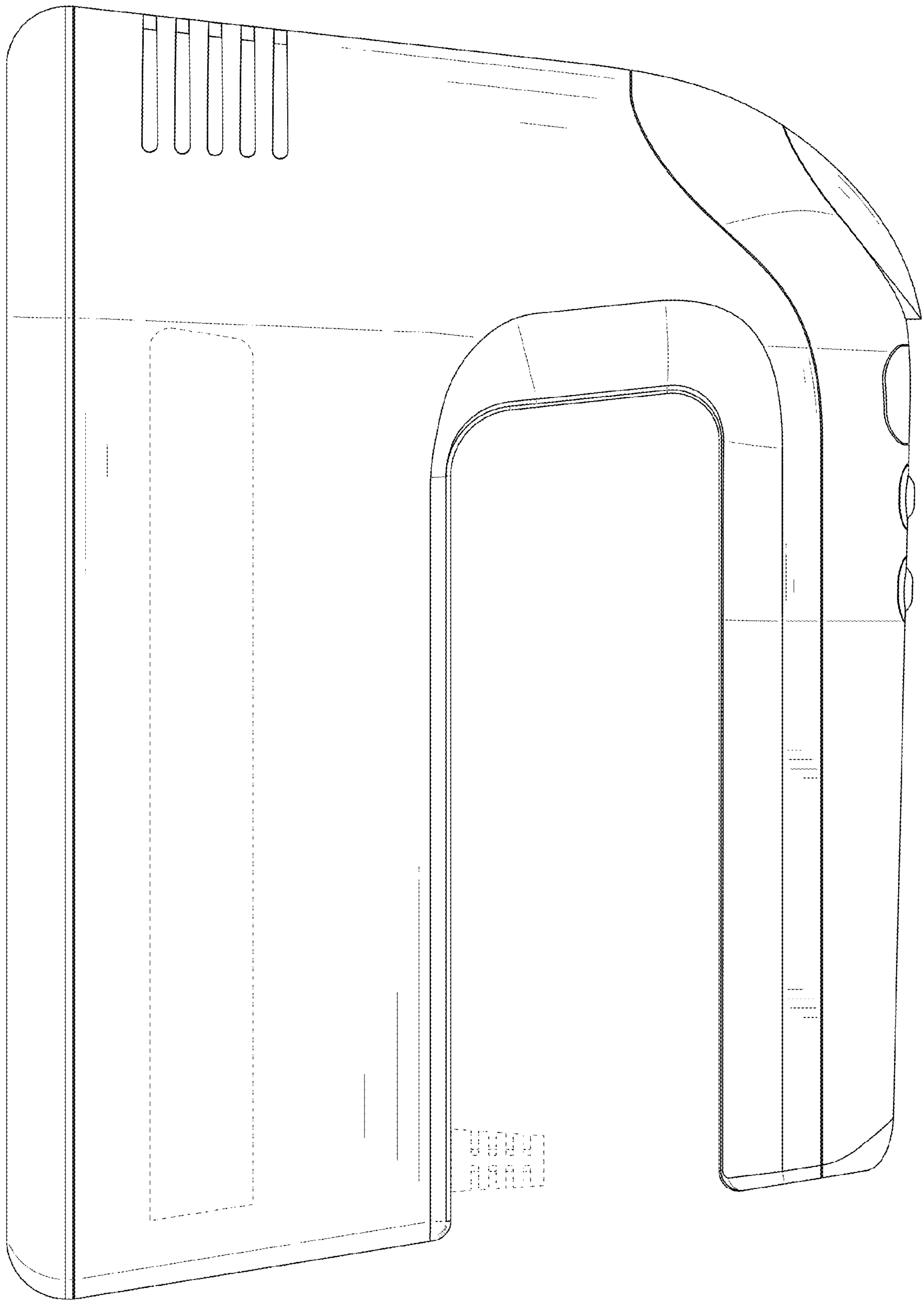


FIG. 5

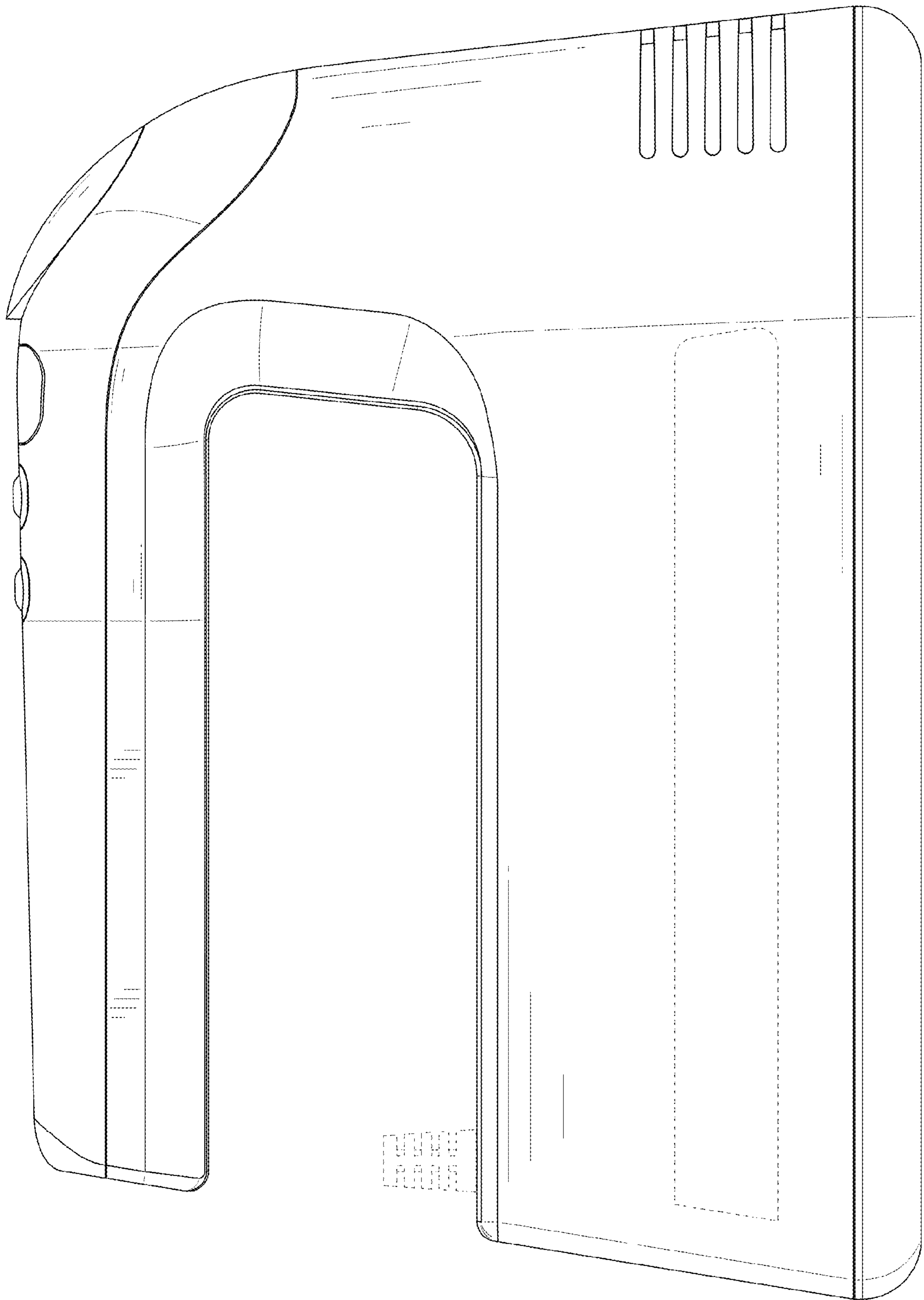


FIG. 6

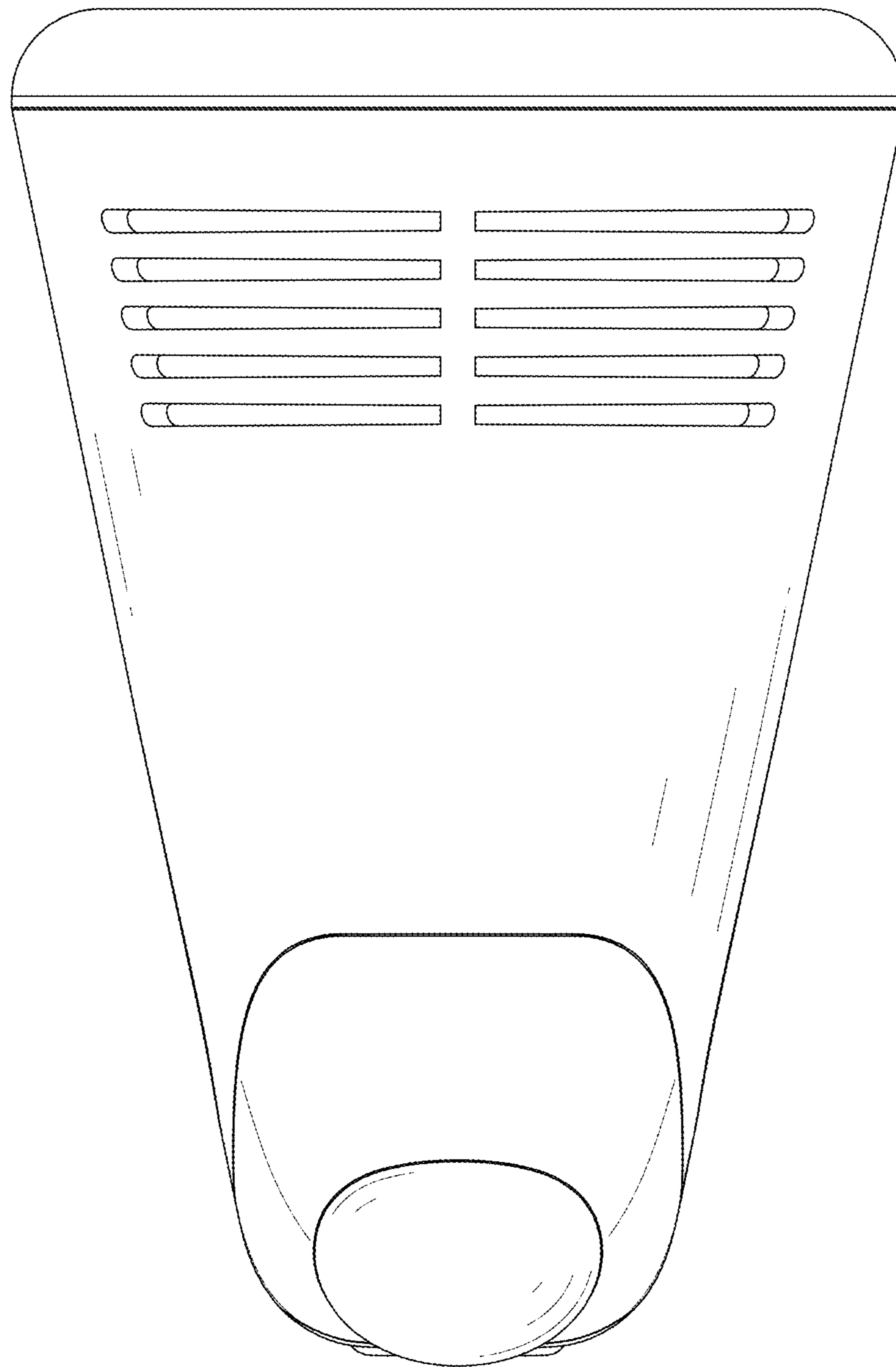


FIG. 7

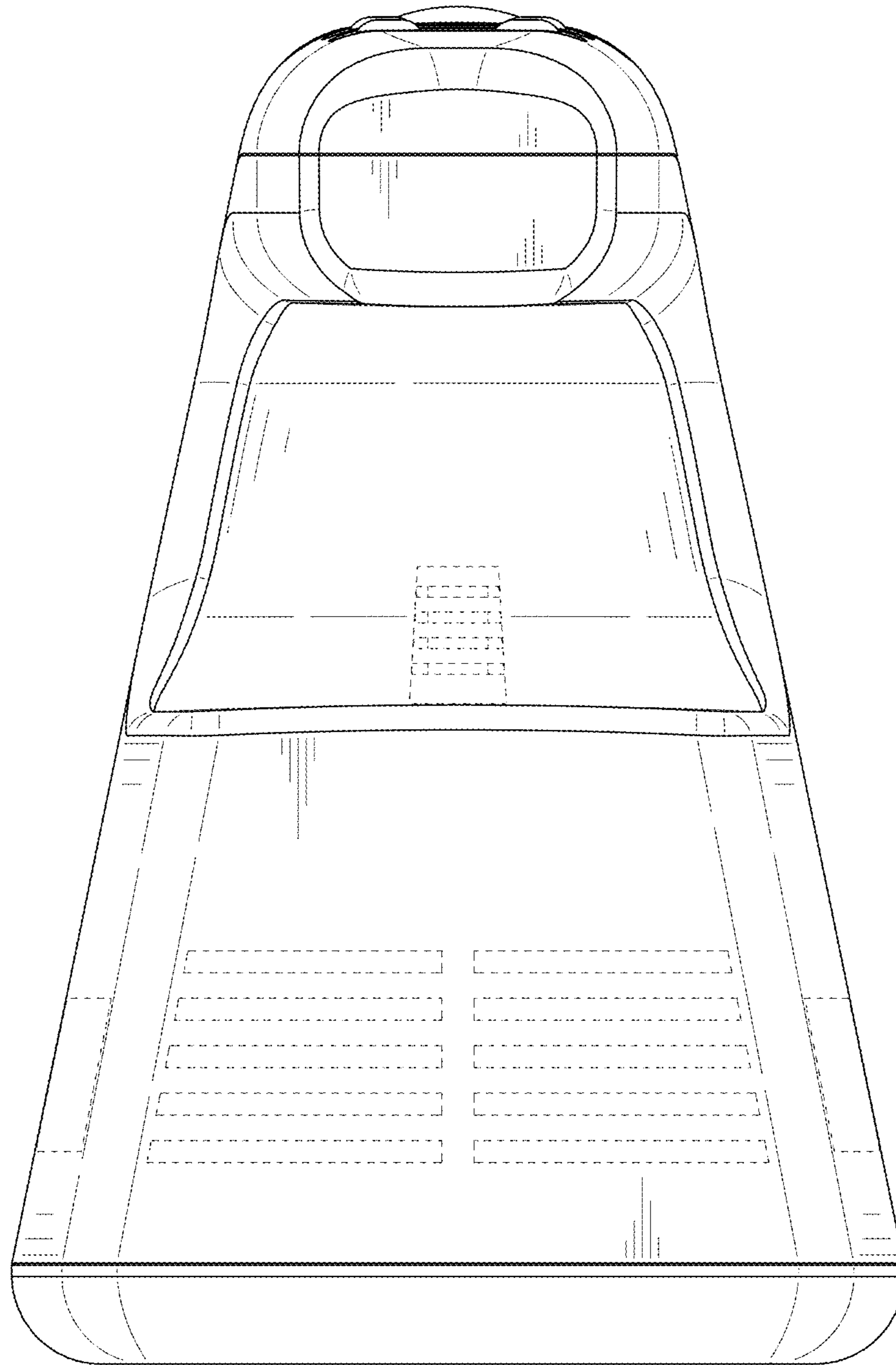


FIG. 8

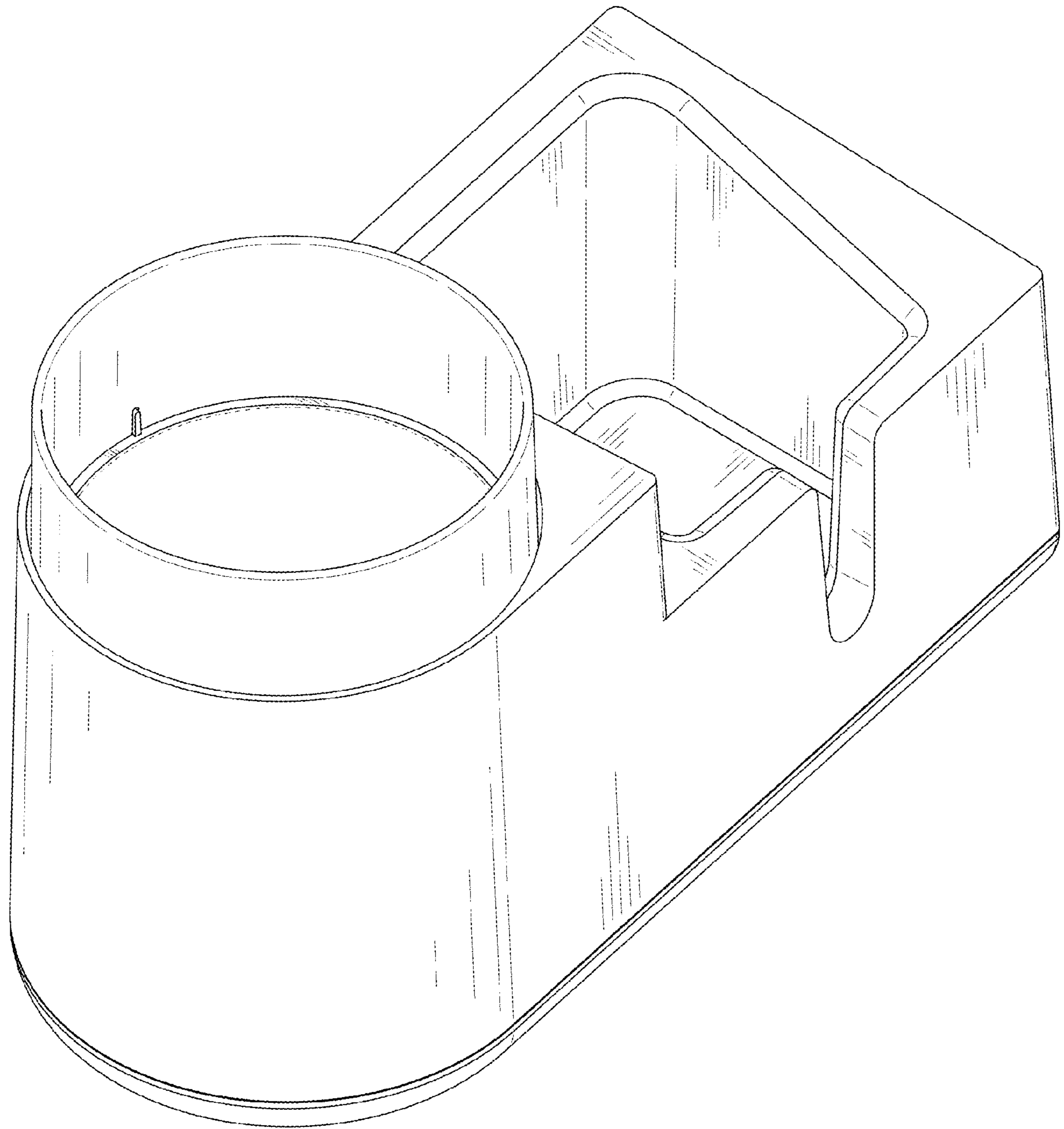


FIG. 9

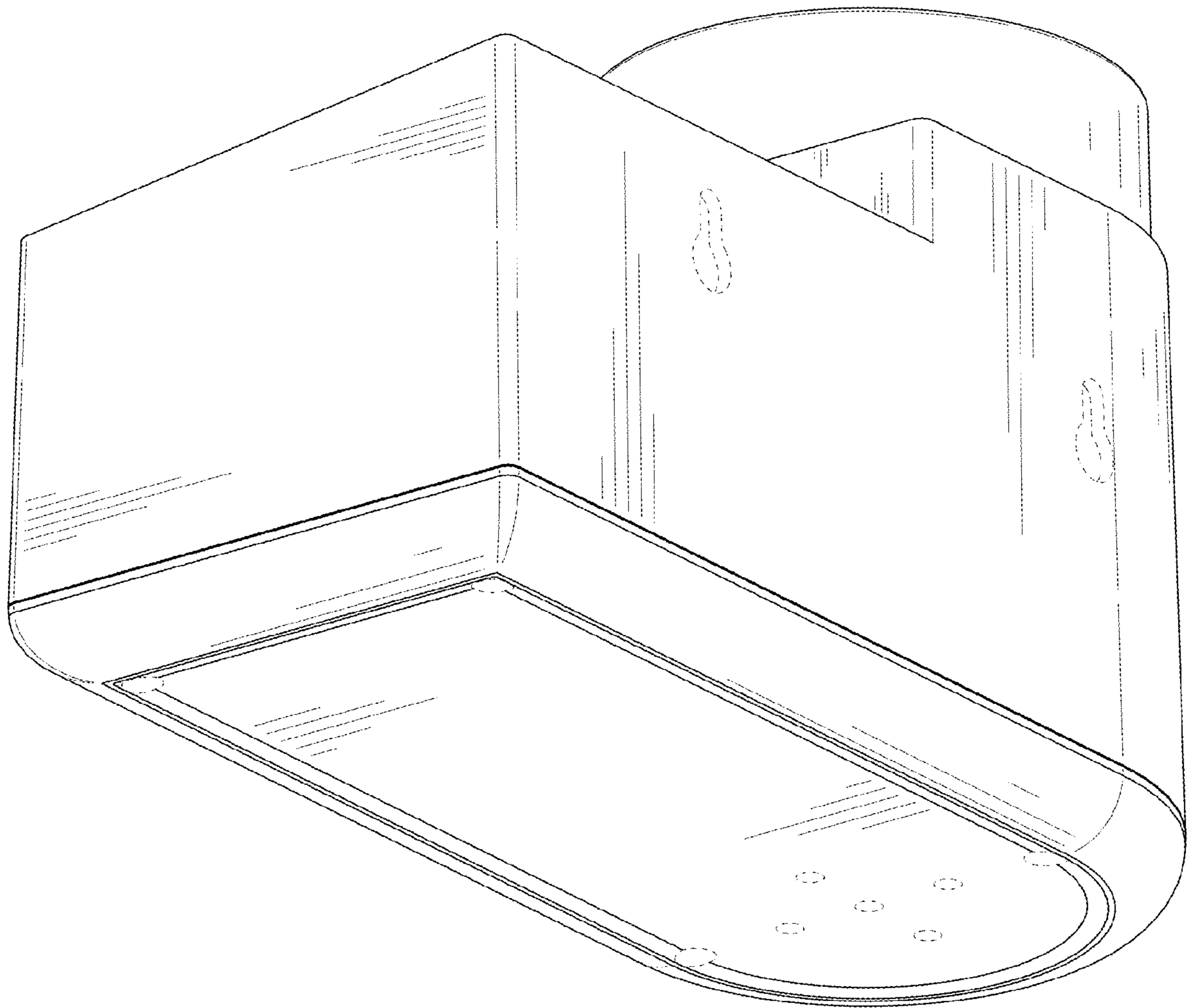


FIG. 10

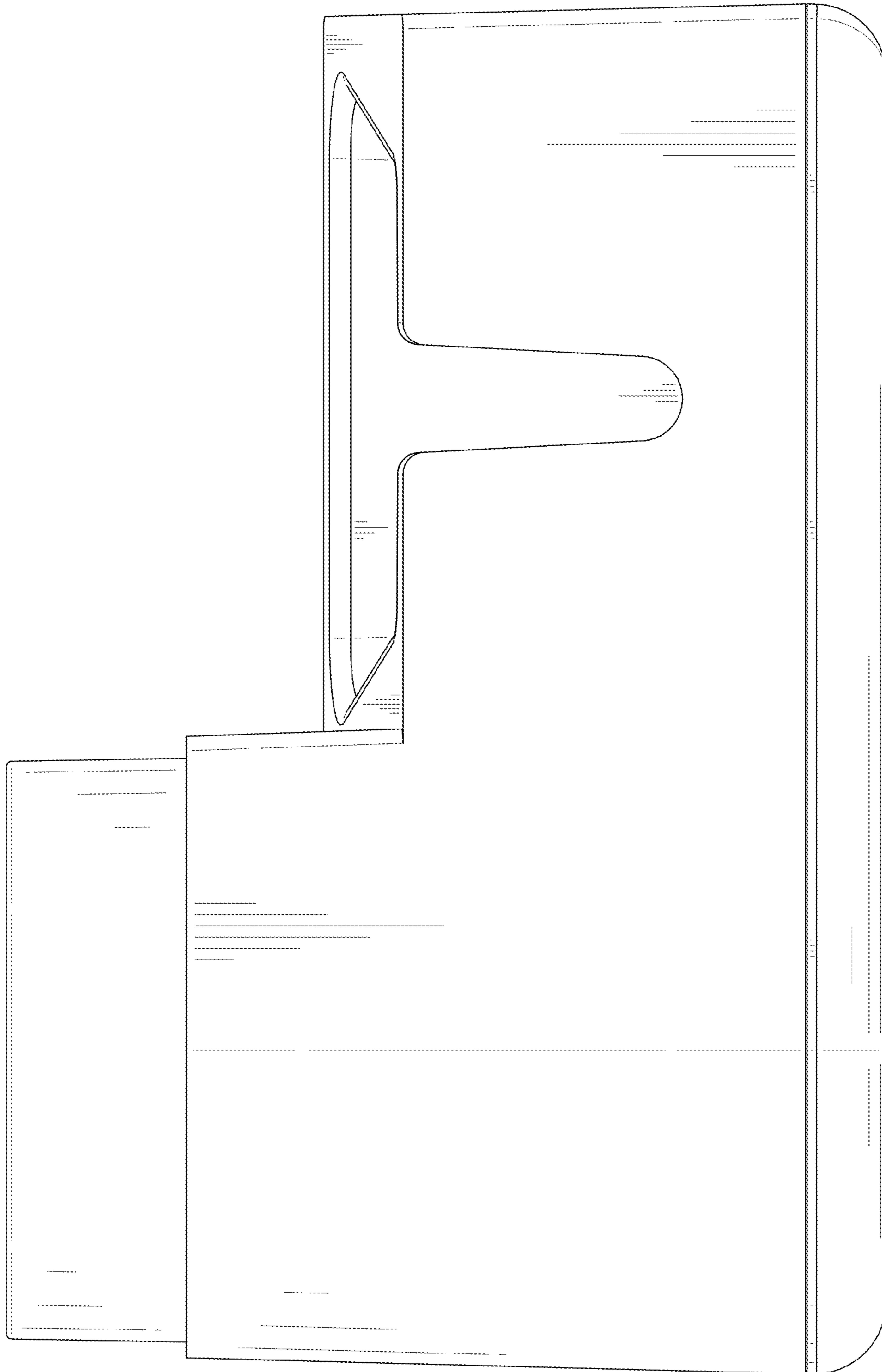


FIG. 11

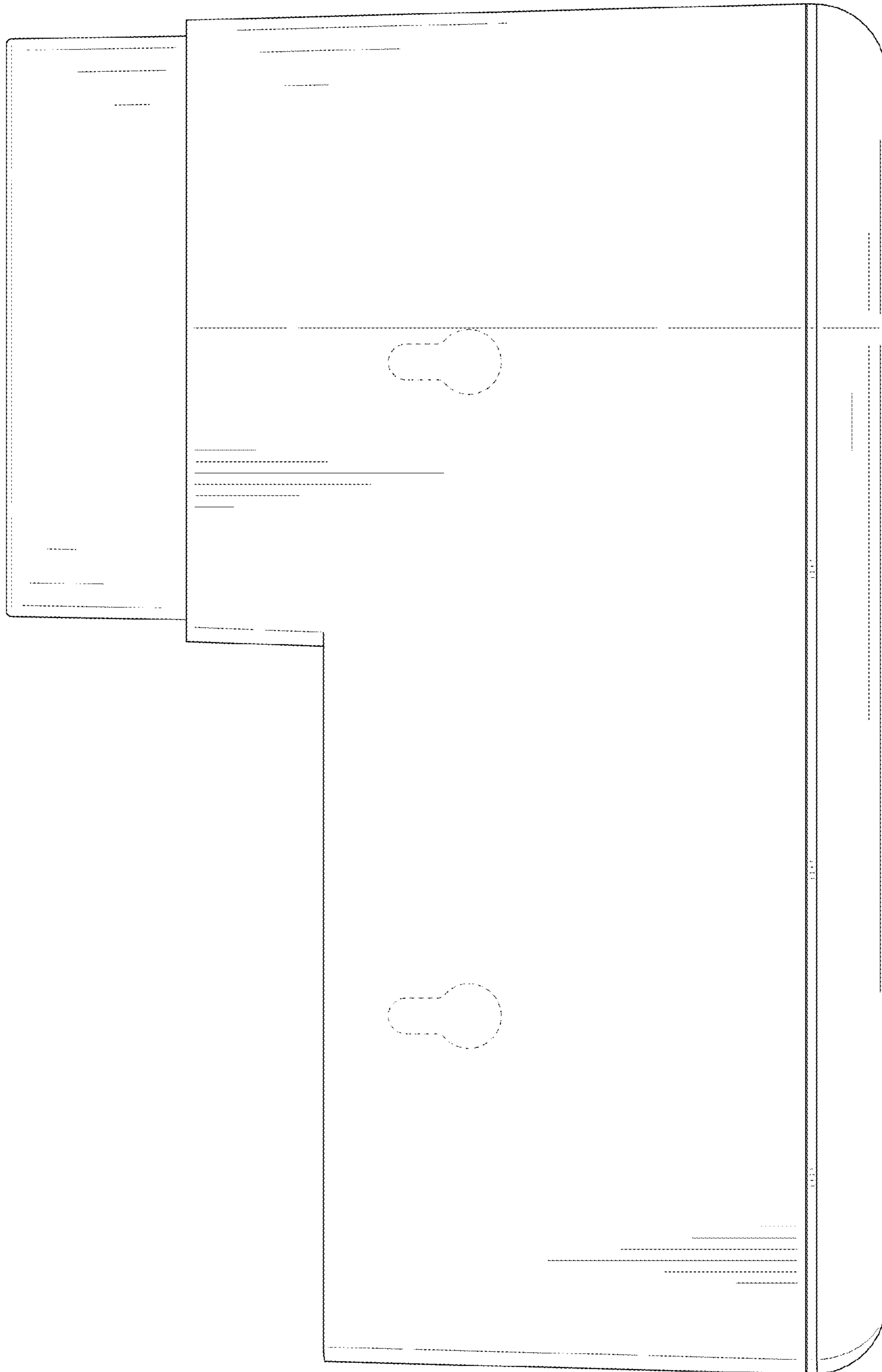


FIG. 12

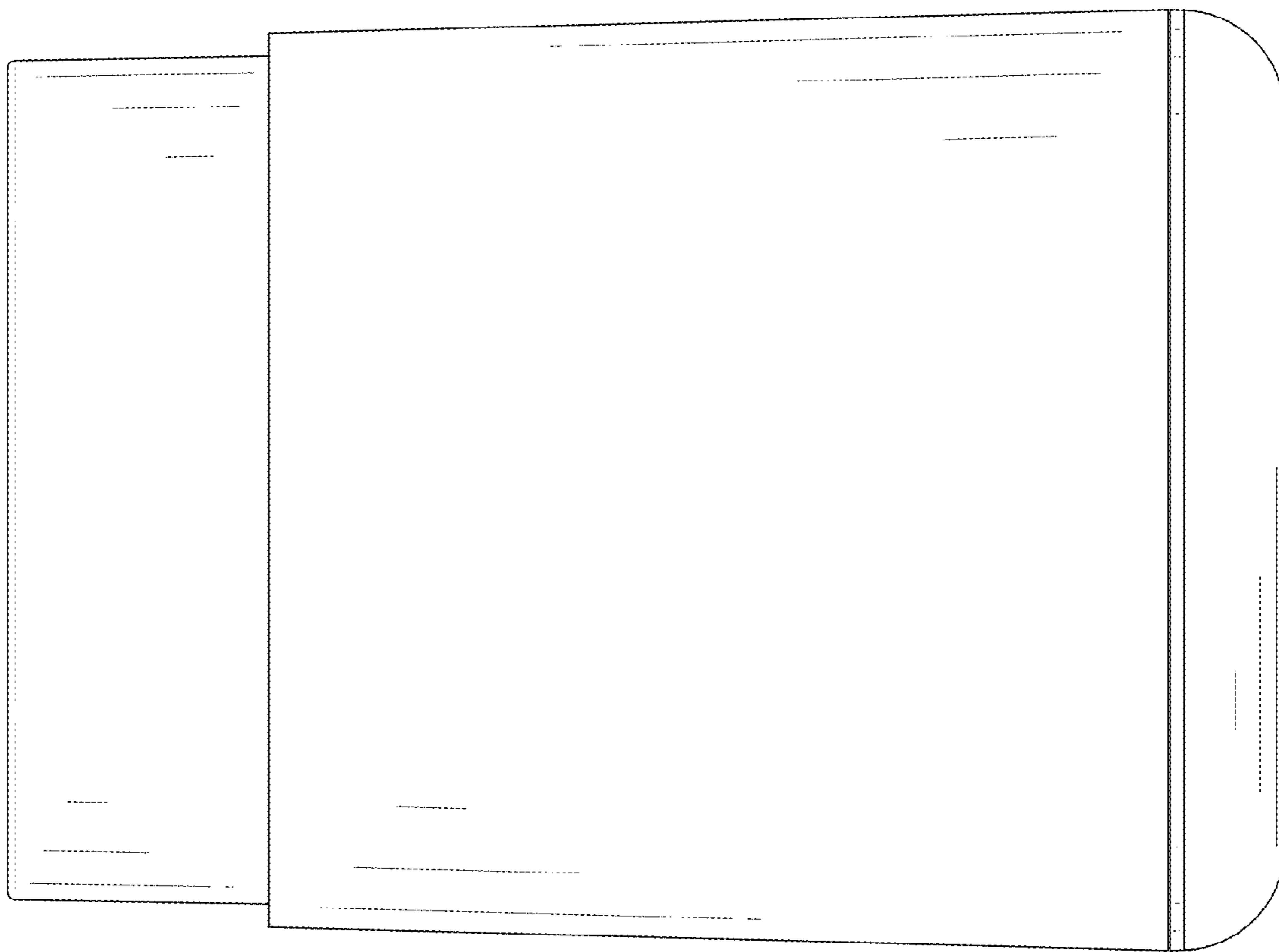


FIG. 13

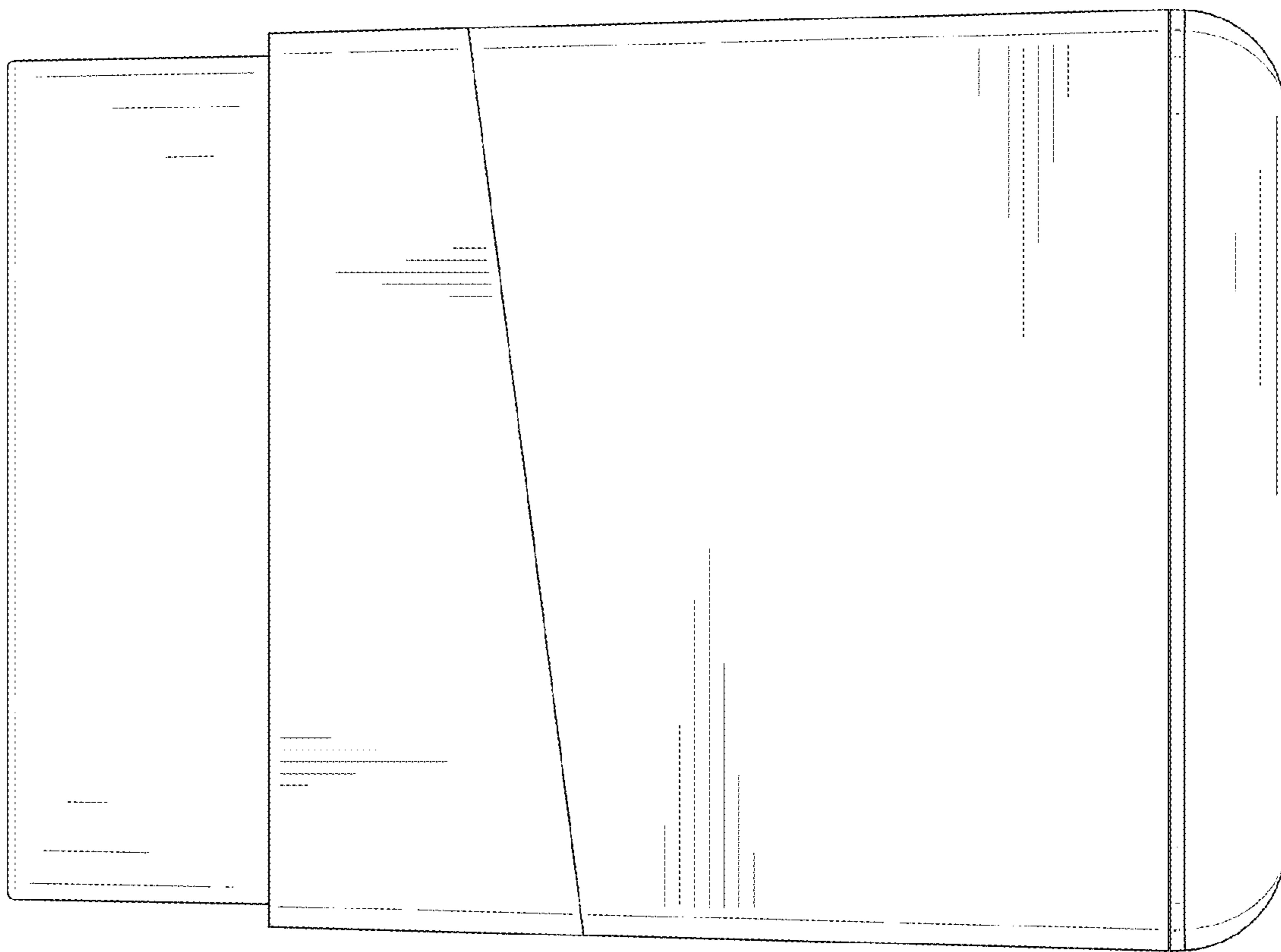


FIG. 14

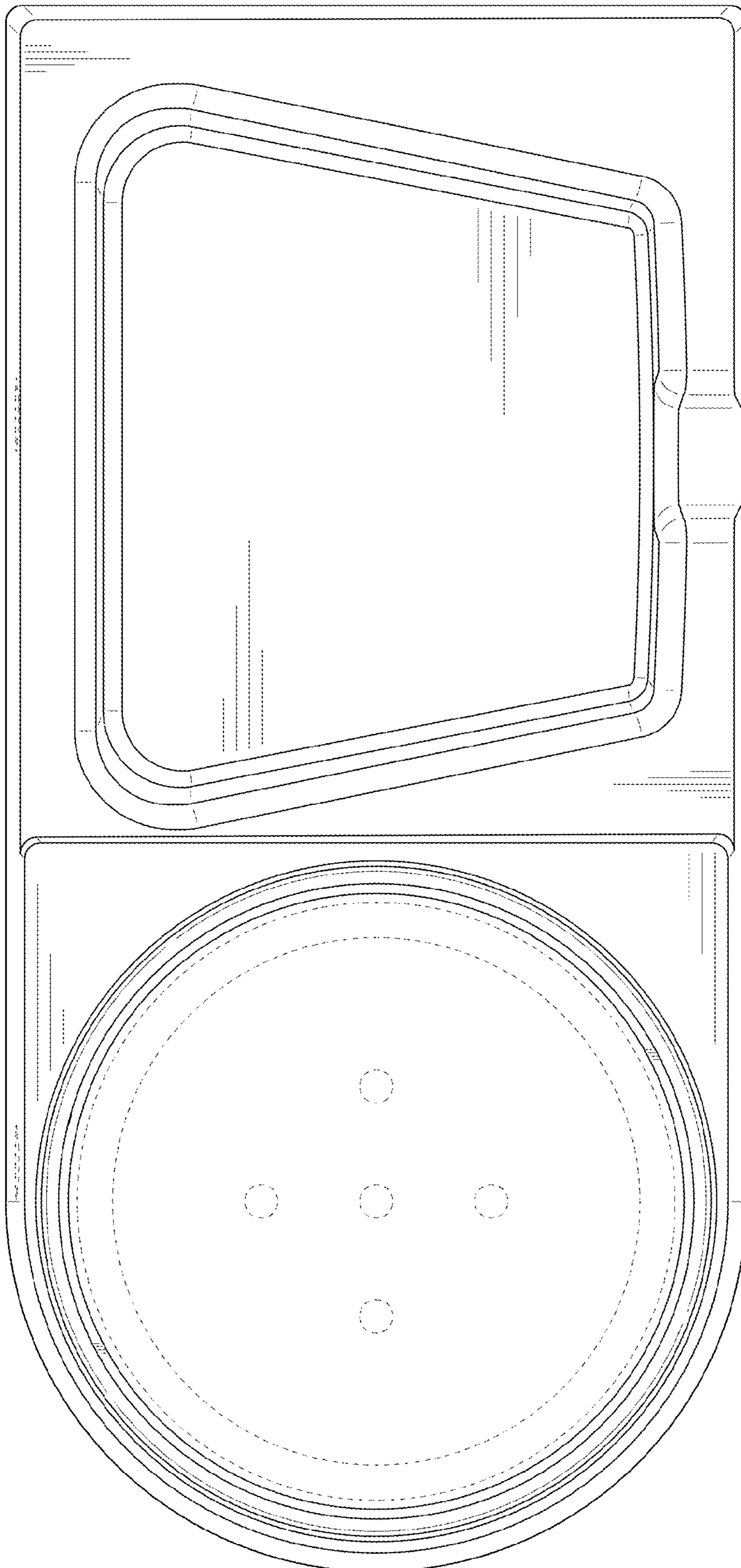


FIG. 15

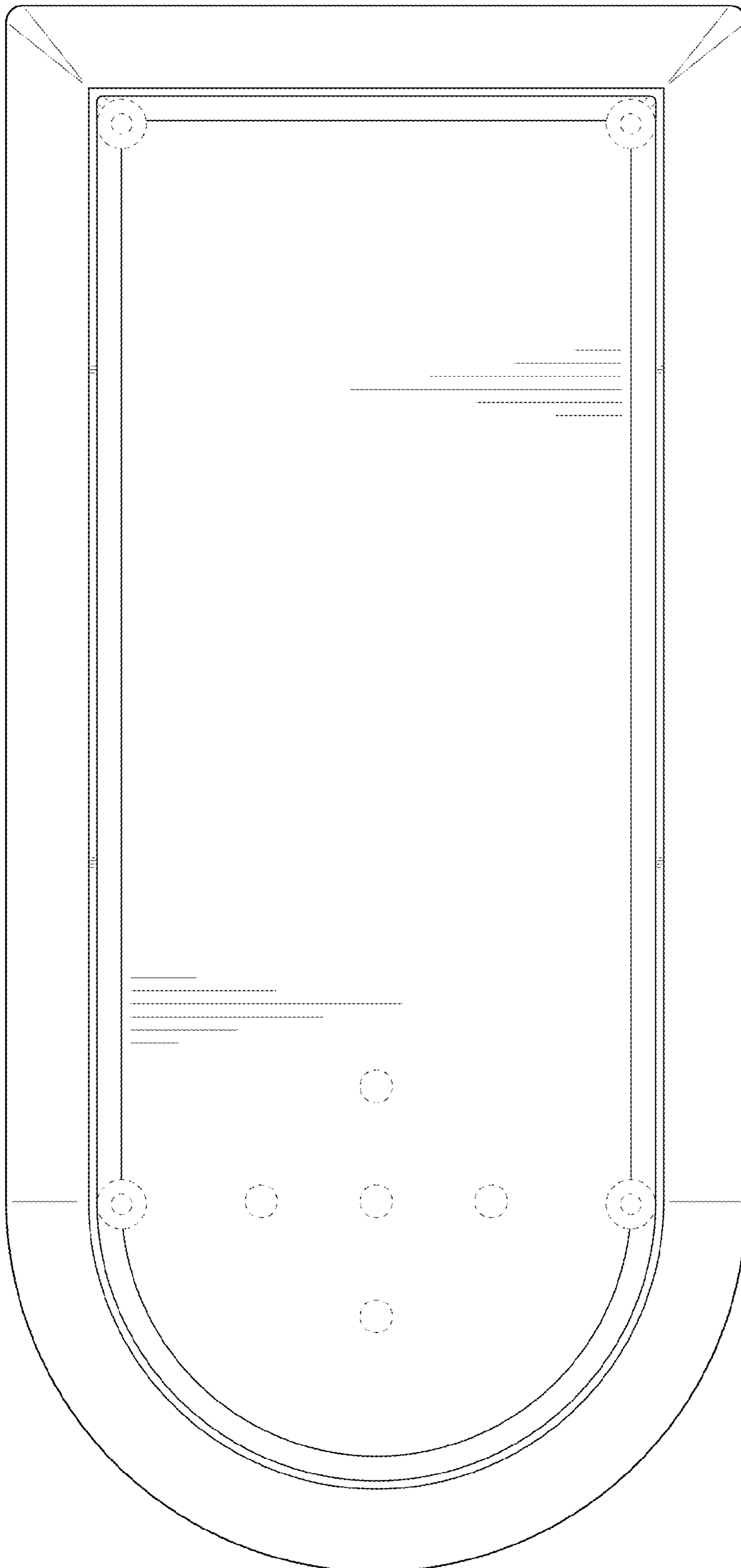


FIG. 16

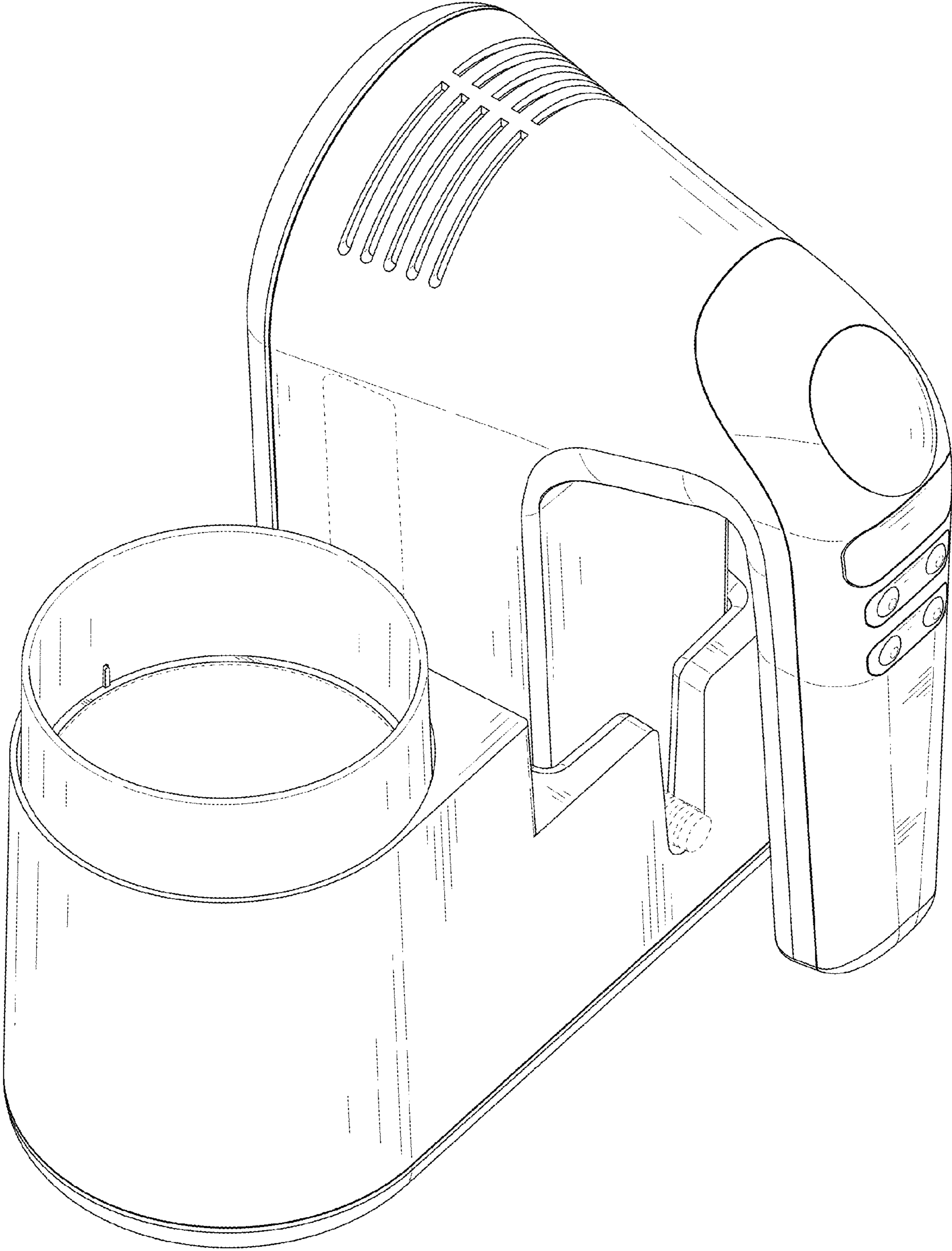


FIG. 17