



US00D980669S

(12) **United States Design Patent** (10) **Patent No.:** **US D980,669 S**
Shi (45) **Date of Patent:** **** Mar. 14, 2023**

(54) **JUICE DISPENSER** D640,093 S * 6/2011 Picozza A47J 43/046
D7/378
(71) Applicant: **SHENZHEN DENORGIN TECH. CO., LTD.**, Shenzhen (CN) 9,039,274 B1 * 5/2015 Corda A47J 43/046
366/199
10,383,482 B1 * 8/2019 Pamplin A47J 43/085
(72) Inventor: **Rongqiang Shi**, Shenzhen (CN) (Continued)

(73) Assignee: **SHENZHEN DENORGIN TECH. CO., LTD.**, Shenzhen (CN) FOREIGN PATENT DOCUMENTS
CN 303953787 * 11/2016
CN 304469273 * 1/2018
(Continued)

(**) Term: **15 Years**

(21) Appl. No.: **29/786,264**

(22) Filed: **May 31, 2021**

(30) **Foreign Application Priority Data**

Dec. 1, 2020 (EM) 008301063-0002

(51) **LOC (14) Cl.** **31-00**

(52) **U.S. Cl.**
USPC **D7/378**; D7/413; D7/415

(58) **Field of Classification Search**
USPC D3/202; D7/306, 372-374, 376-386,
D7/392.1, 393, 394, 396.2, 397, 413-415,
D7/507, 509-511, 665; D9/516, 531,
D9/532, 535, 536
CPC A23L 2/04; A23L 2/06; A23N 1/00; A47J
19/02; A47J 31/005; A47J 43/04; A47J
43/042; A47J 43/046; A47J 43/0716;
A47J 43/0722; B01F 2101/1805; B01F
27/00; B01F 27/808; B01F 33/5011

See application file for complete search history.

(56) **References Cited**

U.S. PATENT DOCUMENTS

3,537,691 A * 11/1970 Miwa A47J 43/046
D7/378
D391,802 S * 3/1998 Wong D7/378
D522,318 S * 6/2006 McGuyer A47J 43/085
D7/590

FOREIGN PATENT DOCUMENTS

CN 303953787 * 11/2016
CN 304469273 * 1/2018
(Continued)

OTHER PUBLICATIONS

Aikids-us, "Aikids Portable Blender," Apr. 29, 2021, Amazon.com, www.amazon.com/AIKIDS-Portable-Blender-Smoothies-Rechargeable/dp/B093SJPFG7?th=1 (Year: 2021).*

Primary Examiner — Joseph Kukella
Assistant Examiner — Arva P Adams

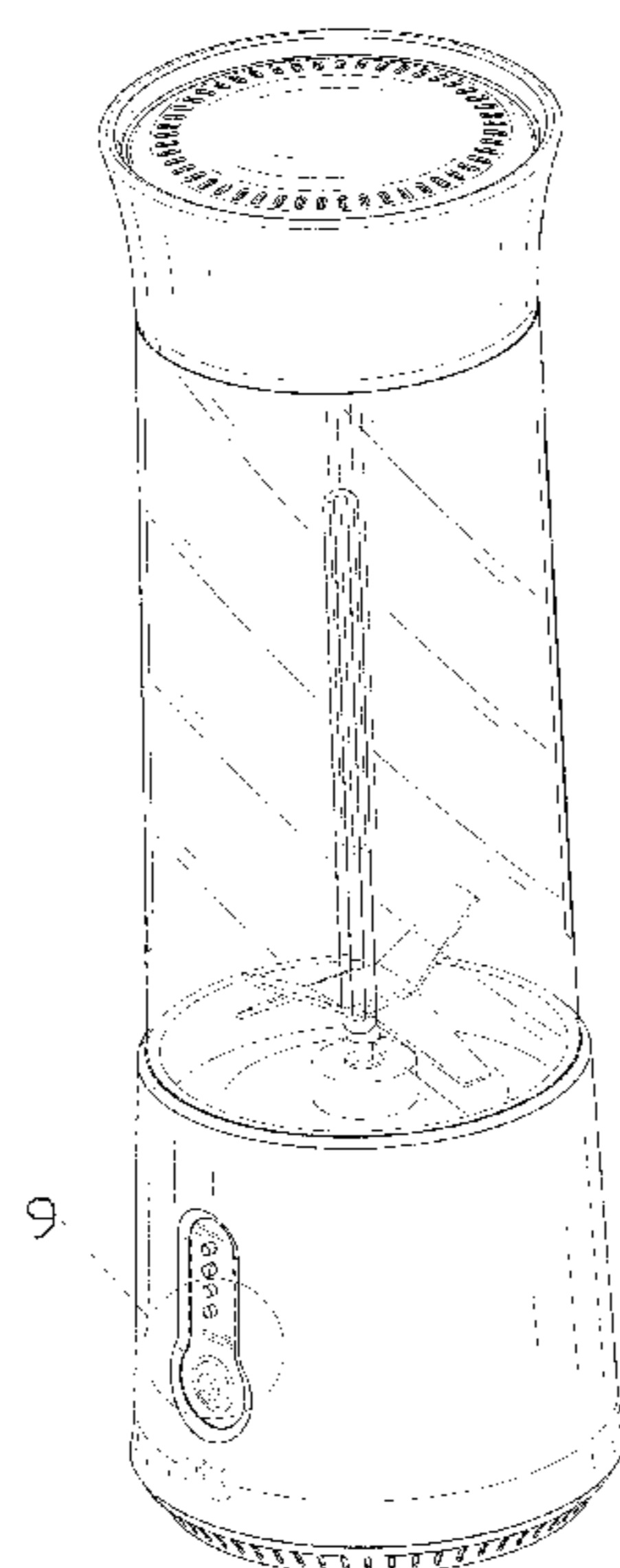
(57) **CLAIM**

The ornamental design for a juice dispenser, as shown and described.

DESCRIPTION

FIG. 1 is a perspective view of a juice dispenser showing my new design;
FIG. 2 is another perspective view thereof;
FIG. 3 is a front elevational view thereof;
FIG. 4 is a rear elevational view thereof;
FIG. 5 is a left side elevational view thereof;
FIG. 6 is a right side elevational view thereof;
FIG. 7 is a top plan view thereof;
FIG. 8 is a bottom plan view thereof;
FIG. 9 is an enlarged view of portion 9 shown in FIG. 1; and,
FIG. 10 is an enlarged view of portion 10 shown in FIG. 2.
The broken lines in the drawings depict portions of the juice dispenser that form no part of the claimed design.

1 Claim, 10 Drawing Sheets



(56)

References Cited

U.S. PATENT DOCUMENTS

D867,806 S * 11/2019 Bodum D7/378
D873,601 S * 1/2020 Sirju A47J 43/046
D905,496 S * 12/2020 Pamplin D7/378

FOREIGN PATENT DOCUMENTS

CN 305436684 * 11/2019
KR 300998862.0000 * 3/2019

* cited by examiner

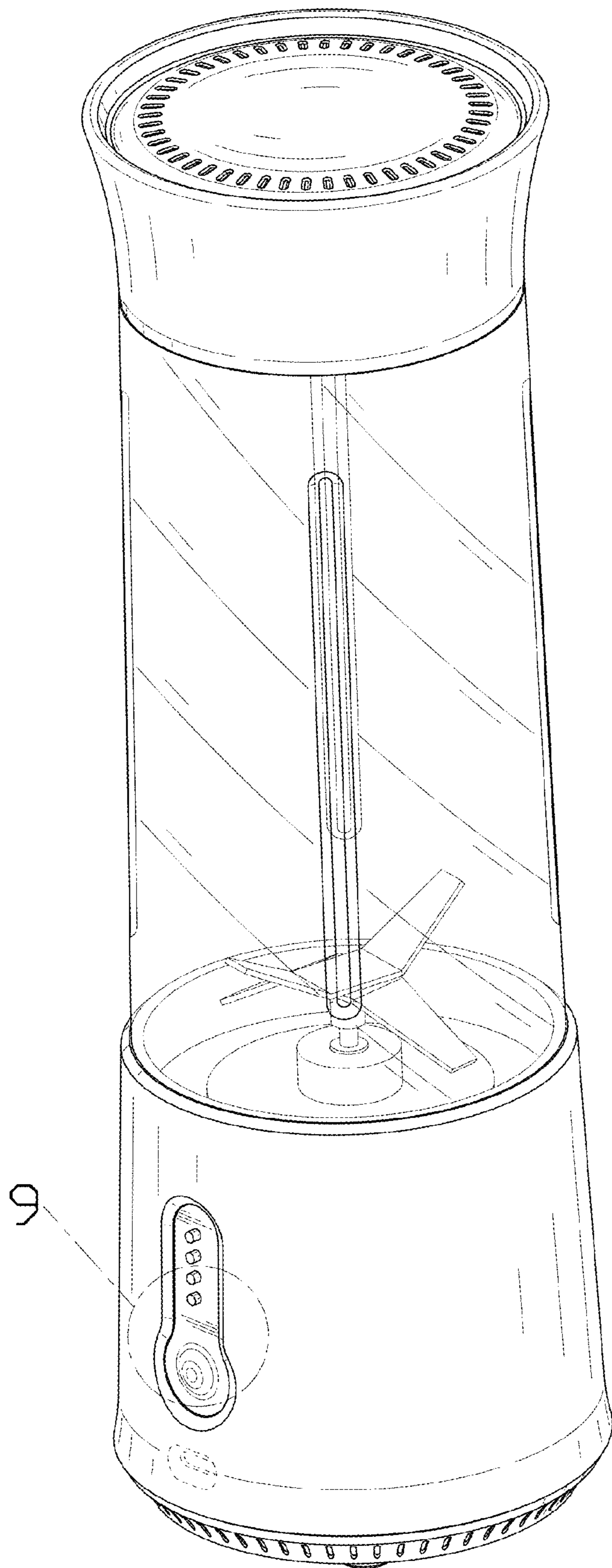


FIG. 1

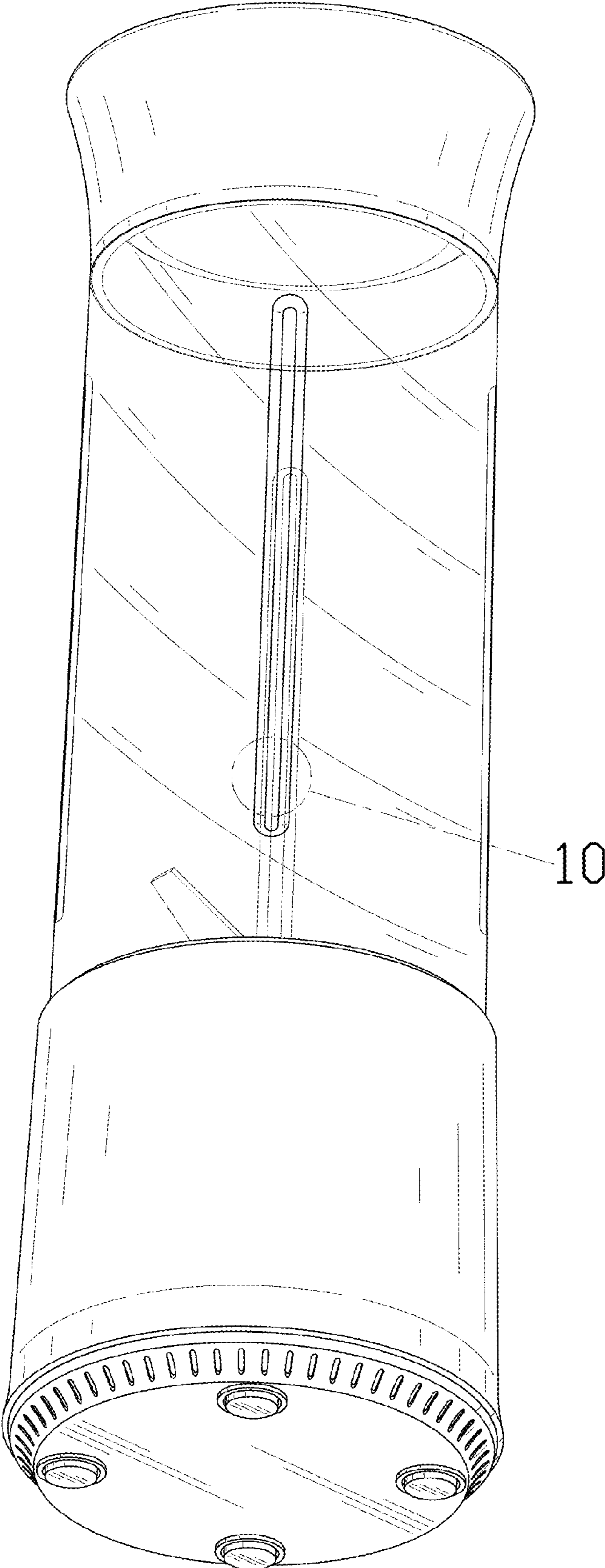


FIG. 2

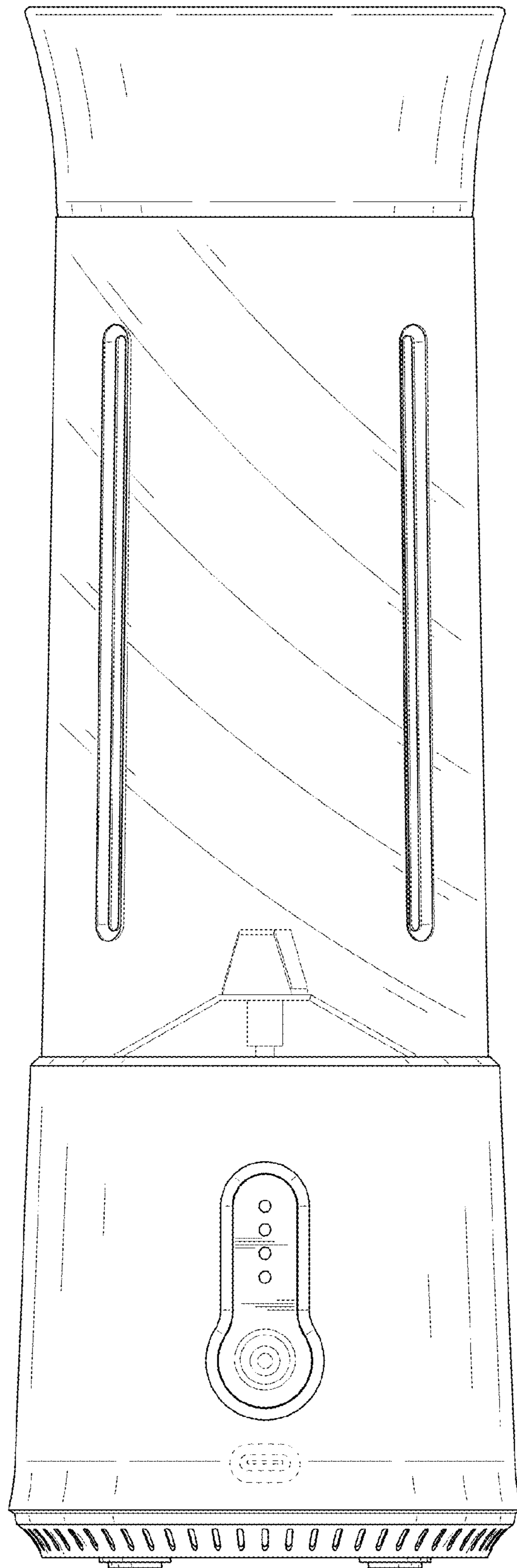


FIG. 3

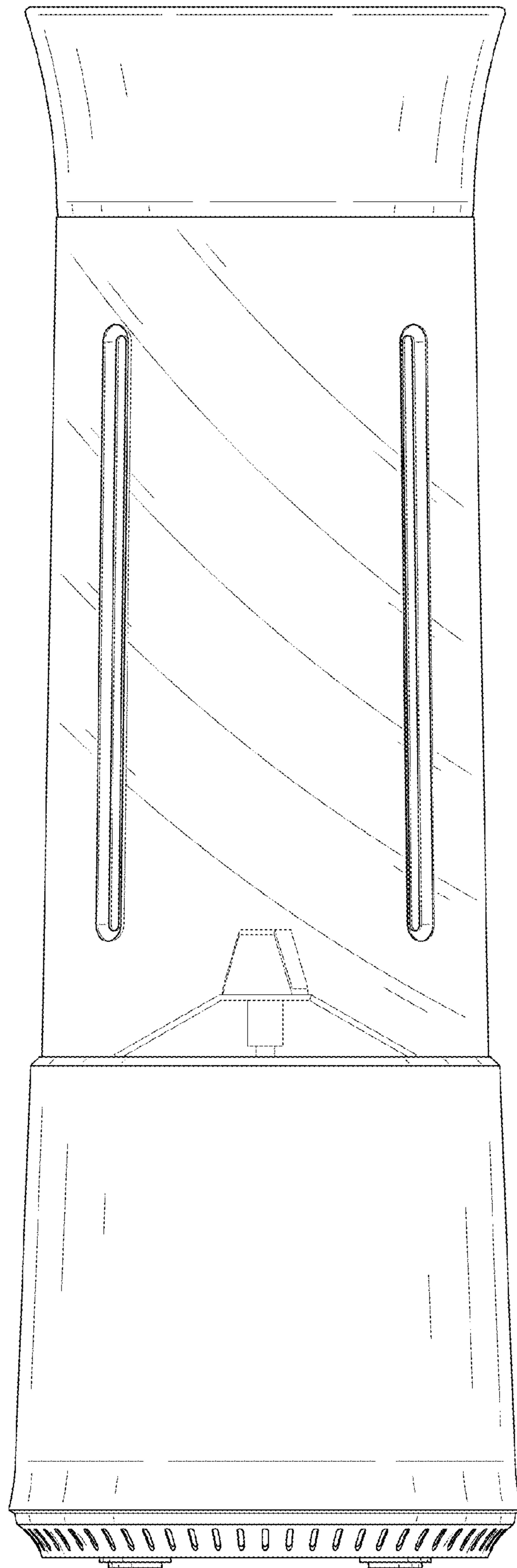


FIG. 4

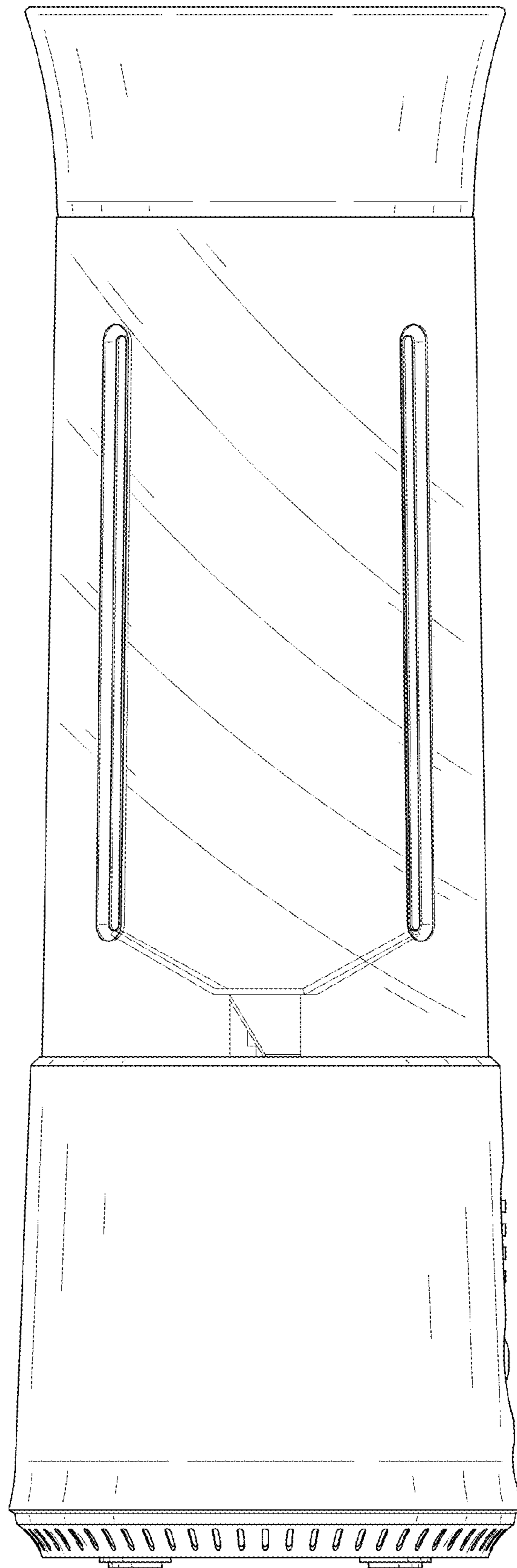


FIG. 5

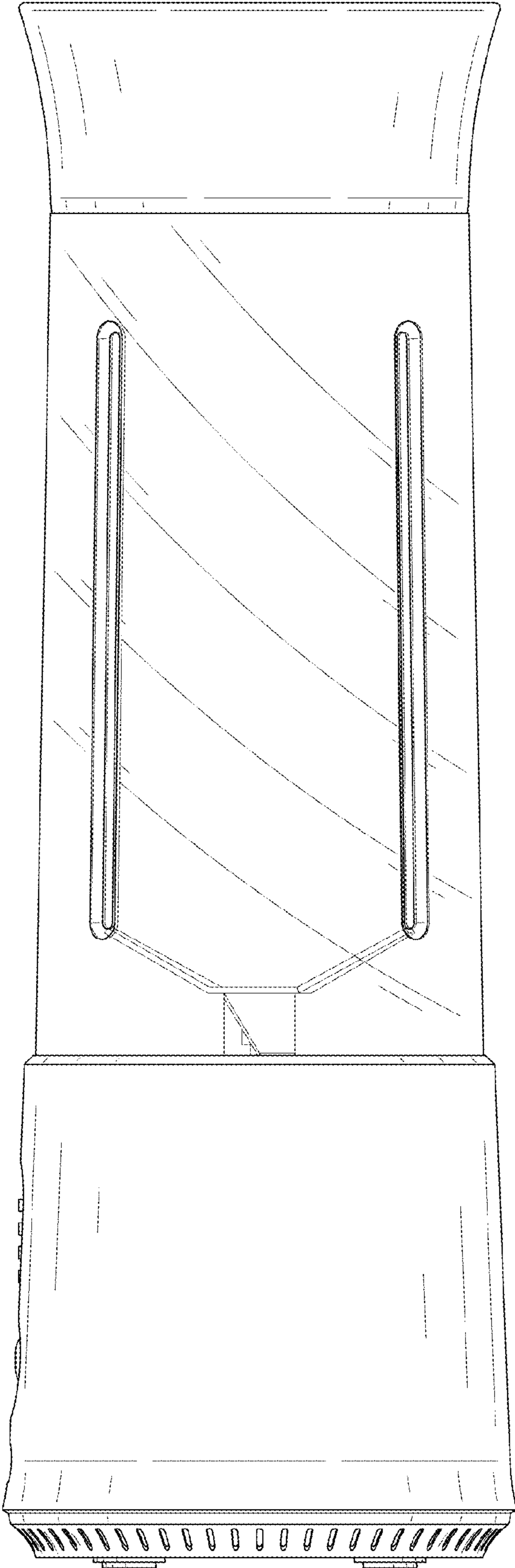


FIG. 6

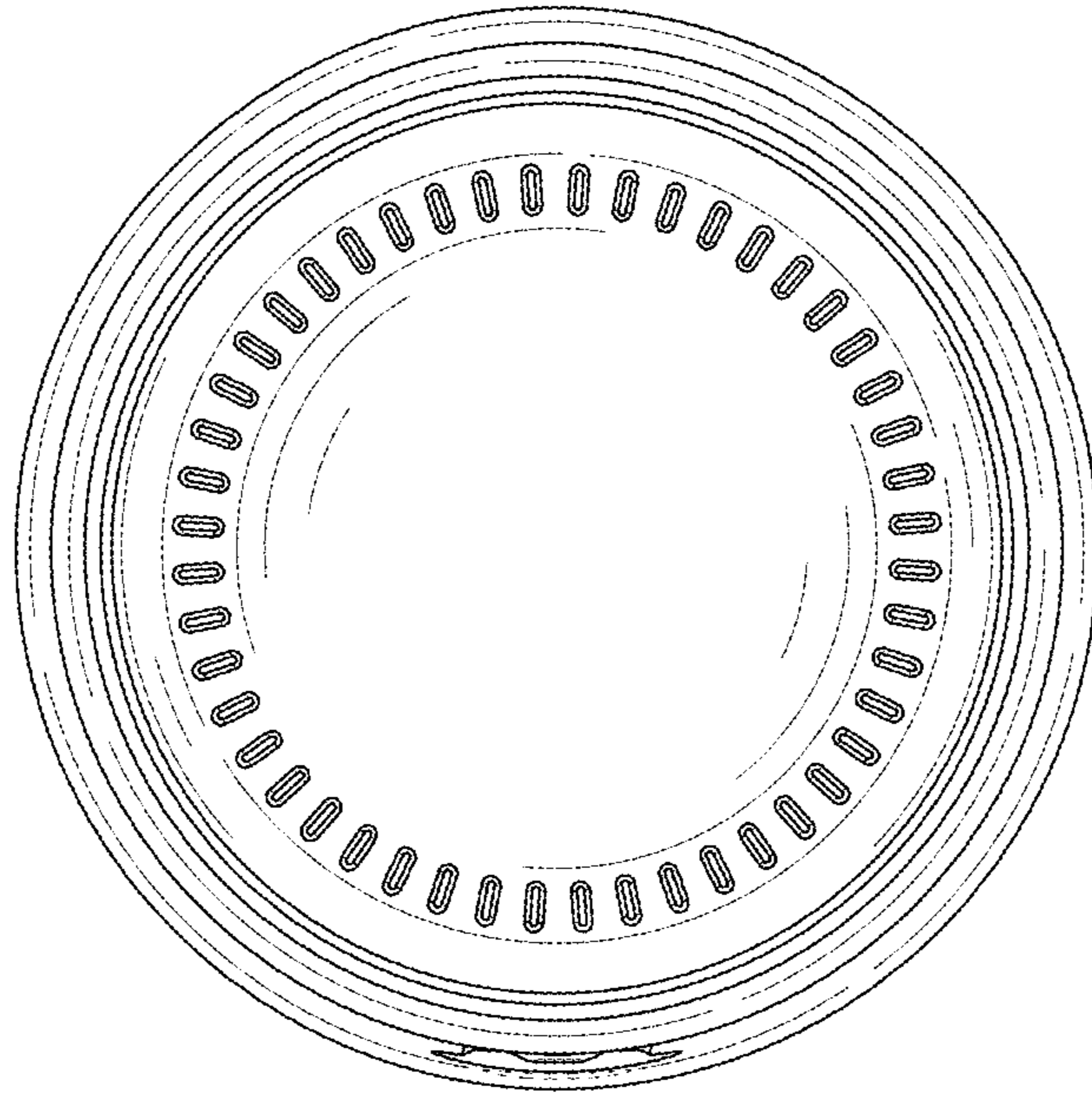


FIG. 7

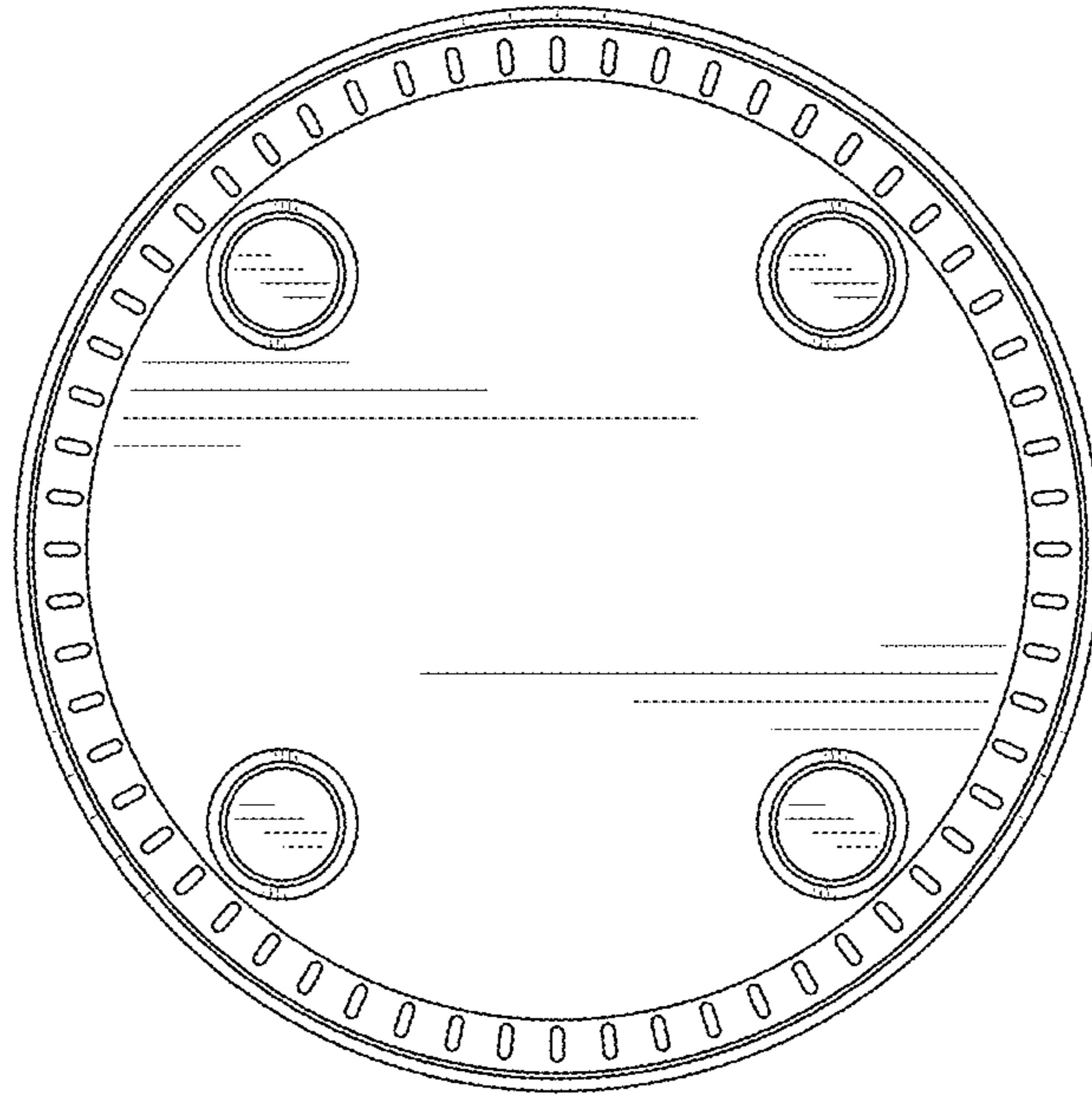


FIG. 8

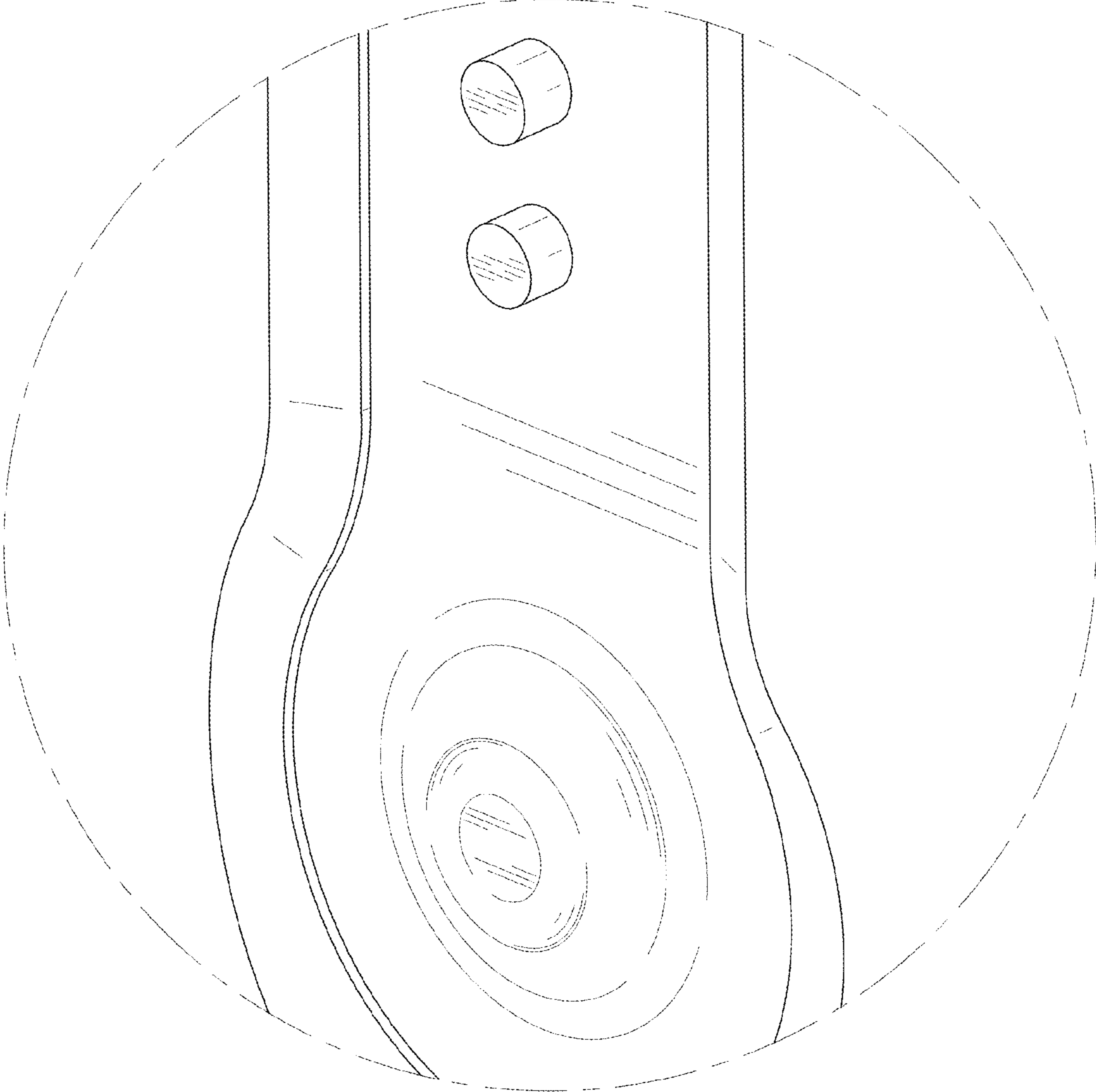


FIG. 9

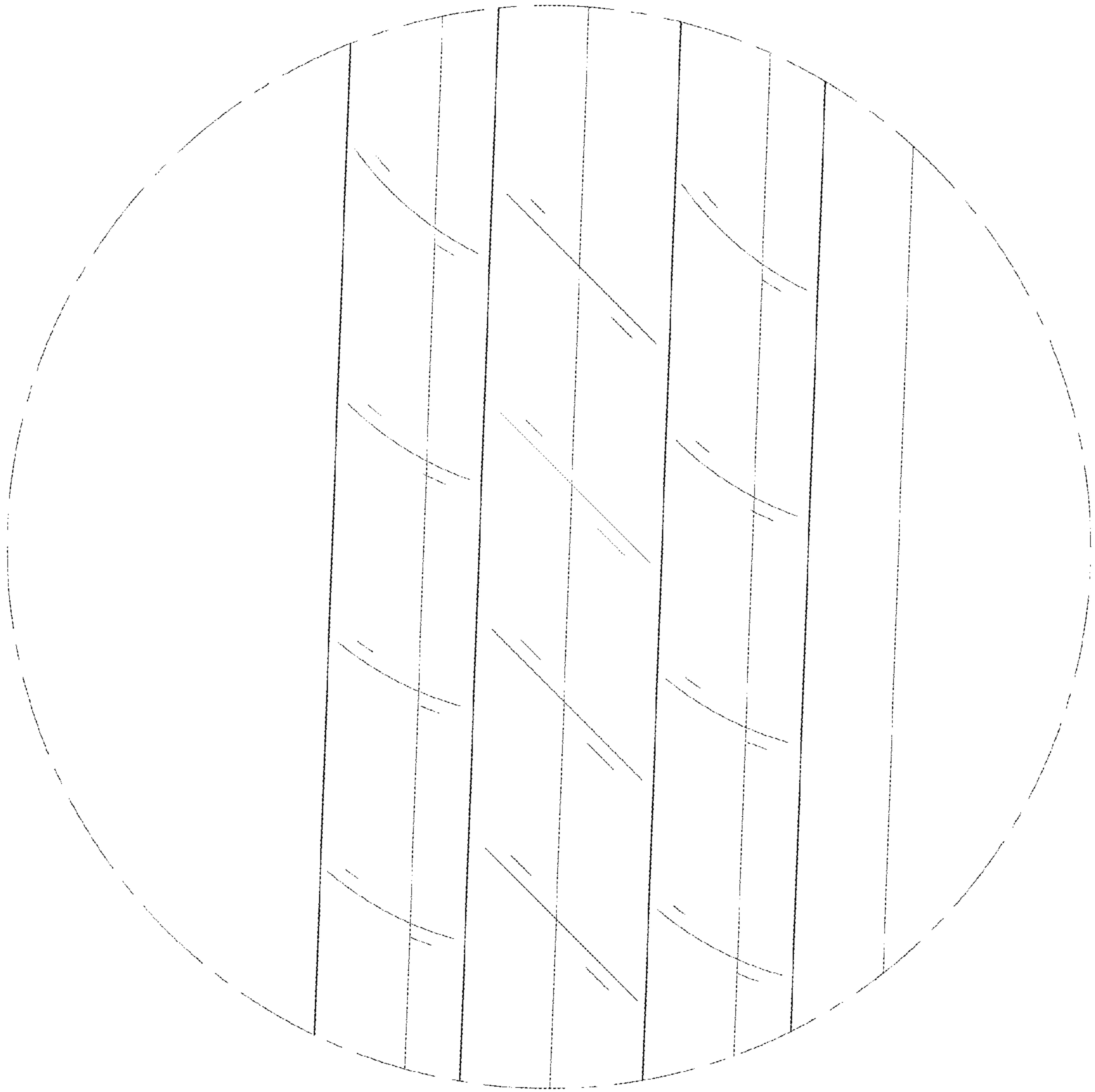


FIG. 10