



US00D980668S

(12) **United States Design Patent**  
**Wang**

(10) **Patent No.:** **US D980,668 S**  
(45) **Date of Patent:** **\*\* Mar. 14, 2023**

- (54) **KIMCHI SEPARATOR**
- (71) Applicant: **Hongyan Wang**, Yuanjiang (CN)
- (72) Inventor: **Hongyan Wang**, Yuanjiang (CN)
- (\*\*) Term: **15 Years**
- (21) Appl. No.: **29/866,302**
- (22) Filed: **Sep. 7, 2022**
- (51) **LOC (14) Cl.** ..... **31-00**
- (52) **U.S. Cl.**  
USPC ..... **D7/369**; D7/368
- (58) **Field of Classification Search**  
USPC ..... D7/354, 372, 376–386, 396.1, 412–413,  
D7/526, 538, 542, 562, 565, 566, 584,  
D7/588, 589, 602, 629, 665–666, 669,  
D7/679, 693–694; D23/209  
CPC .... A21C 1/02; A21C 1/04; A23N 1/00; A23N  
1/02; A47J 43/04; A47J 43/22; A47J  
43/25; A47J 43/27; A47J 43/042; A47J  
43/044; A47J 43/046; A47J 43/06; A47J  
43/075; A47J 43/0705; A47J 43/0711;  
A47J 43/0722; A47J 43/0727; A47J  
43/1093; A47J 43/255; A47J 42/04; A47J  
42/08; B01F 3/00; B01F 3/0807; B01F  
3/0853; B01F 13/0059; B01F 13/0064;  
B02C 1/08; B02C 2/04; B02C 4/42;  
B02C 4/142; B02C 4/143; B02C 4/423;  
B02C 13/1835; B28C 5/10; B28C 5/12;  
B28C 5/14; B28C 5/16; B01D 27/06;  
B01D 36/003; B65D 25/04  
See application file for complete search history.

- (56) **References Cited**  
U.S. PATENT DOCUMENTS  
D249,275 S \* 9/1978 Mackay ..... D23/209  
4,307,808 A \* 12/1981 Johnson ..... A47J 43/22  
209/675  
4,960,246 A \* 10/1990 Fohrman ..... A47J 42/04  
241/169.1  
D361,478 S \* 8/1995 Kinsman ..... D7/679

- D473,756 S 4/2003 Cautereels
- D477,515 S 7/2003 Winivis
- D530,993 S \* 10/2006 Kolflat ..... D7/679
- D637,215 S 5/2011 Krohmer
- 7,967,229 B2 \* 6/2011 Wilson ..... A47J 42/08  
241/169.1
- D652,683 S 1/2012 Munoz
- D687,265 S 8/2013 Cloutier
- 9,943,104 B1 \* 4/2018 Simon ..... B65D 25/04
- D817,104 S \* 5/2018 Ignatoff ..... D7/629
- D852,592 S 7/2019 Davies
- D905,495 S \* 12/2020 Sapire ..... D7/378
- D940,498 S \* 1/2022 Sapire ..... D7/378

(Continued)

**OTHER PUBLICATIONS**

Pickle and Kimchi Jar for Airtight Food Storage. Date First Available on Amazon.com Jun. 24, 2022. <https://www.amazon.com/Pickle-Olive-Hourglass-Jar-Separator/dp/B0B512LMLT/ref> (Year: 2022).\*

(Continued)

*Primary Examiner* — Ricky Pham  
(74) *Attorney, Agent, or Firm* — Vladimir Postnikov

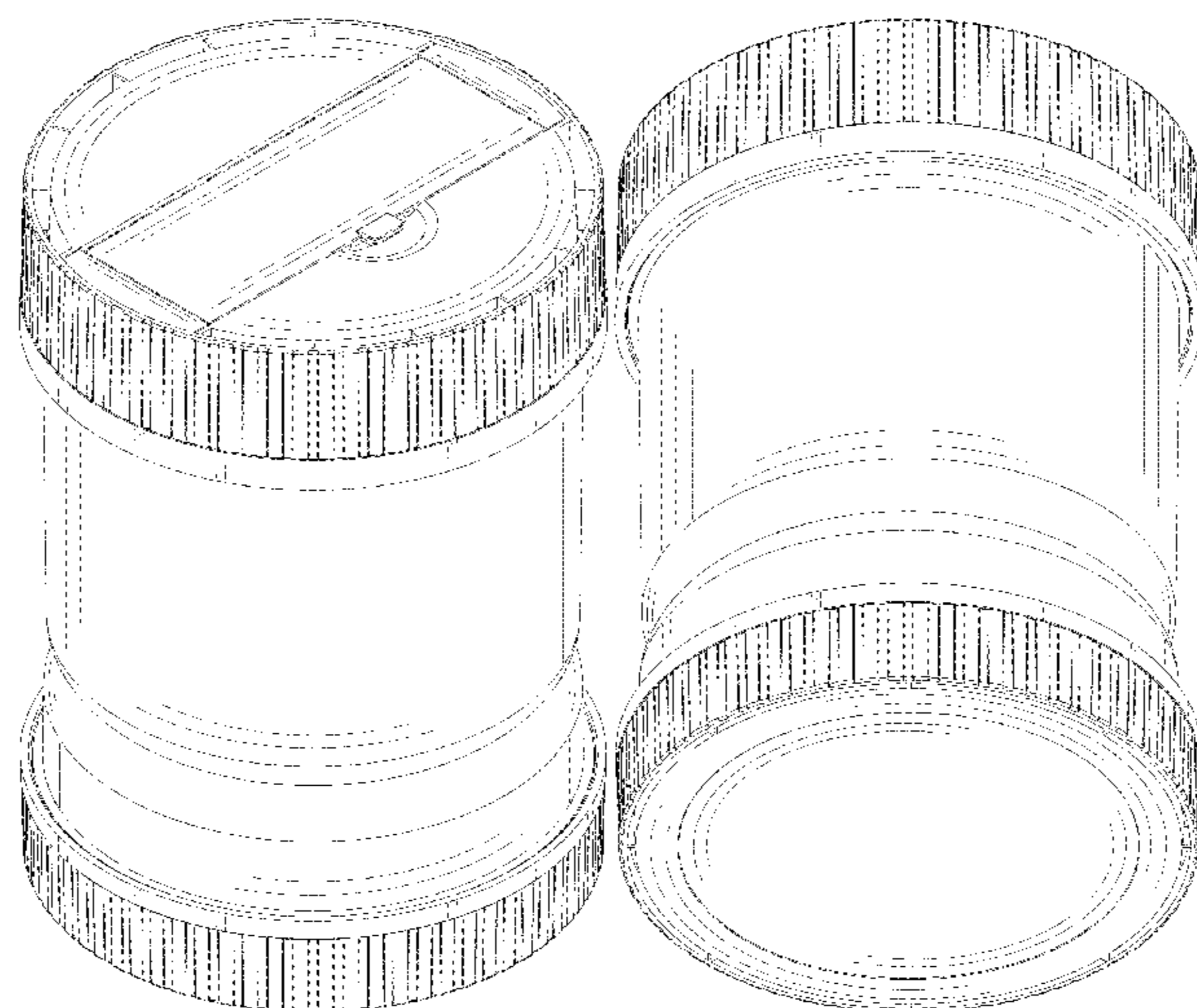
(57) **CLAIM**

The ornamental design for a kimchi separator, as shown and described.

**DESCRIPTION**

FIG. 1 is a front elevation view of a kimchi separator showing the new design; FIG. 2 is a back elevation view thereof; FIG. 3 is a left-side view thereof; FIG. 4 is a right-side view thereof; FIG. 5 is a top plan view thereof; FIG. 6 is a bottom plan view thereof; FIG. 7 is a top perspective view thereof; and, FIG. 8 is a bottom perspective view thereof.

**1 Claim, 8 Drawing Sheets**



(56)

**References Cited**

U.S. PATENT DOCUMENTS

D957,870 S \* 7/2022 Song ..... D7/378  
D958,931 S 7/2022 Li  
D958,932 S 7/2022 Li  
2008/0197064 A1\* 8/2008 Blasco Remacha . B01D 36/003  
210/184  
2016/0074785 A1\* 3/2016 Smith ..... B01D 27/06  
210/95

OTHER PUBLICATIONS

<https://www.amazon.com/Hourglass-Separator-Strainer-Container-Separation/dp/B09XPXGM5P>, printed on Sep. 7, 2022 from Amazon.com.

<https://www.amazon.com/WhiteRhino-Hourglass-Container-Refrigerator-Dishwasher/dp/B09XV6YCN2>, printed on Sep. 7, 2022 from Amazon.com.

<https://www.amazon.com/Sophico-Container-Strainer-Leak-proof-Separator/dp/B09FPDBPLD>, printed on Sep. 7, 2022 from Amazon.com.

<https://www.amazon.com/UIYIHIF-Container-Leak-proof-Separator-Sauerkraut/dp/B0B5DP8VDC>, printed on Sep. 7, 2022 from Amazon.com.

\* cited by examiner

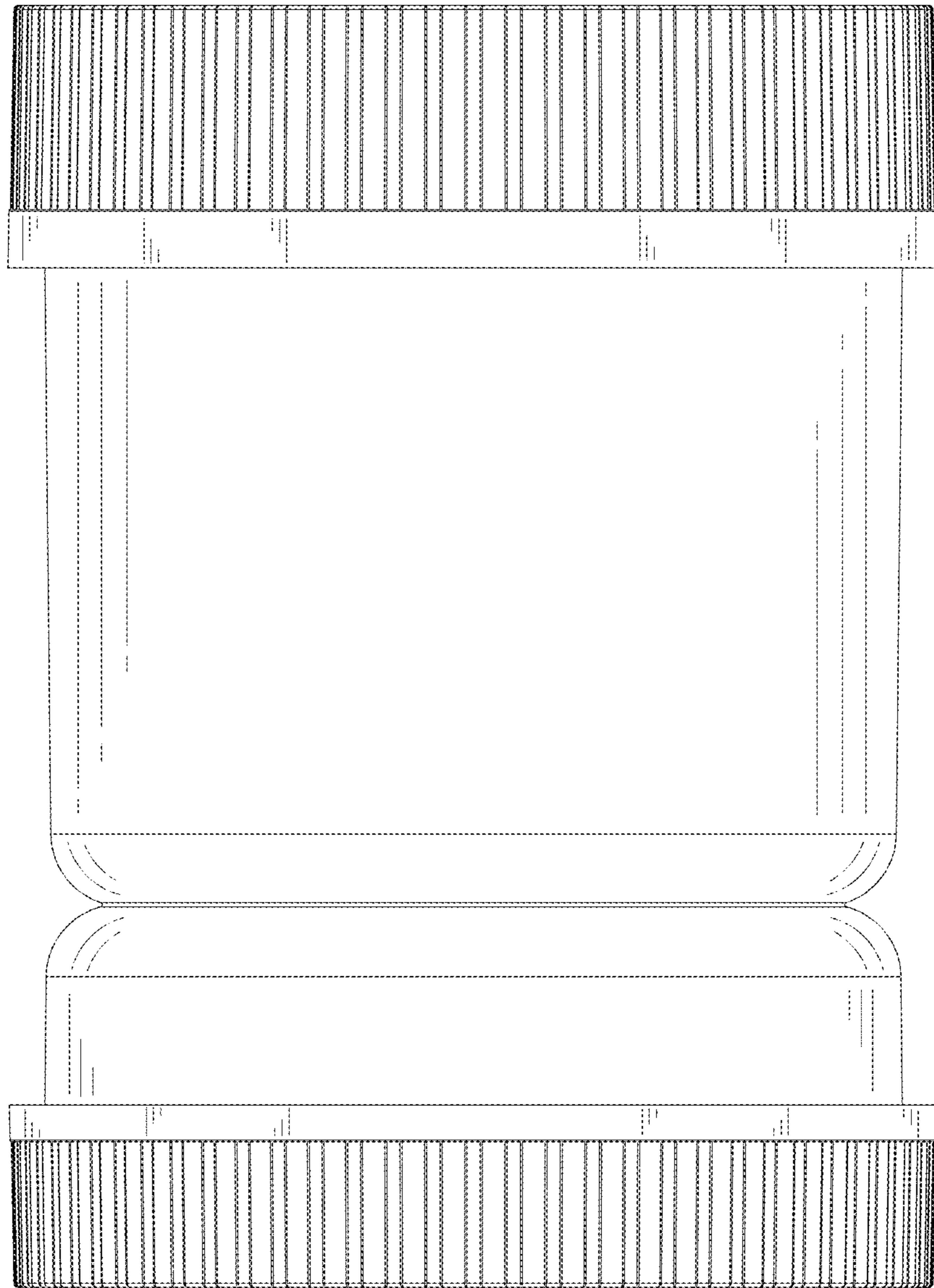


FIG. 1

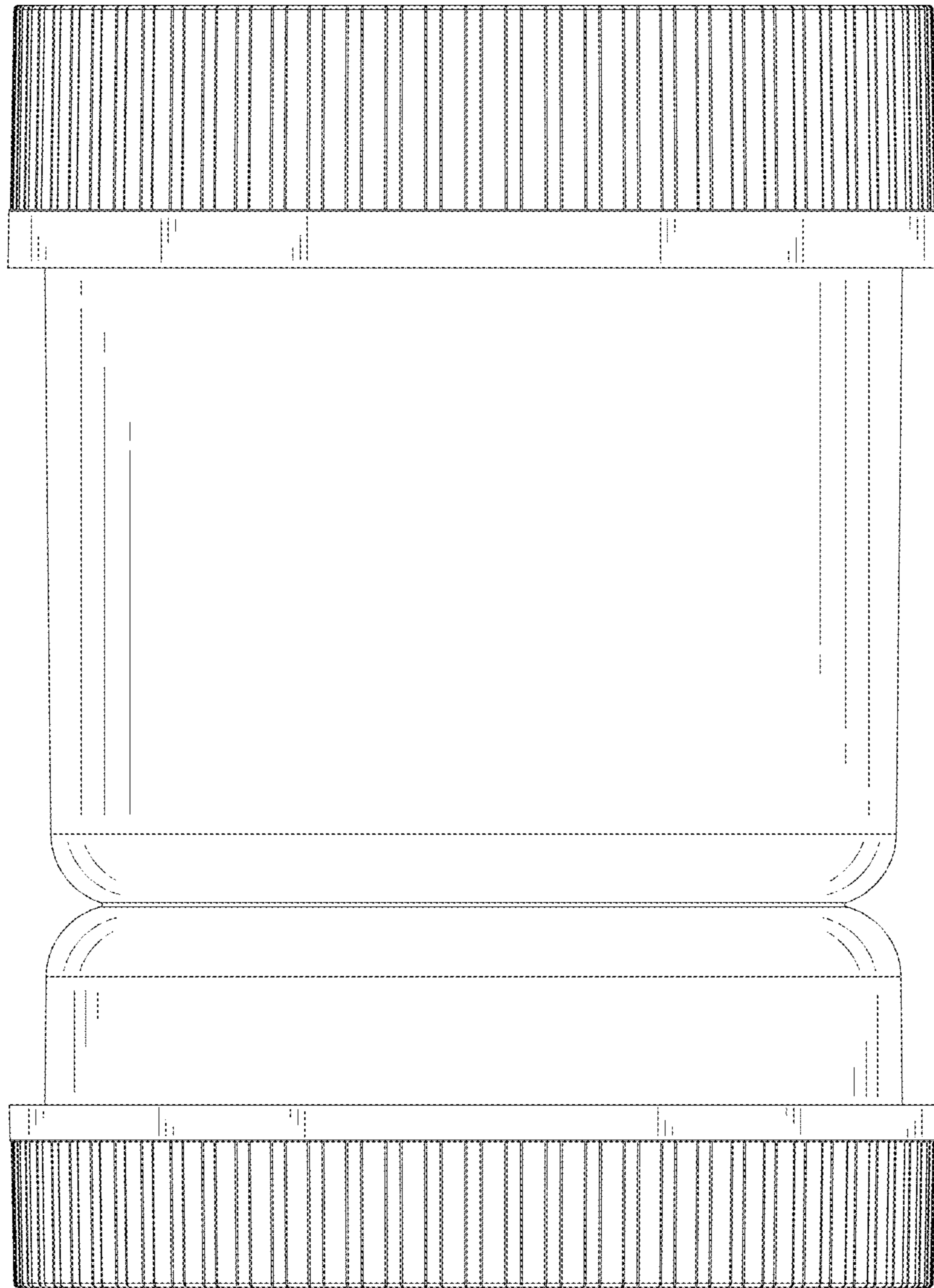


FIG. 2

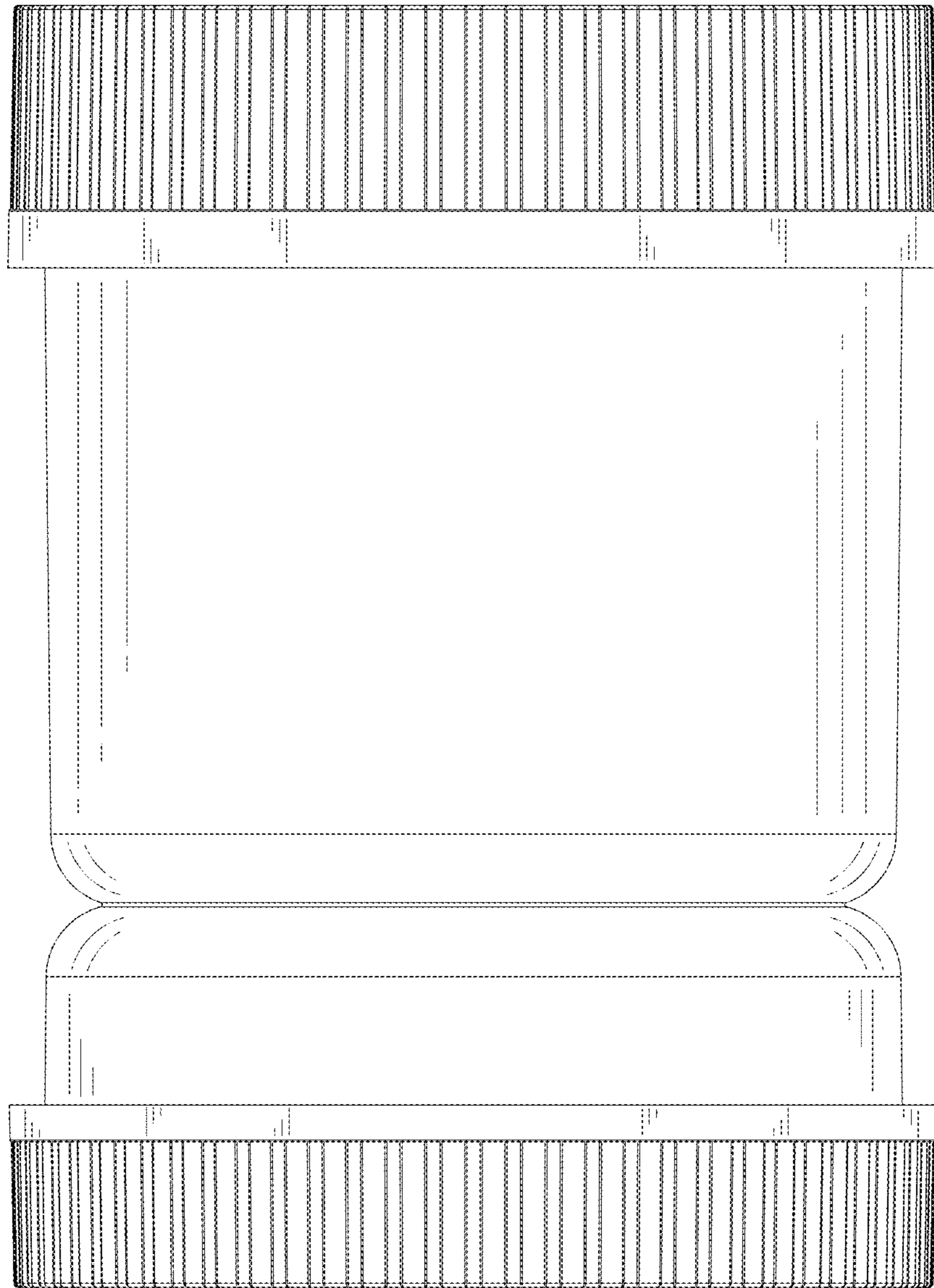


FIG. 3

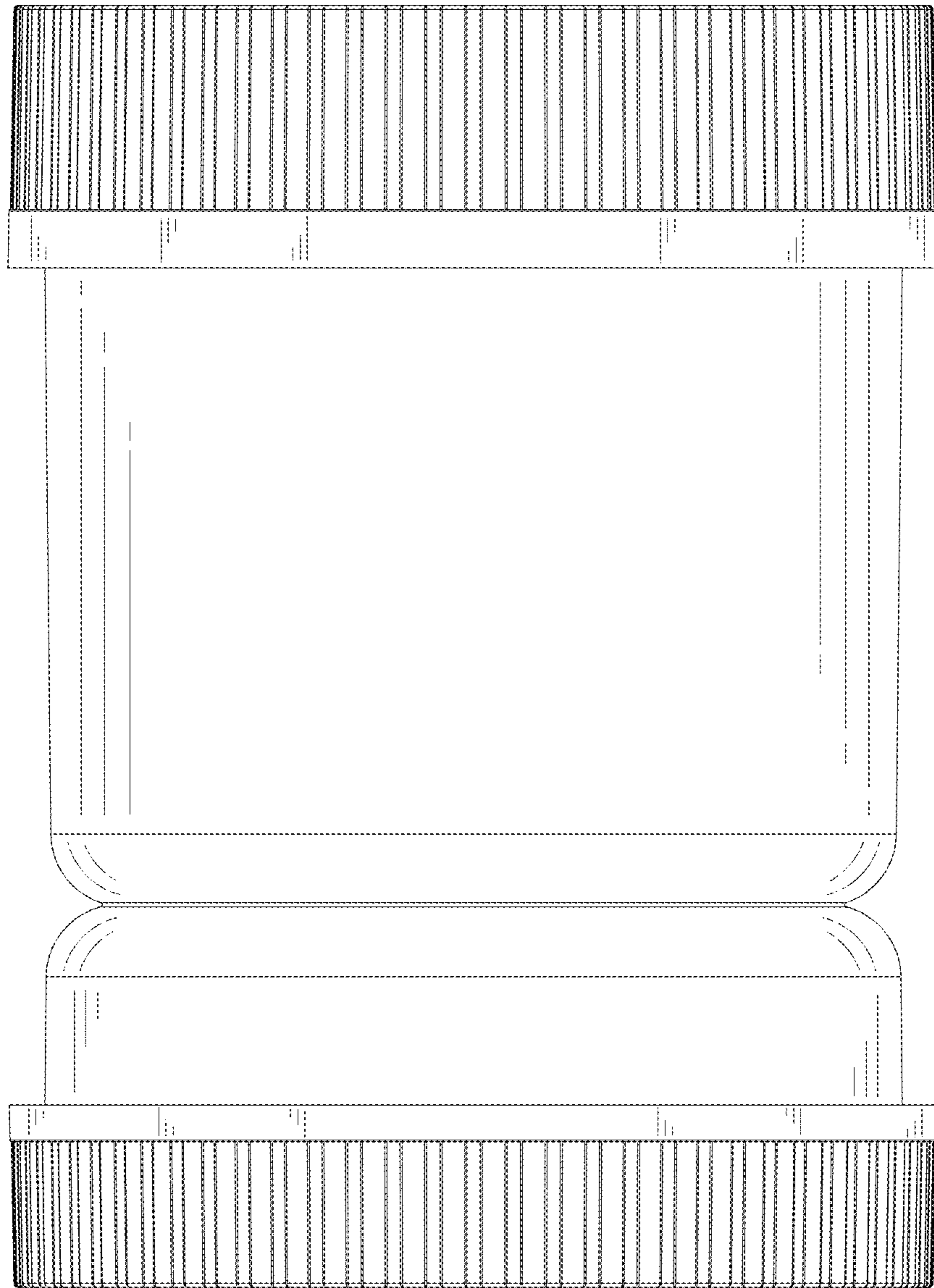


FIG. 4

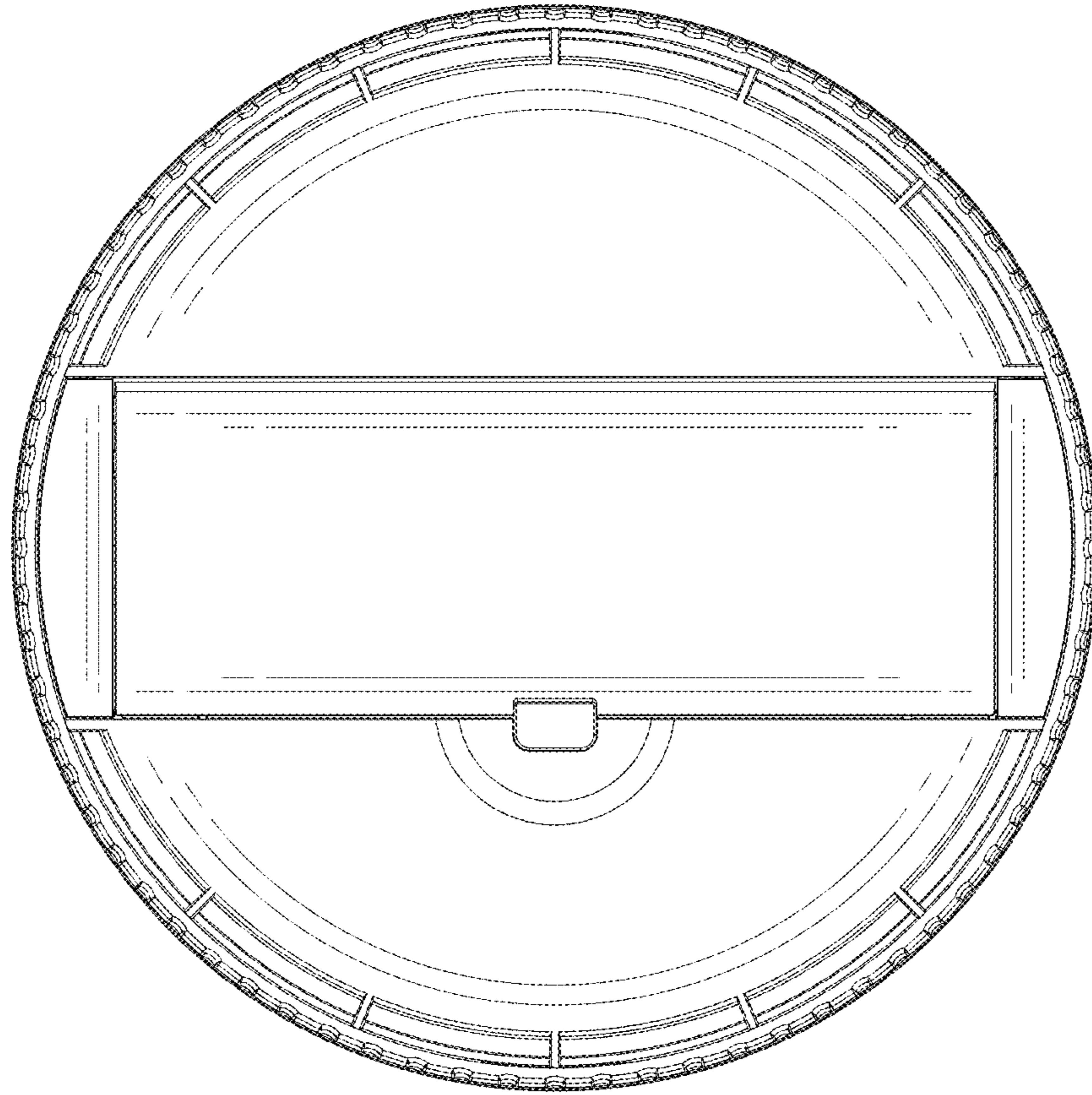


FIG. 5

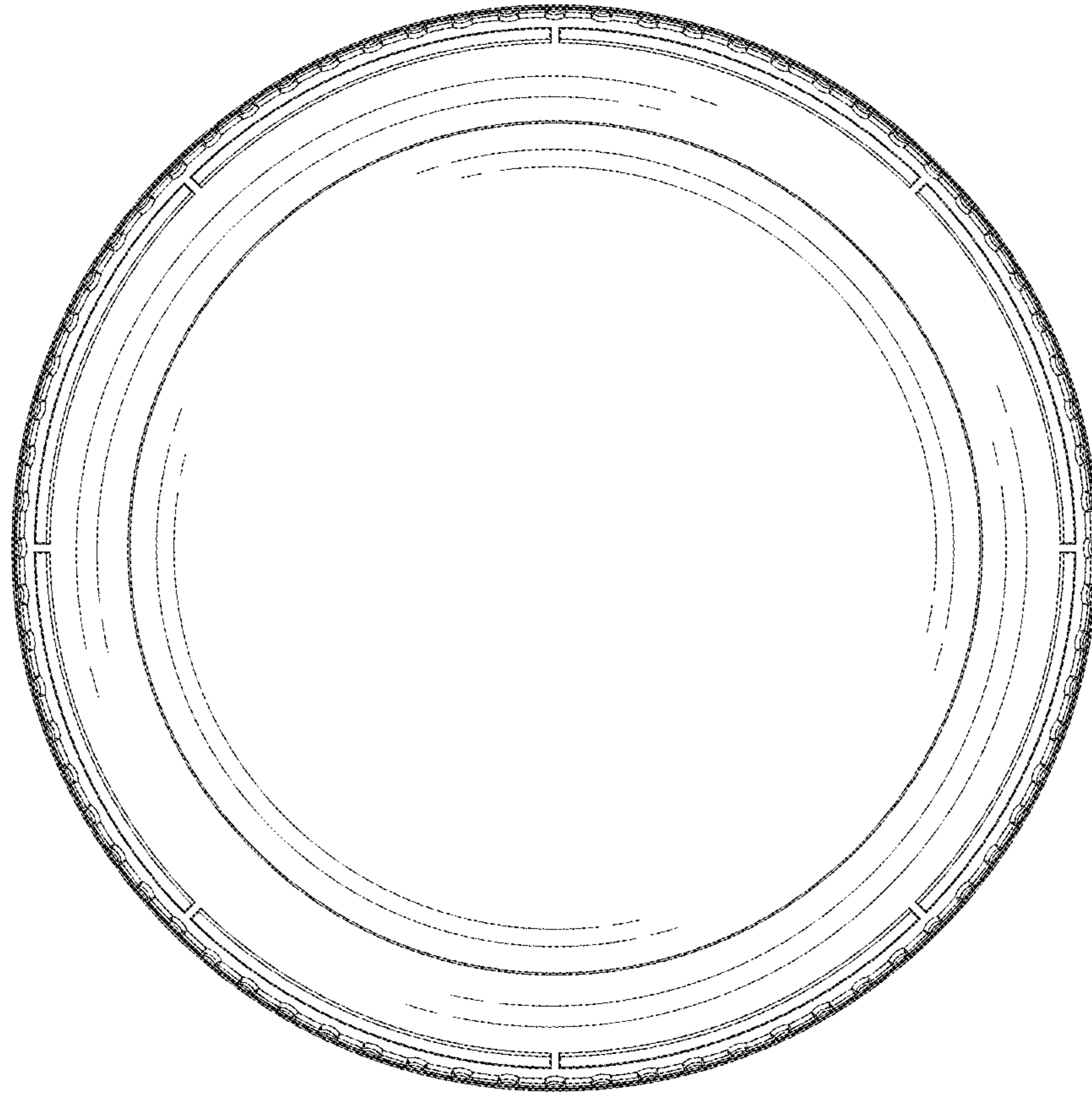


FIG. 6



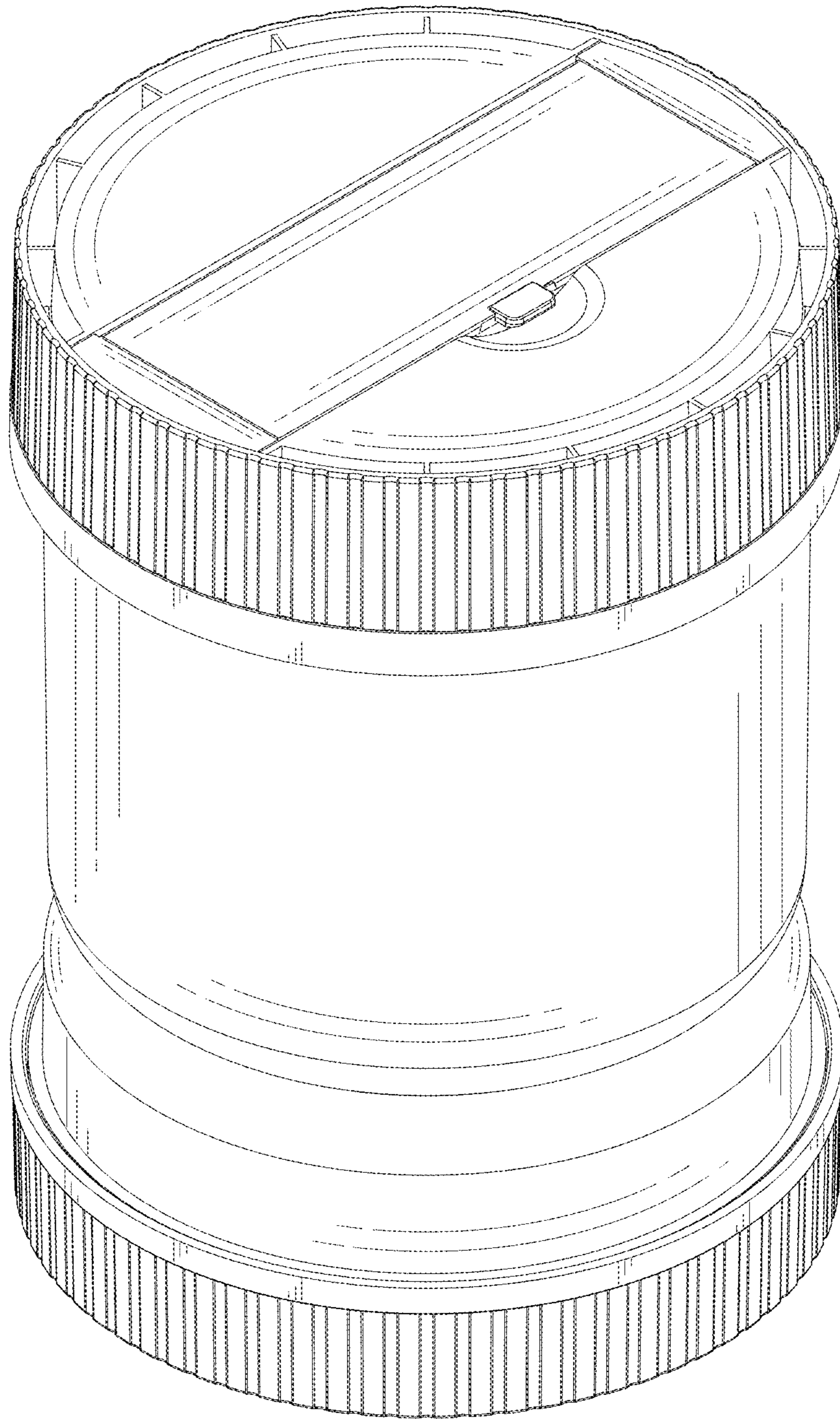


FIG. 7

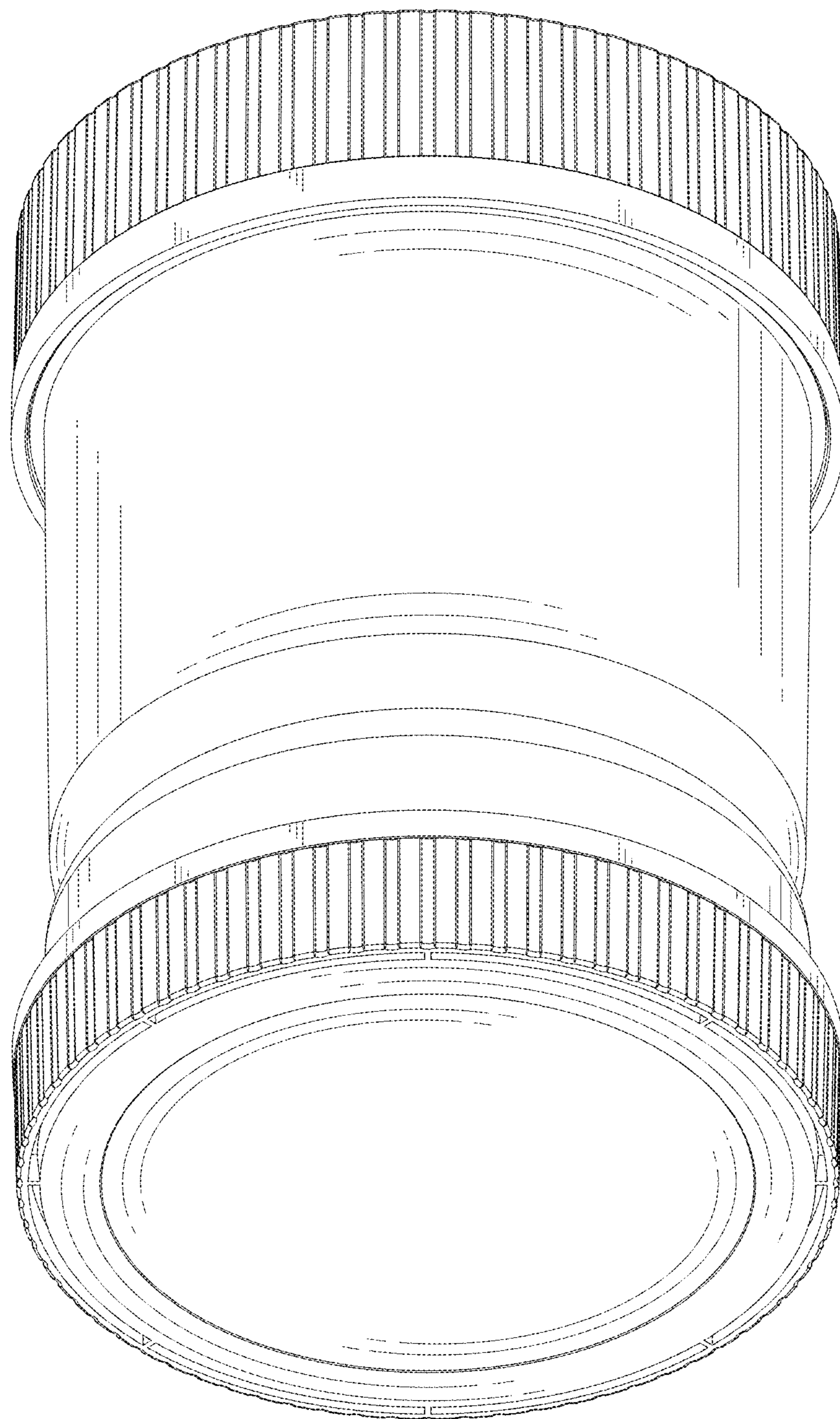


FIG. 8