



US00D980665S

(12) **United States Design Patent**
Wang

(10) **Patent No.:** **US D980,665 S**
(45) **Date of Patent:** **** Mar. 14, 2023**

- (54) **ELECTRIC OVEN**
- (71) Applicant: **Jiayin Wang**, Zhongshan (CN)
- (72) Inventor: **Jiayin Wang**, Zhongshan (CN)
- (**) Term: **15 Years**
- (21) Appl. No.: **29/781,480**
- (22) Filed: **Apr. 30, 2021**
- (51) **LOC (14) Cl.** **07-02**
- (52) **U.S. Cl.**
USPC **D7/357**; D7/362
- (58) **Field of Classification Search**
USPC D7/323, 332, 335-337, 354-367,
D7/387-388, 402, 407-409
CPC A21B 2/00; A21B 3/00; A21B 3/13; A21B
3/15; A21B 5/00; A21B 5/02; A23N
12/06; A23N 12/08; A23N 12/10; A47J
37/00; A47J 37/04; A47J 37/041; A47J
37/042; A47J 37/06; A47J 37/0605; A47J
37/0688; A47J 37/0694; A47J 37/07;
A47J 37/0704; A47J 37/10; A47J 47/20;
A47J 2037/00; A47J 2037/06; A47J
2037/0611; A47J 2037/07; A47J
2037/0786; A47J 2037/0795; F24C 15/10;
F24C 15/12; F24C 15/14; F24C 15/16;
F24C 15/18; F24C 15/164
See application file for complete search history.

(56) **References Cited**
U.S. PATENT DOCUMENTS

D260,721 S *	9/1981	Terzian	D7/357
5,431,091 A *	7/1995	Couture	A47J 37/0605 99/425
D369,271 S *	4/1996	Doumeng	D7/361
D409,042 S *	5/1999	Cossy	D7/352
D432,350 S *	10/2000	Blaise	D7/362
D442,822 S *	5/2001	Lin	D7/337
D458,078 S *	6/2002	Lin	D7/362

D593,791 S *	6/2009	Joensson	D7/367
D644,059 S *	8/2011	Bodum	D7/363
D730,108 S *	5/2015	Louloudakis	D7/367
D730,109 S *	5/2015	Louloudakis	D7/367
D758,785 S *	6/2016	Verbrugge	D7/352
D802,991 S *	11/2017	Dutruel	D7/363

OTHER PUBLICATIONS

Fajiabao Electric Raclette Table Grill Indoor Smokeless. Date First Available on Amazon.com May 17, 2021. <https://www.amazon.com/dp/B092CX1W92/ref> (Year: 2021).*

Tonze Indoor Grill Smokeless Korean BBQ Grill. Date First Available on Amazon.com May 23, 2021. <https://www.amazon.com/Smokeless-Appliances-Christmas-Removable-Temperature/dp/B08XX2XLNC/ref> (Year: 2021).*

* cited by examiner

Primary Examiner — Ricky Pham
(74) *Attorney, Agent, or Firm* — Che-Yang Chen; Law Office of Michael Chen

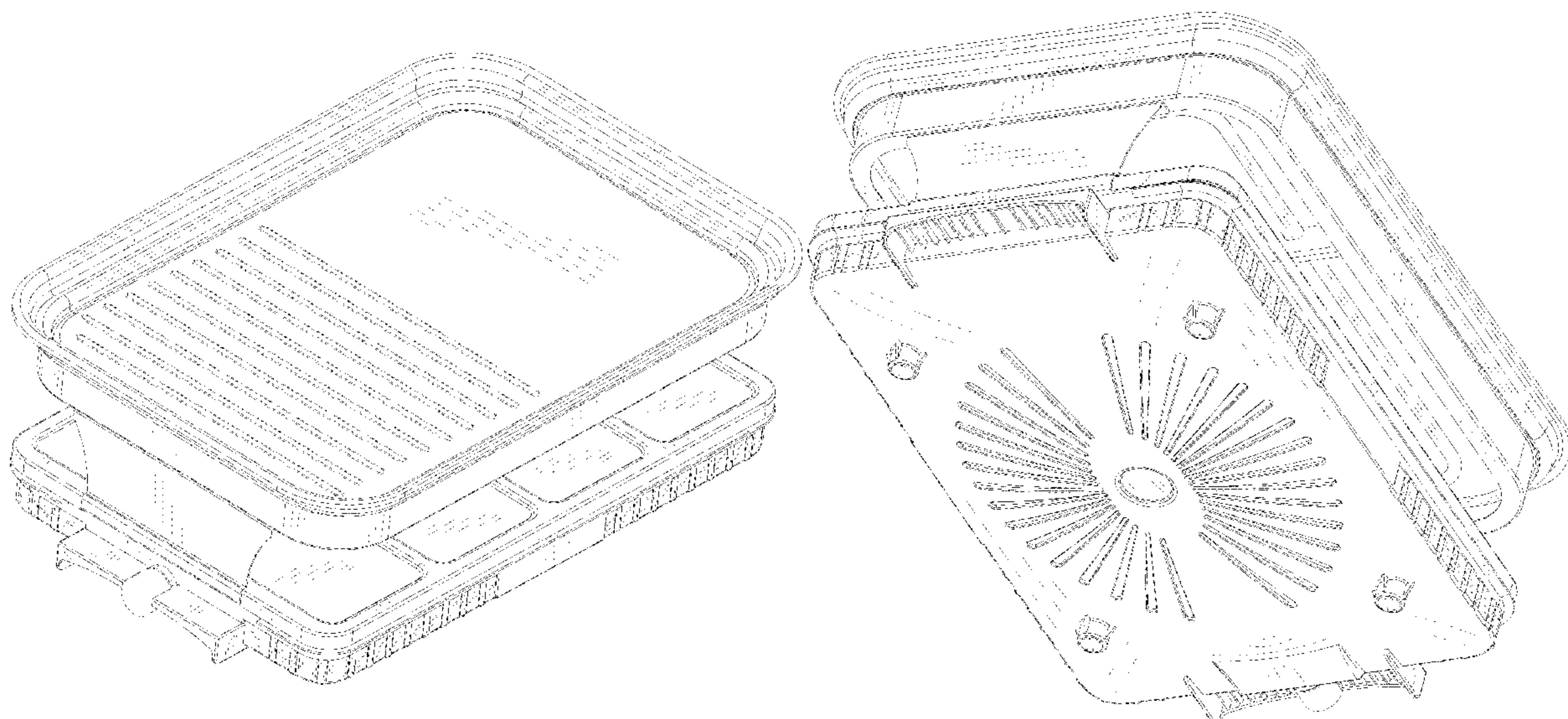
(57) **CLAIM**

The ornamental design for an electric oven, as shown and described.

DESCRIPTION

FIG. 1 is a perspective view of the electric oven showing my new design;
FIG. 2 is a perspective view from another angle thereof;
FIG. 3 is a front elevational view thereof;
FIG. 4 is a rear elevational view thereof;
FIG. 5 is a left side elevational view thereof;
FIG. 6 is a right side elevational view thereof;
FIG. 7 is a top plan view thereof; and,
FIG. 8 is a bottom plan view thereof.
The broken lines shown in the drawings are for illustrative purposes only and form no part of the claimed design.

1 Claim, 8 Drawing Sheets



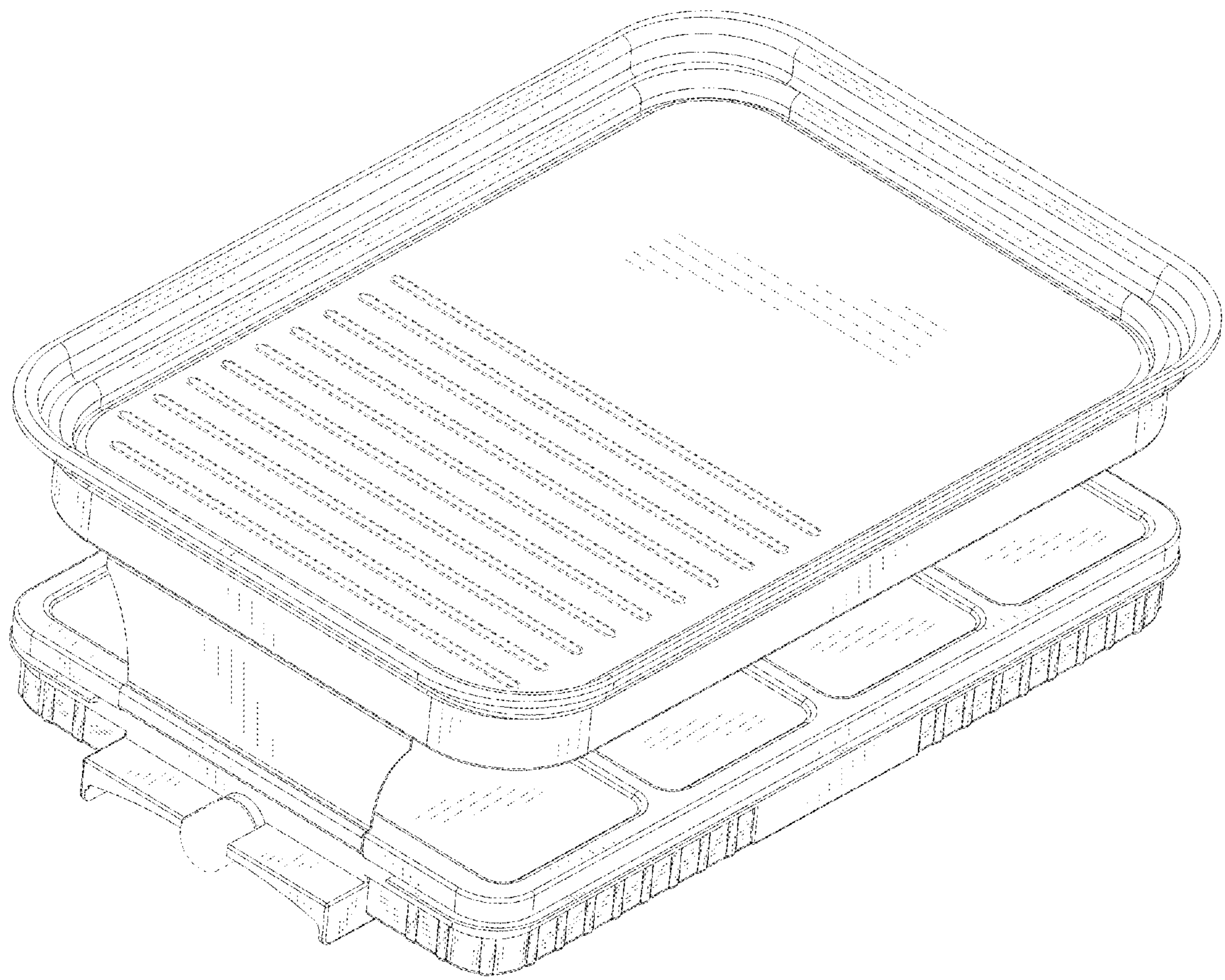


FIG.1

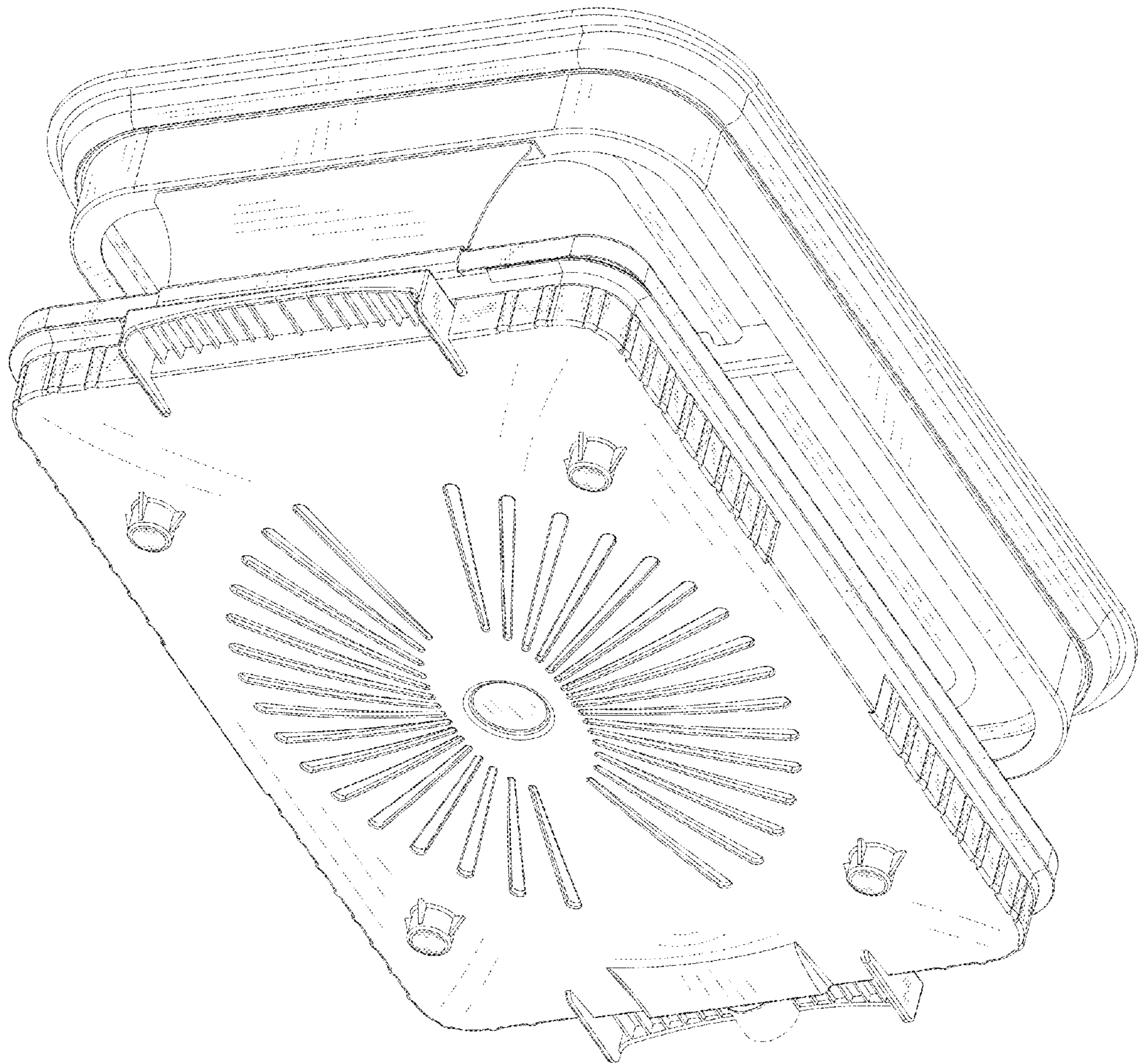


FIG. 2

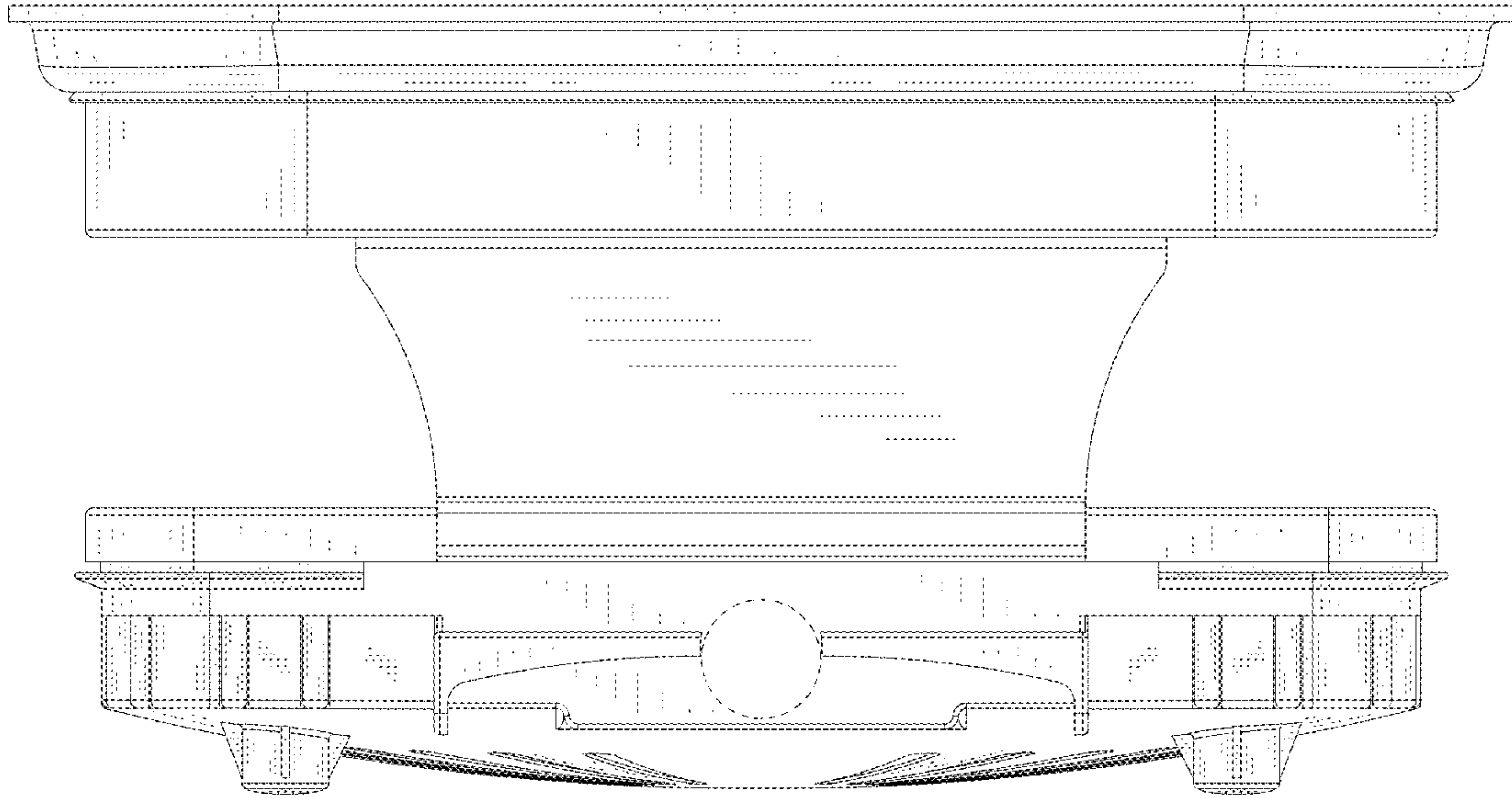


FIG. 3

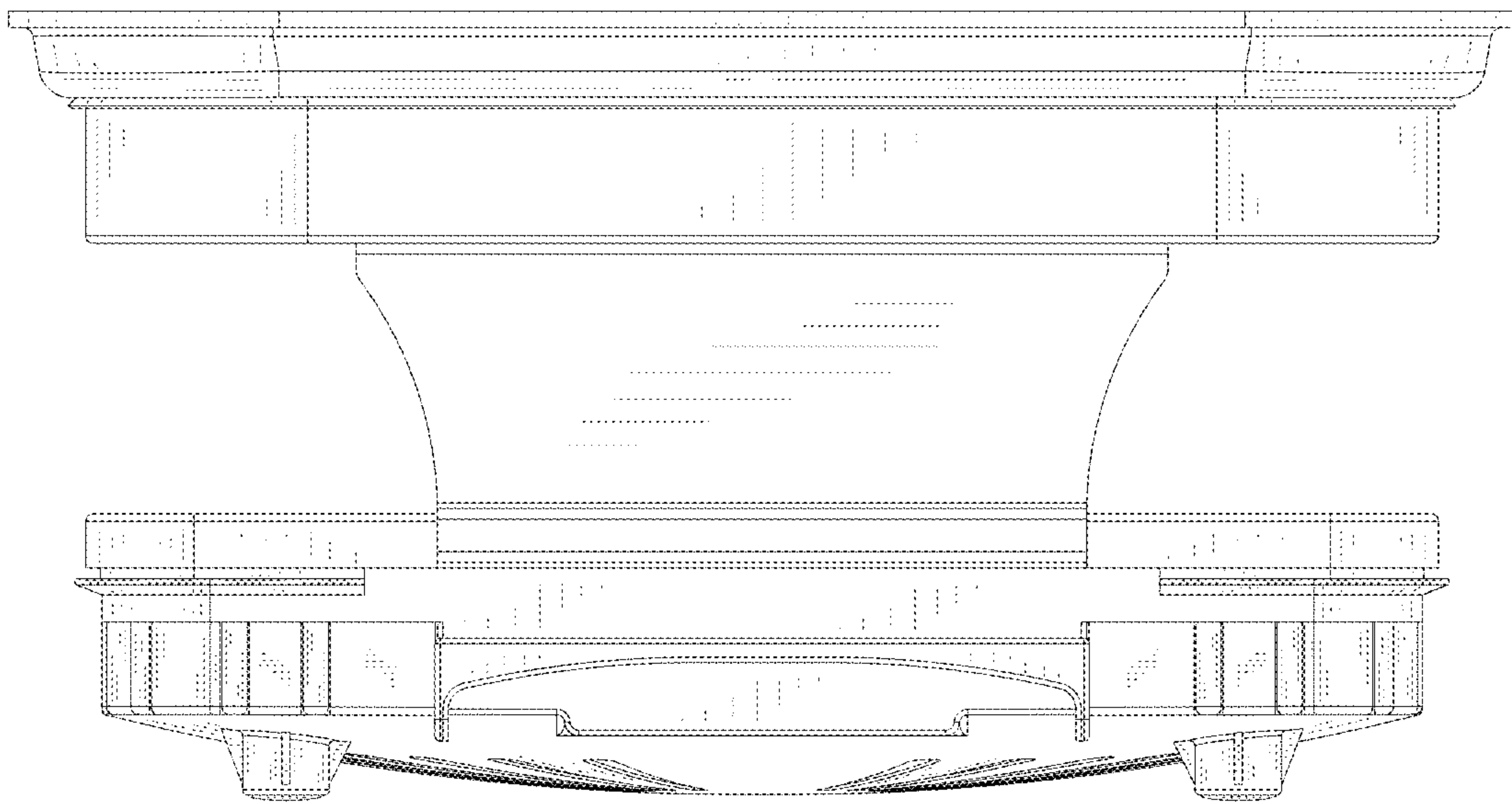


FIG. 4

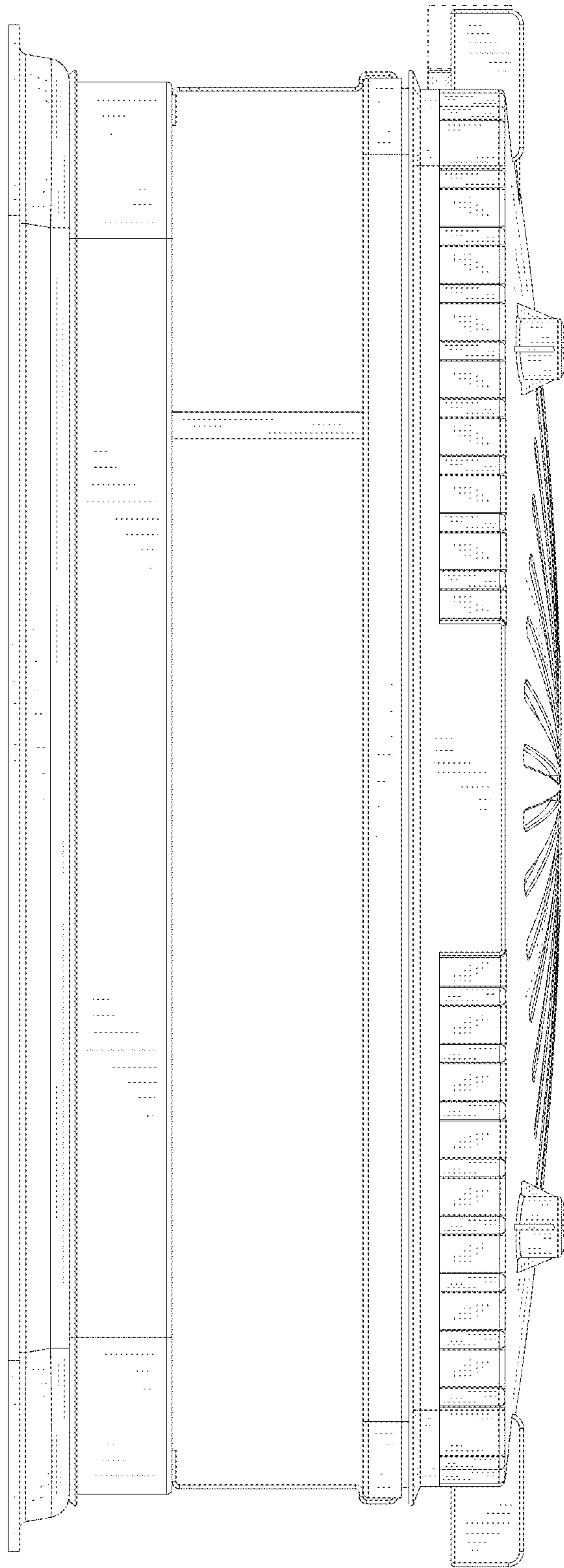


FIG. 5

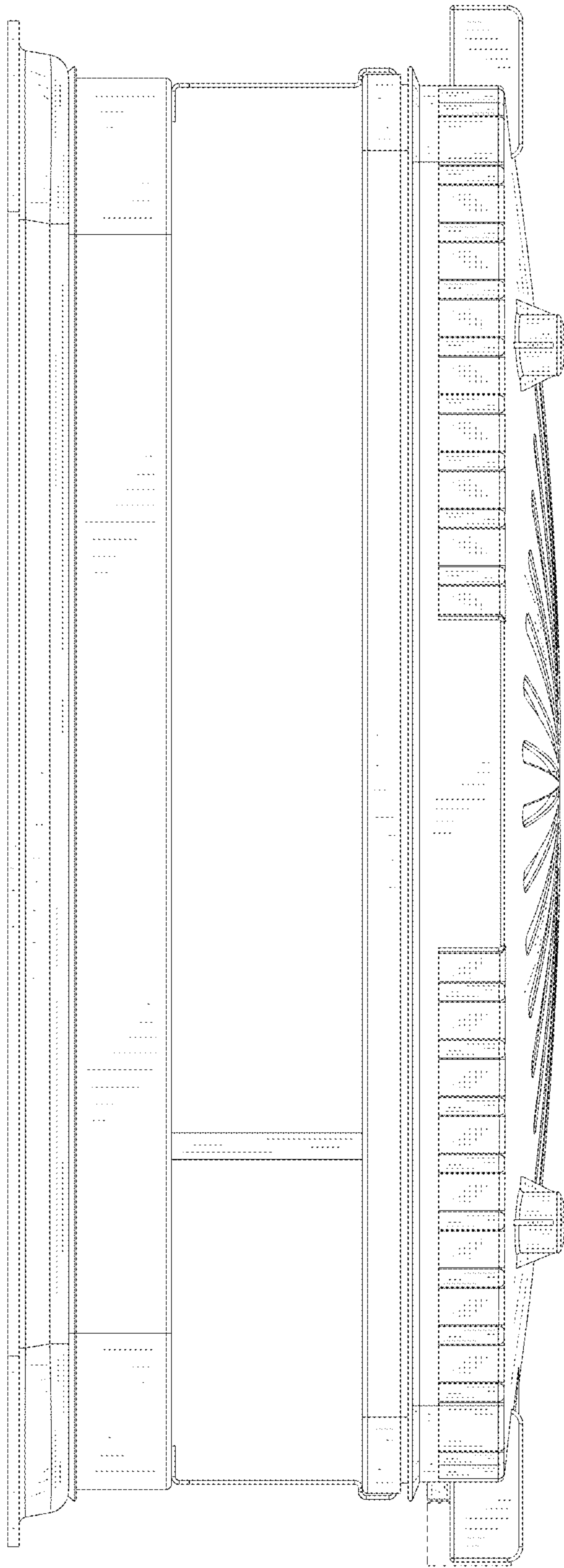


FIG. 6



FIG. 7

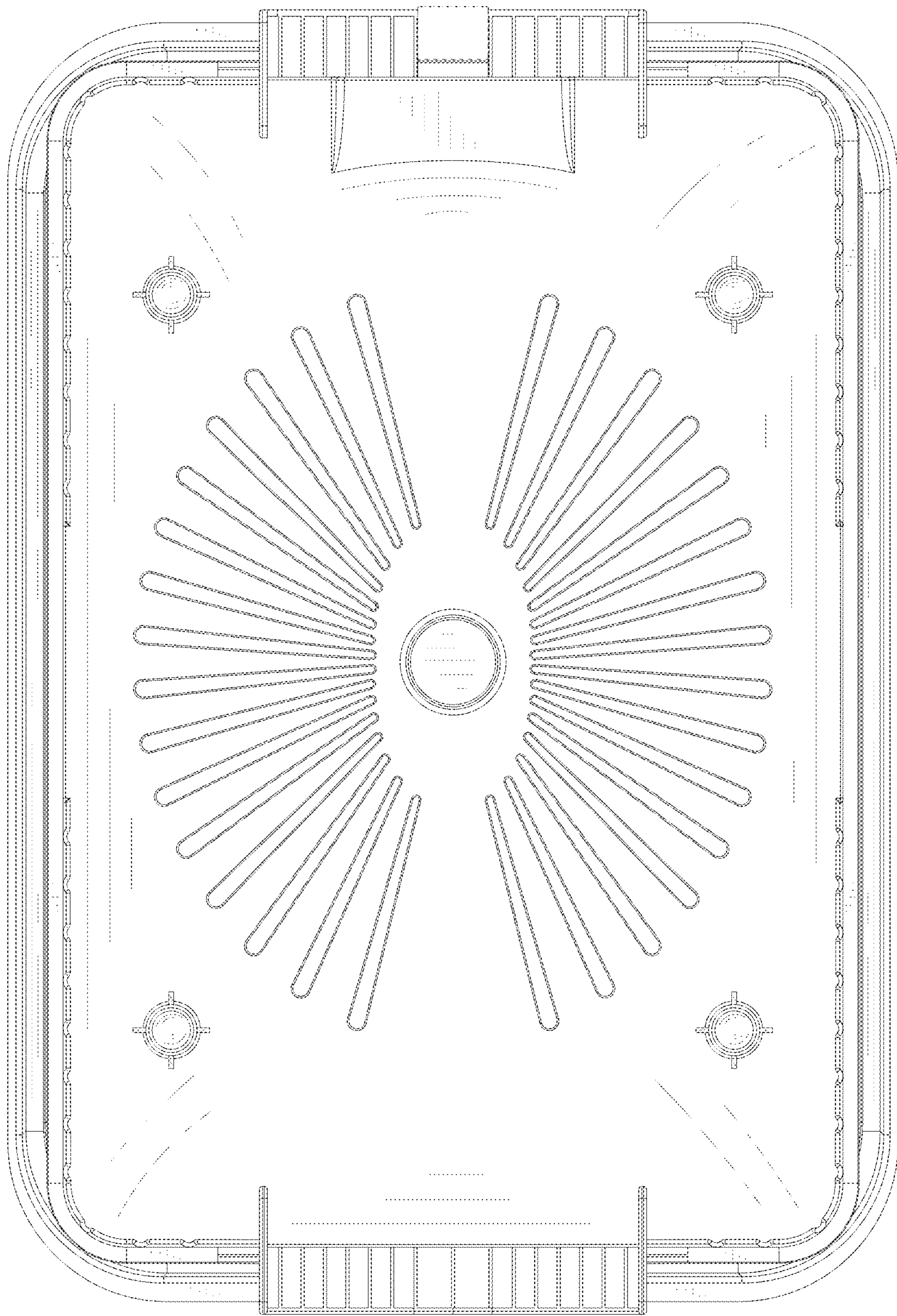


FIG. 8