



US00D980664S

(12) **United States Design Patent**
Huang

(10) **Patent No.:** **US D980,664 S**

(45) **Date of Patent:** **** Mar. 14, 2023**

- (54) **TENT STOVE**
- (71) Applicant: **Shaoming Huang**, Nanchang (CN)
- (72) Inventor: **Shaoming Huang**, Nanchang (CN)
- (**) Term: **15 Years**
- (21) Appl. No.: **29/805,457**
- (22) Filed: **Aug. 27, 2021**
- (51) **LOC (14) Cl.** **07-02**
- (52) **U.S. Cl.**
USPC **D7/337; D7/339; D23/343**
- (58) **Field of Classification Search**
USPC D7/323, 327, 332, 334–337, 338, 339,
D7/347–348, 350.1, 350.2, 367;
D23/342, 343, 348–350
CPC A47J 37/0623; A47J 37/0664; A47J
37/0658; F24C 3/14; F24C 1/16; F24B
1/202; F24B 1/205
See application file for complete search history.

5,947,105	A *	9/1999	Scott	F24B 1/202 29/403.1
D769,667	S	10/2016	Ting		
D845,695	S *	4/2019	Wu	D7/334
D849,908	S *	5/2019	Wu	D23/343
D862,969	S *	10/2019	Tapaninaho	D7/339
D920,027	S	5/2021	Harrell et al.		
D934,614	S *	11/2021	Ritchie	D7/348
D934,615	S *	11/2021	Ritchie	D7/348
D938,003	S *	12/2021	Ming	D23/343
D942,203	S *	2/2022	Jiang	D7/339
D942,796	S *	2/2022	Jiang	D7/339
D950,297	S *	5/2022	Jiang	D7/337
D950,298	S *	5/2022	Yang	D7/339
D952,391	S *	5/2022	Yang	D7/339
2020/0378606	A1 *	12/2020	Lin	F23B 80/04

OTHER PUBLICATIONS

Silver Fire, Stainless Steel Multi-Function Tent Dragon, 2017 (Verified at web.archive.org), <https://www.silverfire.us/multi-tent-dragon> (Year: 2017).*

* cited by examiner

Primary Examiner — Brett Miller

(57) **CLAIM**

The ornamental design for a tent stove, as shown and described.

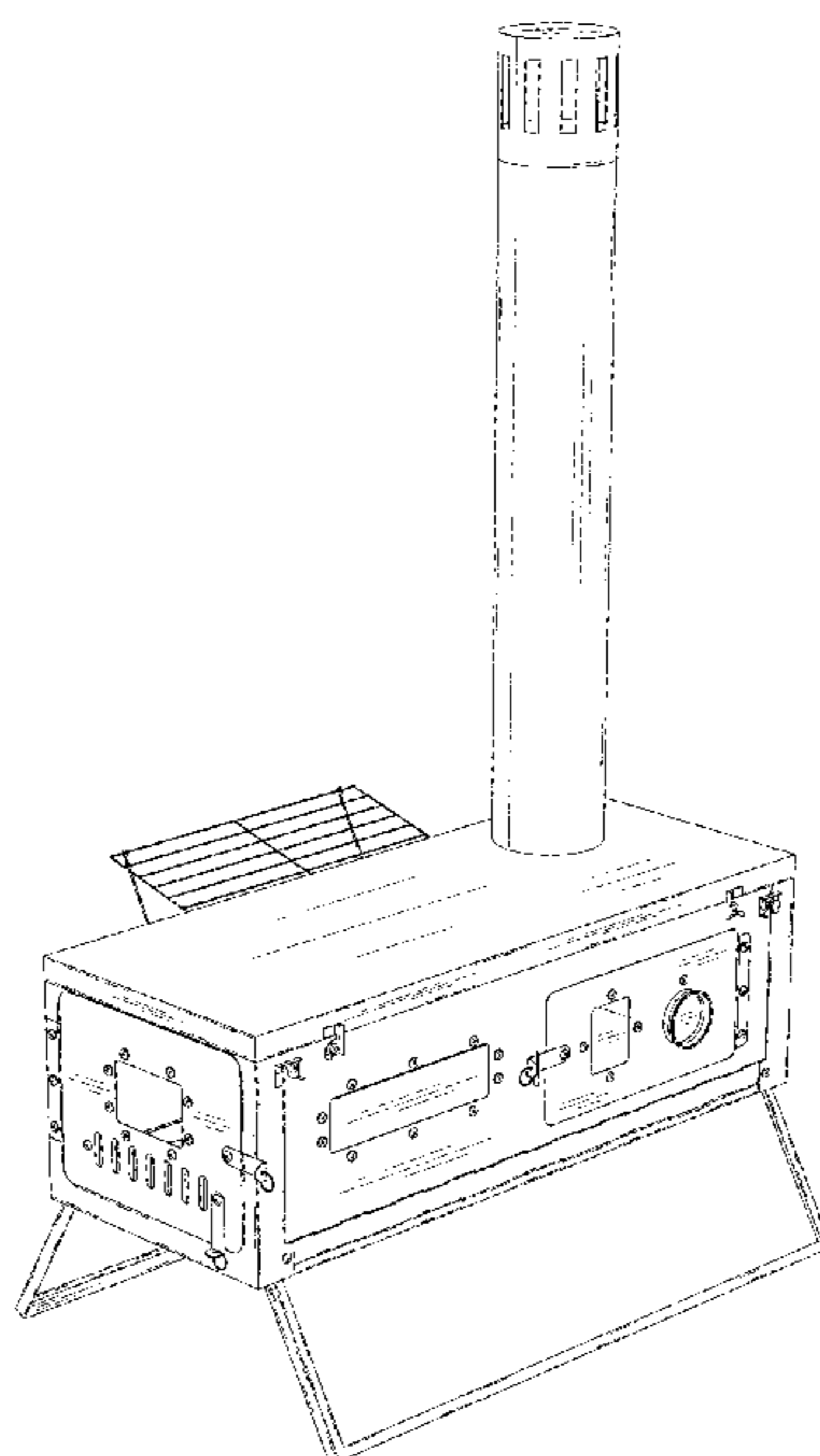
DESCRIPTION

FIG. 1 is a perspective view of a tent stove showing my new design;
FIG. 2 is a front elevational view thereof;
FIG. 3 is a rear elevational view thereof;
FIG. 4 is a left side elevational view thereof;
FIG. 5 is a right side elevational view thereof;
FIG. 6 is a top plan view thereof; and,
FIG. 7 is a bottom plan view thereof.

1 Claim, 7 Drawing Sheets

(56) **References Cited**
U.S. PATENT DOCUMENTS

700,356	A *	5/1902	Mitchell	F24B 1/205 126/9 R
1,423,252	A *	7/1922	Popper	F24B 1/205 126/38
2,485,667	A *	10/1949	Sims	F24B 1/205 126/305
2,922,414	A *	1/1960	Brender	F24B 1/202 D7/332
3,489,131	A *	1/1970	Richins	F24B 1/205 126/9 R
4,069,806	A *	1/1978	Landry	F24B 1/205 126/307 R
D251,385	S *	3/1979	Zimmer	D23/343
4,911,140	A *	3/1990	Robinson	F24B 1/205 126/9 R



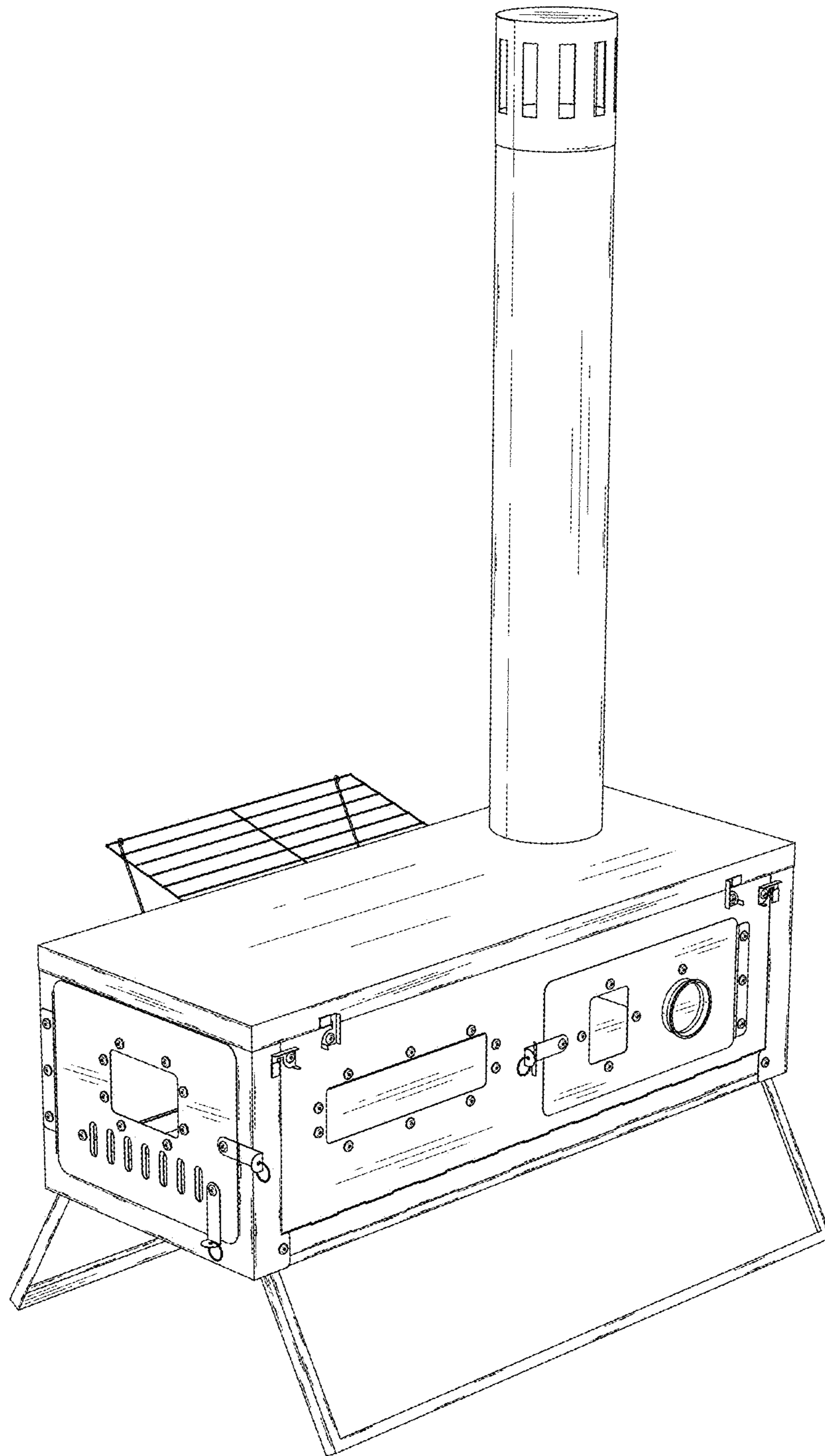


FIG. 1

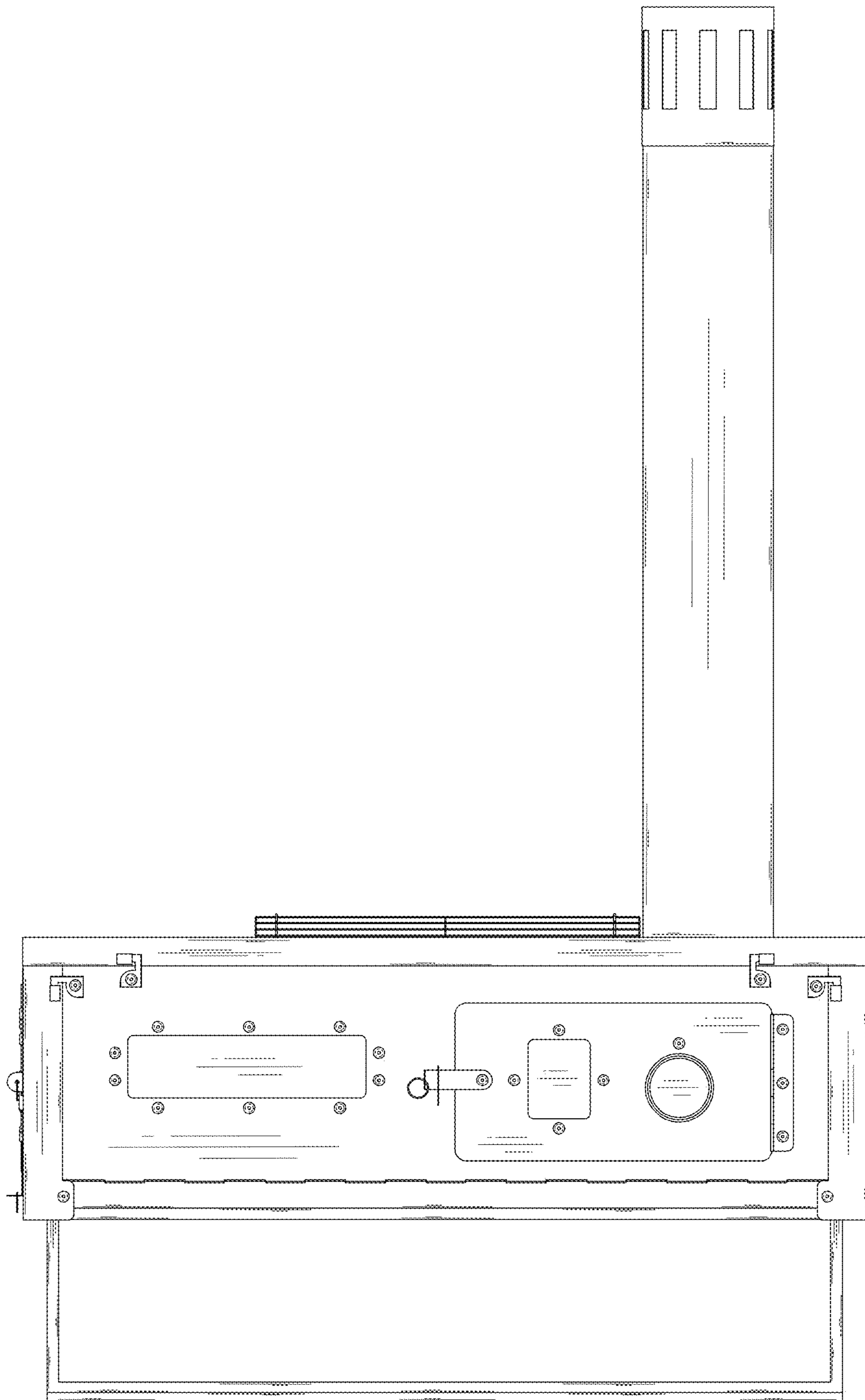


FIG. 2

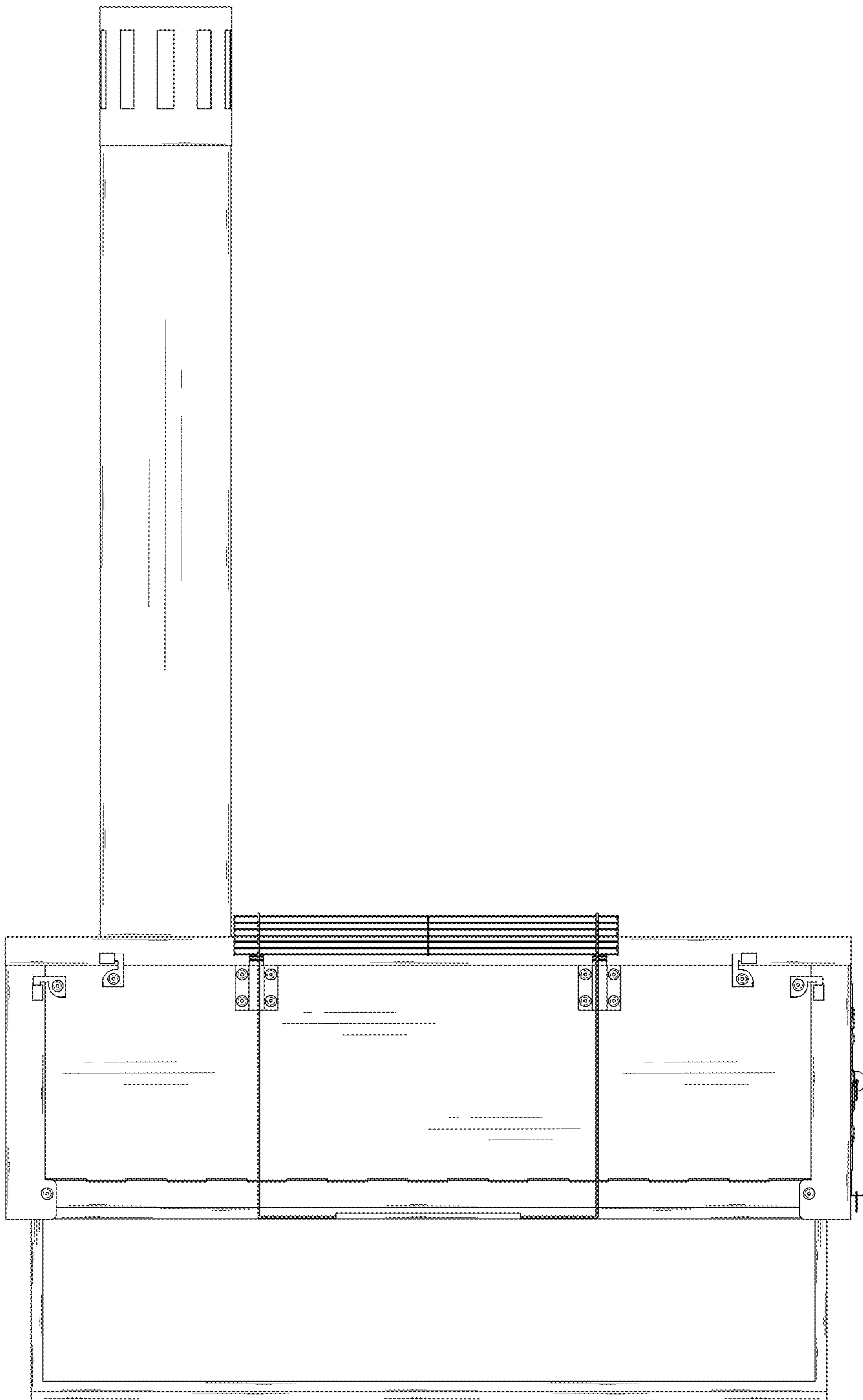


FIG. 3

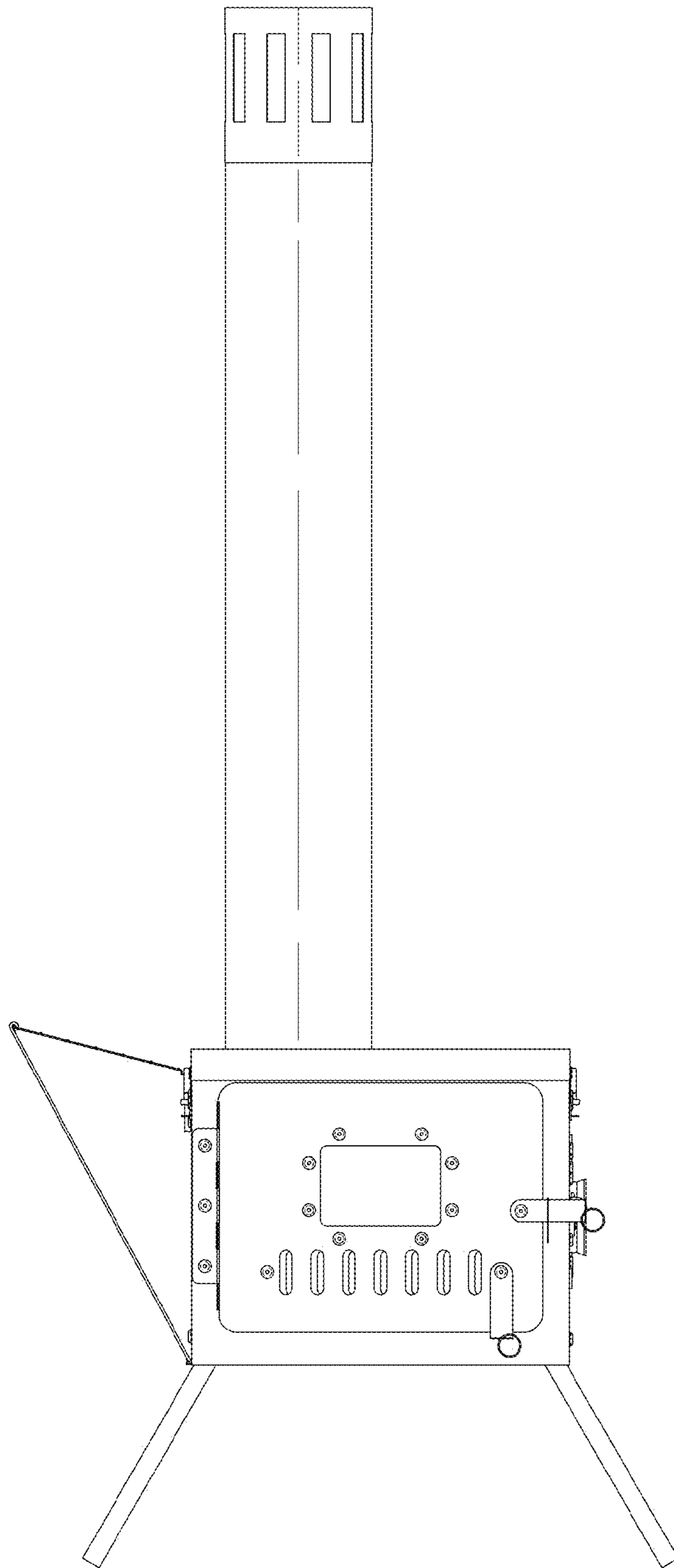


FIG. 4

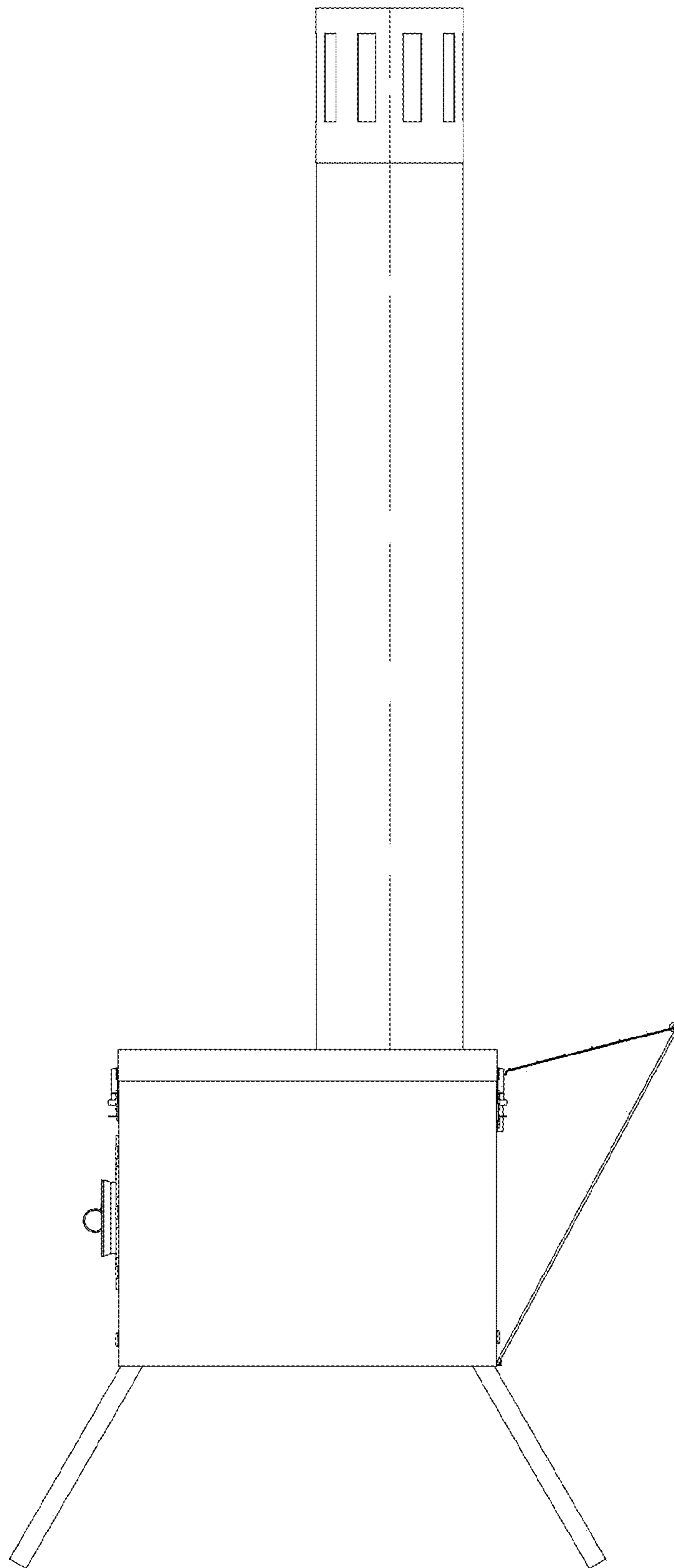


FIG. 5

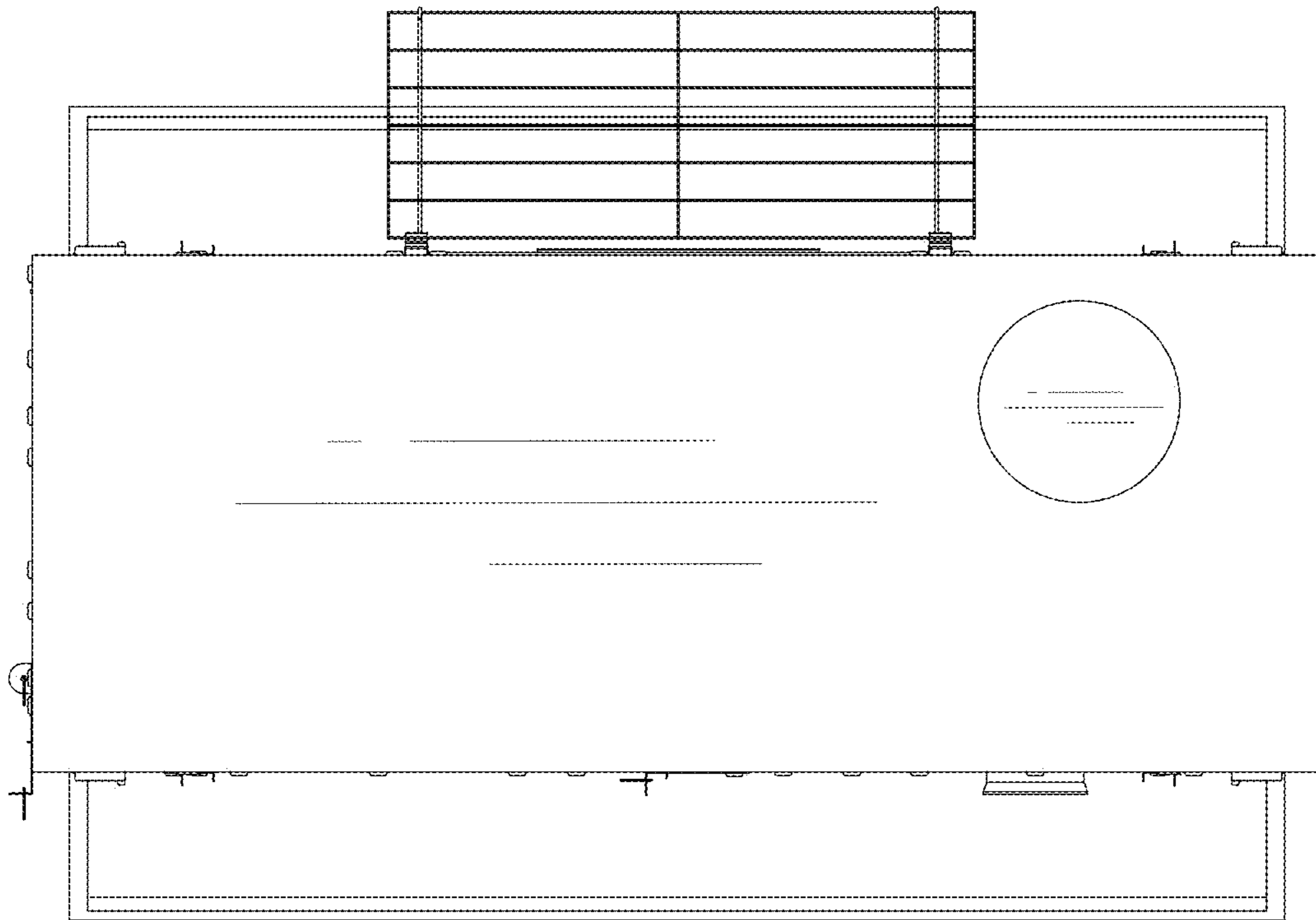


FIG. 6

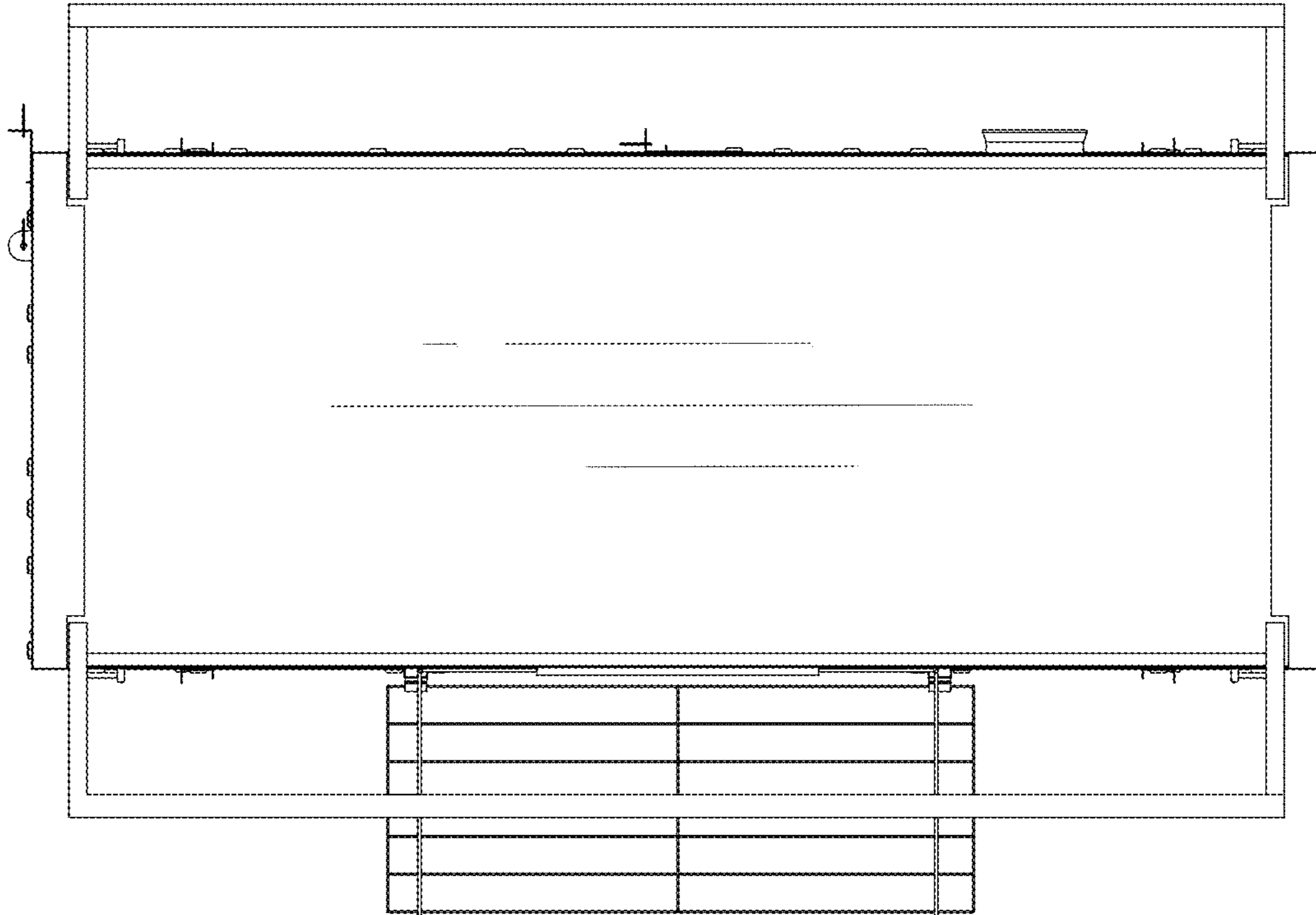


FIG. 7