



US00D980663S

(12) **United States Design Patent** (10) **Patent No.:** **US D980,663 S**
Avigdor et al. (45) **Date of Patent:** **** Mar. 14, 2023**

(54) **DOMESTIC SODA-WATER PREPARING DEVICE**

FOREIGN PATENT DOCUMENTS

(71) Applicant: **SODASTREAM INDUSTRIES LTD.**,
Kfar Saba (IL)

CN 304521033 * 2/2018
EM 006950416-0001 * 10/2019

(Continued)

(72) Inventors: **Amit Avigdor**, Kibutz Bahan (IL);
Michael Tsinzovsky, Holon (IL)

OTHER PUBLICATIONS

(73) Assignee: **SODASTREAM INDUSTRIES LTD.**,
Kfar Saba (IL)

Aarke, “‘State of the Art’ and ‘Quality’ are common terms used to describe the premium retailer Williams Sonoma,” Oct. 26, 2017, Facebook, www.facebook.com/aarkecarbonator/photos/p.2019212058357228/2019212058357228 (Year: 2017).*

(**) Term: **15 Years**

(21) Appl. No.: **35/513,430**

(22) Filed: **Dec. 16, 2021**

(Continued)

(80) **Hague Agreement Data**

Int. Filing Date: **Dec. 16, 2021**

Int. Reg. No.: **DM/218406**

Int. Reg. Date: **Dec. 16, 2021**

Int. Reg. Pub. Date: **Jan. 28, 2022**

Primary Examiner — Joseph Kukella

Assistant Examiner — Arva P Adams

(74) *Attorney, Agent, or Firm* — Pearl Cohen Zedek
Latzer Baratz LLP

(30) **Foreign Application Priority Data**

Jul. 29, 2021 (IL) IL67387

(51) **LOC (14) Cl.** **31-00**

(52) **U.S. Cl.**
USPC **D7/313; D7/306; D7/311**

(58) **Field of Classification Search**
USPC D6/542, 543; D7/300, 300.1, 301,
D7/305–308, 310–313, 379, 392–399,
D7/401.1, 412, 415, 665
CPC A23L 2/54; A47J 31/005; A47J 31/4403;
B01F 2101/14; B65D 83/42; B67D
1/0071
See application file for complete search history.

(57) **CLAIM**

The ornamental design for a domestic soda-water preparing device, as shown and described.

(56) **References Cited**

U.S. PATENT DOCUMENTS

D87,893 S * 10/1932 Stroud D7/379
D535,851 S * 1/2007 Vavasseeur D7/379
D834,869 S * 12/2018 Ljungh D7/311
D846,329 S * 4/2019 Zimmermann D7/311

(Continued)

DESCRIPTION

1. Domestic soda-water preparing device

1.1 : Perspective

1.2 : Front

1.3 : Back

1.4 : Right

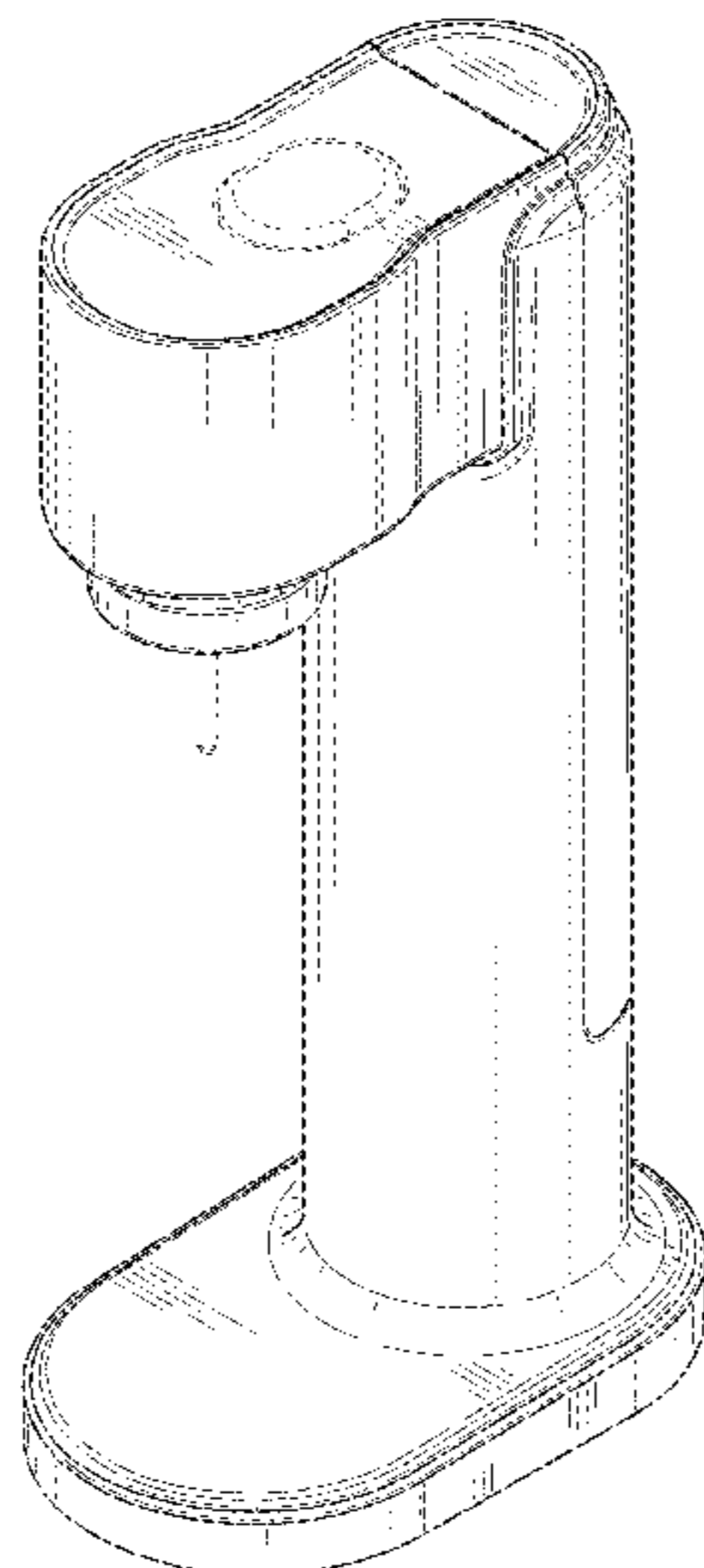
1.5 : Left

1.6 : Top

1.7 : Bottom

The shadings in the reproductions represent contours only and do not illustrate an ornamentation or decoration on the surface of the product; the parts shown by means of broken lines in the reproductions are not part of the claimed design.

1 Claim, 5 Drawing Sheets



(56)

References Cited

U.S. PATENT DOCUMENTS

D869,217 S * 12/2019 Stropkay D7/665
D879,534 S * 3/2020 Donaghey D7/311
D899,840 S * 10/2020 Hellweg D7/397
D922,816 S * 6/2021 Marshall D7/378

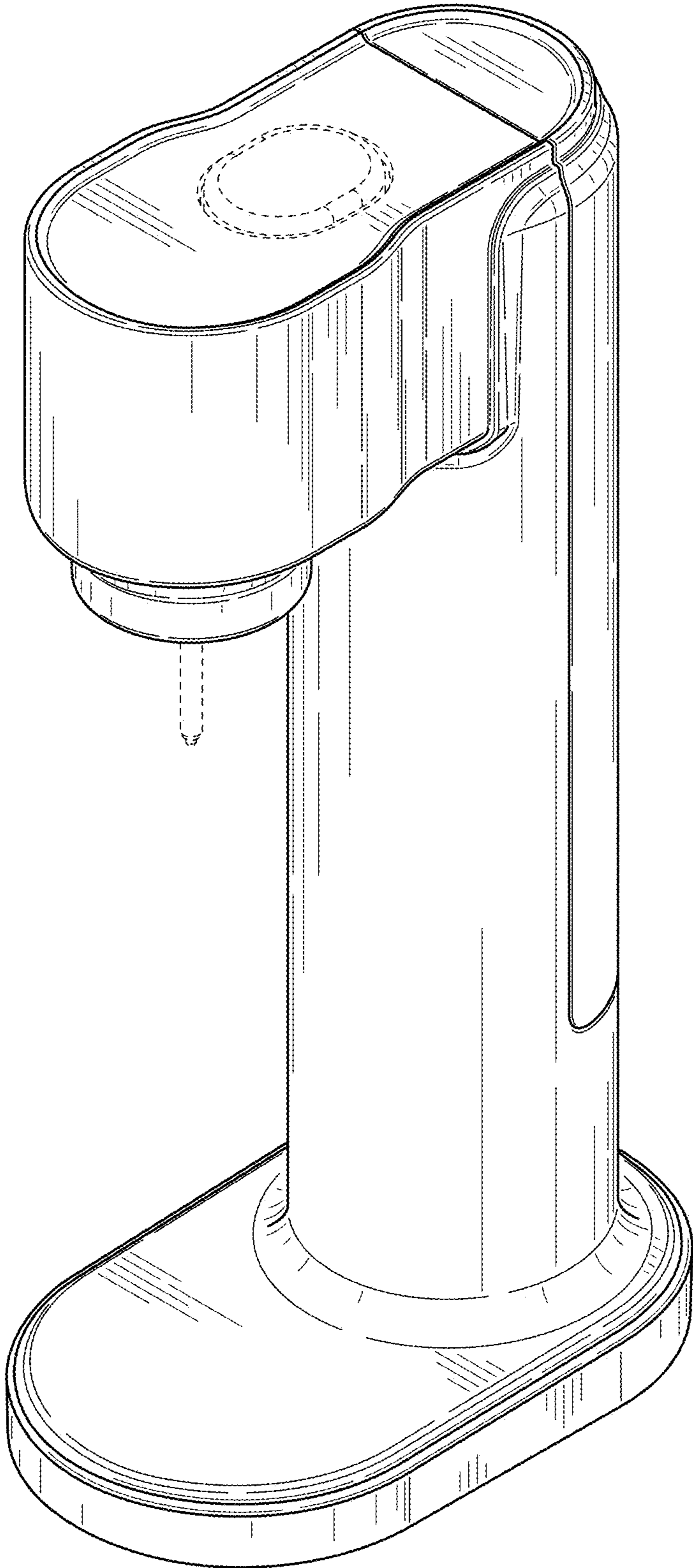
FOREIGN PATENT DOCUMENTS

EM 008423958-0001 * 2/2021
IL 67387 * 4/2022

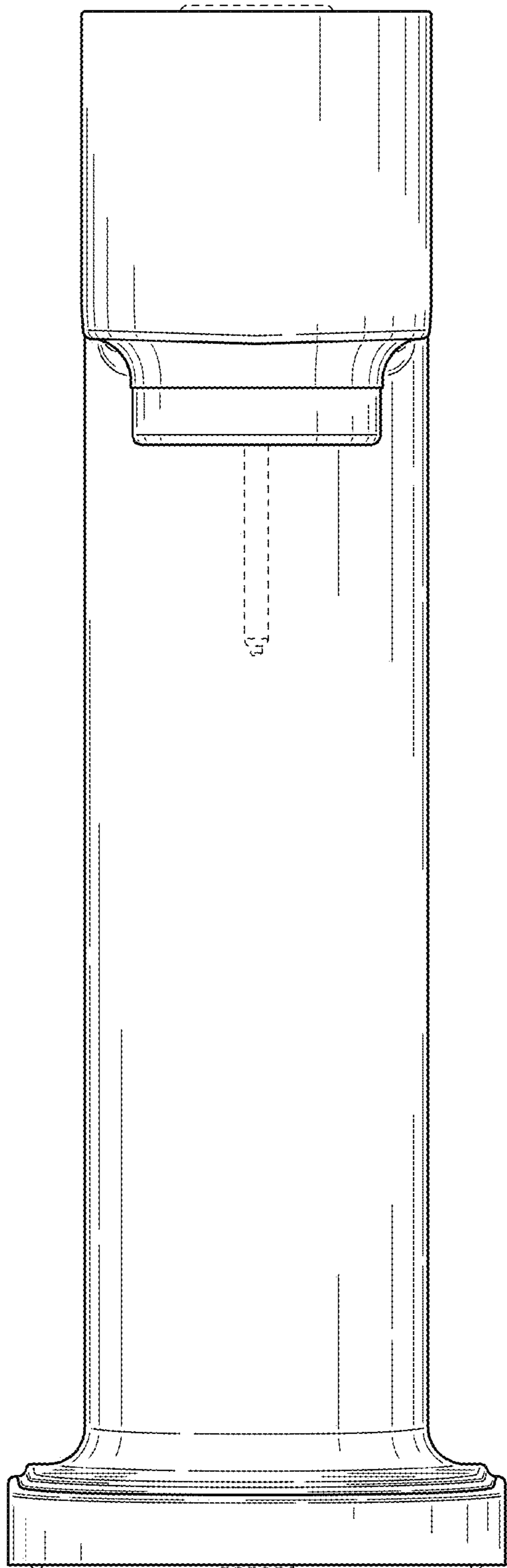
OTHER PUBLICATIONS

CSL—Computer, “Arendo—850 ml water carbonator,” Nov. 24, 2021, Amazon.de, www.amazon.de/-/en/Arendo-carbonator-bottles-compatible-cylinders/dp/B09MKCQSP1 (Year: 2021).*

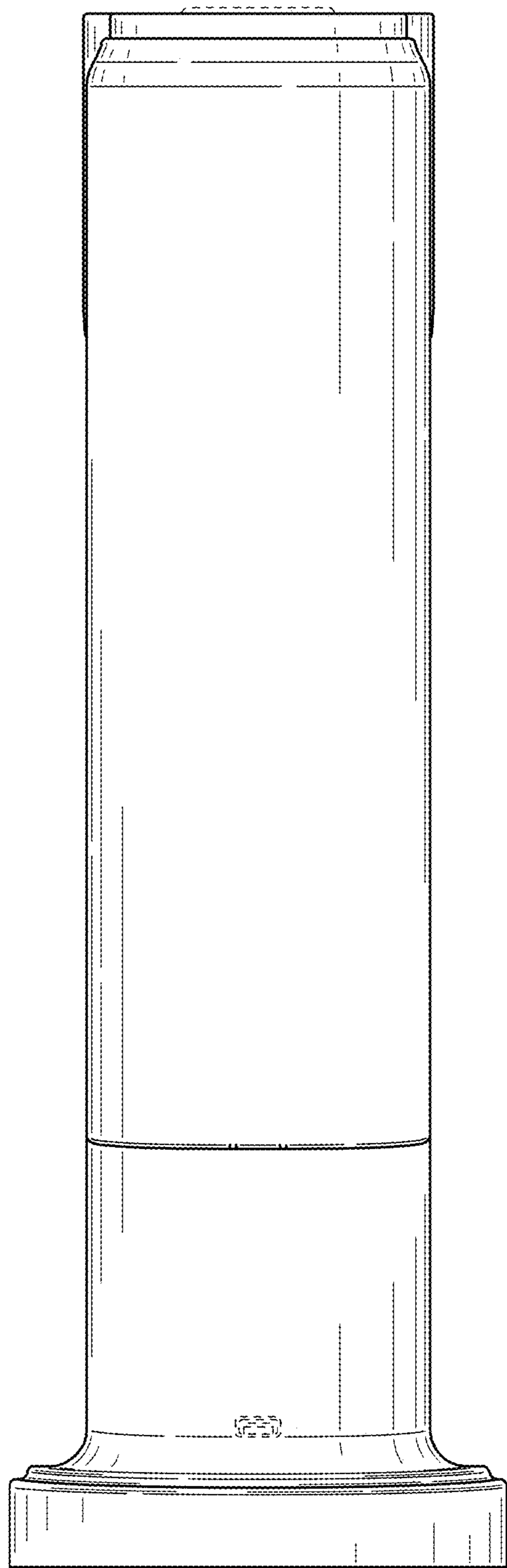
* cited by examiner



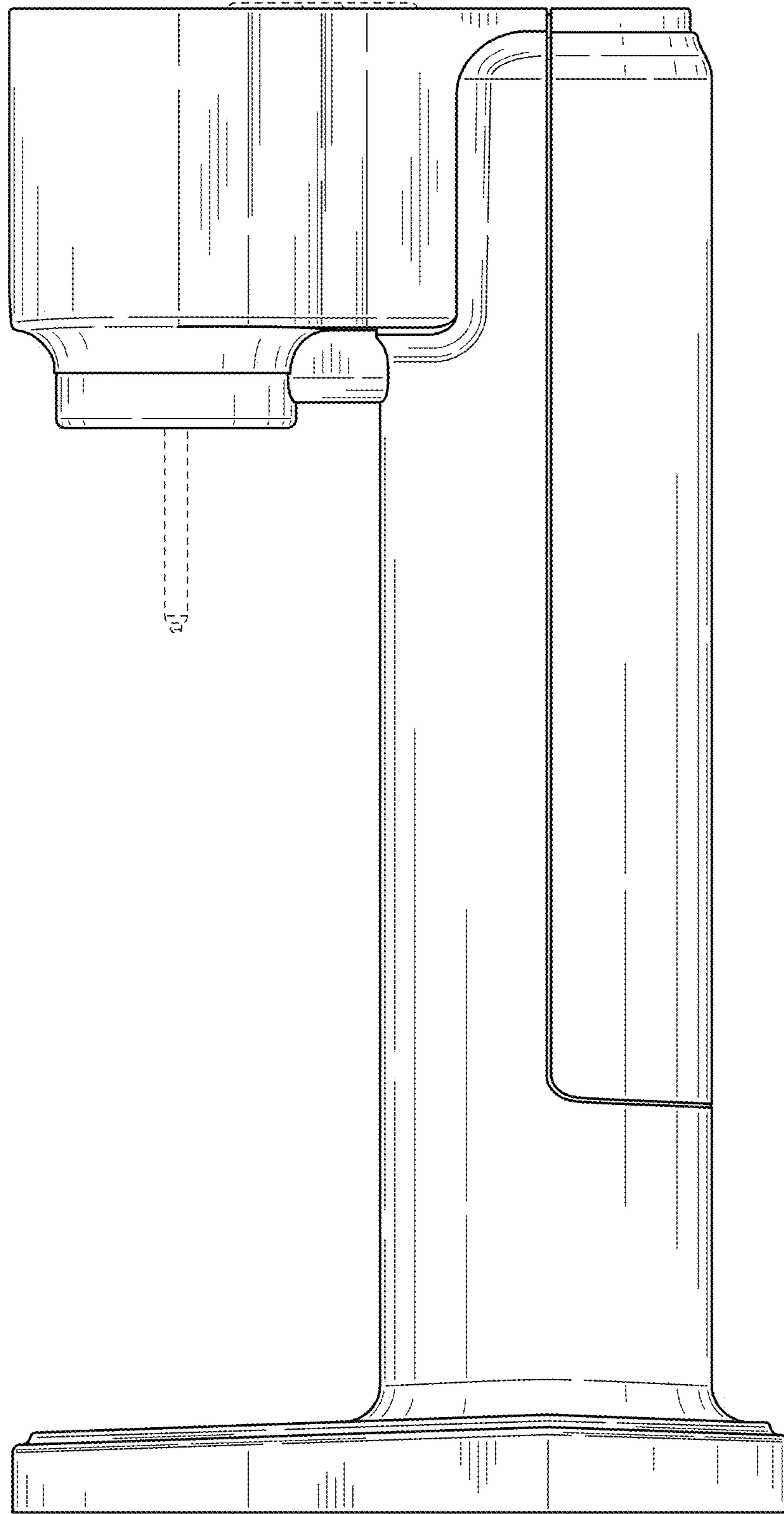
1.1



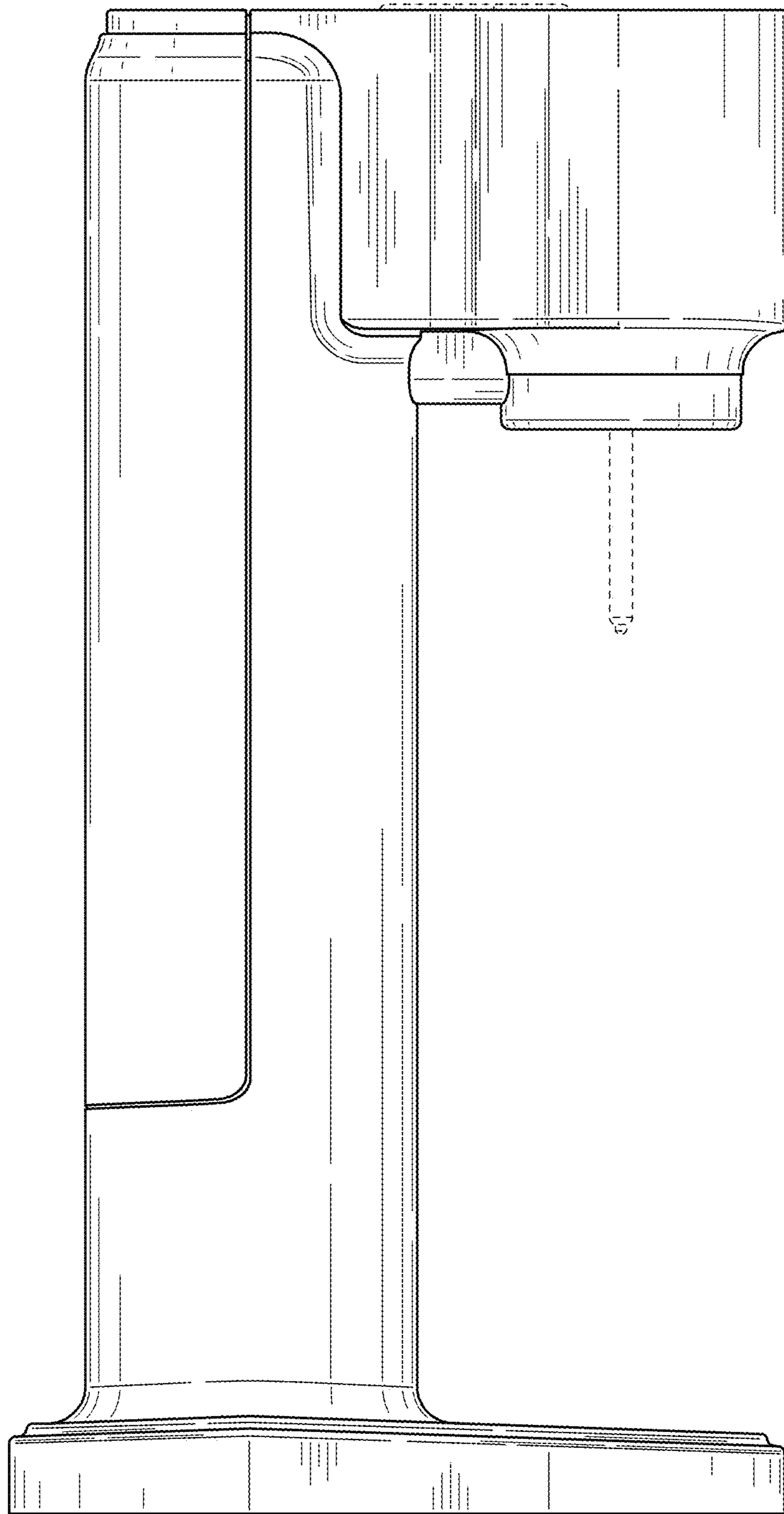
1.2



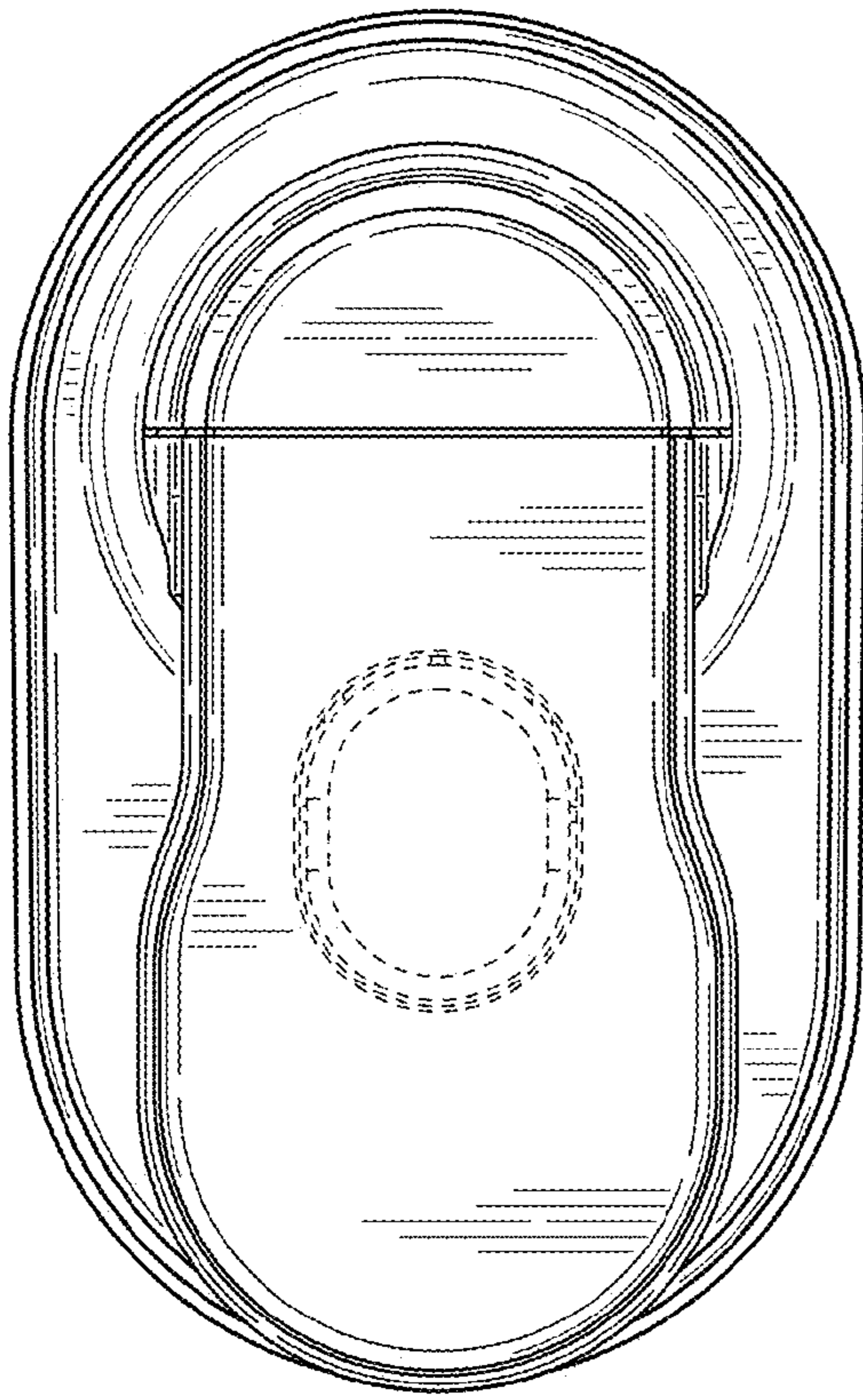
1.3



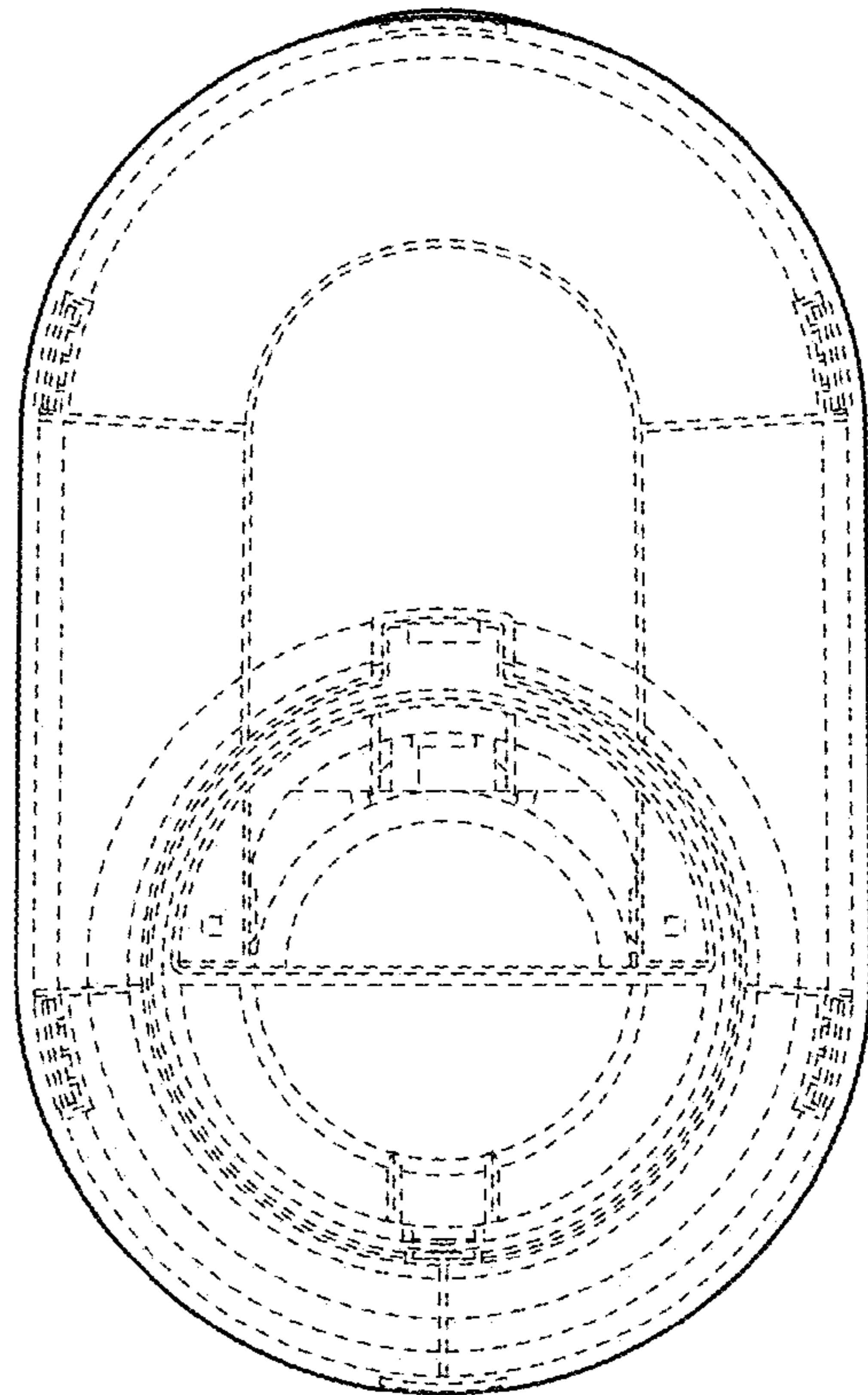
1.4



1.5



1.6



1.7