



US00D980661S

(12) **United States Design Patent**  
**Jagersberger**

(10) **Patent No.:** **US D980,661 S**  
(45) **Date of Patent:** **\*\* Mar. 14, 2023**

(54) **FURNITURE**

(71) Applicant: **F. LIST GmbH**, Thomasberg (AT)

(72) Inventor: **Martin Jagersberger**, Thomasberg (AT)

(73) Assignee: **F. LIST GMBH**, Thomasberg (AT)

(\*\*) Term: **15 Years**

(21) Appl. No.: **29/820,920**

(22) Filed: **Dec. 24, 2021**

(30) **Foreign Application Priority Data**

Jun. 25, 2021 (EM) ..... 008591457-0007

Jun. 25, 2021 (EM) ..... 008591457-0008

(51) **LOC (14) Cl.** ..... **06-06**

(52) **U.S. Cl.**  
USPC ..... **D6/702; D6/666**

(58) **Field of Classification Search**  
USPC ..... D6/657, 661, 661.2, 662, 662.1, 663,  
D6/664, 671, 671.1, 671.2, 671.3, 671.4,  
D6/666, 702, 703  
CPC ..... A47B 47/00; A47B 17/04; A47B 45/00;  
A47B 47/03; A47B 47/04; A47B 63/00;  
A47B 67/00; A47B 67/04; A47B 47/02;  
A47B 61/00; A47B 47/042; A47B  
47/0075; E06B 9/115

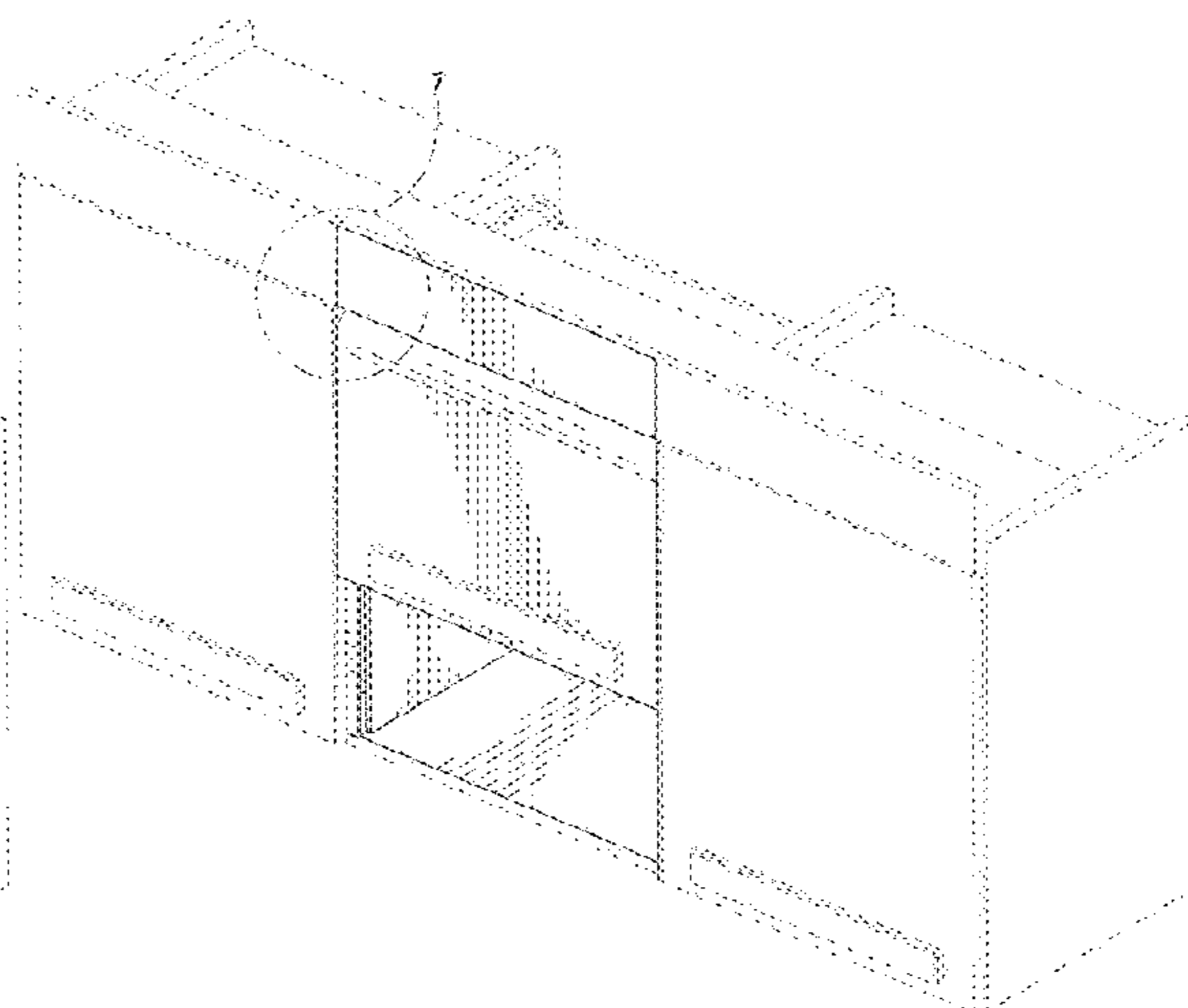
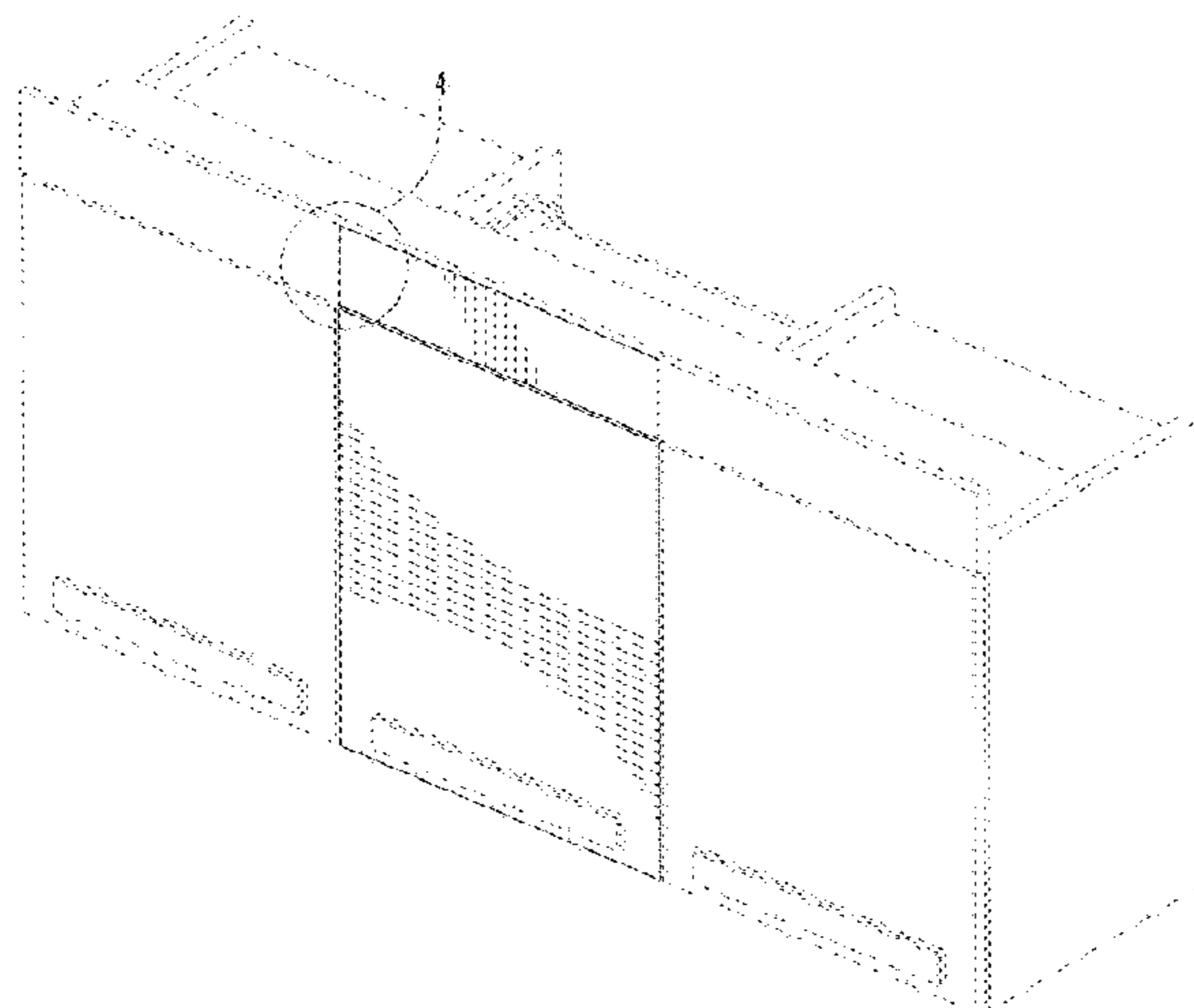
See application file for complete search history.

(56) **References Cited**

**U.S. PATENT DOCUMENTS**

D25,847 S 7/1896 Coman  
D48,308 S \* 12/1915 Coss ..... D6/666  
2,070,924 A 2/1937 Derman  
2,094,940 A 10/1937 Burdo  
D113,622 S 3/1939 Derman  
2,172,956 A 9/1939 Derman  
D141,097 S 5/1945 Pinanski  
D177,911 S 6/1956 Herrman  
D181,539 S 11/1957 Lubberts  
D223,840 S \* 6/1972 Loewy ..... D6/666

D229,262 S 11/1973 Pearson  
3,837,041 A 9/1974 Modert  
D245,562 S \* 8/1977 Robinson ..... D6/657  
4,217,012 A 8/1980 Klaus  
4,279,454 A 7/1981 Koiso  
D269,394 S 6/1983 Hennessey  
4,432,591 A 2/1984 Rinkewich  
4,441,768 A 4/1984 Clarkson  
D293,523 S \* 1/1988 Handler ..... D6/666  
5,255,970 A 10/1993 Theosabrata  
D341,275 S 11/1993 van den Nieuwelaar  
5,295,743 A \* 3/1994 Moulton ..... E06B 9/115  
312/297  
5,340,207 A 8/1994 Chen  
D354,638 S 1/1995 Todd  
D378,174 S 2/1997 Karmin  
D379,274 S 5/1997 Ati  
D390,041 S 2/1998 Cain  
D396,972 S 8/1998 Van De Oudeweetering  
5,803,563 A \* 9/1998 Woodward ..... E06B 9/115  
312/297  
D401,777 S 12/1998 Bauer  
D412,626 S 8/1999 Johnson  
D413,457 S 9/1999 Verbeek  
D437,149 S 2/2001 Klein  
D438,034 S 2/2001 Jermain  
D449,940 S 11/2001 Girard  
D451,699 S 12/2001 Wistehuff, Sr.  
D472,070 S 3/2003 de Carolis  
D472,732 S 4/2003 Citterio  
D474,925 S 5/2003 Macor  
D479,412 S 9/2003 Berry  
D537,664 S 3/2007 Mehmen  
D562,586 S 2/2008 Parker  
D568,629 S 5/2008 Looser  
D578,319 S 10/2008 Lim  
7,464,743 B1 12/2008 Berger, Jr.  
D586,580 S 2/2009 Lim  
D592,887 S 5/2009 Mischkulnig  
D594,247 S 6/2009 Estephan  
D600,053 S 9/2009 Chen  
D600,942 S 9/2009 Marrone  
D615,325 S 5/2010 Holcomb  
D634,562 S 3/2011 Bauchet  
D665,193 S 8/2012 Huffey  
D728,975 S 5/2015 Park  
D732,318 S 6/2015 Engebretson  
D737,084 S 8/2015 Bey  
D741,094 S \* 10/2015 Martell ..... D6/702  
D745,792 S 12/2015 Balas  
D758,766 S 6/2016 Kirar  
D793,772 S 8/2017 Nicoll  
D800,482 S 10/2017 Alvey



D820,010 S *	6/2018	Reyes .....	D6/663
D825,225 S	8/2018	Massaud	
D865,409 S	11/2019	Petrignet	
D880,202 S	4/2020	Caywood	
10,624,484 B1	4/2020	Mountford	
D891,826 S	8/2020	Sumlin	
D927,229 S	8/2021	Stravitz	
D927,897 S	8/2021	Chu	
D931,016 S	9/2021	Davis	
D935,235 S *	11/2021	Verburg .....	D6/657
2003/0080656 A1	5/2003	Chen	
2003/0221796 A1	12/2003	Schaller	
2003/0221797 A1	12/2003	Schaller	
2004/0031574 A1	2/2004	Gambarelli	
2015/0282342 A1	10/2015	Cox	
2016/0084000 A1	3/2016	Schlanker	
2017/0350181 A1	12/2017	Kun	

\* cited by examiner

Primary Examiner — Mimosa De  
(74) Attorney, Agent, or Firm — Hodgson Russ LLP

(57) **CLAIM**

The ornamental design for furniture, as shown and described.

**DESCRIPTION**

FIG. 1 is a perspective view of a first embodiment of furniture, showing my new design;  
 FIG. 2 is a front elevation view thereof;  
 FIG. 3 is a right side elevation view thereof;  
 FIG. 4 is a detail view of area 4 of FIG. 1;  
 FIG. 5 is another perspective view thereof, showing the door in a first opened state;  
 FIG. 6 is another perspective view thereof, showing the door in second opened state;  
 FIG. 7 is a detail view of area 7 of FIG. 5;  
 FIG. 8 is a detail view of area 8 of FIG. 6;  
 FIG. 9 is a perspective view of a second embodiment of furniture;  
 FIG. 10 is a front elevation view thereof;  
 FIG. 11 is a right side elevation view thereof;  
 FIG. 12 is a detail view of area 12 of FIG. 9;  
 FIG. 13 is another perspective view thereof, showing the door in a first opened state;  
 FIG. 14 is another perspective view thereof, showing the door in second opened state;  
 FIG. 15 is a detail view of area 15 of FIG. 13;  
 FIG. 16 is a detail view of area 16 of FIG. 14;  
 FIG. 17 is a perspective view of a third embodiment of furniture;  
 FIG. 18 is a front elevation view thereof;  
 FIG. 19 is a right side elevation view thereof;  
 FIG. 20 is a detail view of area 20 of FIG. 17;  
 FIG. 21 is another perspective view thereof, showing the door in a first opened state;  
 FIG. 22 is another perspective view thereof, showing the door in second opened state;  
 FIG. 23 is a detail view of area 23 of FIG. 21;  
 FIG. 24 is a detail view of area 24 of FIG. 22;  
 FIG. 25 is a perspective view of a fourth embodiment of furniture;  
 FIG. 26 is a front elevation view thereof;  
 FIG. 27 is a right side elevation view thereof;  
 FIG. 28 is a detail view of area 28 of FIG. 25;

FIG. 29 is another perspective view thereof, showing the door in a first opened state;  
 FIG. 30 is another perspective view thereof, showing the door in second opened state;  
 FIG. 31 is a detail view of area 31 of FIG. 29;  
 FIG. 32 is a detail view of area 32 of FIG. 30;  
 FIG. 33 is a perspective view of a fifth embodiment of furniture;  
 FIG. 34 is a front elevation view thereof;  
 FIG. 35 is a right side elevation view thereof;  
 FIG. 36 is a detail view of area 36 of FIG. 33;  
 FIG. 37 is another perspective view thereof, showing the door in a first opened state;  
 FIG. 38 is another perspective view thereof, showing the door in second opened state;  
 FIG. 39 is a detail view of area 39 of FIG. 37;  
 FIG. 40 is a detail view of area 40 of FIG. 38;  
 FIG. 41 is a perspective view of a sixth embodiment of furniture;  
 FIG. 42 is a front elevation view thereof;  
 FIG. 43 is a right side elevation view thereof;  
 FIG. 44 is a detail view of area 44 of FIG. 41;  
 FIG. 45 is another perspective view thereof, showing the door in a first opened state;  
 FIG. 46 is another perspective view thereof, showing the door in second opened state;  
 FIG. 47 is a detail view of area 47 of FIG. 45;  
 FIG. 48 is a detail view of area 48 of FIG. 46;  
 FIG. 49 is a perspective view of a seventh embodiment of furniture;  
 FIG. 50 is a front elevation view thereof;  
 FIG. 51 is a right side elevation view thereof;  
 FIG. 52 is a detail view of area 52 of FIG. 49;  
 FIG. 53 is another perspective view thereof, showing the door in a first opened state;  
 FIG. 54 is another perspective view thereof, showing the door in second opened state;  
 FIG. 55 is a detail view of area 55 of FIG. 53;  
 FIG. 56 is a detail view of area 56 of FIG. 54;  
 FIG. 57 is a perspective view of an eighth embodiment of furniture;  
 FIG. 58 is a front elevation view thereof;  
 FIG. 59 is a right side elevation view thereof;  
 FIG. 60 is a detail view of area 60 of FIG. 57;  
 FIG. 61 is another perspective view thereof, showing the door in a first opened state;  
 FIG. 62 is another perspective view thereof, showing the door in second opened state;  
 FIG. 63 is a detail view of area 63 of FIG. 61;  
 FIG. 64 is a detail view of area 64 of FIG. 62;  
 FIG. 65 is a perspective view of a ninth embodiment of furniture;  
 FIG. 66 is a front elevation view thereof;  
 FIG. 67 is a right side elevation view thereof;  
 FIG. 68 is a detail view of area 68 of FIG. 65;  
 FIG. 69 is another perspective view thereof, showing the door in a first opened state;  
 FIG. 70 is another perspective view thereof, showing the door in second opened state;  
 FIG. 71 is a detail view of area 71 of FIG. 69; and,  
 FIG. 72 is a detail view of area 72 of FIG. 70.  
 The evenly spaced broken lines in the figures depict portions of the furniture that form no part of the claimed design. The long-dash, short-dash lines depict the boundaries of the detail views and form no part of the claimed design. The

long-dash, double short-dash lines indicate symbolic breaks in the furniture. The appearance of any portion of the article between the break lines forms no part of the claimed design.

**1 Claim, 72 Drawing Sheets**

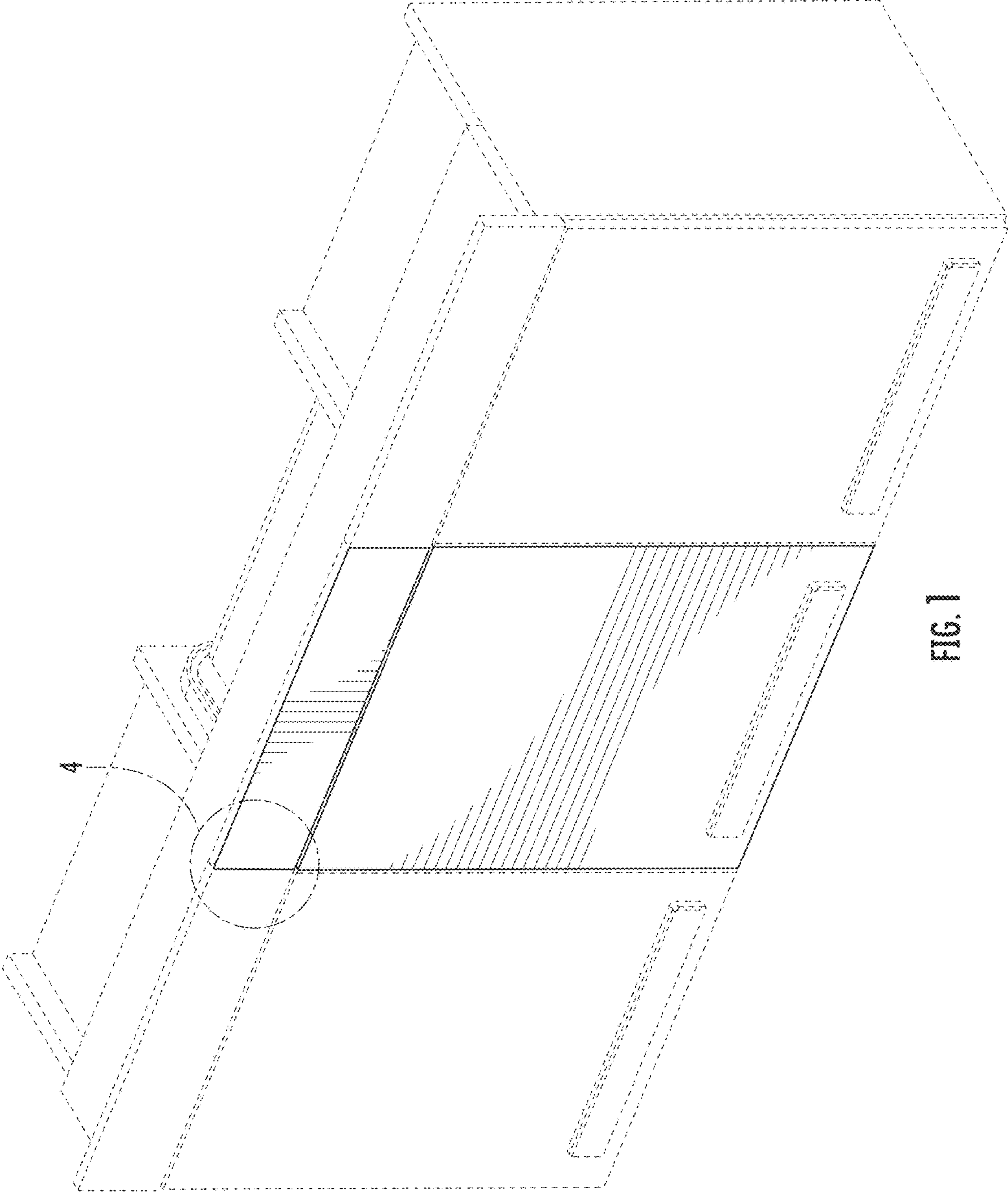


FIG. 1

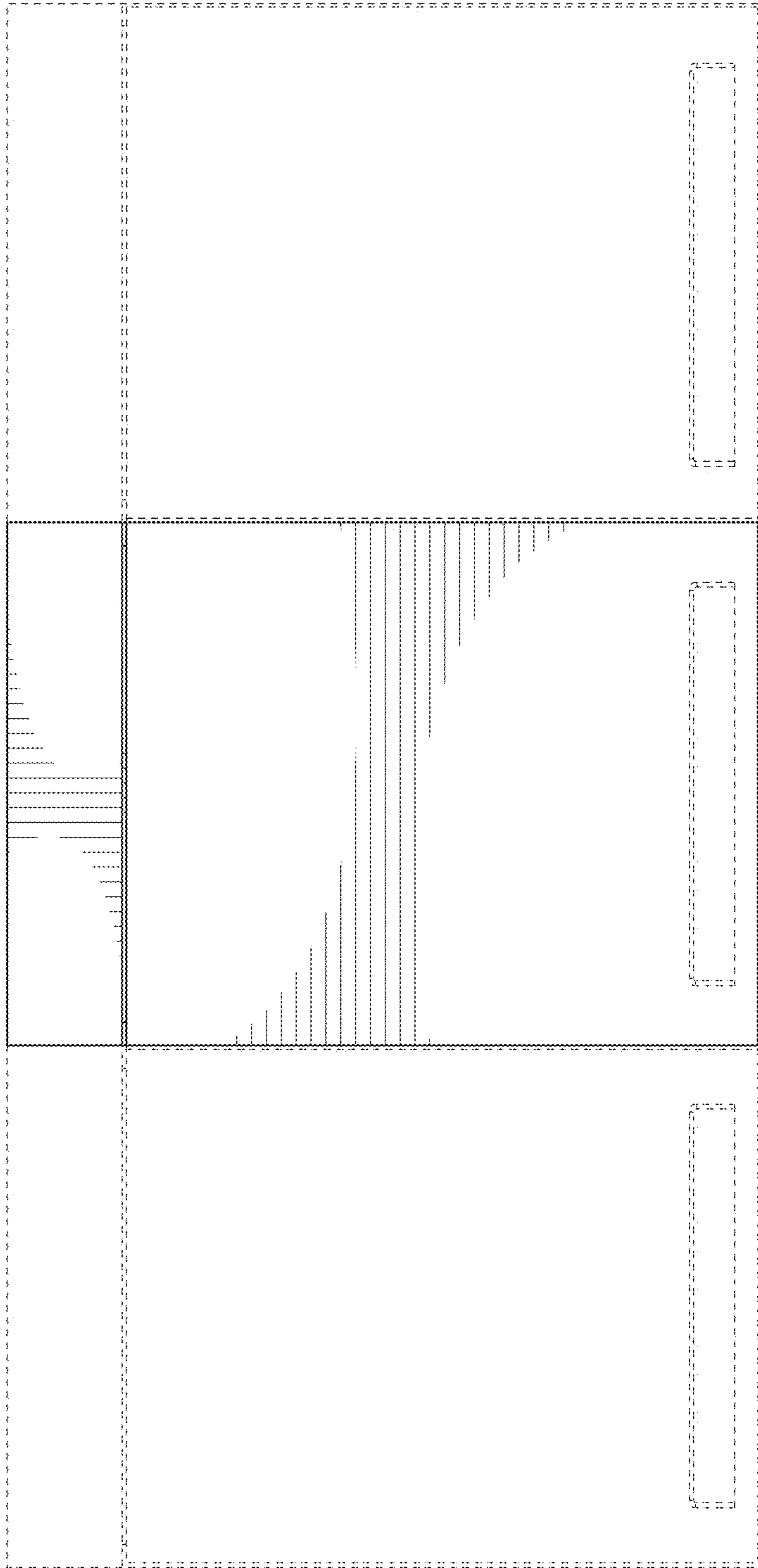


FIG. 2

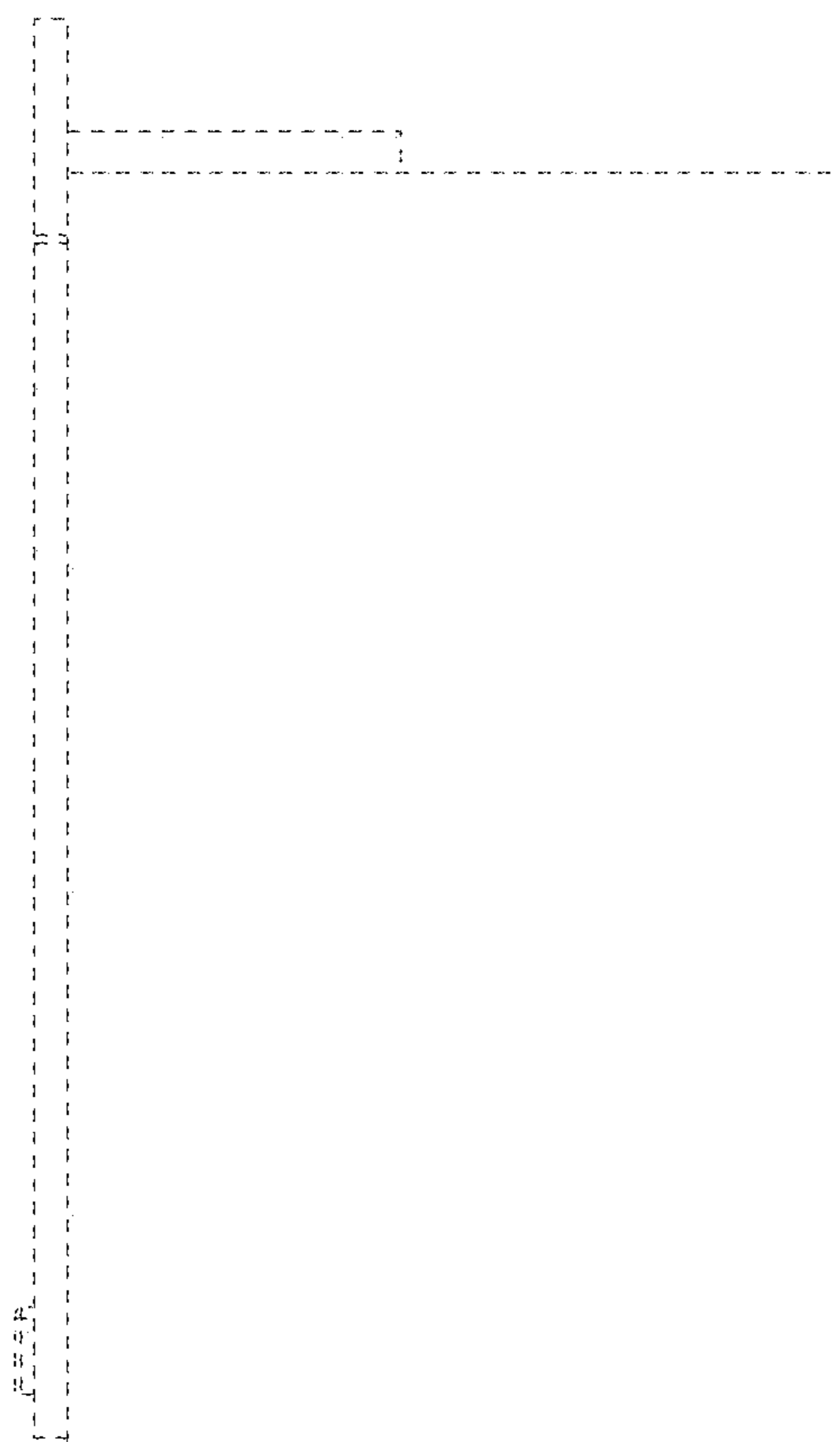


FIG. 3

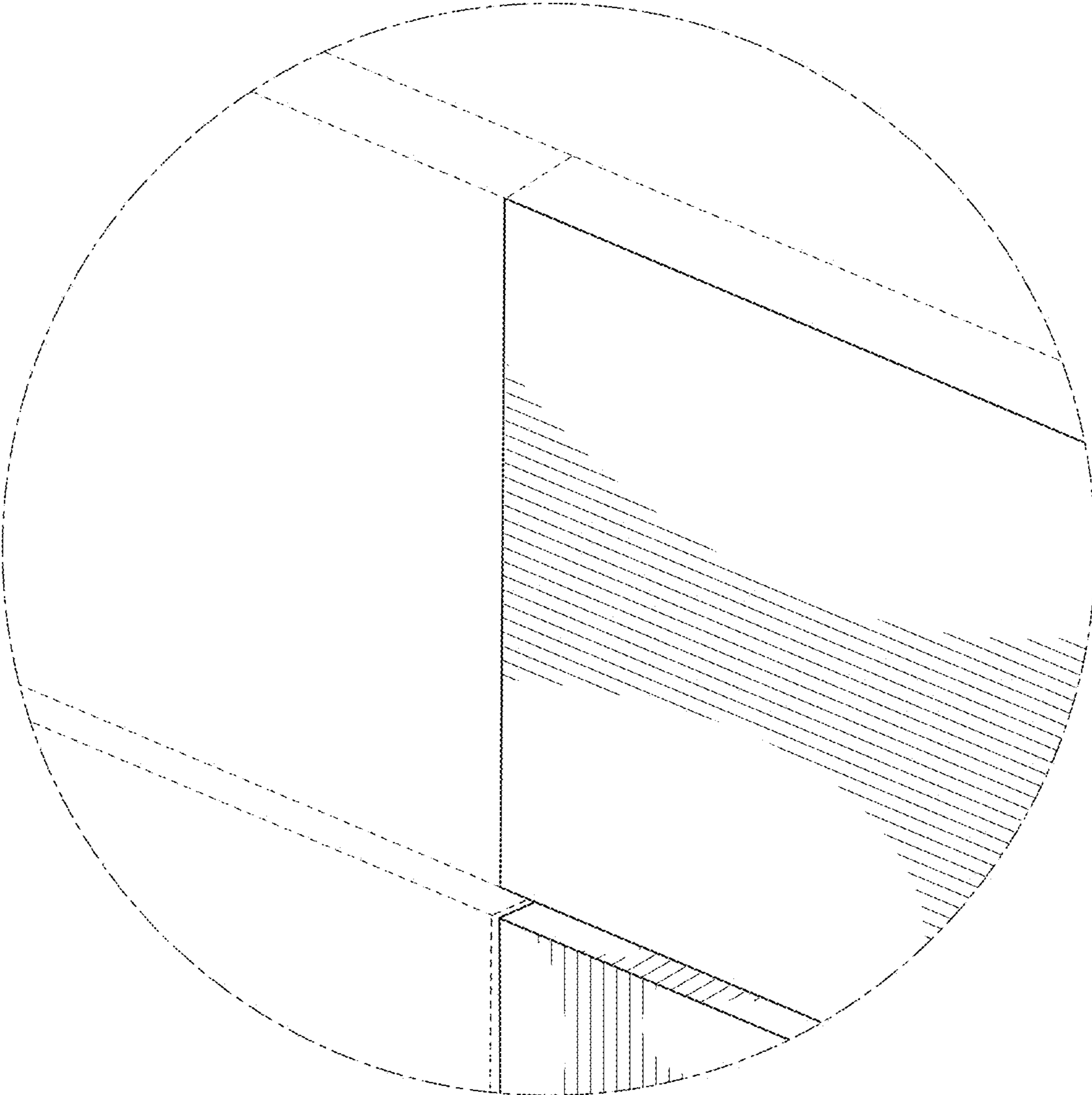


FIG. 4

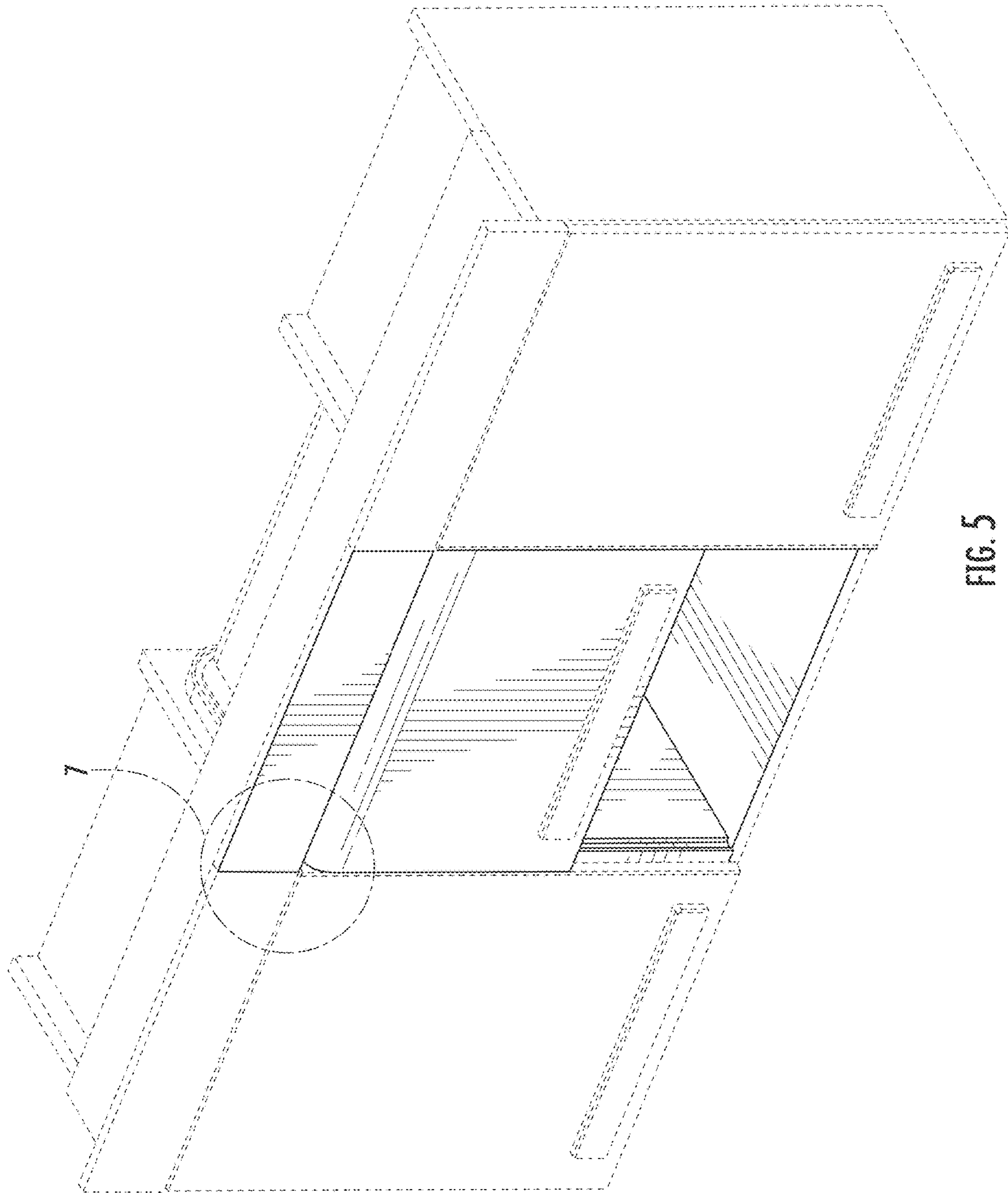


FIG. 5



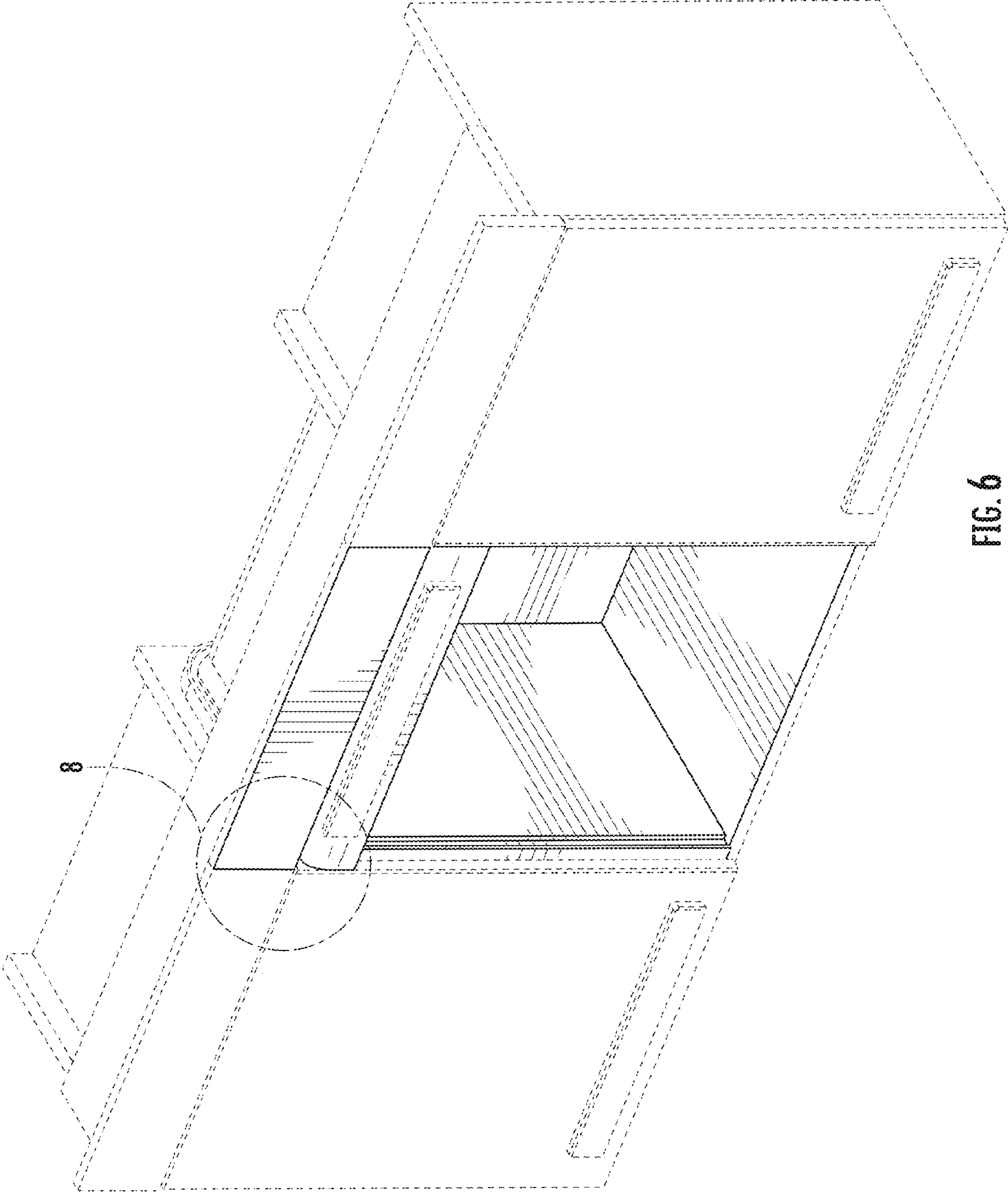


FIG. 6

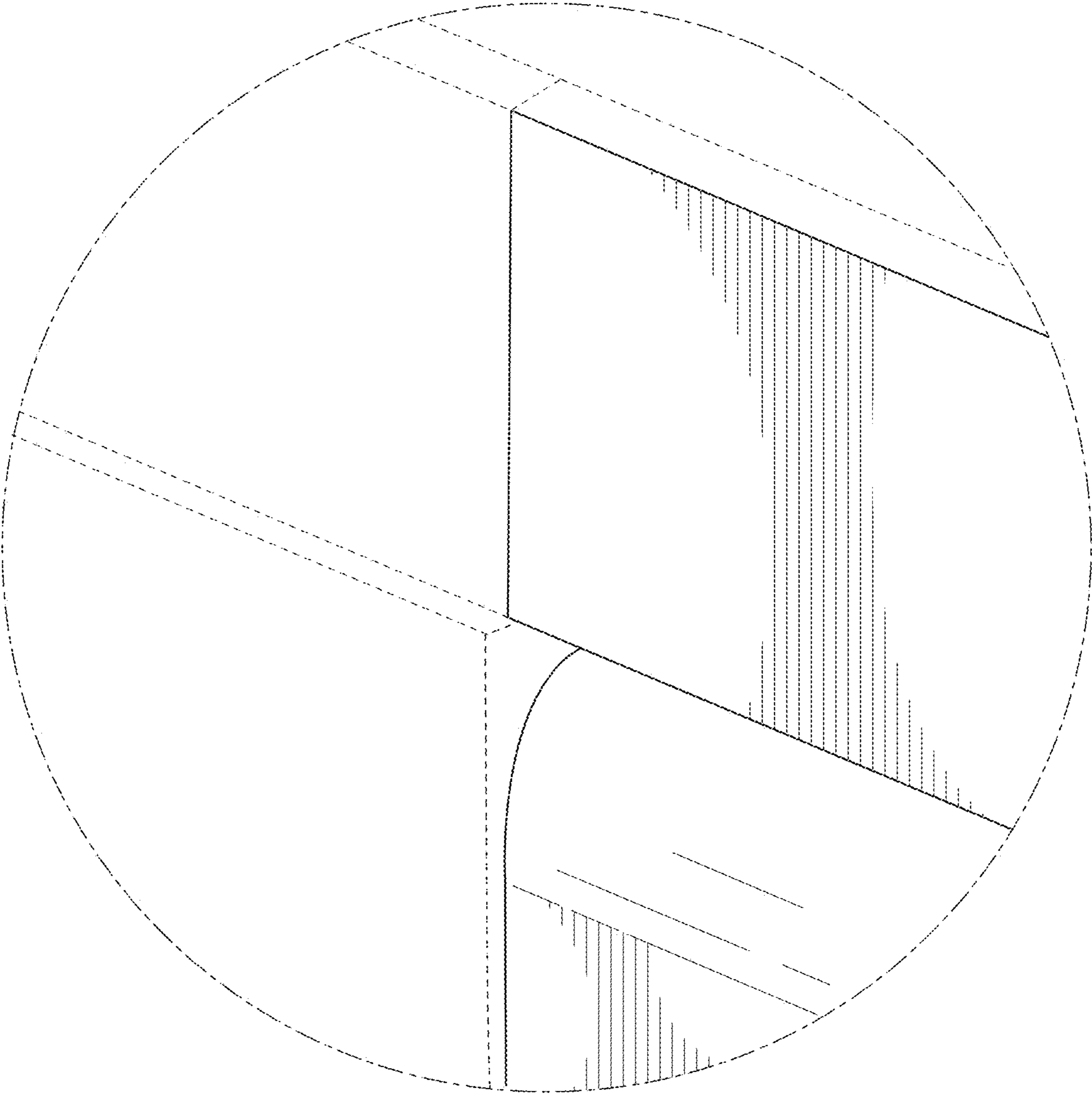


FIG. 7

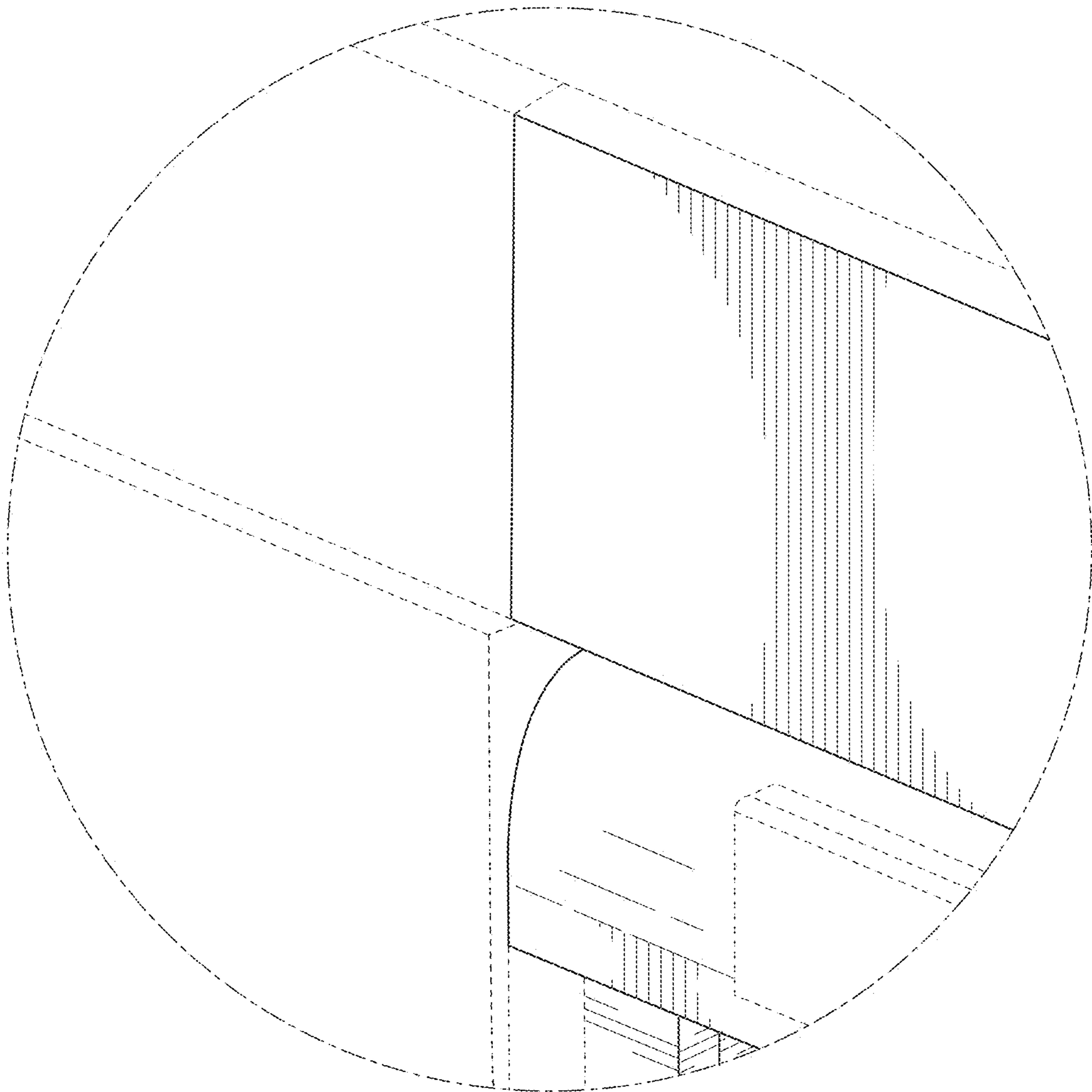


FIG. 8

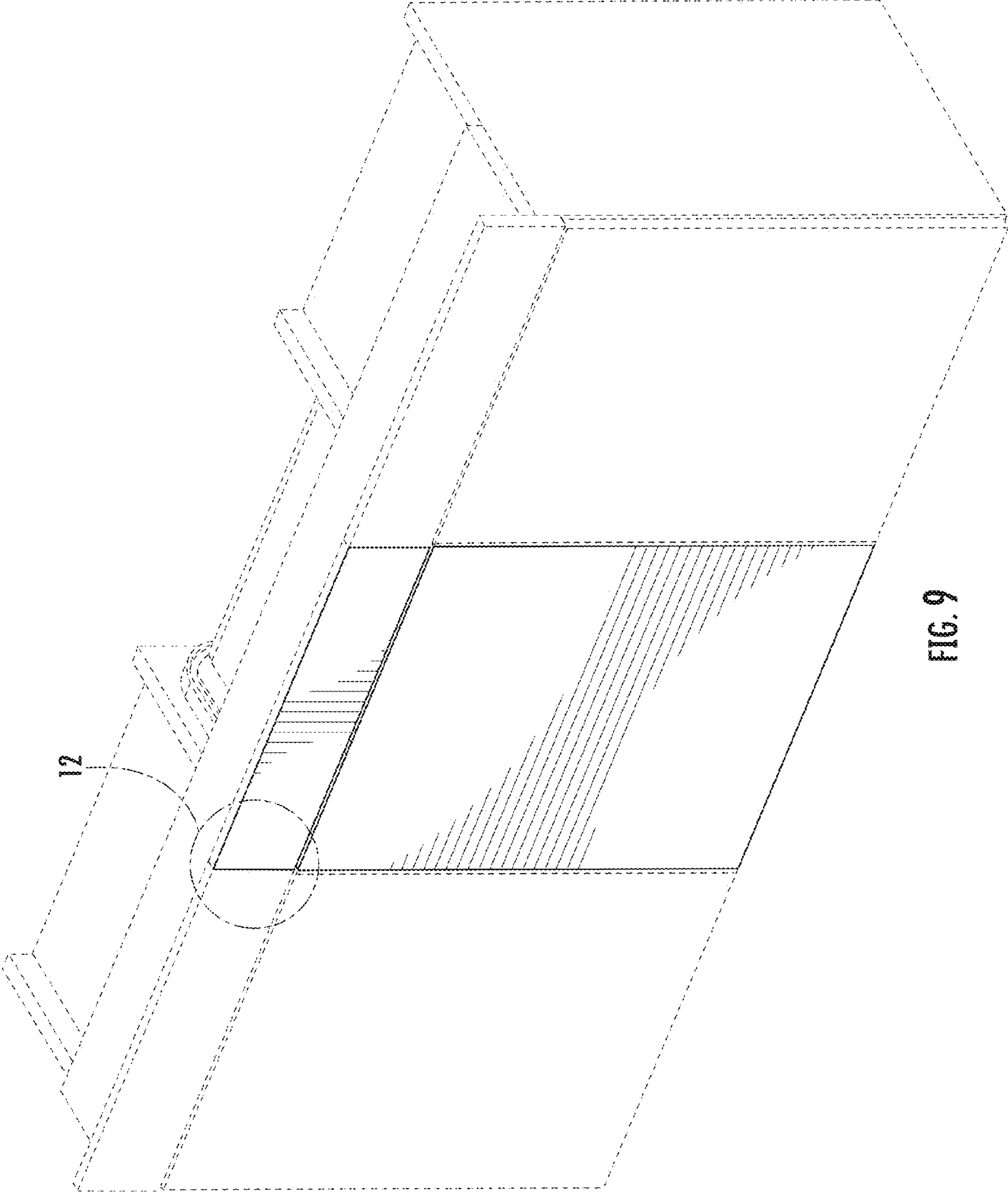


FIG. 9

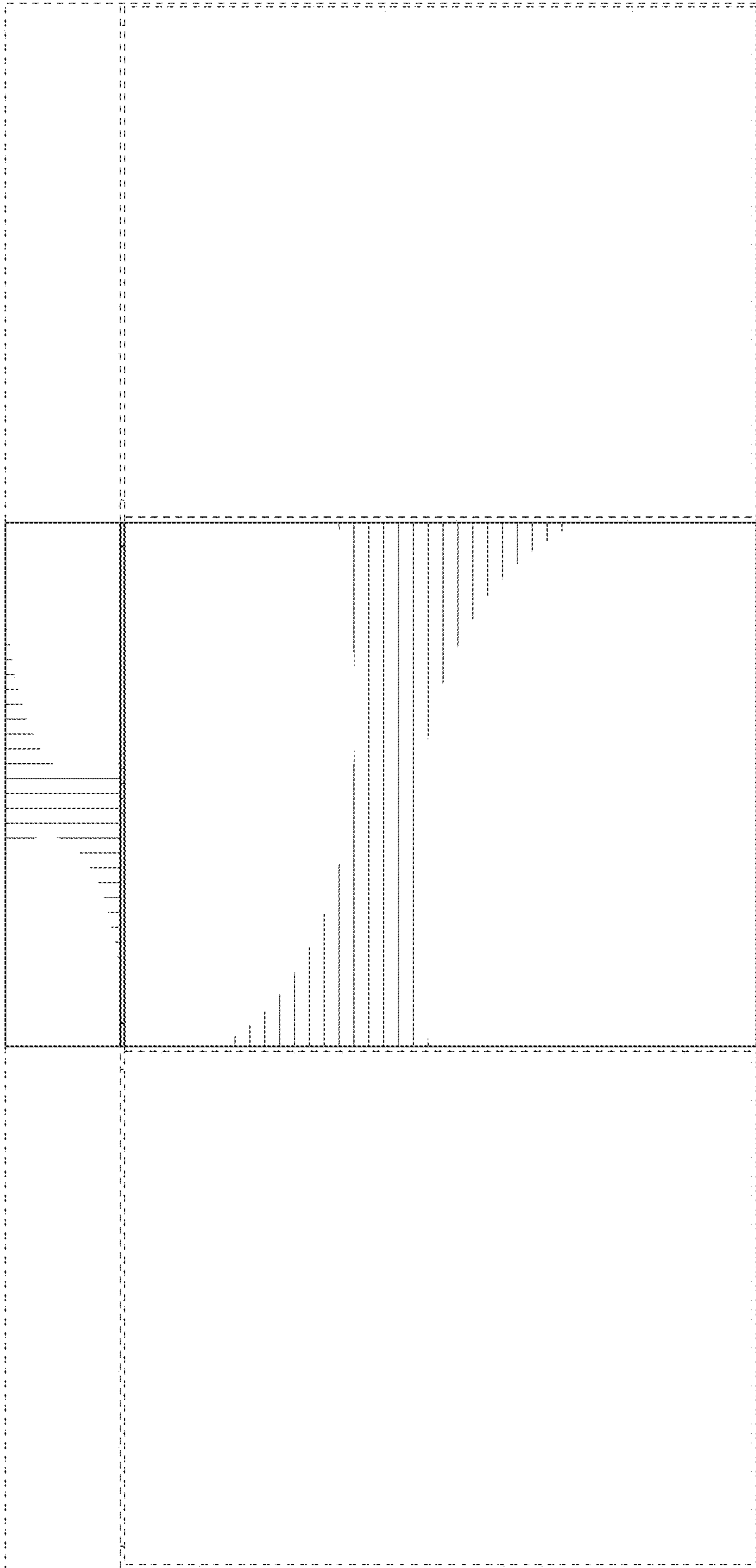


FIG. 10



FIG. 11

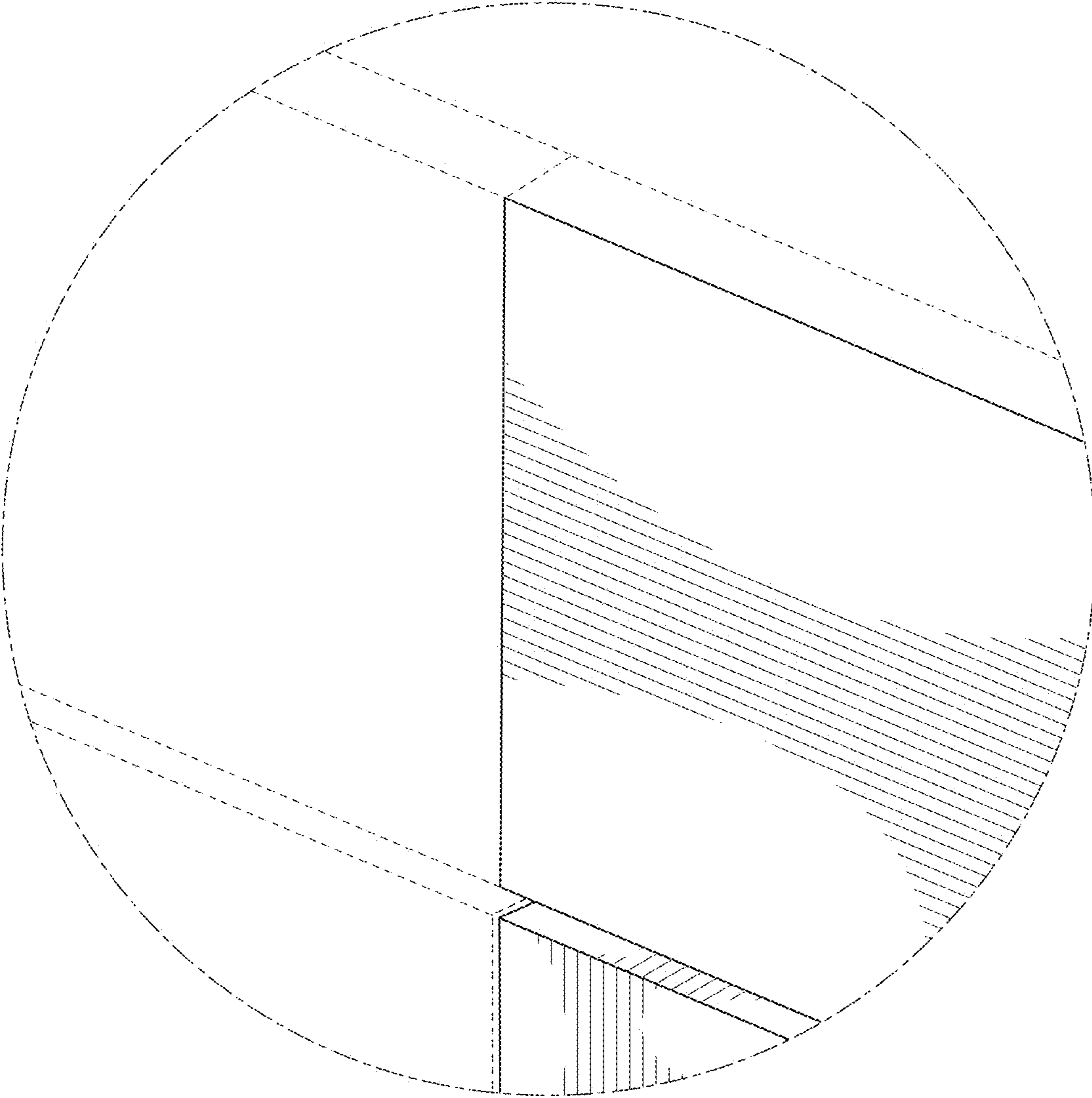


FIG. 12

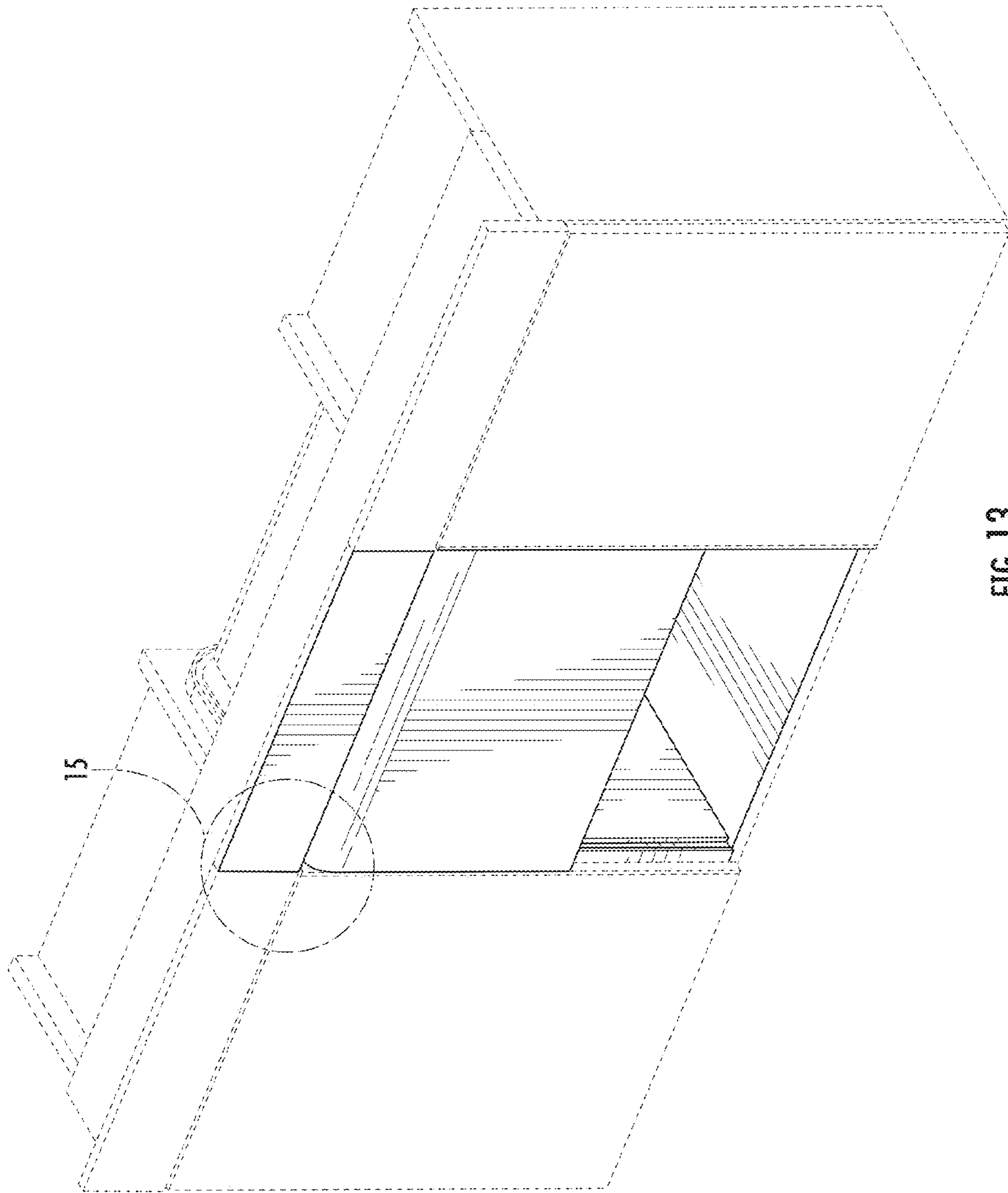


FIG. 13



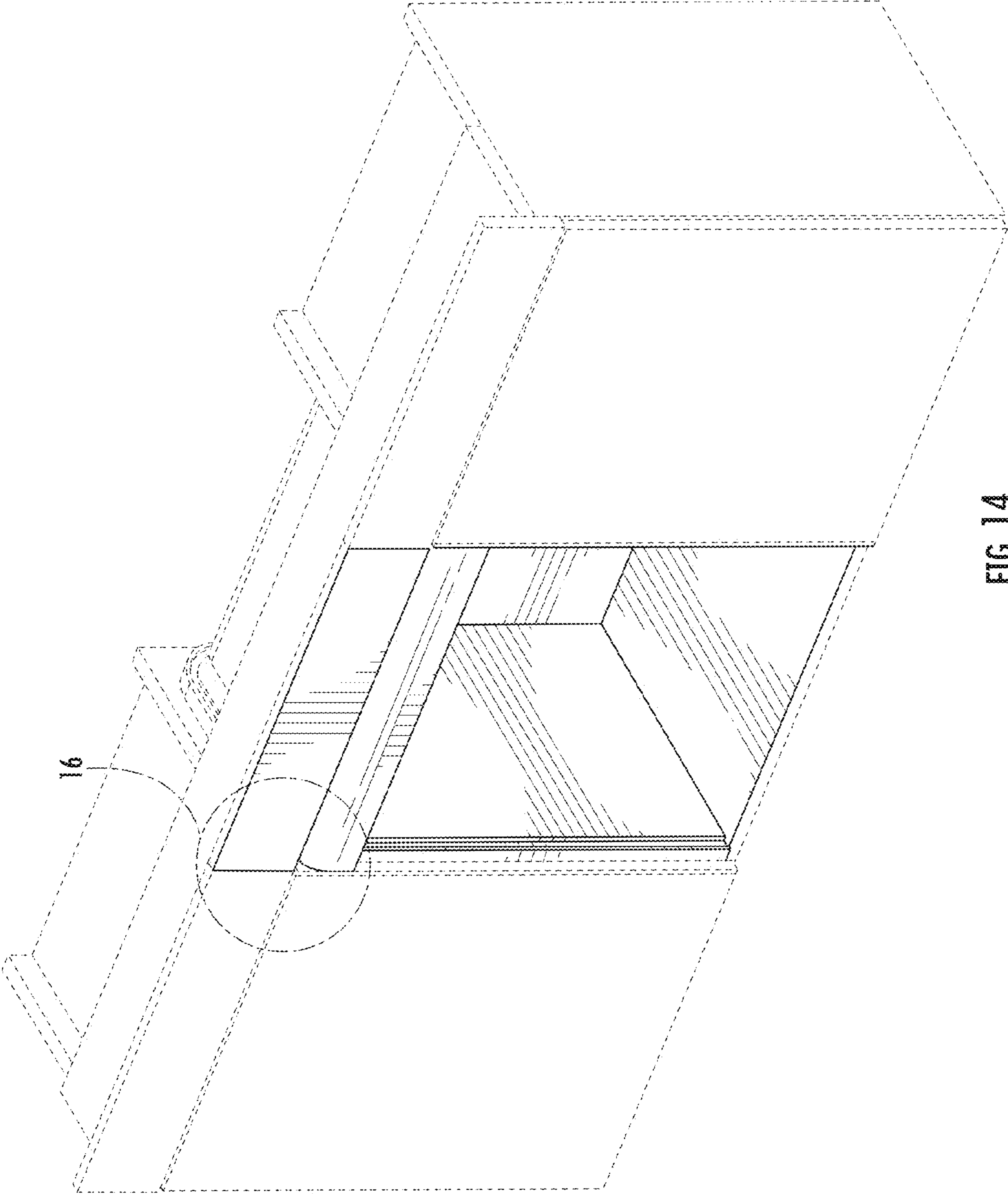


FIG. 14

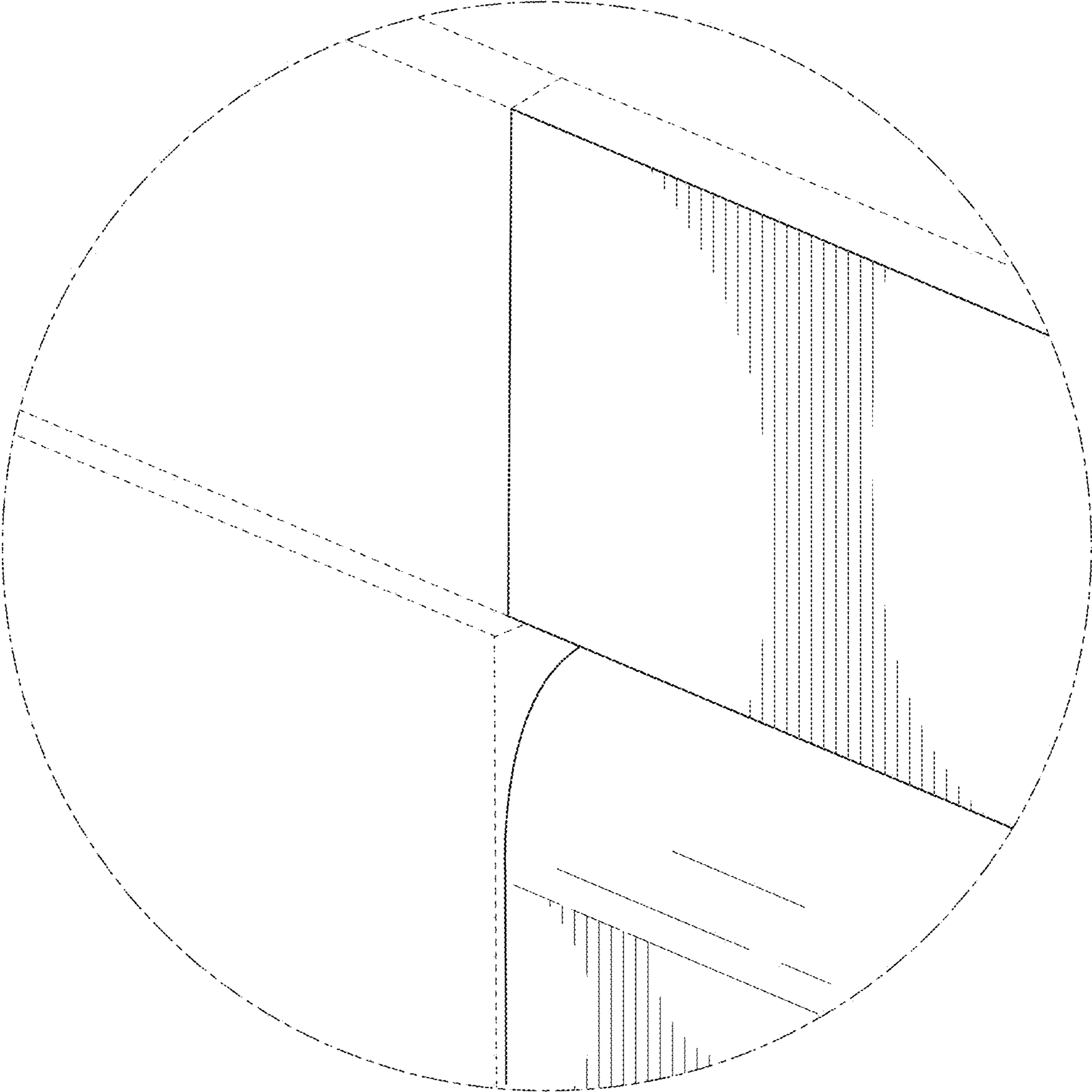


FIG. 15

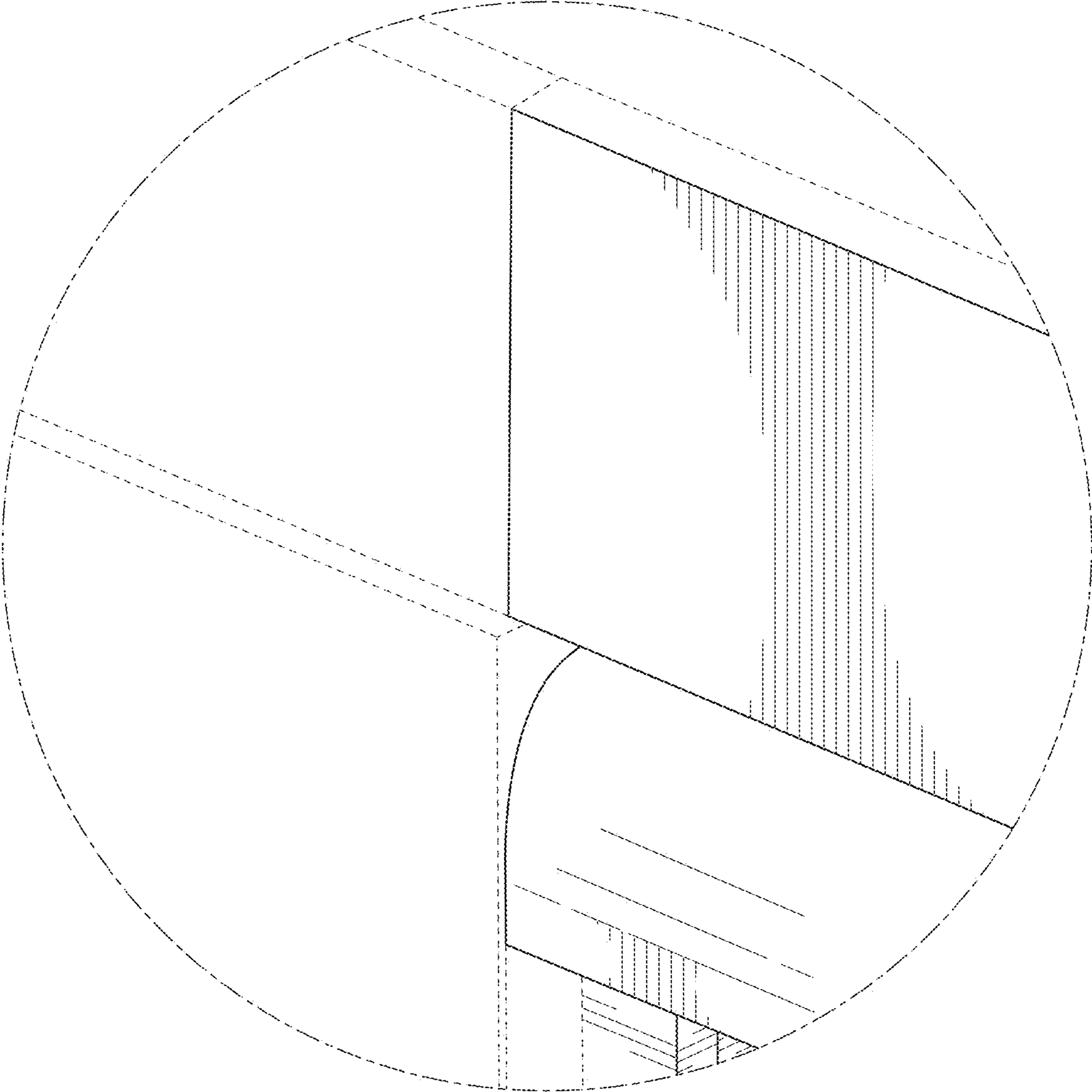


FIG. 16

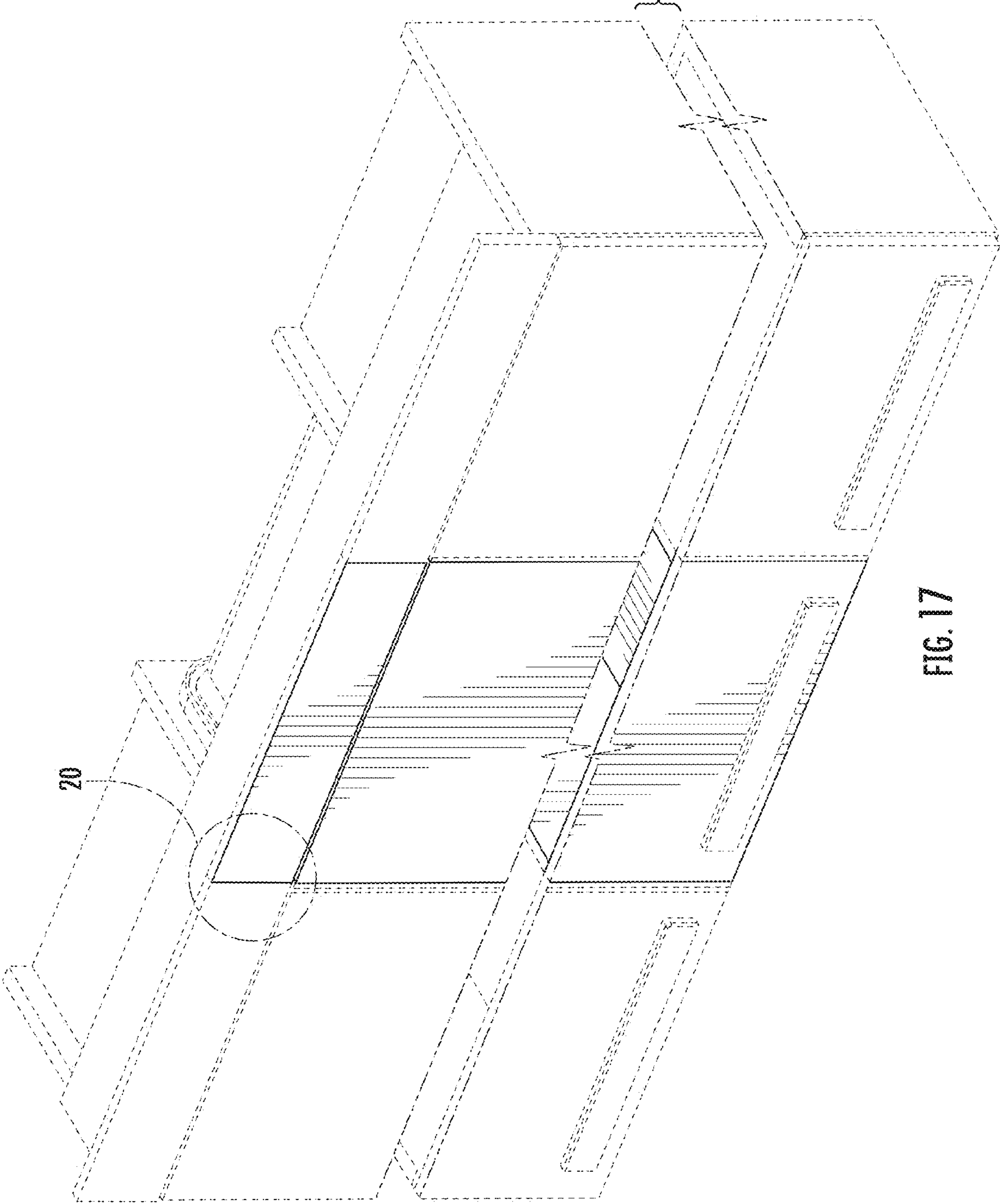


FIG. 17

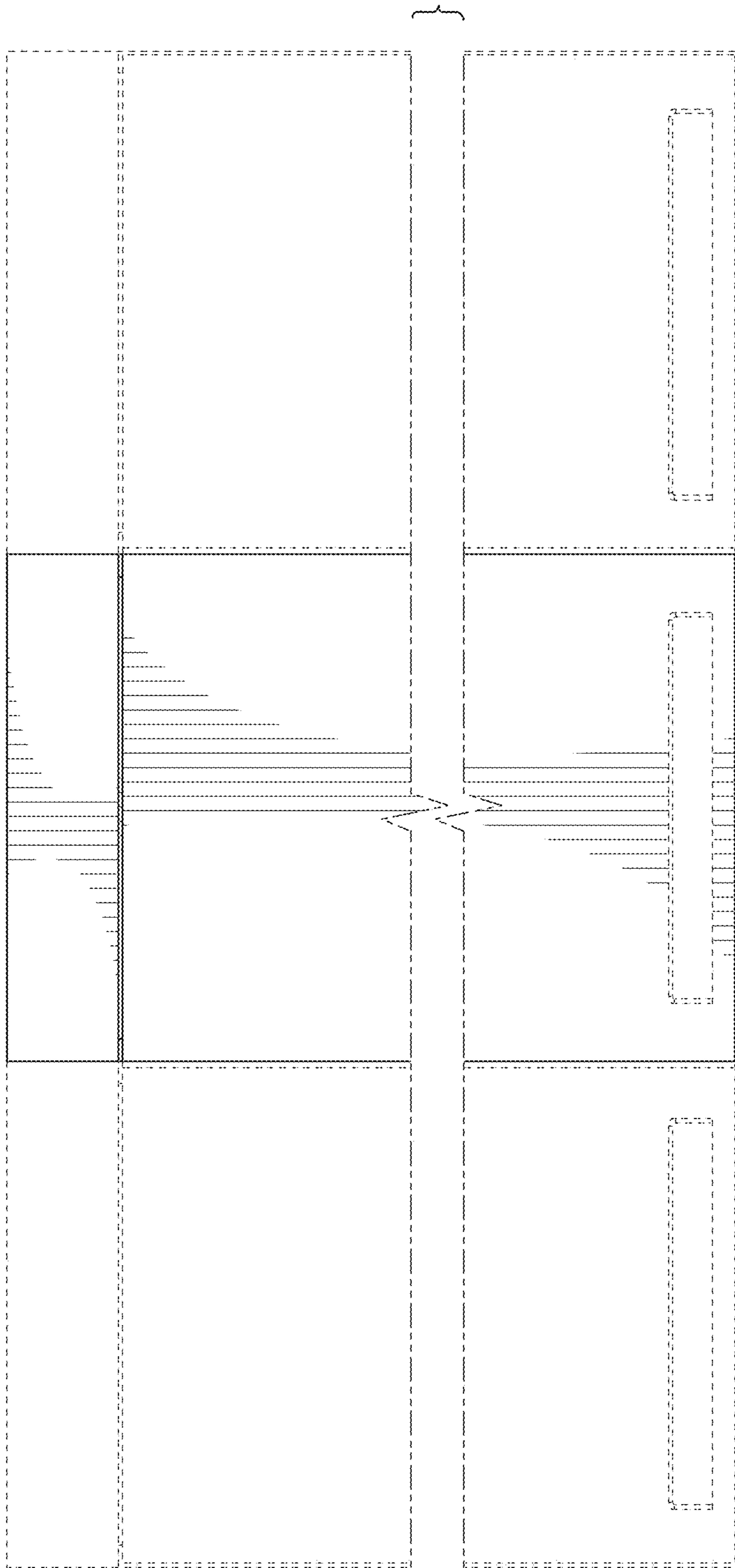


FIG. 18

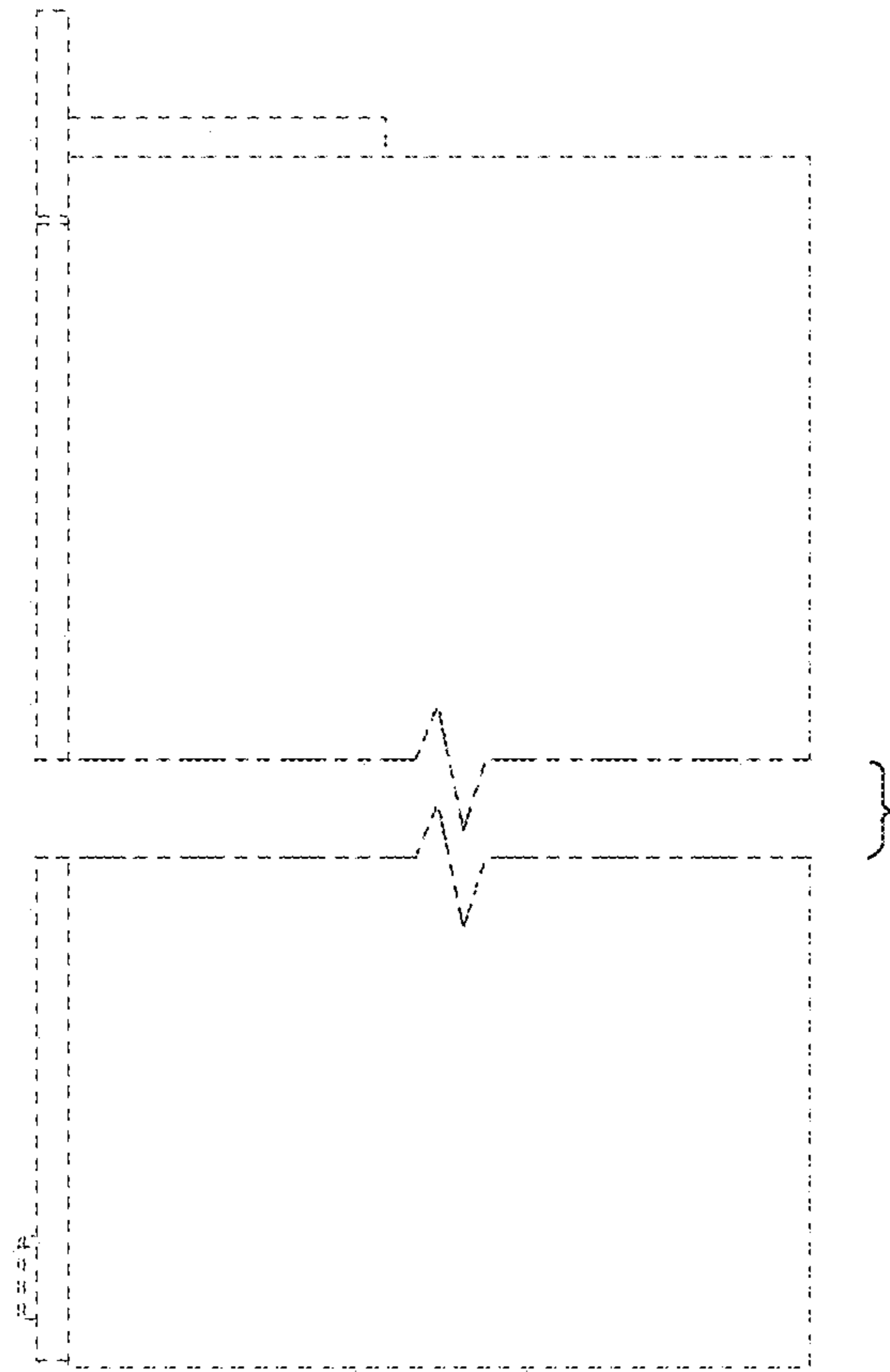


FIG. 19

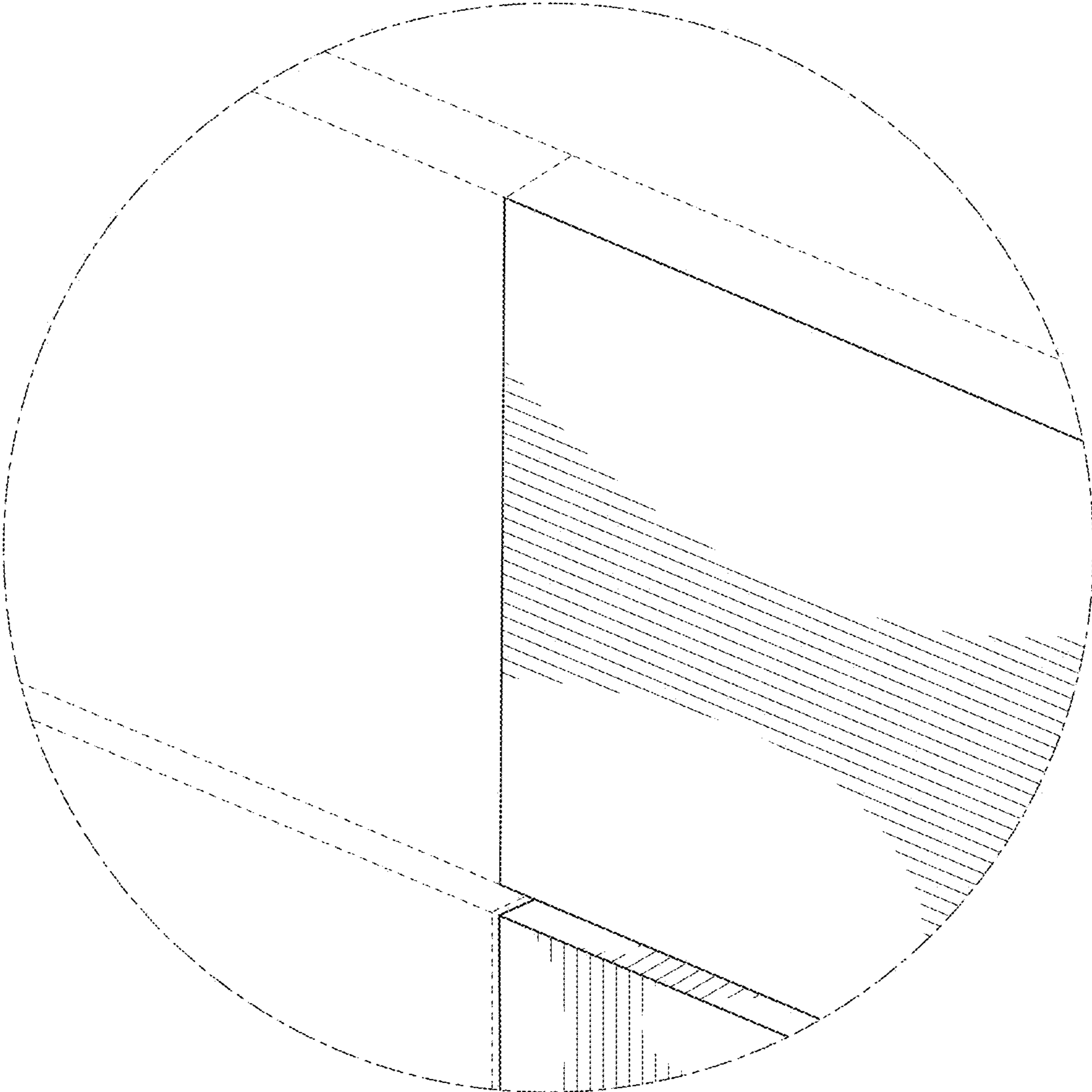


FIG. 20

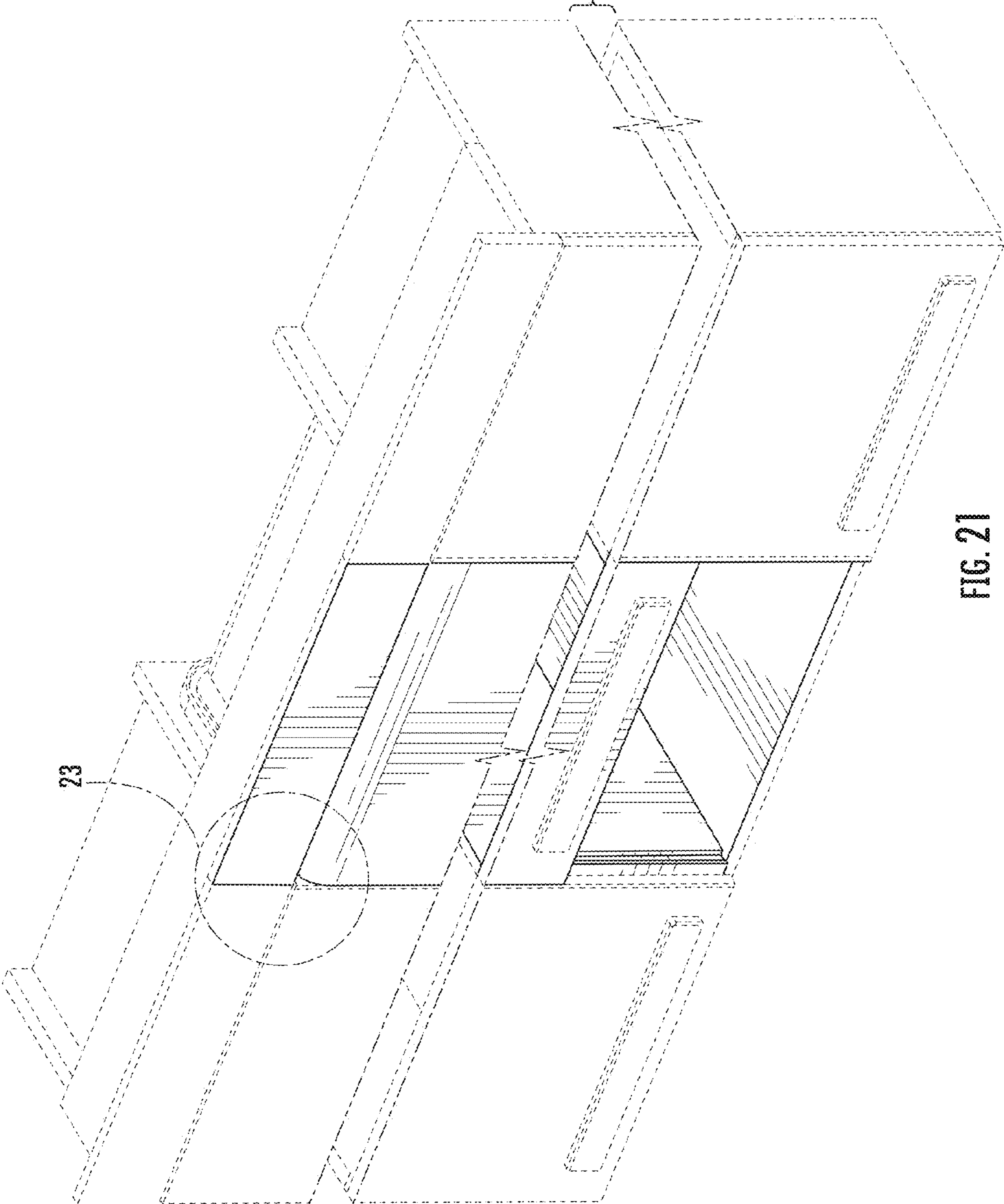


FIG. 21



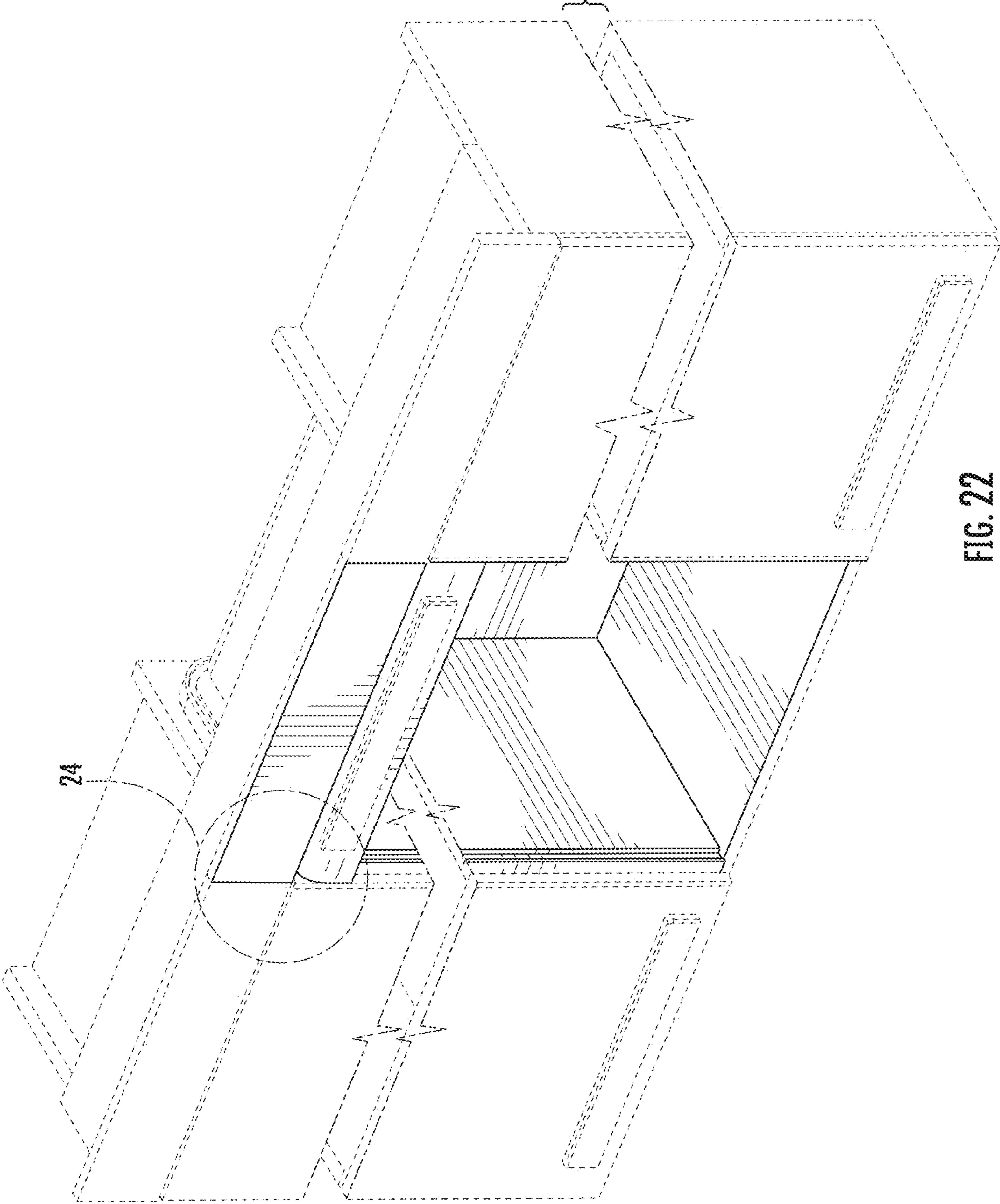


FIG. 22

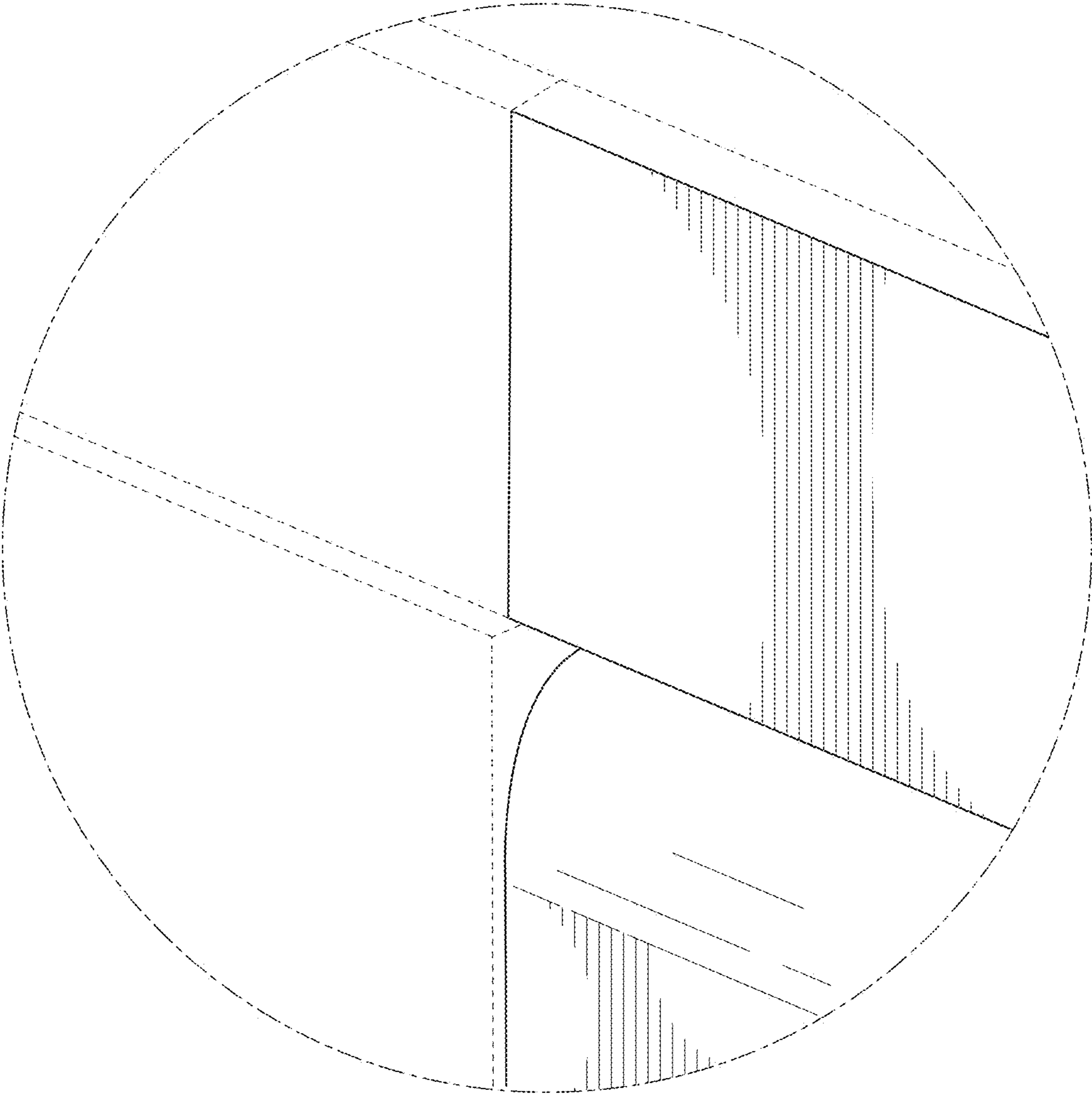


FIG. 23

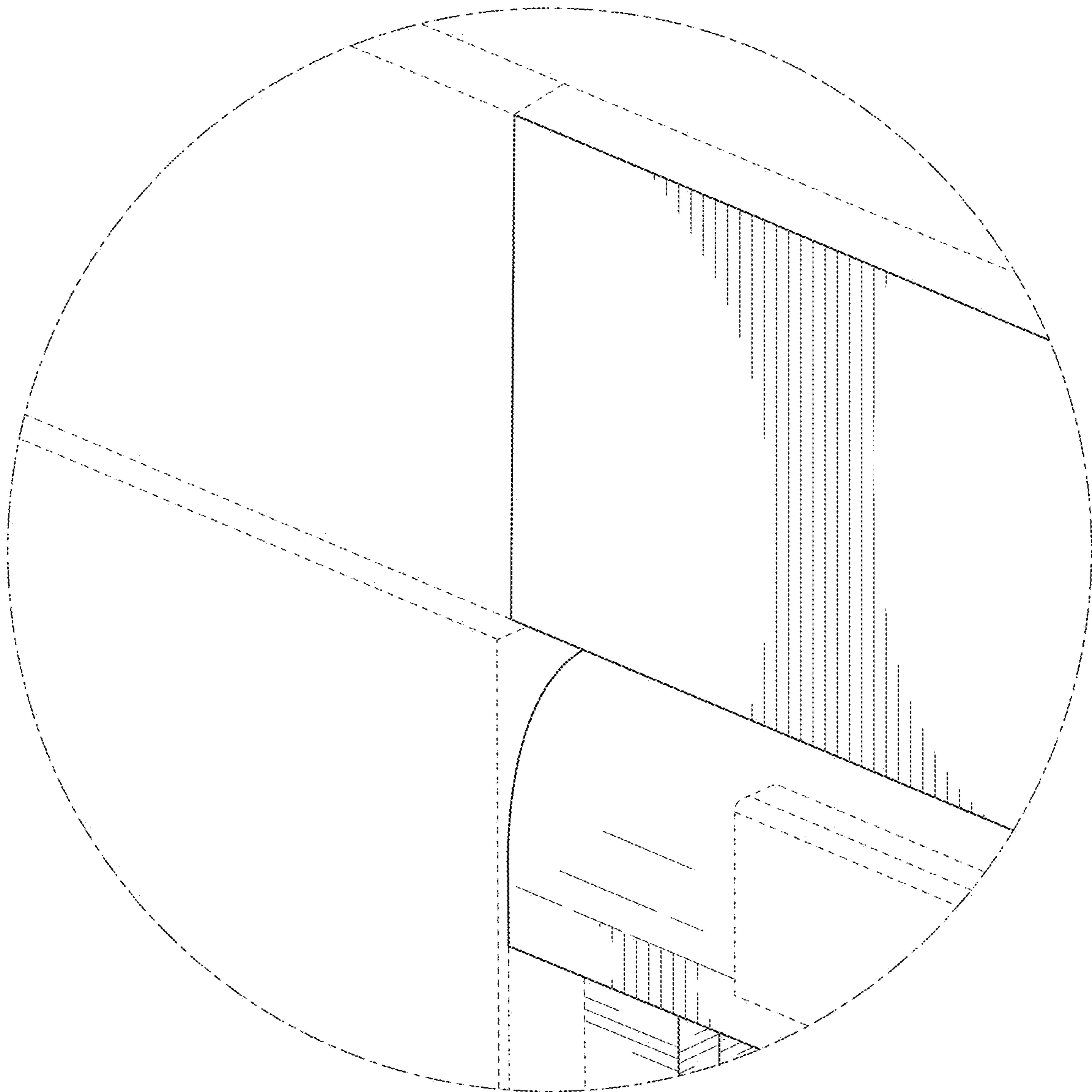


FIG. 24

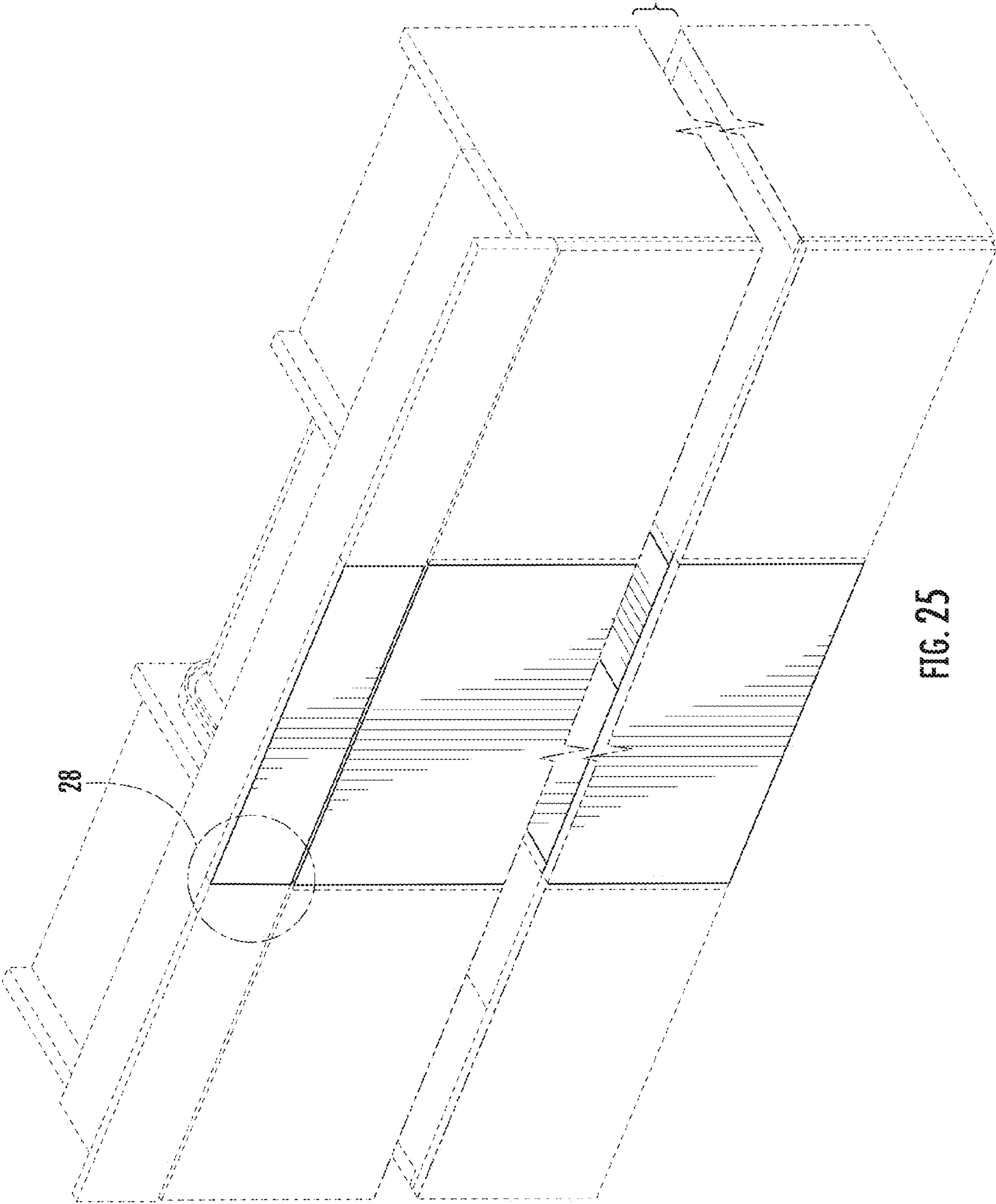


FIG. 25

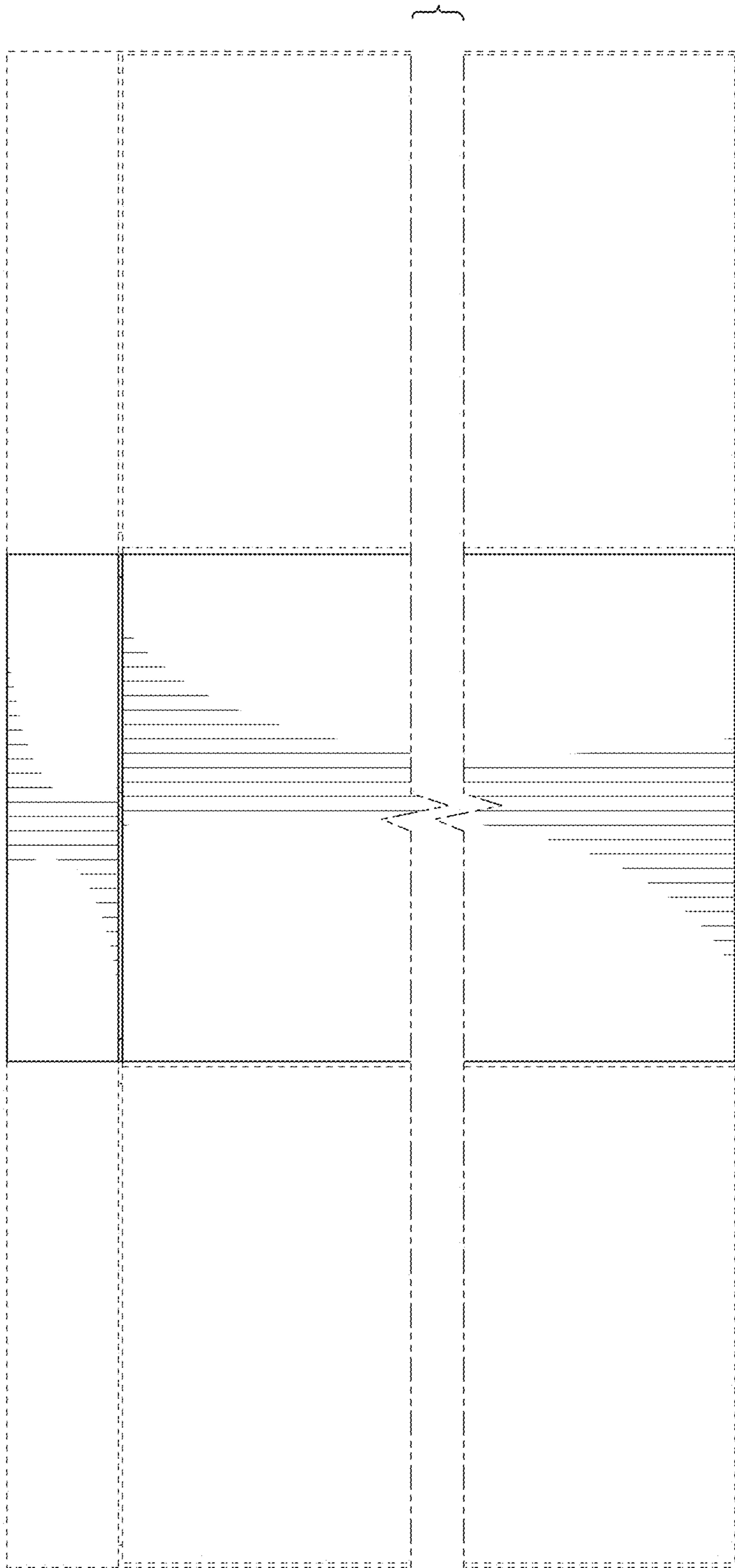


FIG. 26

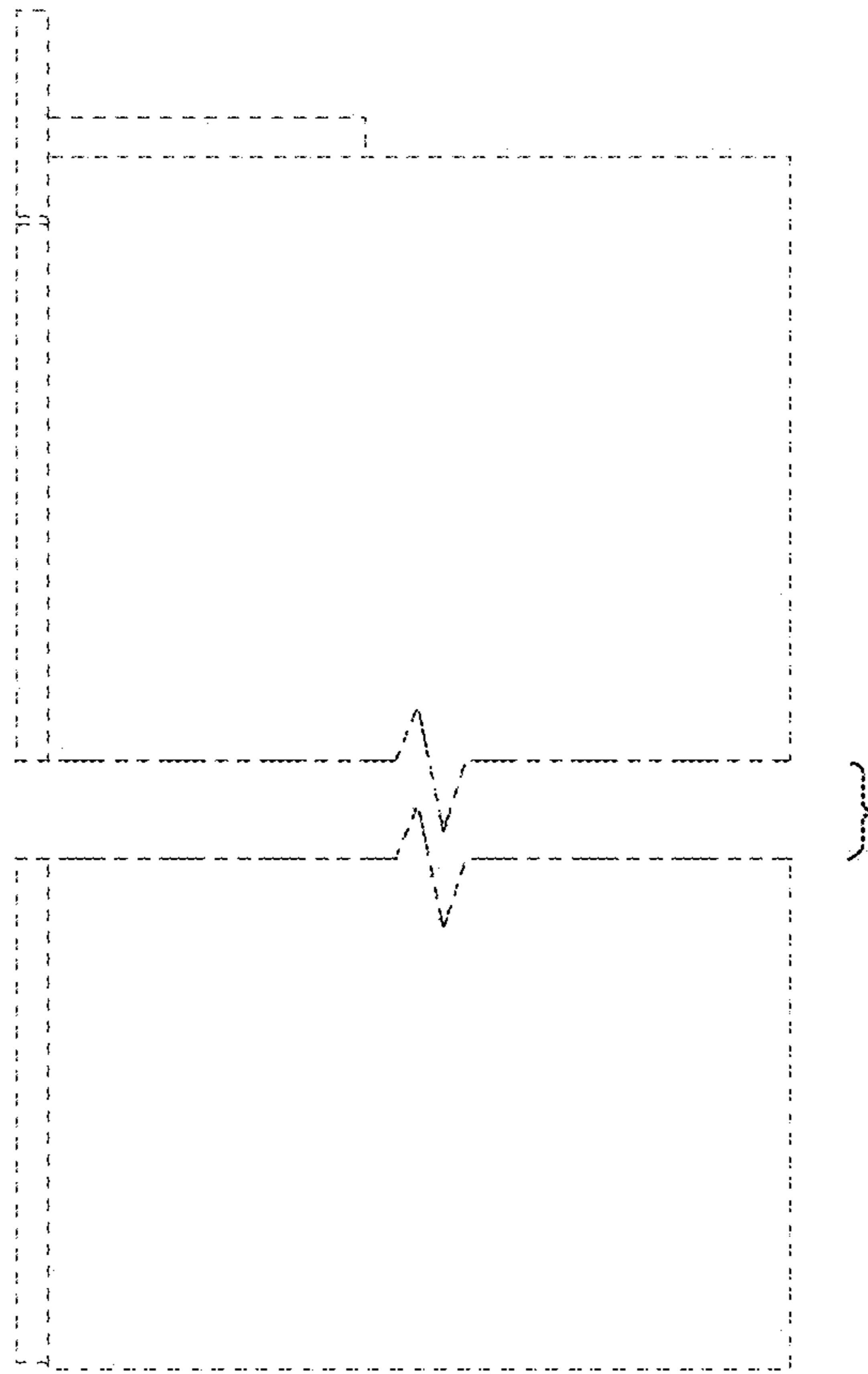


FIG. 27

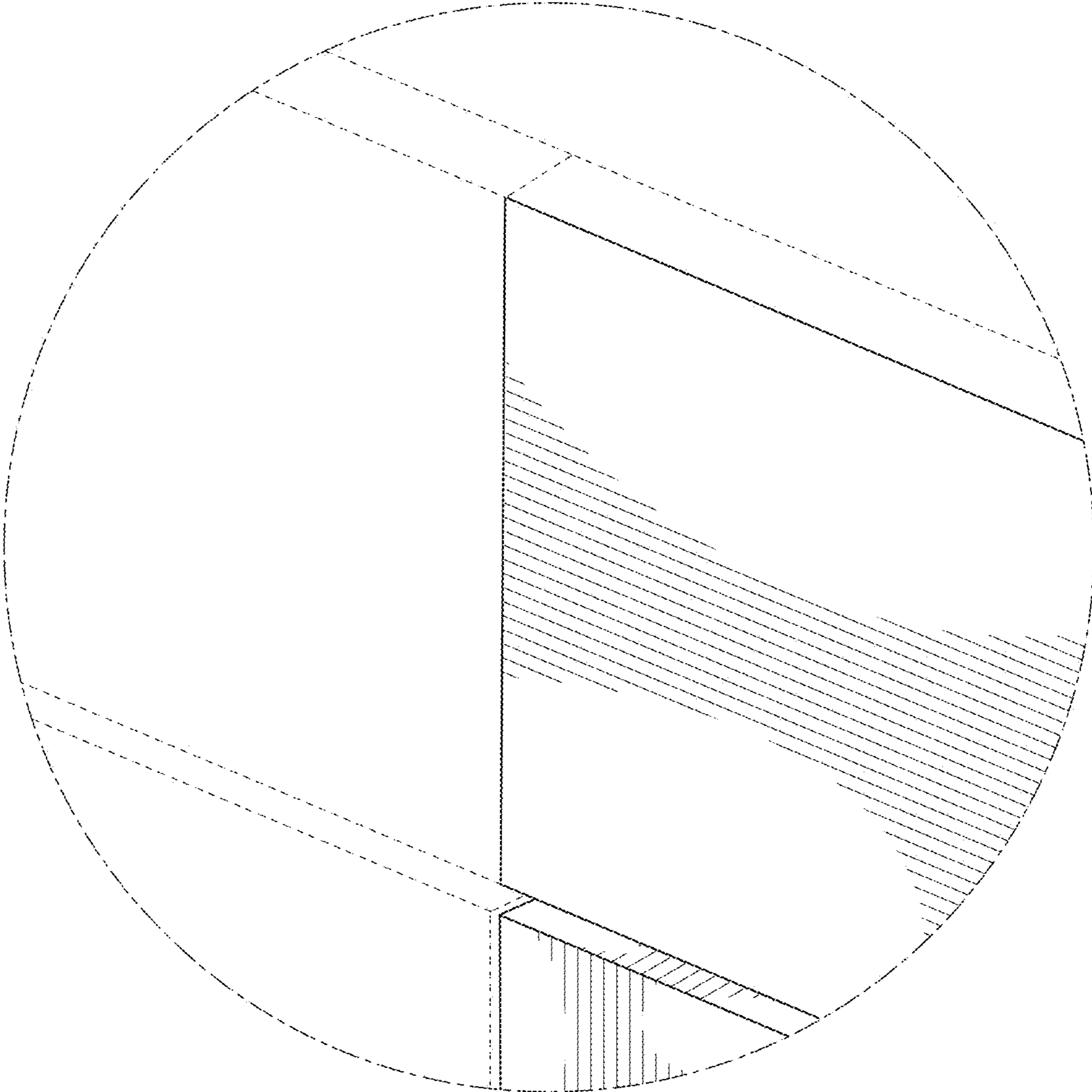


FIG. 28

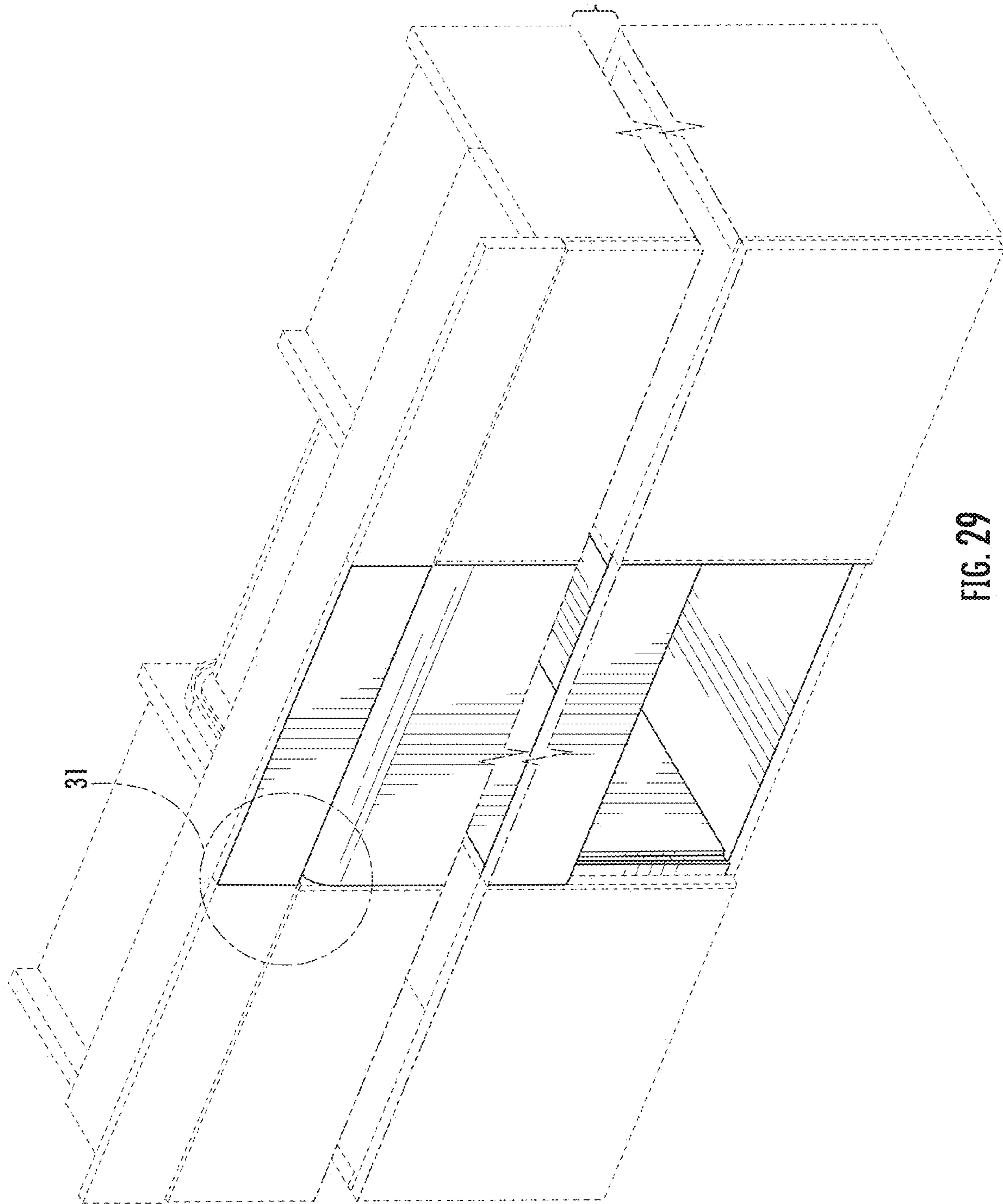


FIG. 29



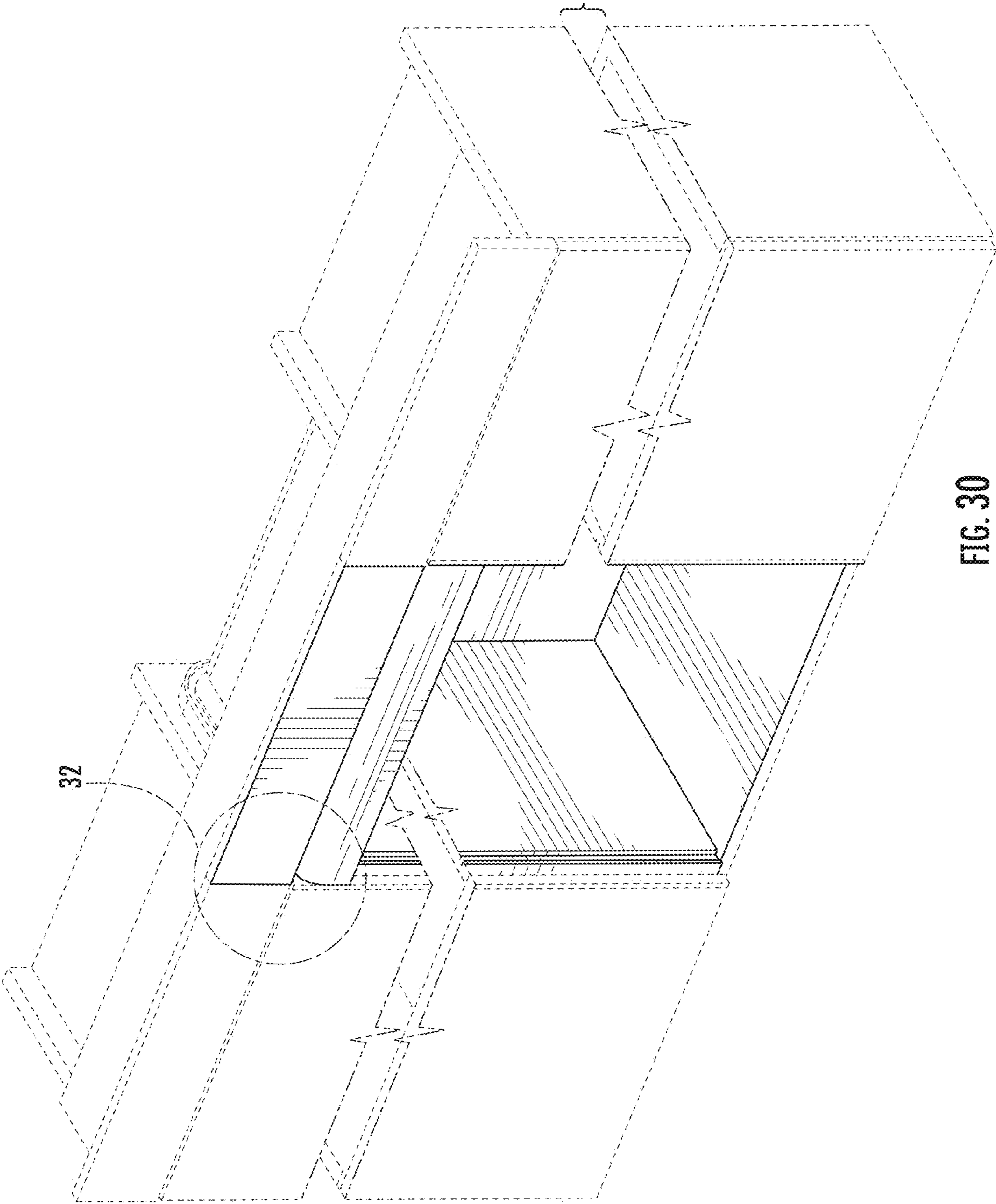


FIG. 30

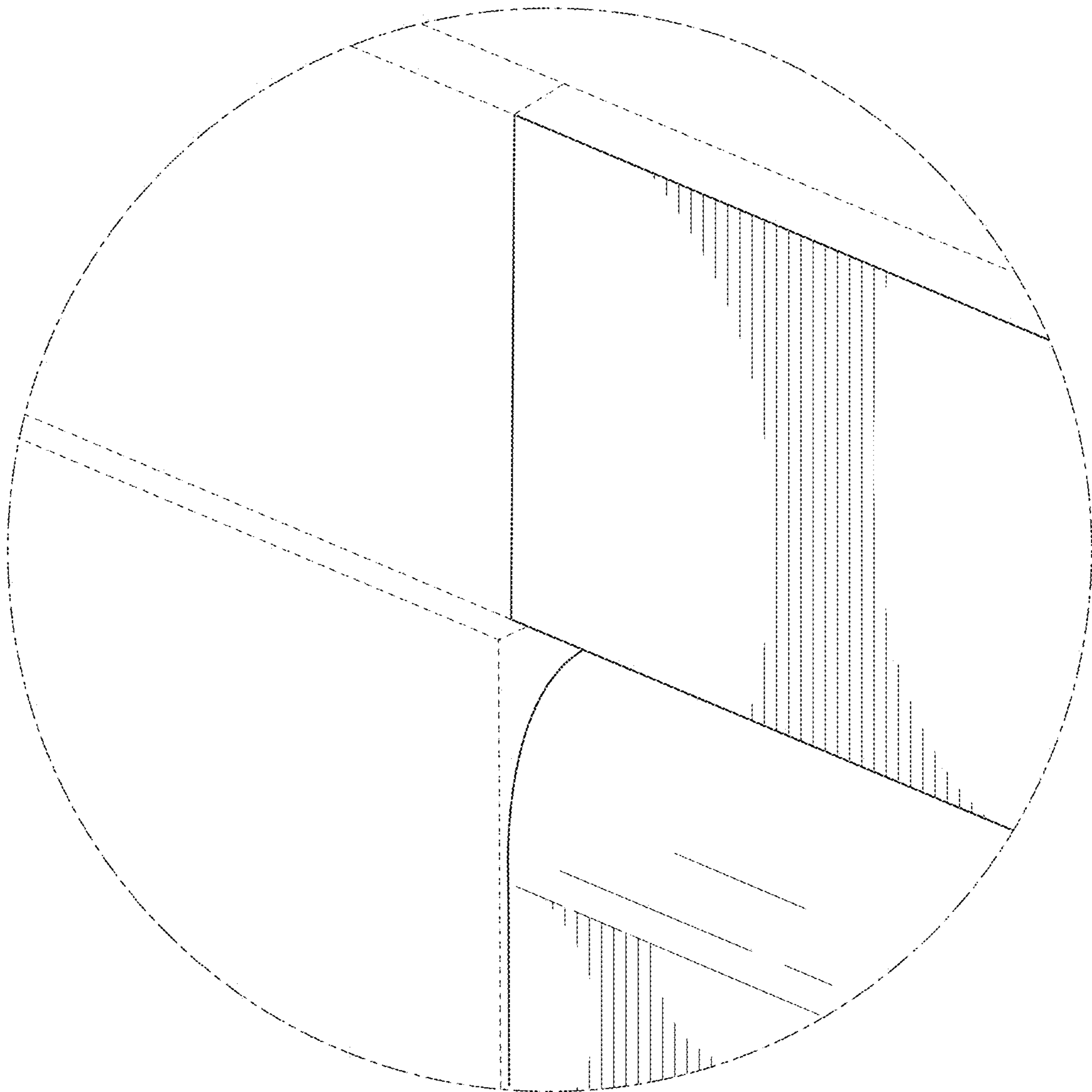


FIG. 31

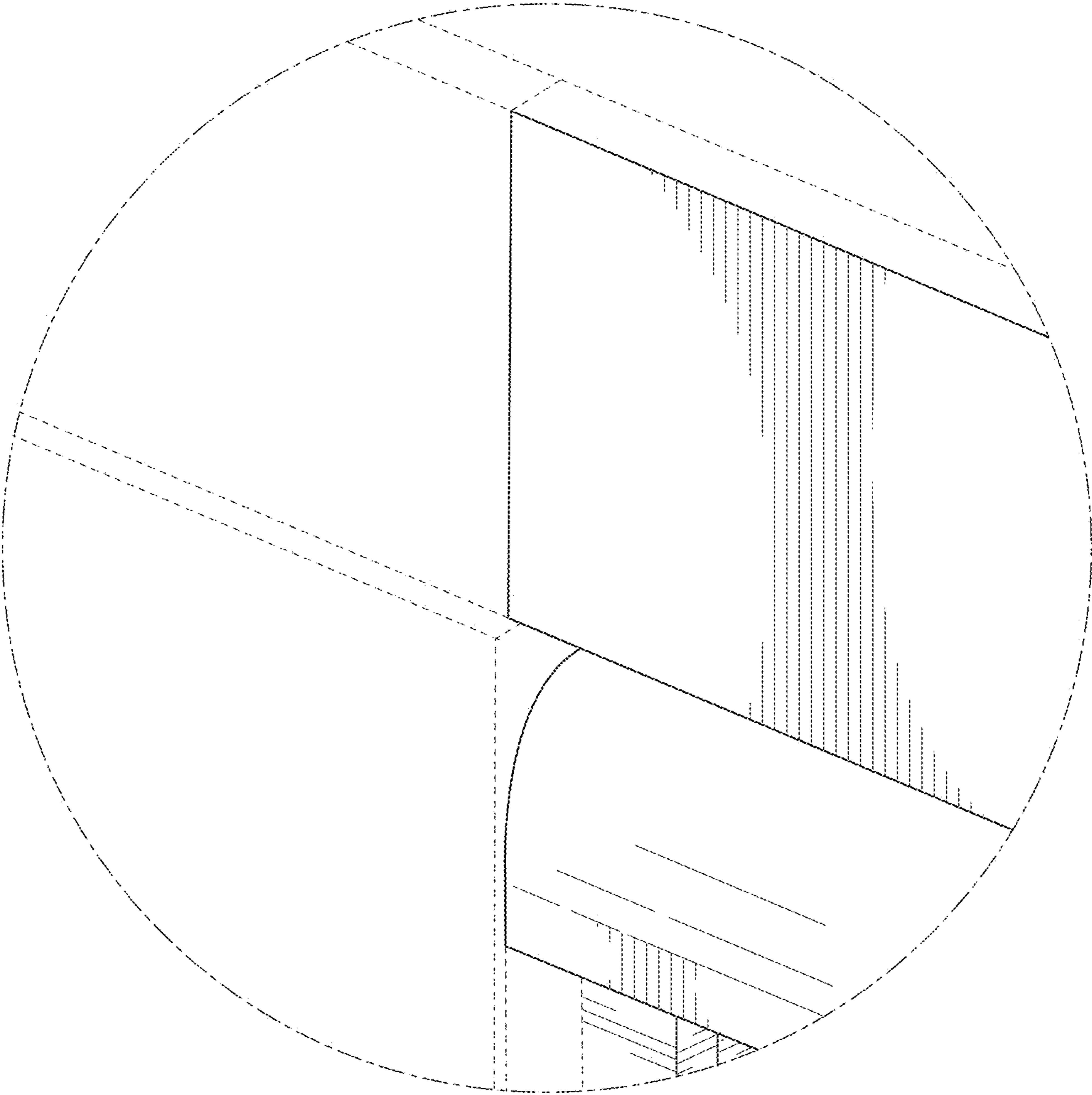


FIG. 32

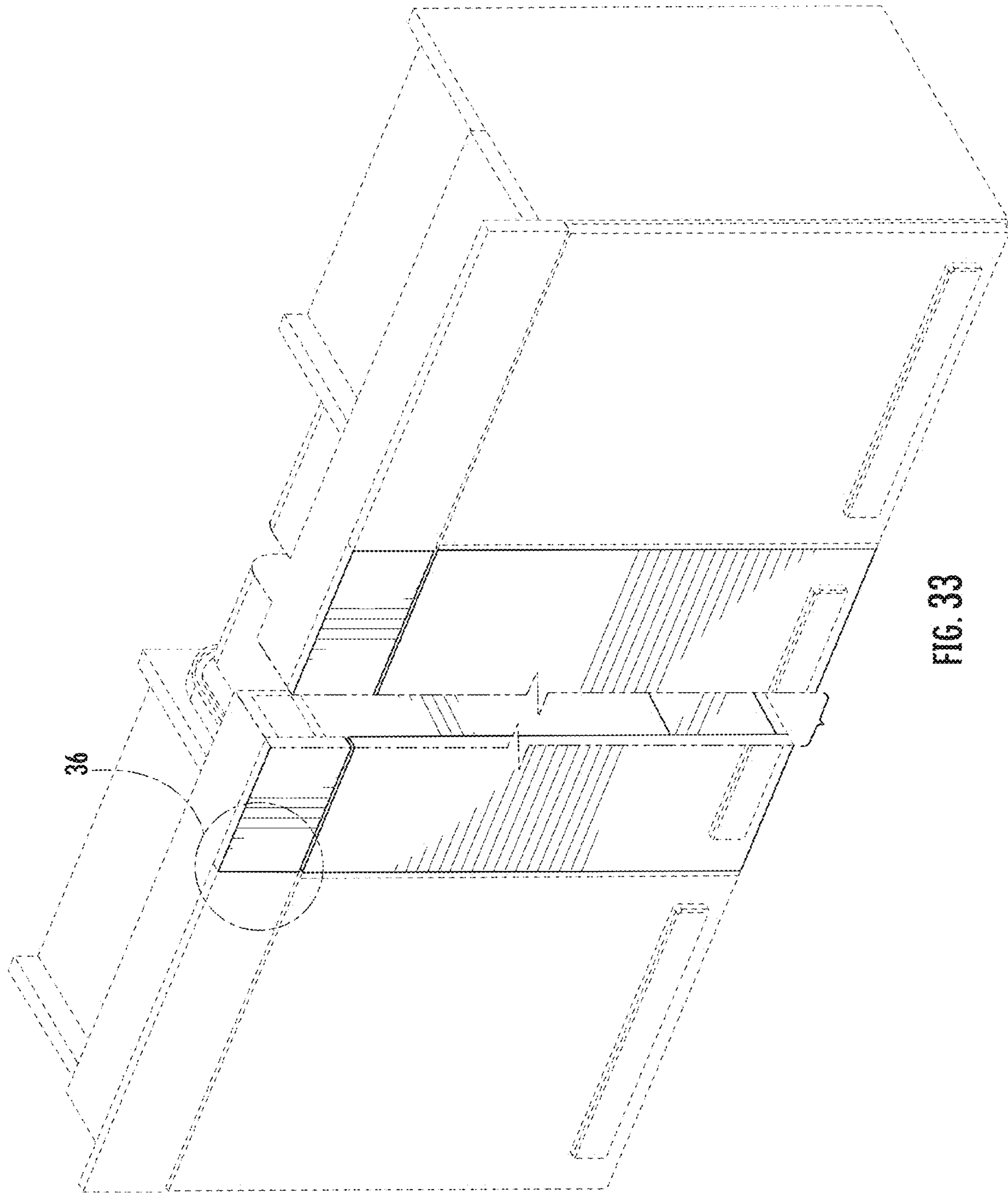


FIG. 33

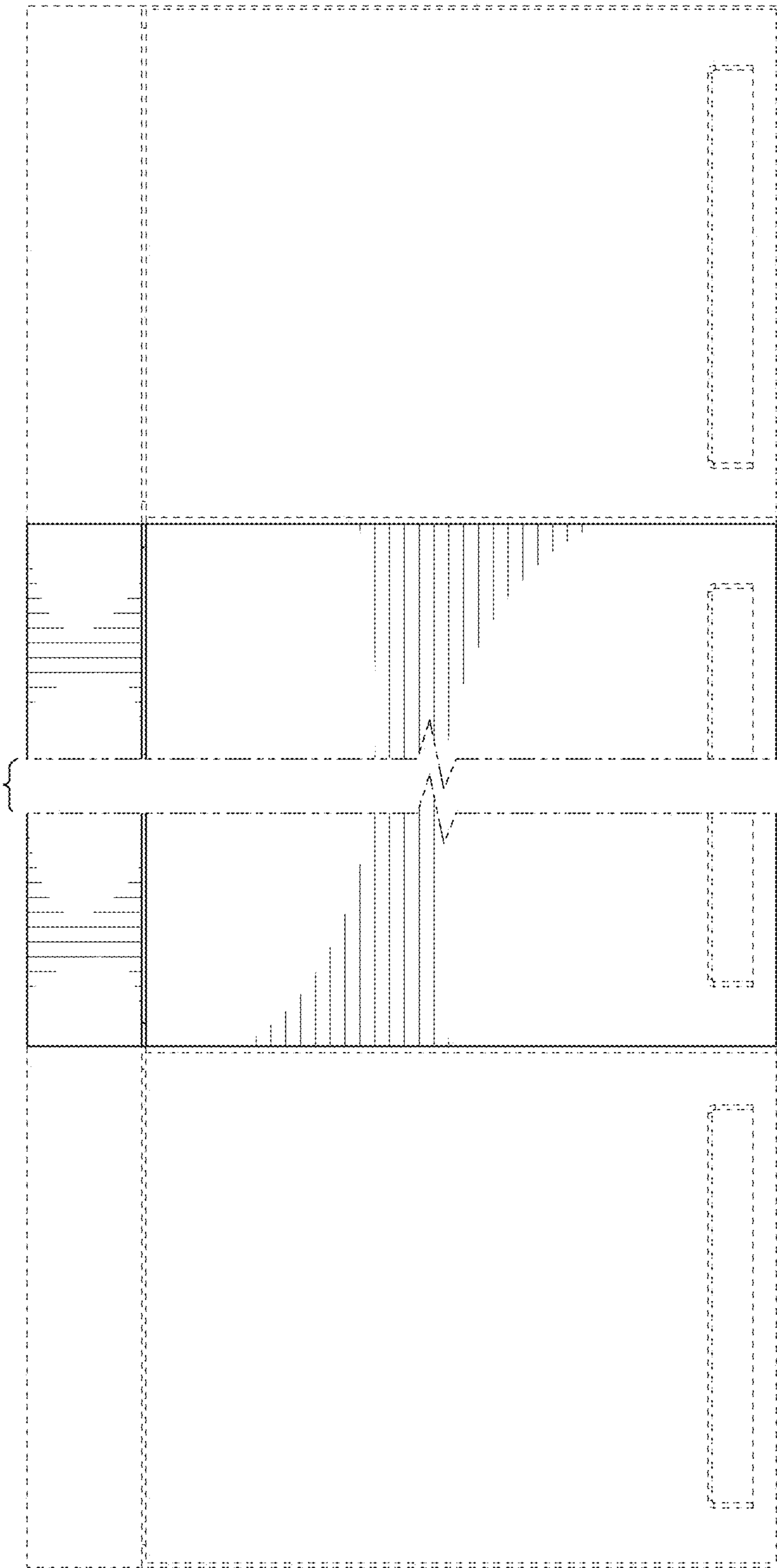


FIG. 34

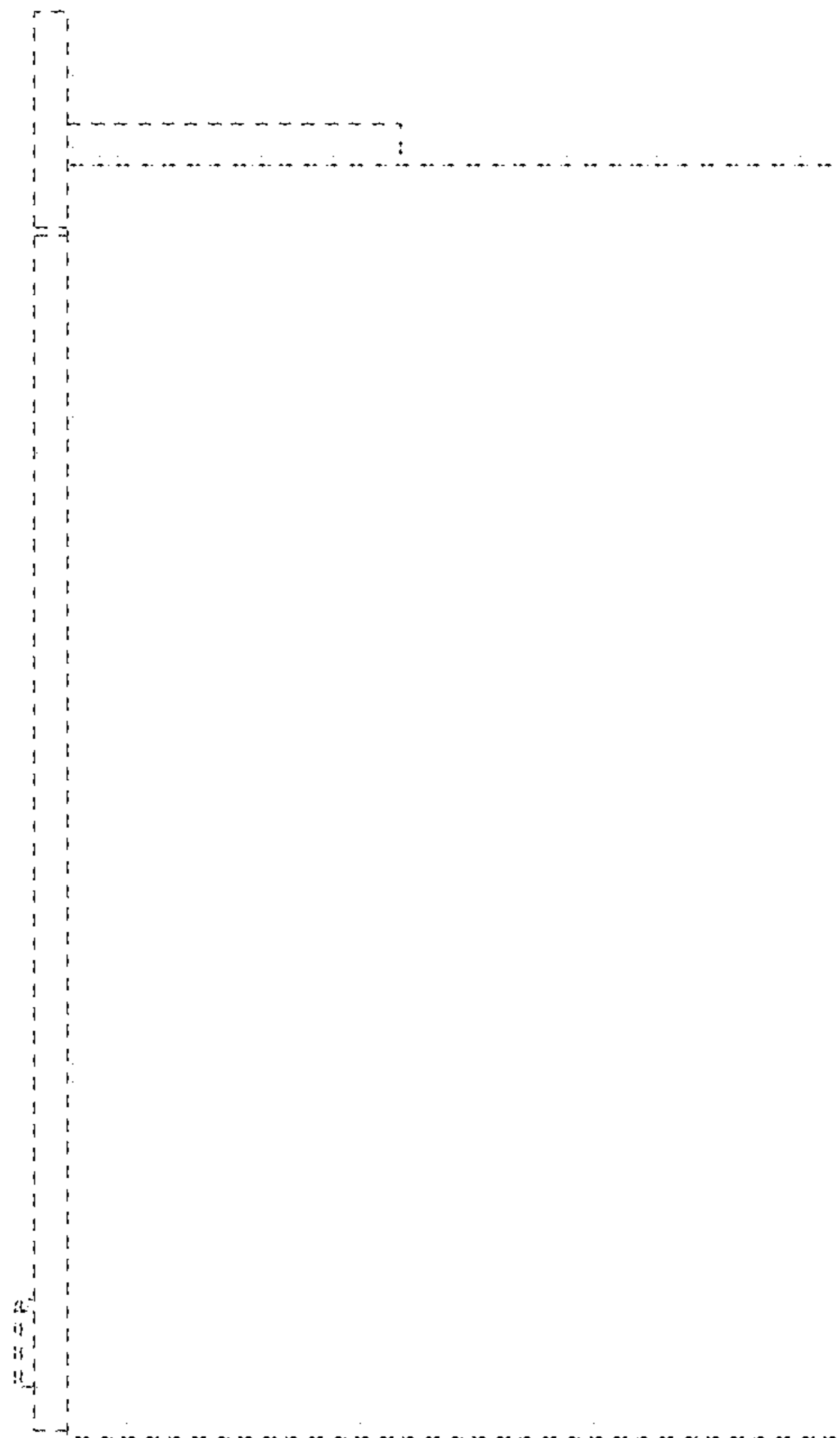


FIG. 35

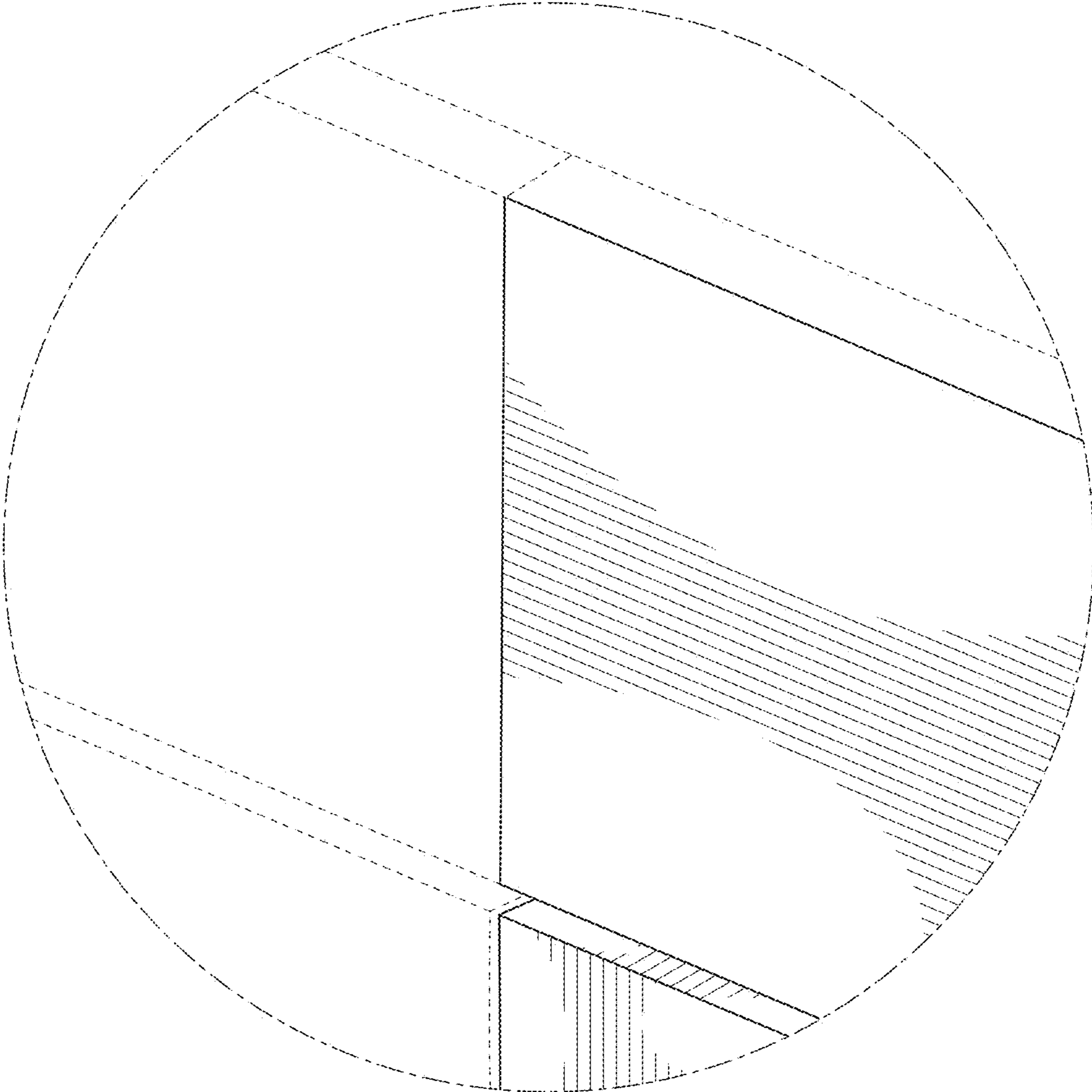


FIG. 36

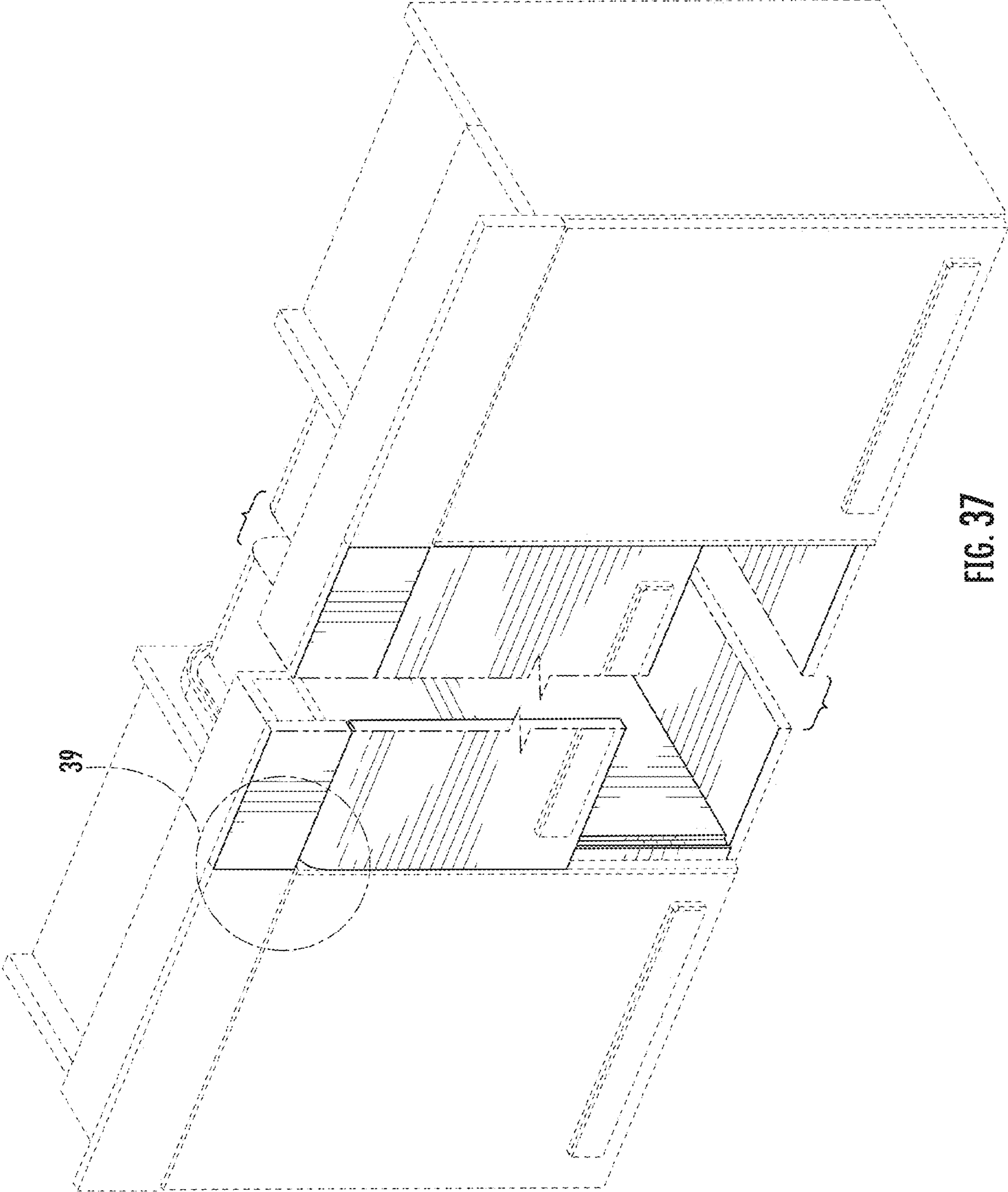


FIG. 37



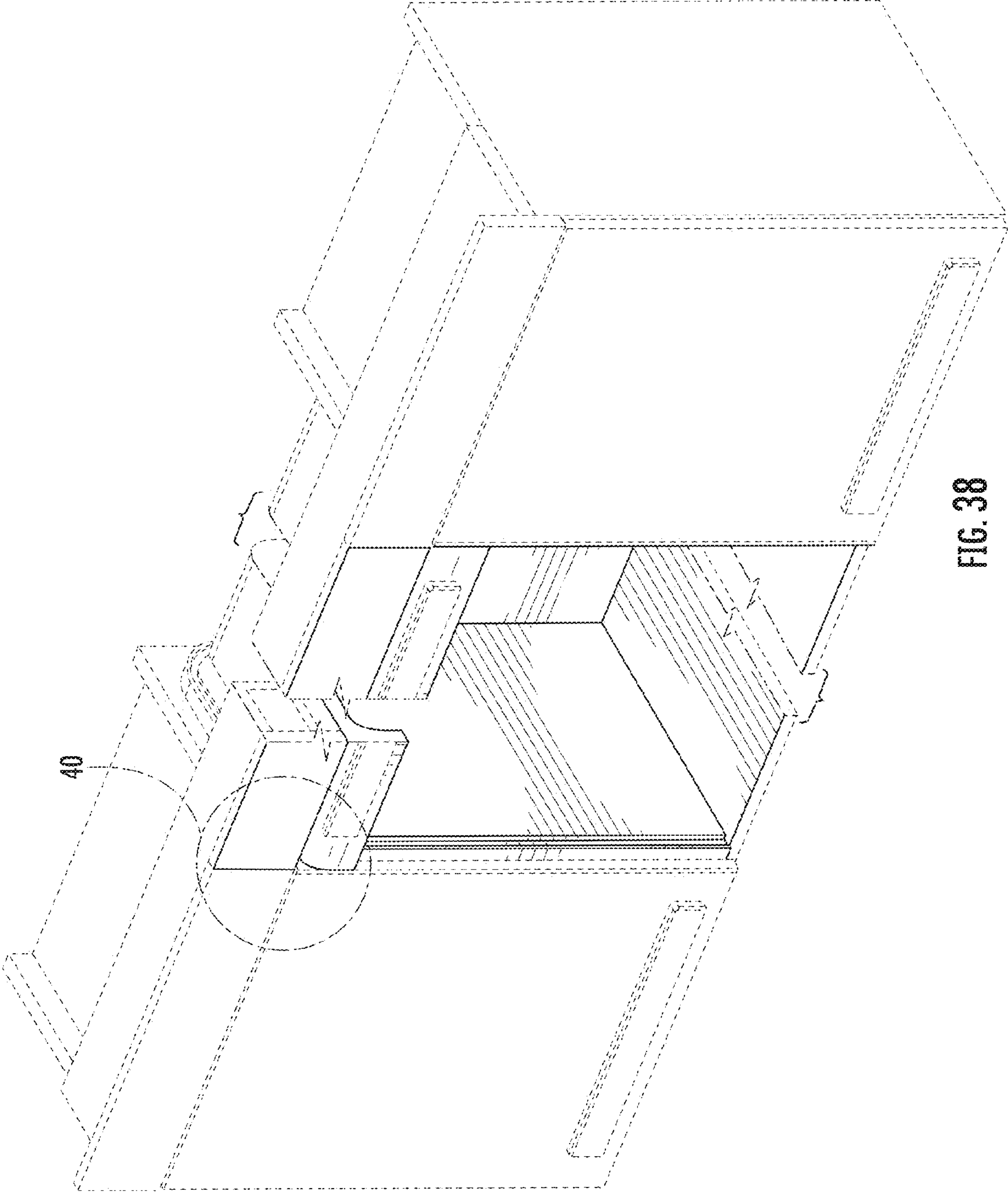


FIG. 38

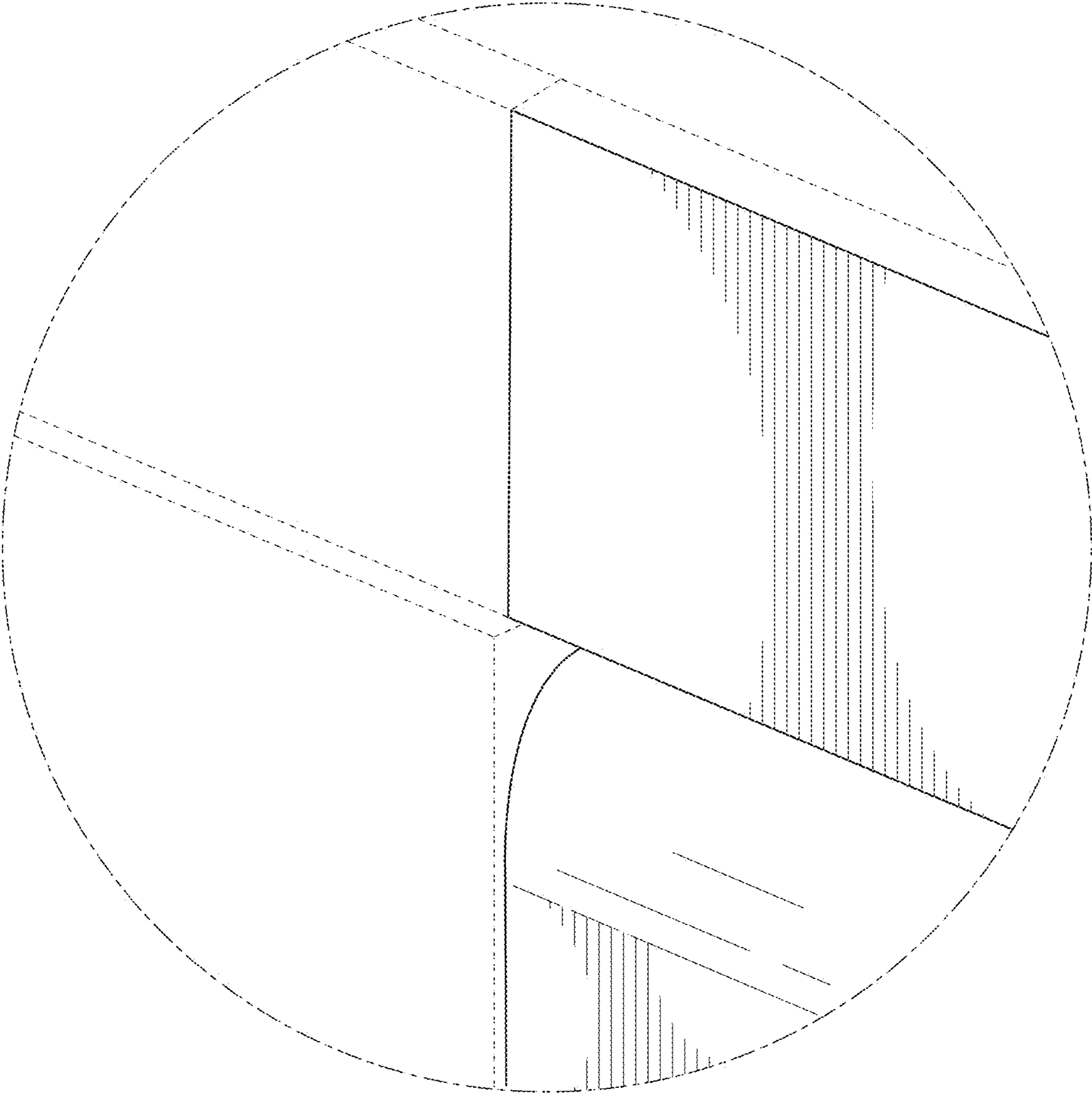


FIG. 39

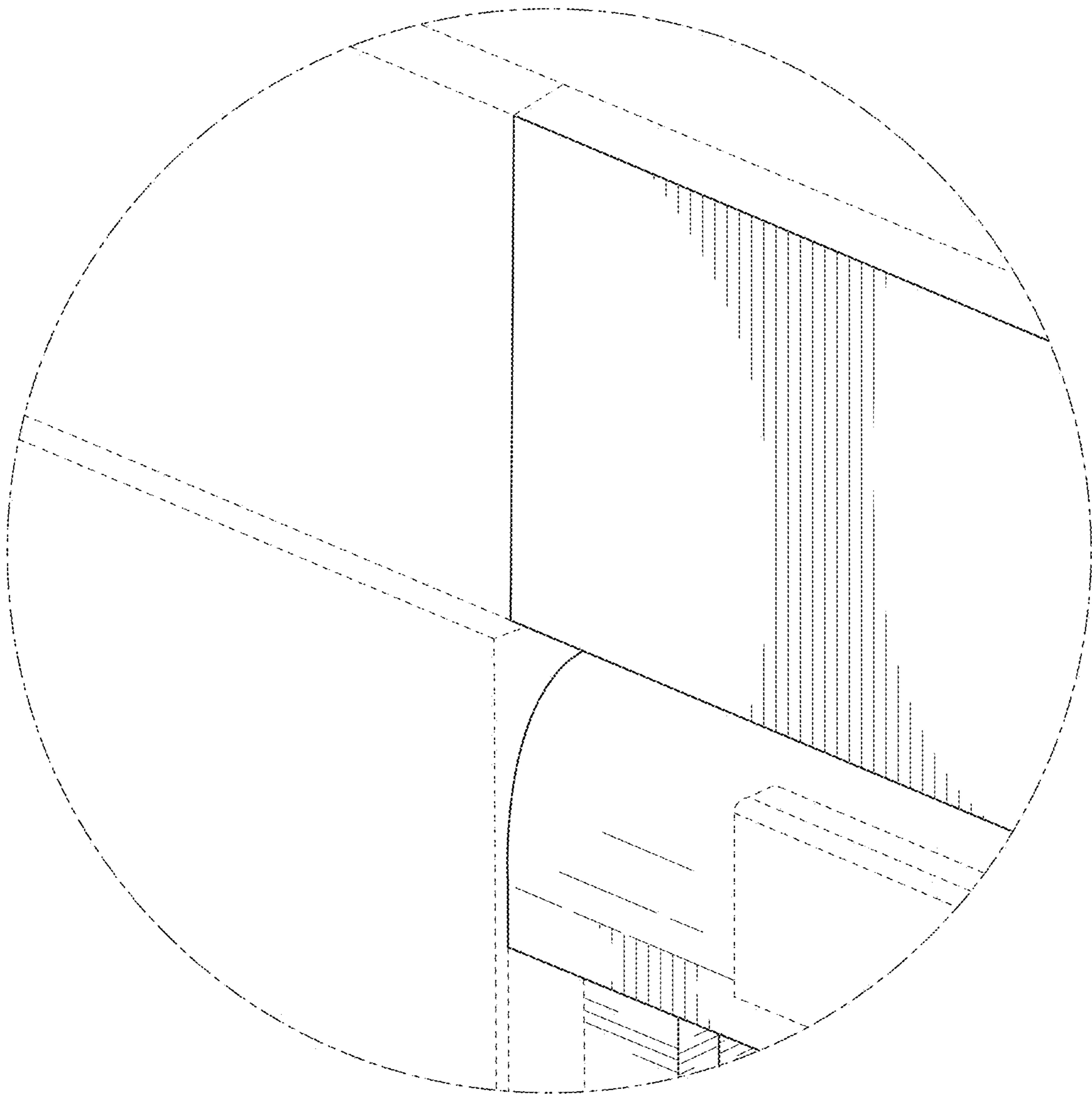


FIG. 40

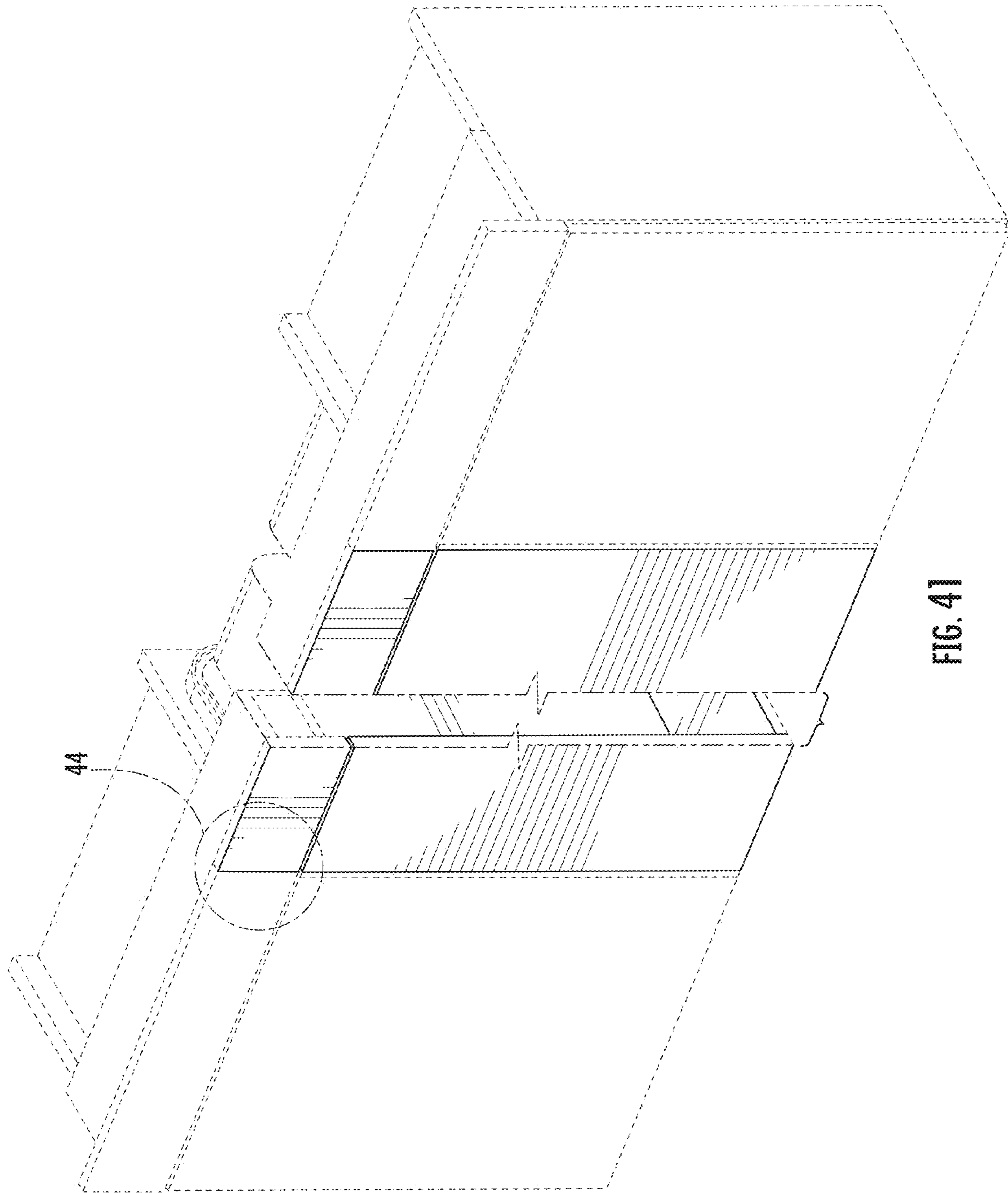


FIG. 41

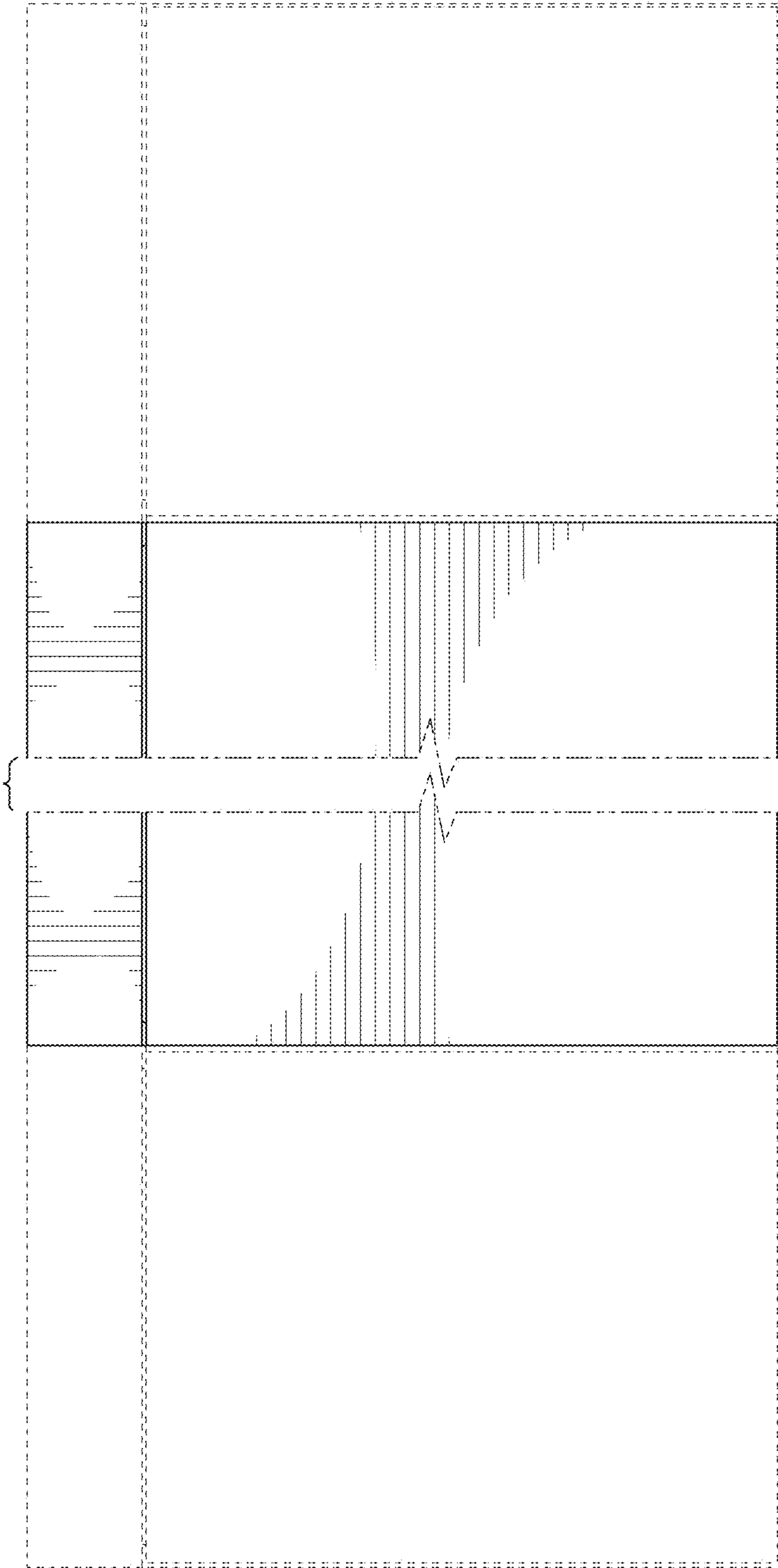


FIG. 42



FIG. 43

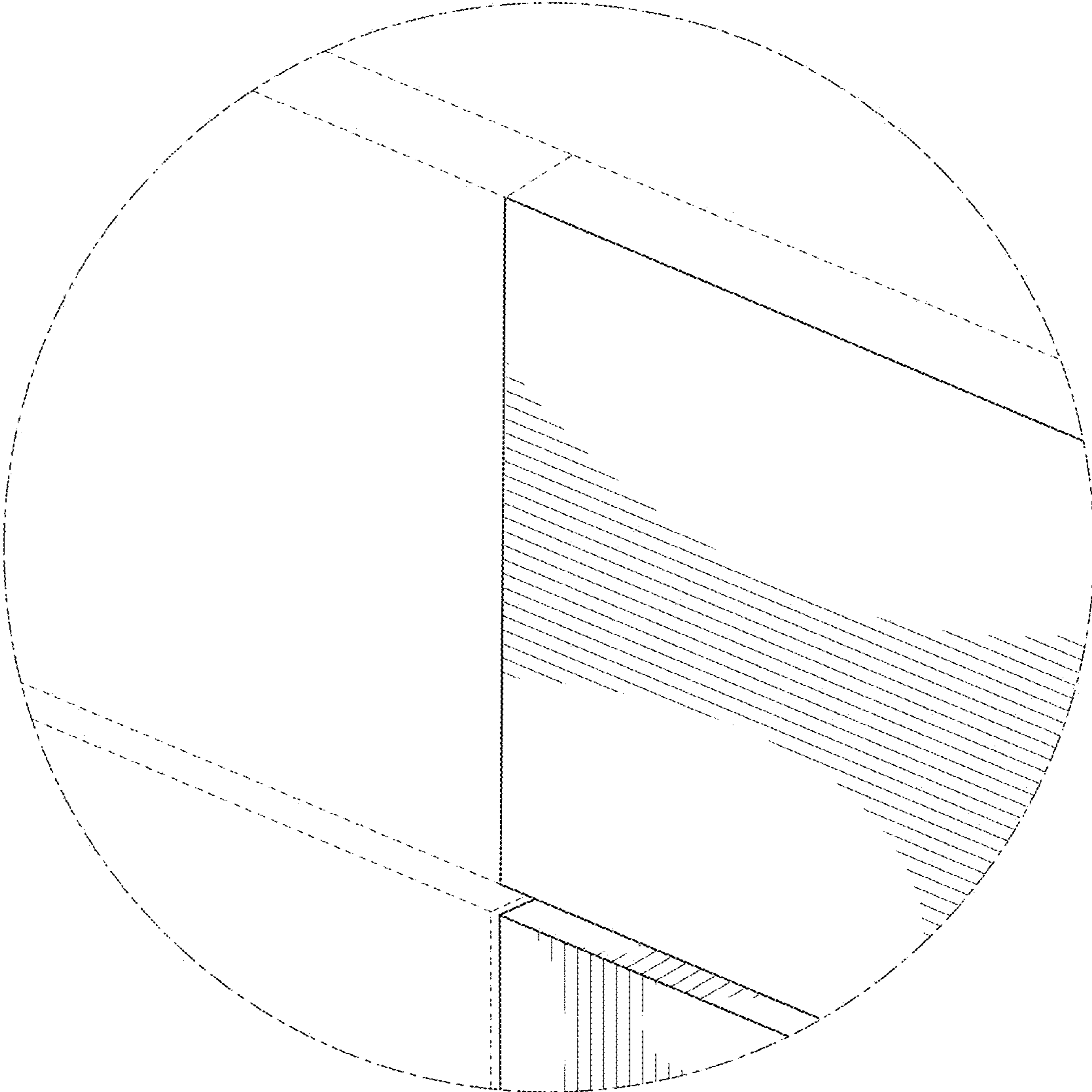


FIG. 44

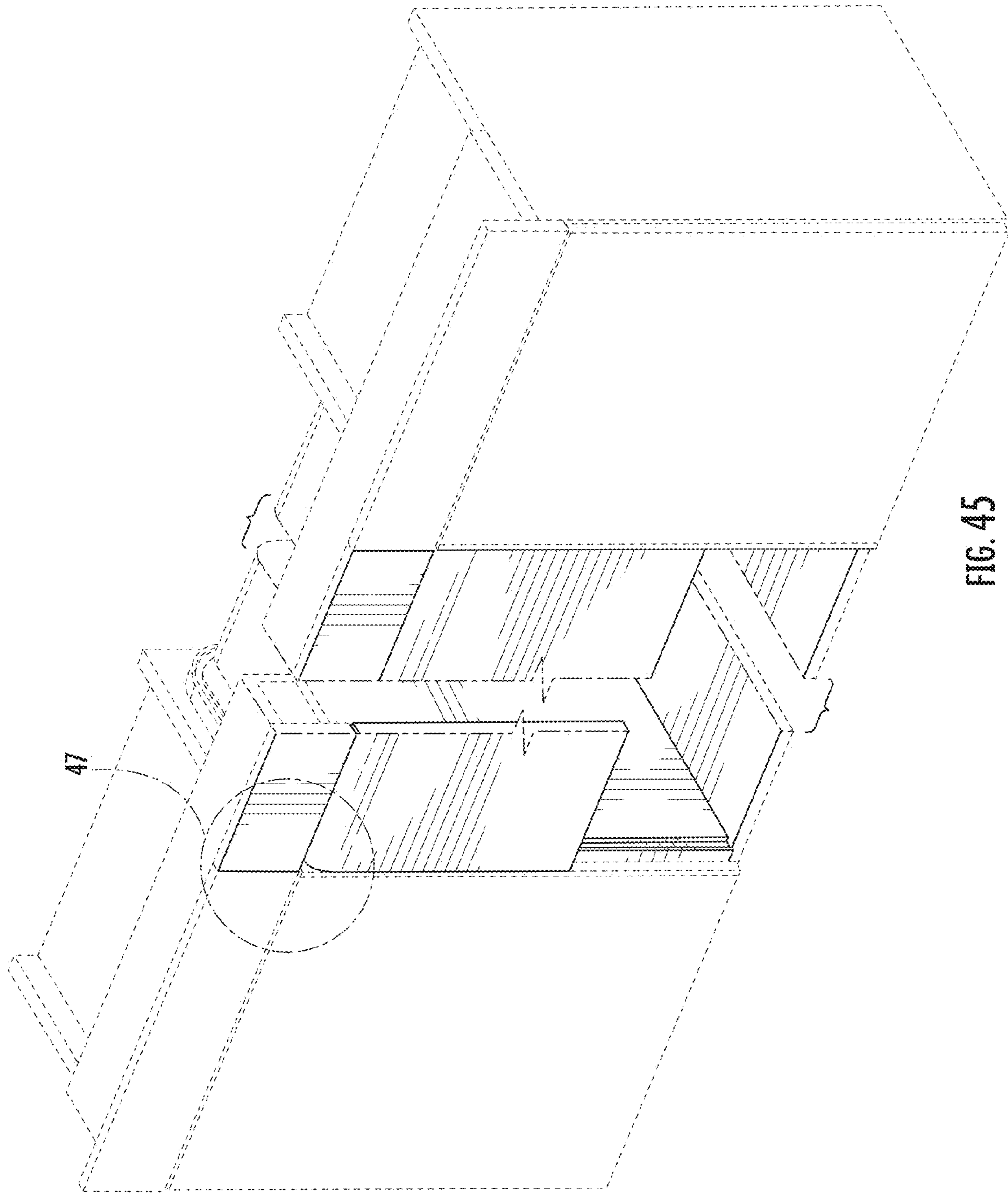


FIG. 45



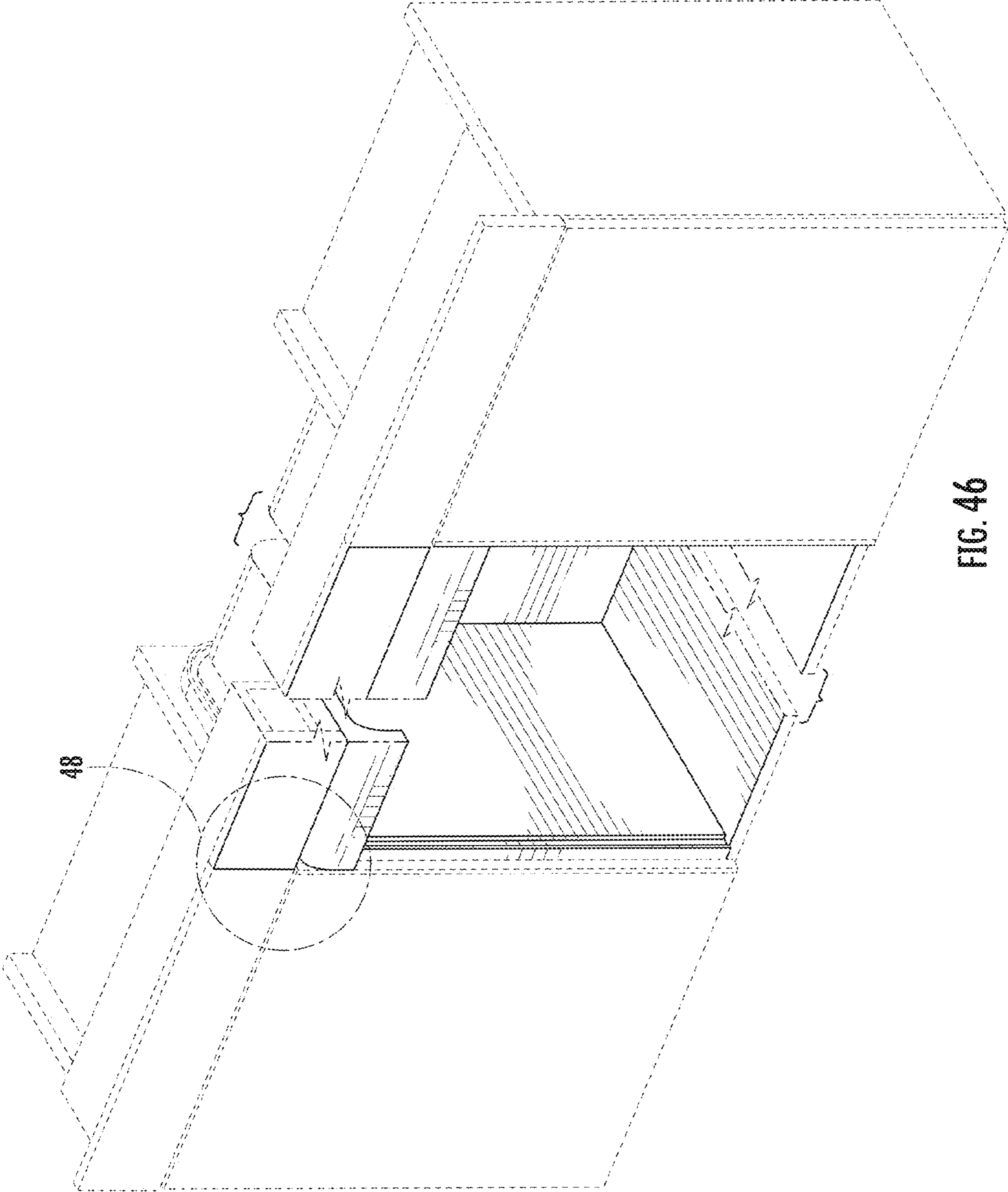


FIG. 46

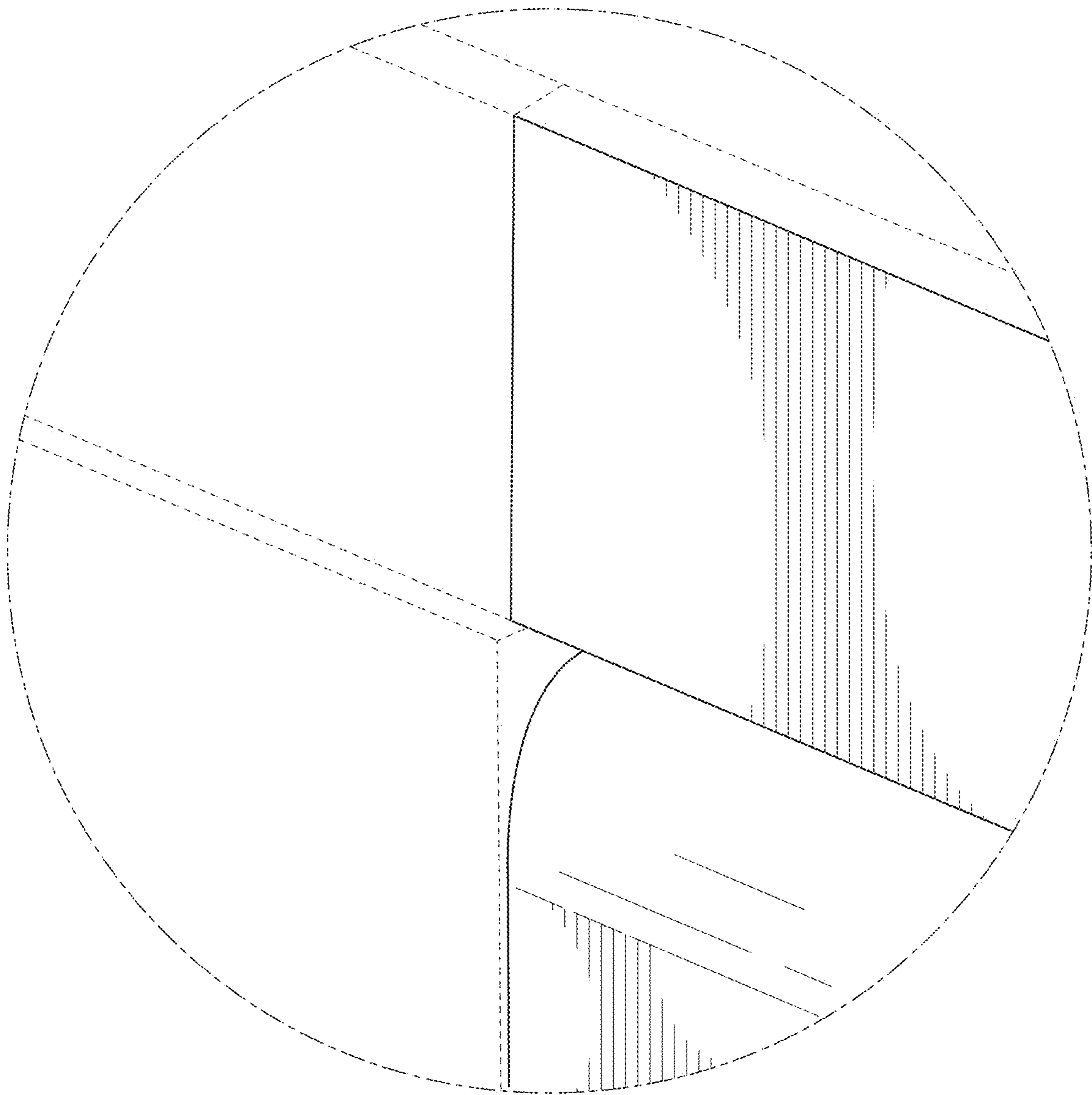


FIG. 47

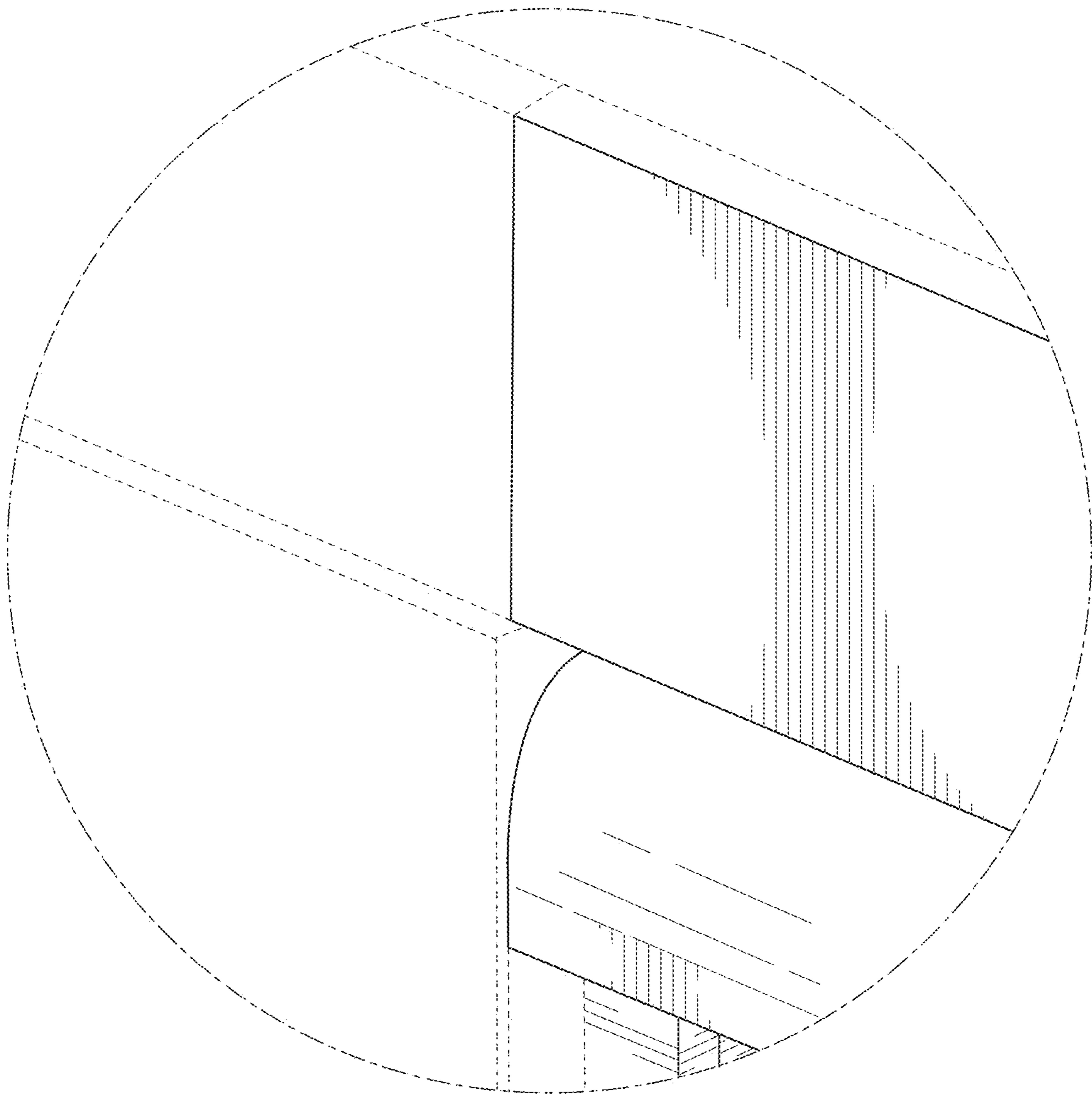


FIG. 48

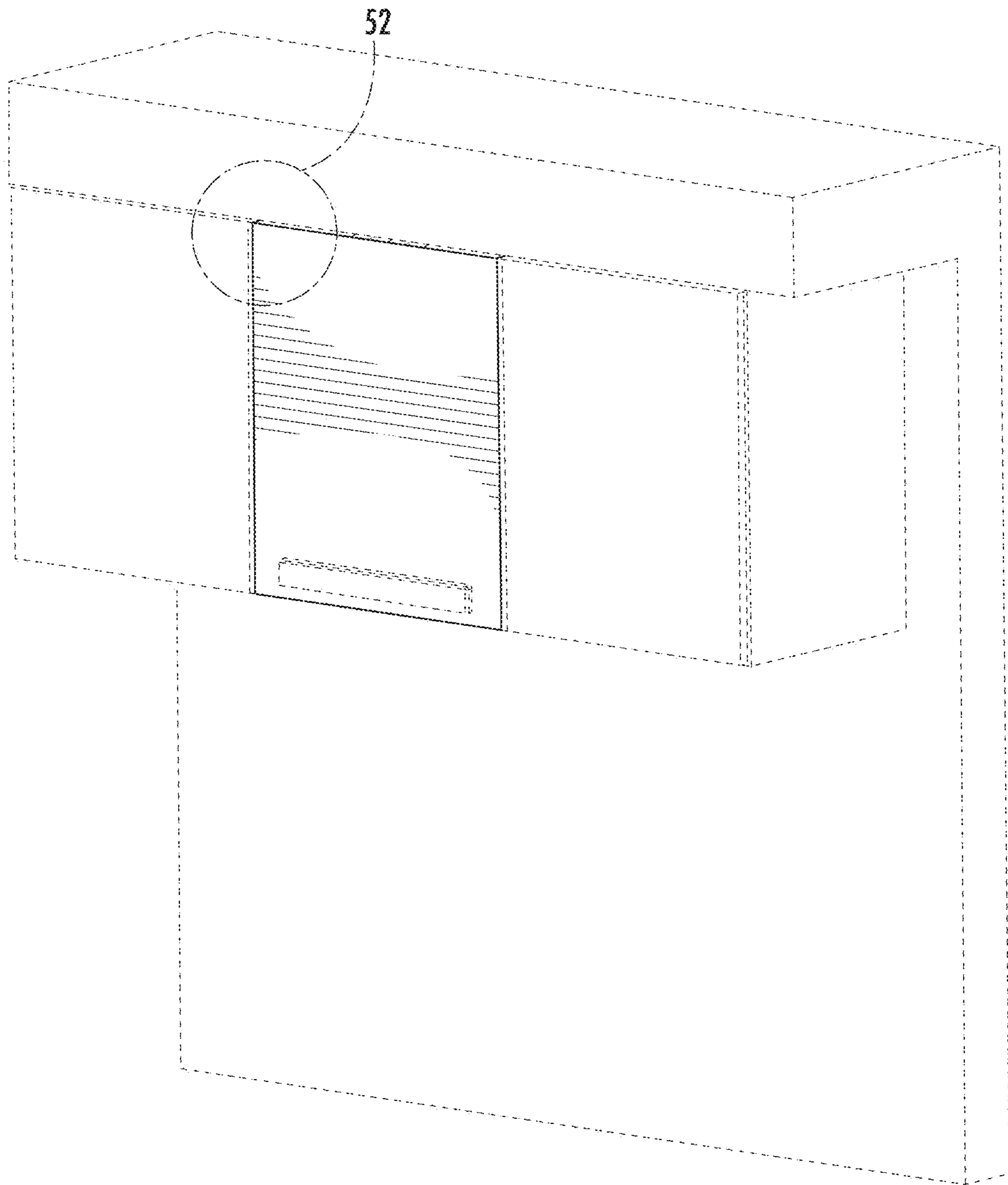


FIG. 49

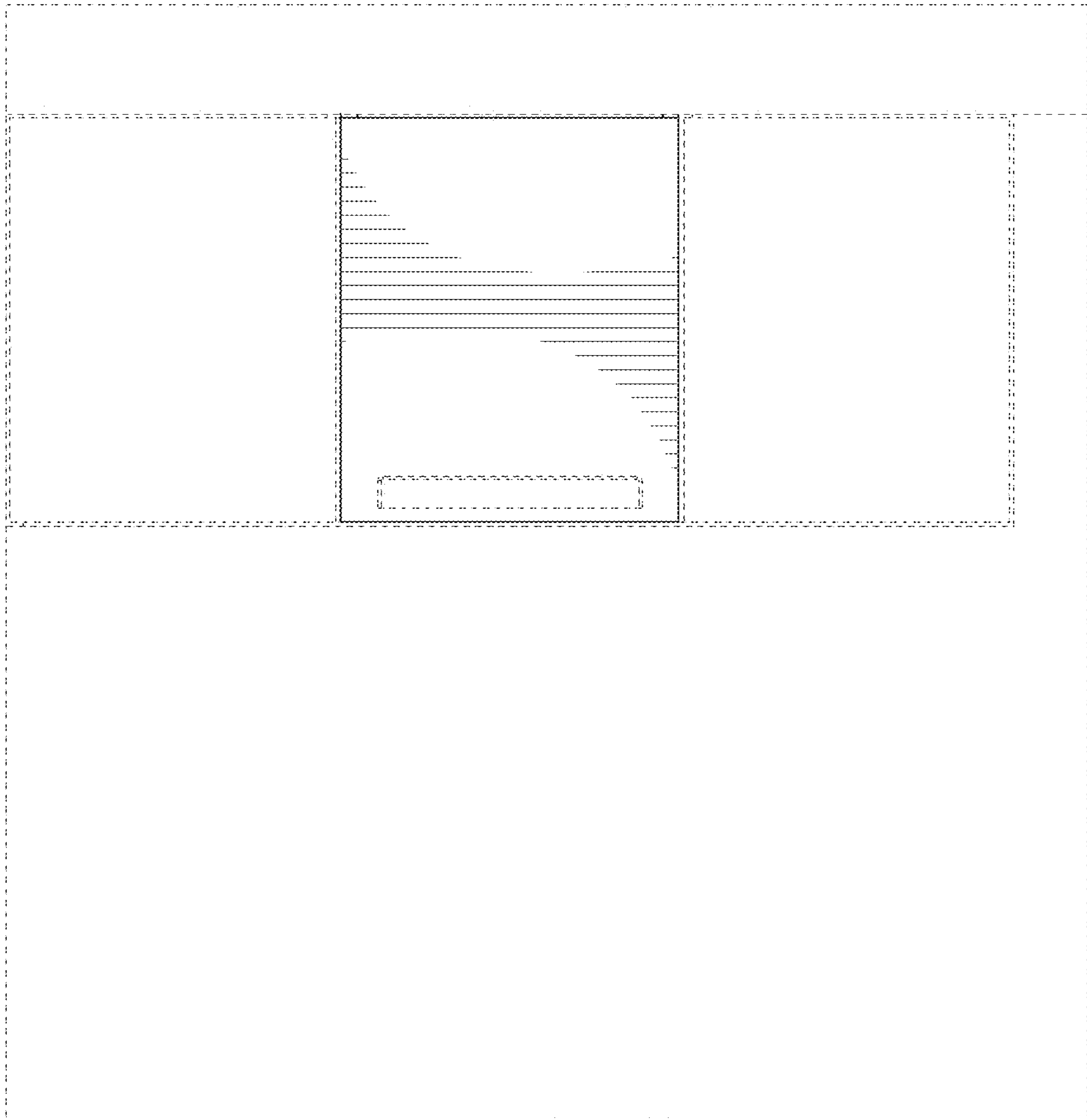


FIG. 50

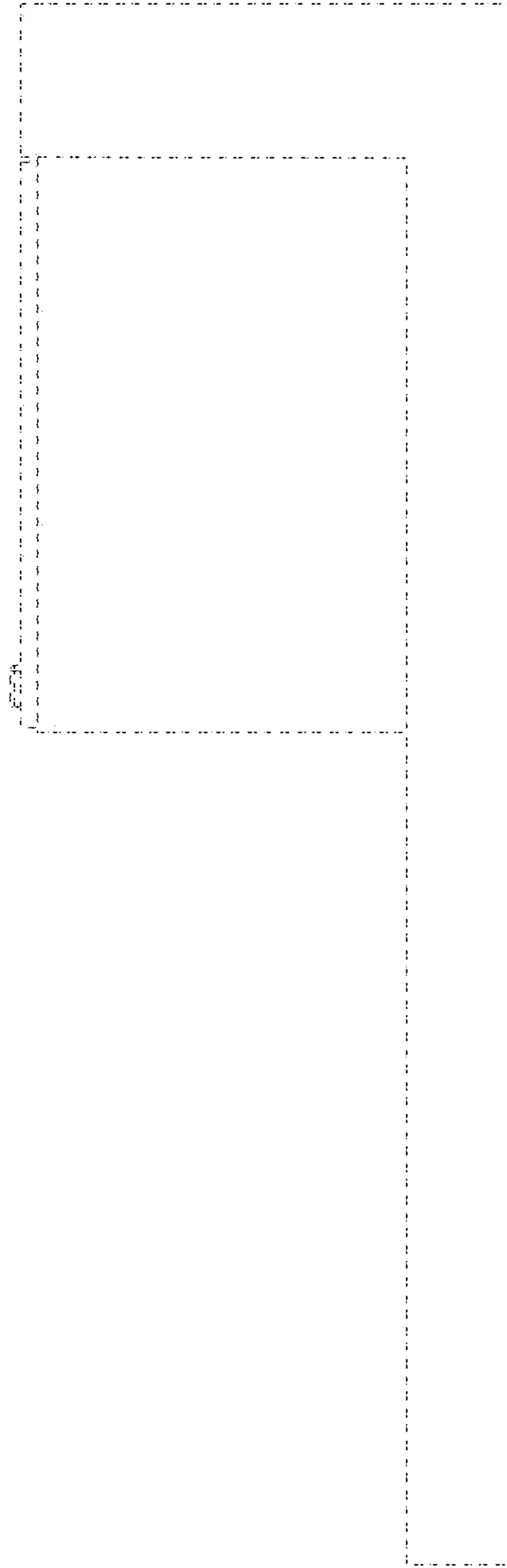


FIG. 51

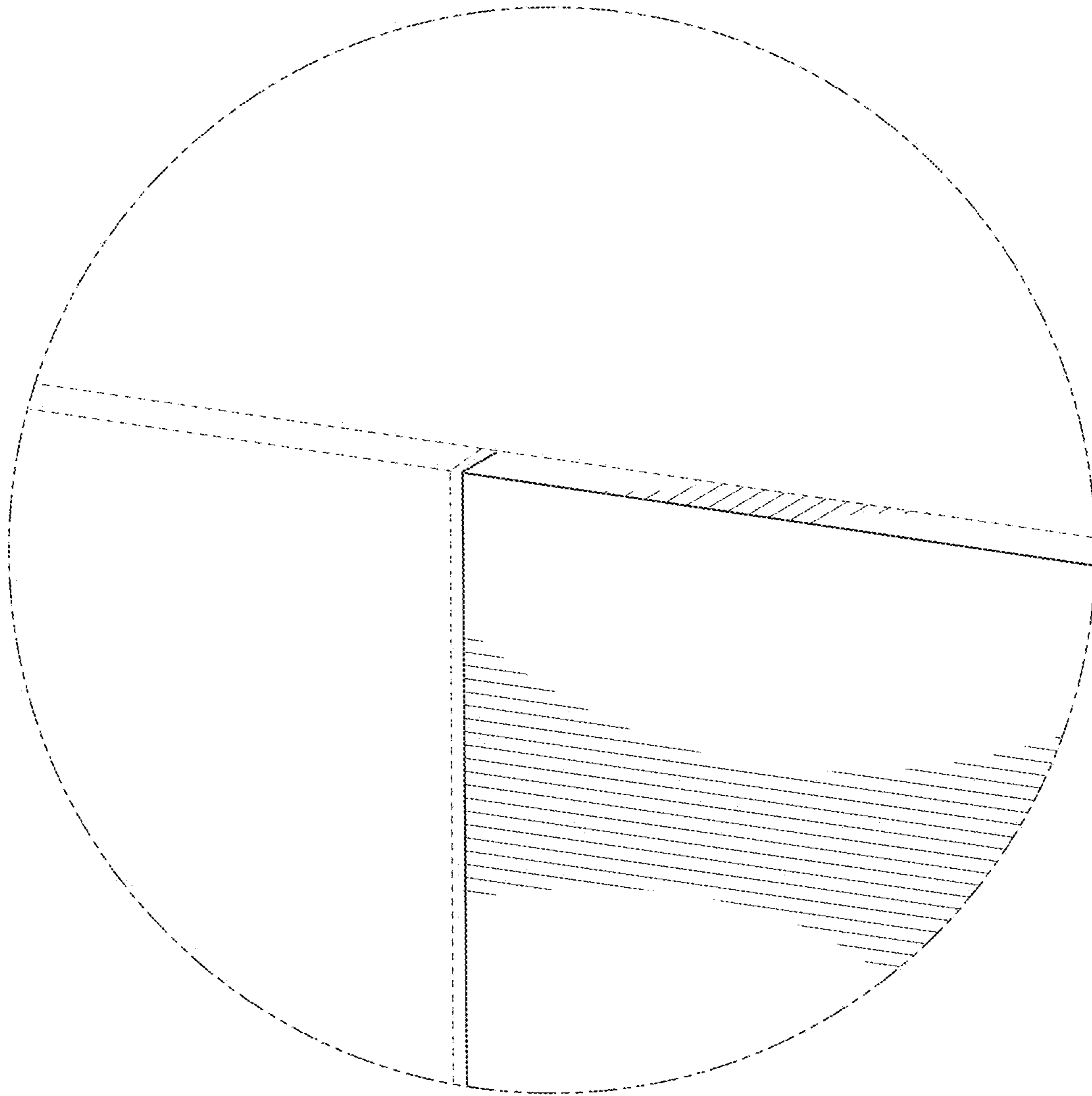


FIG. 52

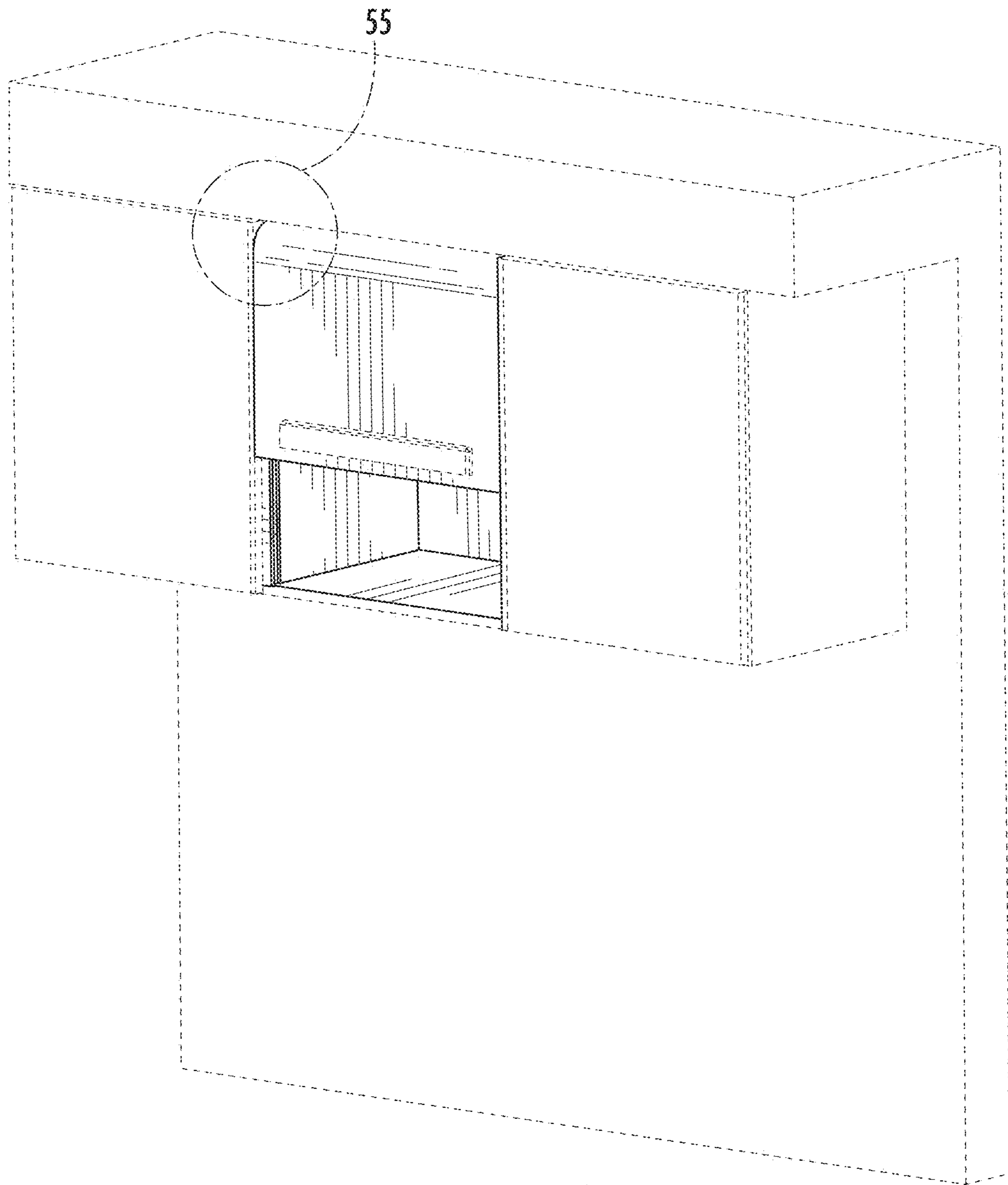


FIG. 53



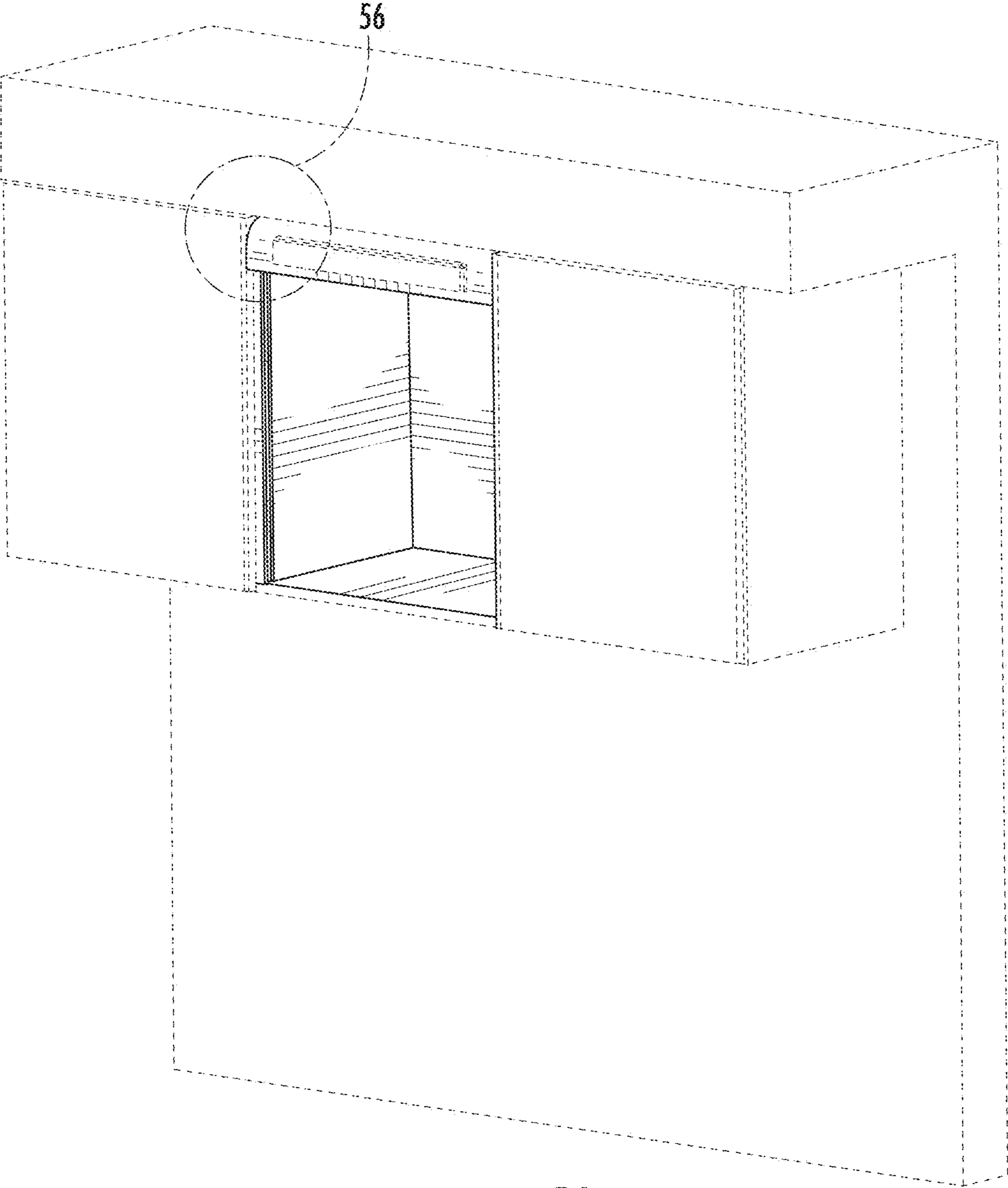


FIG. 54

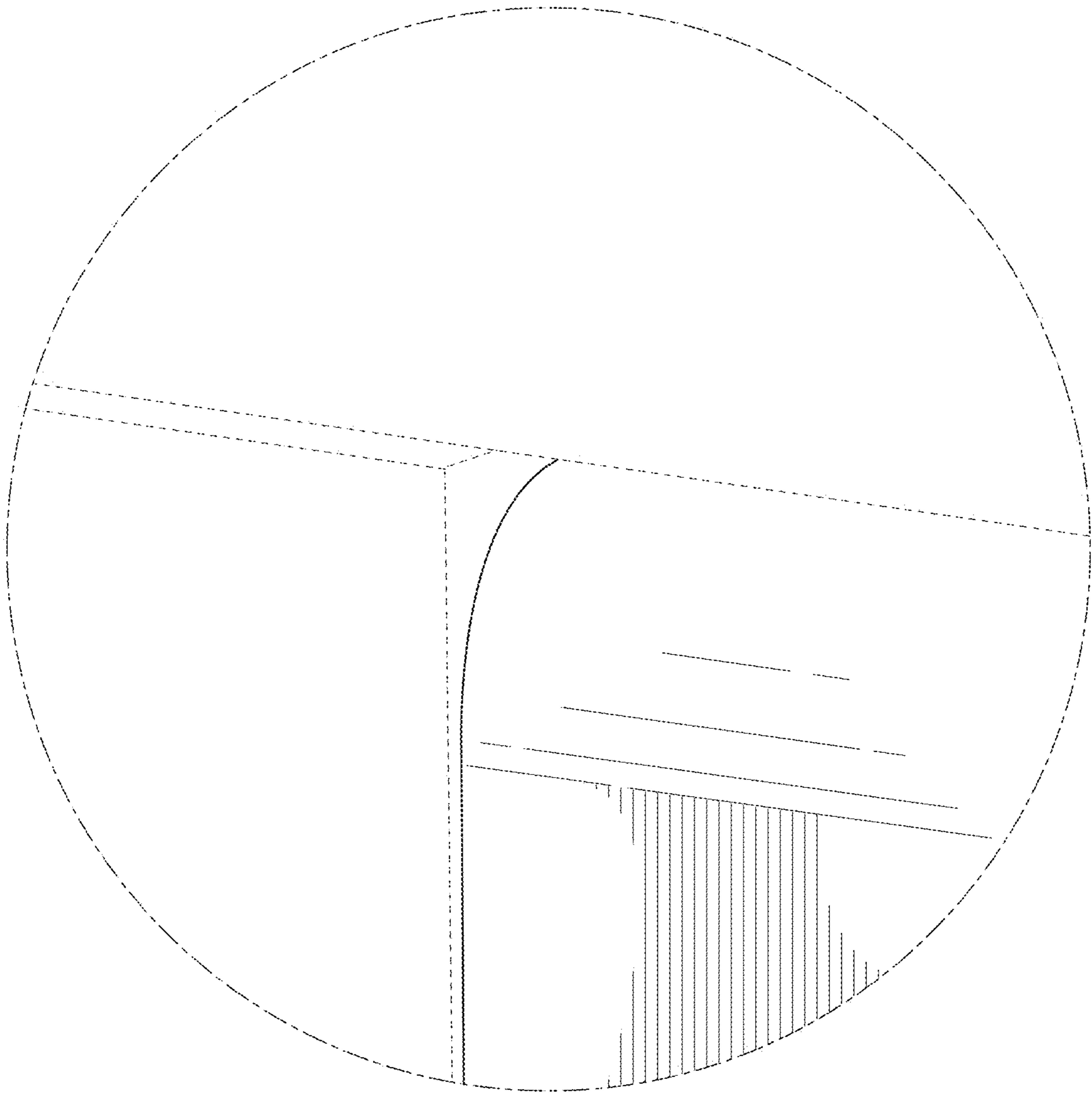


FIG. 55

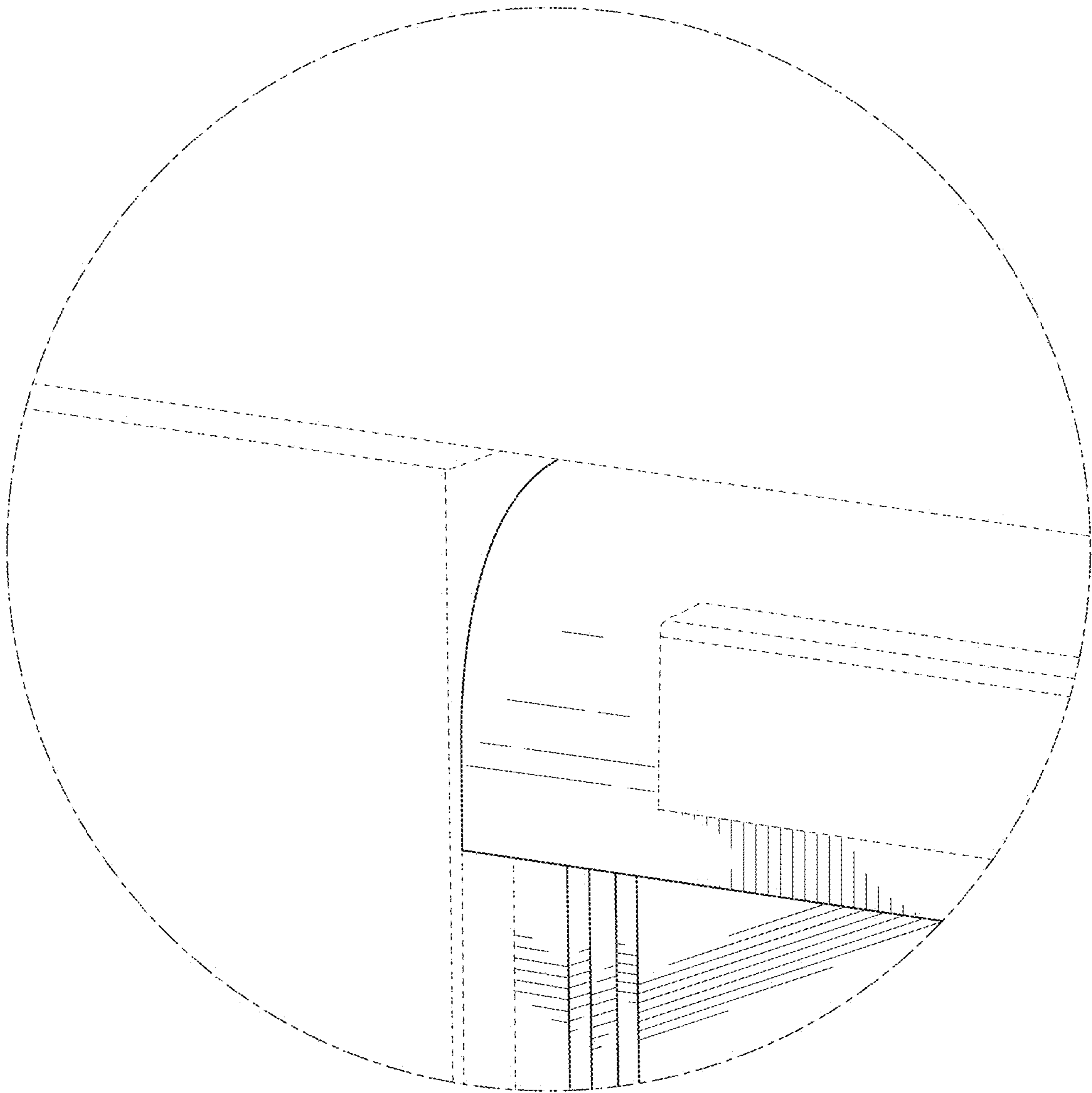


FIG. 56

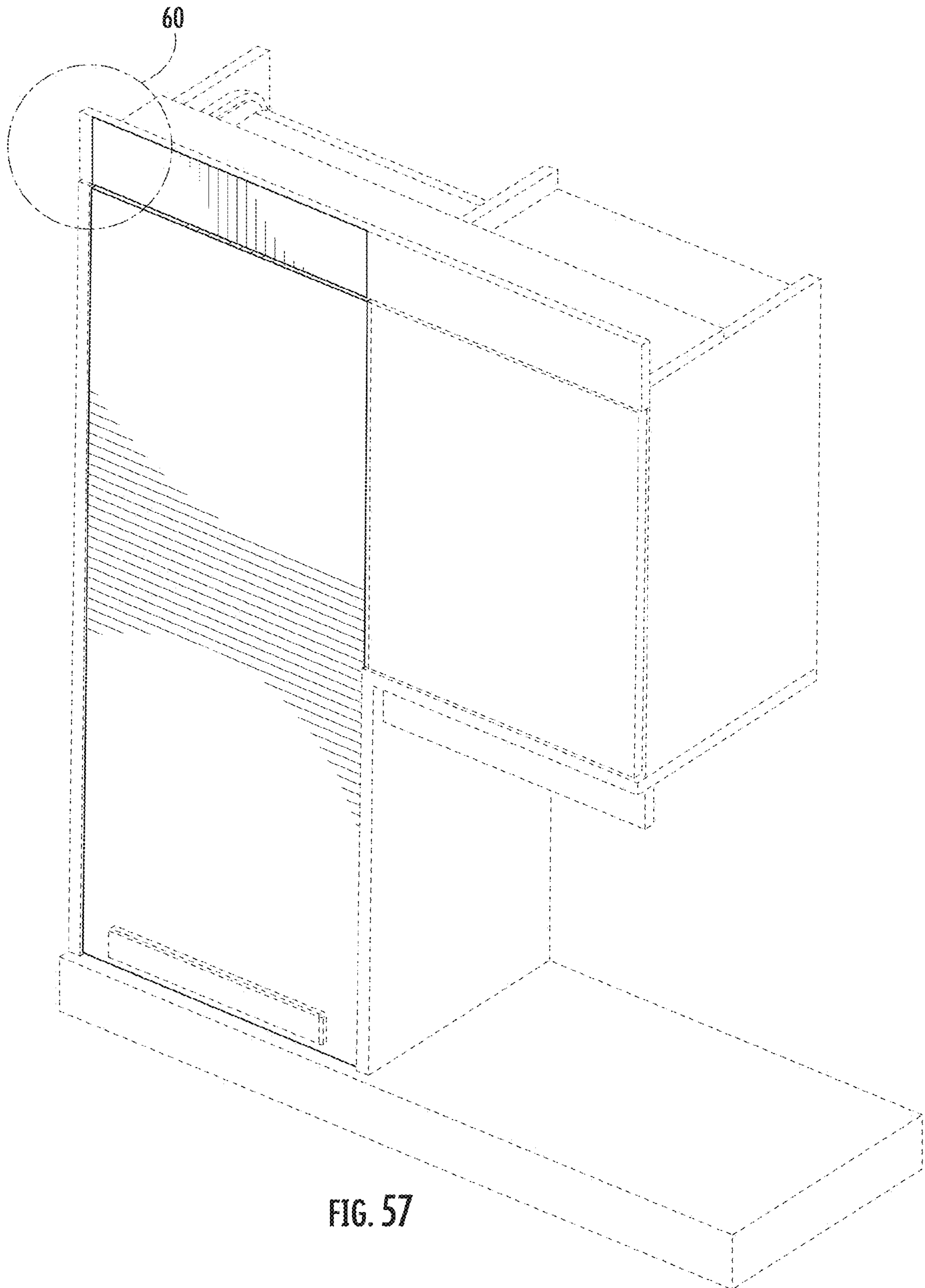


FIG. 57

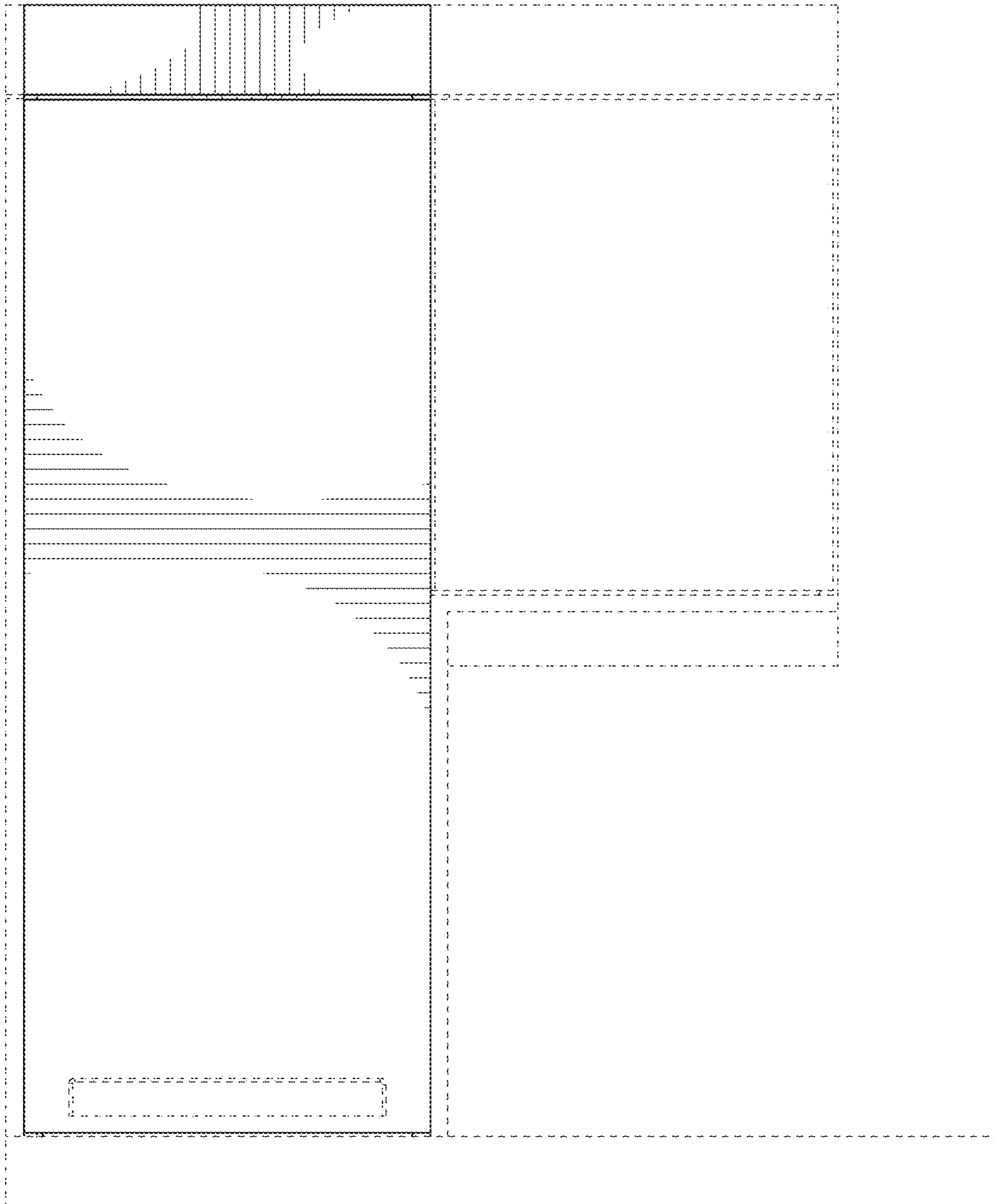


FIG. 58

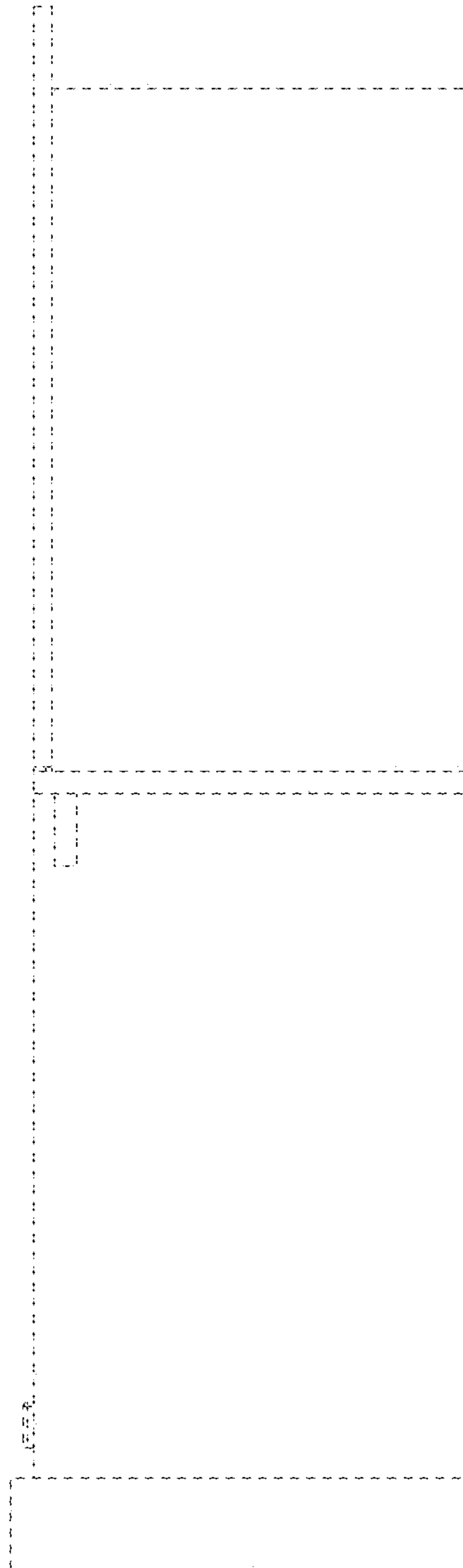


FIG. 59

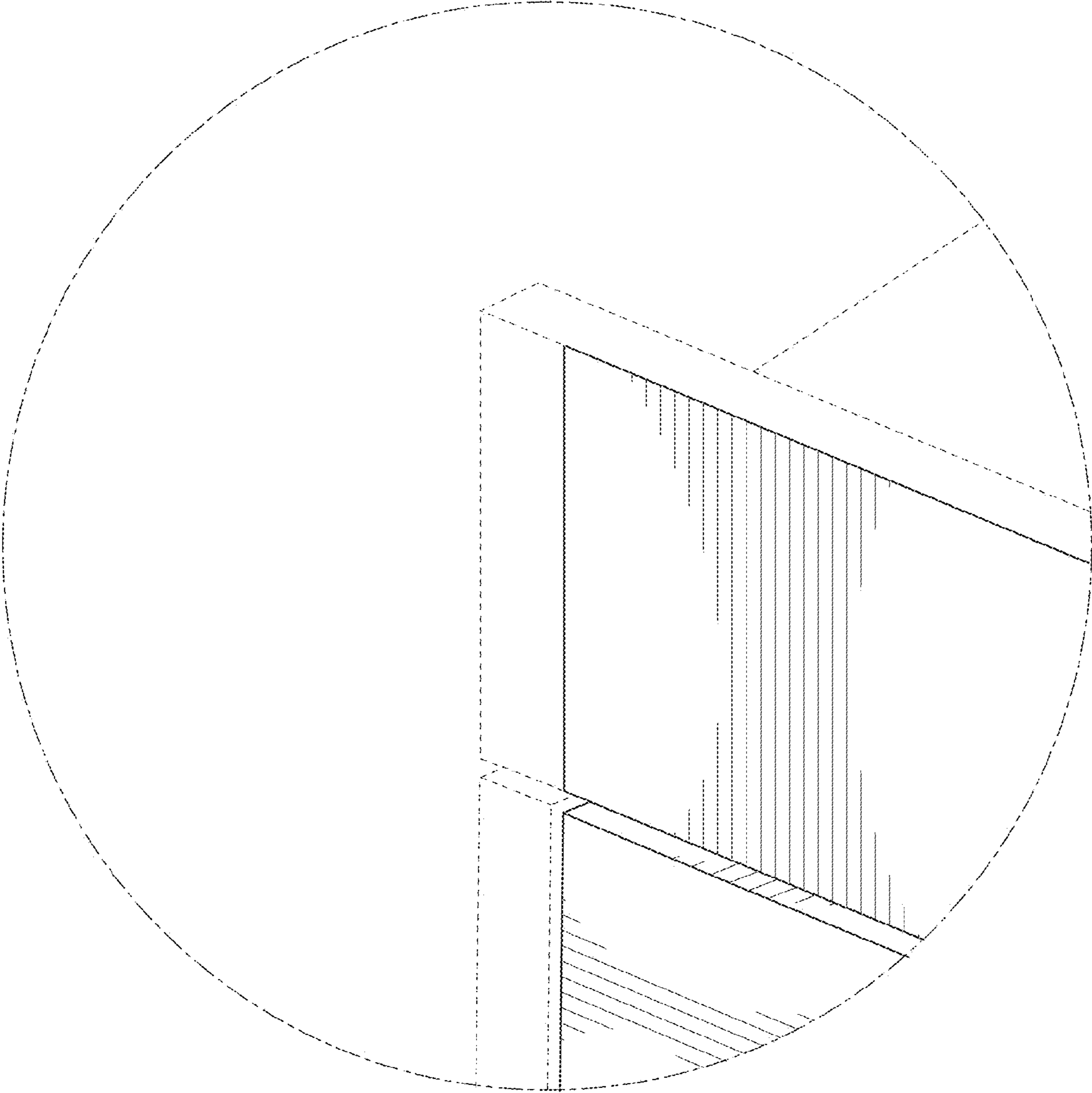


FIG. 60

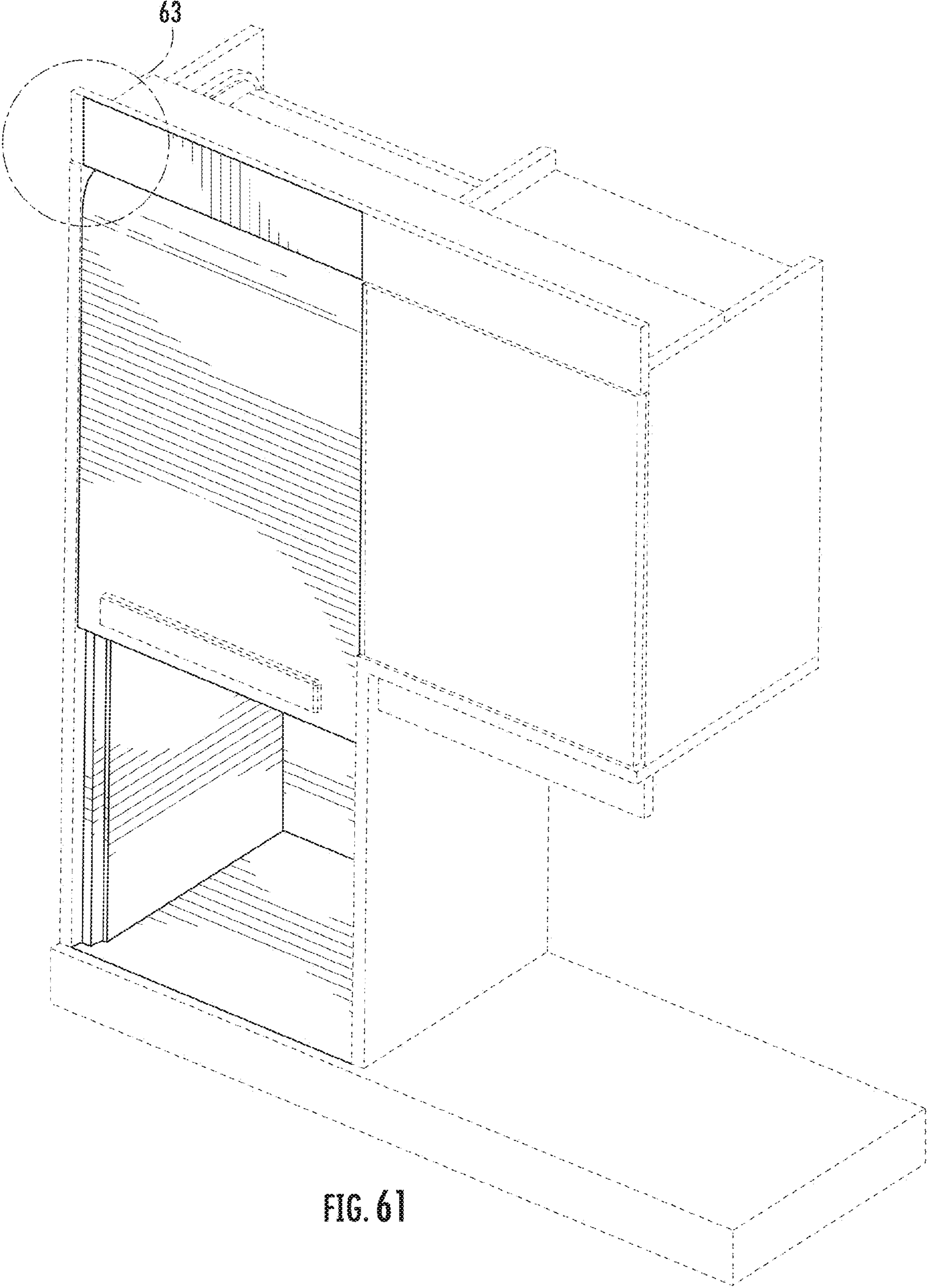


FIG. 61



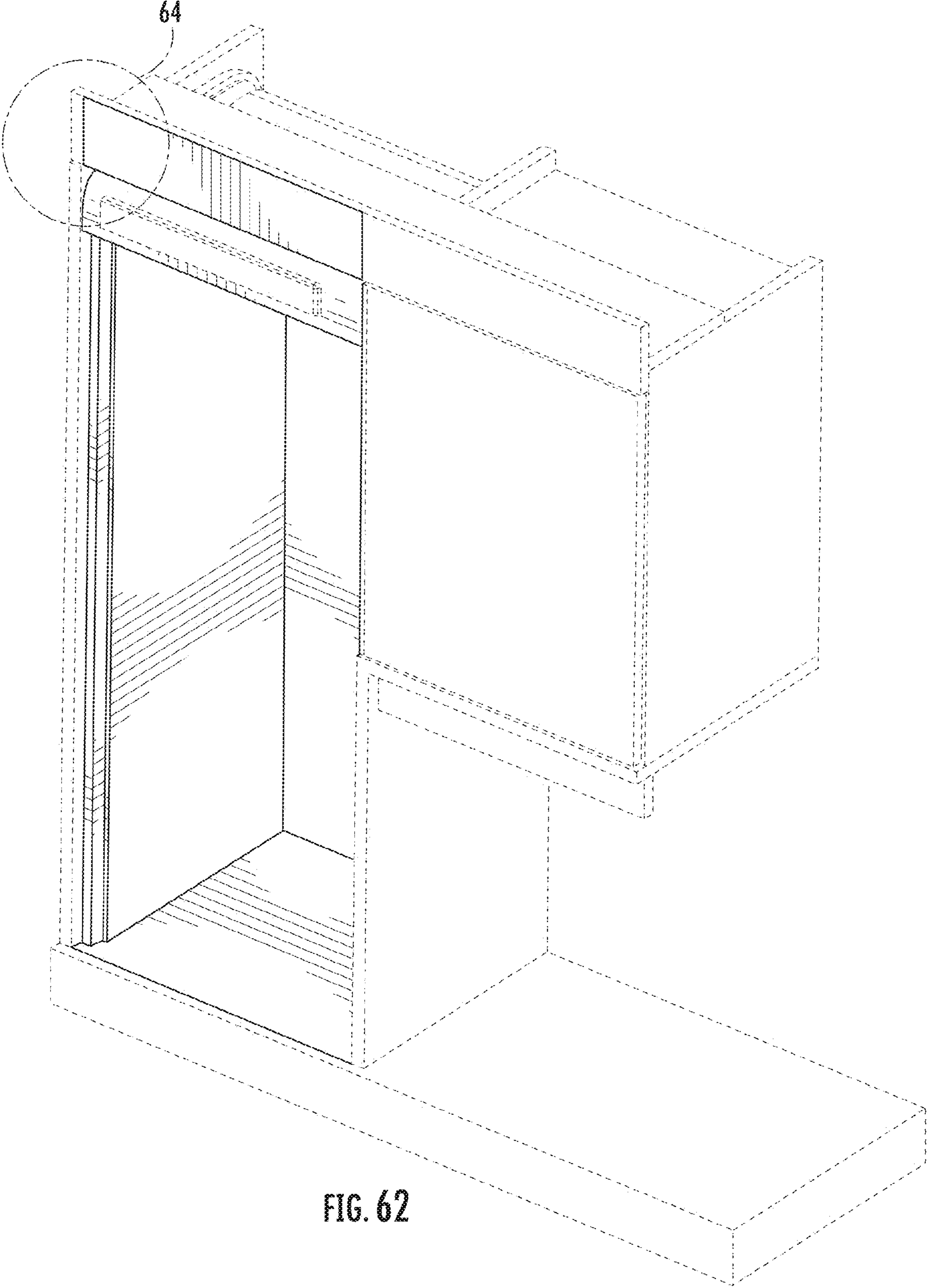


FIG. 62

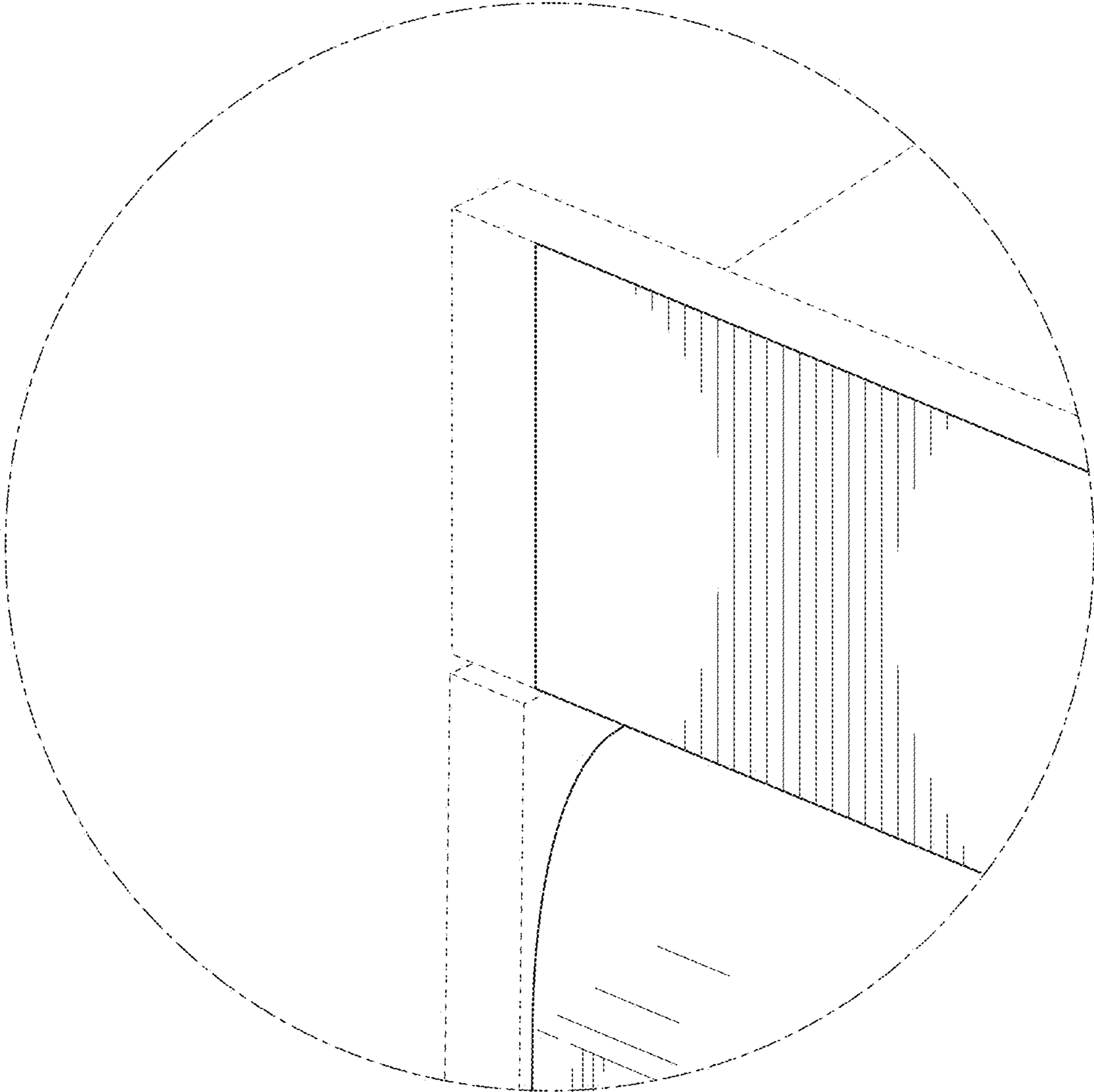


FIG. 63

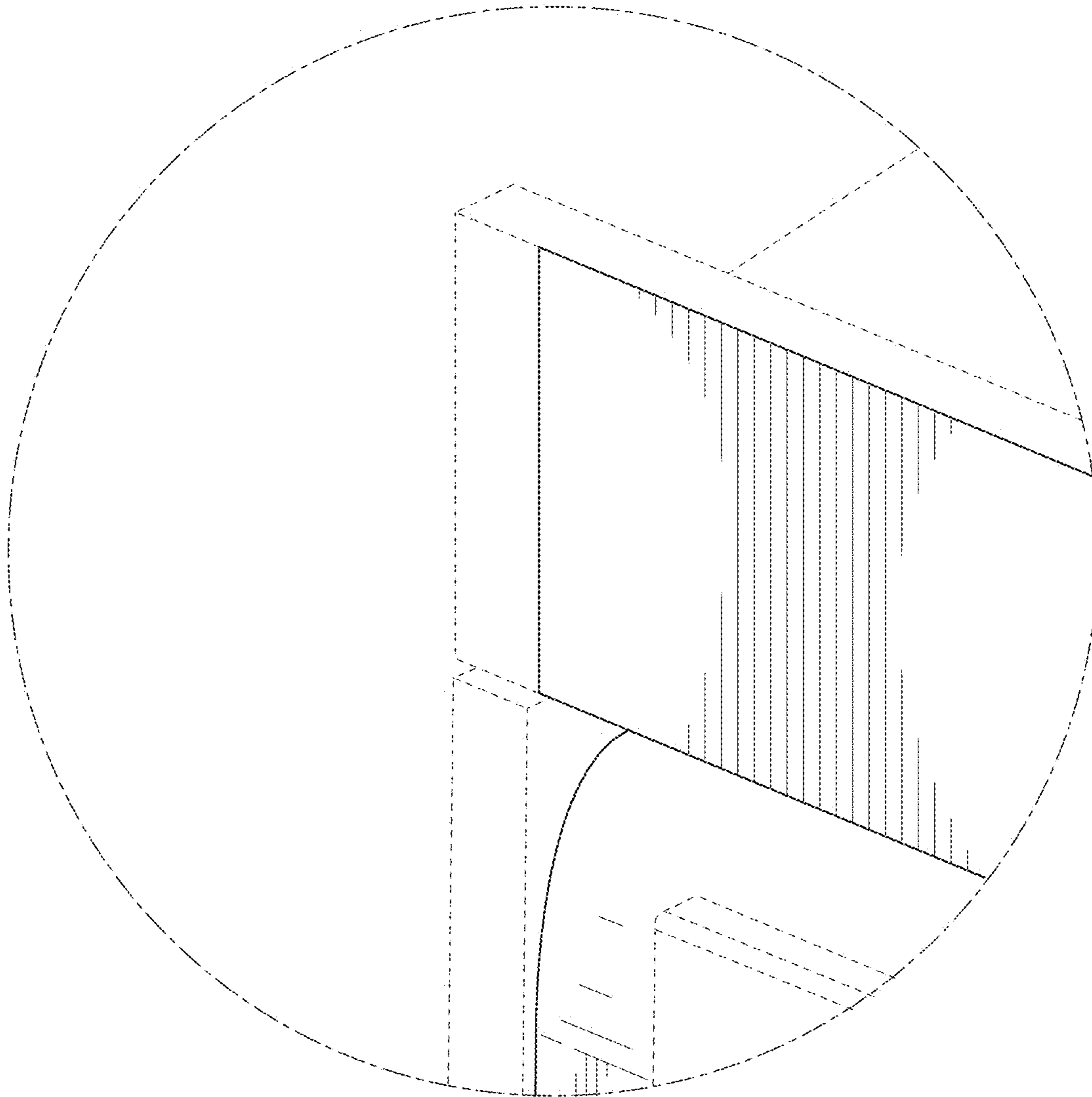


FIG. 64

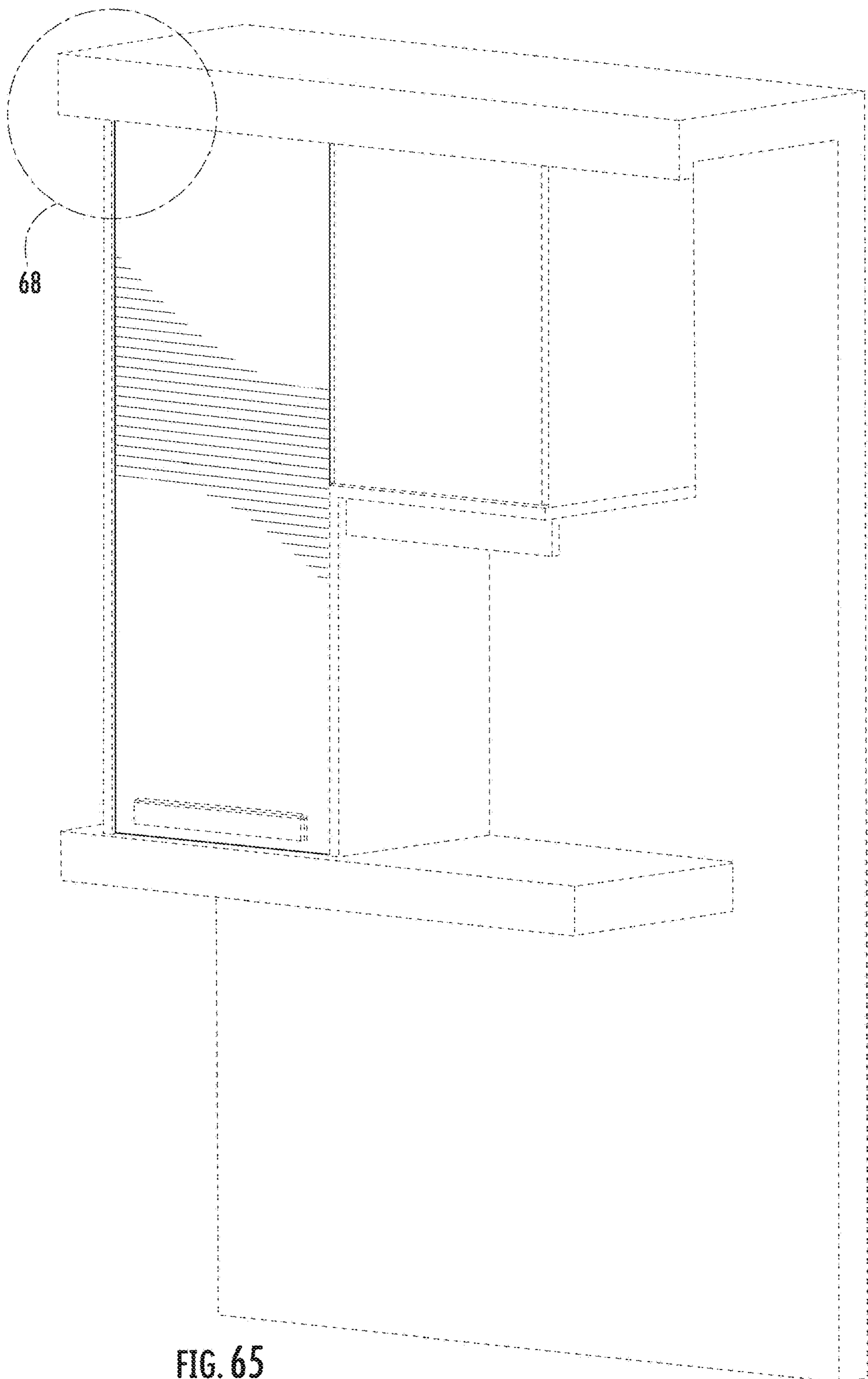


FIG. 65

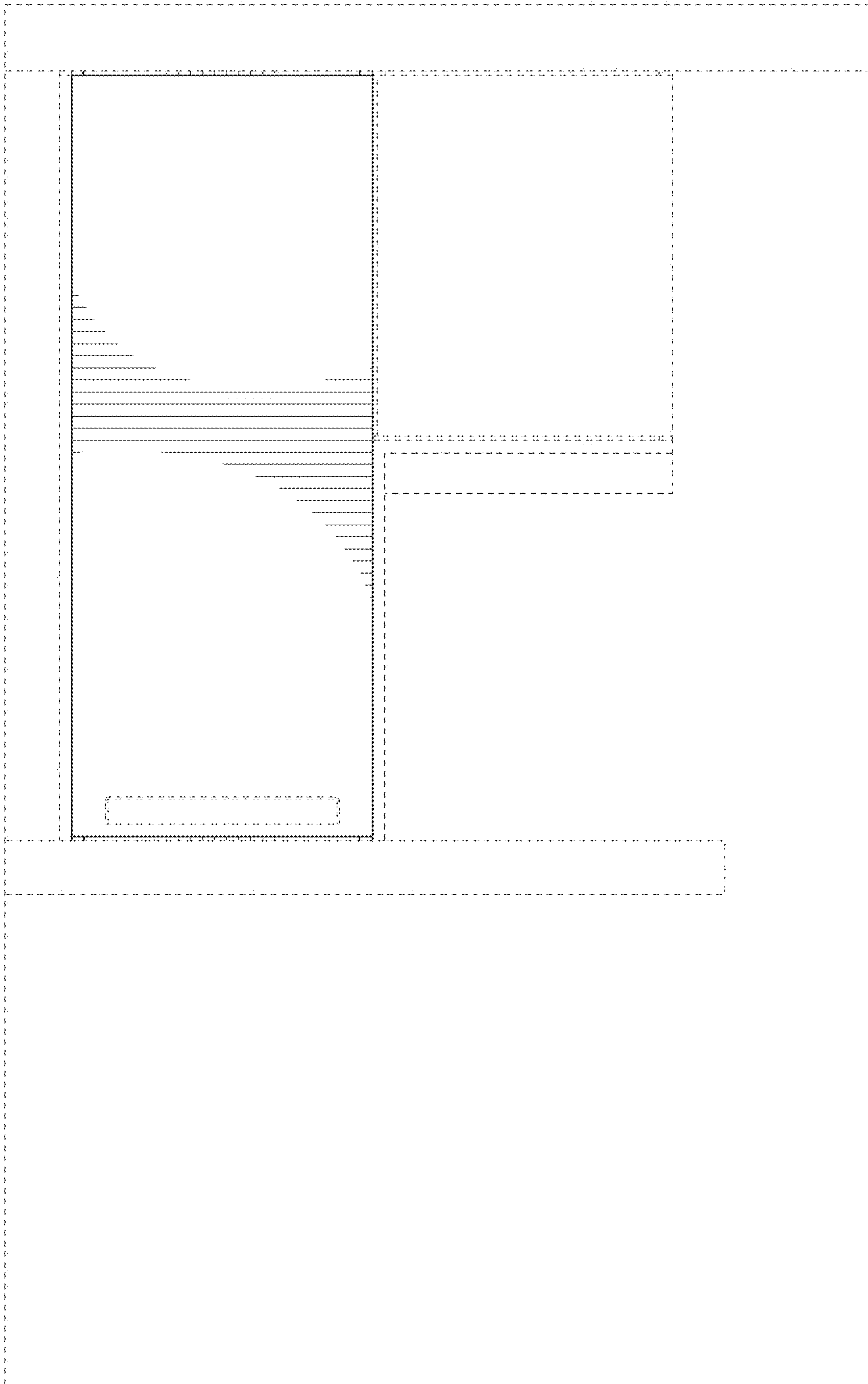


FIG. 66

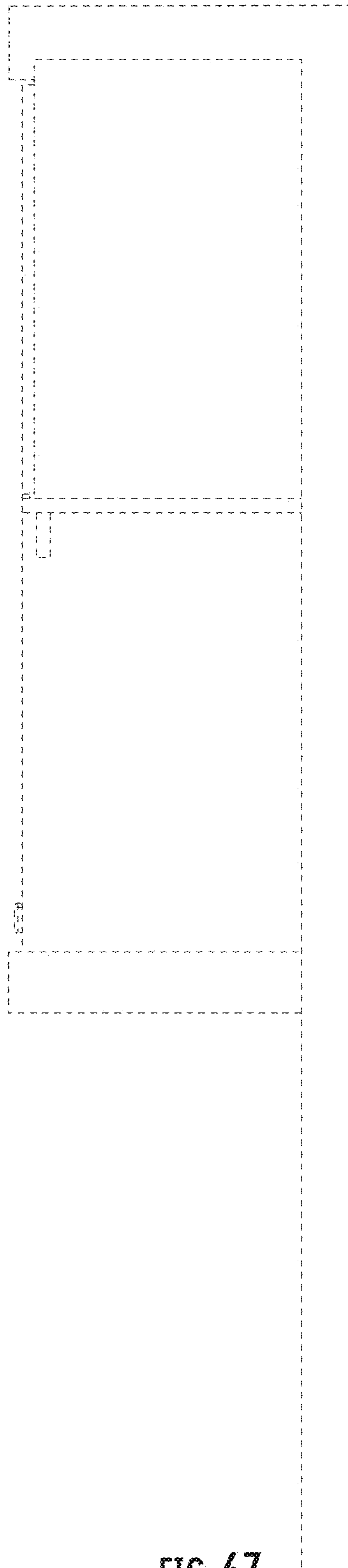


FIG. 67

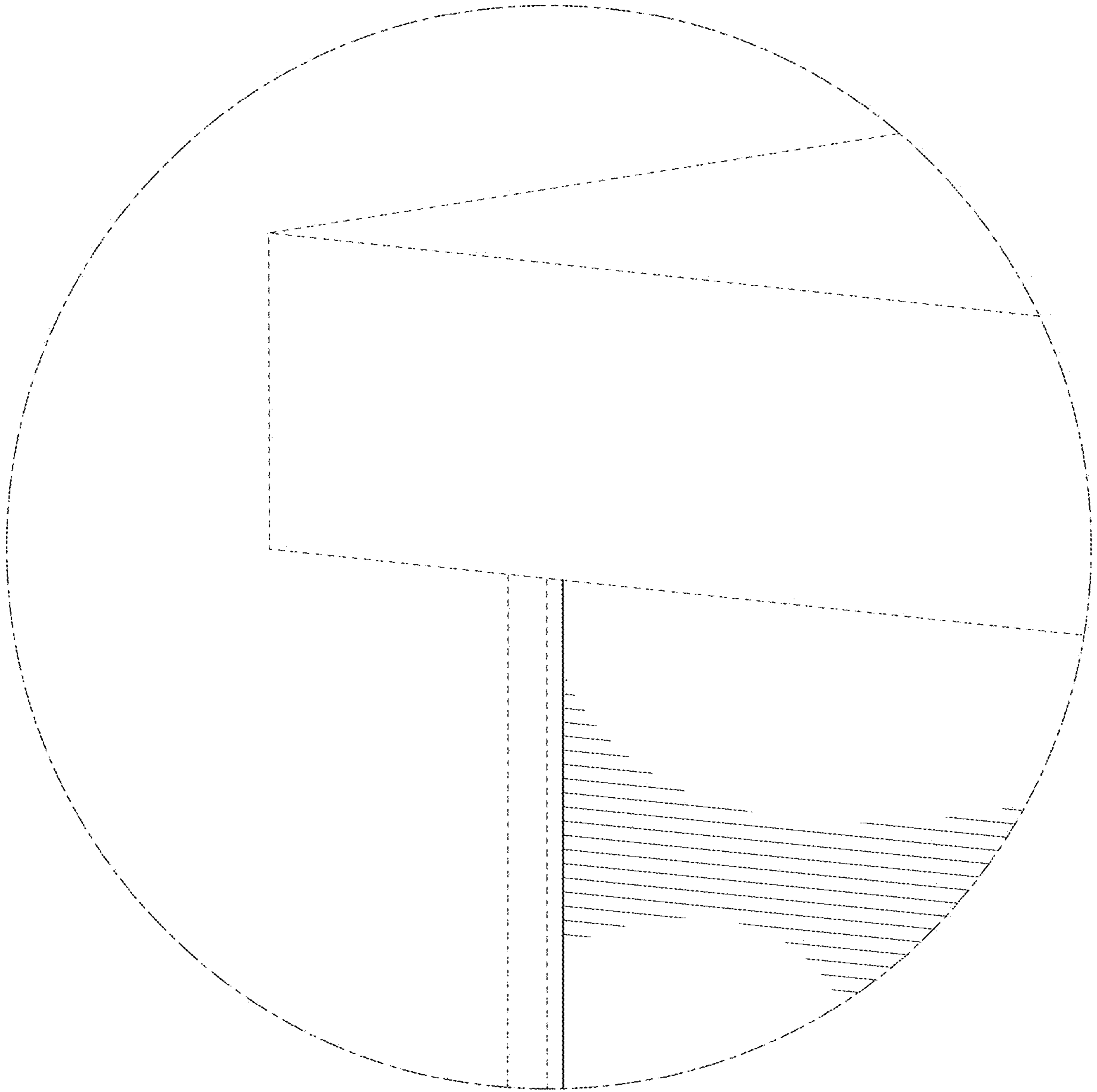


FIG. 68

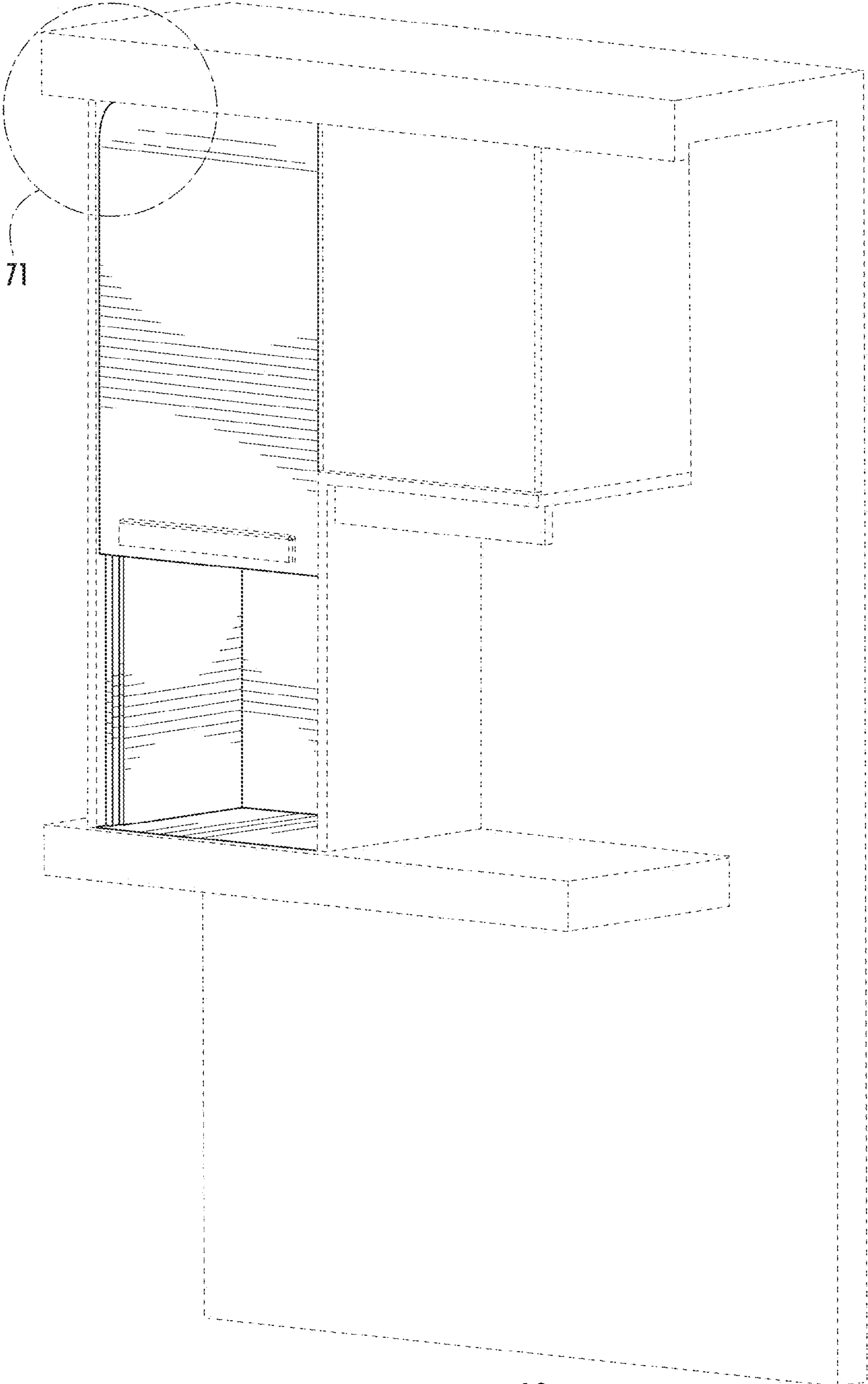


FIG. 69



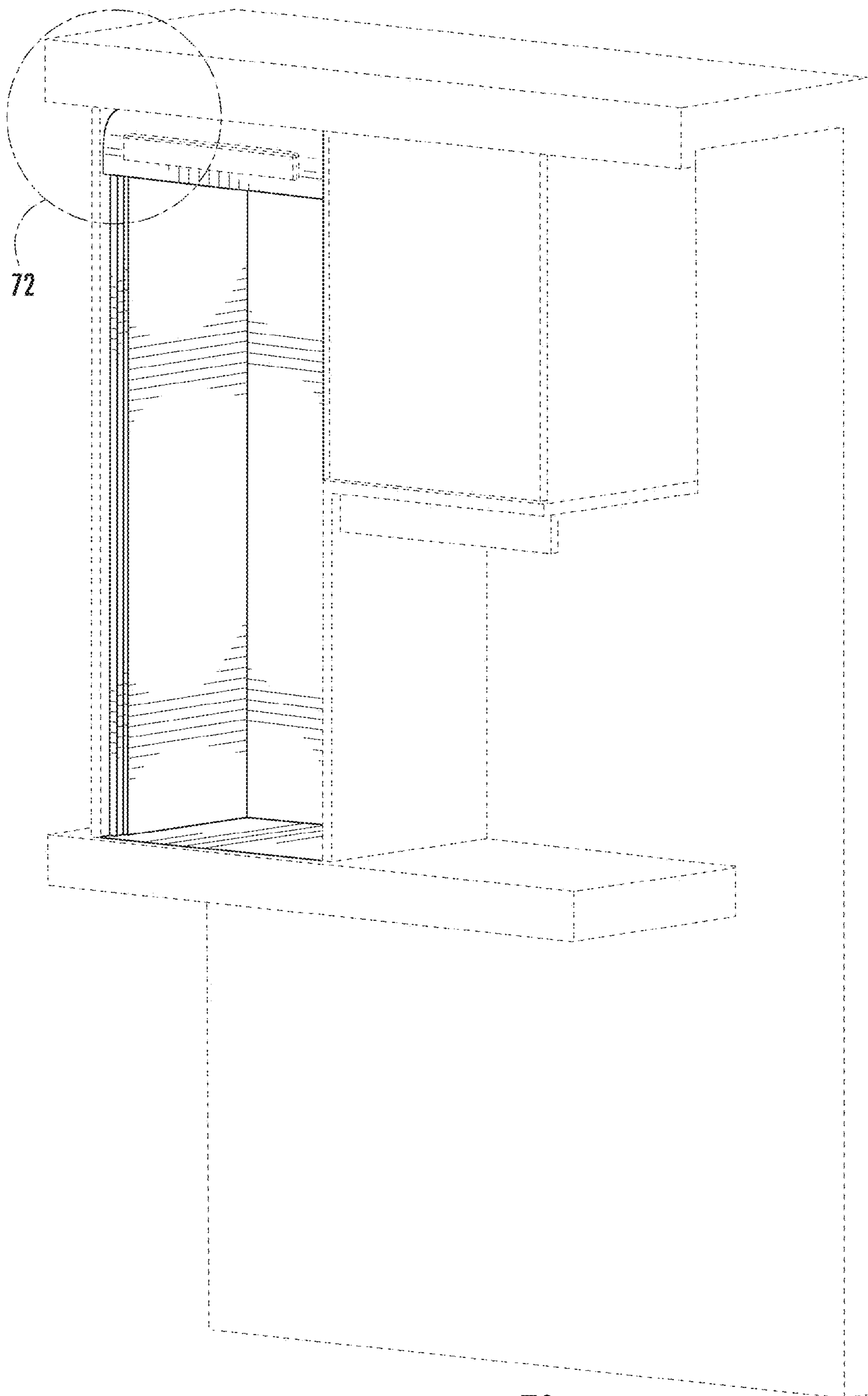


FIG. 70

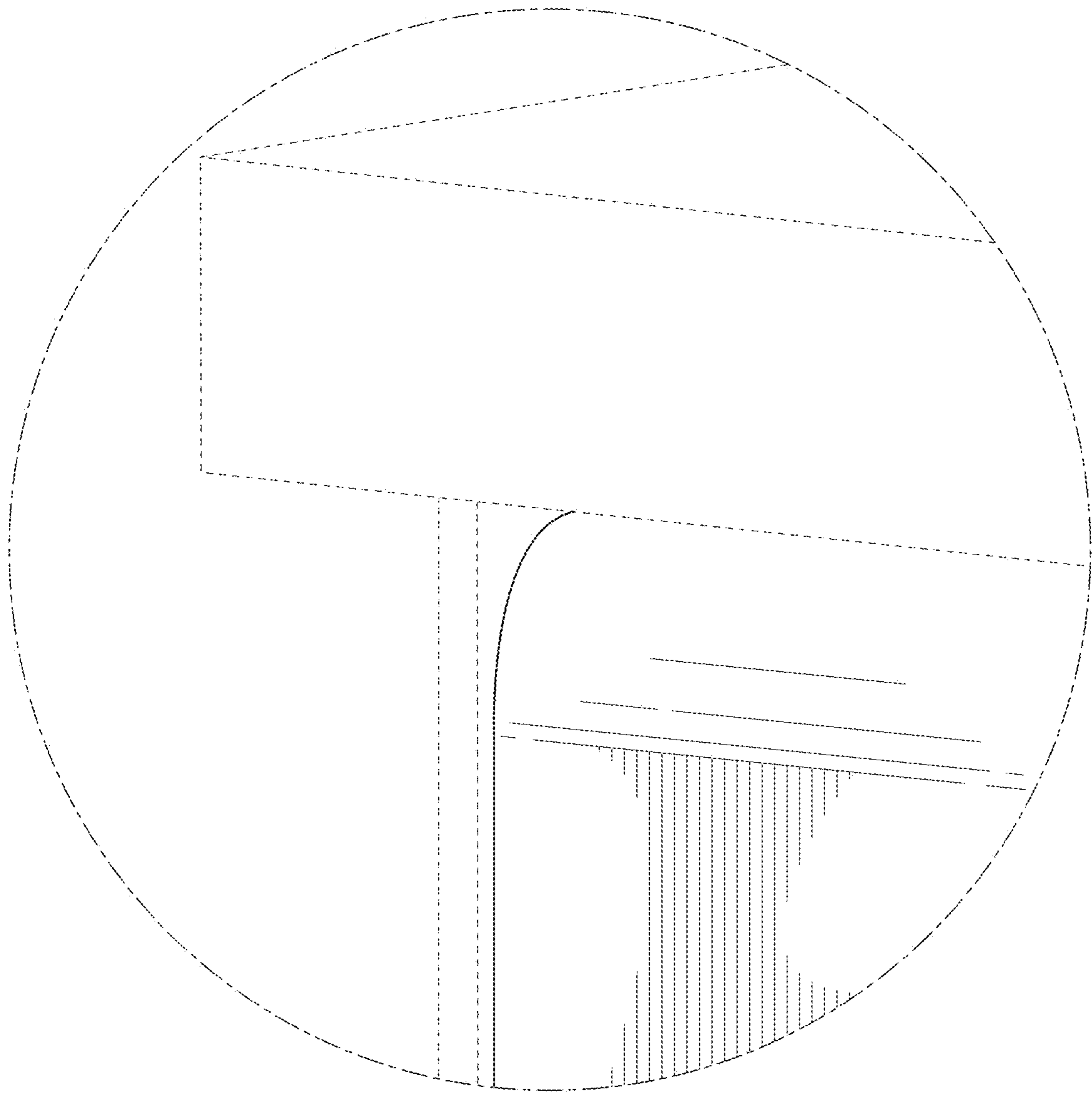


FIG. 71

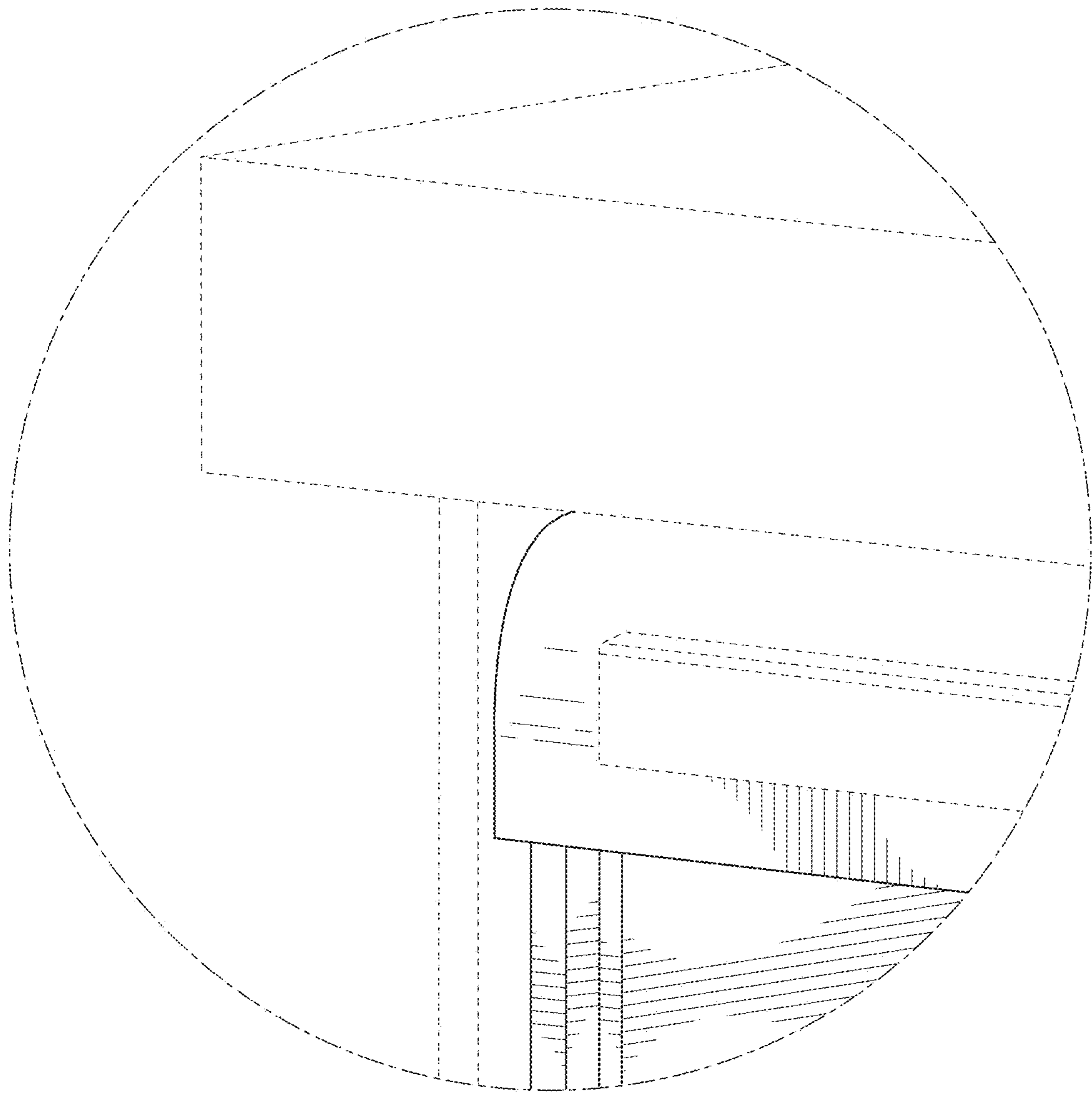


FIG. 72