



US00D980660S

(12) **United States Design Patent** (10) **Patent No.:** **US D980,660 S**
Ferris et al. (45) **Date of Patent:** **** Mar. 14, 2023**

(54) **RETAIL FIXTURE**

FOREIGN PATENT DOCUMENTS

(71) Applicant: **Apple Inc.**, Cupertino, CA (US)

JP D1474329 6/2013

(72) Inventors: **Caleb Ferris**, Oakland, CA (US); **Kully Kraig Mandon**, Santa Cruz, CA (US); **Julien Phillip Stockwell**, San Francisco, CA (US)

OTHER PUBLICATIONS

Japanese Patent Office document HD07000764, HaWeGe Catalogue "Outdoors Furniture Made of Aluminum Alloy," p. 16, purportedly received by the National Center for Industrial Property Information and Training of the Japan Patent Office on Feb. 8, 1995 (2 pages).

(73) Assignee: **Apple Inc.**, Cupertino, CA (US)

Japanese Patent Office document RD03000438, Qingdao Jiachenxin Metal Products Co., Ltd. Catalogue "Mother and Baby Exhibition 3.0 Big Hit to the Market!" date unknown, p. 66 (2 pages).

(**) Term: **15 Years**

* cited by examiner

(21) Appl. No.: **29/773,044**

(22) Filed: **Mar. 5, 2021**

Primary Examiner — Mary Ann Calabrese

(51) **LOC (14) Cl.** **06-03**

(74) *Attorney, Agent, or Firm* — Sterne, Kessler, Goldstein & Fox P.L.L.C.

(52) **U.S. Cl.**
USPC **D6/699**

(58) **Field of Classification Search**
USPC ... D6/672, 675, 686, 690, 691, 691.1–691.9, D6/698, 699
CPC A47B 7/00; A47B 13/00; A47B 21/00; A47B 31/00; A47F 3/00; A47F 9/00; A47F 10/00
See application file for complete search history.

(57) **CLAIM**

The ornamental design for a retail fixture, as shown and described.

DESCRIPTION

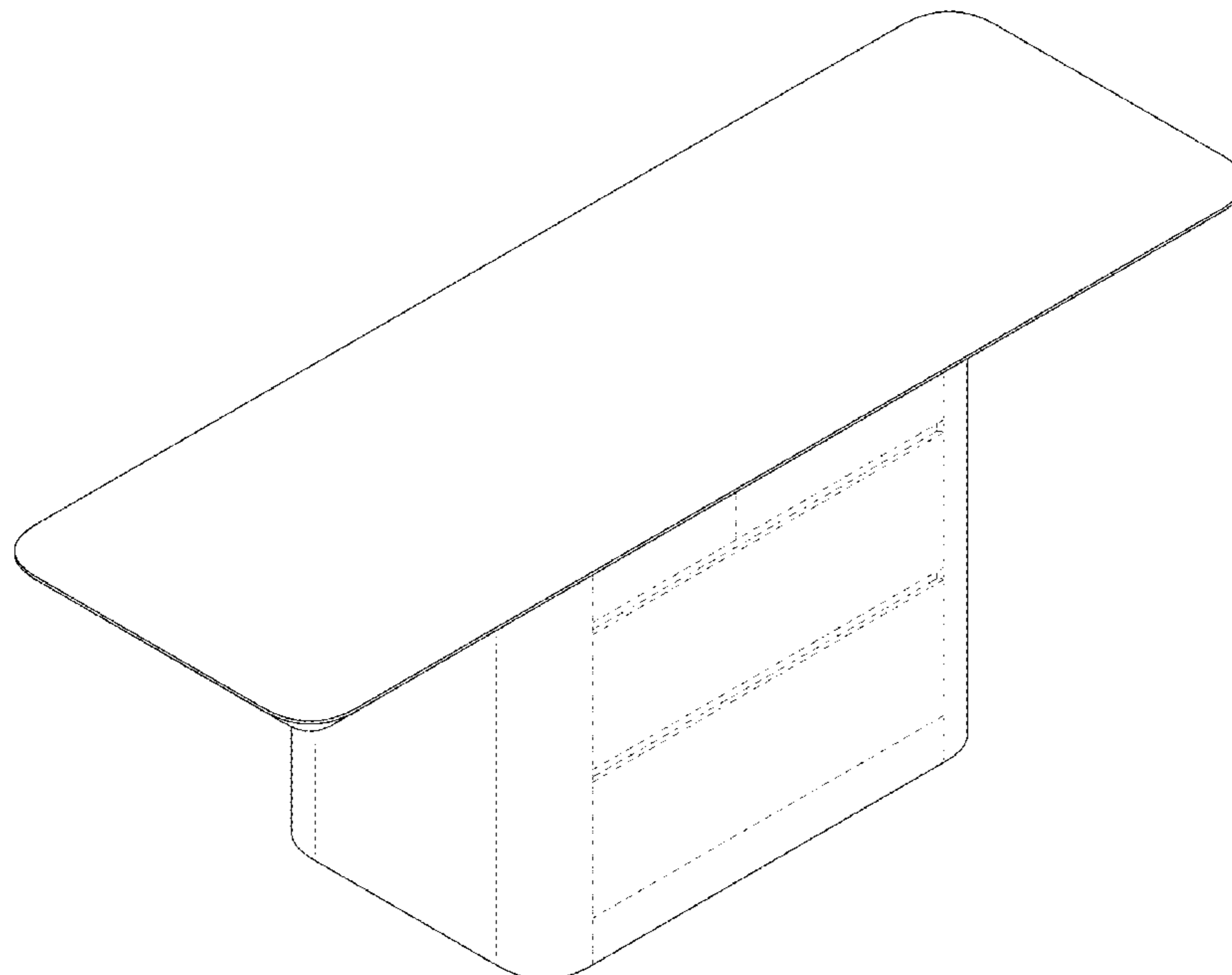
FIG. 1 is a top perspective view of a retail fixture showing the claimed design;
FIG. 2 is a bottom perspective view thereof
FIG. 3 is a front view thereof
FIG. 4 is a rear view thereof;
FIG. 5 is a left side view thereof;
FIG. 6 is a right side view thereof;
FIG. 7 is a top view thereof; and,
FIG. 8 is a bottom view thereof.
The broken lines in the figures show portions of the retail fixture that form no part of the claimed design.

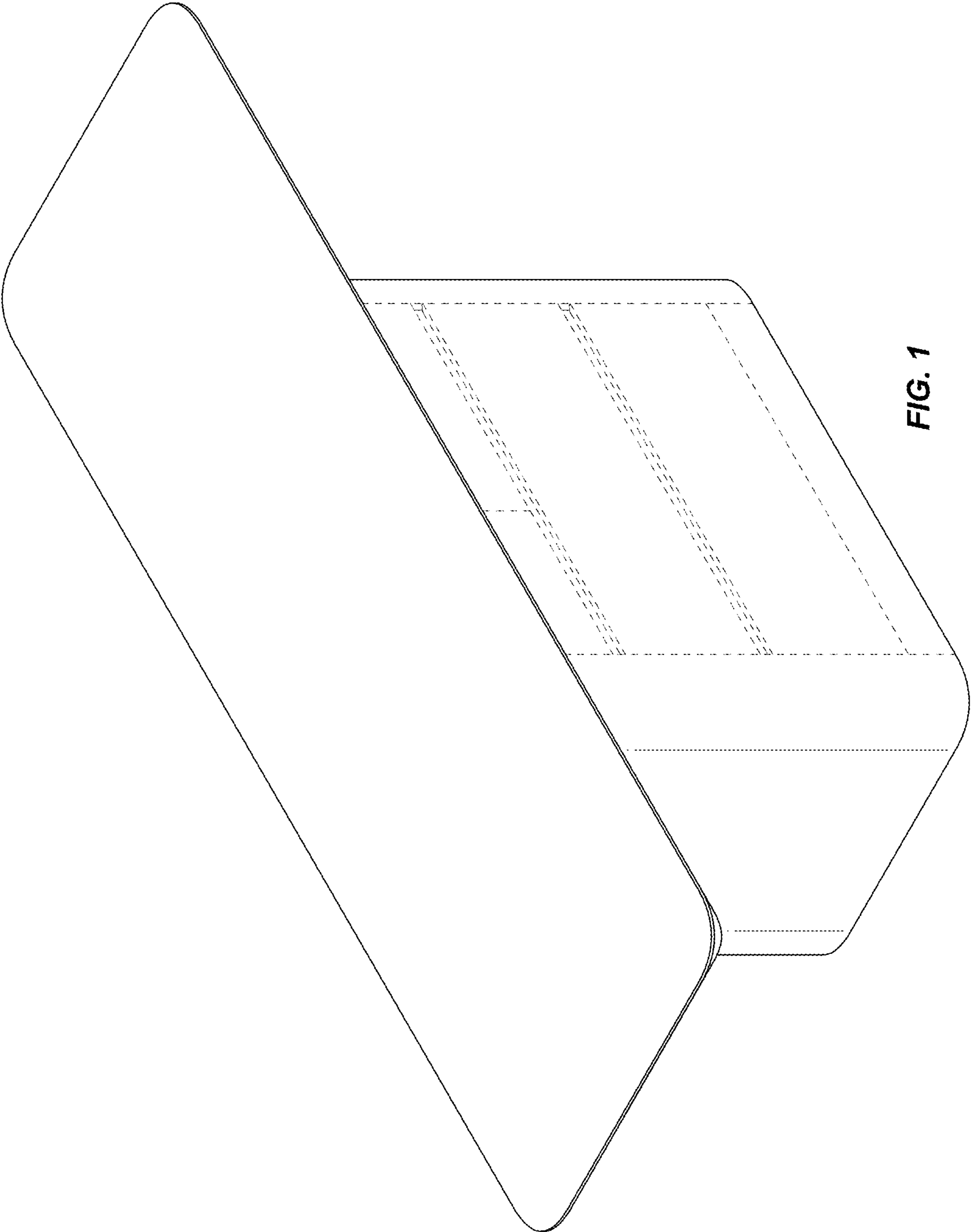
(56) **References Cited**

U.S. PATENT DOCUMENTS

3,583,781 A * 6/1971 Yamawaki A47B 3/00 312/258
D306,664 S * 3/1990 Pouch D6/699
D417,981 S * 12/1999 Zwicker A47B 3/00 D6/699.1
D917,937 S 5/2021 DeJesus et al.
D929,782 S * 9/2021 Taylor D6/690
D938,211 S * 12/2021 Inouye D6/699

1 Claim, 6 Drawing Sheets





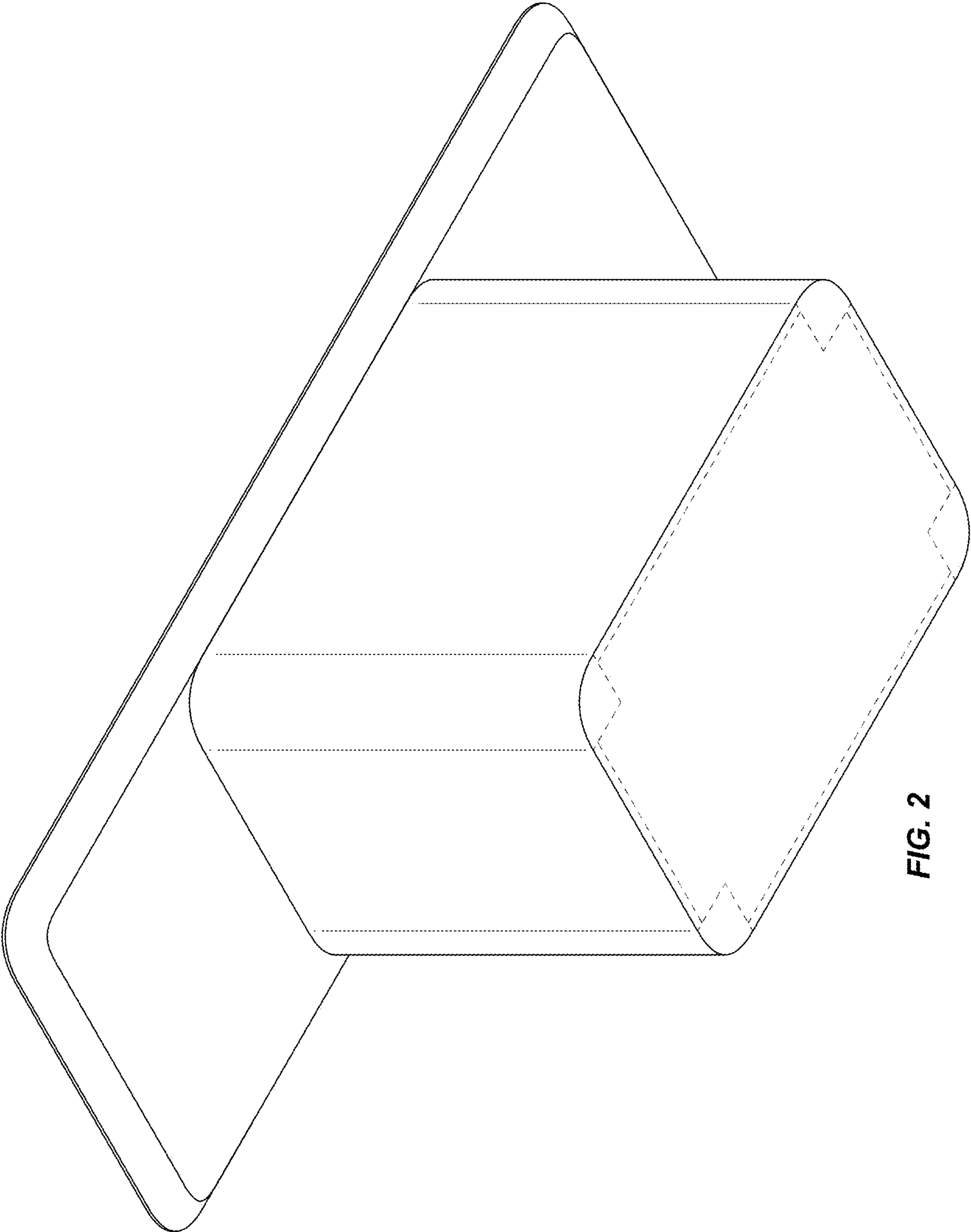


FIG. 2

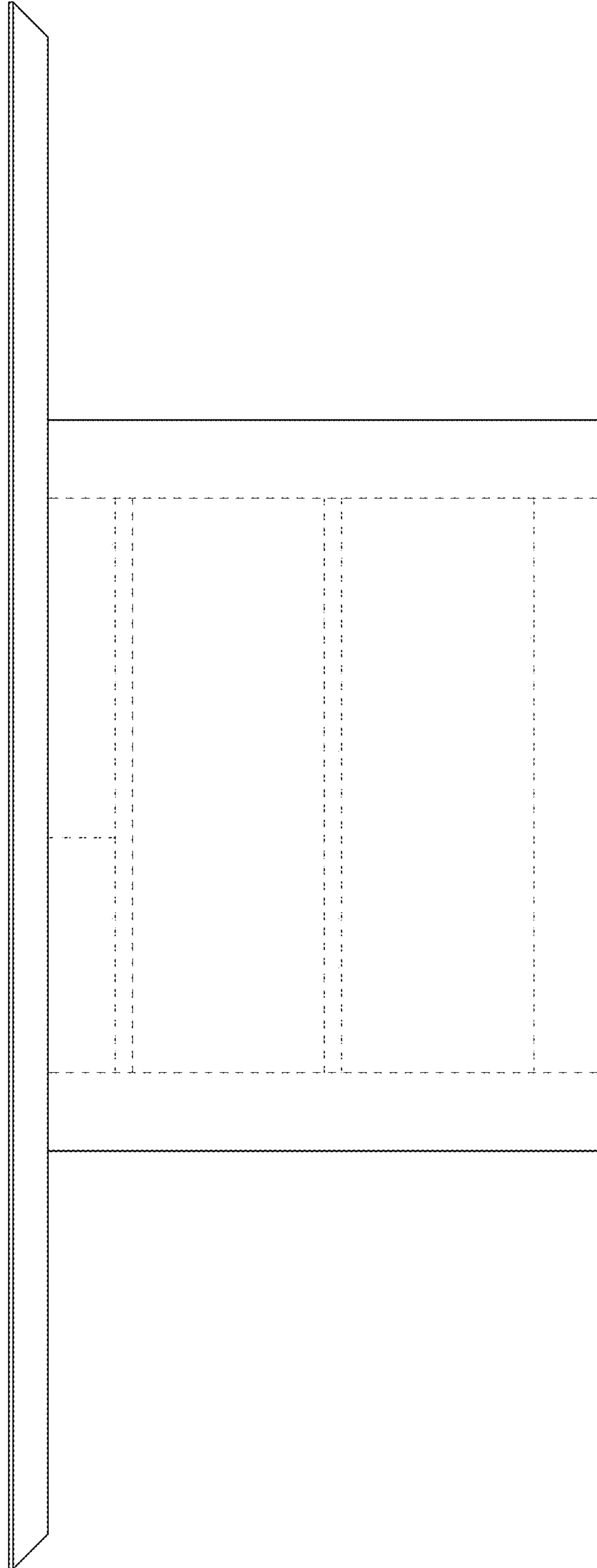


FIG. 3

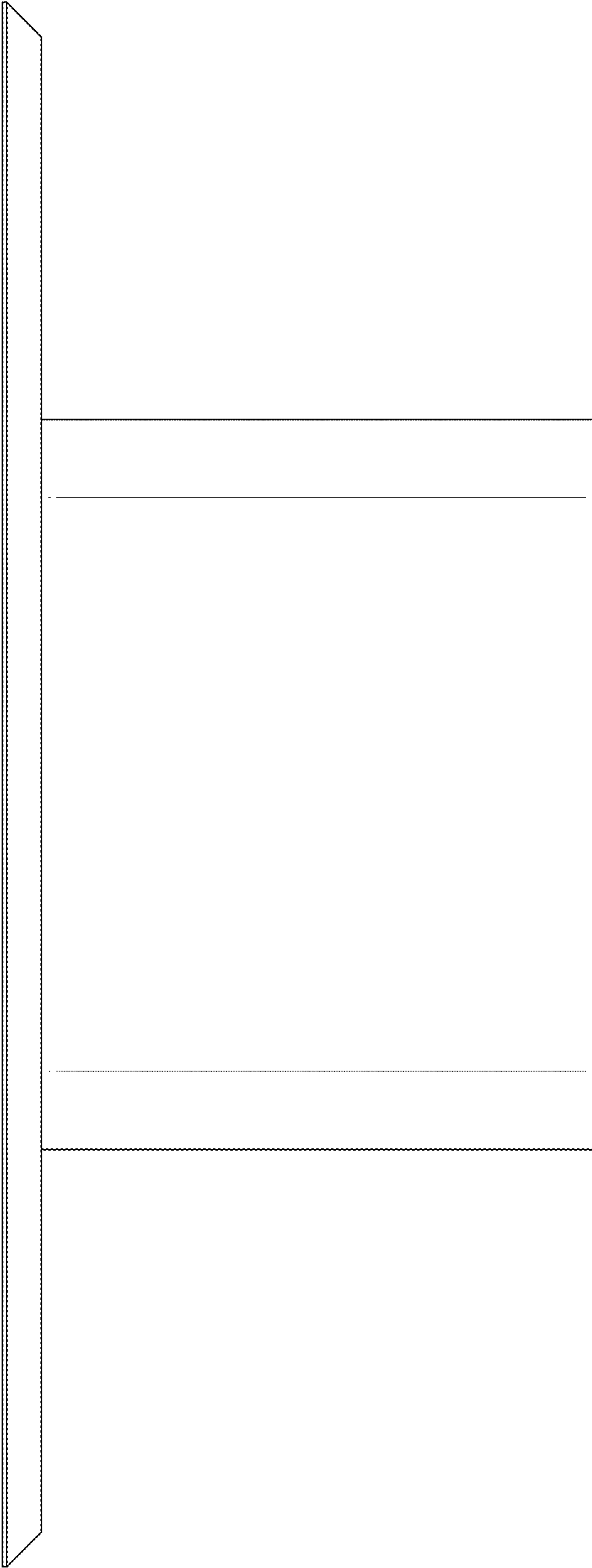


FIG. 4

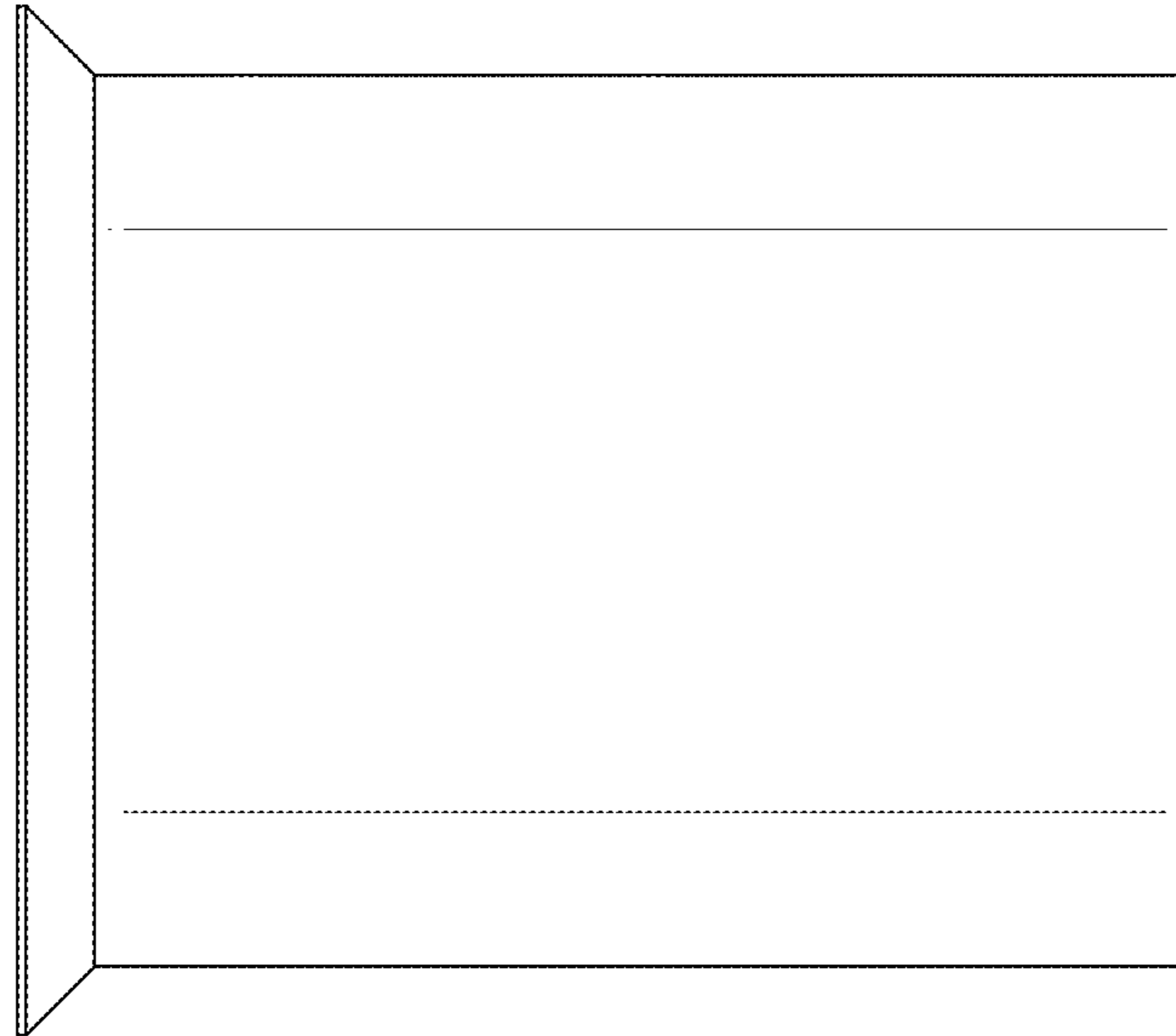


FIG. 6

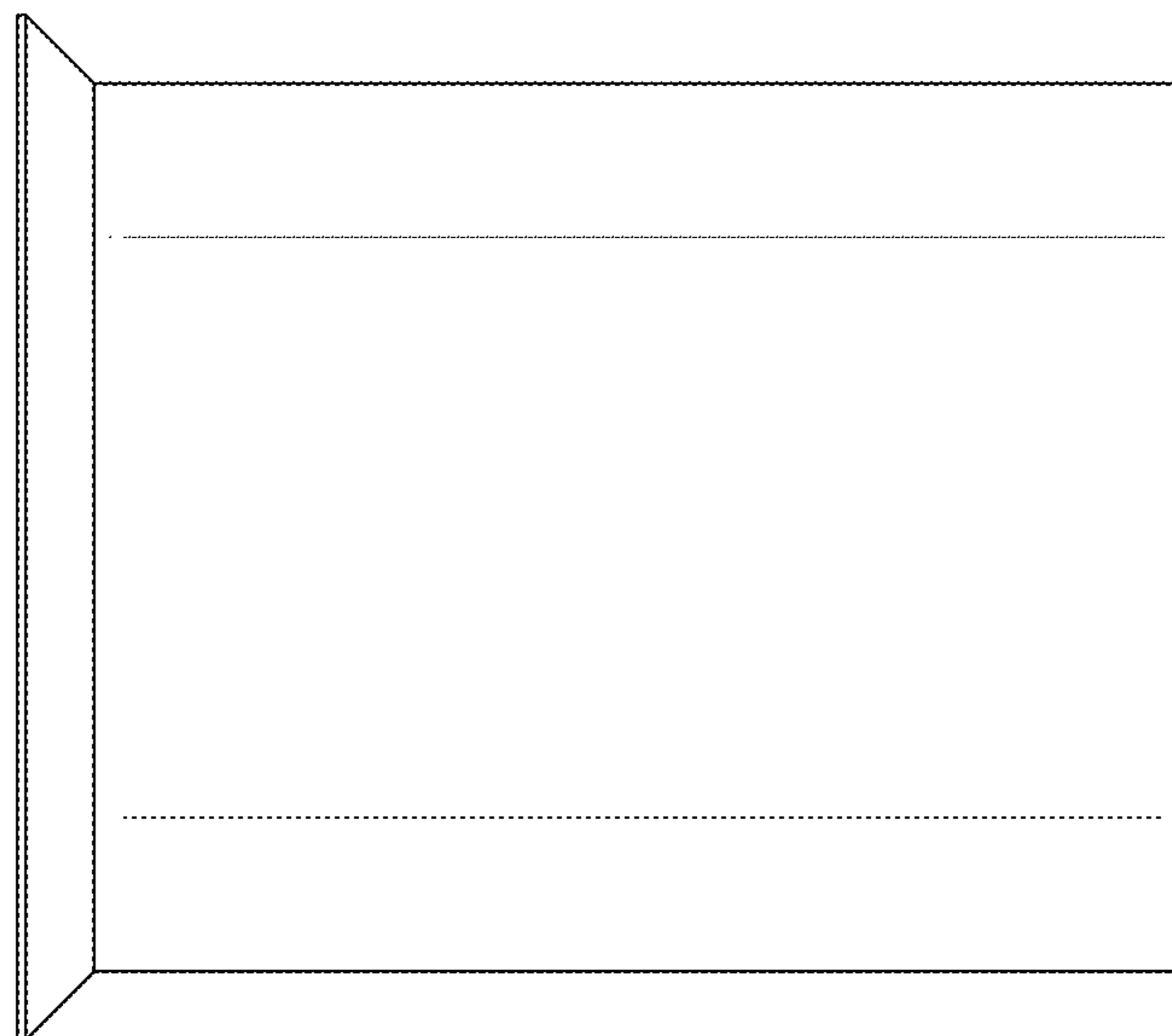


FIG. 5

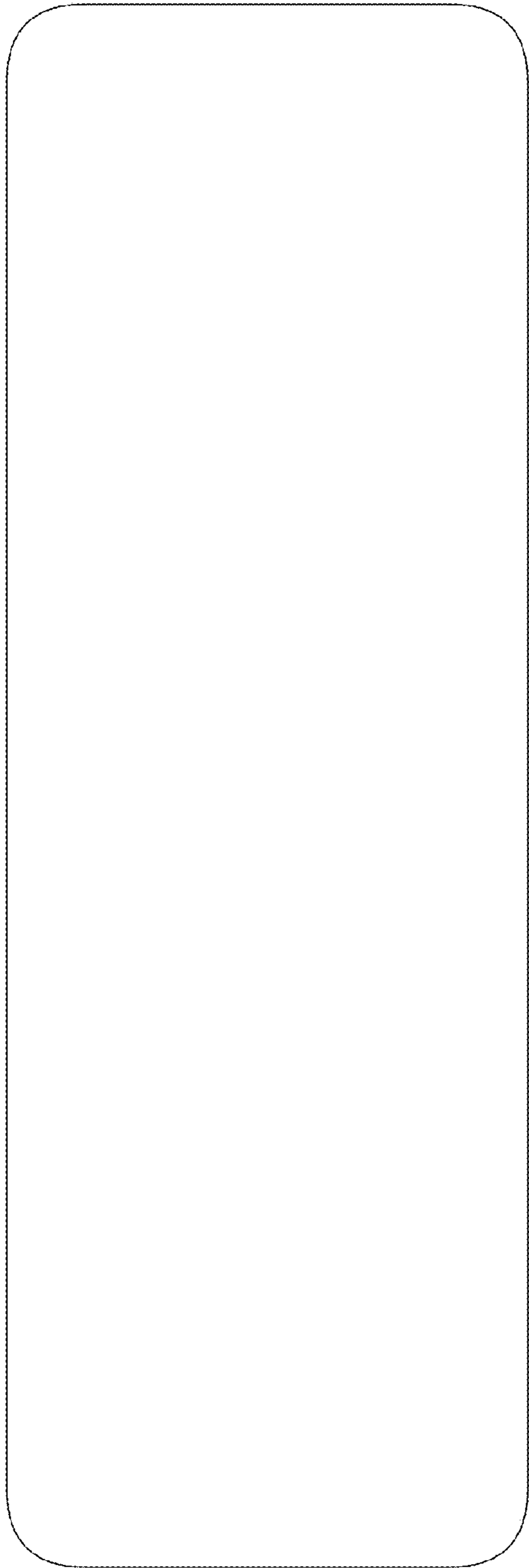


FIG. 7

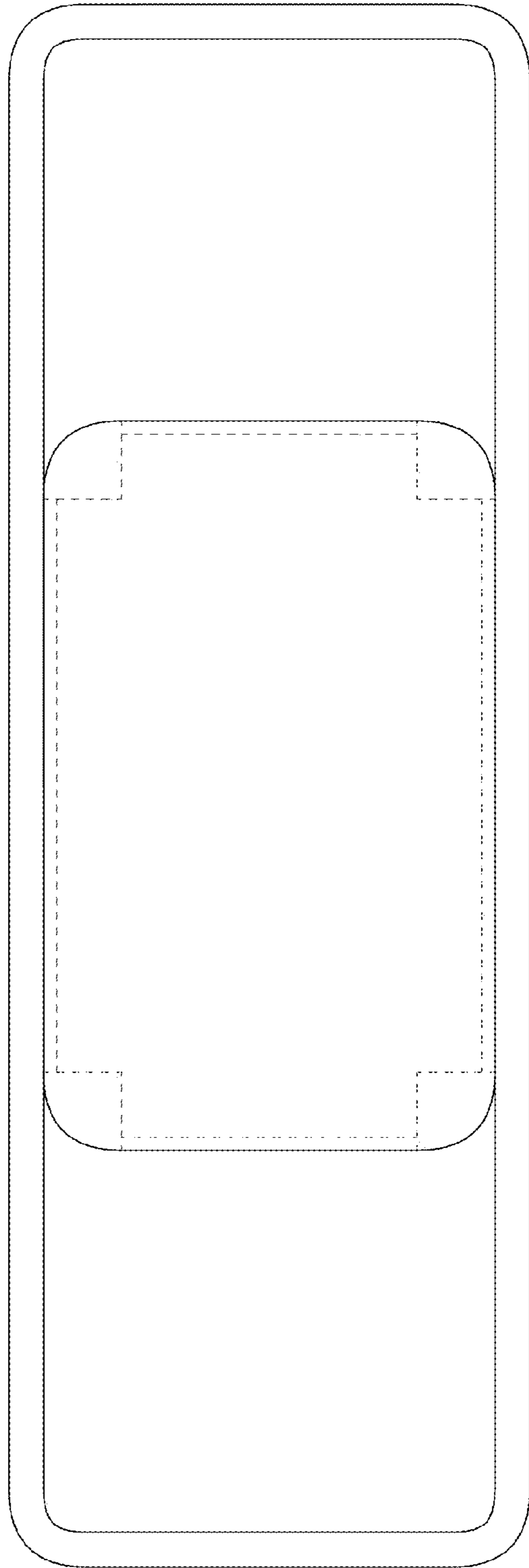


FIG. 8