



US00D980659S

(12) **United States Design Patent**
Finger et al.

(10) **Patent No.:** **US D980,659 S**

(45) **Date of Patent:** **** Mar. 14, 2023**

(54) **TABLE**

(71) Applicant: **Apple Inc.**, Cupertino, CA (US)

(72) Inventors: **Tracey Adam Finger**, Miami Beach, FL (US); **Alice Marlin Brugger**, San Francisco, CA (US); **Scott J. Gardenhire**, San Francisco, CA (US); **Constantino Siampos**, Alameda, CA (US); **Jean-Marc Gady**, Los Altos, CA (US); **Gregory Guillaume Lespinard**, San Jose, CA (US)

(73) Assignee: **Apple Inc.**, Cupertino, CA (US)

(**) Term: **15 Years**

(21) Appl. No.: **29/774,973**

(22) Filed: **Mar. 19, 2021**

(51) **LOC (14) Cl.** **06-03**

(52) **U.S. Cl.**
USPC **D6/691.5**

(58) **Field of Classification Search**
USPC D6/349, 641, 642, 656, 686, 690, 691, D6/691.1-691.9, 698, 699
CPC A47B 7/00; A47B 13/00; A47B 13/02; A47B 13/04; A47B 13/06; A47B 13/08; A47B 13/10; A47B 13/12; A47B 17/00; A47B 21/00; A47B 2200/0001; A47B 2200/0011; A47B 2200/002
See application file for complete search history.

(56) **References Cited**

U.S. PATENT DOCUMENTS

3,212,464 A * 10/1965 Steuer A47C 5/005
108/150
D466,337 S * 12/2002 Feng D6/689

D485,094 S * 1/2004 Chang D6/690
D505,282 S * 5/2005 Miyakawa D6/691.8
D548,494 S * 8/2007 Mercs D6/690
D644,456 S * 9/2011 Martin D6/690
D655,537 S * 3/2012 Rüter D6/709
D728,281 S 5/2015 Heirakuji et al.
D765,450 S 9/2016 Biddle et al.
D766,630 S 9/2016 Akana et al.
D769,654 S 10/2016 Akana et al.
D773,868 S 12/2016 Schwalbach et al.
D774,807 S * 12/2016 Biddle D6/691
D877,547 S 3/2020 Dejesus et al.
D926,504 S * 8/2021 Van Faasen D6/691

* cited by examiner

Primary Examiner — Mary Ann Calabrese

(74) *Attorney, Agent, or Firm* — Sterne, Kessler, Goldstein & Fox P.L.L.C.

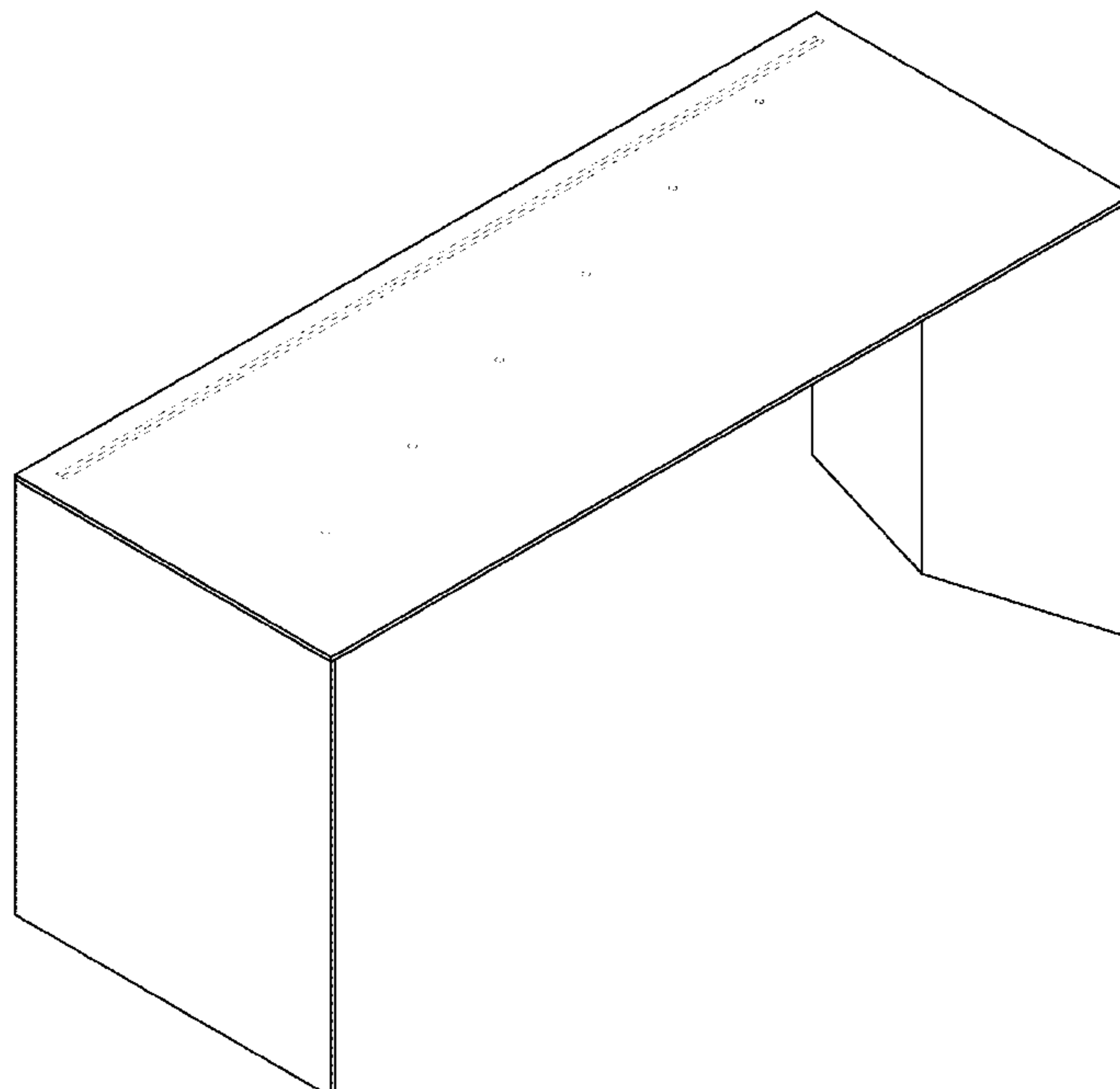
(57) **CLAIM**

The ornamental design for a table, as shown and described.

DESCRIPTION

FIG. 1 is a top perspective view of a table showing the claimed design;
FIG. 2 is a bottom perspective view thereof;
FIG. 3 is a front view thereof;
FIG. 4 is a rear view thereof;
FIG. 5 is a left side view thereof;
FIG. 6 is a right side view thereof;
FIG. 7 is a top view thereof; and,
FIG. 8 is a bottom view thereof.
The broken lines in the figures show portions of the table that form no part of the claimed design.

1 Claim, 6 Drawing Sheets



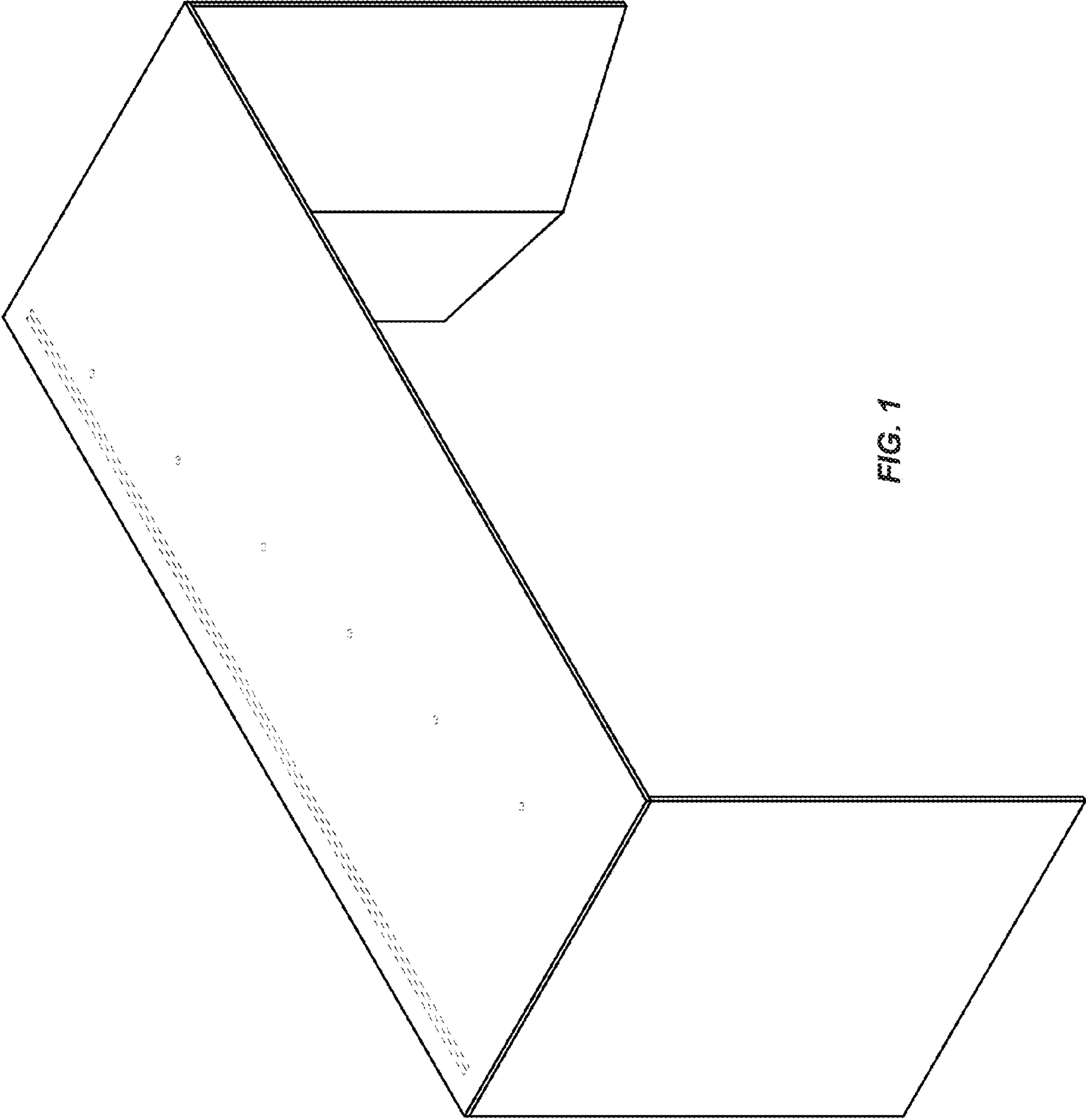


FIG. 1

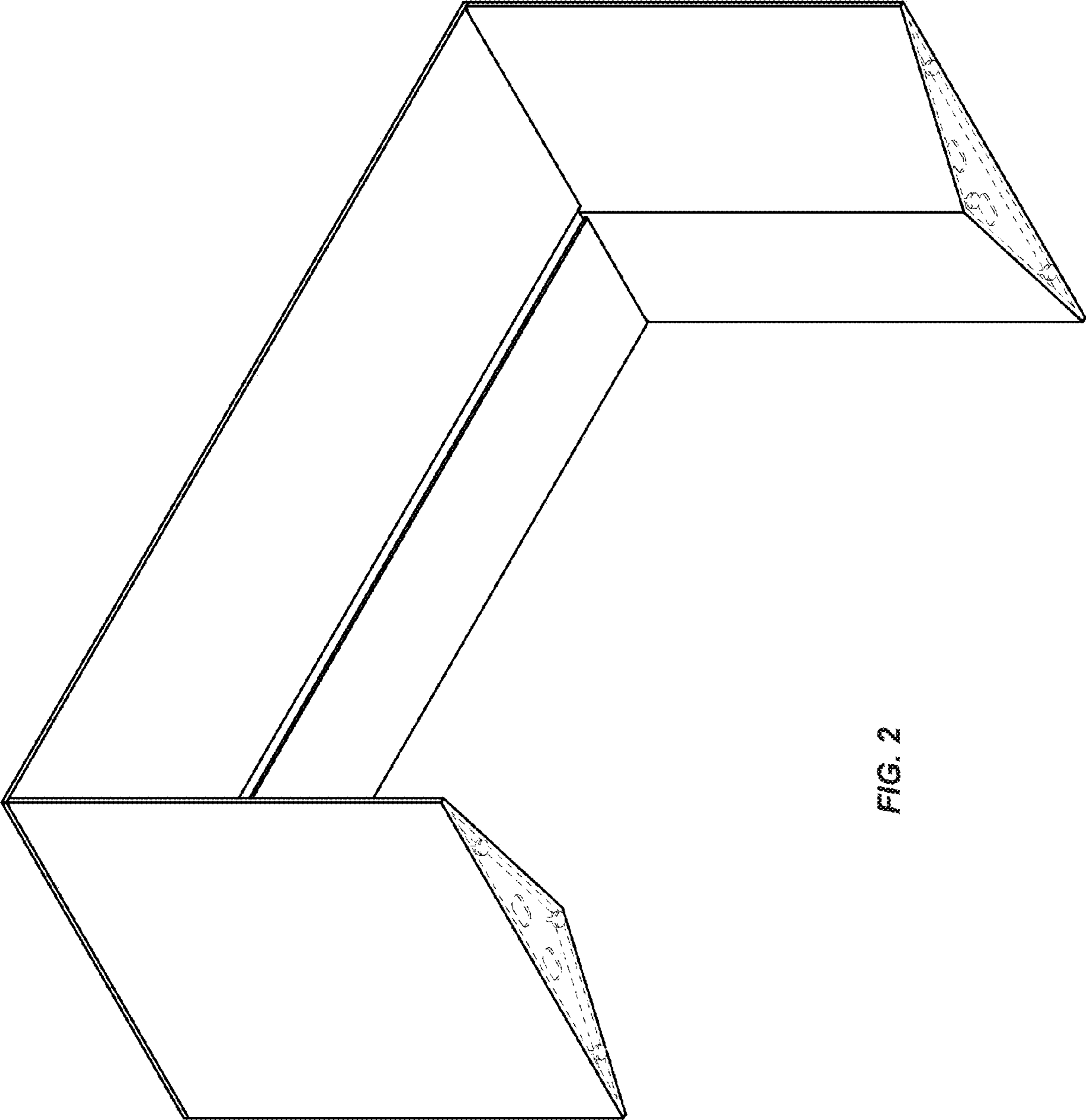


FIG. 2

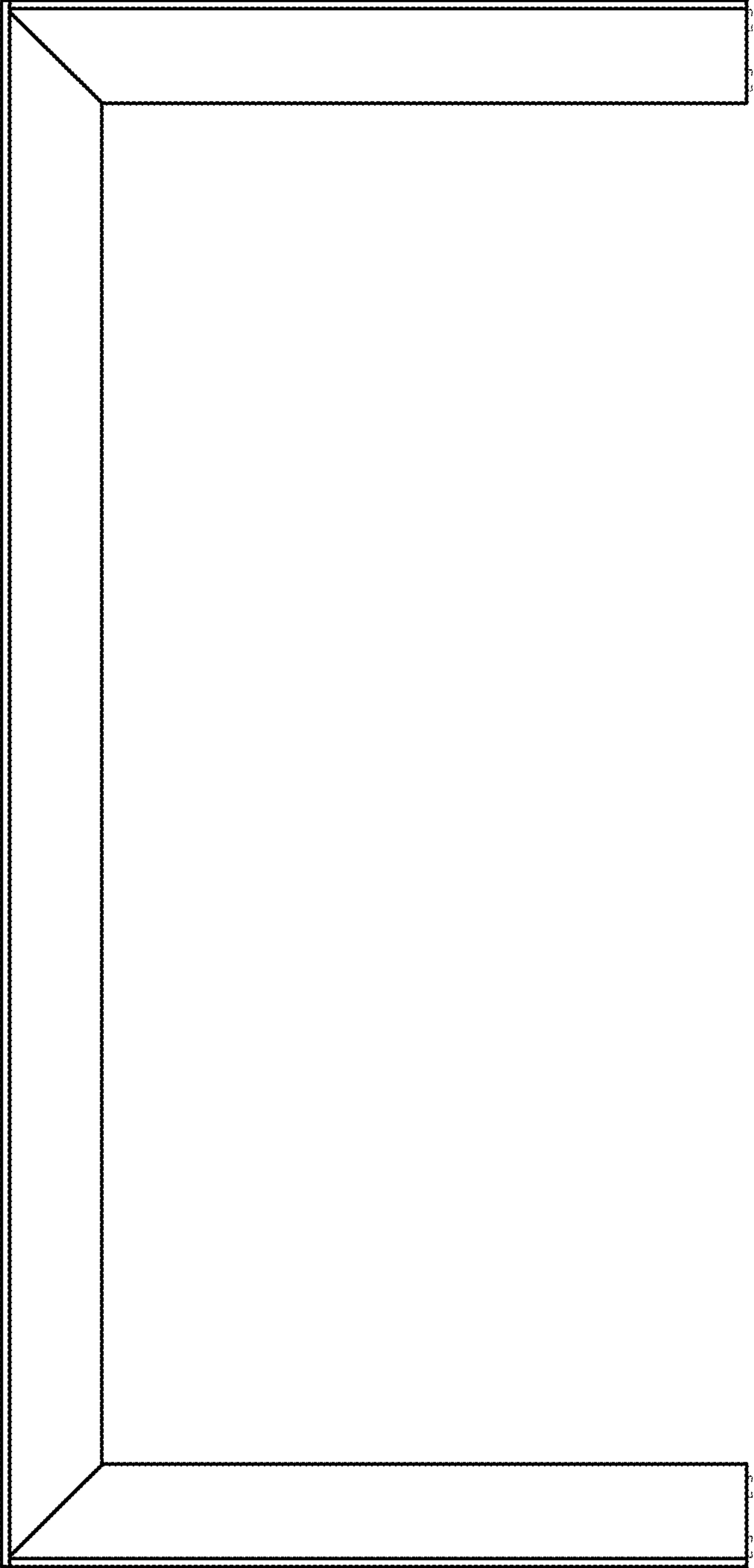


FIG. 3

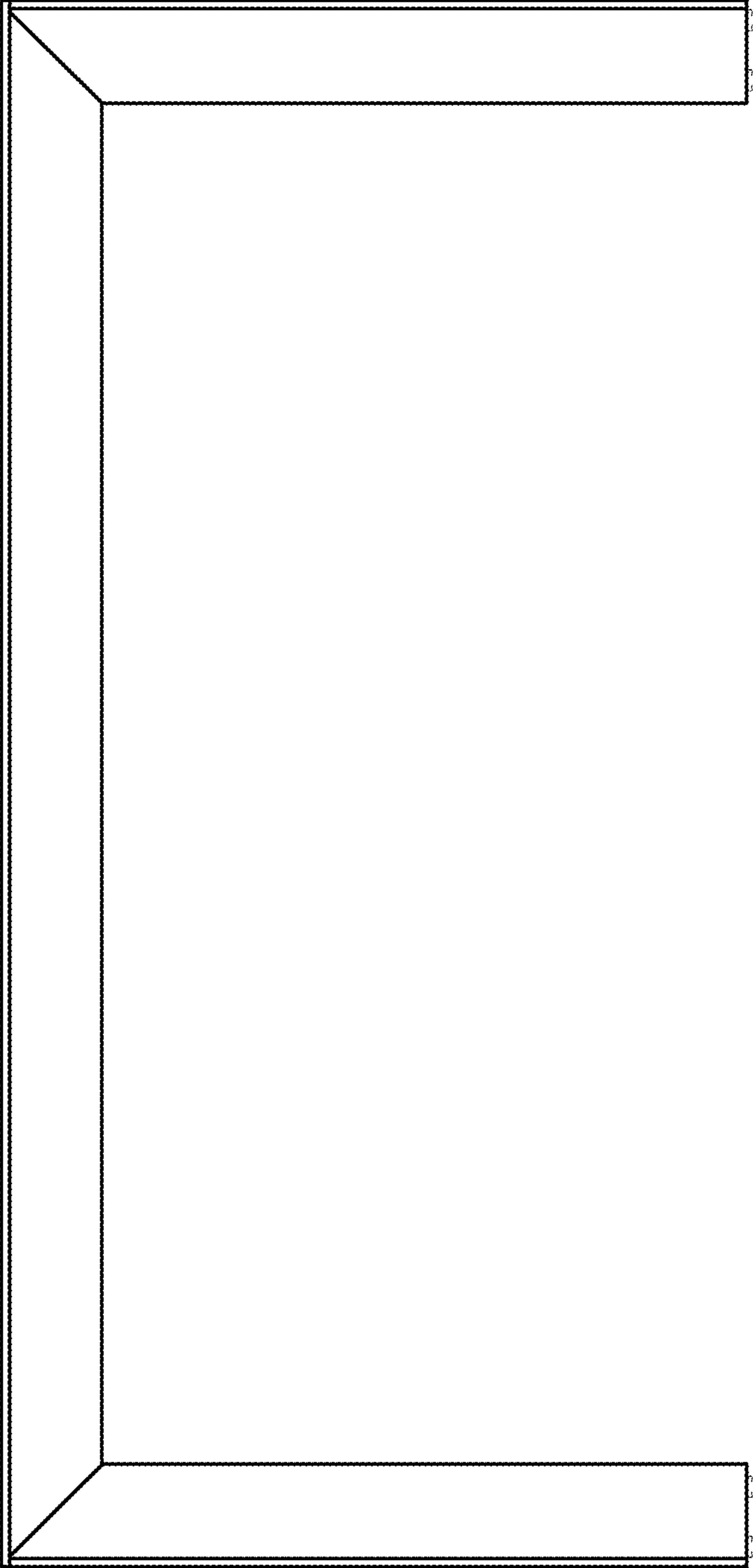


FIG. 4

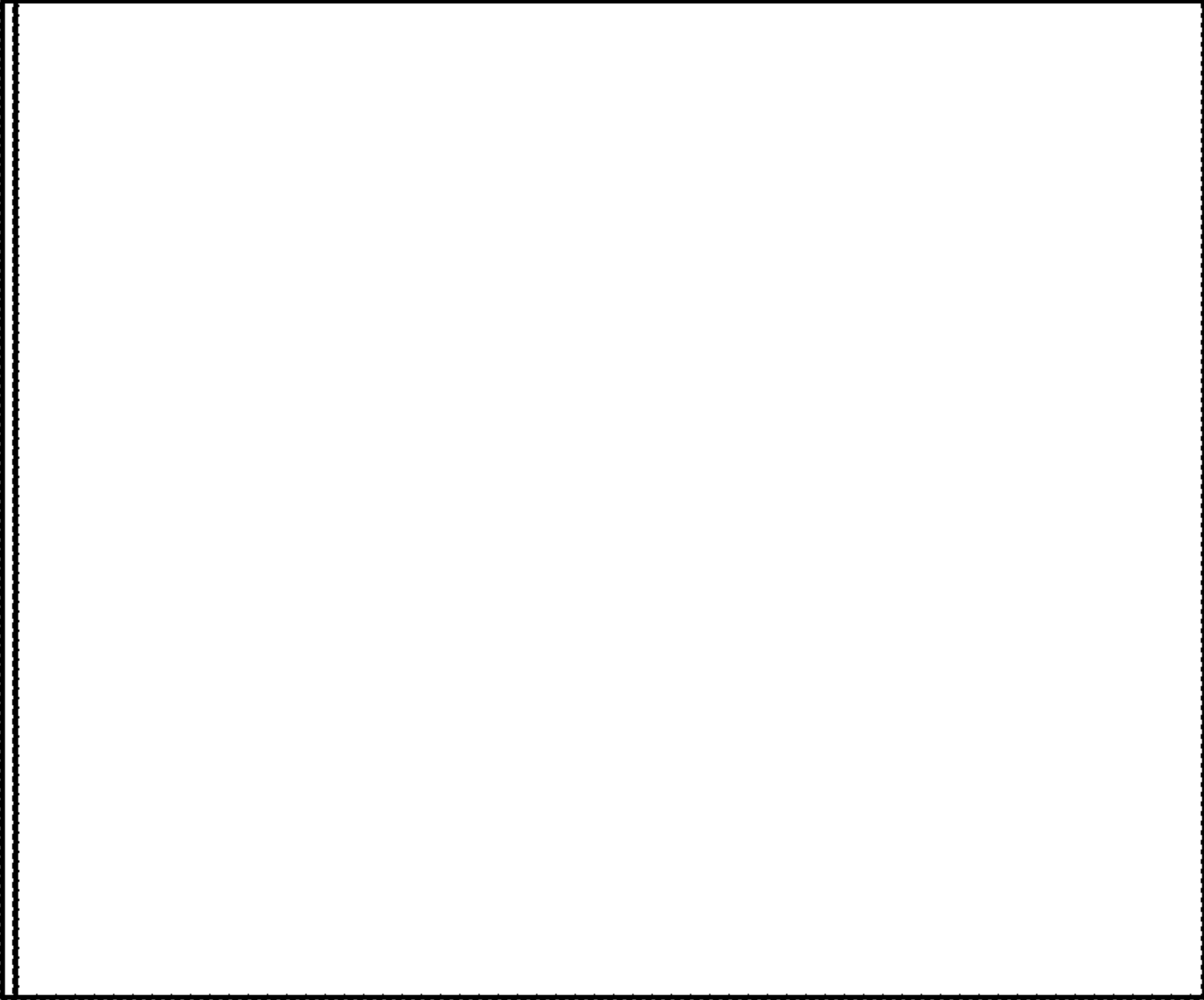


FIG. 6

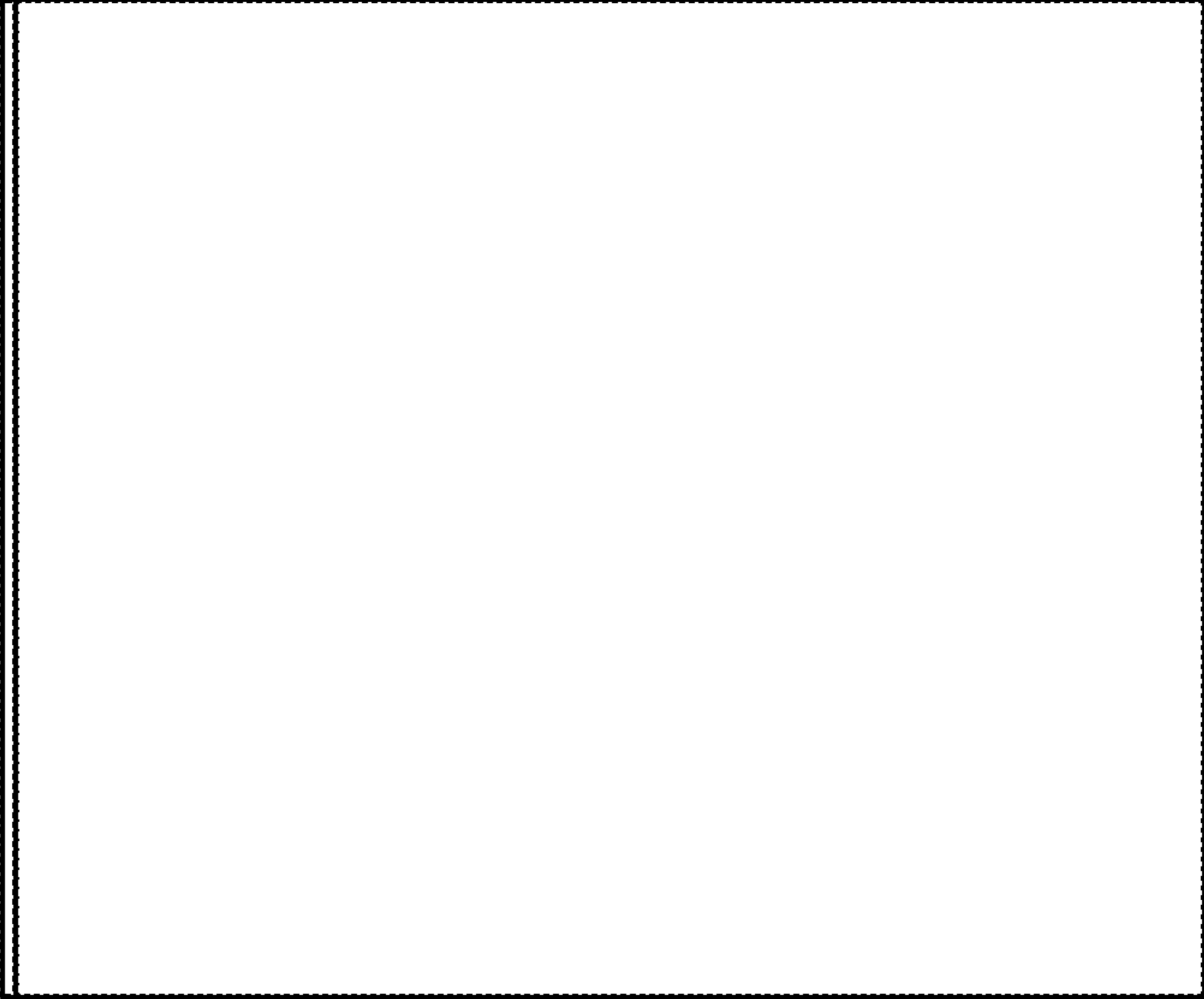


FIG. 5

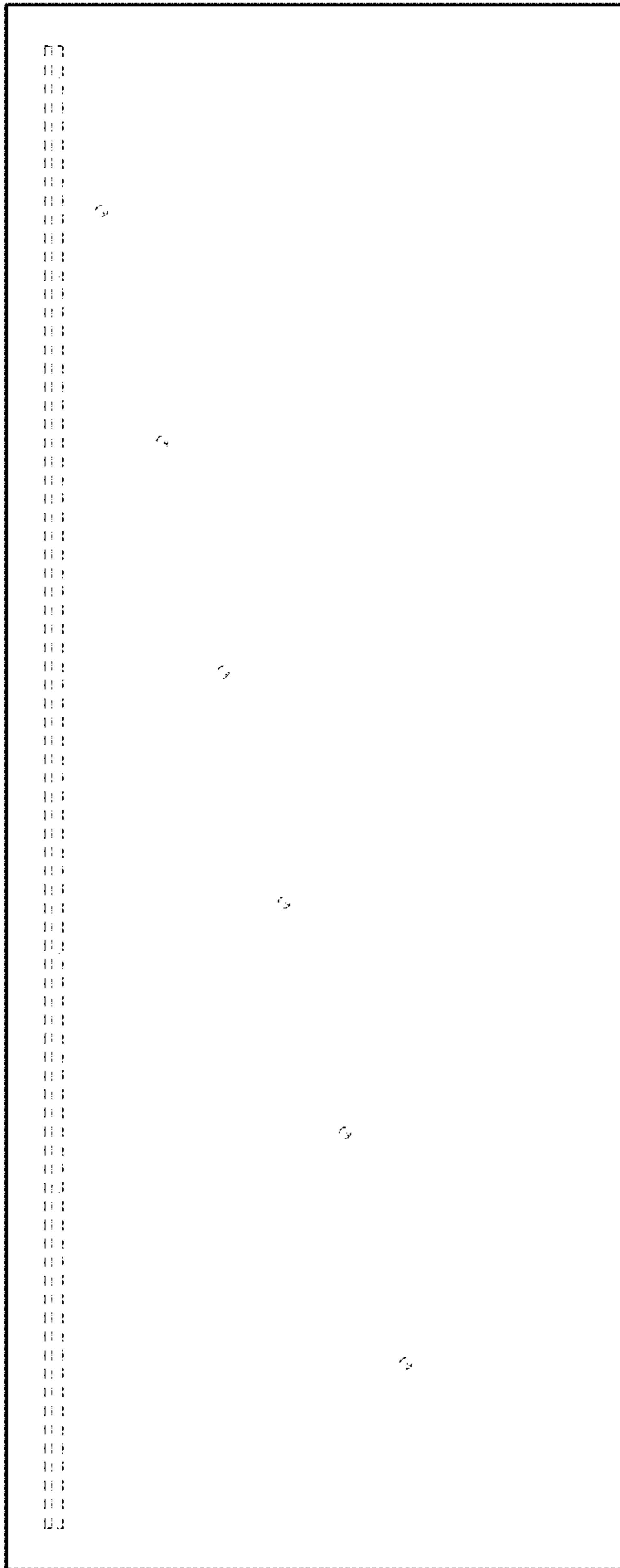


FIG. 7

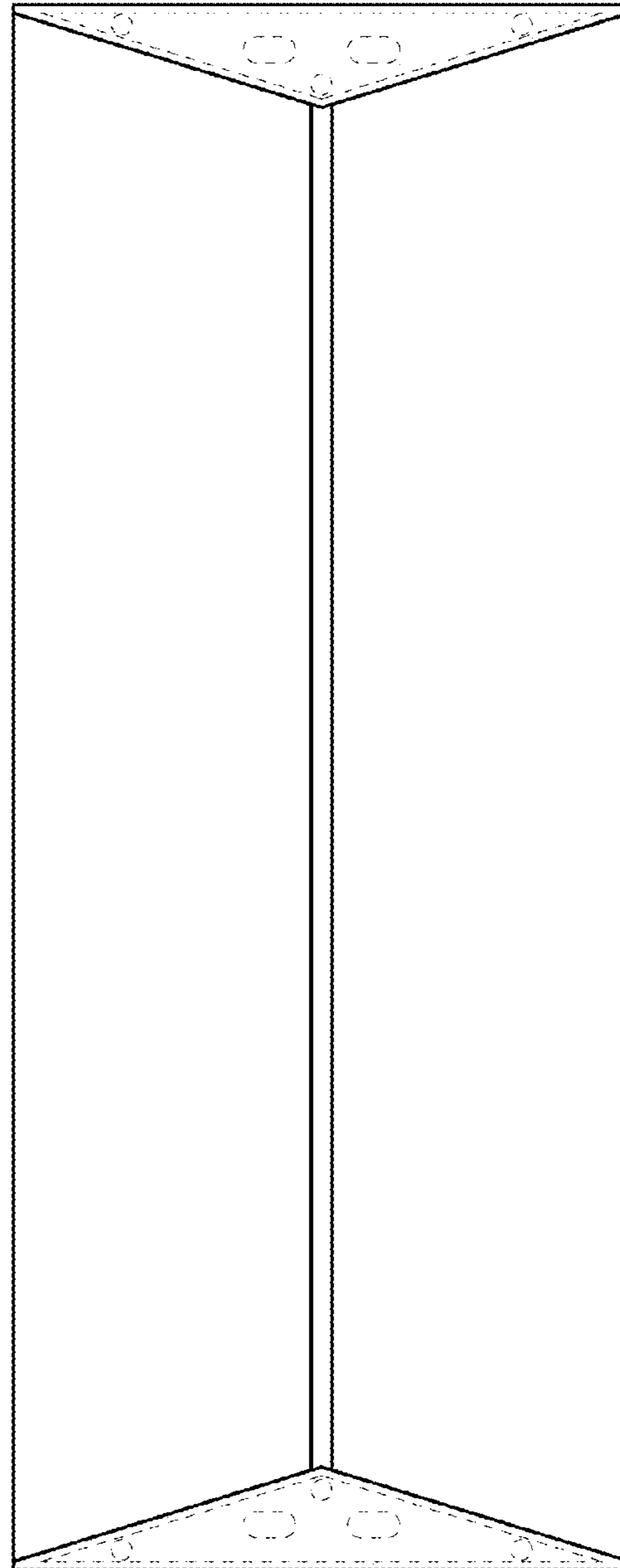


FIG. 8