



US00D980658S

(12) **United States Design Patent**  
**Gao**

(10) **Patent No.:** **US D980,658 S**

(45) **Date of Patent:** **\*\* Mar. 14, 2023**

(54) **CABINET**

(71) Applicant: **Yingdi Gao**, Luoyang (CN)

(72) Inventor: **Yingdi Gao**, Luoyang (CN)

(\*\*) Term: **15 Years**

(21) Appl. No.: **29/858,995**

(22) Filed: **Nov. 7, 2022**

(51) **LOC (14) Cl.** ..... **06-04**

(52) **U.S. Cl.**  
USPC ..... **D6/671.1**

(58) **Field of Classification Search**  
USPC ..... D6/663, 664, 671, 671.1, 671.2, 671.3,  
D6/671.4, 705, 705.2, 705.5  
CPC ..... A47B 47/00; A47B 17/04; A47B 45/00;  
A47B 47/03; A47B 47/04; A47B 63/00;  
A47B 67/00; A47B 67/04; A47B 88/00;  
A47B 88/40; A47B 88/42; A47B 47/02;  
A47B 47/05

See application file for complete search history.

(56) **References Cited**

**U.S. PATENT DOCUMENTS**

D500,929 S	*	1/2005	Walker	.....	D6/671.1
D711,169 S		8/2014	Anderson et al.		
D713,177 S	*	9/2014	Litt	.....	D6/671.1
D862,945 S		10/2019	Dratch		
D912,442 S	*	3/2021	Li	.....	D6/671.1
D943,318 S		2/2022	Pang		

**OTHER PUBLICATIONS**

Tyrese Storage Cabinet, from jossandmain.com, Retrieved Date: Jan. 3, 2023, p. 1, from <https://www.jossandmain.com/furniture/pdp/tyrese-stainless-steel-2-door-accent-cabinet-j000865966.html> (Year: 2023).\*

\* cited by examiner

*Primary Examiner* — Mimososa De

(74) *Attorney, Agent, or Firm* — Rumi Ranjit Kanakia

(57) **CLAIM**

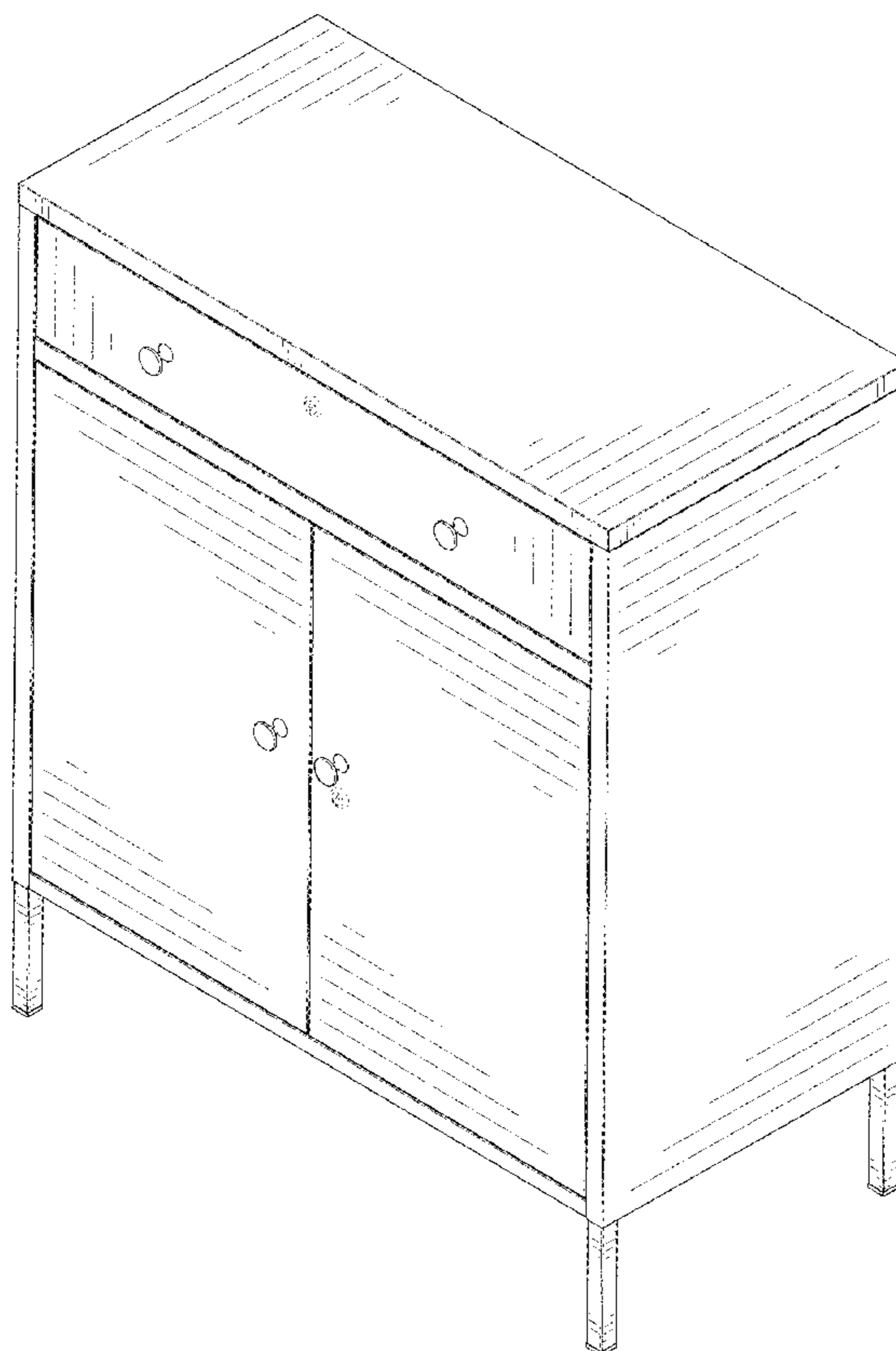
The ornamental design for a cabinet, as shown and described.

**DESCRIPTION**

FIG. 1 is a first perspective view of a cabinet showing my new design;  
FIG. 2 is a second perspective view thereof;  
FIG. 3 is a front view thereof;  
FIG. 4 is a back view thereof;  
FIG. 5 is a left side view thereof;  
FIG. 6 is a right side view thereof;  
FIG. 7 is a top view thereof; and,  
FIG. 8 is a bottom view thereof.

The broken lines shown in the drawings depict portions of the cabinet that form no part of the claimed design.

**1 Claim, 8 Drawing Sheets**



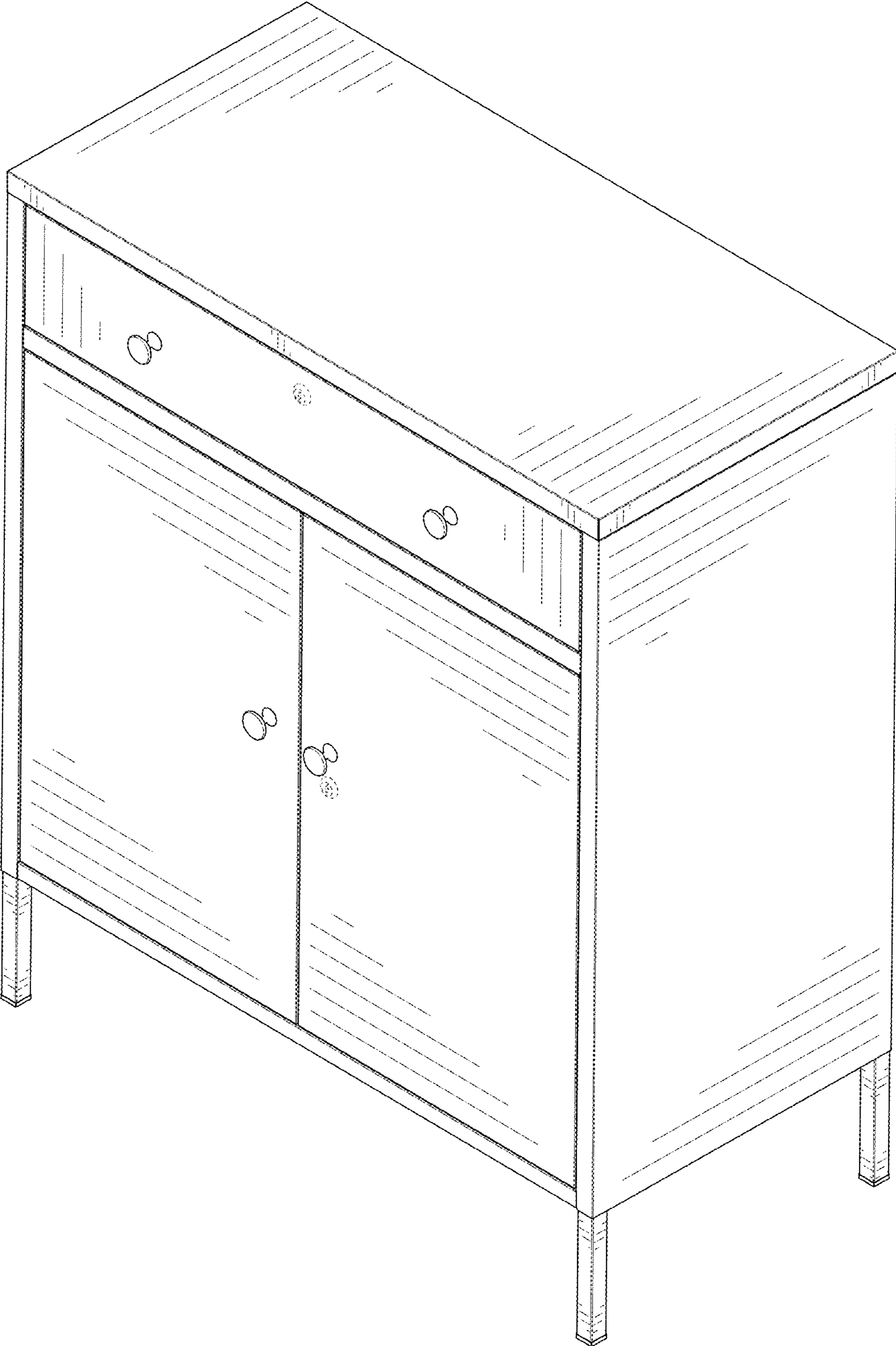


FIG. 1

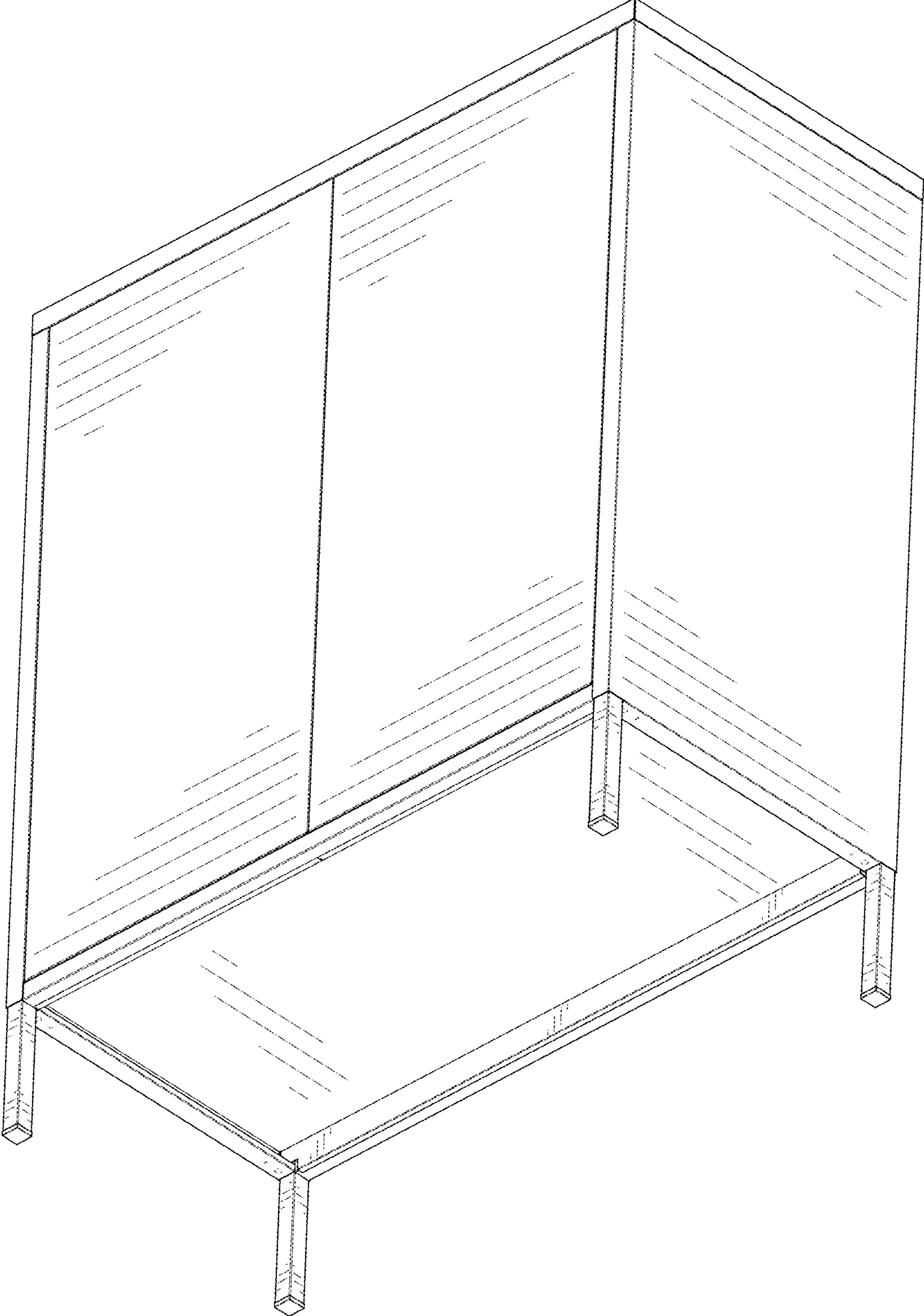


FIG. 2

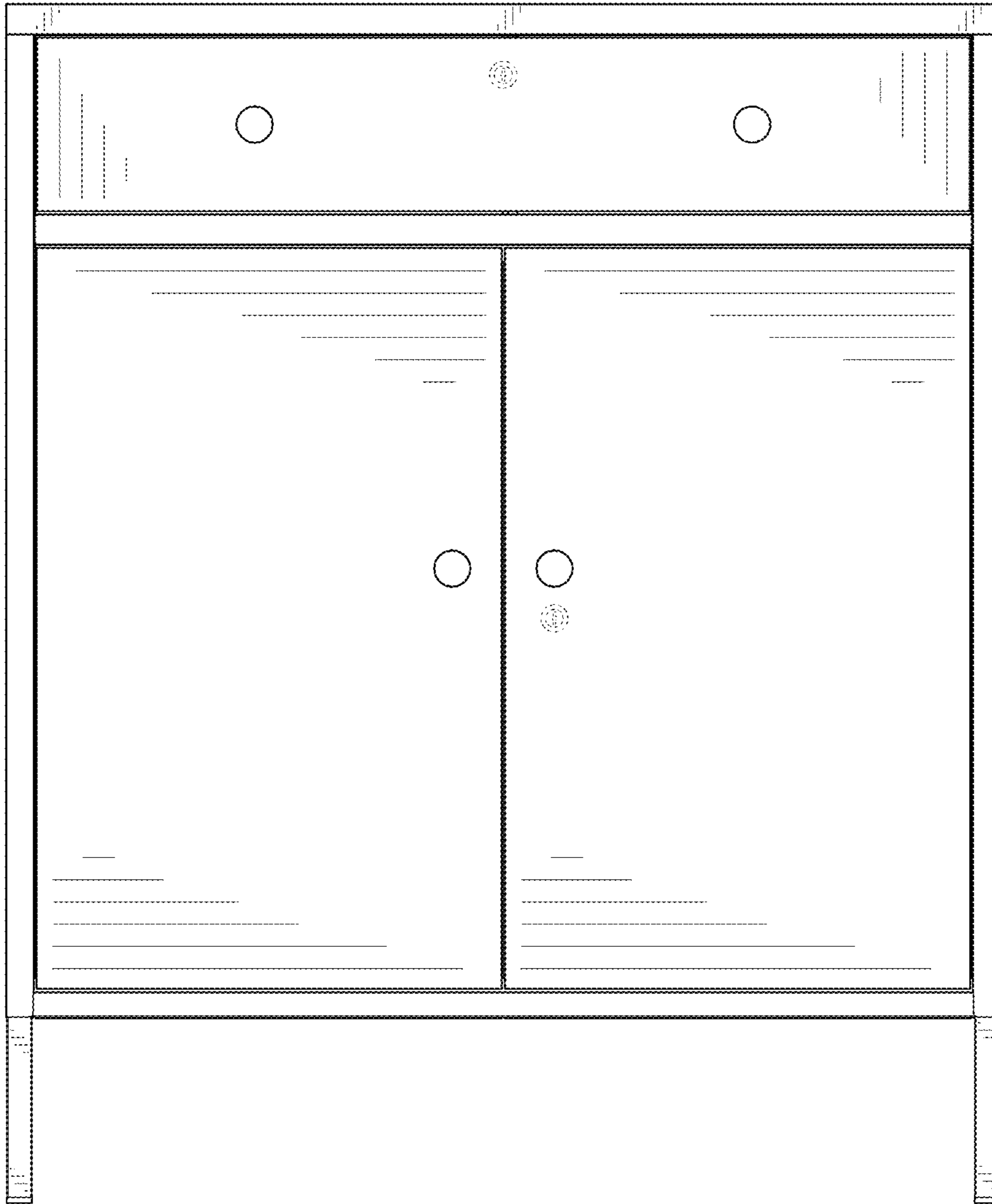


FIG. 3

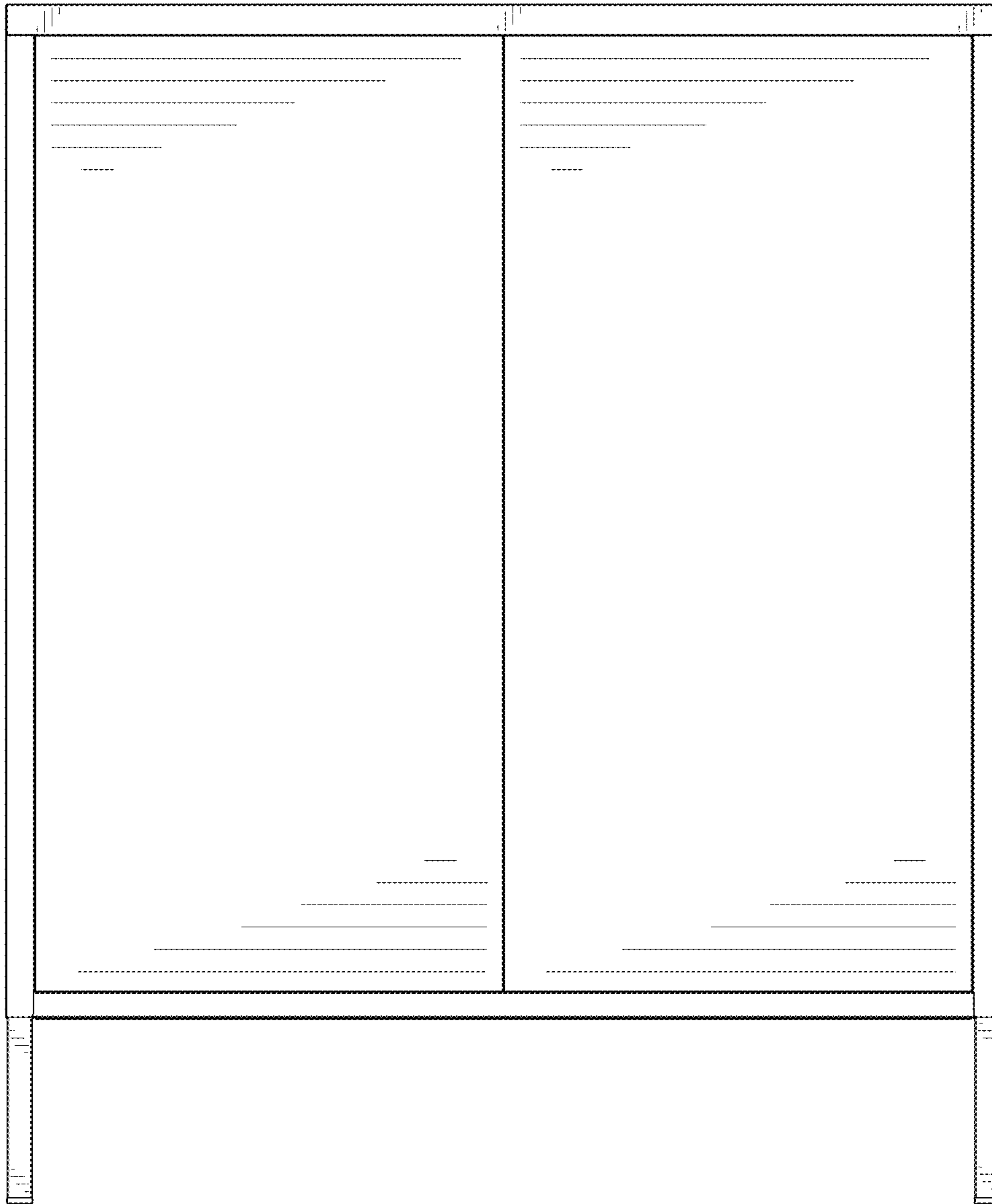


FIG. 4



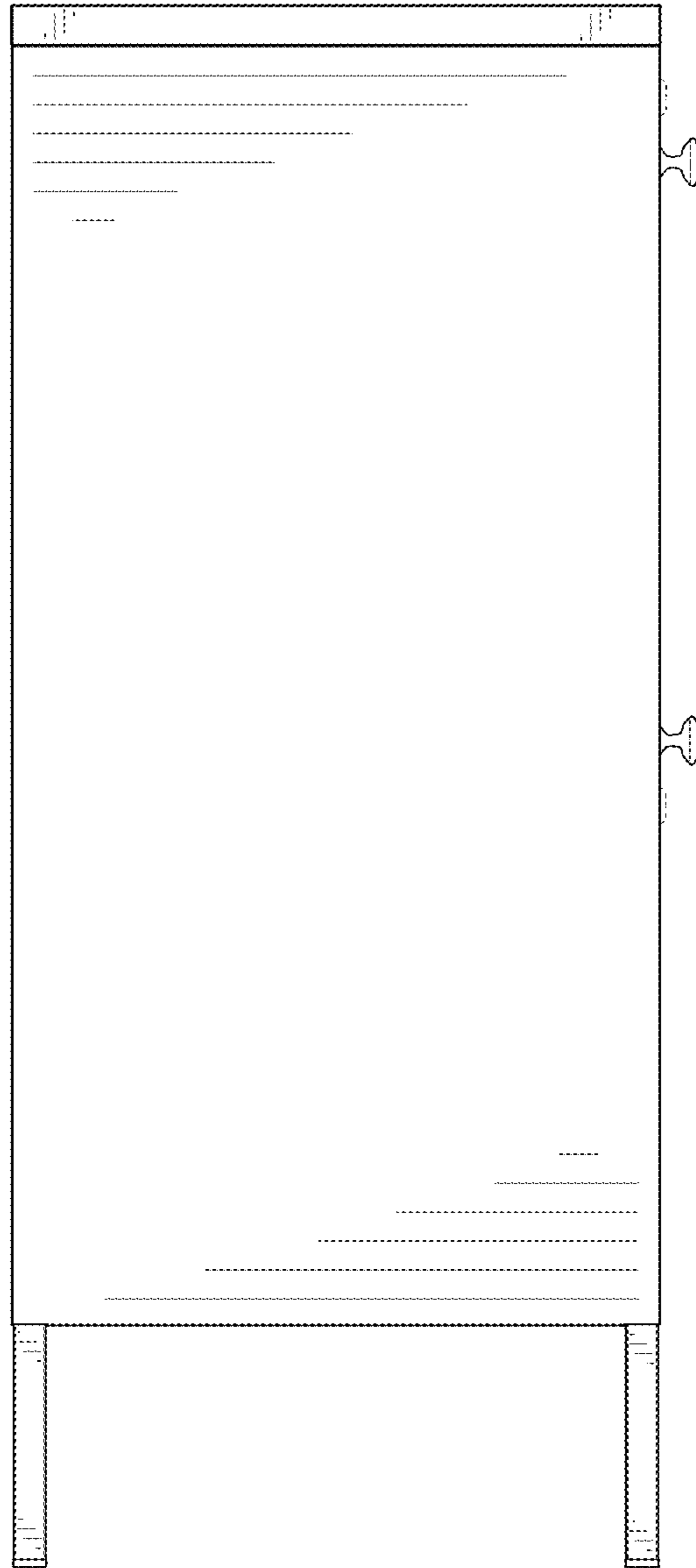


FIG. 5

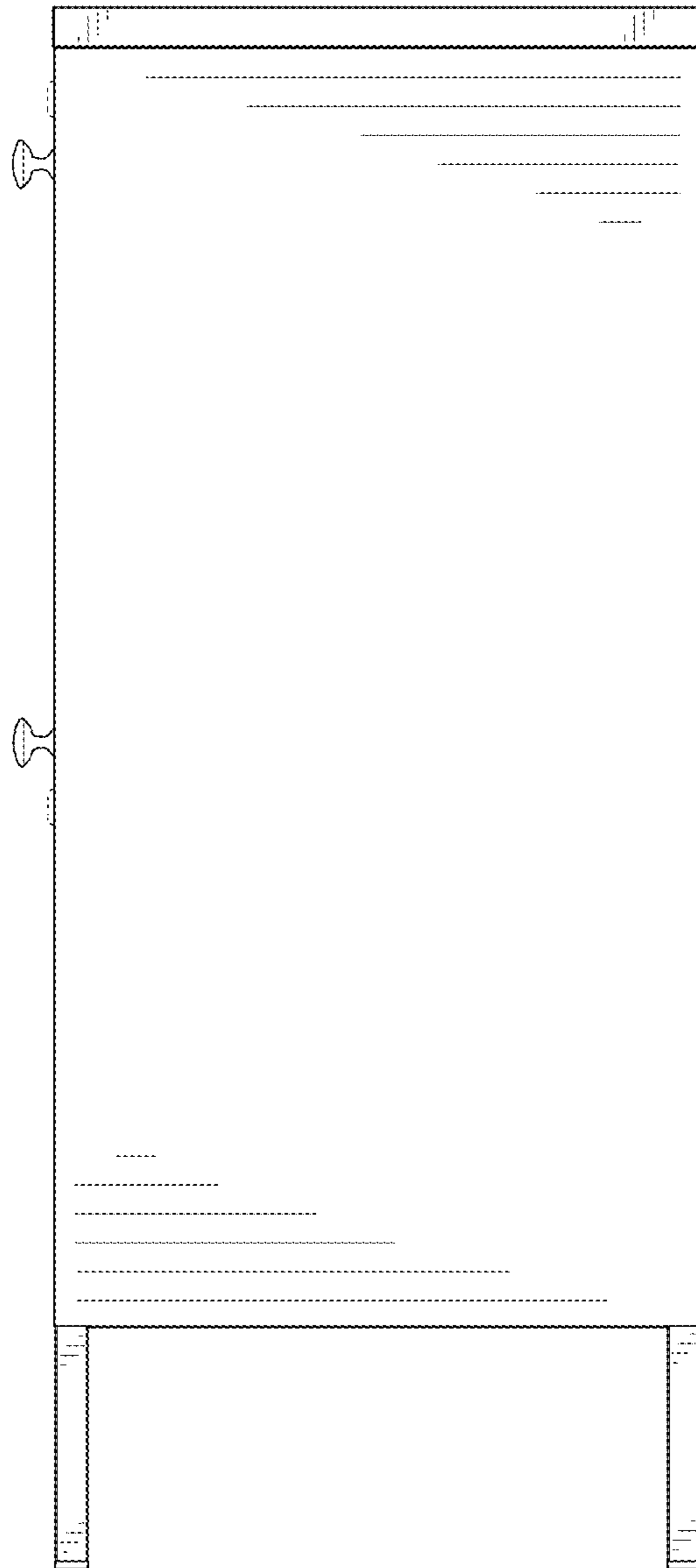


FIG. 6

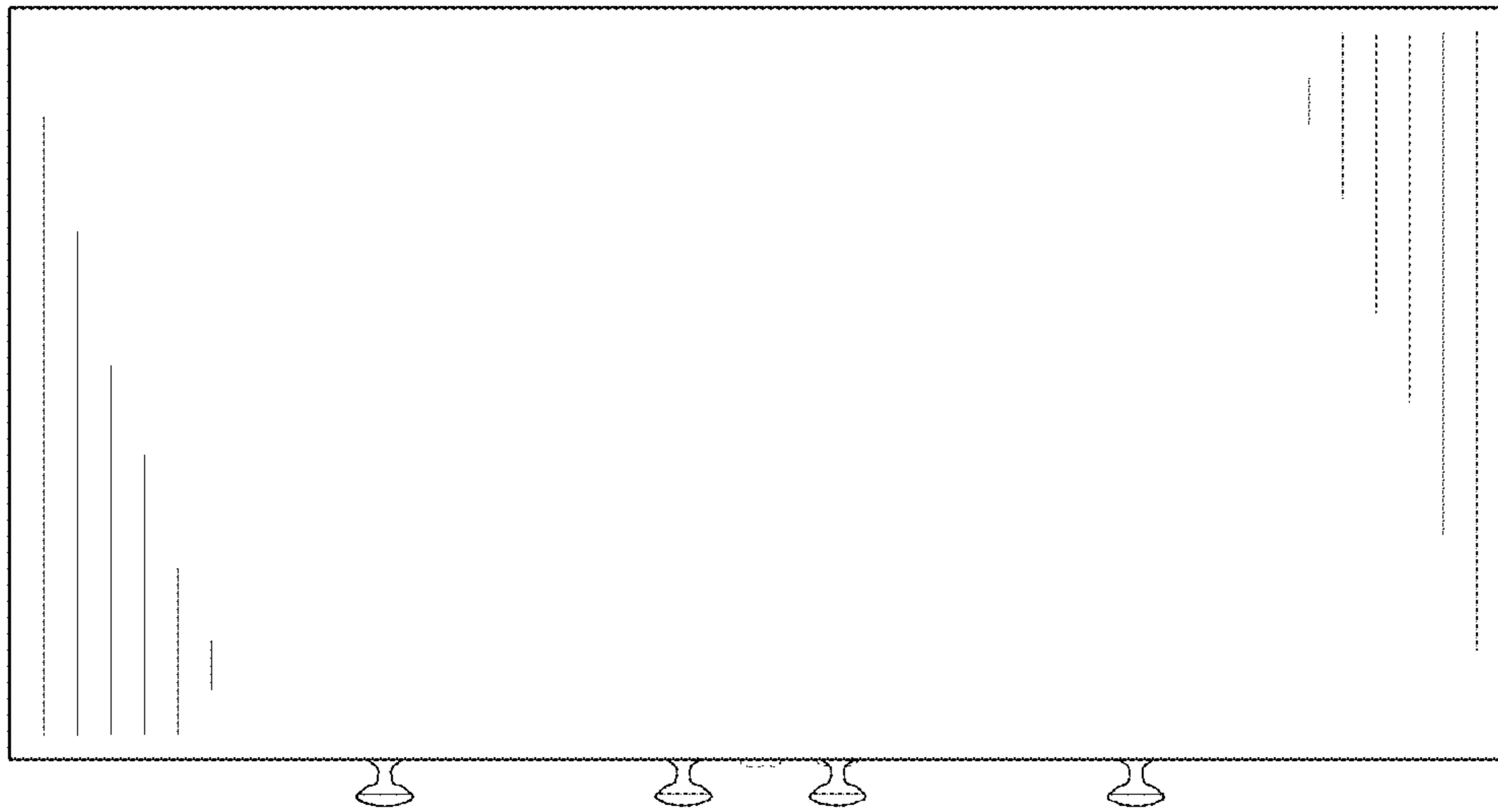


FIG. 7



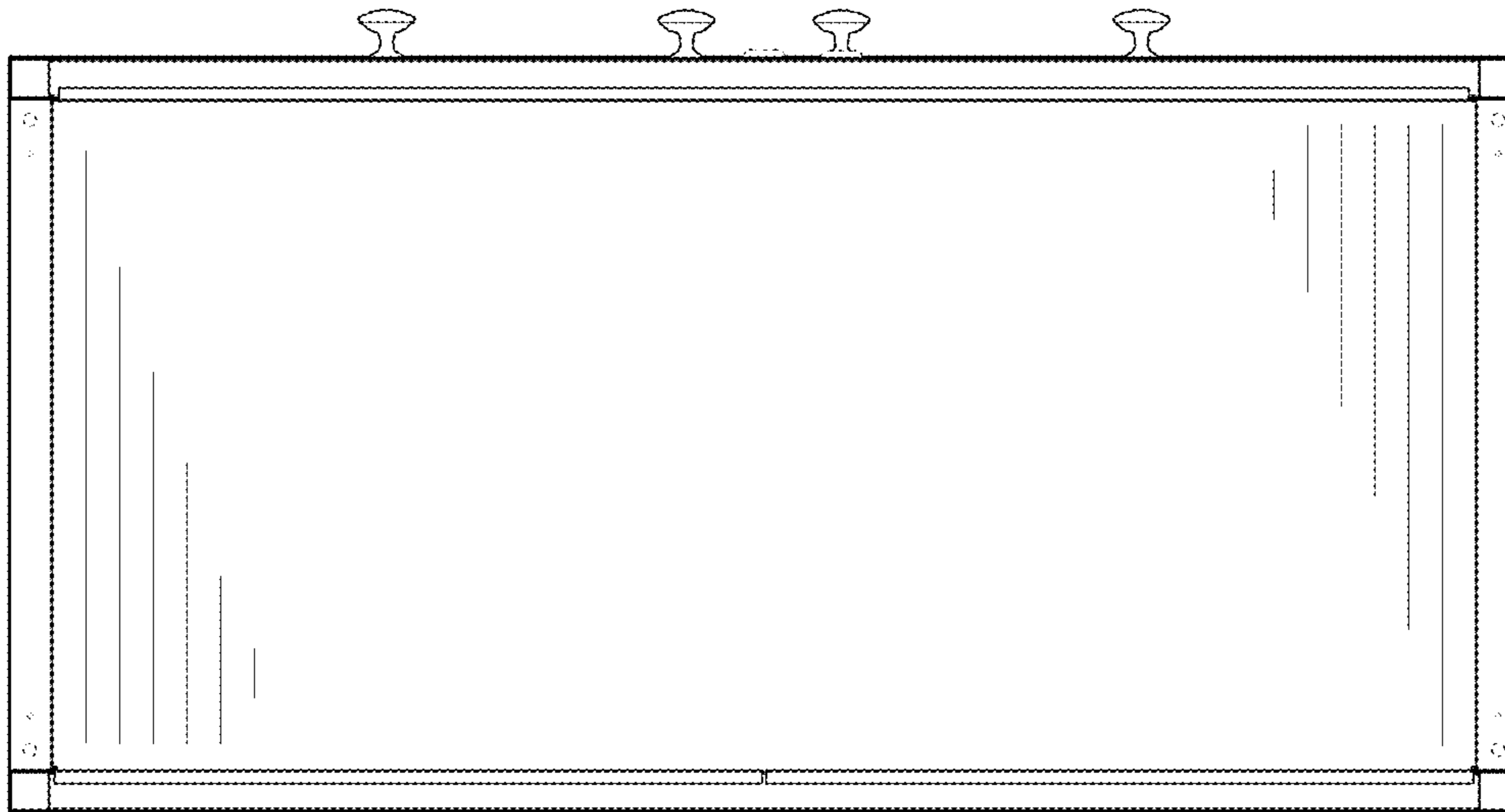


FIG. 8