



US00D980657S

(12) **United States Design Patent**
Chu

(10) **Patent No.:** **US D980,657 S**

(45) **Date of Patent:** **** Mar. 14, 2023**

(54) **BUFFET**

(71) Applicant: **Huilong Chu**, Quanzhou (CN)

(72) Inventor: **Huilong Chu**, Quanzhou (CN)

(**) Term: **15 Years**

(21) Appl. No.: **29/861,345**

(22) Filed: **Nov. 29, 2022**

(51) **LOC (14) Cl.** **06-04**

(52) **U.S. Cl.**
USPC **D6/657**

(58) **Field of Classification Search**

USPC D6/657, 662, 662.1, 663, 664, 671,
D6/671.1, 671.2, 671.3, 671.4, 703,
D6/703.2, 703.5
CPC A47B 47/00; A47B 17/04; A47B 45/00;
A47B 47/03; A47B 47/04; A47B 63/00;
A47B 67/00; A47B 67/04; A47B 88/00;
A47B 88/40; A47B 88/42; A47B 47/02;
A47B 47/05

See application file for complete search history.

(56) **References Cited**

U.S. PATENT DOCUMENTS

D478,432 S * 8/2003 Juneau D6/657
D554,890 S 11/2007 Lee
D869,202 S * 12/2019 Davis D6/671
D908,403 S * 1/2021 Cayouette D6/671.1

OTHER PUBLICATIONS

Modern Farmhouse Sideboard Buffet With Wine Rack, from foter.com, Retrieved Date: Jan. 12, 2023, p. 1, from <https://foter.com/sideboard-buffet-with-wine-rack> (Year: 2022).*

* cited by examiner

Primary Examiner — Mimosa De

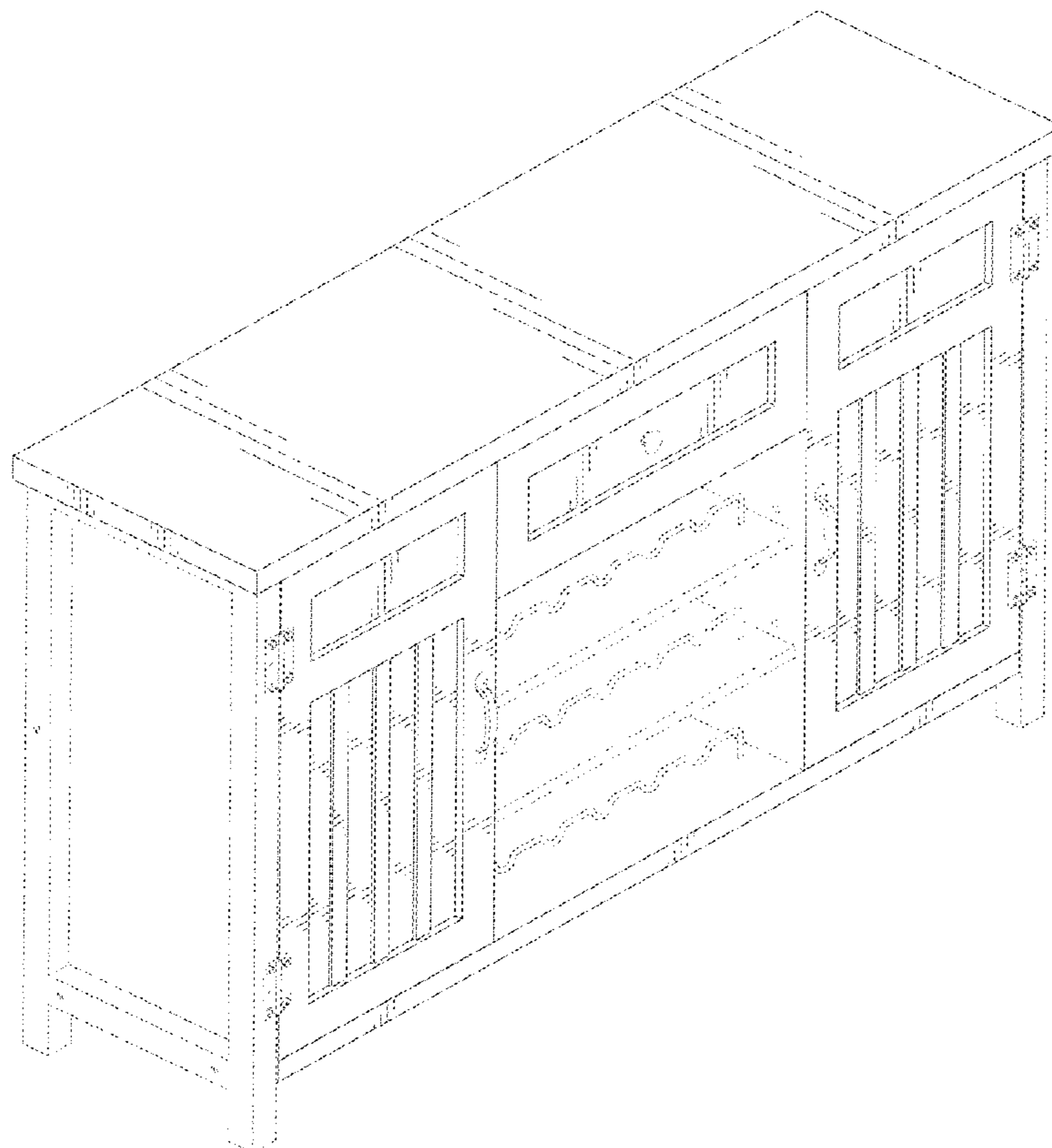
(57) **CLAIM**

The ornamental design for a buffet, as shown and described.

DESCRIPTION

FIG. 1 is a front and top perspective view of a buffet, showing my new design;
FIG. 2 is a rear and bottom perspective view thereof;
FIG. 3 is a front elevation view thereof;
FIG. 4 is a rear elevation view thereof;
FIG. 5 is a left side elevation view thereof;
FIG. 6 is a right side elevation view thereof;
FIG. 7 is a top plan view thereof; and,
FIG. 8 is a bottom plan view thereof.
The broken lines in the figures illustrate portions of the buffet that form no part of the claimed design.

1 Claim, 8 Drawing Sheets



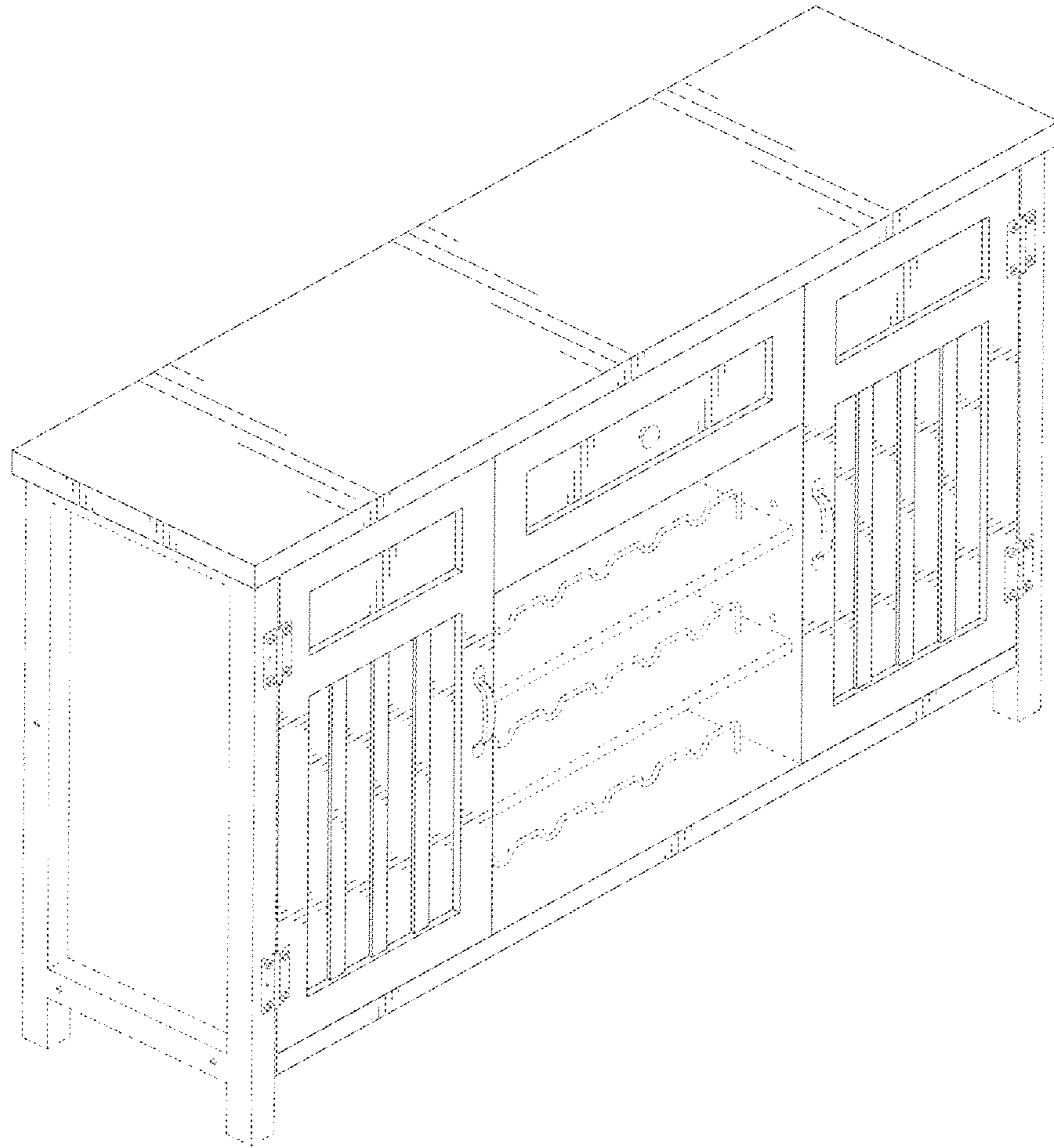


FIG. 1

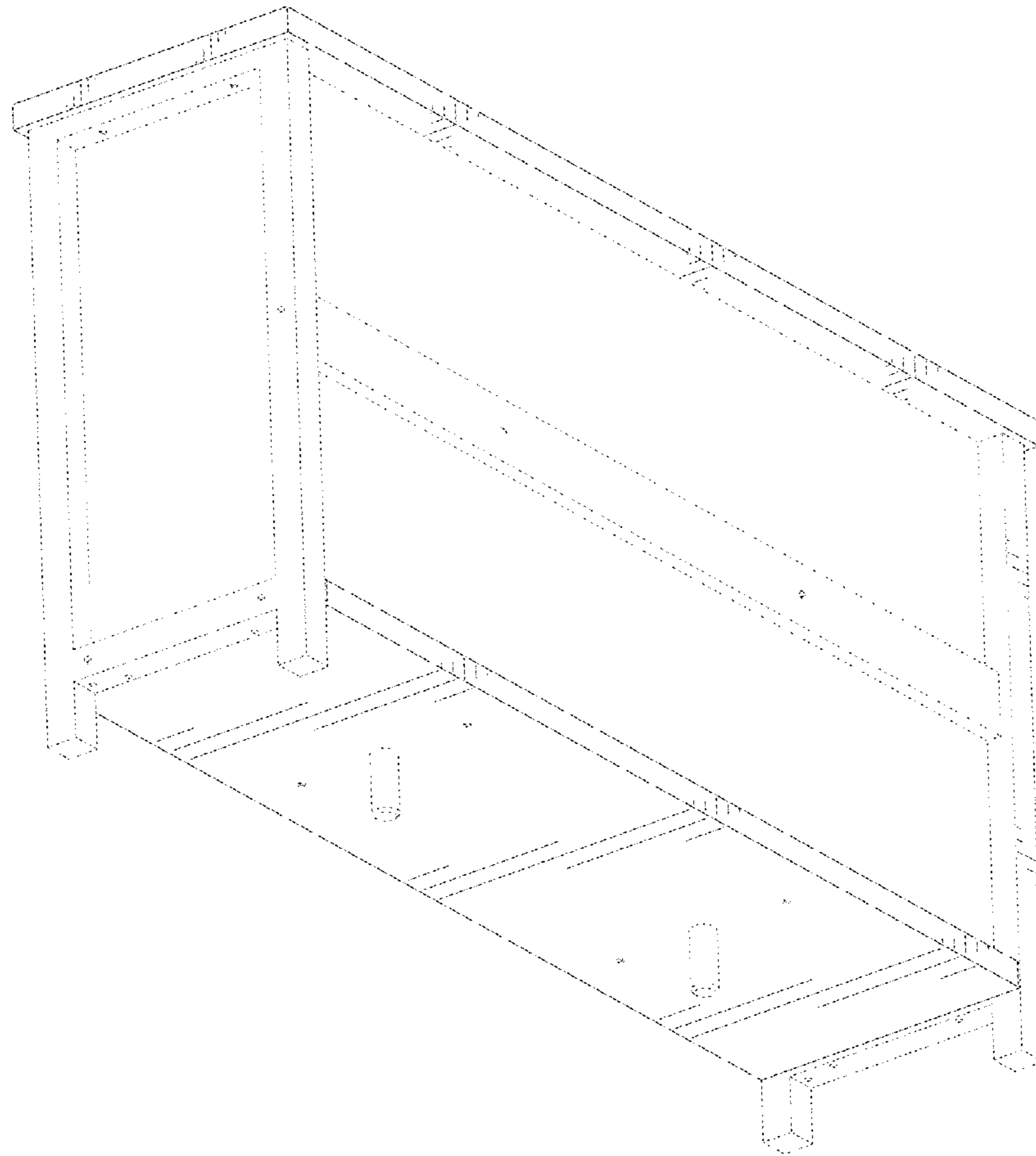


FIG. 2

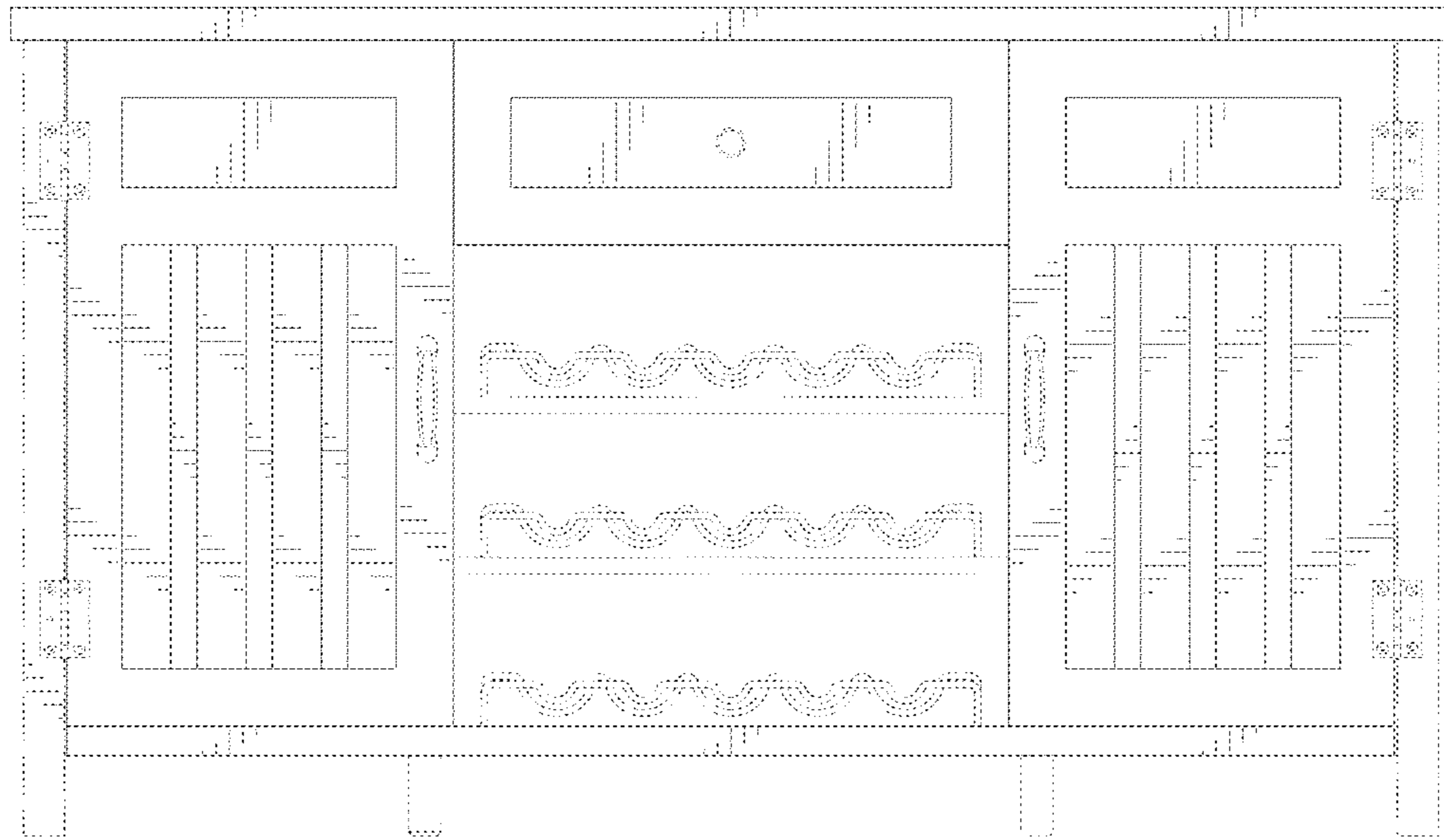


FIG. 3

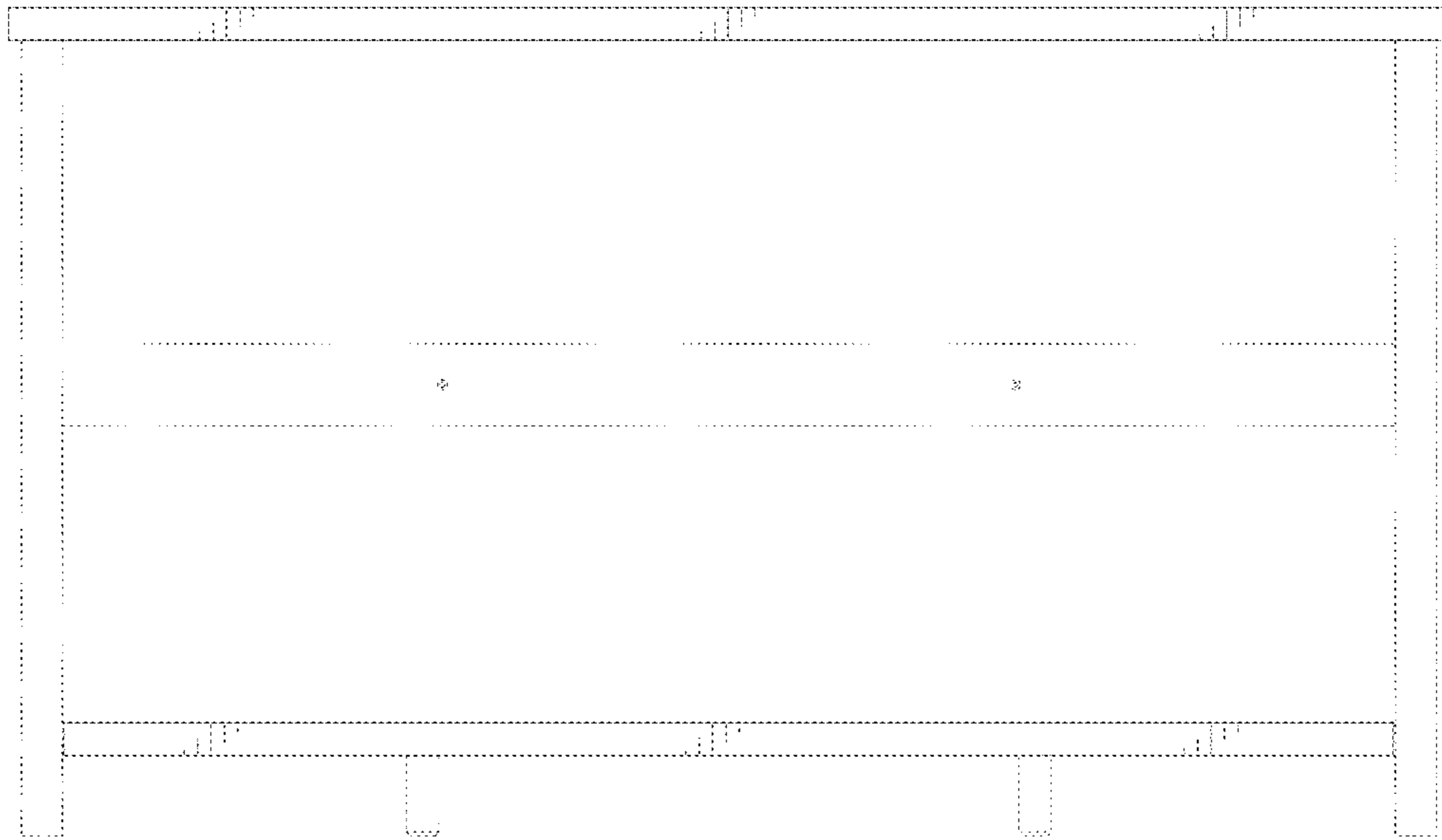


FIG. 4

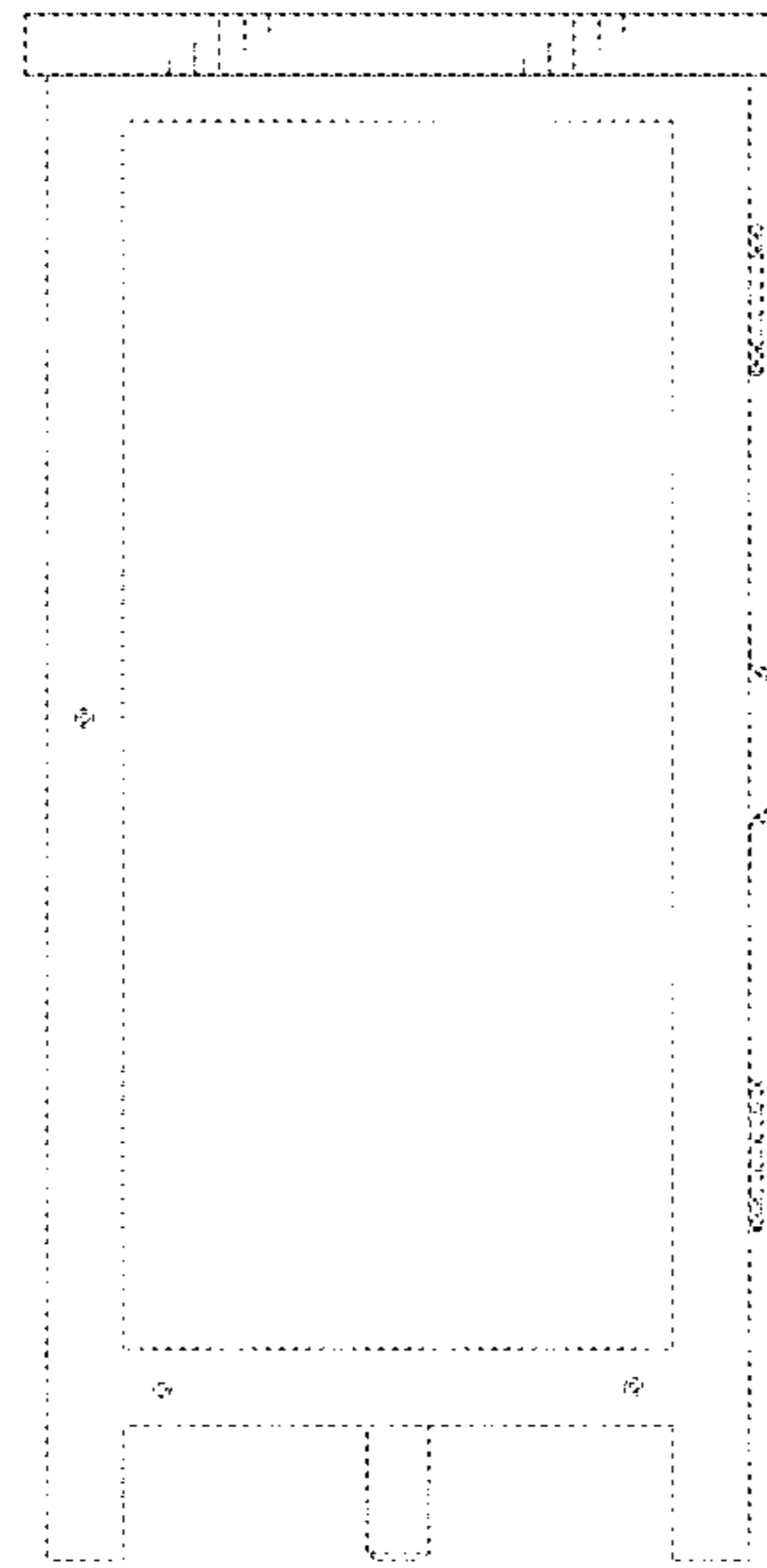


FIG. 5

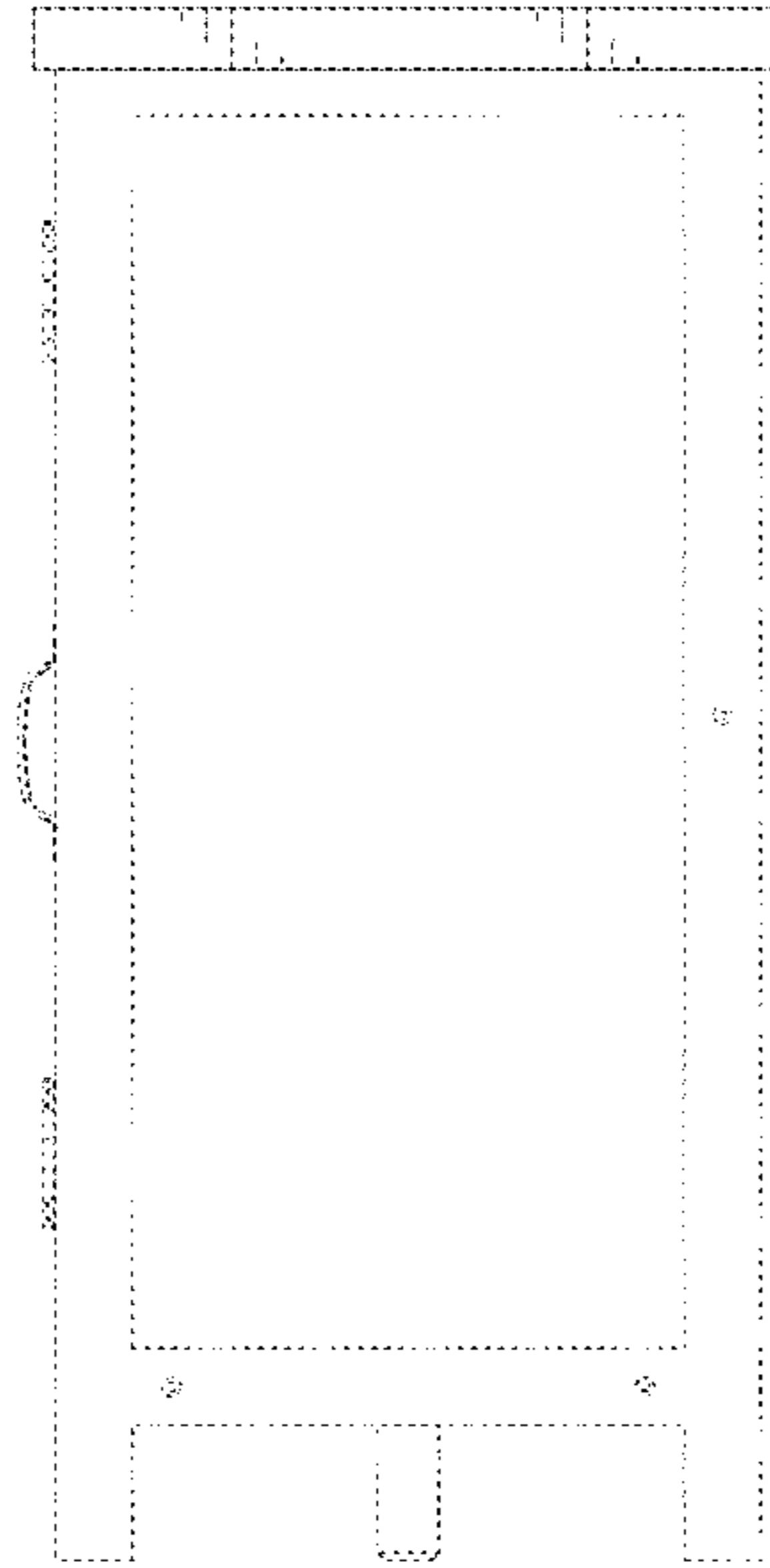


FIG. 6

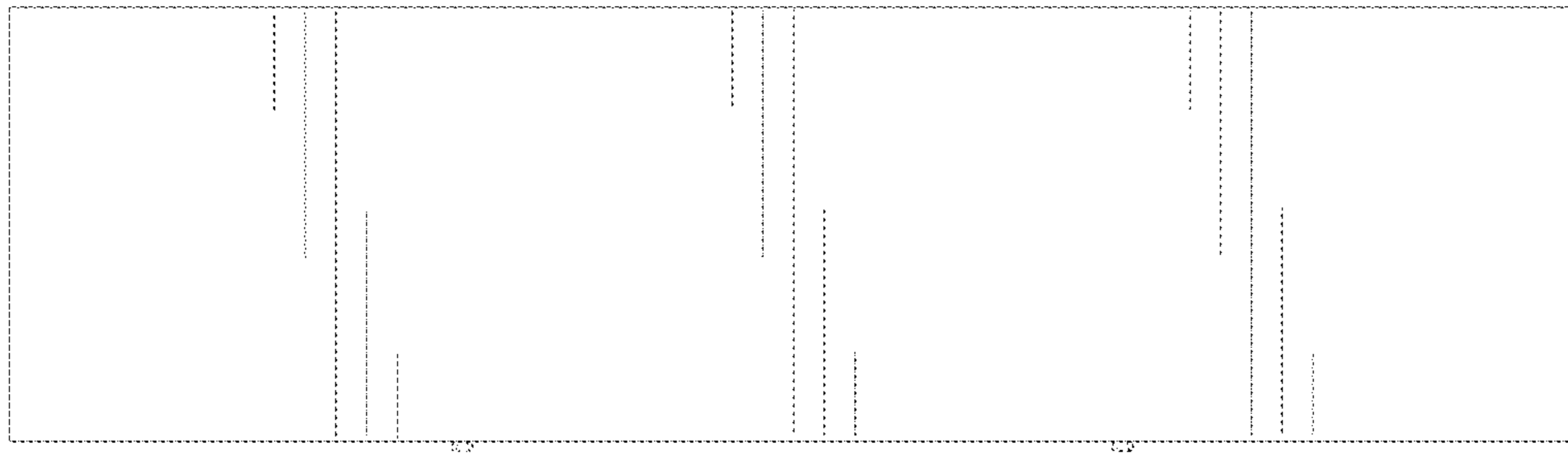


FIG. 7

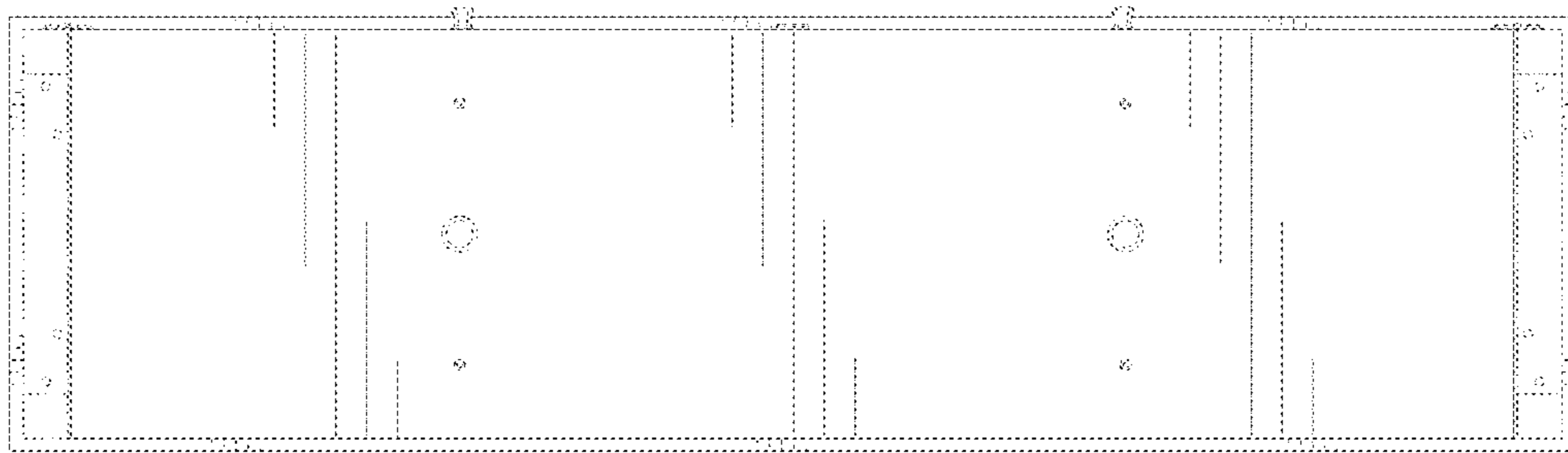


FIG. 8