



US00D980656S

(12) **United States Design Patent** (10) **Patent No.:** **US D980,656 S**
Wang (45) **Date of Patent:** **** Mar. 14, 2023**

(54) **WRITING DESK**

(71) Applicant: **TERANOM INC**, Boulder, CO (US)

(72) Inventor: **Jiaoyu Wang**, Gaomi (CN)

(73) Assignee: **TERANOM INC**, Boulder, CO (US)

(**) Term: **15 Years**

(21) Appl. No.: **29/830,238**

(22) Filed: **Mar. 10, 2022**

(51) **LOC (14) Cl.** **06-03**

(52) **U.S. Cl.**

USPC **D6/656.17**

(58) **Field of Classification Search**

USPC D6/641, 656, 656.16, 656.17, 656.19

CPC ... A47B 9/20; A47B 21/02; A47B 2200/0056;

A47B 2200/0062; A47B 9/00

See application file for complete search history.

(56) **References Cited**

U.S. PATENT DOCUMENTS

D566,420 S	4/2008	Domack et al.	
D633,729 S	3/2011	Bauchet	
D861,382 S *	10/2019	Hu	D6/656.11
D917,935 S *	5/2021	Huang	D6/656.17
D924,602 S *	7/2021	Wang	D6/656.19
D965,349 S *	10/2022	Cheng	D6/656.17
D966,751 S *	10/2022	Huo	D6/656
D972,341 S *	12/2022	Wang	D6/656.16
D972,342 S *	12/2022	Chen	D6/656.16
2017/0290415 A1 *	10/2017	Hsu	A47B 21/00

OTHER PUBLICATIONS

“KKL 55-inch Height Adjustable Electric Standing Desk.” Found online Jan. 14, 2023 at [www.amazon.com](https://www.amazon.com/KKL-Height-Adjustable-Electric-Standing/dp/B08R5F3XYT). Product first available Mar. 15, 2021. Retrieved from URL: <https://www.amazon.com/KKL-Height-Adjustable-Electric-Standing/dp/B08R5F3XYT> (Year: 2021).*

“Egresel Ergonomic Electric Height Adjustable Standing Desk.” Found online Jan. 14, 2023 at [www.amazon.com](https://www.amazon.com/Electric-Adjustable-Standing-Tabletop-Programmable/dp/B09231T8GC). Product first available Apr. 8, 2021. Retrieved from URL: <https://www.amazon.com/Electric-Adjustable-Standing-Tabletop-Programmable/dp/B09231T8GC> (Year: 2021).*

“Soohow Electric Height Adjustable Desk.” Found online Jan. 14, 2023 at [www.amazon.com](https://www.amazon.com/Soohow-Electric-Height-Adjustable-Standing/dp/B09C896G8J). Product first available Aug. 10, 2021. Retrieved from URL: <https://www.amazon.com/Soohow-Electric-Height-Adjustable-Standing/dp/B09C896G8J> (Year: 2021).*

“Hommo Electric Height Adjustable Standing Desk.” Found online Jan. 14, 2023 at [www.amazon.com](https://www.amazon.com/Electric-Adjustable-Standing-Ergonomic-Controller/dp/B09JCCCHK6). Product first available Oct. 13, 2021. Retrieved from URL: <https://www.amazon.com/Electric-Adjustable-Standing-Ergonomic-Controller/dp/B09JCCCHK6> (Year: 2021).*

* cited by examiner

Primary Examiner — Mary Ann Calabrese

Assistant Examiner — Katelin G Kloberg

(57) **CLAIM**

The ornamental design for a writing desk, as shown and described.

DESCRIPTION

FIG. 1 is a top perspective view of a writing desk, showing my new design;

FIG. 2 is a bottom perspective view thereof;

FIG. 3 is a front elevational view thereof;

FIG. 4 is a rear elevational view thereof;

FIG. 5 is a left side elevational view thereof;

FIG. 6 is a right side elevational view thereof;

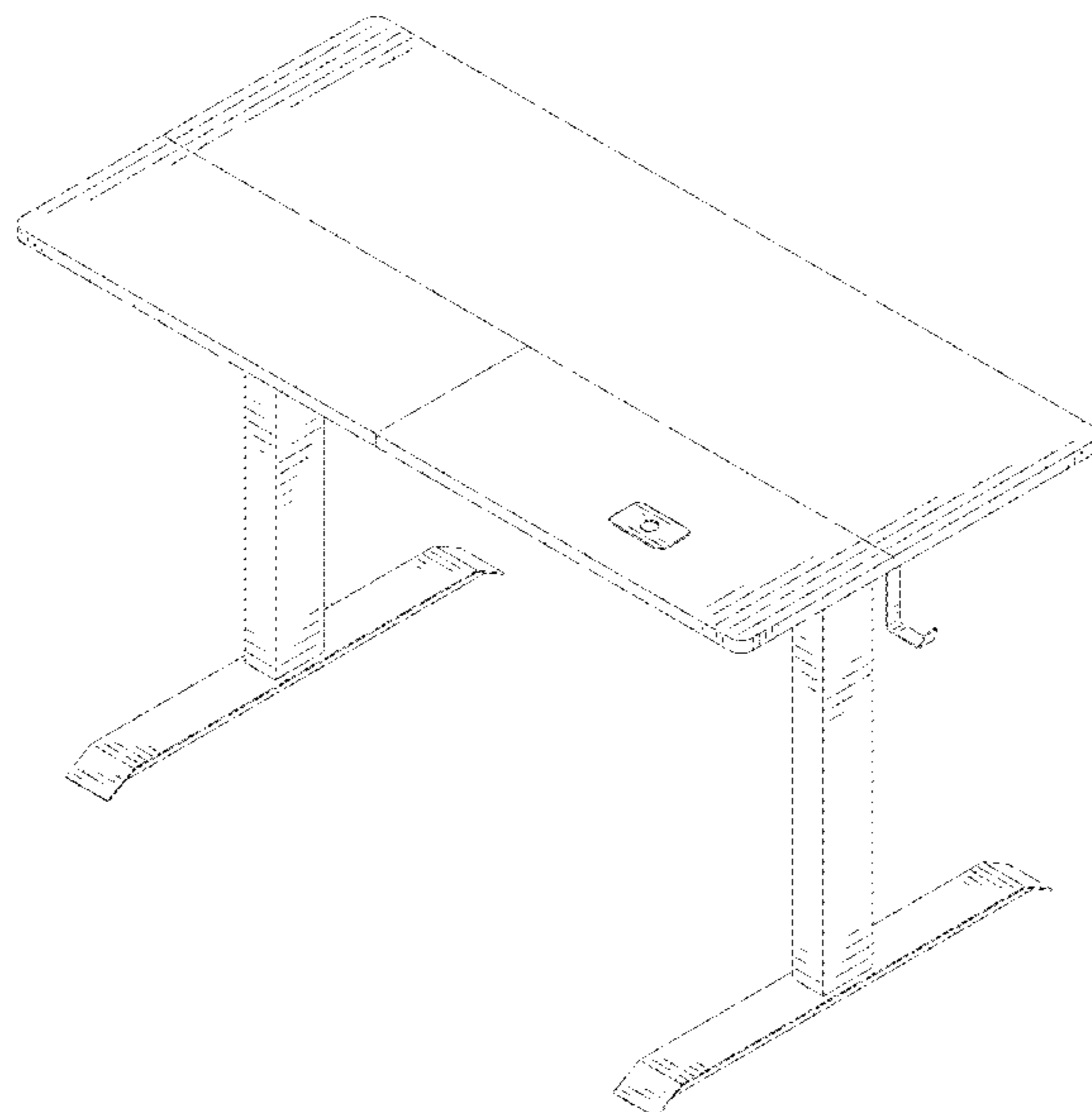
FIG. 7 is a top plan view thereof;

FIG. 8 is a bottom plan view thereof; and,

FIG. 9 is an enlarged view of portion 9 shown in FIG. 2.

The dash-dash broken lines in the drawings depict portions of the writing desk that form no part of the claimed design. The dot-dash broken lines represent boundaries of the enlarged portion and form no part of the claimed design.

1 Claim, 9 Drawing Sheets



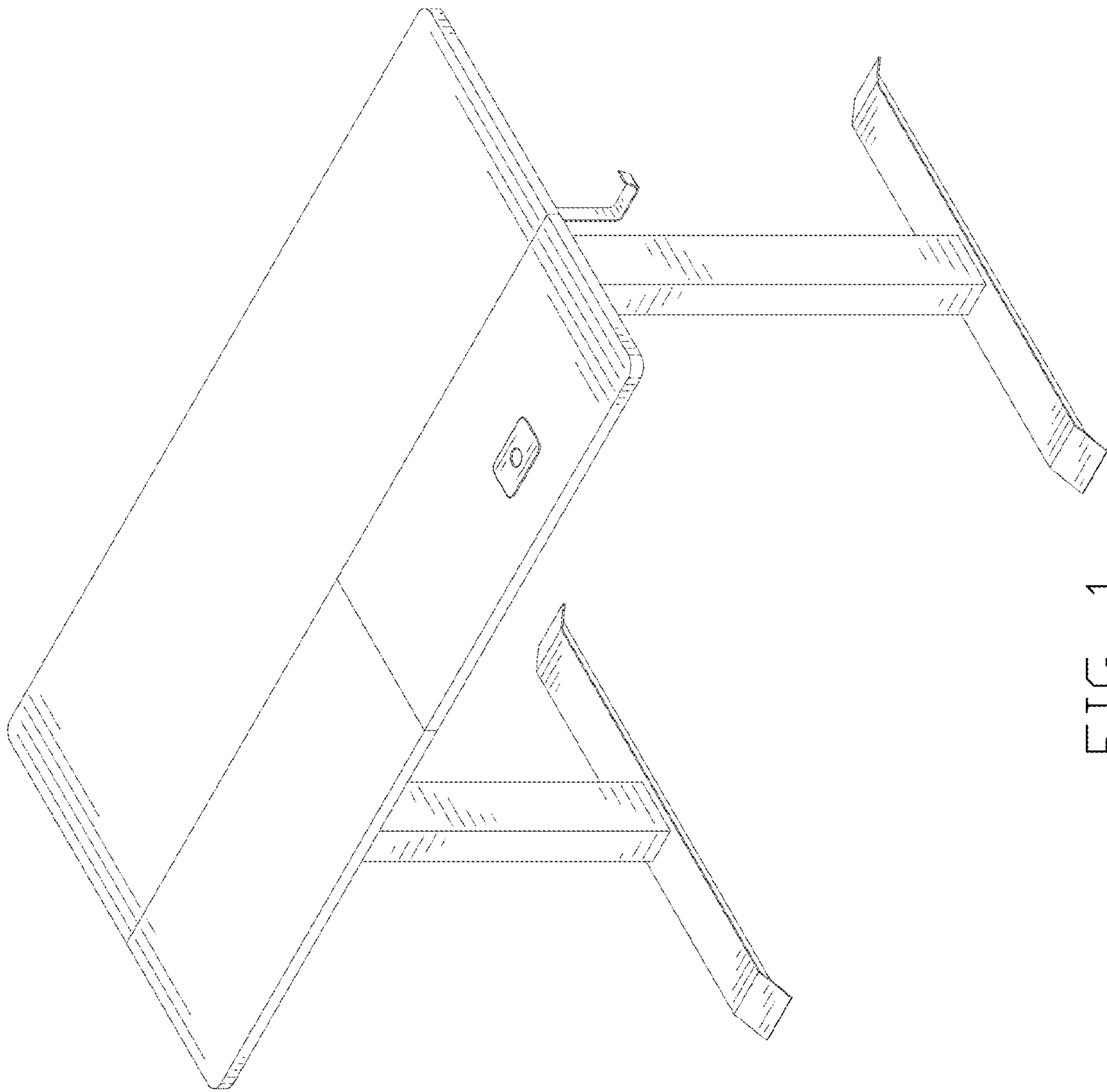


FIG. 1

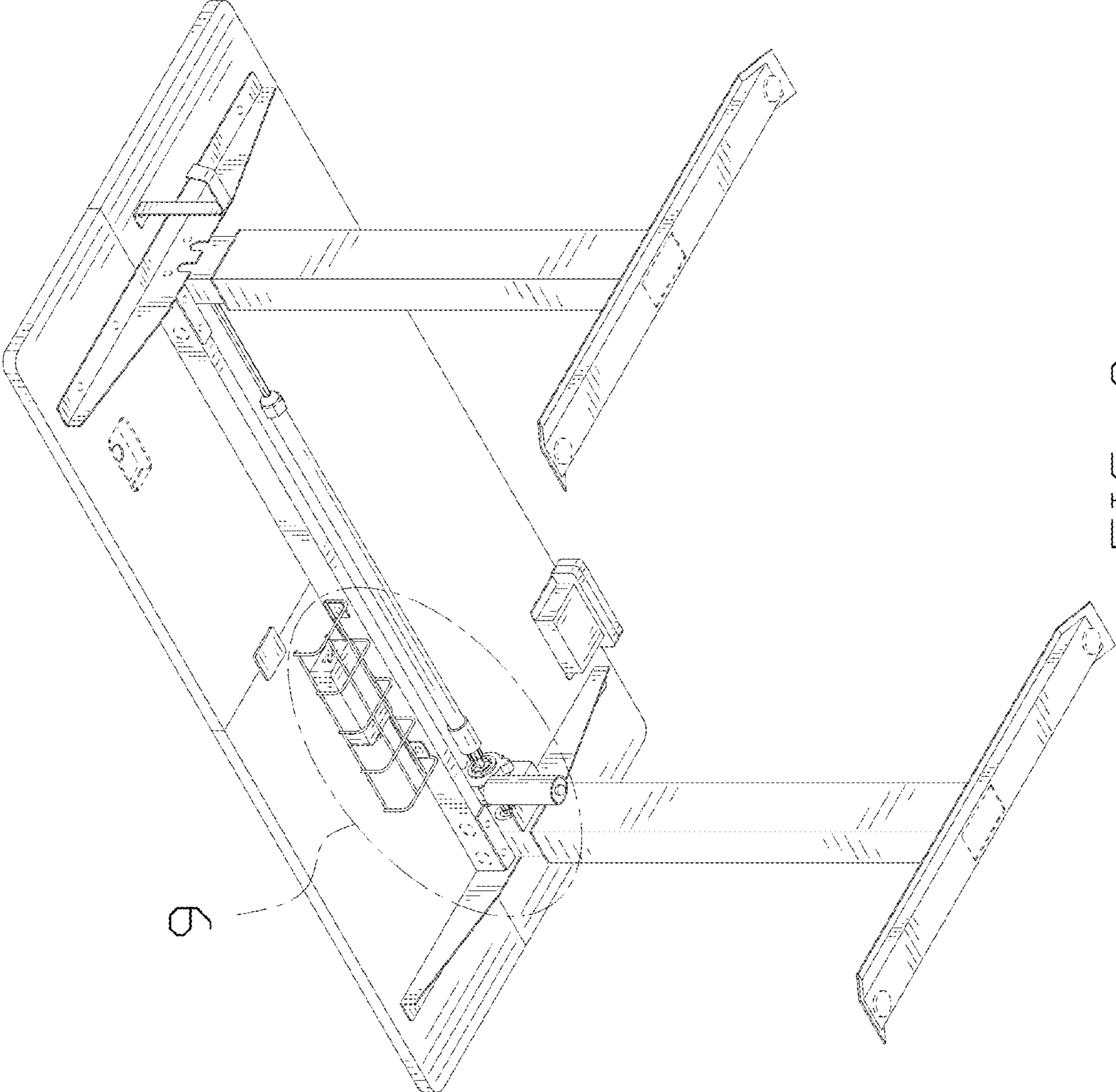


FIG. 2

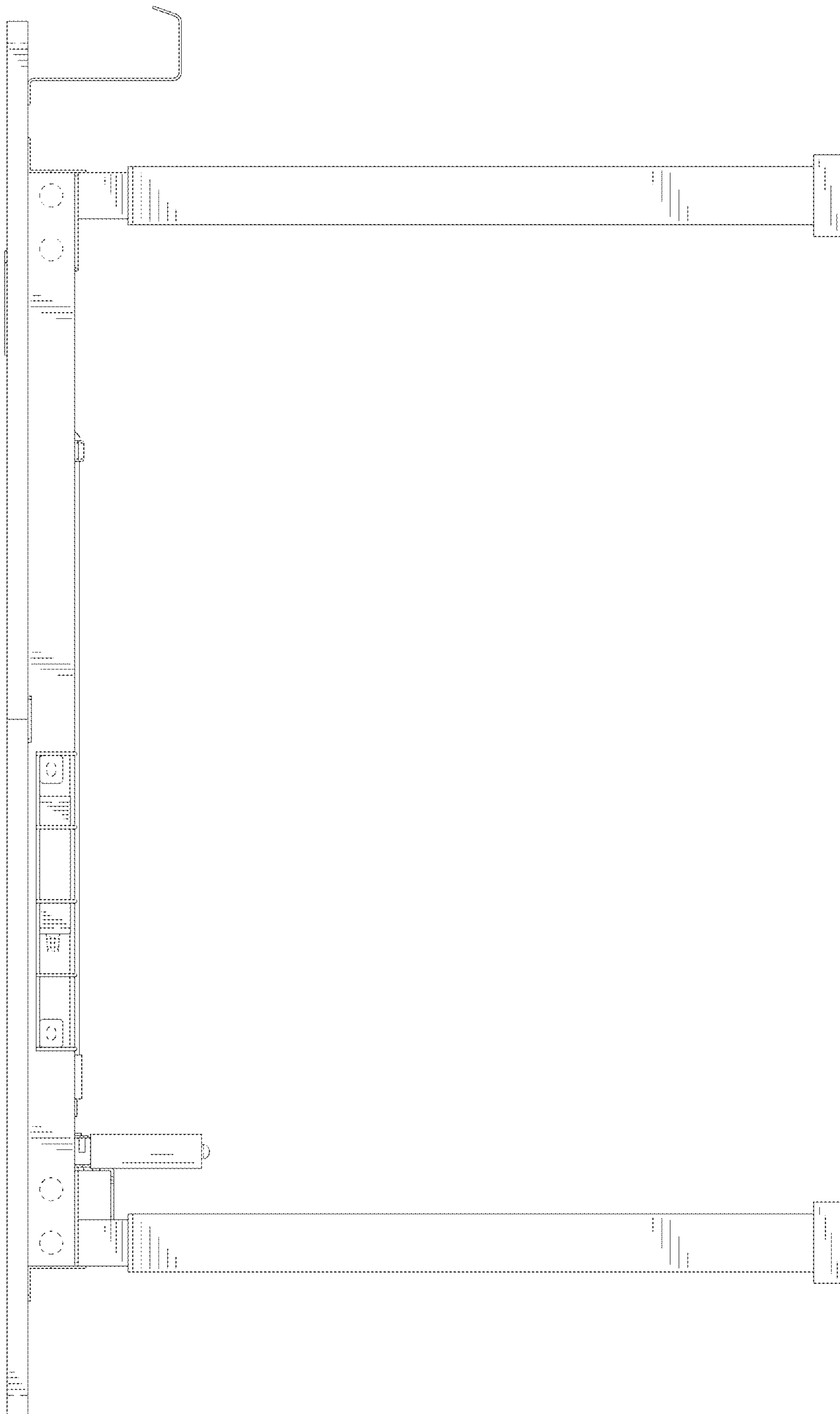


FIG. 3

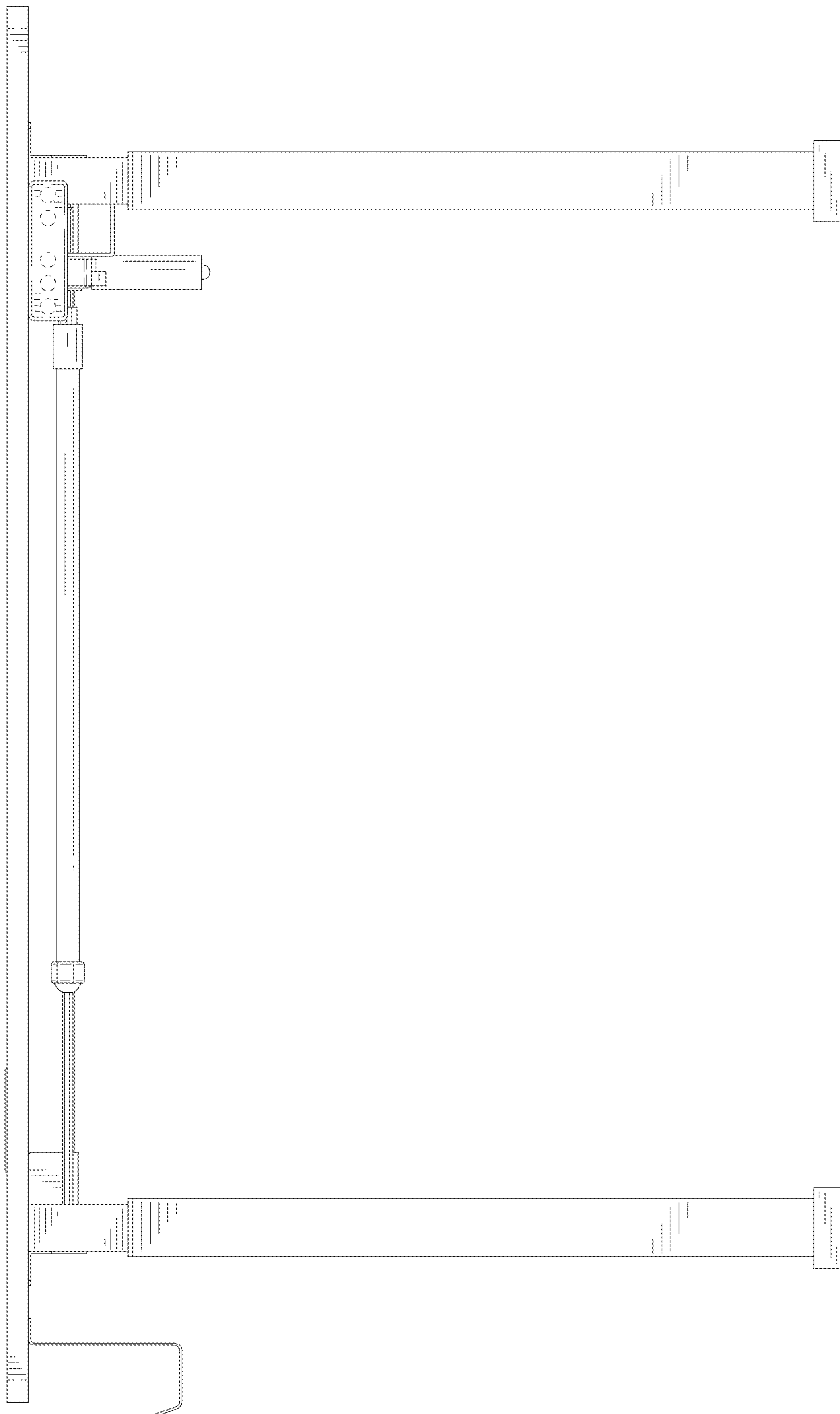


FIG. 4

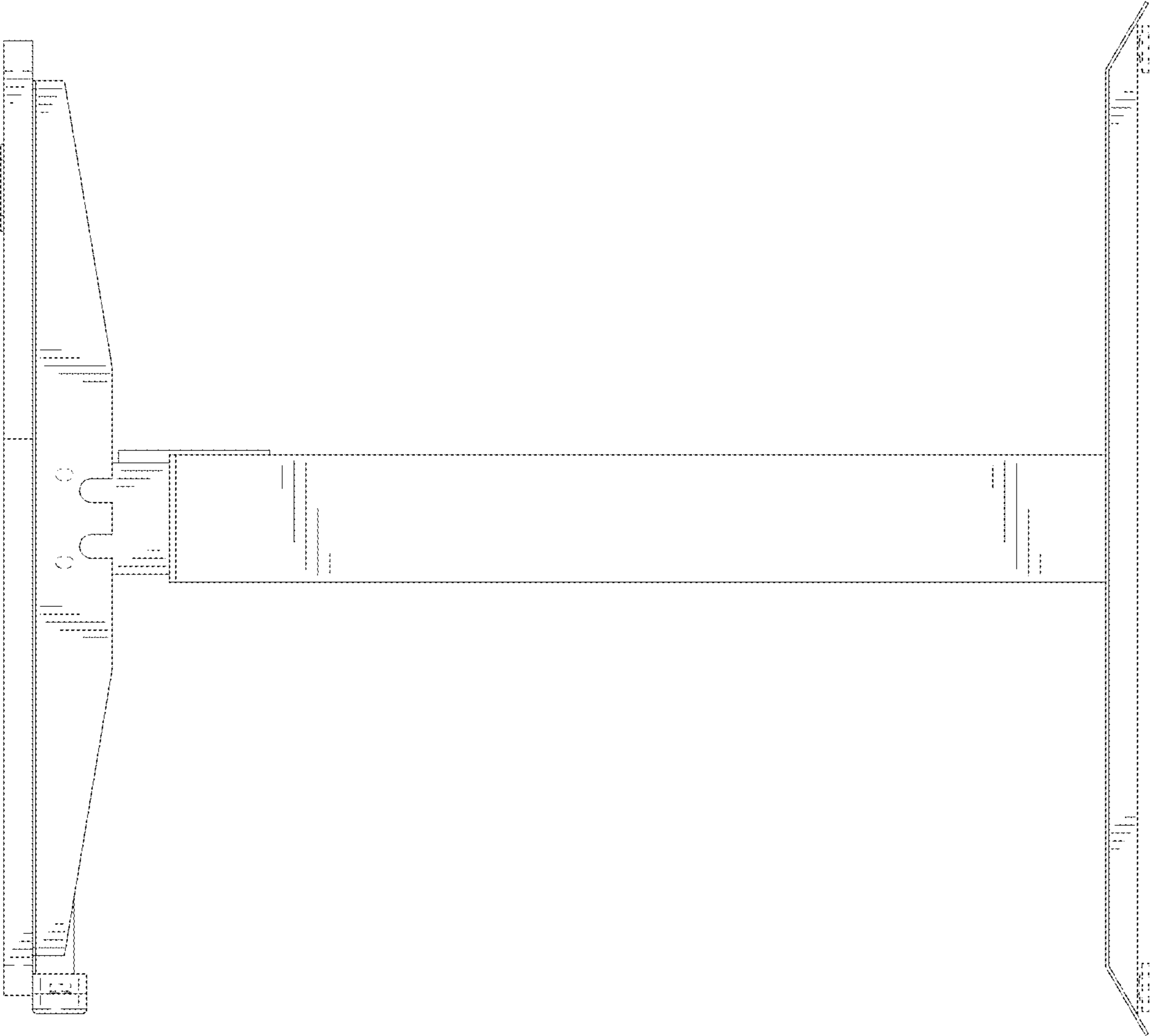


FIG. 5

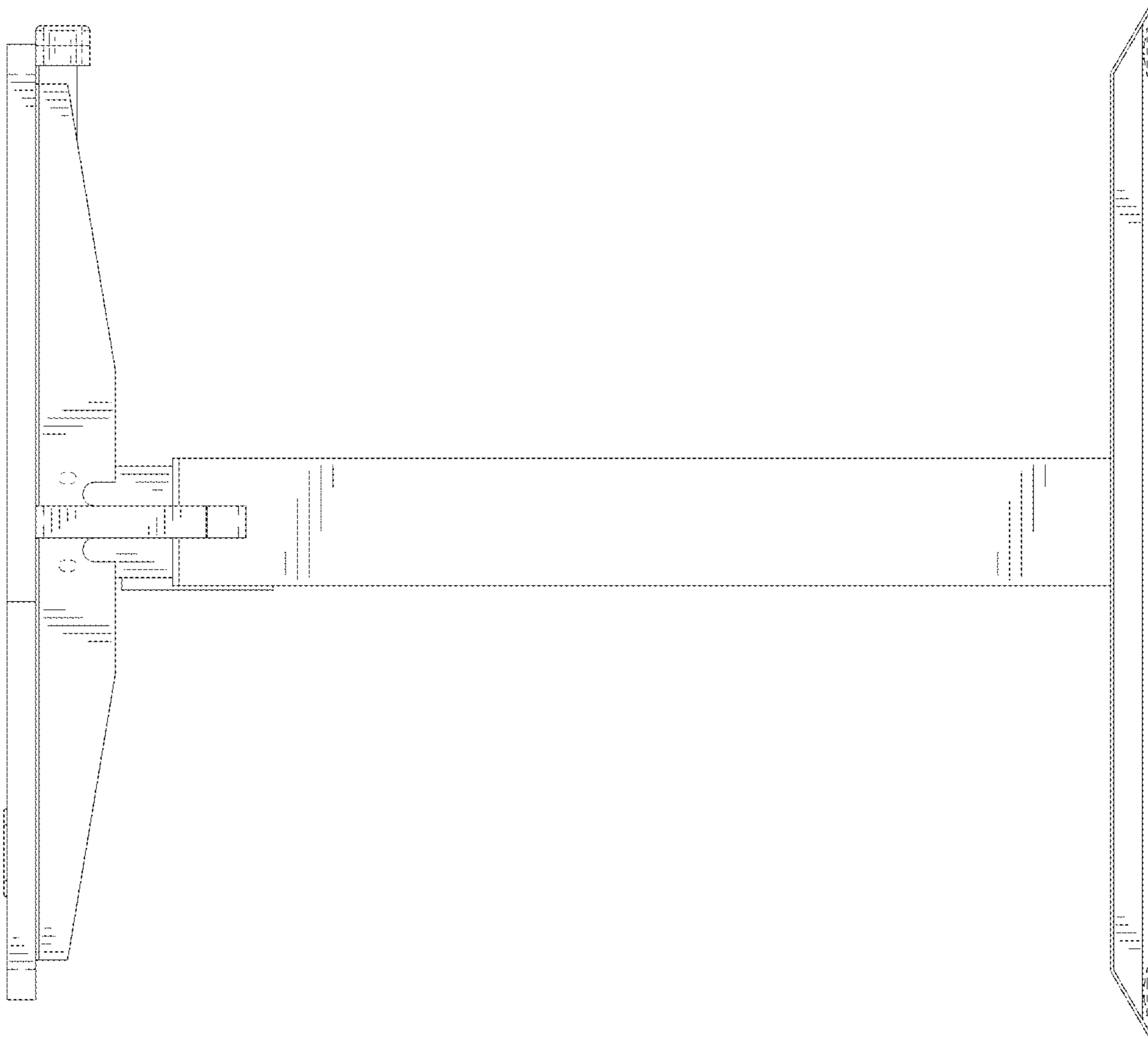


FIG. 6

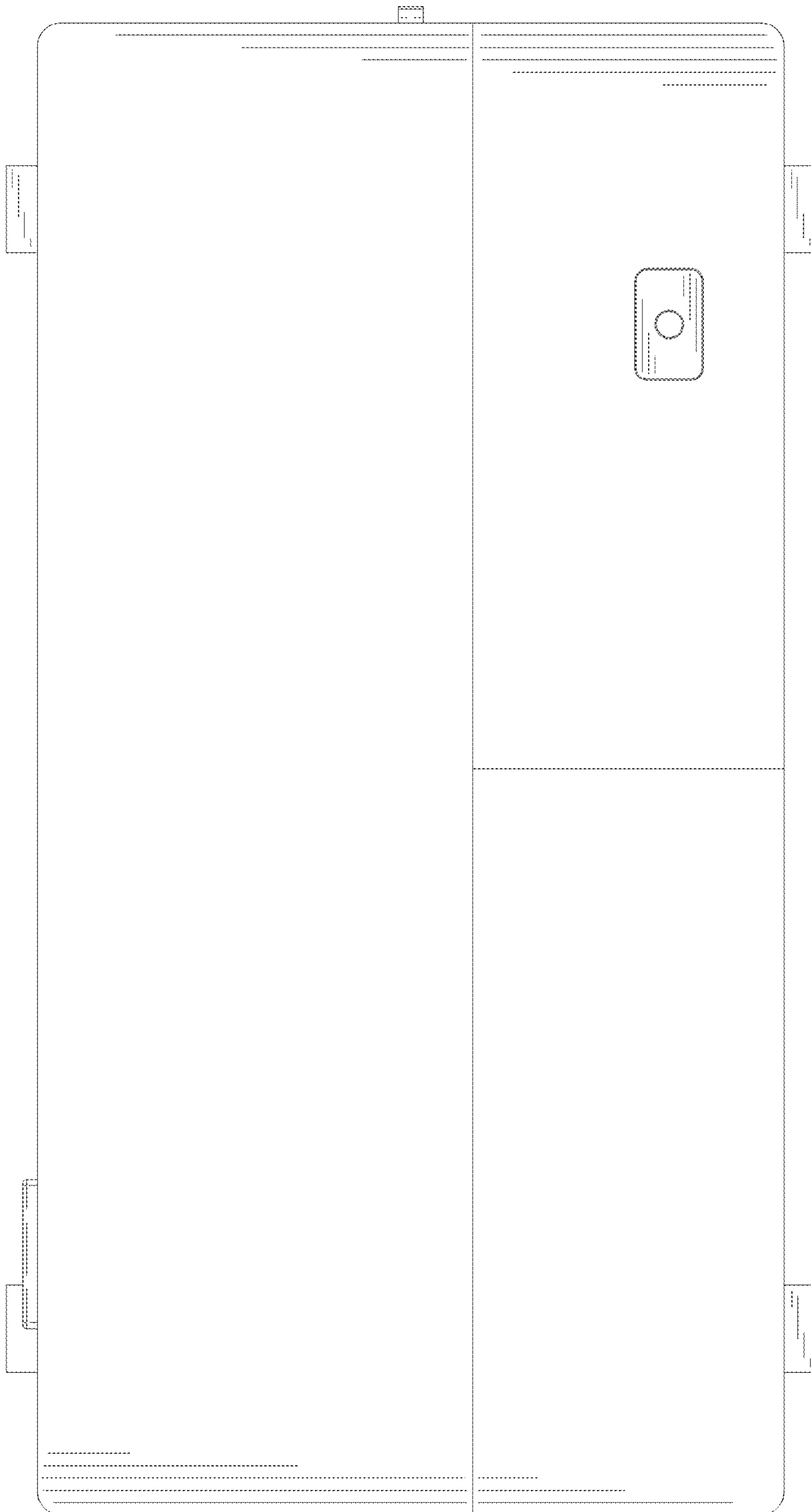


FIG. 7

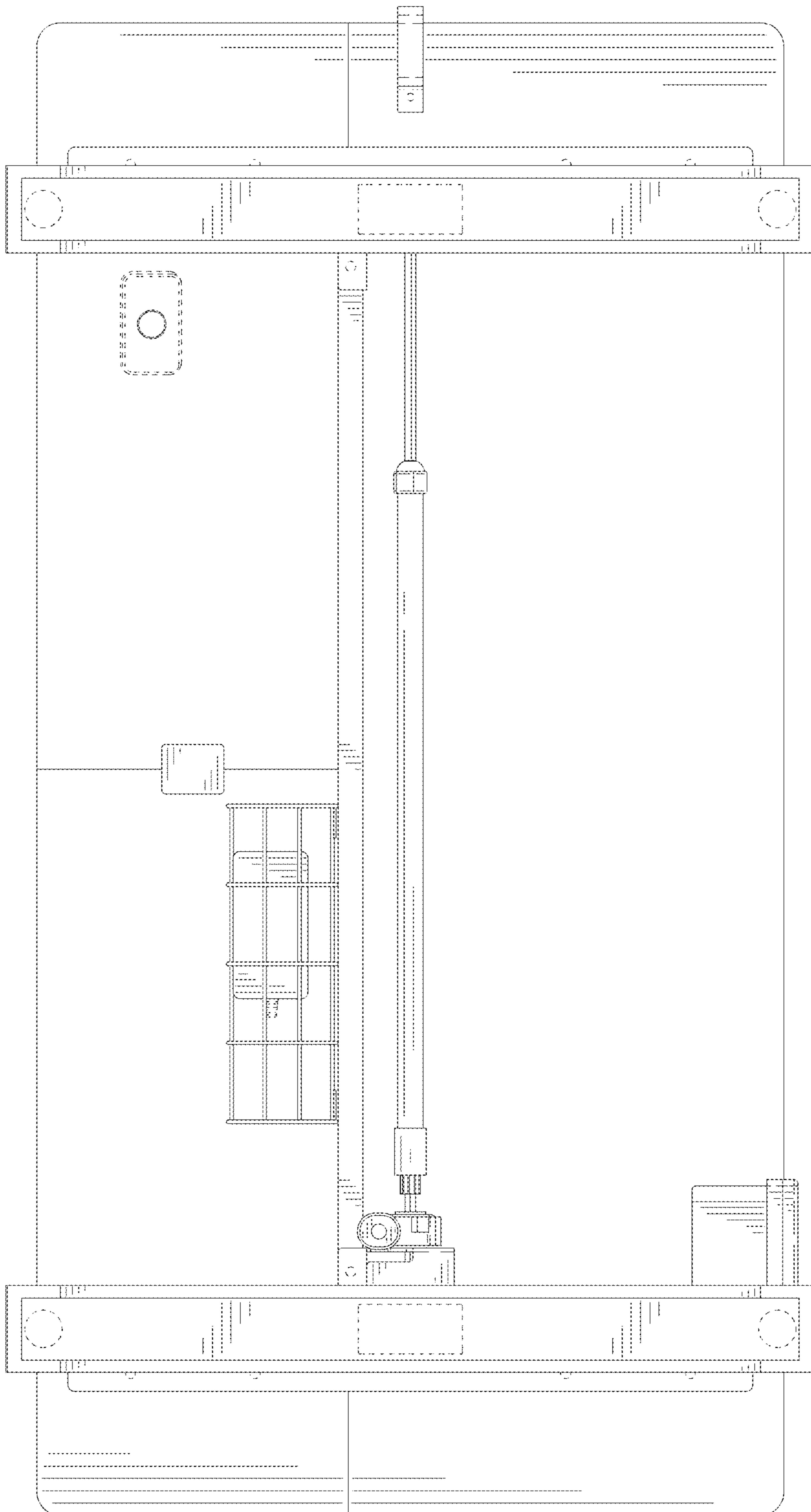


FIG. 8

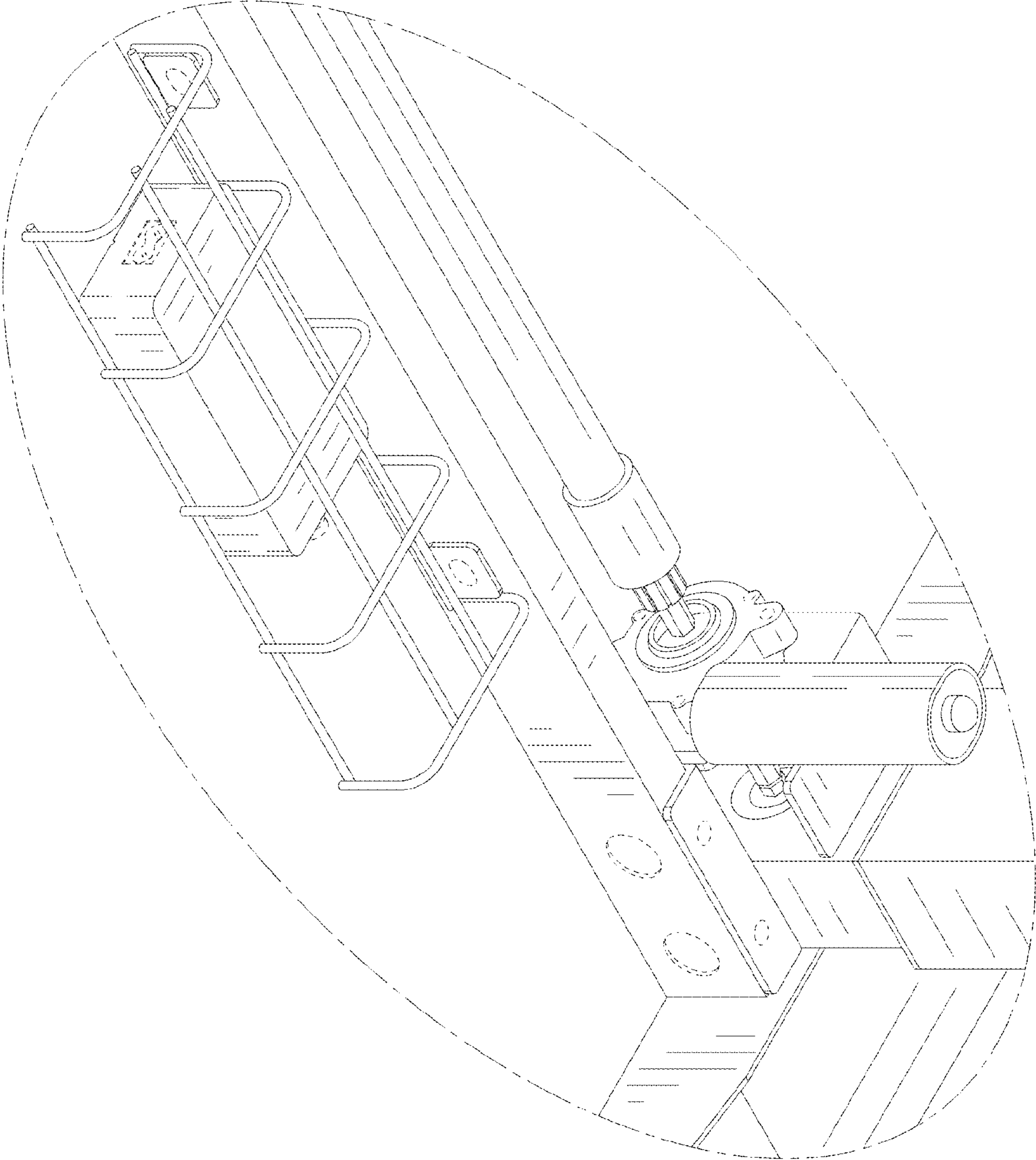


FIG. 9