



US00D980655S

(12) **United States Design Patent**
Shilts

(10) **Patent No.:** **US D980,655 S**
(45) **Date of Patent:** **** Mar. 14, 2023**

- (54) **BED LINEN DEVICE**
- (71) Applicant: **Steven J. Shilts**, San Diego, CA (US)
- (72) Inventor: **Steven J. Shilts**, San Diego, CA (US)
- (**) Term: **15 Years**
- (21) Appl. No.: **29/702,435**
- (22) Filed: **Aug. 19, 2019**
- (51) **LOC (14) Cl.** **06-13**
- (52) **U.S. Cl.**
USPC **D6/607**
- (58) **Field of Classification Search**
USPC D6/582-583, 587-592, 595-609,
D6/617-622; D21/803-809; D24/183
CPC A47G 9/00; A47G 2009/001; A47G
2009/002; A47G 2009/003; A47G 9/10;
A47G 9/1009; A47G 2009/1018; A47G
9/1045; A47G 9/1081; A47G 9/109;
A47G 2009/005; A47G 2009/006; A47G
9/02; A47G 9/0207; A47G 9/0215; A47G
9/0223; A47G 9/023; A47G 9/0238;
A47G 9/0246; A47G 9/0253; A47G
9/0261; A47G 2009/0269; A47G 11/002;
A47G 21/165
See application file for complete search history.

- 6,427,266 B2 * 8/2002 Talley-Williams A47G 9/02
5/482
- 7,100,223 B1 * 9/2006 Anthony A47G 9/02
5/482
- 7,140,053 B1 * 11/2006 Mangano A47G 9/02
5/493

(Continued)

Primary Examiner — Jennifer L Rempfer
Assistant Examiner — Carrie A Matteoli
(74) *Attorney, Agent, or Firm* — Mandy L. Tran; Ceres
Patent & Technology, LLC

(57) **CLAIM**

I claim the ornamental design for bed linen device, as shown and described.

DESCRIPTION

A portion of the disclosure of this patent document contains material that is subject to copyright protection. The copyright owner has no objection to the facsimile reproduction by anyone of the patent document or patent disclosure as it appears in the Patent and Trademark office, patent file or records, but otherwise reserves all copyright rights whatsoever.

FIG. 1 is a bottom perspective view of the invention in an inverse folded position.

FIG. 2 is a top perspective view of the invention in extended form.

FIG. 3 is a right side plan view of the invention in extended form.

FIG. 4 is a front side plan view of the invention in extended form.

FIG. 5 is a left side plan view of the invention in extended form; and,

FIG. 6 is a front side plan view from the top side of the invention.

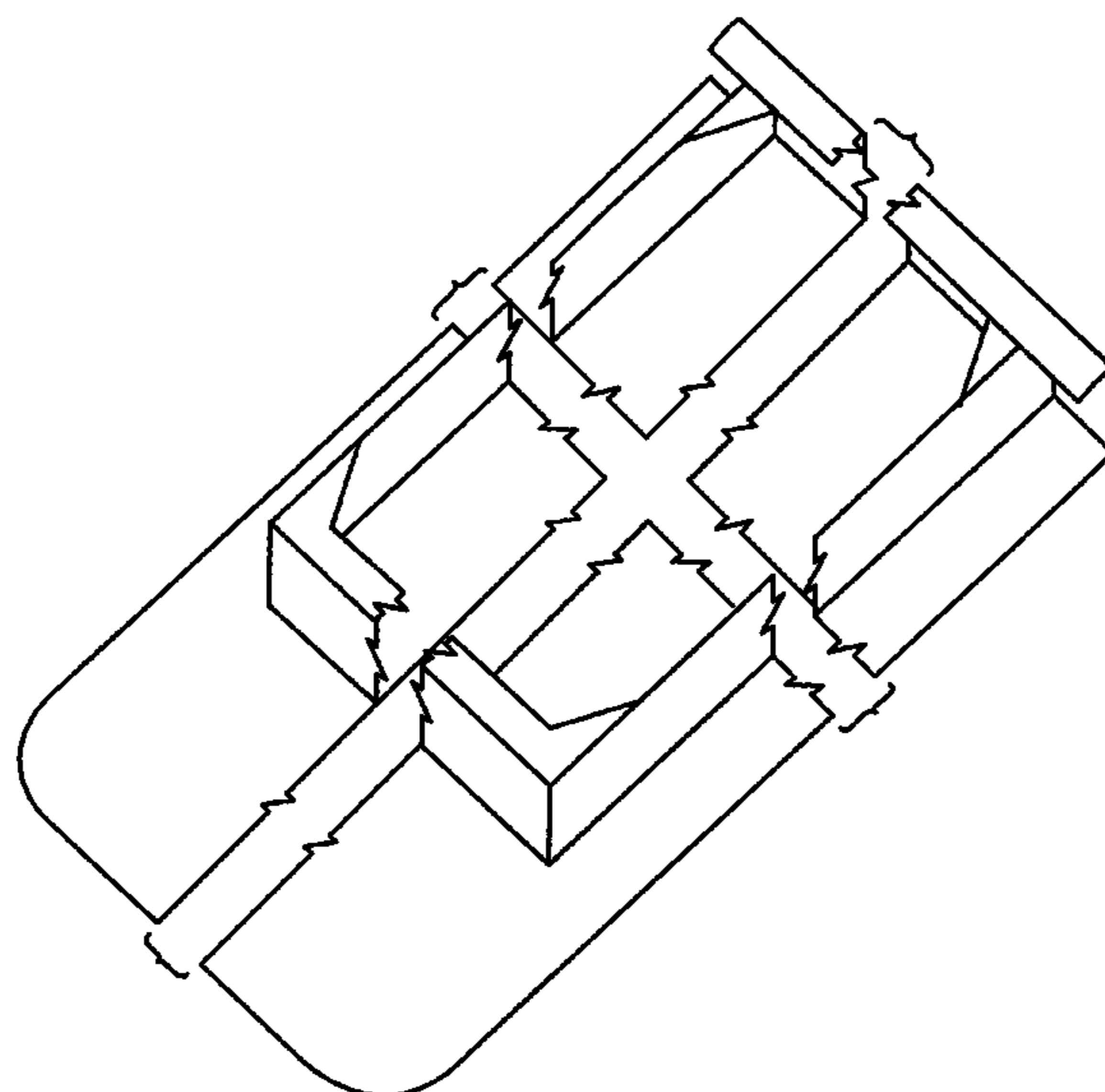
The claimed design is shown with a symbolic break in its width and length. The appearance of any portion of the article between the break lines forms no part of the design.

(56) **References Cited**

U.S. PATENT DOCUMENTS

- 5,020,177 A * 6/1991 Etherington A47G 9/02
5/496
- 5,189,744 A * 3/1993 Roberts A47G 9/0246
5/497
- 5,557,814 A * 9/1996 Cybulski A47G 9/02
5/485
- 5,884,349 A * 3/1999 Gretsinger A47G 9/02
5/502
- 6,108,836 A * 8/2000 Keene, III A47G 9/02
5/482

1 Claim, 4 Drawing Sheets



(56)

References Cited

U.S. PATENT DOCUMENTS

8,214,949 B2 * 7/2012 Thompson A47D 15/001
5/494
8,393,025 B2 * 3/2013 Crispino A47C 21/028
5/500
D679,930 S * 4/2013 Thomas D6/603
D681,996 S * 5/2013 Jimenez-Hernandez D6/602
9,024,773 B2 * 5/2015 Shilts A47G 9/10
340/686.6
9,149,136 B2 * 10/2015 Mikesell A47G 9/0246
D778,638 S * 2/2017 Williams D6/602
10,016,078 B1 * 7/2018 McDermott A47G 9/0238
2006/0248646 A1 * 11/2006 Marsh A47G 9/0246
5/494
2011/0302715 A1 * 12/2011 Battaglia A47G 9/02
5/493
2012/0317723 A1 * 12/2012 Liversage A47G 9/0246
5/497
2013/0278431 A1 * 10/2013 Shilts A47G 9/02
340/686.6
2014/0101850 A1 * 4/2014 Cuneo A47G 9/0246
5/497

* cited by examiner

FIG. 1

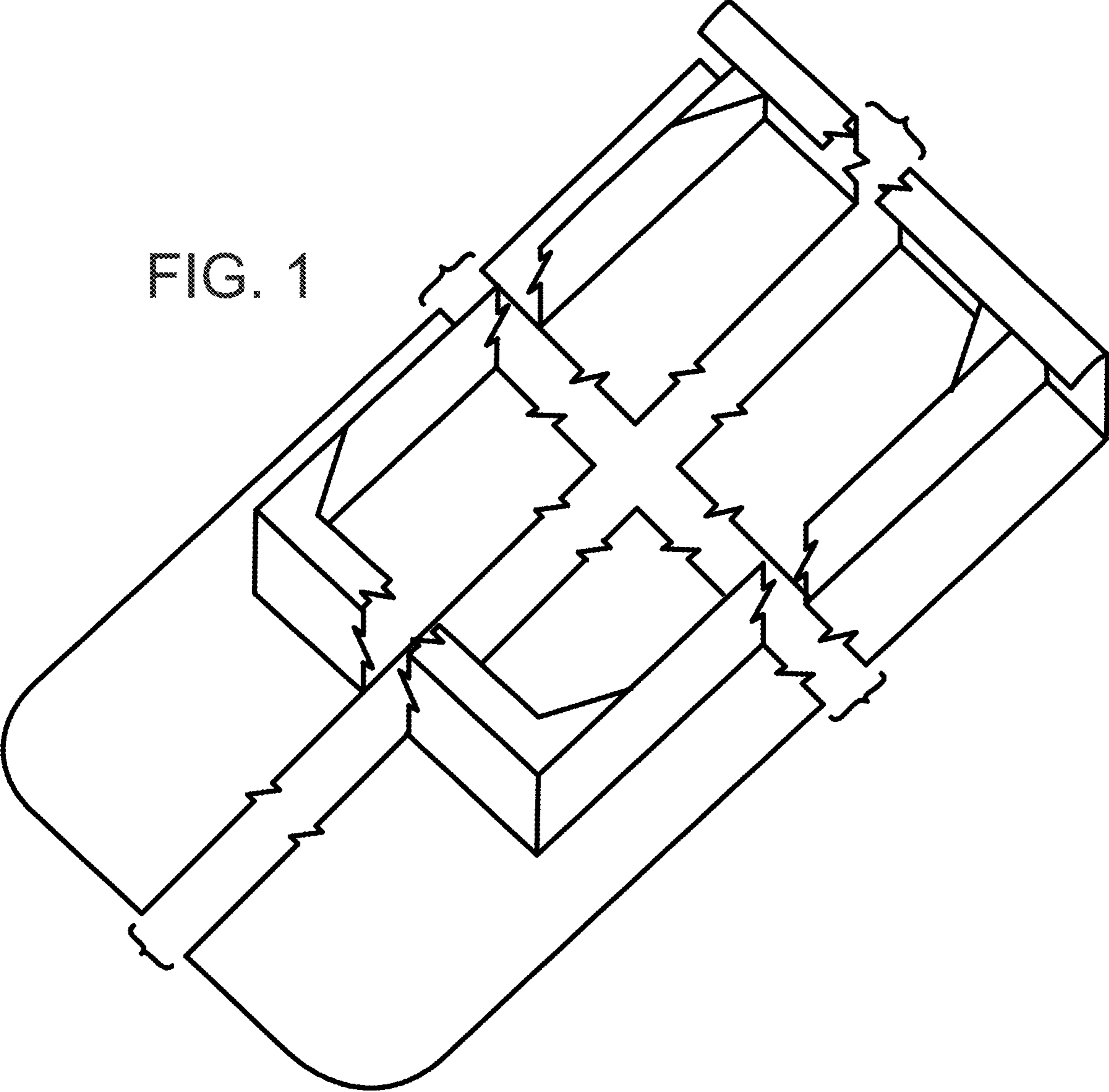


FIG. 2

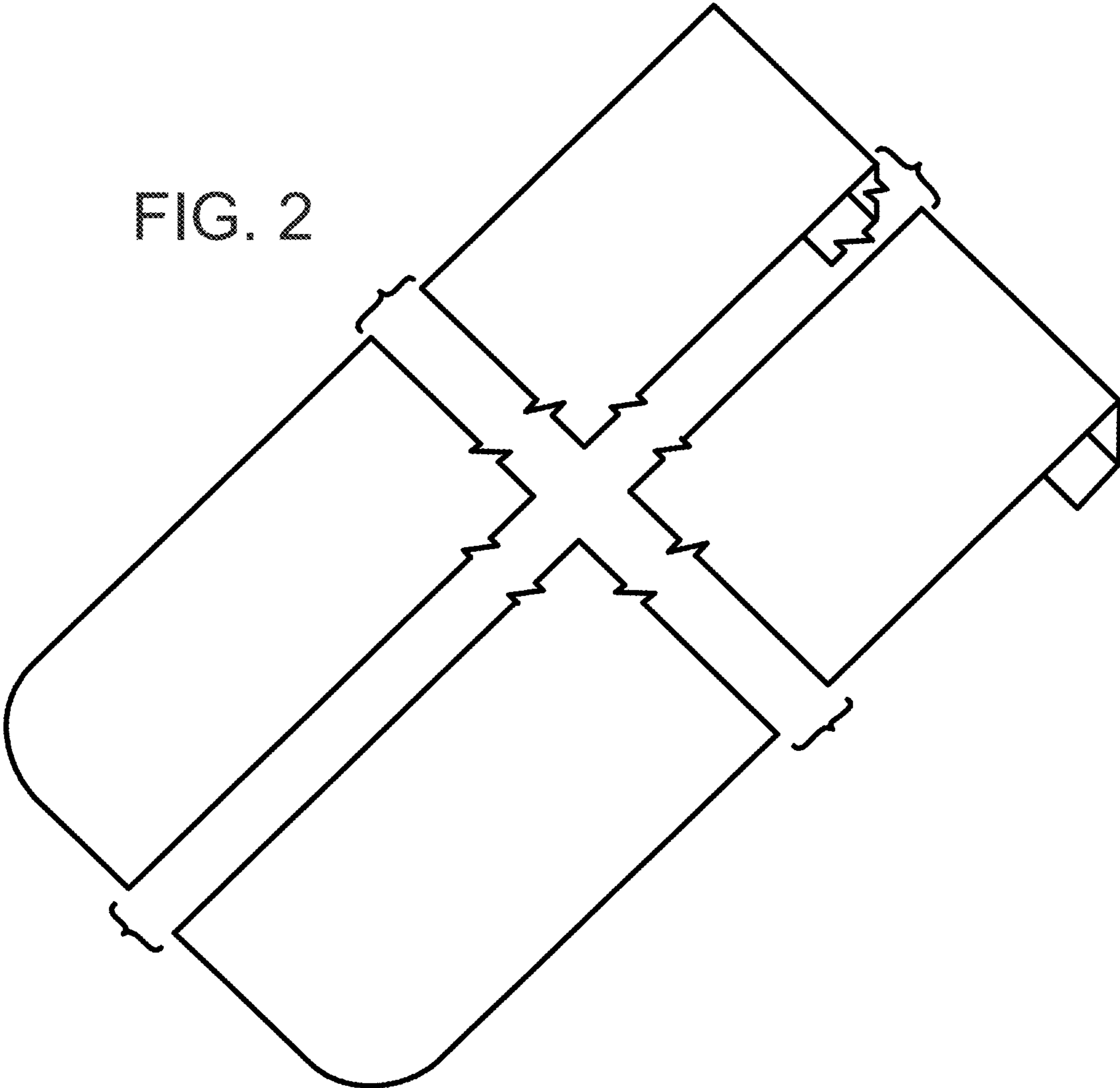


FIG. 3

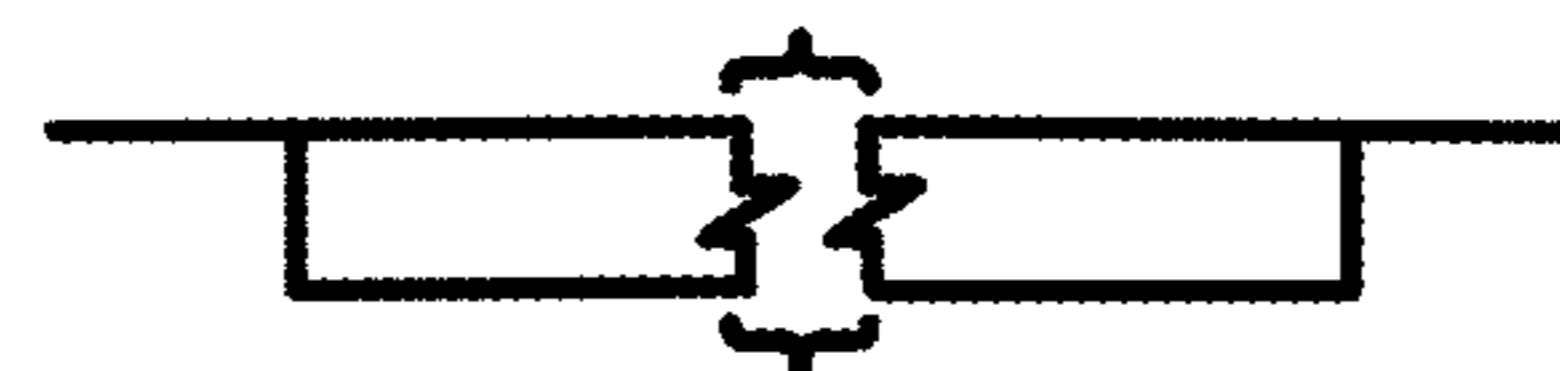
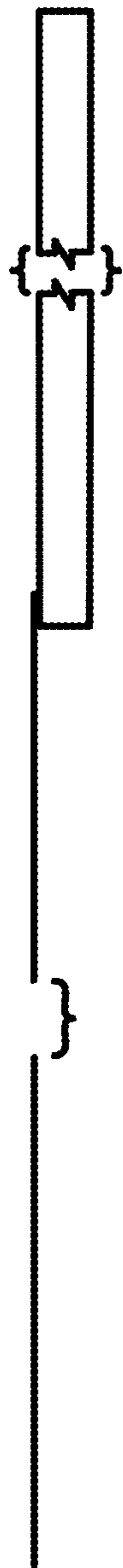


FIG. 4



FIG. 5

FIG. 6

