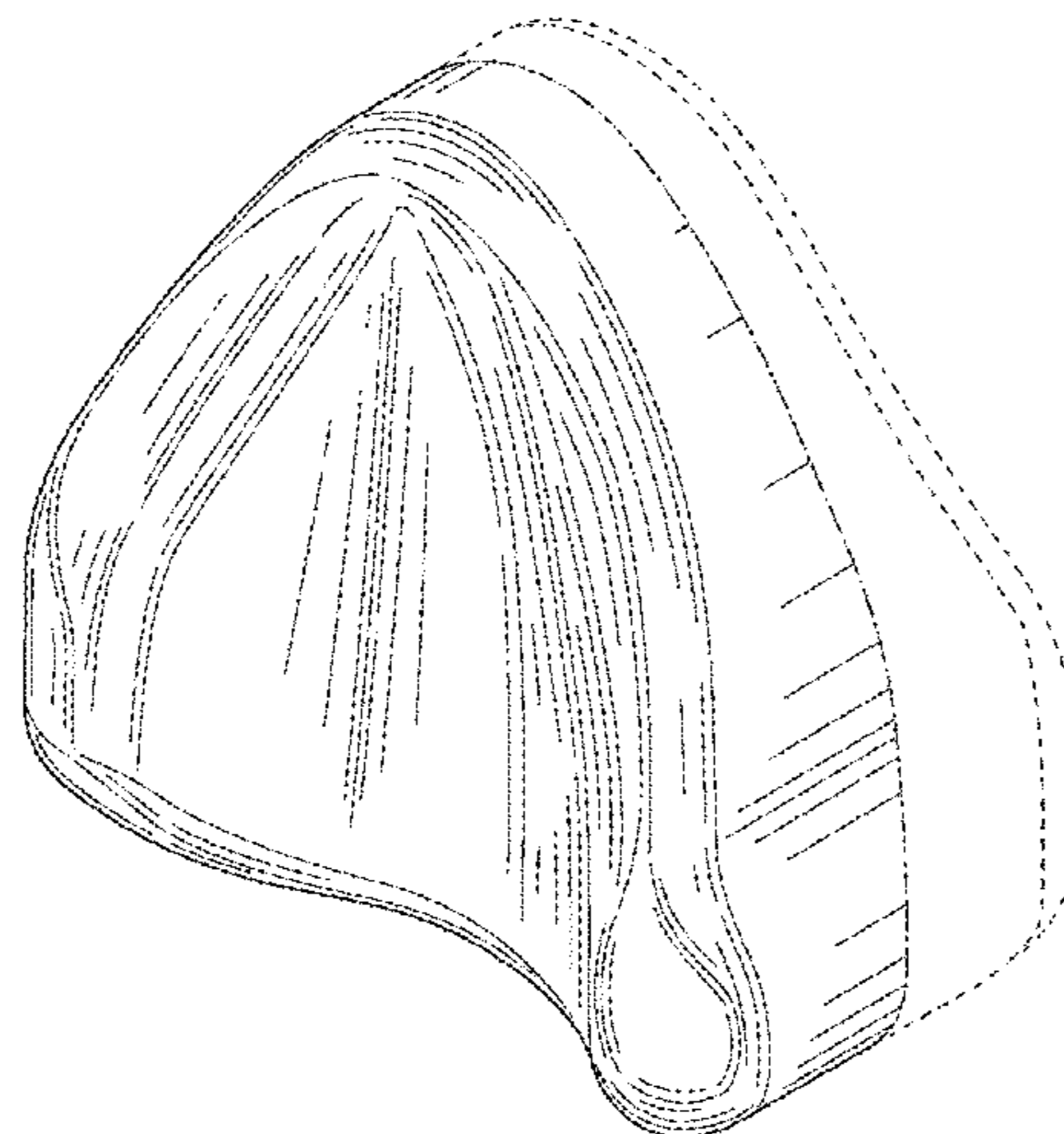




US00D980647S

(12) **United States Design Patent** (10) **Patent No.:** **US D980,647 S**  
**Davis et al.** (45) **Date of Patent:** **\*\* Mar. 14, 2023**

- (54) **PILLOW** 2,056,767 A 10/1936 Blath  
 2,522,120 A 9/1950 Kaskey et al.  
 2,759,200 A 8/1956 Johnston  
 2,816,556 A \* 12/1957 Weber ..... A45D 29/22  
 132/75
- (71) Applicant: **BANYAN LICENSING L.L.C.**,  
 Charlotte, NC (US) 2,835,905 A 5/1958 Tomasson  
 2,877,472 A 3/1959 Wagner  
 3,308,489 A 3/1967 Winkler  
 D211,244 S \* 6/1968 Hawley ..... D23/278  
 3,604,023 A 9/1971 Lynch  
 3,795,018 A 3/1974 Broaded  
 3,946,451 A 3/1976 Spann  
 4,007,503 A 2/1977 Watkin  
 4,173,048 A 11/1979 Varaney  
 4,177,806 A 12/1979 Griffin  
 D258,557 S \* 3/1981 Herr ..... 5/636  
 D268,803 S \* 5/1983 Roberts ..... D6/601  
 4,447,922 A 5/1984 Brochu  
 4,480,346 A 11/1984 Hawkins et al.  
 4,584,730 A 4/1986 Rajan  
 4,624,021 A 11/1986 Hofstetter  
 D293,186 S \* 12/1987 Parnham ..... D6/596  
 D295,248 S \* 4/1988 Sommerfield ..... D6/601  
 4,736,477 A 4/1988 Moore  
 4,754,510 A 7/1988 King  
 4,910,818 A 3/1990 Grabill et al.  
 D316,354 S \* 4/1991 Bool ..... D6/601  
 5,117,522 A 6/1992 Everett  
 5,125,123 A 6/1992 Engle  
 5,216,771 A 6/1993 Hoff  
 5,269,323 A 12/1993 Krouskop  
 D346,926 S \* 5/1994 Sullivan ..... D6/596  
 5,340,067 A \* 8/1994 Martin ..... G06F 3/039  
 248/118.5  
 D354,876 S \* 1/1995 Pace ..... D6/596  
 5,416,908 A 5/1995 Dicarolo et al.  
 5,418,991 A 5/1995 Shiflett  
 D381,232 S \* 7/1997 Jansson ..... 5/636  
 5,664,271 A 9/1997 Bellavance  
 5,746,218 A 5/1998 Edge  
 D400,304 S \* 10/1998 Stankovic ..... D28/57  
 D414,368 S \* 9/1999 Wingard ..... D6/601  
 6,032,669 A 3/2000 Klein  
 6,145,508 A 11/2000 Seip  
 6,154,905 A 12/2000 Frydman  
 6,175,979 B1 1/2001 Jackson  
 6,179,756 B1 1/2001 Bertolucci et al.  
 D438,624 S 3/2001 Reina  
 6,438,779 B1 8/2002 Brown  
 D464,520 S 10/2002 Bond  
 6,564,407 B1 5/2003 Luu et al.  
 6,578,218 B2 6/2003 Wassilefsky  
 6,640,368 B2 11/2003 Roston
- (72) Inventors: **Edmund Scott Davis**, Lake Wylie, SC  
 (US); **Scott Allen Sattizahn**, Charlotte,  
 NC (US)
- (73) Assignee: **BANYAN LICENSING L.L.C.**,  
 Charlotte, NC (US)
- (\*\*) Term: **15 Years**
- (21) Appl. No.: **29/688,442**
- (22) Filed: **Apr. 22, 2019**
- Related U.S. Application Data**
- (63) Continuation of application No. 29/653,513, filed on  
 Jun. 15, 2018, now Pat. No. Des. 846,312.
- (51) **LOC (14) Cl.** ..... **06-09**
- (52) **U.S. Cl.**  
 USPC ..... **D6/601**
- (58) **Field of Classification Search**  
 USPC ..... D6/582-583, 587-592, 595-609,  
 D6/617-622; D2/719; D24/183-184,  
 D24/234  
 CPC ..... A47G 9/00; A47G 2009/001; A47G  
 2009/002; A47G 2009/003; A47G  
 2009/005; A47G 9/02; A47G 9/0207;  
 A47G 9/0215; A47G 9/0223; A47G  
 9/023; A47G 9/0238; A47G 9/0246;  
 A47G 9/0253; A47G 9/0261; A47G 9/06;  
 A47G 9/062; A47G 9/066; A47G 9/08;  
 A47G 9/083; A47G 9/086; A47G 9/04;  
 A47G 2009/0276; A47G 9/0292  
 See application file for complete search history.
- (56) **References Cited**  
 U.S. PATENT DOCUMENTS  
 1,312,886 A 8/1919 William  
 1,890,358 A 12/1932 Barcalo



6,760,936	B1	7/2004	Lloyd	
6,789,282	B1	9/2004	Frydman	
6,807,697	B2	10/2004	Druery et al.	
D502,834	S *	3/2005	Wells	D6/601
D503,580	S *	4/2005	Donoghue	D6/601
6,886,201	B1	5/2005	Weiss-Lohrei	
7,150,057	B1	12/2006	Santiago et al.	
D539,066	S *	3/2007	Coquillette	D6/601
D546,107	S *	7/2007	Babcock	D6/601
D612,654	S *	3/2010	Eura	D6/601
7,735,169	B2	6/2010	Wassilefsky	
D637,439	S *	5/2011	Mettler	D6/601
8,418,297	B2	4/2013	Mikkelsen et al.	
8,656,537	B2	2/2014	Leifermann et al.	
D702,329	S	4/2014	Cerda	
8,931,120	B1	1/2015	Cerda	
D726,451	S *	4/2015	Lee	D6/601
D727,661	S *	4/2015	Blumenthal	D6/601
D732,313	S *	6/2015	Fux	D6/601
D733,462	S *	7/2015	Pellegrini	D6/601
D734,545	S *	7/2015	Cantu	D28/57
D734,546	S *	7/2015	Baker	D28/57
D754,990	S *	5/2016	Velasquez	D6/601
D755,542	S *	5/2016	Stephanoff	D6/601
9,603,458	B2	3/2017	Pelletier	
9,648,959	B2	5/2017	Frydman	
9,775,440	B1	10/2017	Chon et al.	
9,775,451	B1	10/2017	Chon et al.	
9,795,232	B2	10/2017	Holbrook et al.	
D817,032	S *	5/2018	Yang	D6/601
D823,027	S *	7/2018	Zou	D6/601
D826,596	S *	8/2018	Yang	D6/601
D828,702	S *	9/2018	Chen	D6/601
D836,363	S *	12/2018	Cornelius	D6/601
D837,386	S *	1/2019	Barber	D24/184
D837,569	S *	1/2019	Barcohana	D6/601
D838,513	S *	1/2019	Davis	D6/601
D846,312	S *	4/2019	Davis et al.	
D880,902	S	4/2020	Davis	
D898,443	S	10/2020	Romano	
D898,444	S	10/2020	Chen et al.	
D930,401	S	9/2021	Ye	
D943,752	S	2/2022	Watters, III et al.	
11,357,347	B1	6/2022	Mani	
2002/0095731	A1	7/2002	Hall et al.	
2005/0000021	A1	1/2005	Bordan	
2005/0172408	A1	8/2005	Temple	
2005/0273934	A1	12/2005	Hunter	
2008/0092297	A1	4/2008	Davis et al.	
2008/0301878	A1	12/2008	Elhabashy	
2009/0211031	A1	8/2009	Kloes	
2009/0229056	A1	9/2009	Edinger	
2010/0078033	A1	4/2010	Aikman	
2010/0319707	A1	12/2010	Cardin	
2012/0005834	A1	1/2012	Kent	
2012/0112506	A1	5/2012	Glyck	
2013/0074269	A1	3/2013	Phillips, II	
2013/0232693	A1	9/2013	Myers	
2013/0283534	A1	10/2013	Marinkovic	
2014/0041125	A1	2/2014	Grealy	
2014/0215719	A1	8/2014	Gibbons	
2016/0100694	A1	4/2016	Pelletier	
2017/0119624	A1	5/2017	Kim	
2020/0022500	A1	1/2020	Green	

FOREIGN PATENT DOCUMENTS

CA	2272161	A1	11/2000
CA	2882016	C	4/2016
CN	205947965	U	2/2017
FR	2841758	A1	1/2004
GB	2417897	A	3/2006
GB	9005490562-0001	*	7/2018
GB	9005490562-0002	*	7/2018
GB	9005490562-0003	*	7/2018
JP	D1650071	*	1/2020
JP	D1650335	*	1/2020
JP	D1650336	*	1/2020
NL	1017231	C2	7/2002

WO	0076371	A3	2/2001
WO	2004062442	A1	7/2004
WO	2006099712	A1	9/2006
WO	2012162751	A1	12/2012
WO	2013075148	A1	5/2013
WO	2014025181	A1	2/2014
WO	2014121258	A1	8/2014
WO	2016046415	A1	3/2016

OTHER PUBLICATIONS

Legacy Leg Pillow & Knee Support Wedge, earliest review date May 22, 2019, [online], [site visited May 12, 2022]. Available from Internet, <URL: <https://www.walmart.com/ip/Legacy-Leg-Pillow-for-Back-Hip-Legs-Knee-Support-Wedge/963786665>> (Year: 2019).\*

Contour Legacy Leg & Knee Support Wedge, earliest pictured review date Mar. 4, 2019, [online], [site visited May 12, 2022]. Available from Internet, <URL: [https://www.amazon.com/Contour-Legacy-Support-Sciatica-Pressure/dp/B07MFN8FRT/ref=sr\\_1\\_43?crid=1RHE3O55SD0H4&keywords=knee%2Bwedge%2Bpillow&qid=1652401589&srefix=knee%2Bwedge%2Bpillow%2Caps%2C102&sr=8-43&th=1](https://www.amazon.com/Contour-Legacy-Support-Sciatica-Pressure/dp/B07MFN8FRT/ref=sr_1_43?crid=1RHE3O55SD0H4&keywords=knee%2Bwedge%2Bpillow&qid=1652401589&srefix=knee%2Bwedge%2Bpillow%2Caps%2C102&sr=8-43&th=1)> (Year: 2019).\*

International Preliminary Report on Patentability issued for Application No. PCT/US2019/014800 dated Jul. 28, 2020.

Notice of Allowance issued for Application No. 16/252/221 dated Sep. 16, 2020.

Notice of Allowance issued by the United States Patent and Trademark Office for U.S. Appl. No. 16/252,221 dated Sep. 16, 2020.

International Search Report for PCT Application No. PCT/US2019/014800 dated Jun. 5, 2019.

Written Opinion for PCT Application No. PCT/US2019/014800 dated Jun. 5, 2019.

Office Action issued by Japan Patent Office for Japanese Design Application No. 2018-027266 dated Jun. 18, 2019.

Office Action issued by the United States Patent and Trademark Office for U.S. Appl. No. 17/150,914, dated Sep. 30, 2022.

\* cited by examiner

*Primary Examiner* — Sanjeev Paul  
(74) *Attorney, Agent, or Firm* — Moore & Van Allen, PLLC; Henry B. Ward, III

(57) **CLAIM**

The ornamental design for a pillow, as shown and described.

**DESCRIPTION**

FIG. 1 is a front, top, and right-side perspective view of a pillow according to a first embodiment of the present invention;

FIG. 2 is a front elevational view of the pillow shown in FIG. 1;

FIG. 3 is a rear elevational view of the pillow shown in FIG. 1;

FIG. 4 is a right-side elevational view of the pillow shown in FIG. 1;

FIG. 5 is a left-side elevational view of the pillow shown in FIG. 1;

FIG. 6 is a bottom plan view of the pillow shown in FIG. 1;

FIG. 7 is a top plan view of the pillow shown in FIG. 1; and

FIG. 8 is a front, top, and right-side perspective view of a pillow according to a second embodiment of the present invention;

FIG. 9 is a front elevational view of the pillow shown in FIG. 8;

FIG. 10 is a rear elevational view of the pillow shown in FIG. 8;

FIG. **11** is a right-side elevational view of the pillow shown in FIG. **8**;

FIG. **12** is a left-side elevational view of the pillow shown in FIG. **8**;

FIG. **13** is a bottom plan view of the pillow shown in FIG. **8**; and,

FIG. **14** is a top plan view of the pillow shown in FIG. **8**.

The surface shading, if any, illustrated in the drawings is provided merely to highlight the contour of the design; it is not intended to be illustrative of texture or gloss. The dot-dash broken lines, which are immediately adjacent to shaded areas, define the bounds of the claimed design, while the dashed broken lines are directed to environmental subject matter only; broken lines form no part of the claimed invention.

**1 Claim, 14 Drawing Sheets**

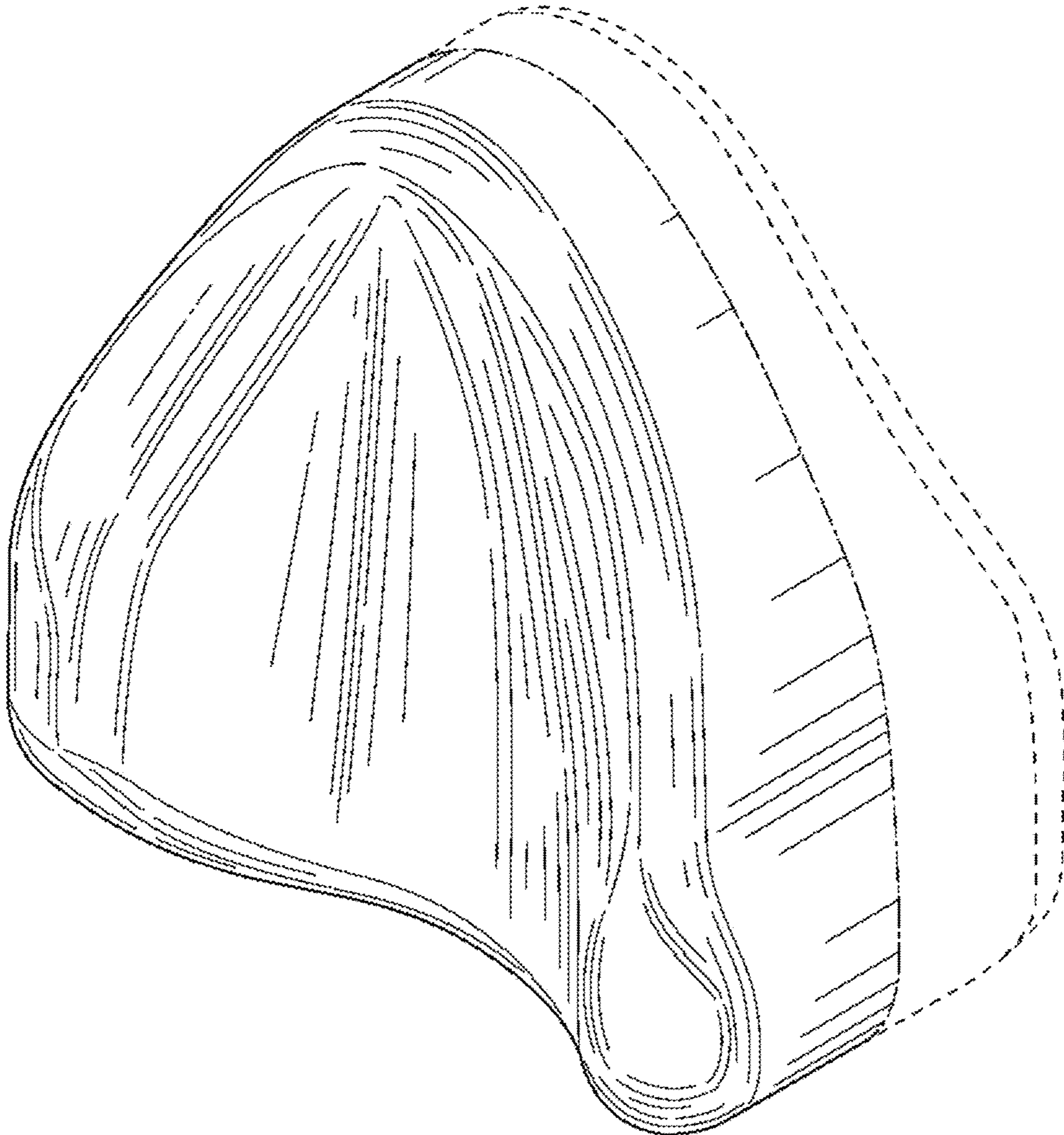


Fig. 1

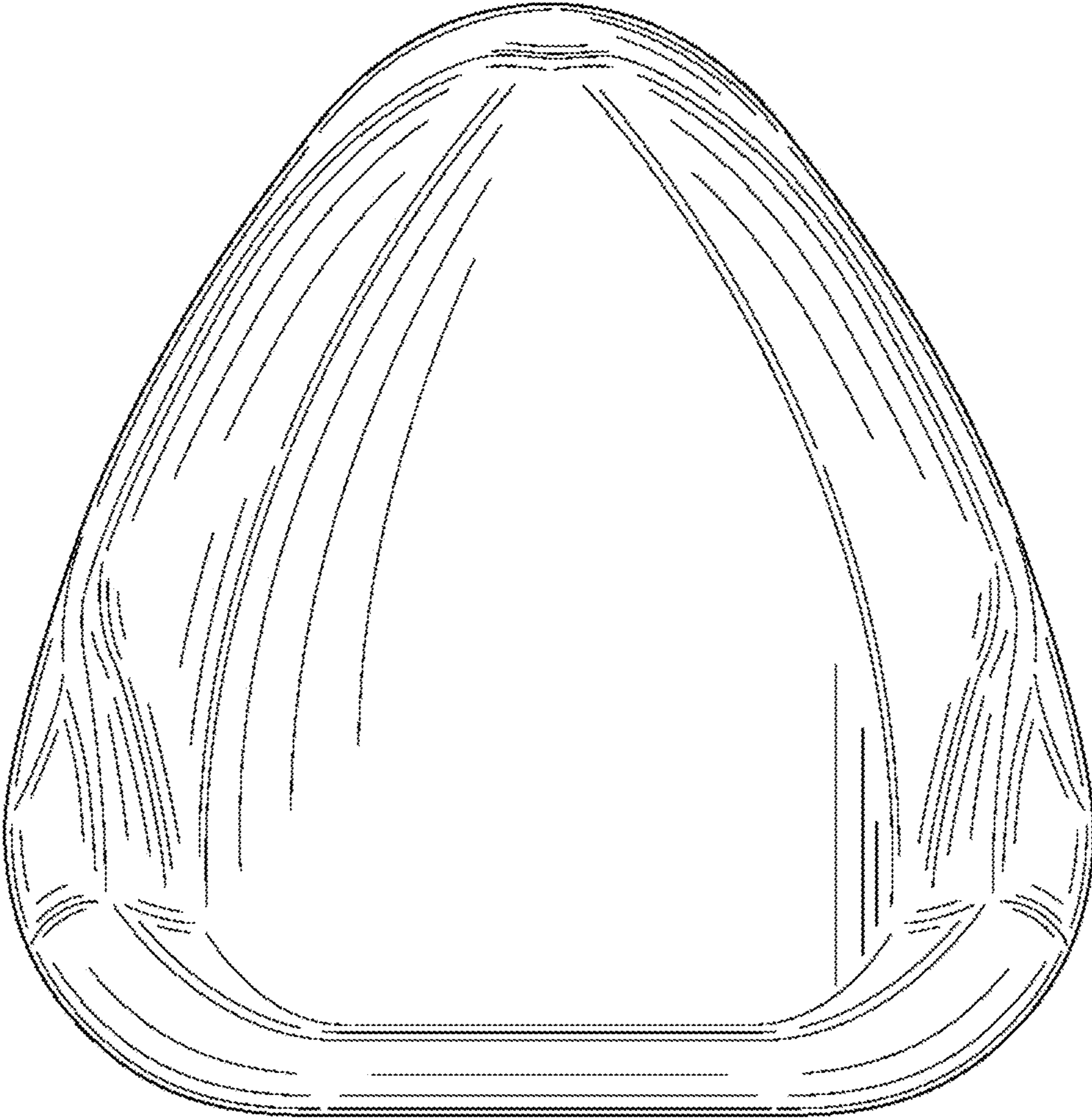


Fig. 2

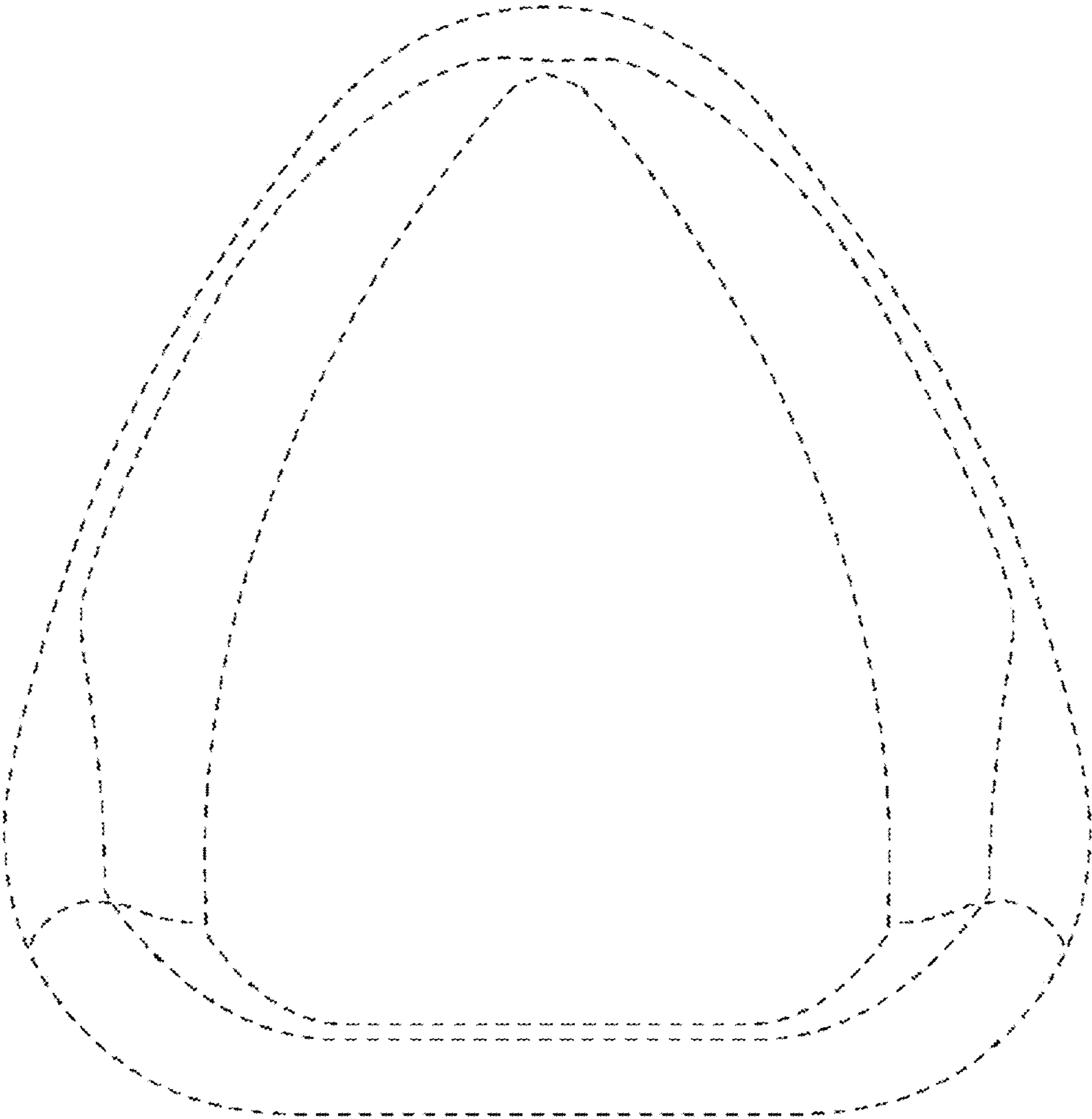


Fig. 3

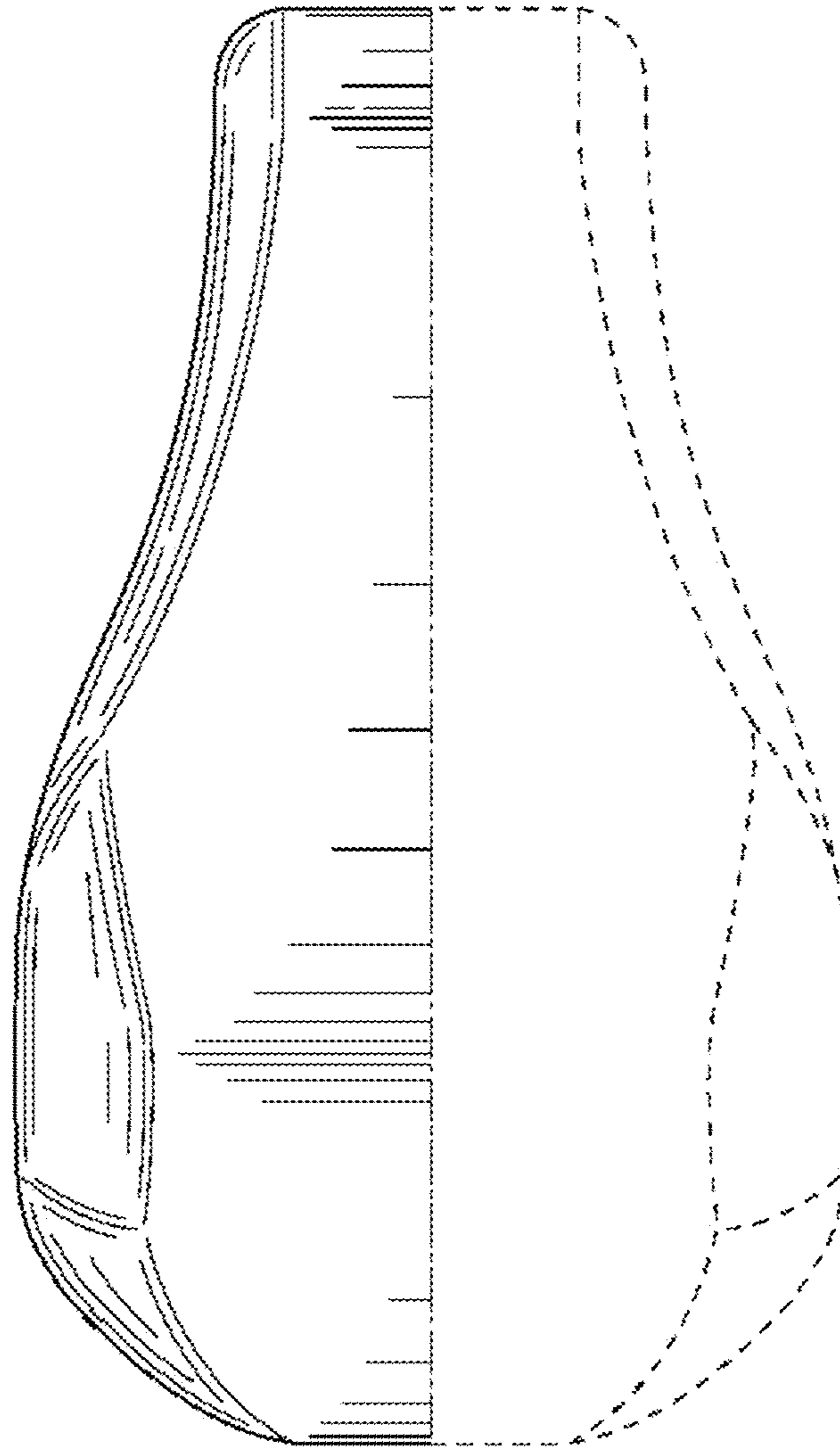


Fig. 4

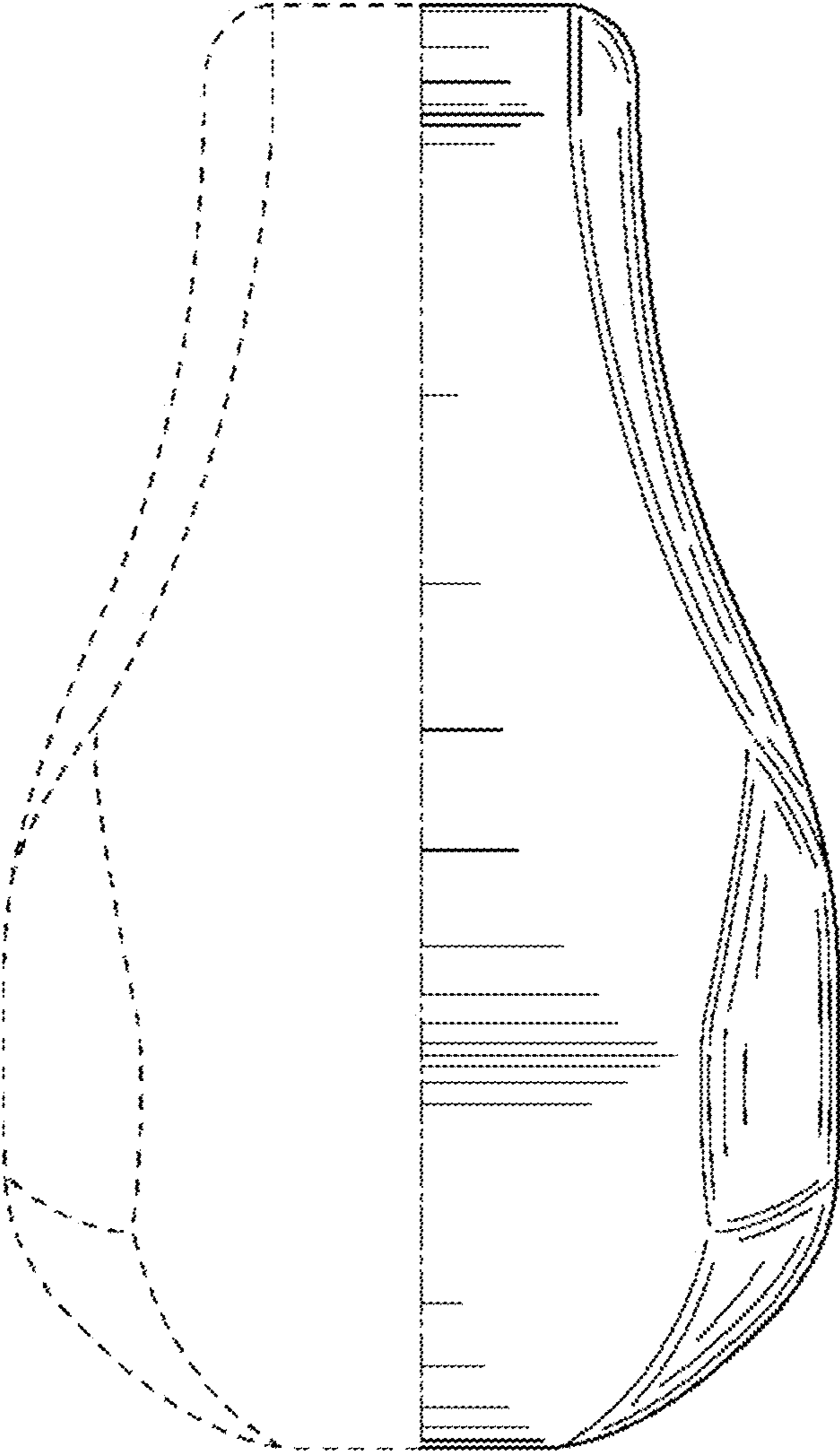


Fig. 5



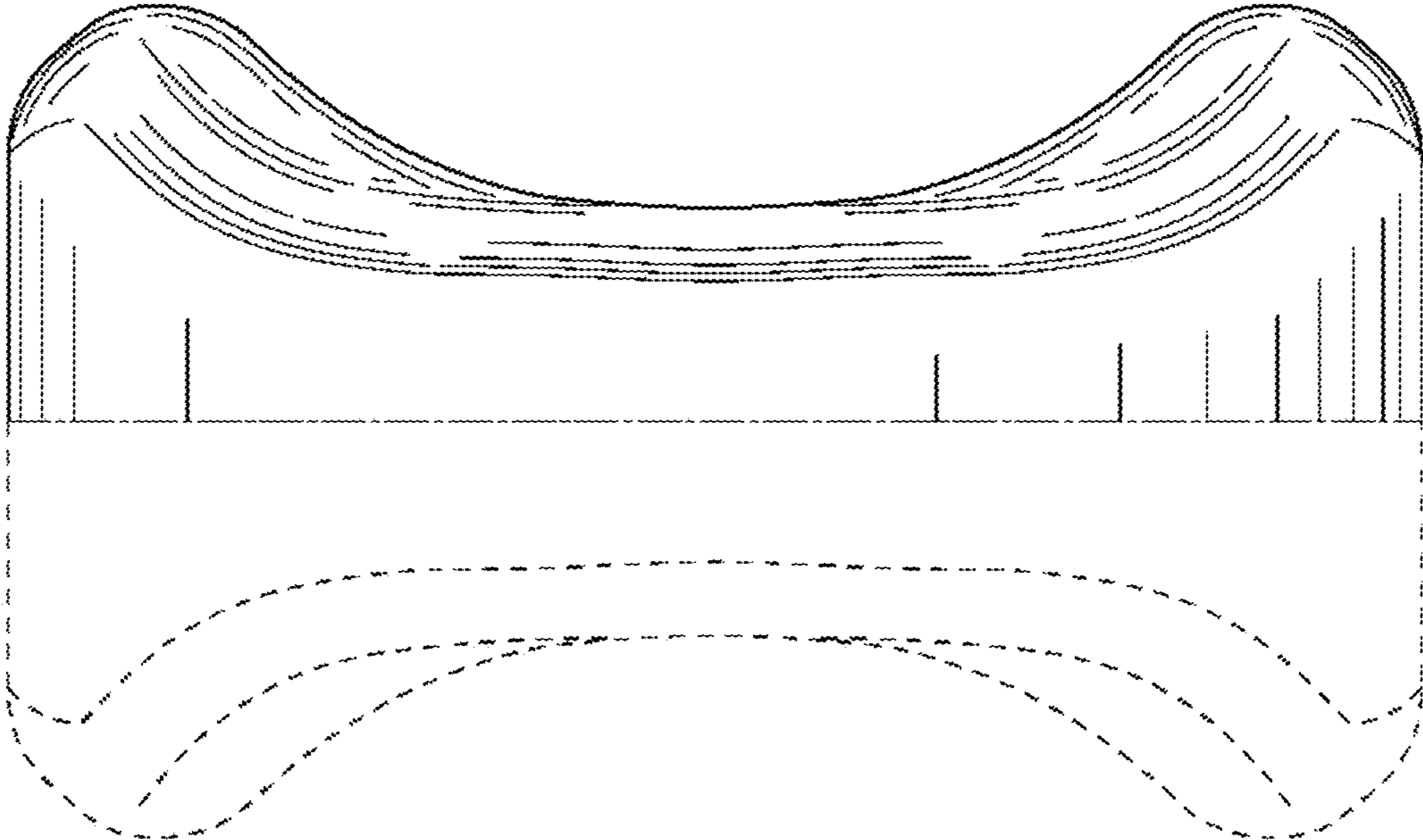


Fig. 6

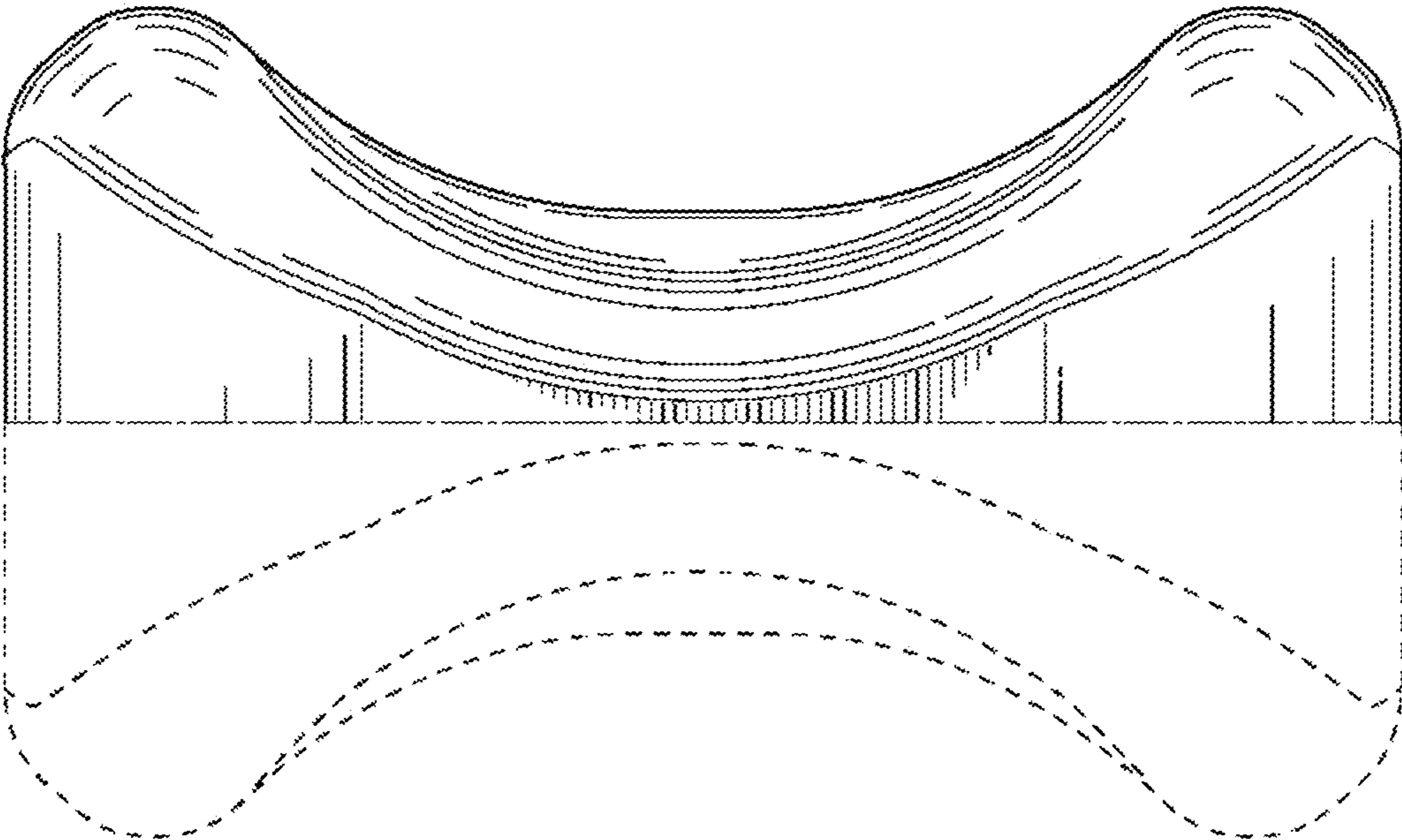


Fig. 7

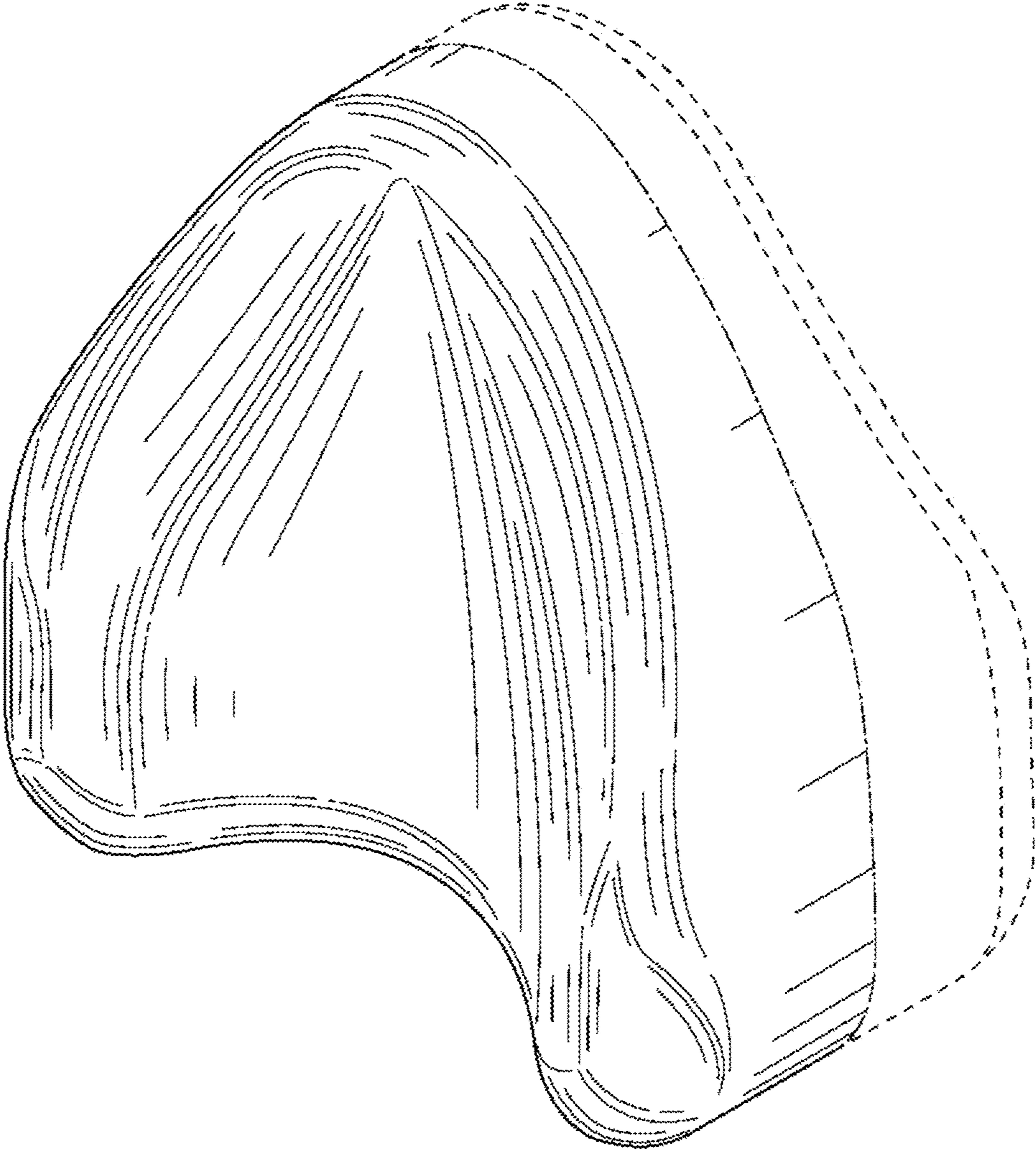


Fig. 8

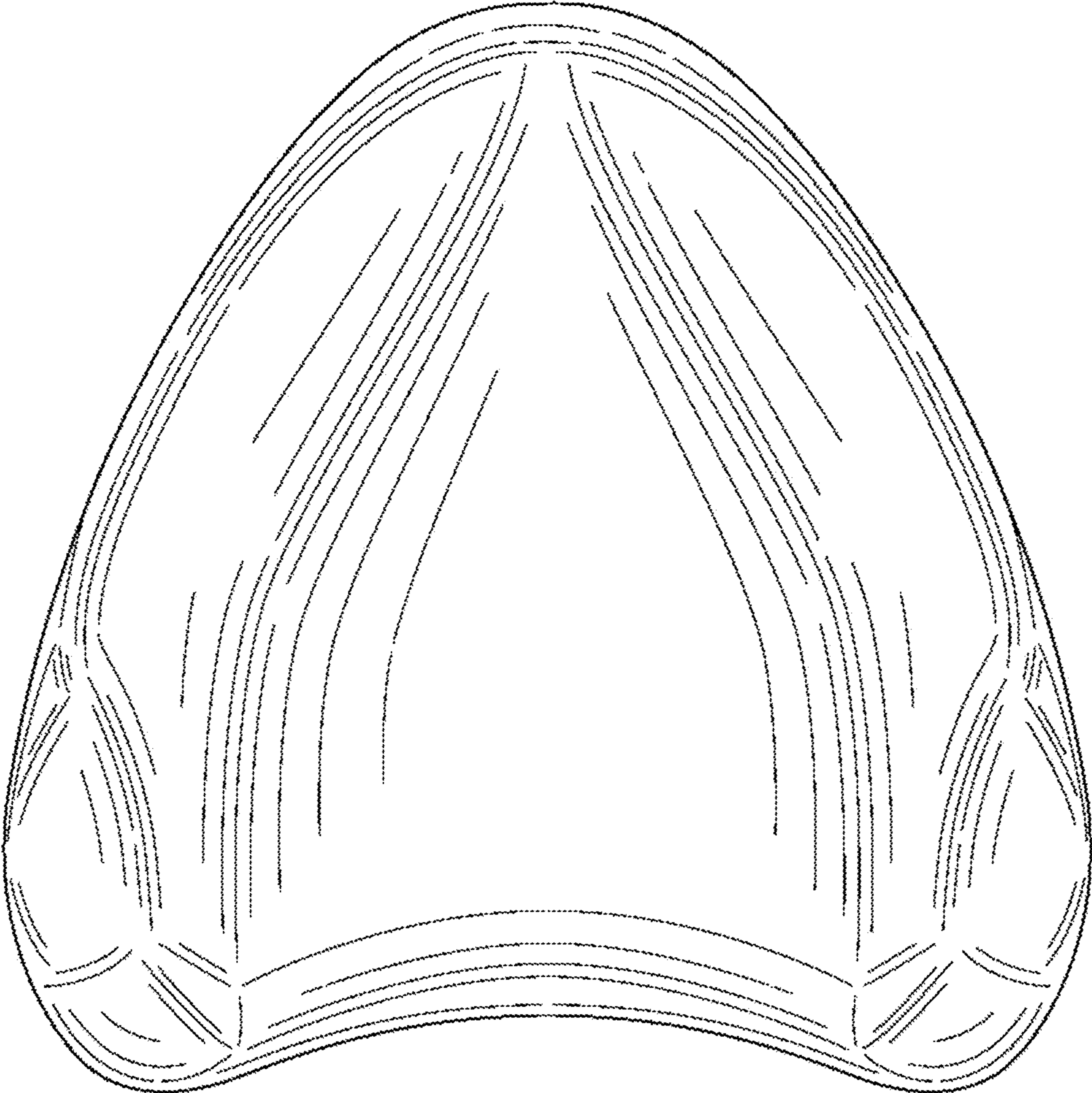


Fig. 9

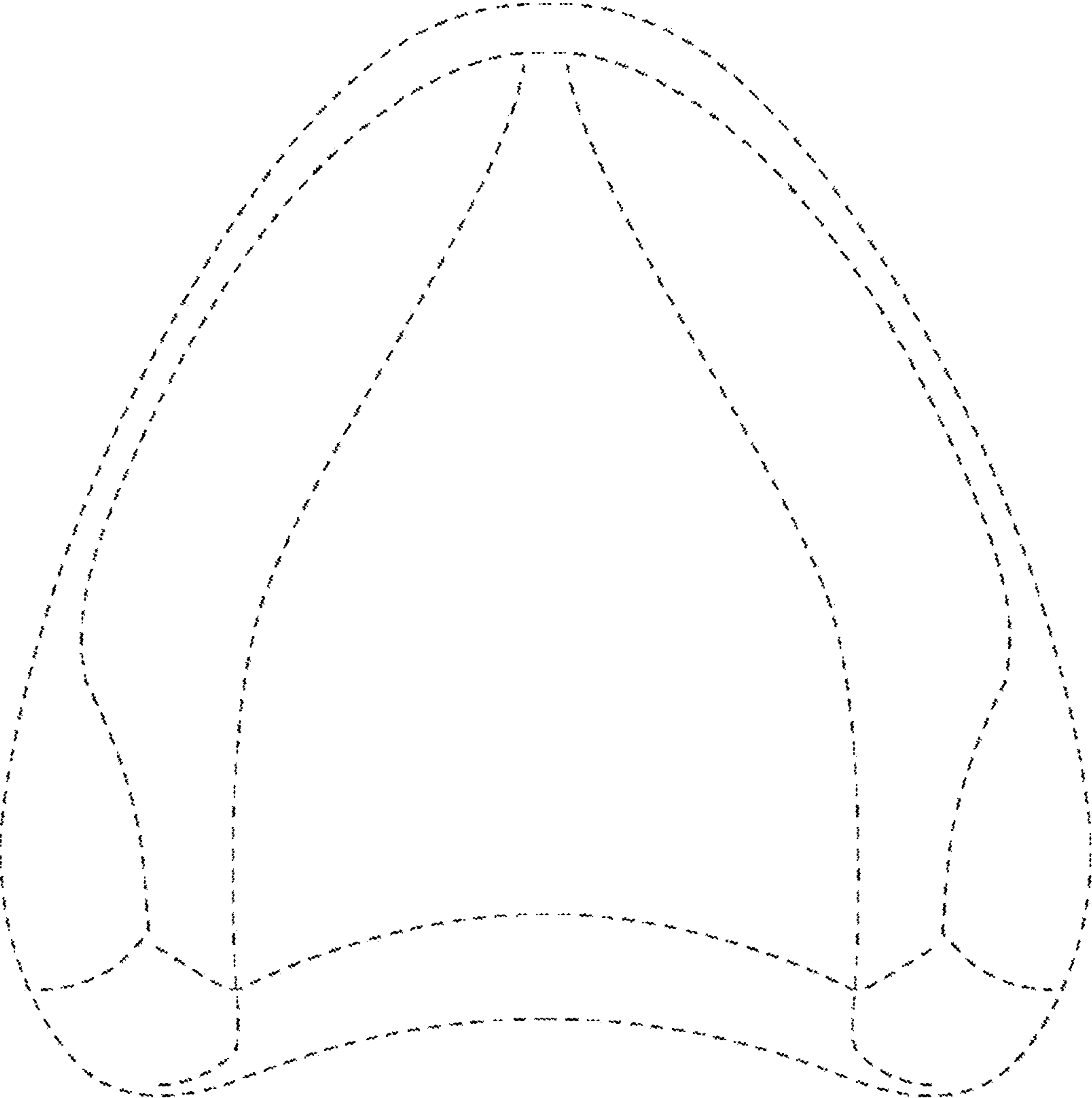


Fig. 10

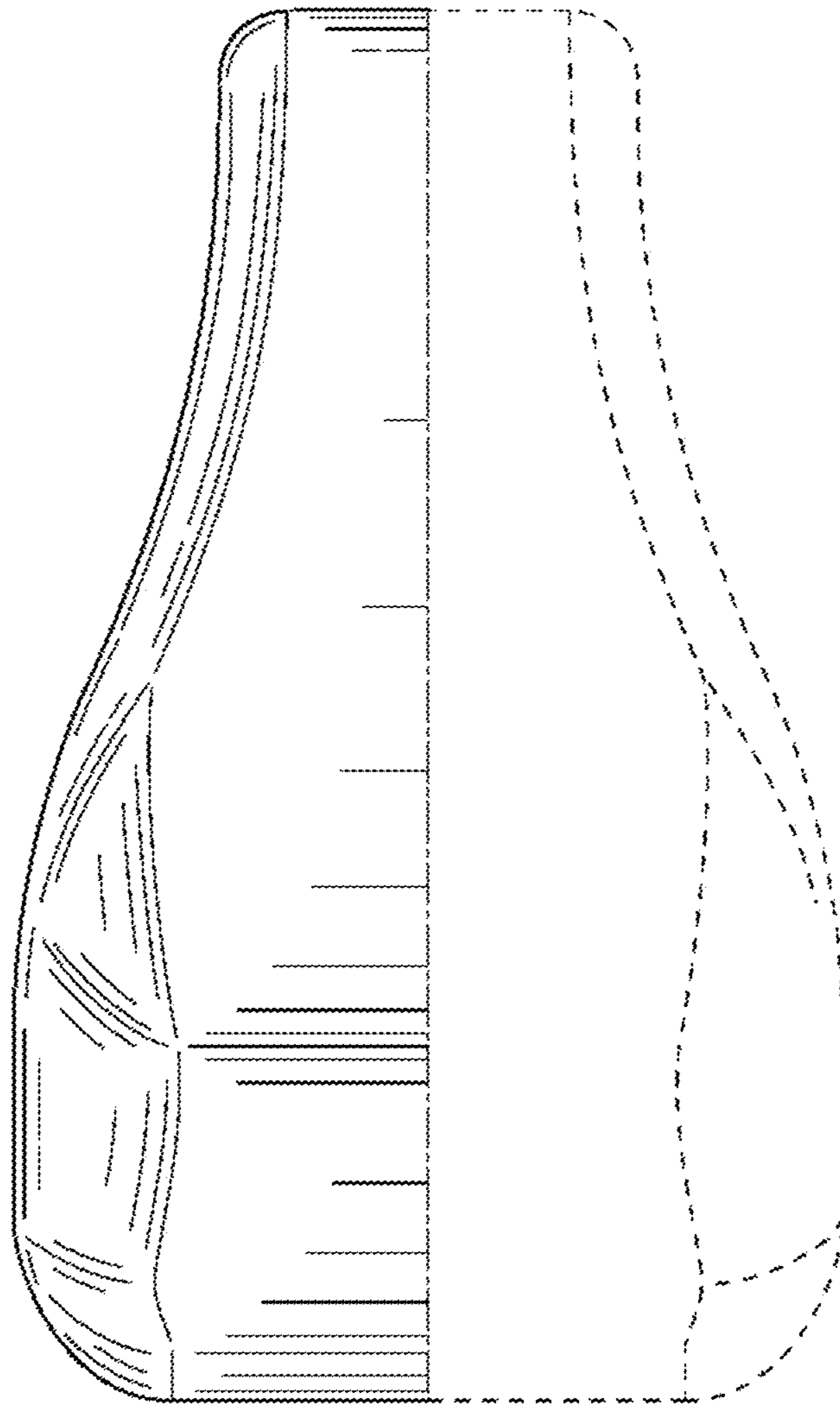


Fig. 11

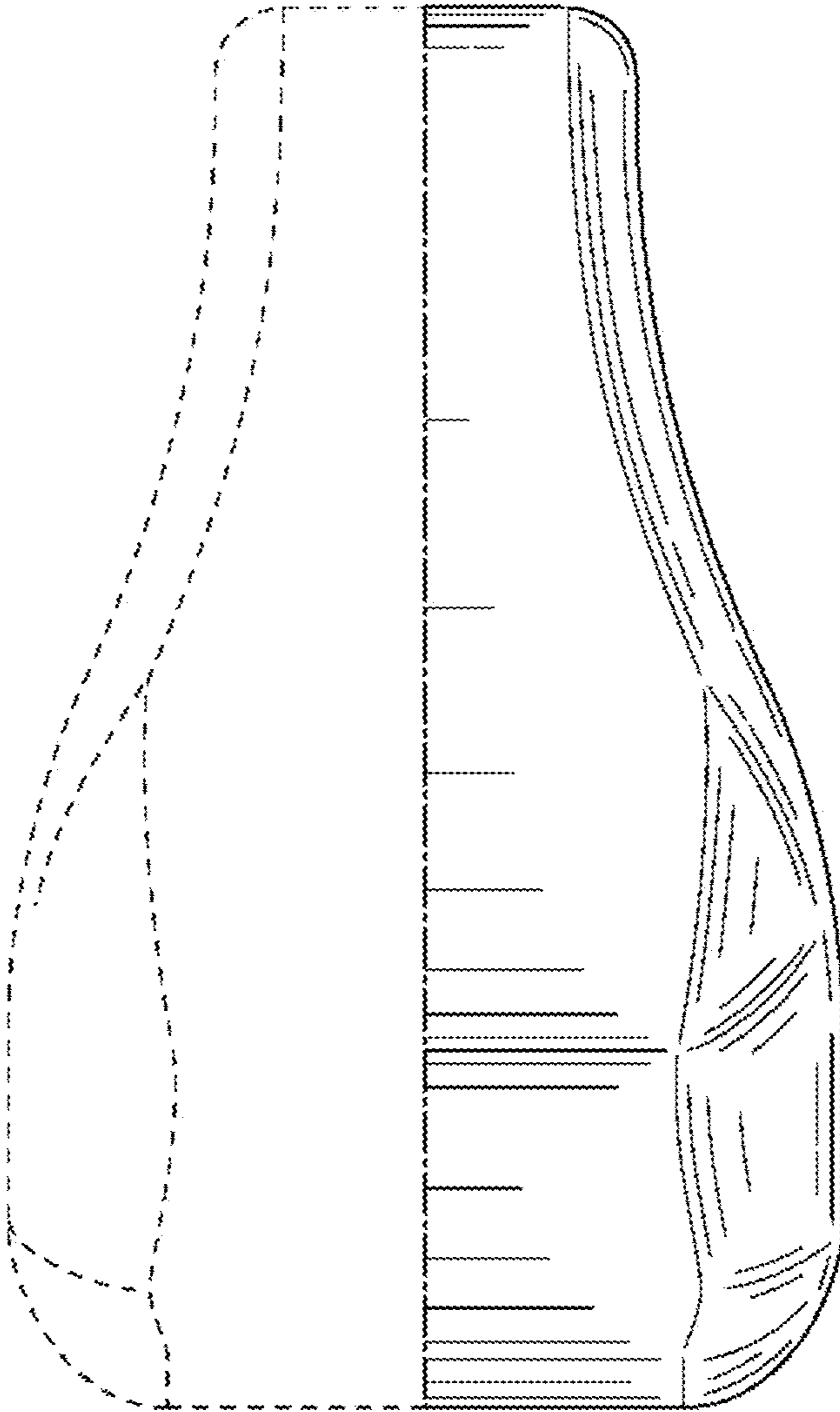


Fig. 12

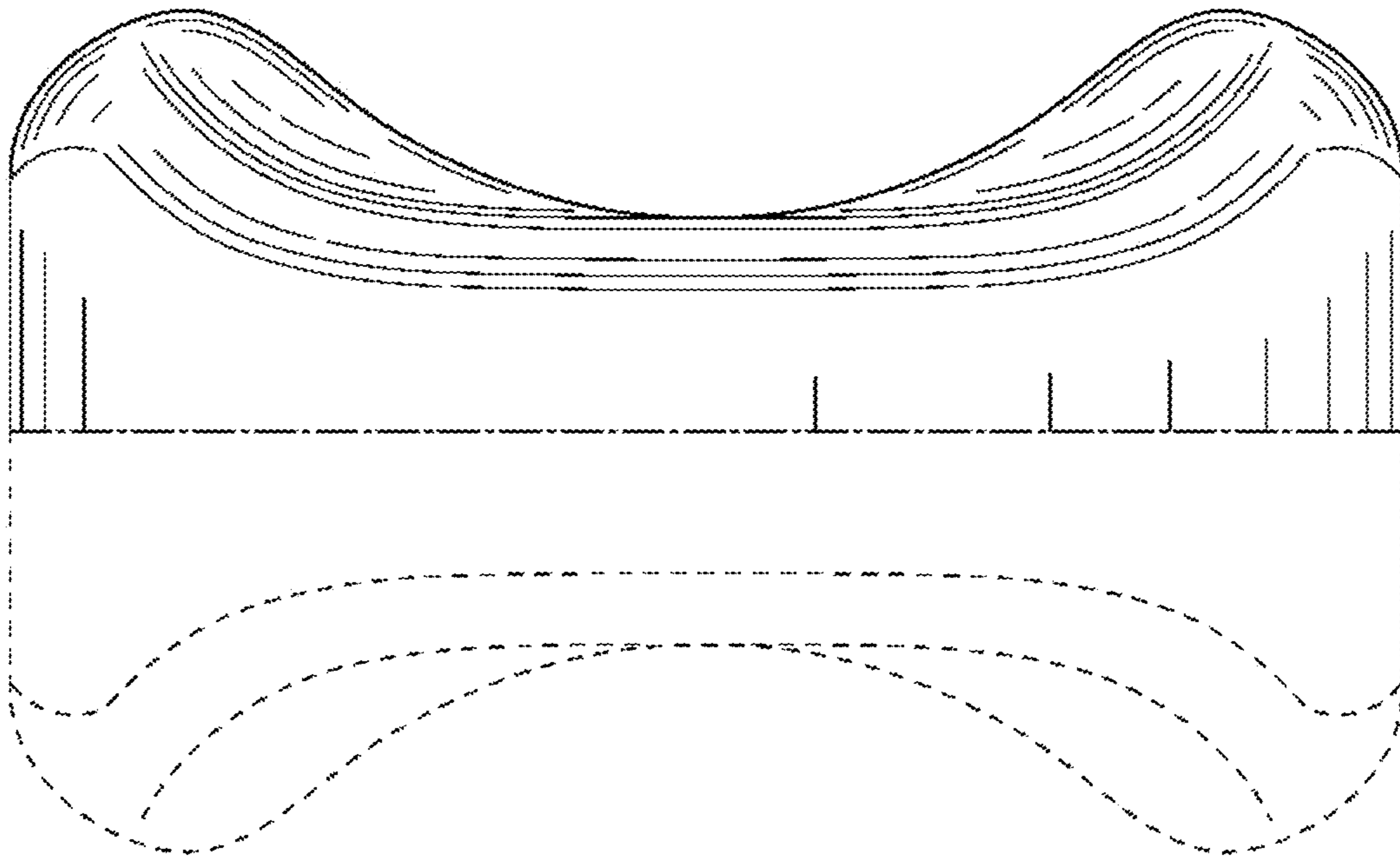


Fig. 13



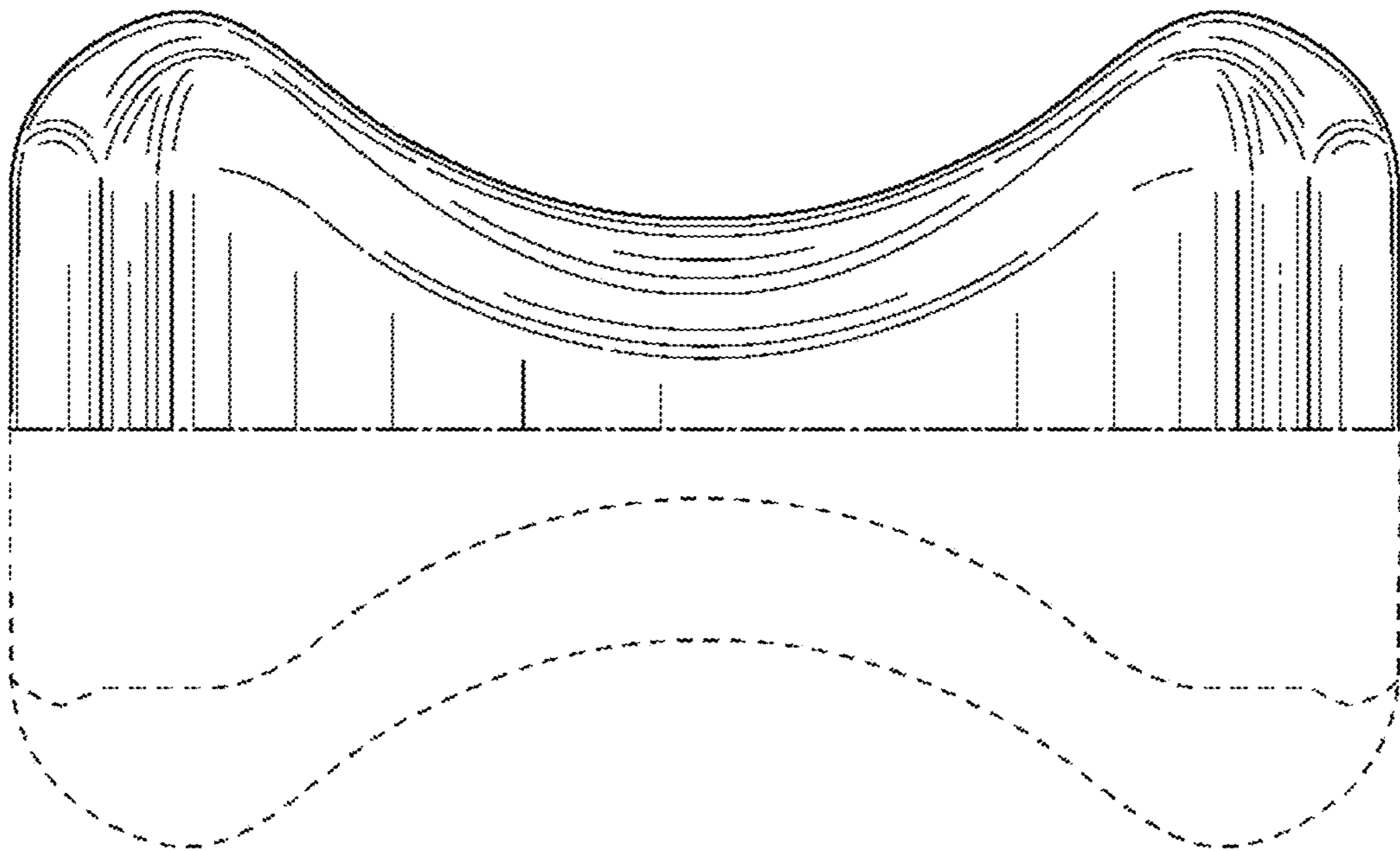


Fig. 14