



US00D980646S

(12) **United States Design Patent**  
**Mason**

(10) **Patent No.:** **US D980,646 S**  
(45) **Date of Patent:** **\*\* Mar. 14, 2023**

(54) **SHOWER CURTAIN COUNTERWEIGHT ASSEMBLY**

(71) Applicant: **Charles Mason**, Golden, CO (US)

(72) Inventor: **Charles Mason**, Golden, CO (US)

(\*\*) Term: **15 Years**

(21) Appl. No.: **29/731,076**

(22) Filed: **Apr. 10, 2020**

(30) **Foreign Application Priority Data**

Oct. 10, 2019 (CN) ..... 201930549260.8  
Oct. 10, 2019 (CN) ..... 201930550499.7

(51) **LOC (14) Cl.** ..... **06-10**

(52) **U.S. Cl.**  
USPC ..... **D6/580**

(58) **Field of Classification Search**  
USPC ..... D5/31, 41, 99; D6/575-581; D13/155;  
D26/138  
CPC ..... E06B 2009/425; E06B 2009/445; E06B  
2009/583; E06B 2009/785; E06B 9/32;  
E06B 9/323; E06B 9/326; E06B 9/388;  
E06B 9/40; E06B 9/42; E06B 9/46; E06B  
9/48; A47K 3/38; A47H 1/04; A47H  
11/00;

(Continued)

(56) **References Cited**

**U.S. PATENT DOCUMENTS**

D38,994 S \* 1/1908 White ..... D6/579  
2,120,155 A 6/1938 Shera

(Continued)

**FOREIGN PATENT DOCUMENTS**

DE 29606634 U1 7/1996  
WO 1993004620 A1 3/1993

**OTHER PUBLICATIONS**

Chinese Notice of Allowance dated Sep. 4, 2020, for Chinese Application No. 201930551699.4, pp. 1-3.

(Continued)

*Primary Examiner* — Kevin K Rudzinski

*Assistant Examiner* — Clare Ann Gannon

(57) **CLAIM**

The ornamental design for a shower curtain counterweight assembly, as shown and described.

**DESCRIPTION**

FIG. 1 is a front elevation view of a shower curtain counterweight assembly, showing my new design;

FIG. 2 is a perspective view thereof, shown in a used condition;

FIG. 3 is an enlarged, front elevation view with the remainder of the shower curtain shown broken away for convenience of illustration;

FIG. 4 is an enlarged, left-side elevation view with the remainder of the shower curtain shown broken away for convenience of illustration, the enlarged right-side elevation view being a mirror image thereof; and,

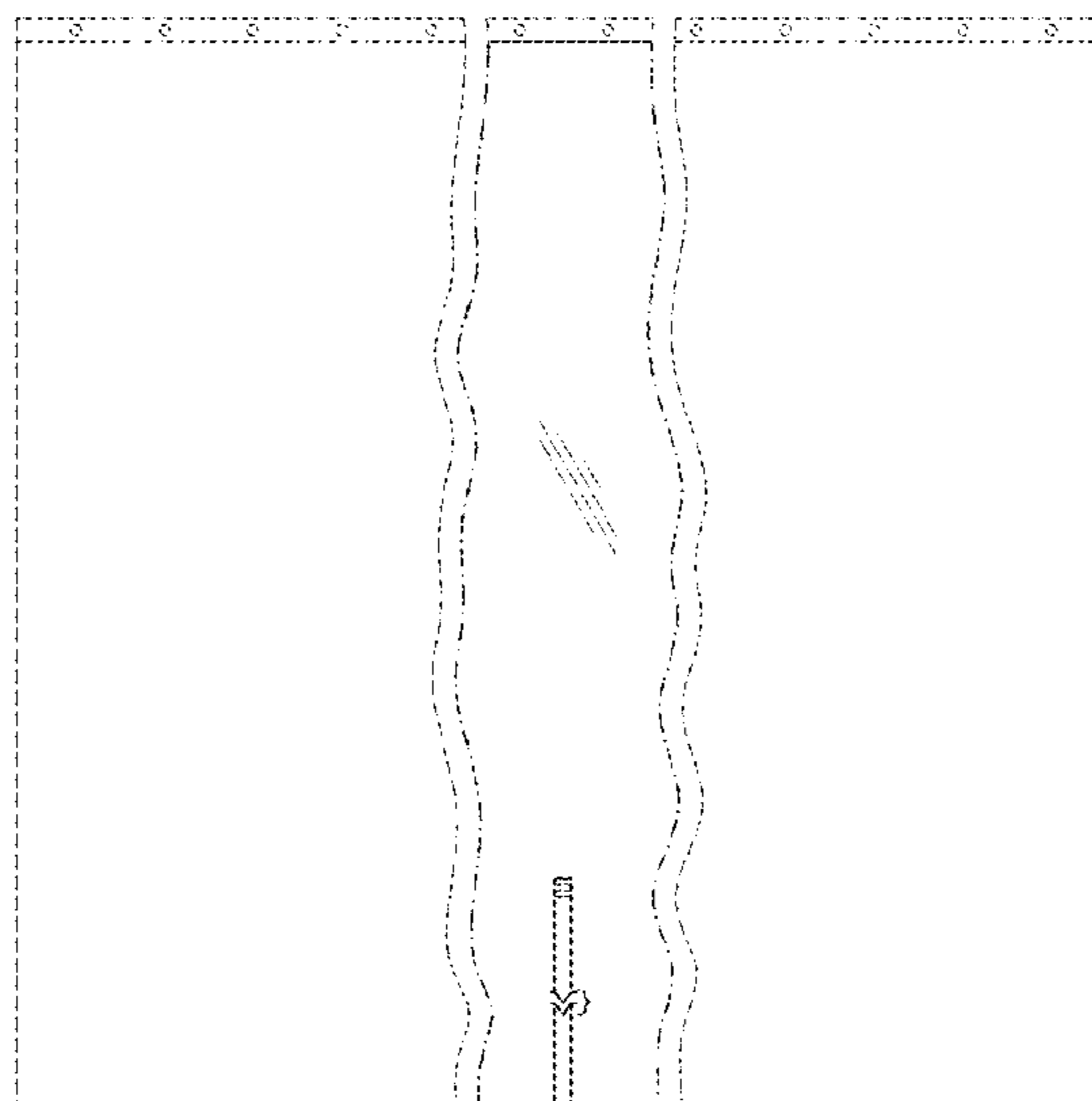
FIG. 5 is an enlarged detail view of the encircled area labeled "5" in FIG. 4.

The article is shown with break lines in their lengths. The appearance of any portion of the article between the break lines forms no part of the claimed design.

The equal sized dash-dash broken lines showing the bathtub, the faucet, showerhead, and the curtain rail and rail rings in FIG. 2 depict environmental subject matter that forms no part of the claimed design, while the remaining equal sized dash-dash broken lines shown in the drawings depict portions of the shower curtain counterweight assembly that form no part of the claimed design.

The uneven sized dot-dash-dot broken lines depict the bounds of the shower curtain counterweight assembly and form no part of the claimed design.

**1 Claim, 3 Drawing Sheets**



(58) **Field of Classification Search**  
 CPC ..... A47H 11/04; A47H 23/00; A47H 23/01;  
 A47H 23/10; A47H 5/032  
 See application file for complete search history.

D655,552 S 3/2012 Beyda  
 D655,553 S 3/2012 Beyda  
 D745,292 S \* 12/2015 Thomas ..... A47K 3/38  
 D6/579  
 D799,855 S \* 10/2017 Webb ..... A47K 3/38  
 D6/575  
 2003/0131405 A1 \* 7/2003 Greaves ..... A47K 3/38  
 4/558  
 2006/0085904 A1 4/2006 Tsvok  
 2011/0126349 A1 \* 6/2011 Betzen ..... A47K 3/38  
 4/609  
 2012/0227179 A1 9/2012 Beyda  
 2016/0249760 A1 \* 9/2016 Stibich ..... A47H 23/08  
 160/124

(56) **References Cited**

U.S. PATENT DOCUMENTS

2,173,993 A 9/1939 Amdur  
 2,840,155 A \* 6/1958 Stern ..... A47H 13/00  
 160/124  
 3,224,495 A \* 12/1965 Truesdale ..... A47H 23/01  
 160/349.1  
 3,382,507 A 5/1968 Micheau  
 4,088,174 A 5/1978 Edwards  
 4,723,326 A 2/1988 Tarlow et al.  
 5,007,120 A 4/1991 Annand  
 5,097,541 A 3/1992 Annand  
 5,228,149 A 7/1993 Phinn, Jr.  
 5,421,393 A \* 6/1995 Wolfe ..... A47K 3/38  
 160/349.1  
 D362,147 S \* 9/1995 Voccia ..... D6/575  
 6,041,454 A 3/2000 Summerford  
 6,550,525 B1 \* 4/2003 Grisolia ..... A47H 23/01  
 160/349.1  
 6,996,862 B1 2/2006 Shippy et al.

OTHER PUBLICATIONS

Chinese Notice of Allowance dated Jan. 14, 2020, for Chinese Application No. 201930549260.8, pp. 1-4.  
 Chinese Office Action dated Jul. 21, 2020, for Chinese Application No. 201930550499.7, pp. 1-3.  
 Chinese Office Action dated Sep. 21, 2020, for Chinese Application No. 201930549260.8, pp. 1-4.  
 Chinese Office Action dated May 31, 2020, for Chinese Application No. 201930551699.4, pp. 1-2.

\* cited by examiner

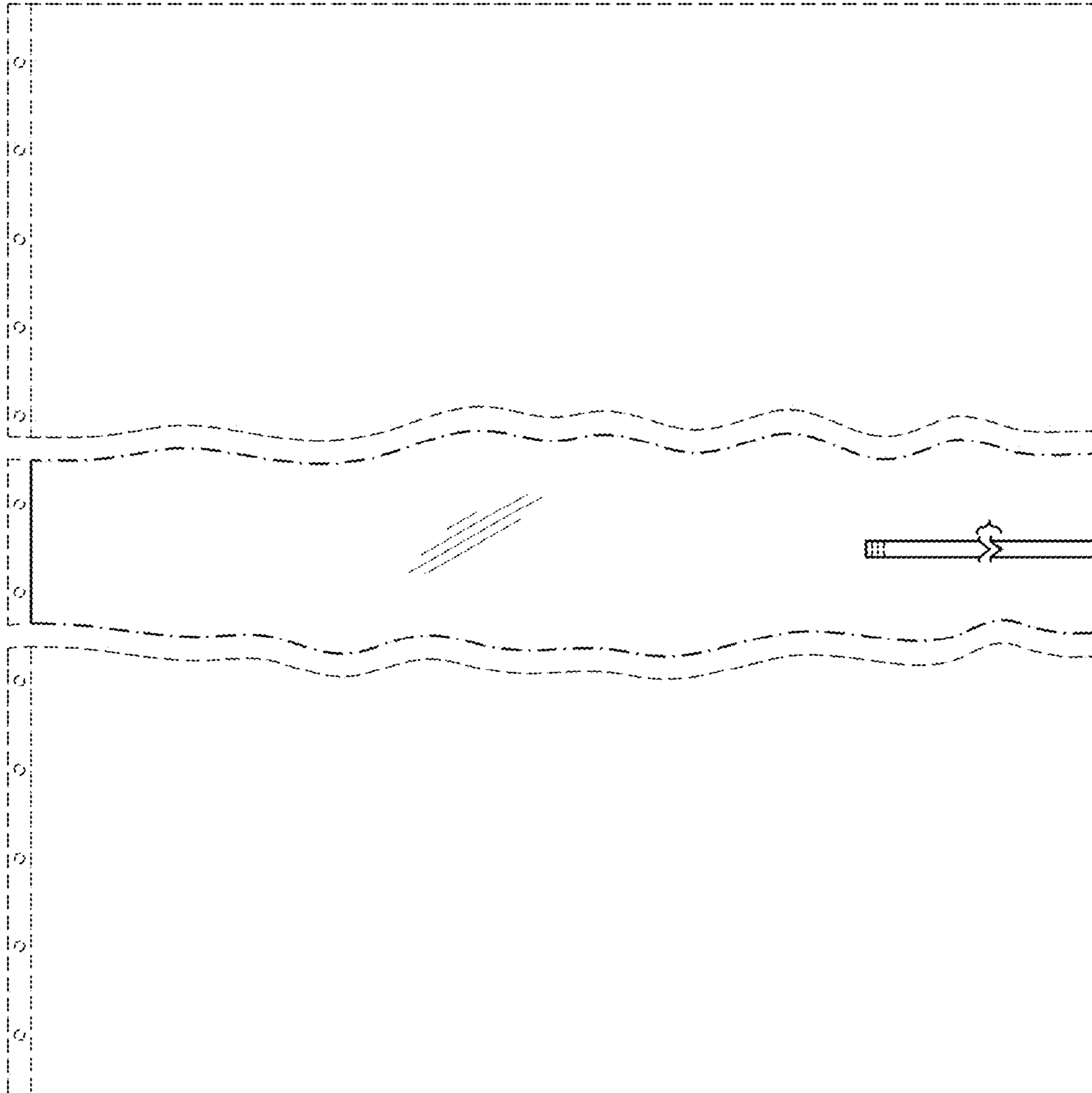


FIG. 1

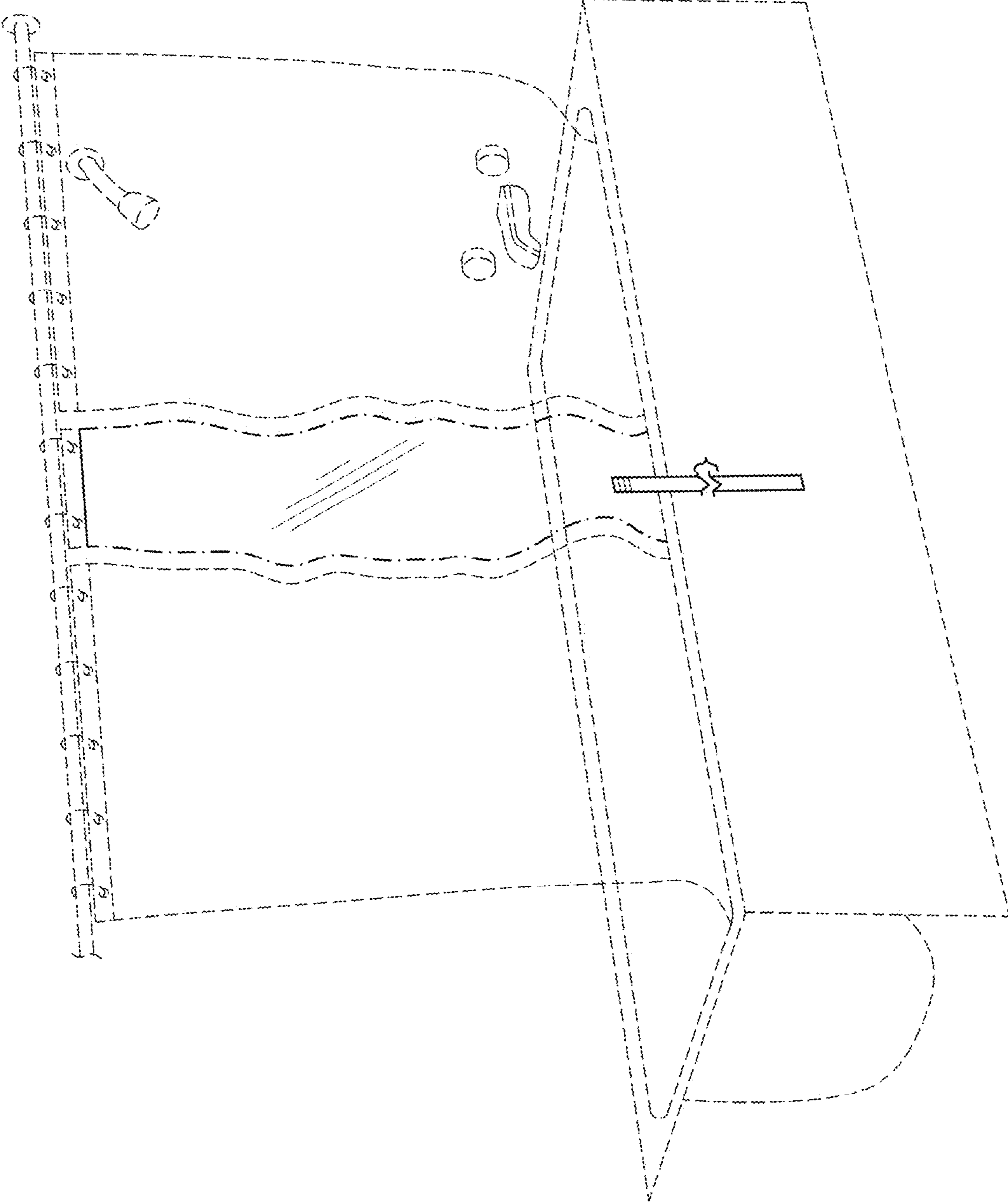


FIG. 2

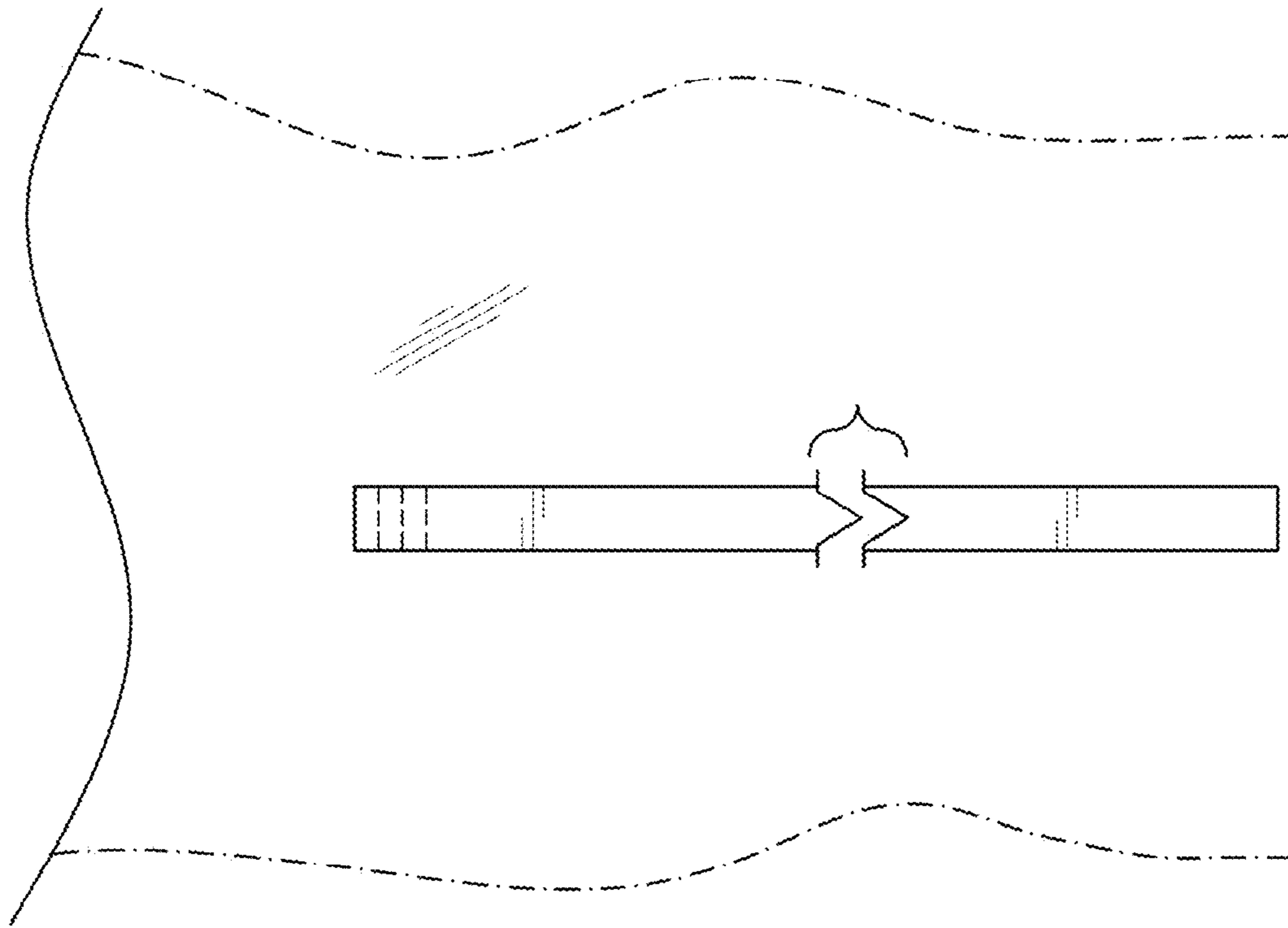


FIG. 3

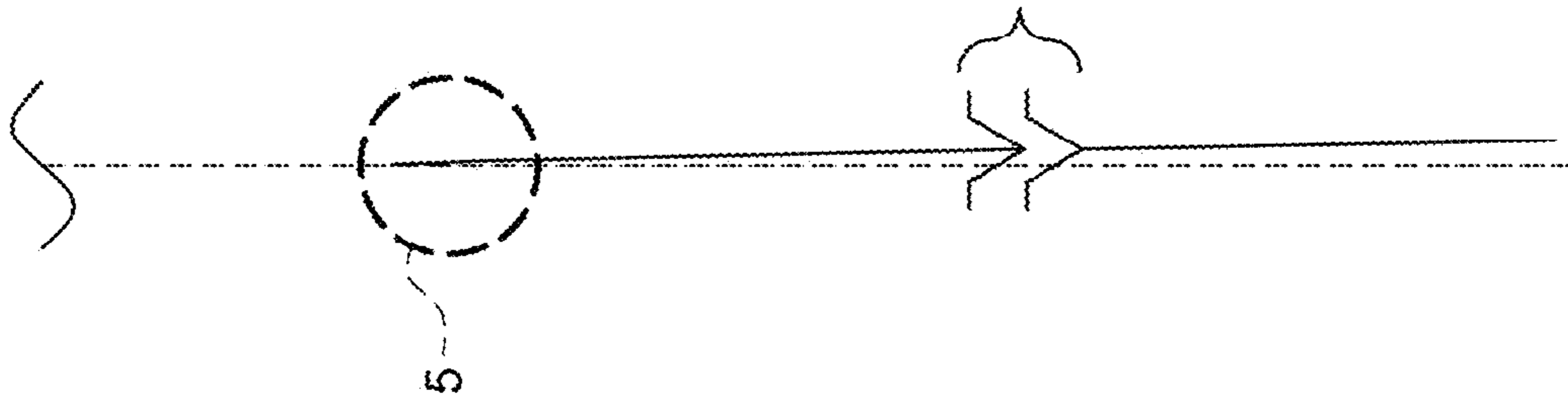


FIG. 4

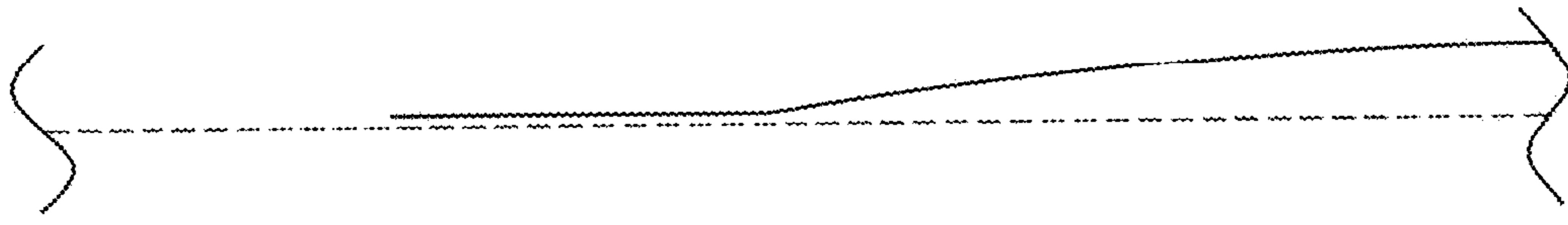


FIG. 5