



US00D980644S

(12) **United States Design Patent** (10) **Patent No.:** **US D980,644 S**
Lien (45) **Date of Patent:** **** Mar. 14, 2023**

(54) **TISSUE HOLDER**
(71) Applicant: **NINGBO CHSIRGA METAL PRODUCTS CO., LTD.**, Yuyao (CN)
(72) Inventor: **Ricky Lien**, Yilan (TW)
(73) Assignee: **NINGBO CHSIRGA METAL PRODUCTS CO., LTD.**, Yuyao (CN)

D486,681 S * 2/2004 Hoernig D6/523
D518,985 S * 4/2006 Yang D6/521
D532,228 S * 11/2006 Snell D6/522
D608,123 S 1/2010 Koury
D853,747 S 7/2019 Bahler
D859,029 S * 9/2019 Mariano D6/522
D930,387 S * 9/2021 Liang D6/522
D951,673 S * 5/2022 Liu D6/522
D965,337 S * 10/2022 Zhou D6/522
D967,647 S * 10/2022 Zheng D6/522

(**) Term: **15 Years**
(21) Appl. No.: **29/846,312**
(22) Filed: **Jul. 15, 2022**

Related U.S. Application Data

(63) Continuation-in-part of application No. 29/749,532, filed on Sep. 7, 2020, now abandoned.
(51) **LOC (14) Cl.** **23-08**
(52) **U.S. Cl.**
USPC **D6/522**
(58) **Field of Classification Search**
USPC D6/512, 513, 515, 518, 521, 522, 523, D6/524, 546, 547, 548, 549, 550, 553, D6/675.2, 566, 567; D8/315, 316, 319, D8/320; D23/303, 304; 211/16, 88.04, 211/105.1, 6, 45, 89.01, 100; 248/251, 248/309.1
CPC A47B 47/0058; A47B 96/027
See application file for complete search history.

(56) **References Cited**

U.S. PATENT DOCUMENTS

777,981 A * 12/1904 Sterling 411/338
3,370,805 A * 2/1968 Barbee A47K 10/3836
248/309.2
D390,392 S * 2/1998 Odom D6/519
D398,466 S * 9/1998 Odom D6/521
D439,779 S * 4/2001 Wu D6/523
D486,333 S * 2/2004 Hoernig D6/521

OTHER PUBLICATIONS

One Handed Tear Wall Mounted & Under Counter Paper Towel Holder. Dear Household (online) 14 pgs. Available Nov. 29, 2021. [Retrieved Oct. 6, 2022] <https://www.amazon.com/Dp/B09MR41FKJ> (Year: 2021).*
Perfect Tear Patented Wall Mount Paper Towel Holder. Kamenstein (online) 12 pgs. Available Apr. 1, 2009. [Retrieved Oct. 6, 2022] <https://www.amazon.com/dp/B0024AKCTS> (Year: 2009).*

* cited by examiner

Primary Examiner — Marie D. Fast Horse
Assistant Examiner — Jennifer Sierra Yosinski
(74) *Attorney, Agent, or Firm* — Georgi Korobanov

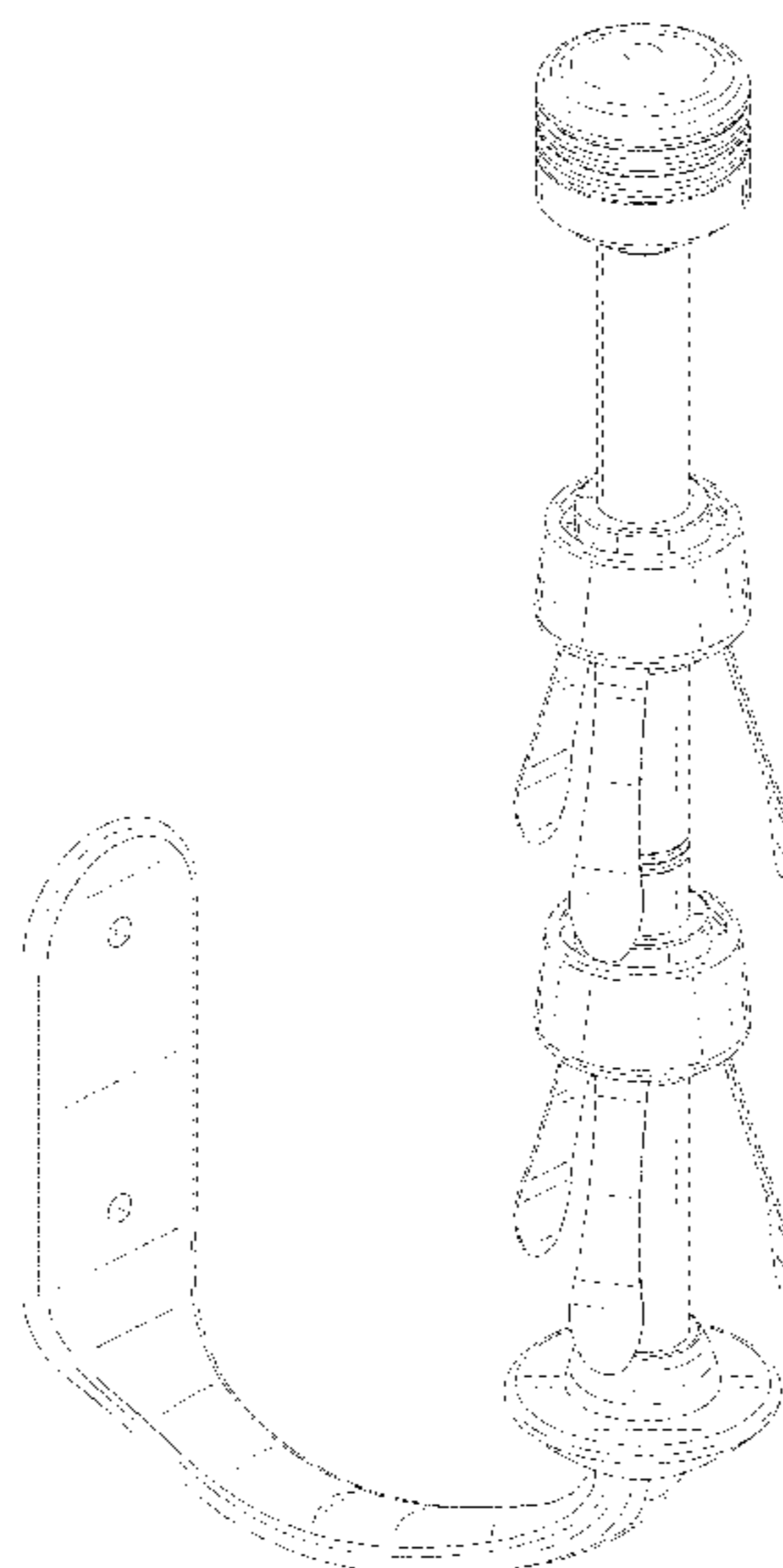
(57) **CLAIM**

The ornamental design for a tissue holder, as shown and described.

DESCRIPTION

FIG. 1 is a perspective view of a tissue holder, showing my new design;
FIG. 2 is another perspective view thereof;
FIG. 3 is a front view thereof;
FIG. 4 is a rear view thereof;
FIG. 5 is a left side view thereof;
FIG. 6 is a right side view thereof;
FIG. 7 is a top plan view thereof; and,
FIG. 8 is a bottom plan view thereof.

1 Claim, 8 Drawing Sheets



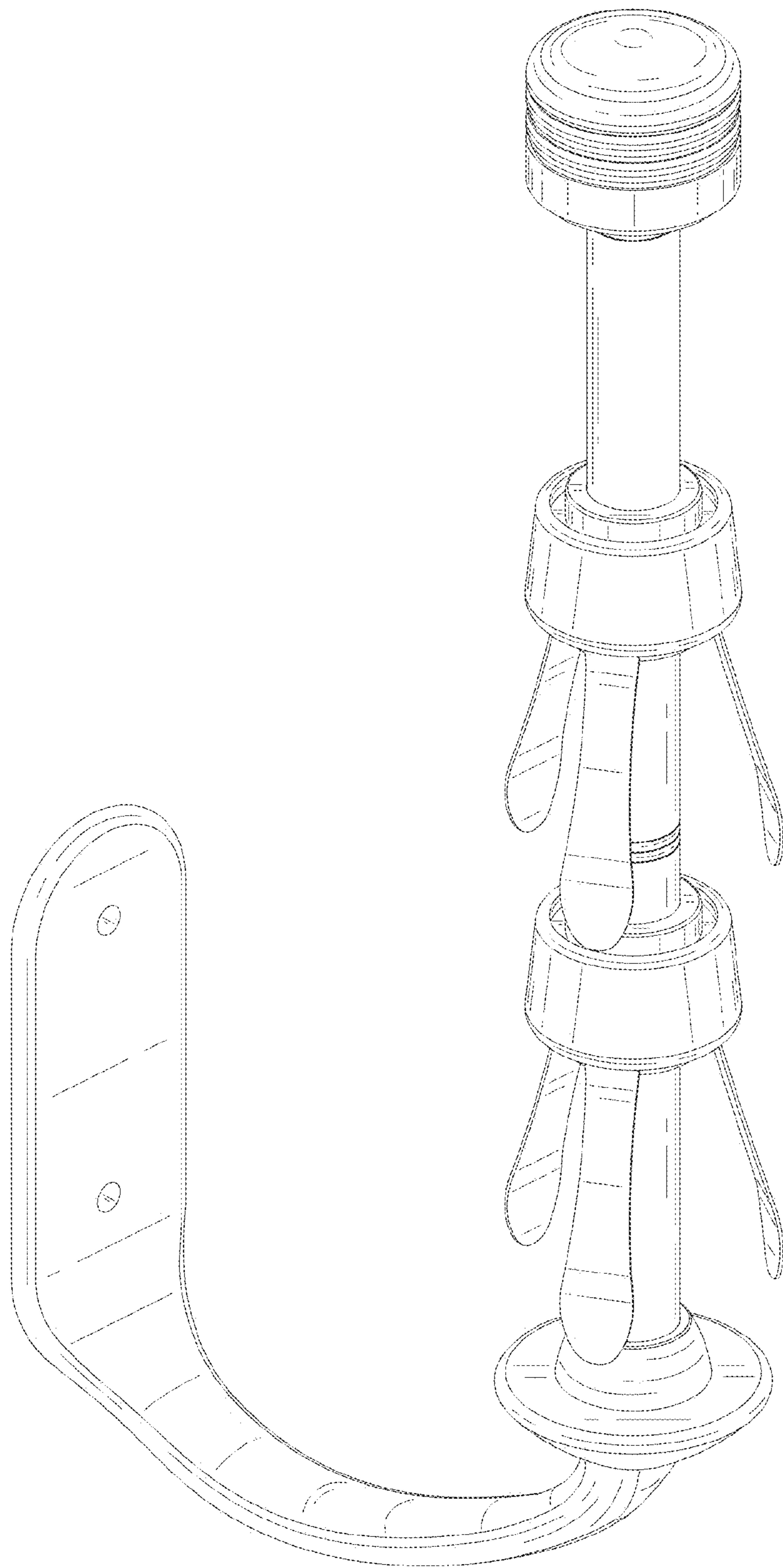


FIG. 1

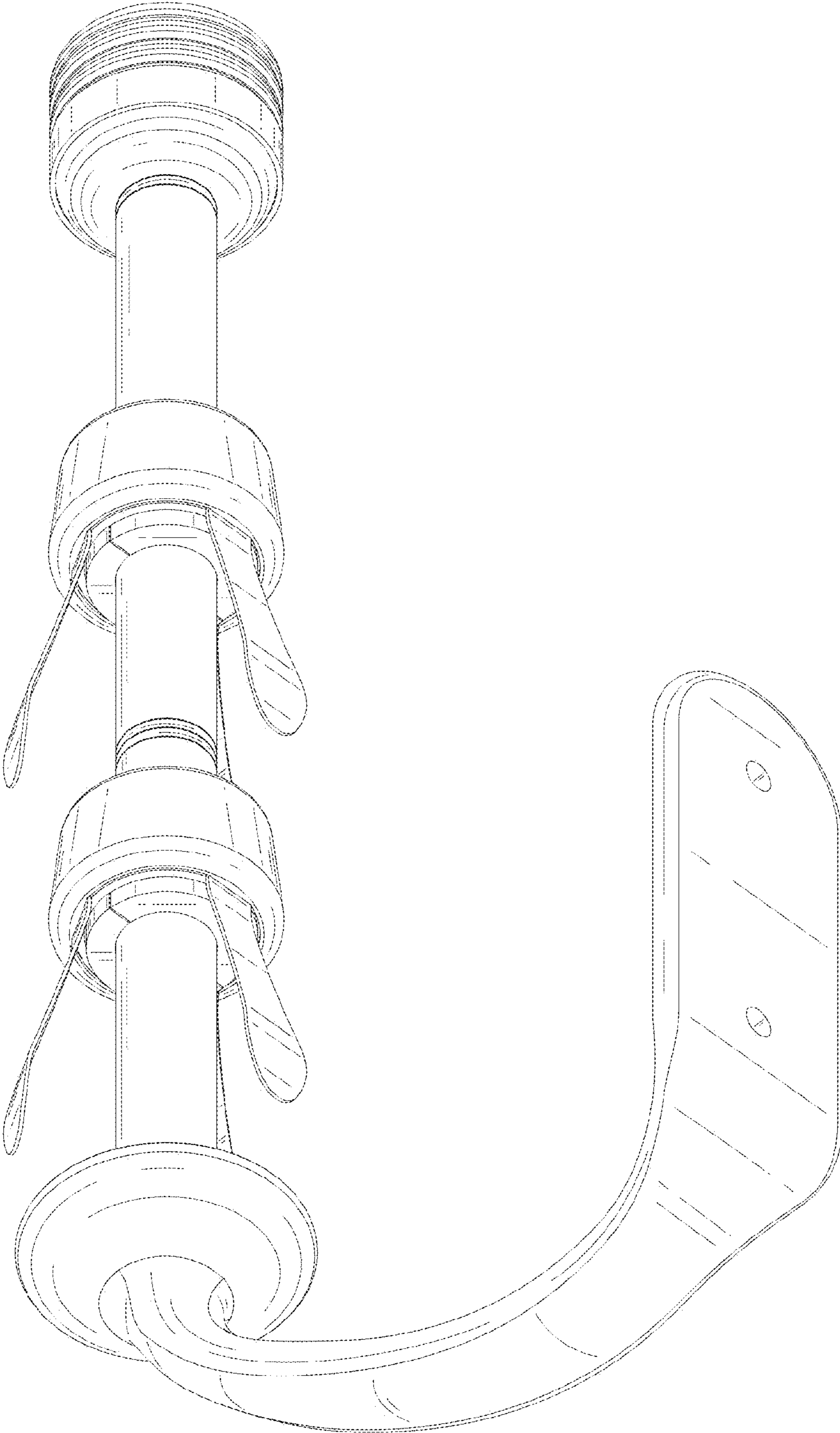


FIG. 2

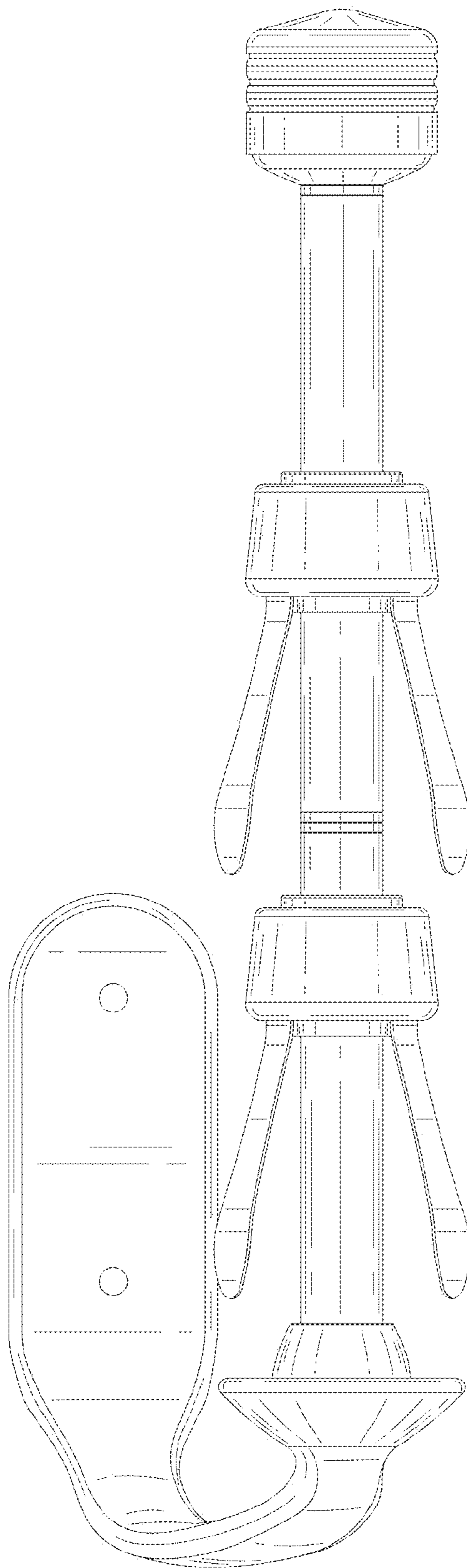


FIG. 3

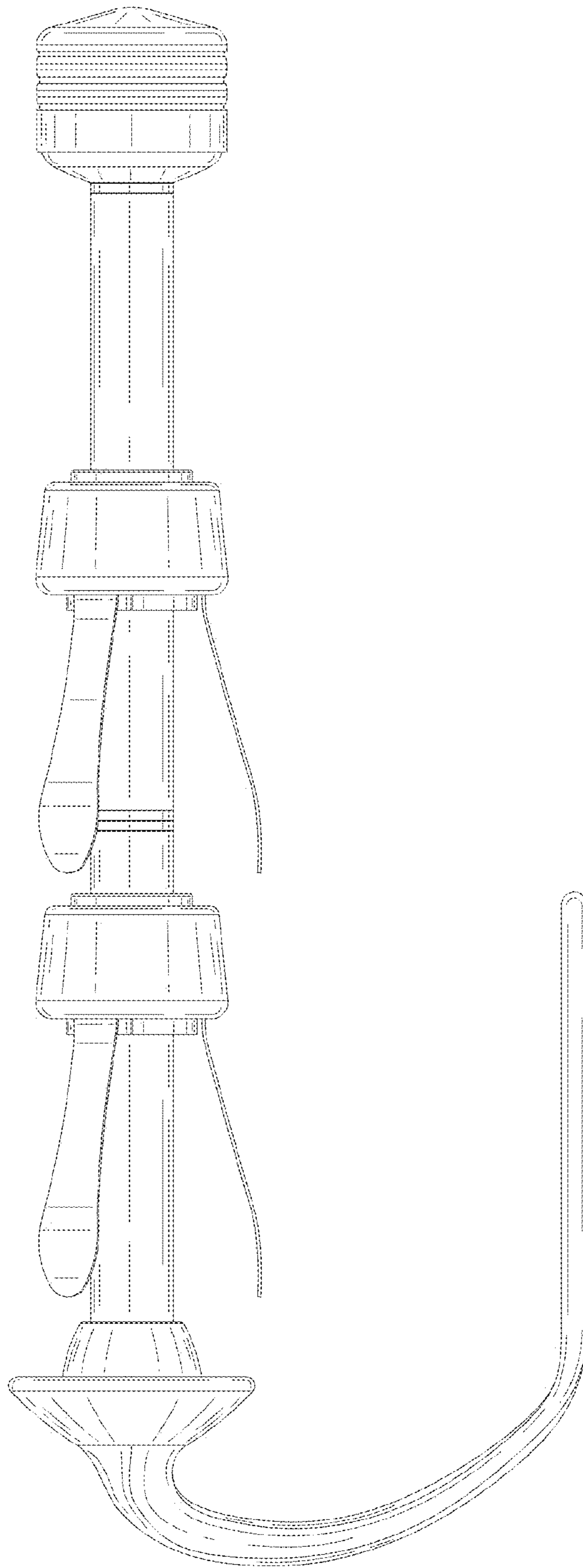


FIG. 4

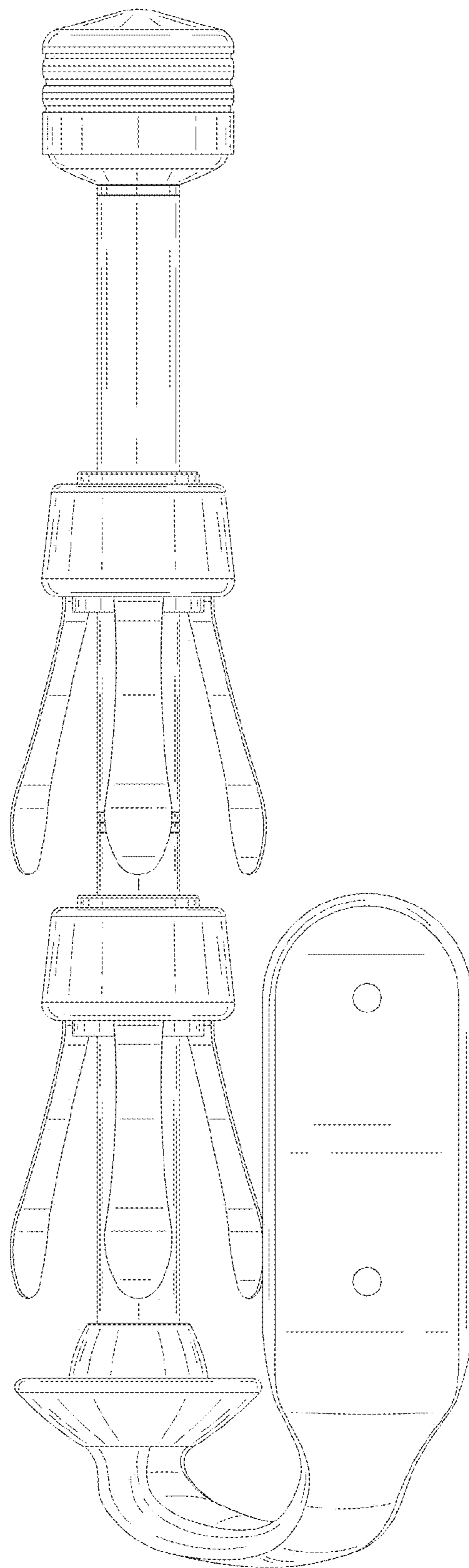


FIG. 5

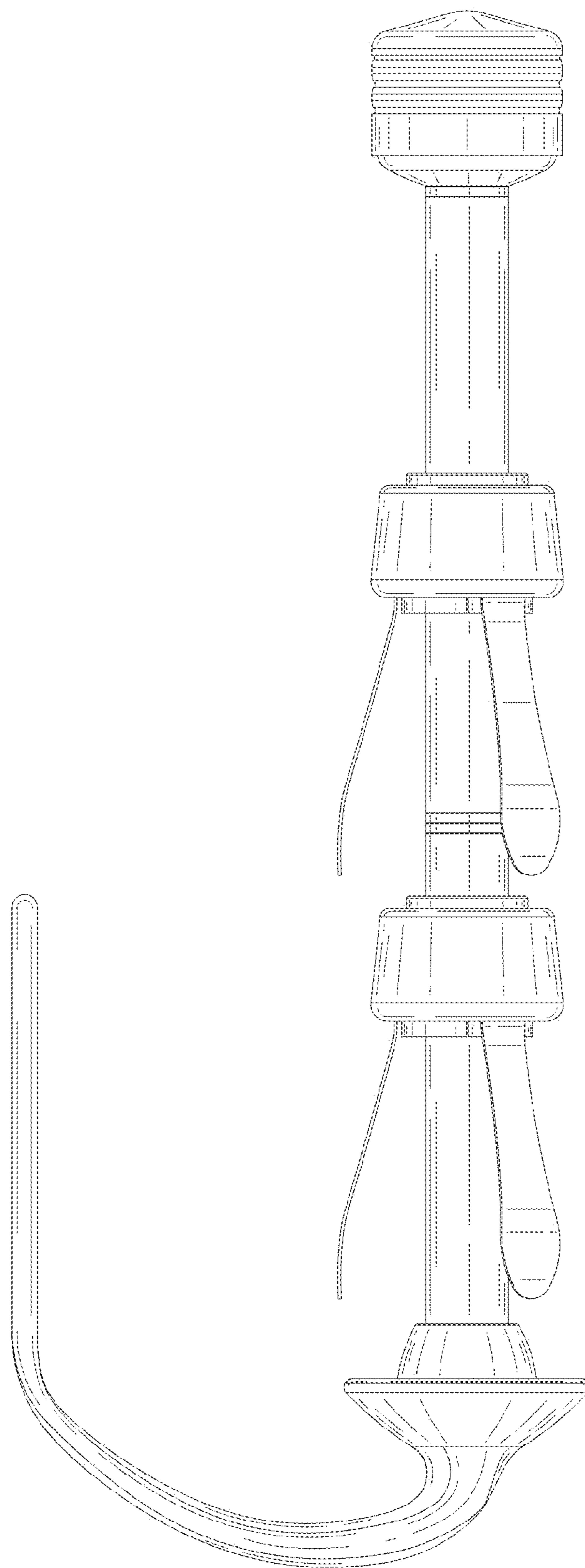


FIG. 6

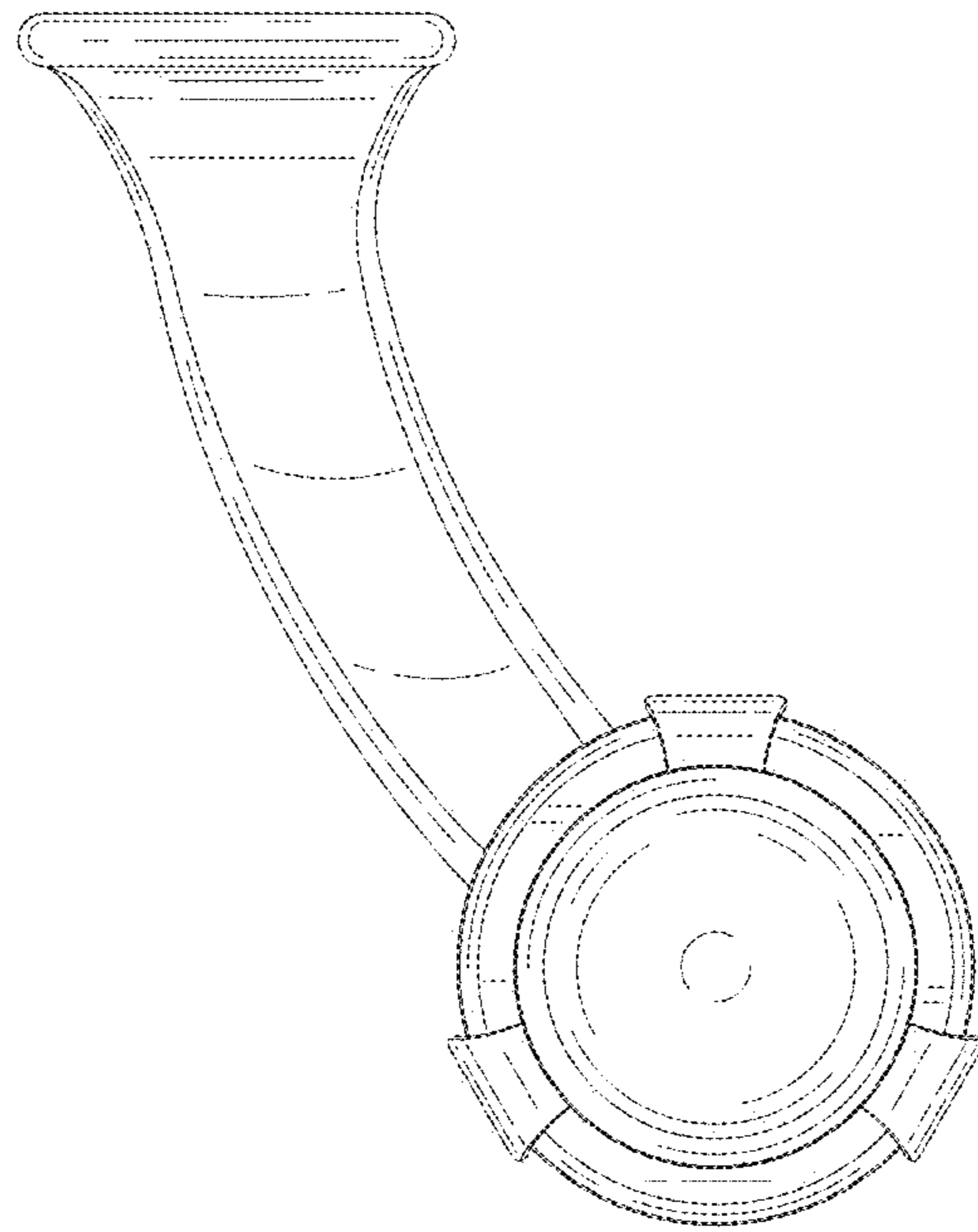


FIG. 7

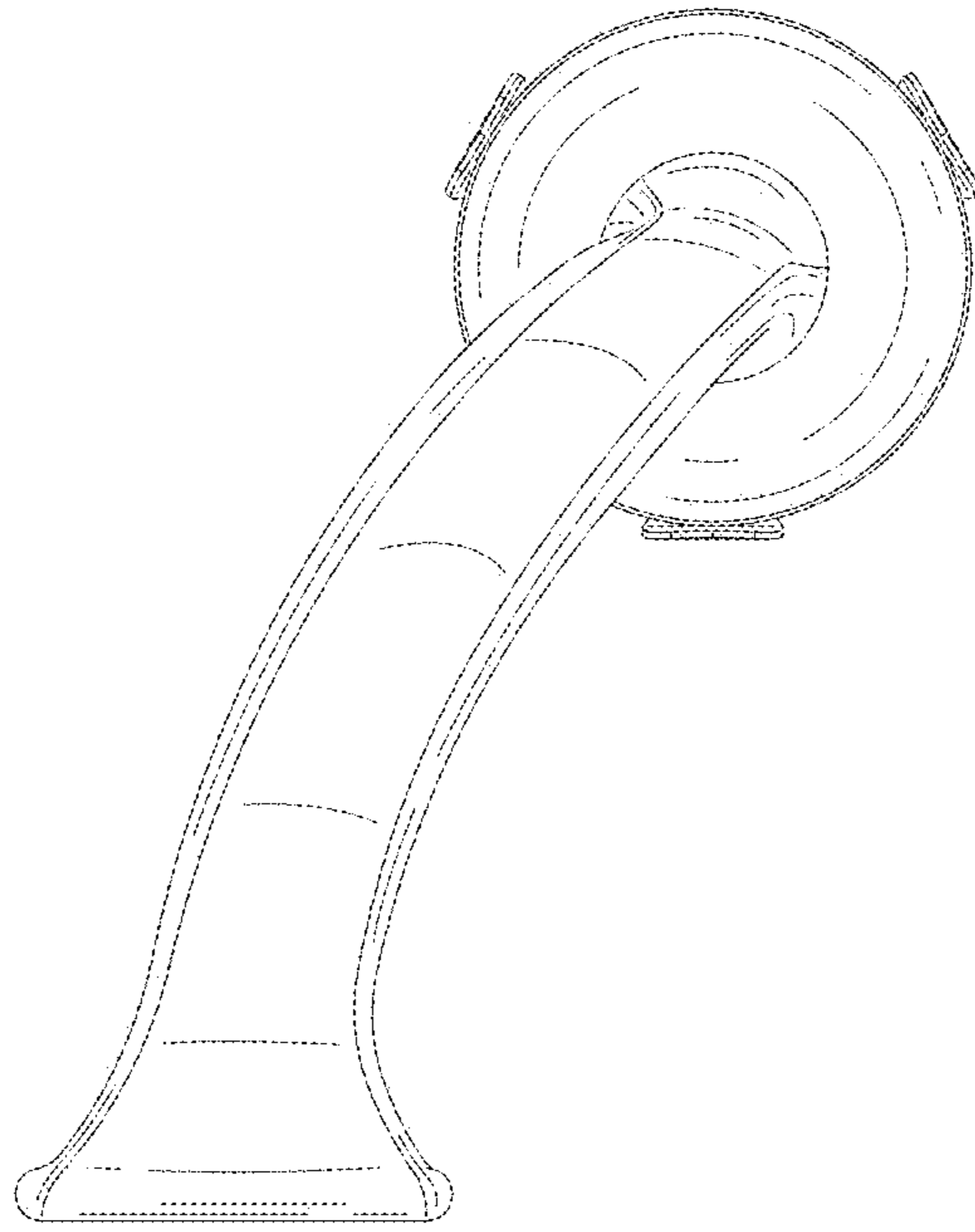


FIG. 8