



US00D980643S

(12) **United States Design Patent**  
**Xu et al.**

(10) **Patent No.:** **US D980,643 S**  
(45) **Date of Patent:** **\*\* Mar. 14, 2023**

- (54) **PAPER TOWEL DISPENSER**
- (71) Applicant: **Medline Industries, LP**, Northfield, IL (US)
- (72) Inventors: **Xin Xu**, Ningbo (CN); **Paige Wexler**, Highland Park, IL (US); **Derek Roberts**, Boston, MA (US); **Tamara L. Dick**, Fox Lake, IL (US); **Megan Henken**, Lake Villa, IL (US)
- (73) Assignee: **Medline Industries, LP**, Northfield, IL (US)
- (\*\*) Term: **15 Years**
- (21) Appl. No.: **29/758,743**
- (22) Filed: **Nov. 18, 2020**

D354,871 S \* 1/1995 Frazier ..... D6/522  
 5,950,863 A 9/1999 Schutz  
 D426,412 S \* 6/2000 Cameron ..... D6/522  
 (Continued)

**FOREIGN PATENT DOCUMENTS**

WO 2011038016 A2 3/2011  
*Primary Examiner* — Nathan M Johnston  
 (74) *Attorney, Agent, or Firm* — Fitch, Even, Tabin & Flannery LLP

(57) **CLAIM**

The ornamental design for a paper towel dispenser, as shown and described.

**DESCRIPTION**

FIG. 1 is a top, front perspective view of a paper towel dispenser in accordance with our new design, shown in a closed position;  
 FIG. 2 is a front elevation view thereof;  
 FIG. 3 is a rear elevation view thereof;  
 FIG. 4 is a left side elevation view thereof;  
 FIG. 5 is a right side elevation view thereof;  
 FIG. 6 is a top plan view thereof;  
 FIG. 7 is a bottom plan view thereof;  
 FIG. 8 is a top, front perspective view thereof in an exploded, open position;  
 FIG. 9 is a front elevation view thereof in an exploded, open position;  
 FIG. 10 is a rear elevation view thereof in an exploded, open position;  
 FIG. 11 is a left side elevation view thereof in an exploded, open position;  
 FIG. 12 is a right side elevation view thereof in an exploded, open position;  
 FIG. 13 is a top plan view thereof; and,  
 FIG. 14 is a bottom plan view thereof.  
 The broken lines shown in the figures represent portions of the paper towel dispenser that form no part of the claimed design.

**Related U.S. Application Data**

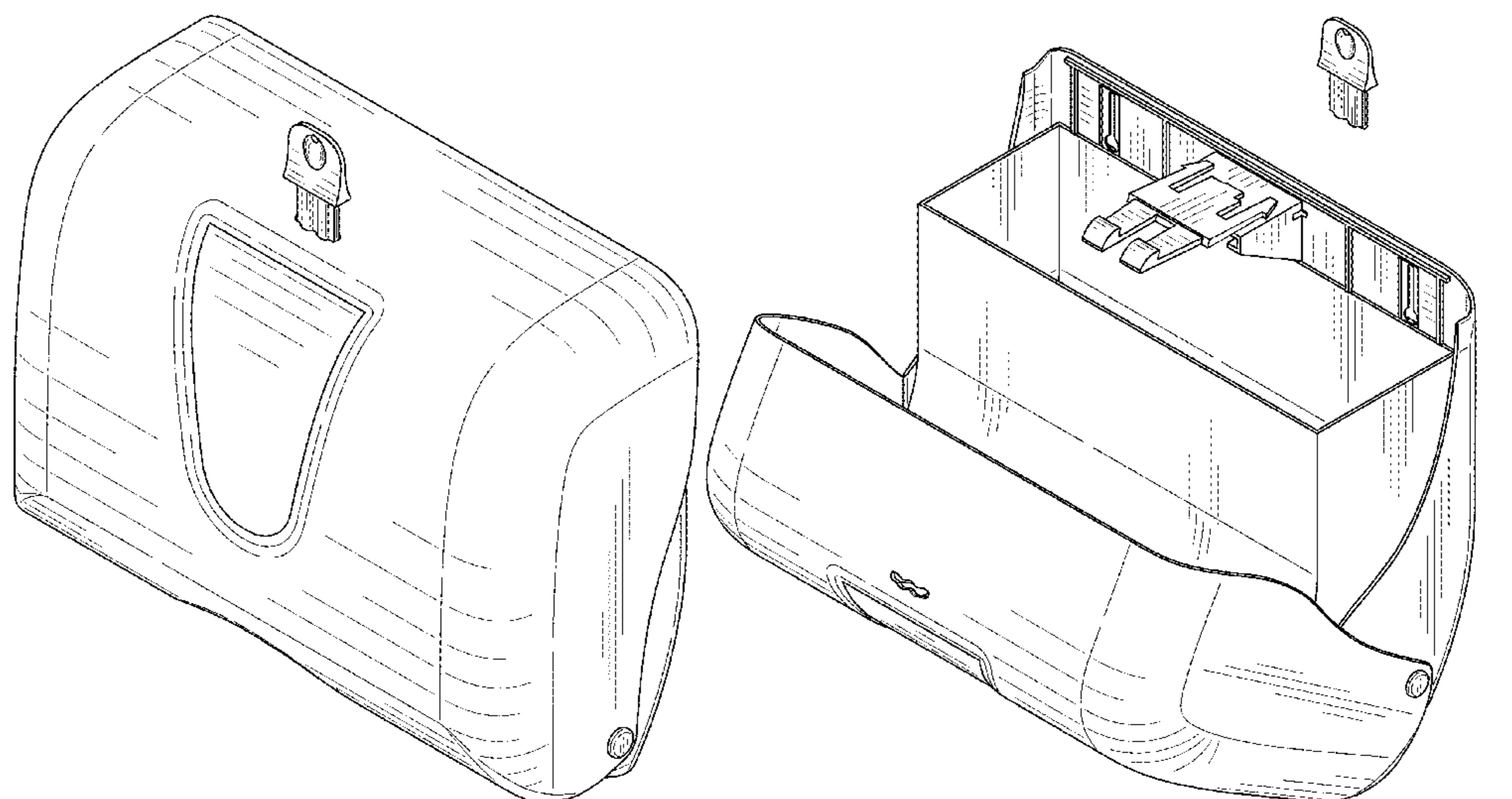
- (62) Division of application No. 29/680,652, filed on Feb. 19, 2019, now Pat. No. Des. 920,001.
- (51) **LOC (14) Cl.** ..... **20-02**
- (52) **U.S. Cl.**  
USPC ..... **D6/522**
- (58) **Field of Classification Search**  
USPC ..... D6/518, 520, 522, 523; D3/201; 206/389, 391, 407, 409; 211/16, 85.5, 211/59.2; 221/92, 97, 185, 282, 284; 242/59, 159, 160.2, 550, 560, 563, 564.2, 242/590, 588, 589, 589.3, 594  
CPC ..... A47K 10/3836; A47K 2010/3253; A47K 10/38; Y10T 225/282; Y10T 225/237  
See application file for complete search history.

(56) **References Cited**

**U.S. PATENT DOCUMENTS**

5,102,007 A 4/1992 Petterson  
 D341,970 S \* 12/1993 Brandenburg ..... D6/522

**1 Claim, 11 Drawing Sheets**



(56)

**References Cited**

U.S. PATENT DOCUMENTS

D440,088	S	*	4/2001	Leines	.....	D6/522
D441,231	S	*	5/2001	Purcell	.....	D6/522
6,230,929	B1		5/2001	Phelps		
6,315,155	B1		11/2001	Hubanks		
D461,983	S		8/2002	Omdoll		
6,543,641	B2		4/2003	Hubanks		
D525,465	S		7/2006	Omdoll		
D568,655	S	*	5/2008	Friesen	.....	D6/518
D624,340	S	*	9/2010	Benedetti	.....	D6/522
D648,585	S	*	11/2011	Meyerhoffer	.....	D6/518
D657,984	S	*	4/2012	Hansen	.....	D6/523
D665,206	S		8/2012	Beaver		
D889,161	S	*	7/2020	Skinner	.....	D6/518
2005/0077419	A1	*	4/2005	Thomas	.....	A47K 10/3625 242/563
2012/0267387	A1		10/2012	Omdoll		

\* cited by examiner

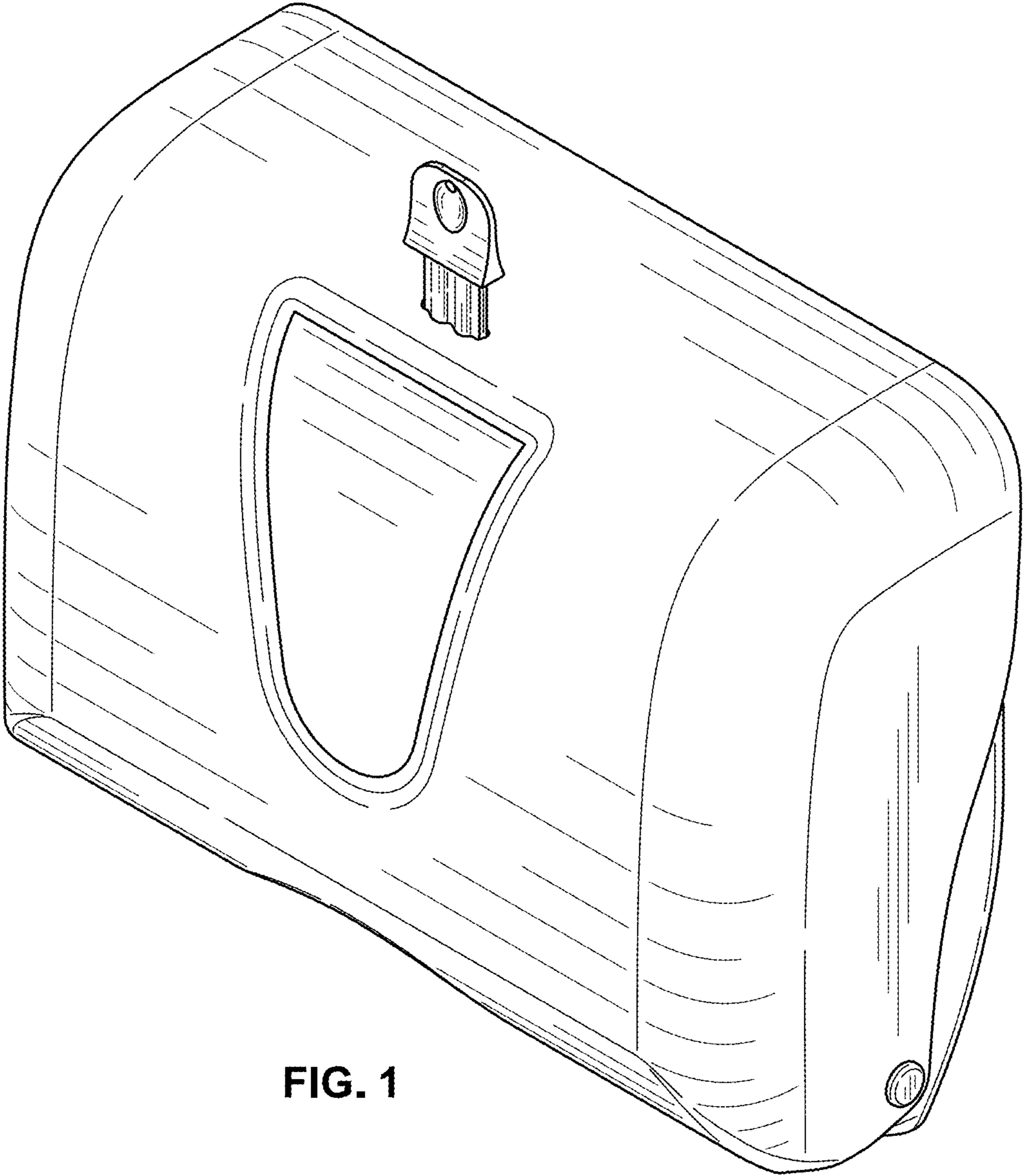


FIG. 1

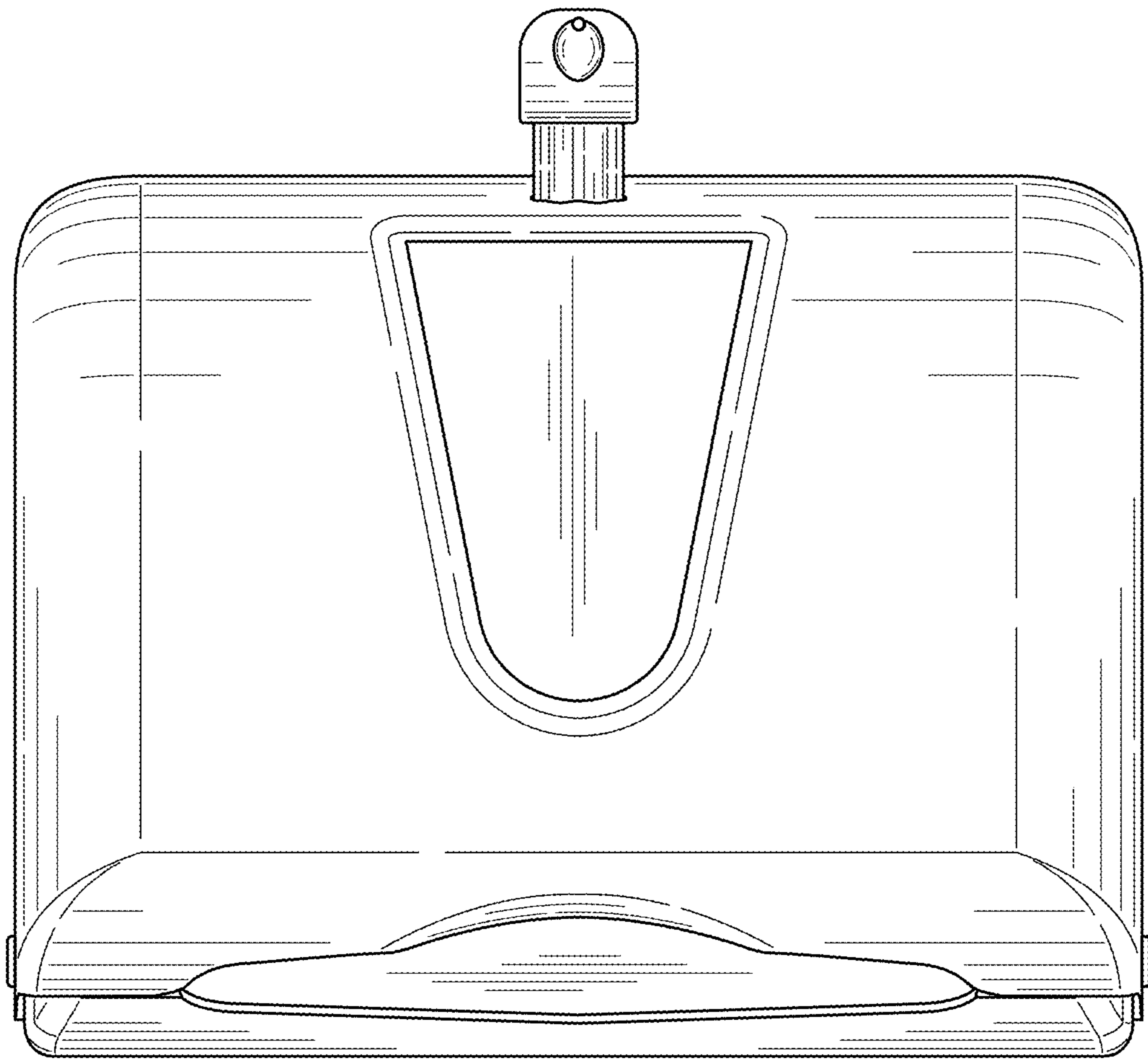


FIG. 2

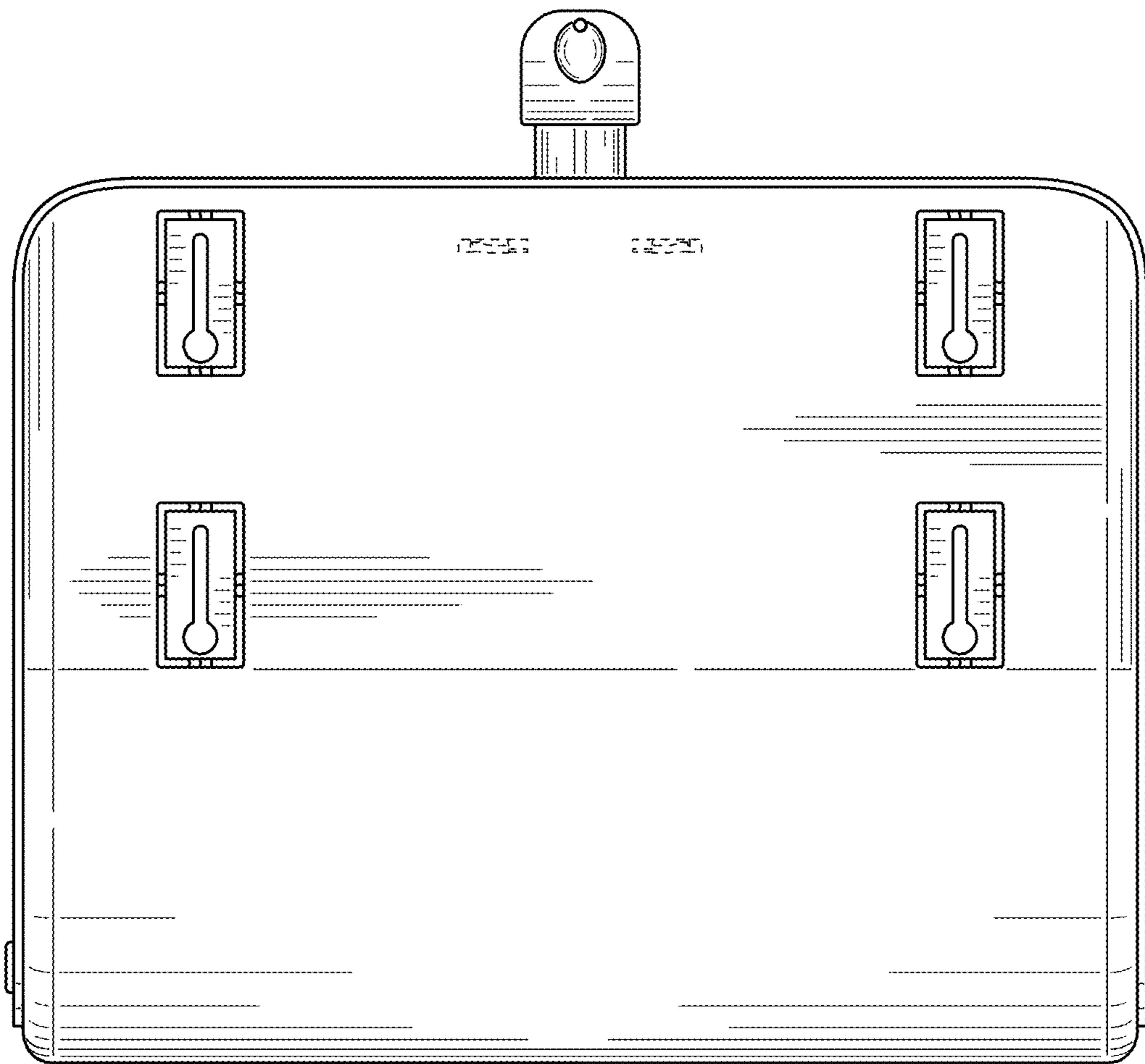


FIG. 3



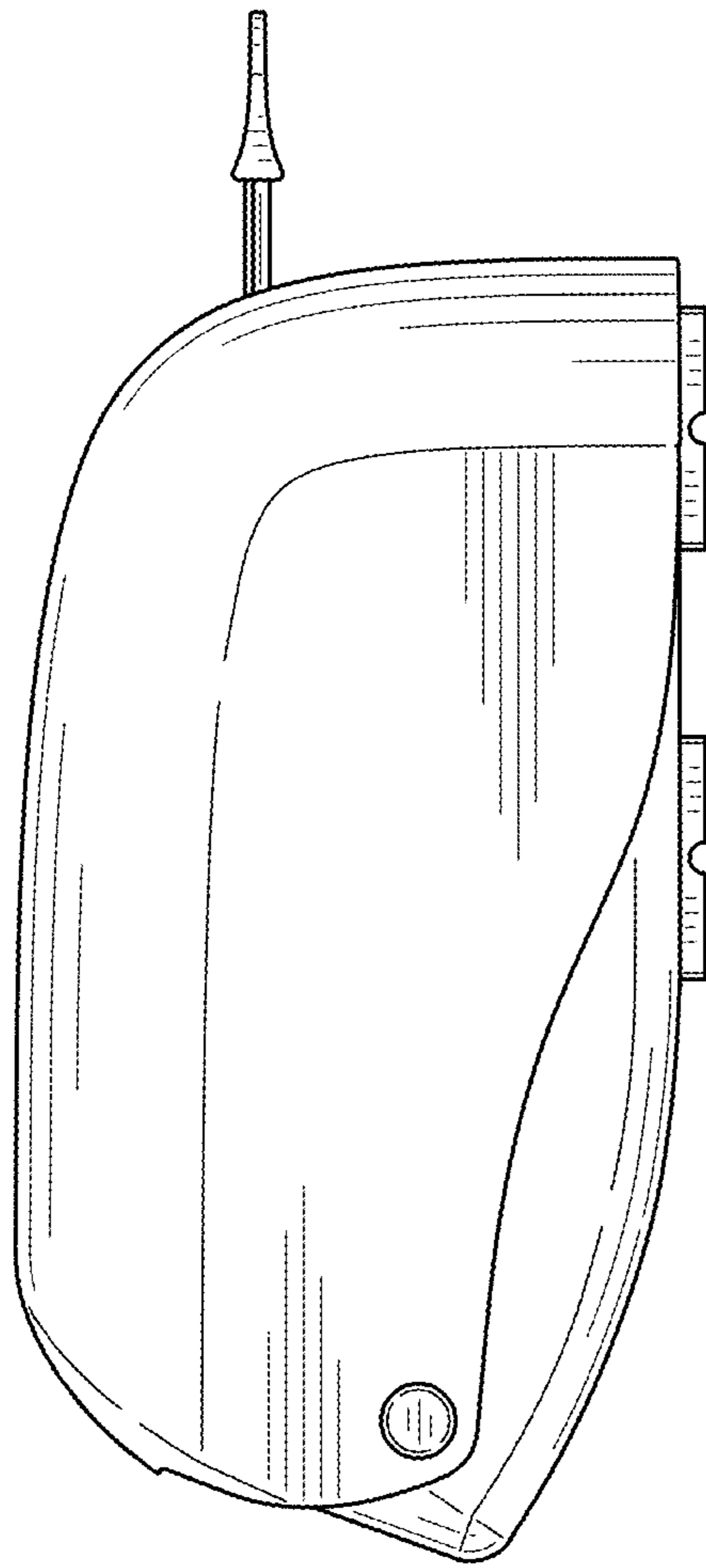


FIG. 4

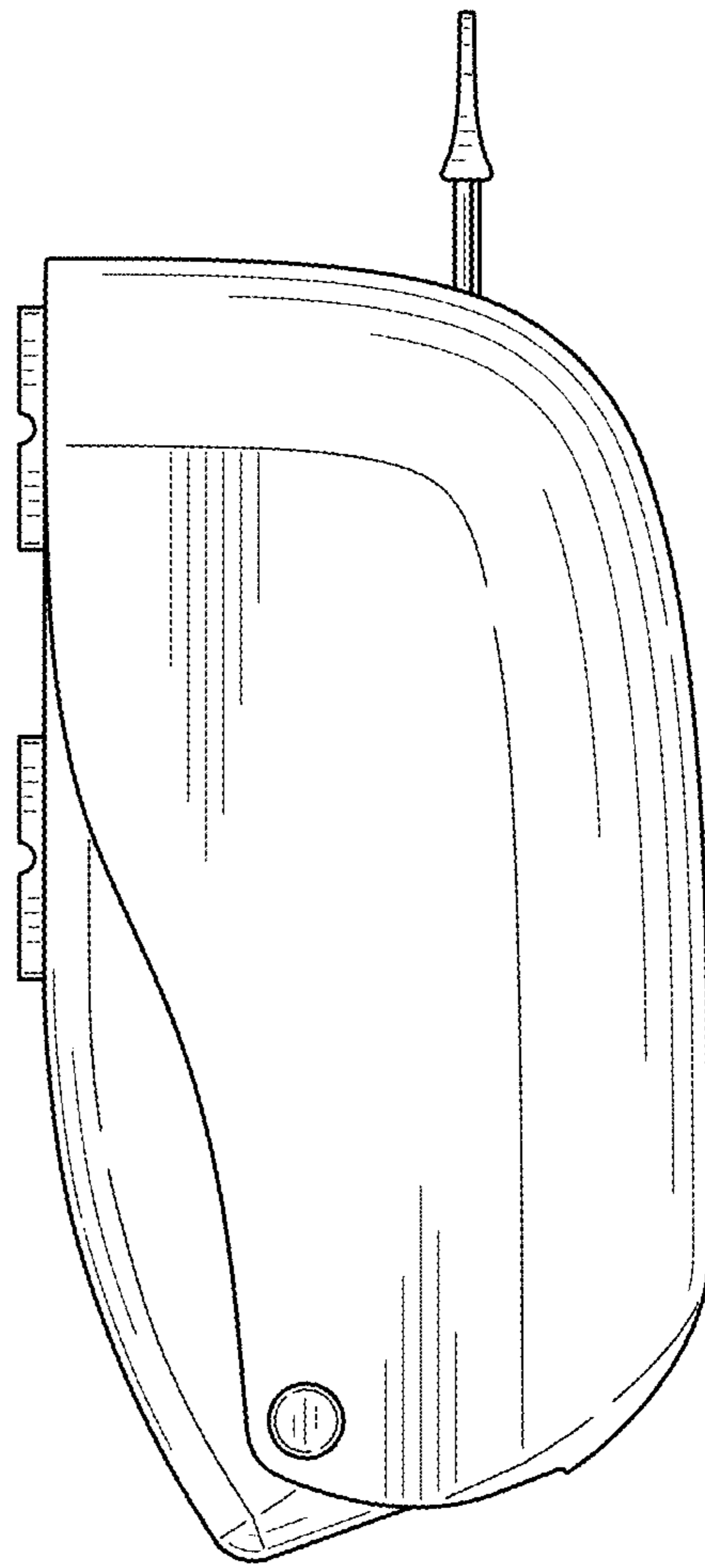


FIG. 5

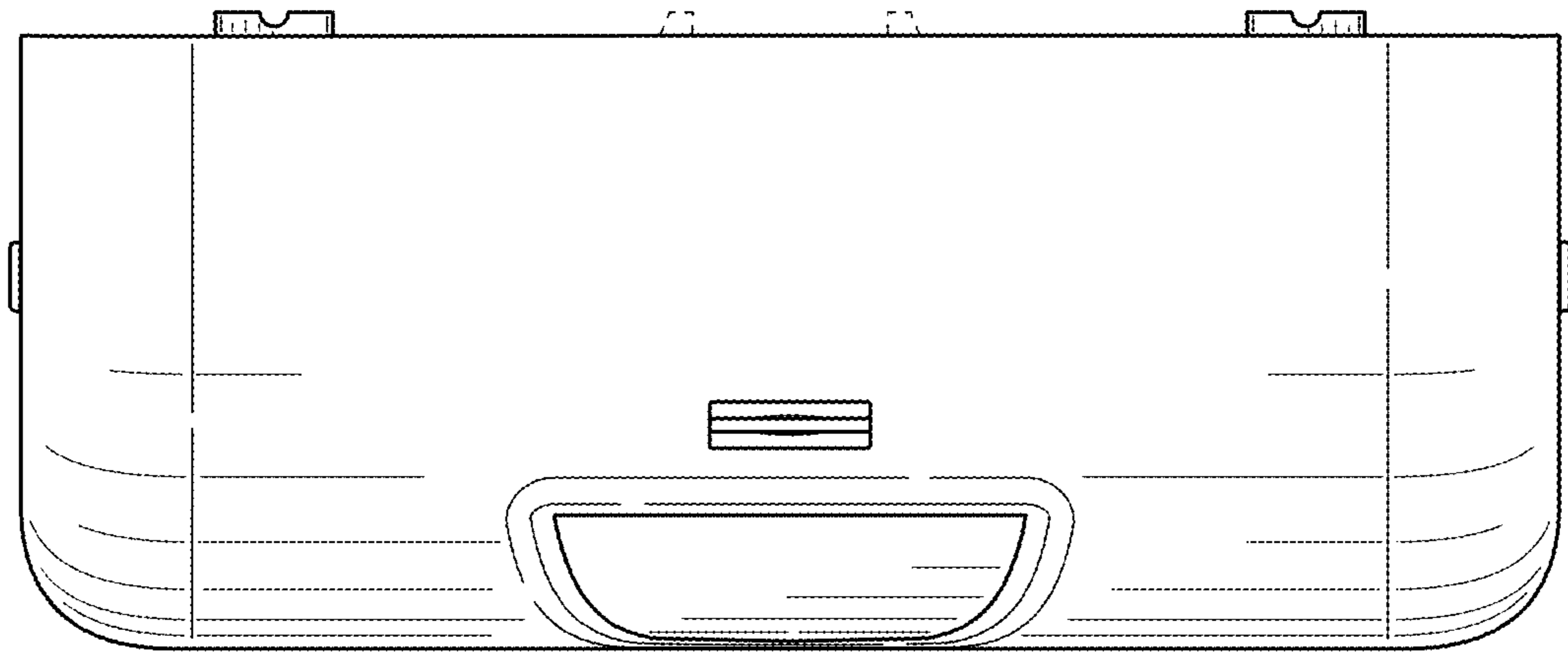


FIG. 6

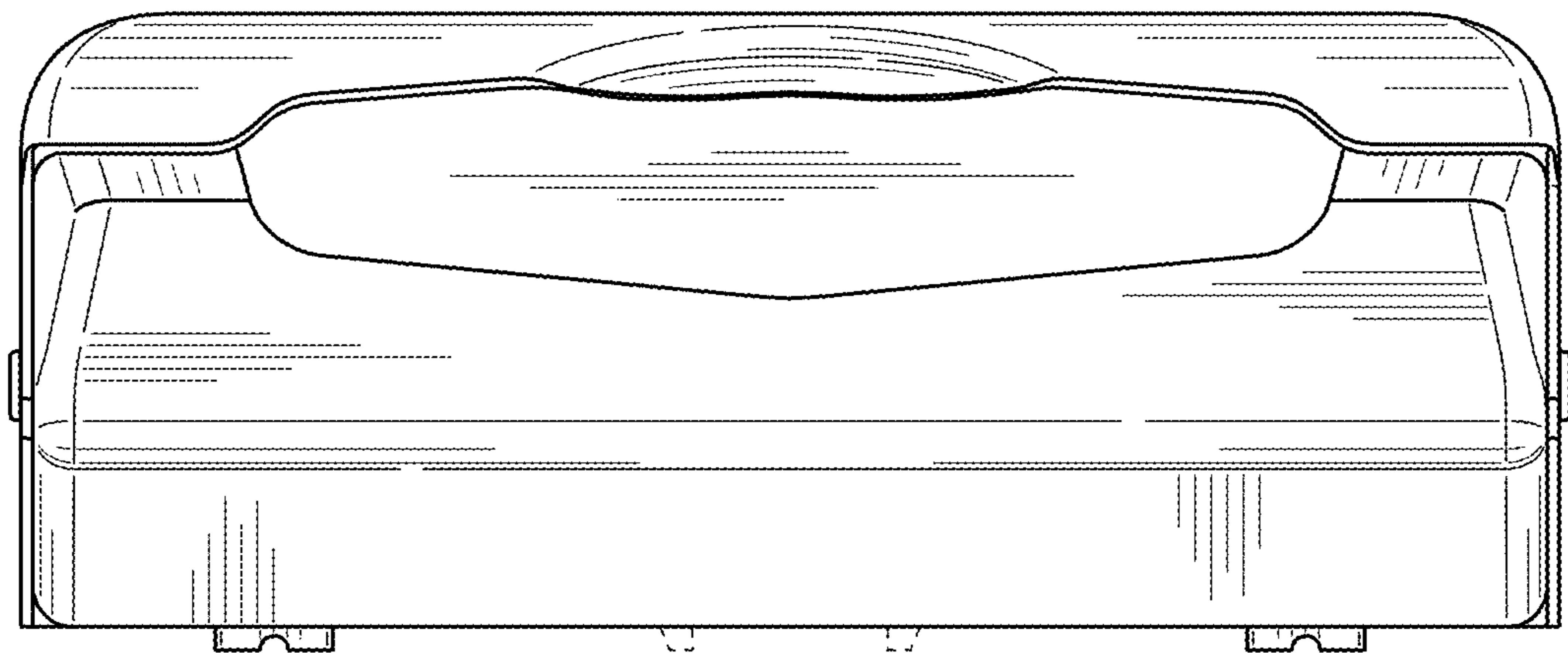


FIG. 7

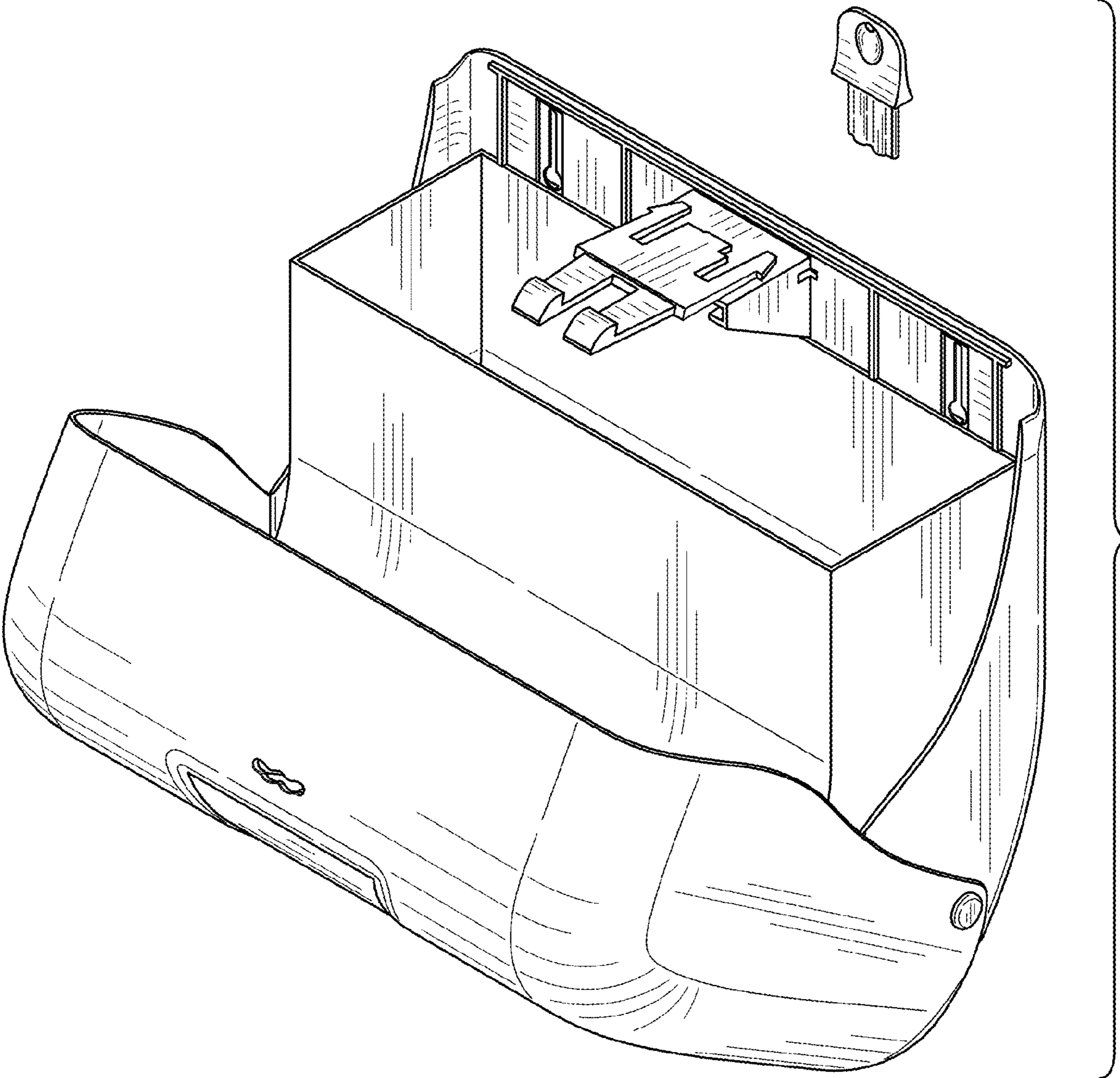


FIG. 8



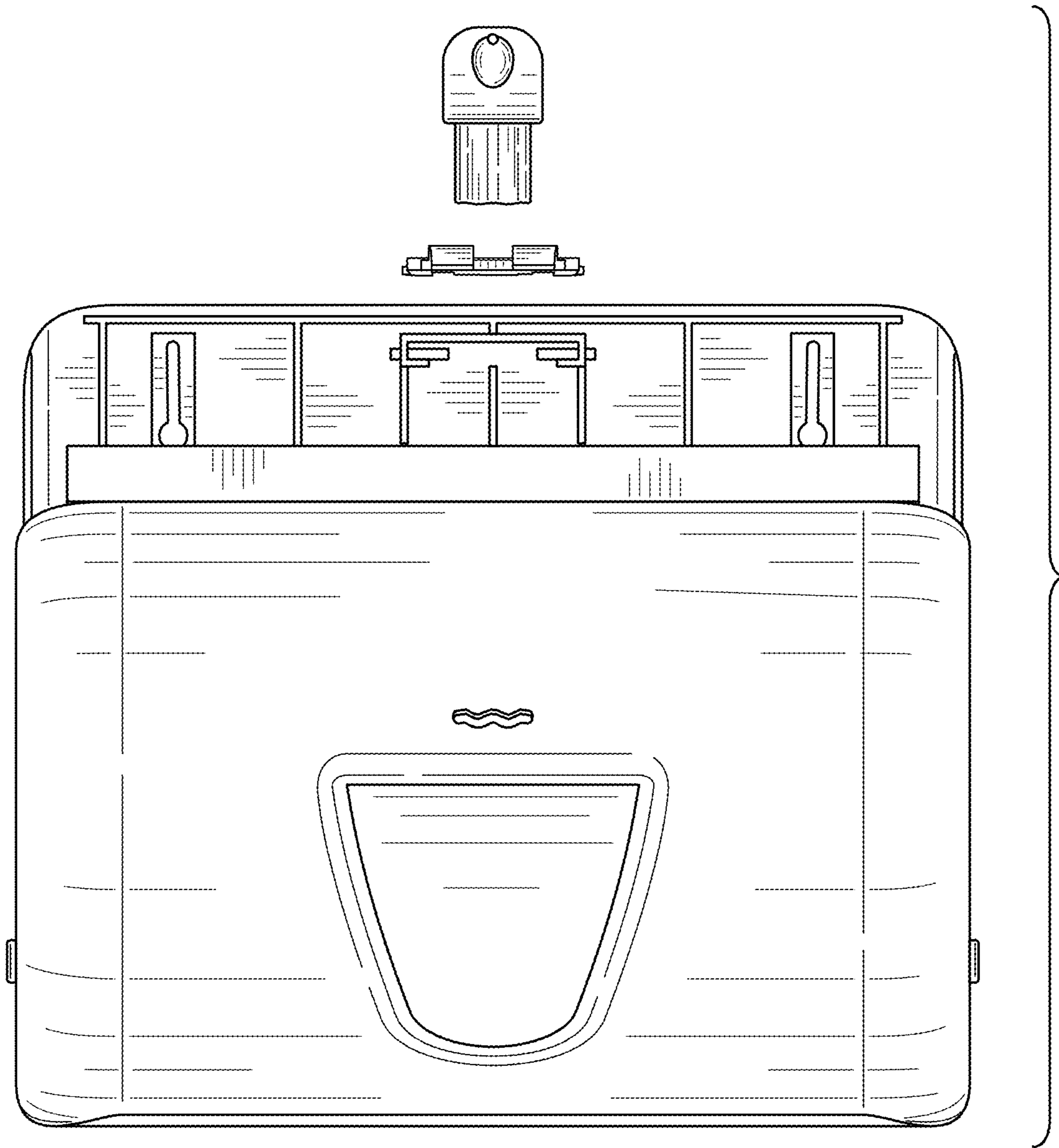


FIG. 9

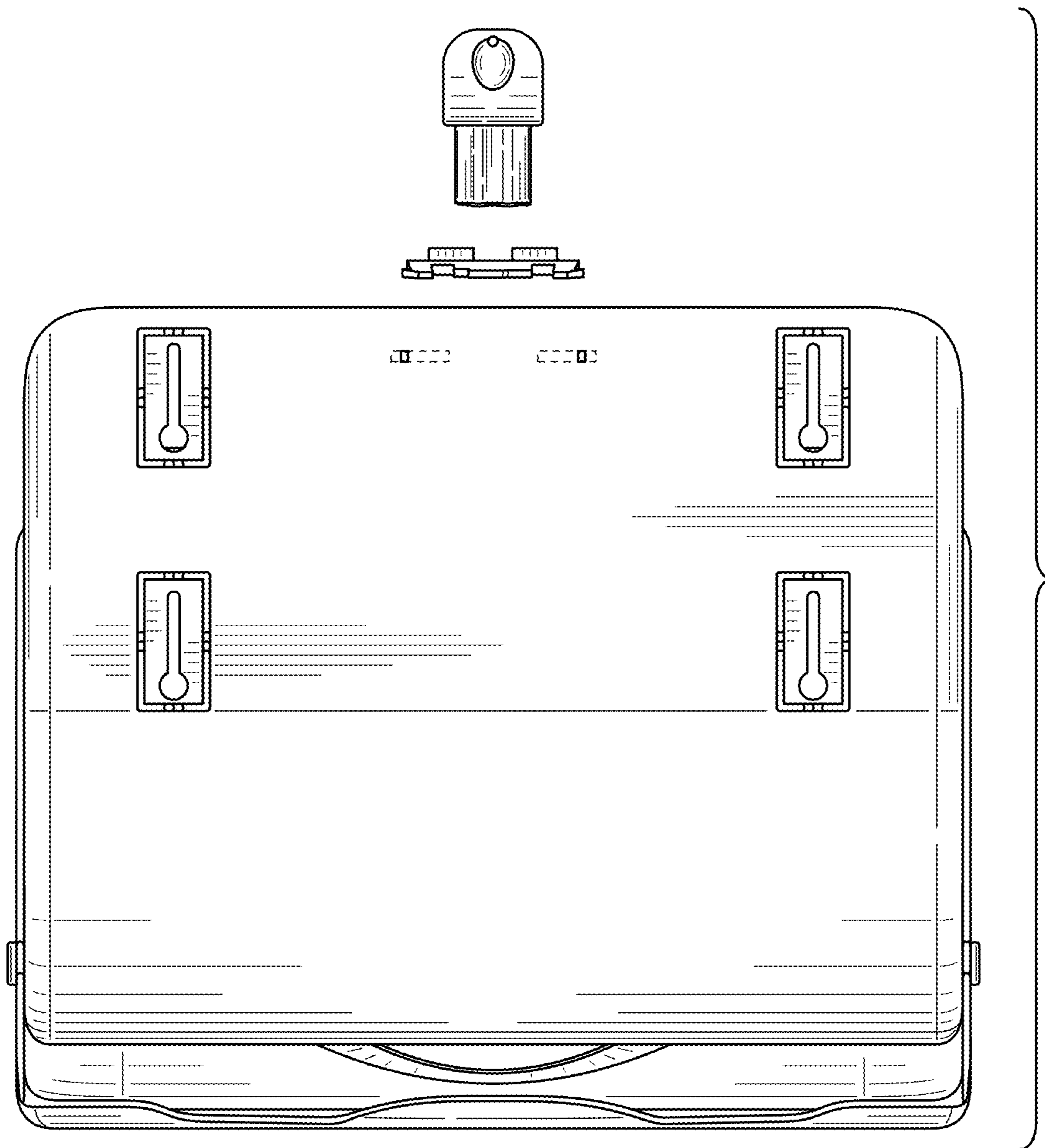


FIG. 10

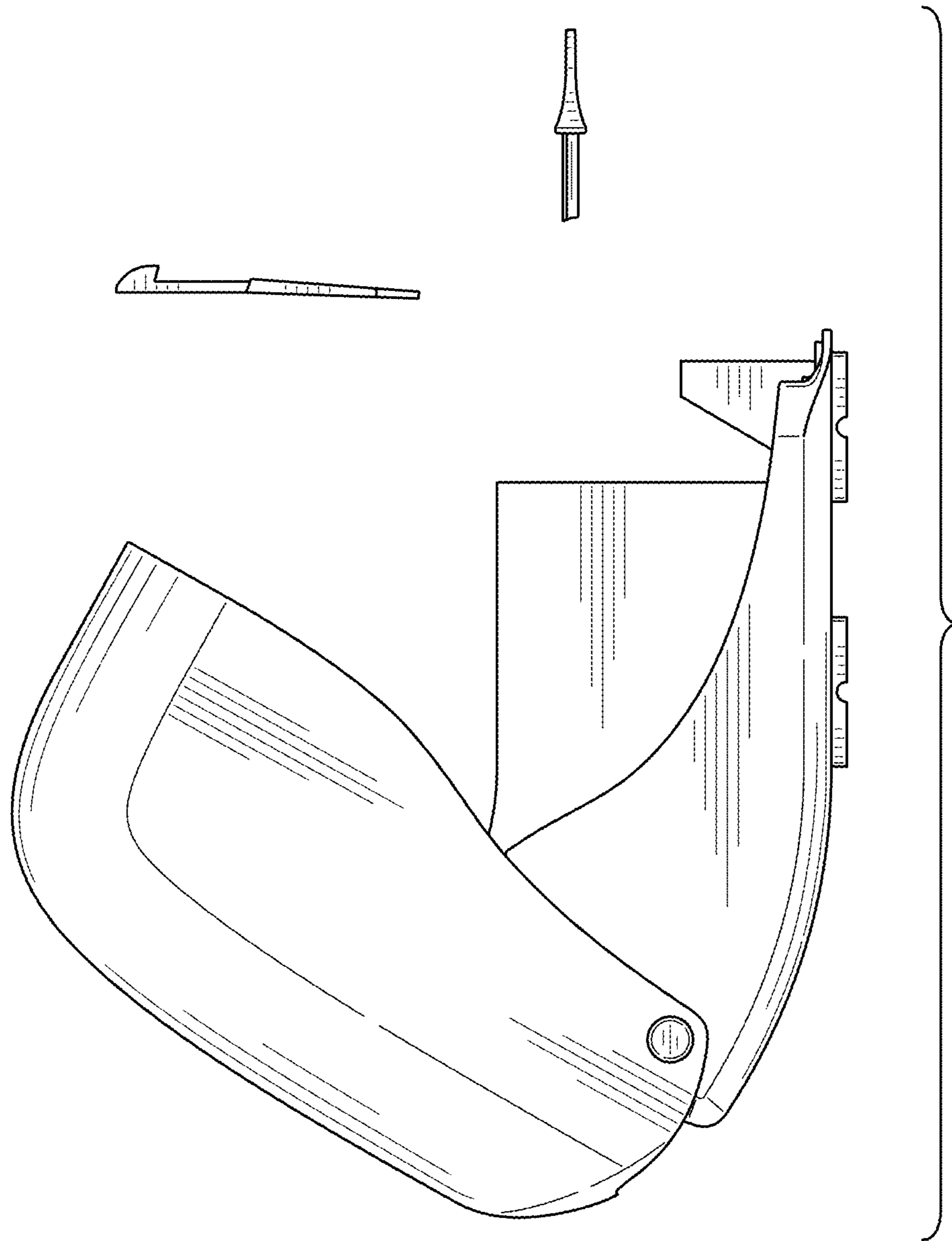


FIG. 11

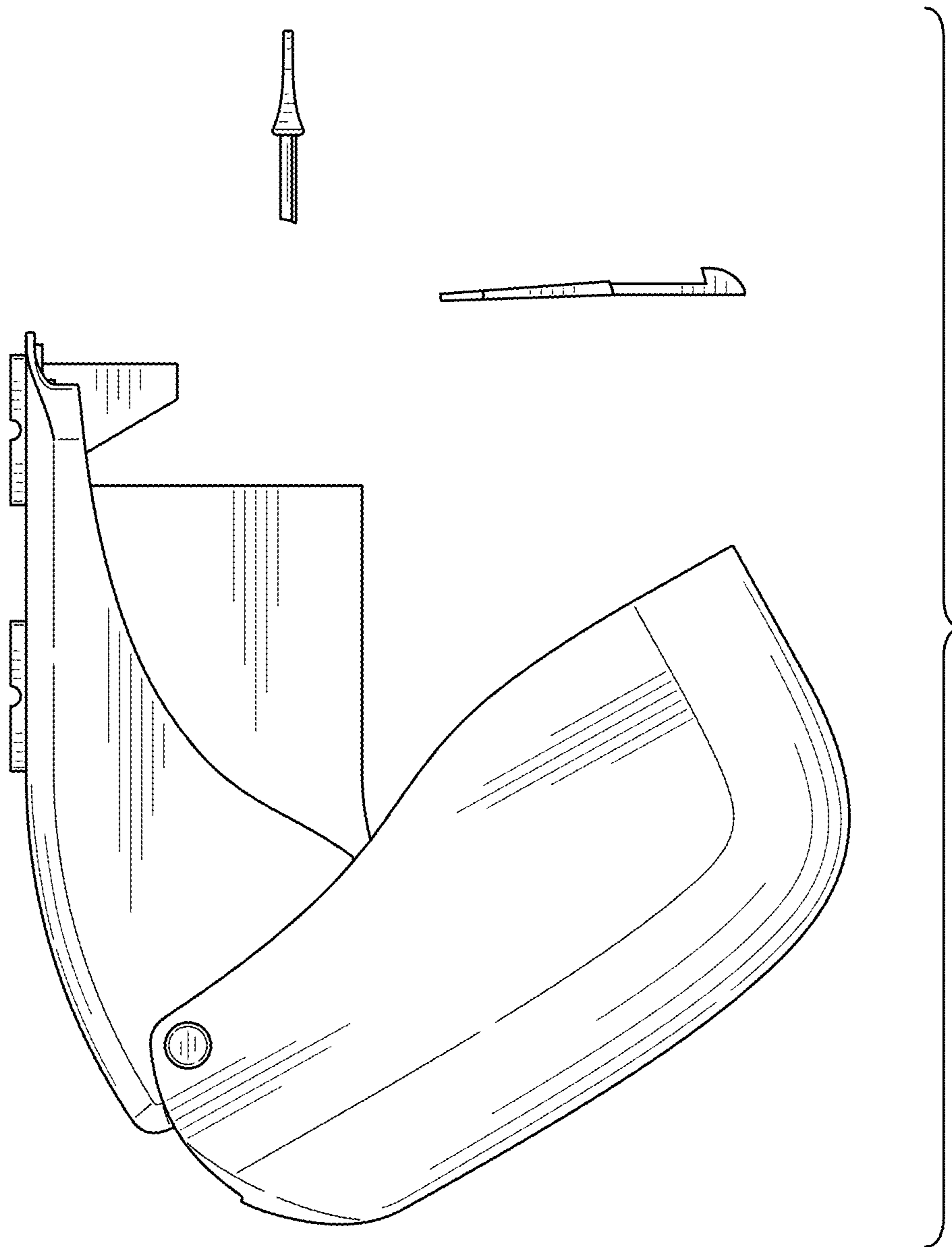


FIG. 12

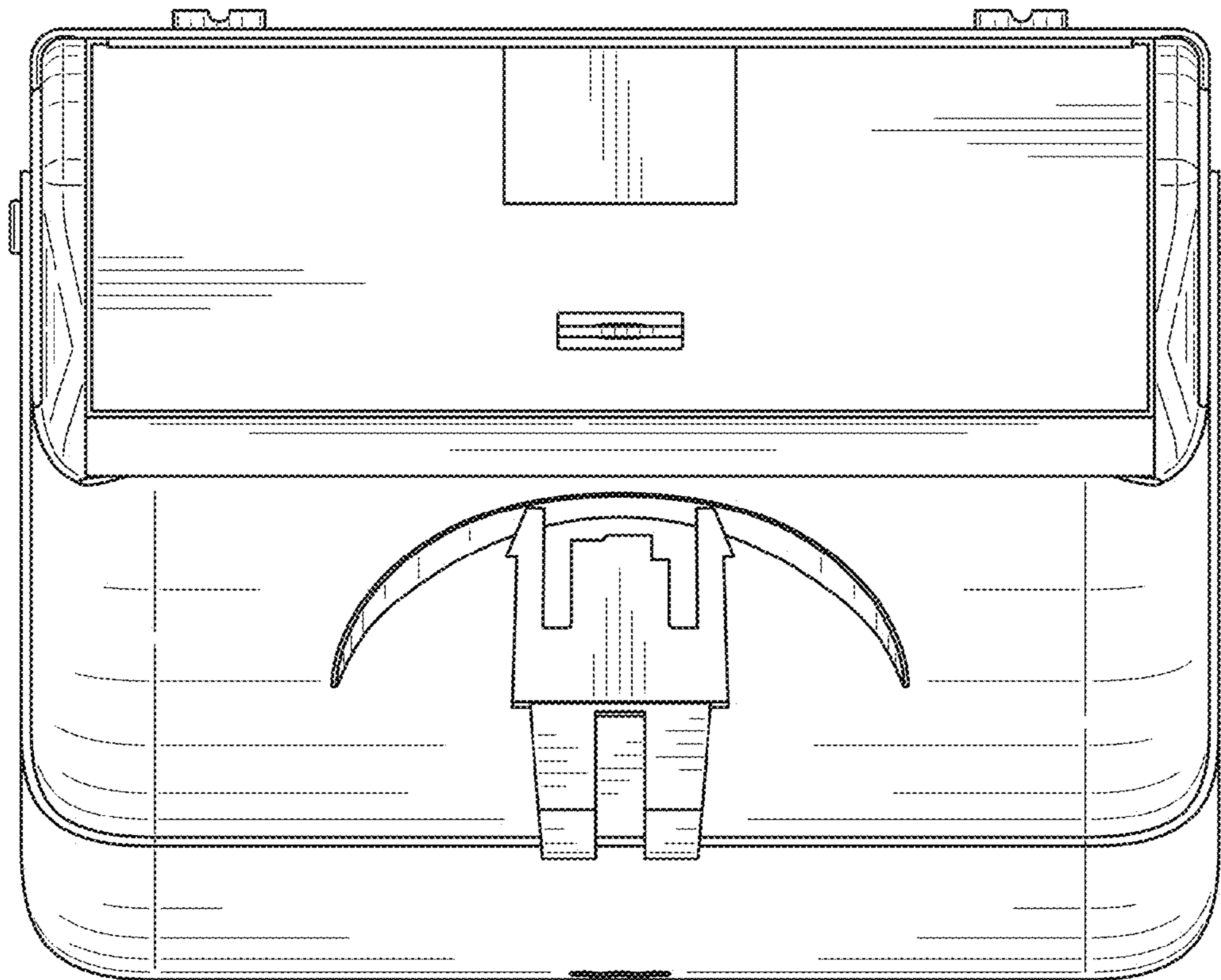


FIG. 13

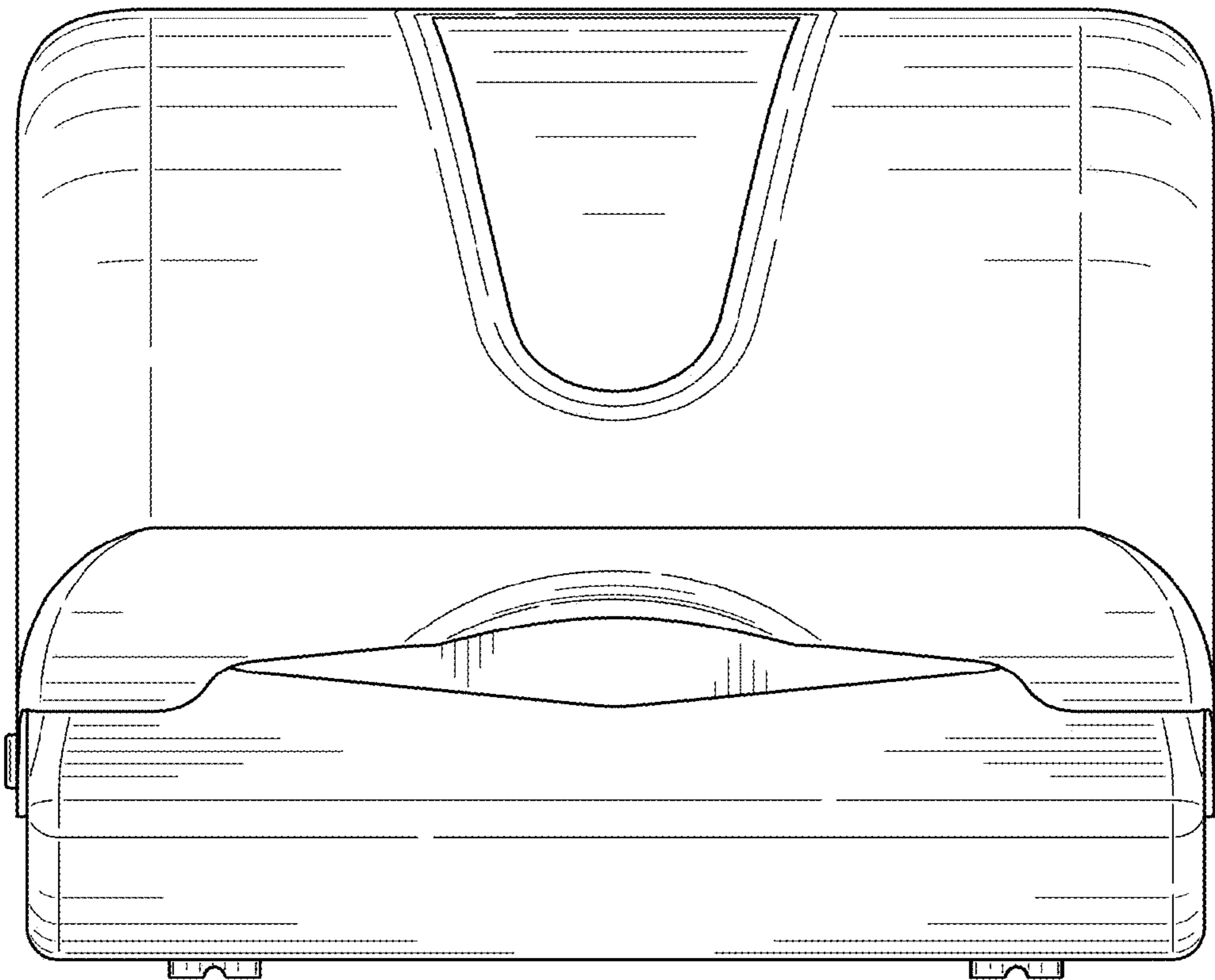


FIG. 14