



US00D980642S

(12) **United States Design Patent**  
**Sabounjian et al.**

(10) **Patent No.:** **US D980,642 S**  
(45) **Date of Patent:** **\*\* Mar. 14, 2023**

- (54) **CAN DISPENSER RACK**
- (71) Applicants: **Sam C. Sabounjian**, Irvine, CA (US);  
**Azad Sabounjian**, Irvine, CA (US)
- (72) Inventors: **Sam C. Sabounjian**, Irvine, CA (US);  
**Azad Sabounjian**, Irvine, CA (US)
- (\*\*) Term: **15 Years**
- (21) Appl. No.: **29/699,352**
- (22) Filed: **Jul. 24, 2019**
- (51) **LOC (14) Cl.** ..... **20-02**
- (52) **U.S. Cl.**  
USPC ..... **D6/515**
- (58) **Field of Classification Search**  
USPC ..... D6/515, 517, 675.2, 520, 512-252;  
D7/701-708; D8/349, 363, 366, 373,  
D8/380, 381; 211/87.01, 100, 105.1,  
211/105.2, 181.1; D9/423, 737  
CPC .. A47F 1/087; A47F 1/04; A47F 1/121; A47F  
1/12; A47F 1/00; A47B 73/002  
See application file for complete search history.

D584,548 S *	1/2009	Parker .....	D6/515
D632,108 S *	2/2011	Snider .....	D6/520
D828,145 S *	9/2018	Le .....	D8/380
D859,877 S *	9/2019	Tuang .....	D6/515
D943,302 S *	2/2022	Zhai .....	D6/515

**OTHER PUBLICATIONS**

Topbathy Fridge Soda Can Rack—Amazon <https://www.amazon.com/TOPBATHY-Beverage-Dispenser-Refrigerator-Organizer/dp/B07WH2TKYY> retrieved from the internet on Oct. 25, 2022.\*

\* cited by examiner

*Primary Examiner* — Mary Ann Calabrese  
(74) *Attorney, Agent, or Firm* — Stetina Brunda Garred & Brucker

(57) **CLAIM**

The ornamental design for a can dispenser rack, as shown and described.

**DESCRIPTION**

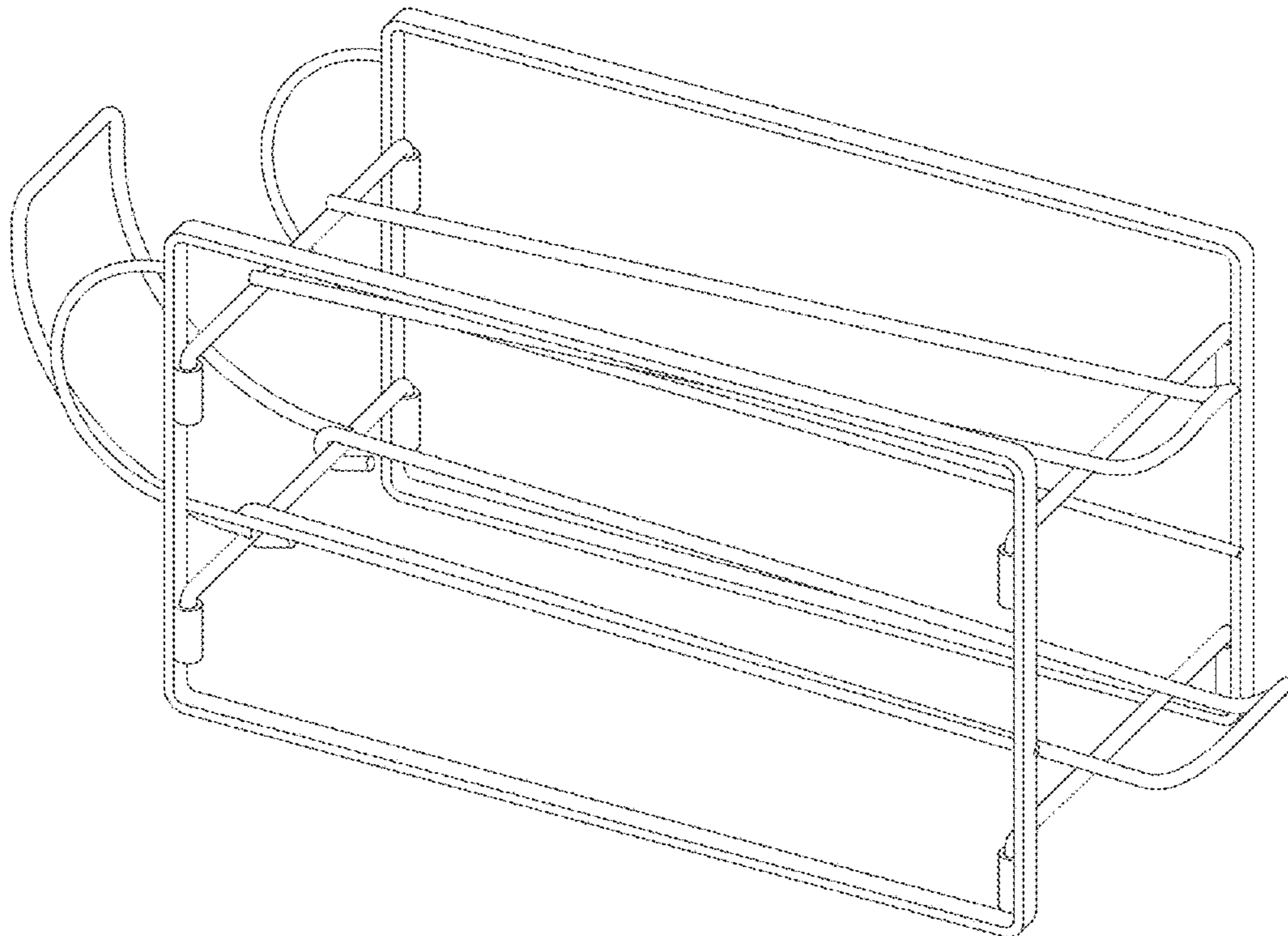
FIG. 1 is a perspective view of a can dispenser rack; FIG. 2 is a front view of the can dispenser rack of FIG. 1, the opposing back view being a mirror image thereof; FIG. 3 is a left side view of the can dispenser rack of FIG. 1; FIG. 4 is a right side view of the can dispenser rack of FIG. 1; FIG. 5 is a top view of the can dispenser rack of FIG. 1; and, FIG. 6 is a bottom view of the can dispenser rack of FIG. 1.

**1 Claim, 4 Drawing Sheets**

(56) **References Cited**

**U.S. PATENT DOCUMENTS**

D192,378 S *	3/1962	Combs .....	D6/515
D342,420 S *	12/1993	Ienna .....	D6/515
D354,181 S *	1/1995	Smith .....	D6/515
D369,708 S *	5/1996	Breen .....	D6/515
D402,837 S *	12/1998	Boire .....	D6/515
D502,621 S *	3/2005	Ho .....	D6/515
D543,400 S *	5/2007	Ho .....	D6/515



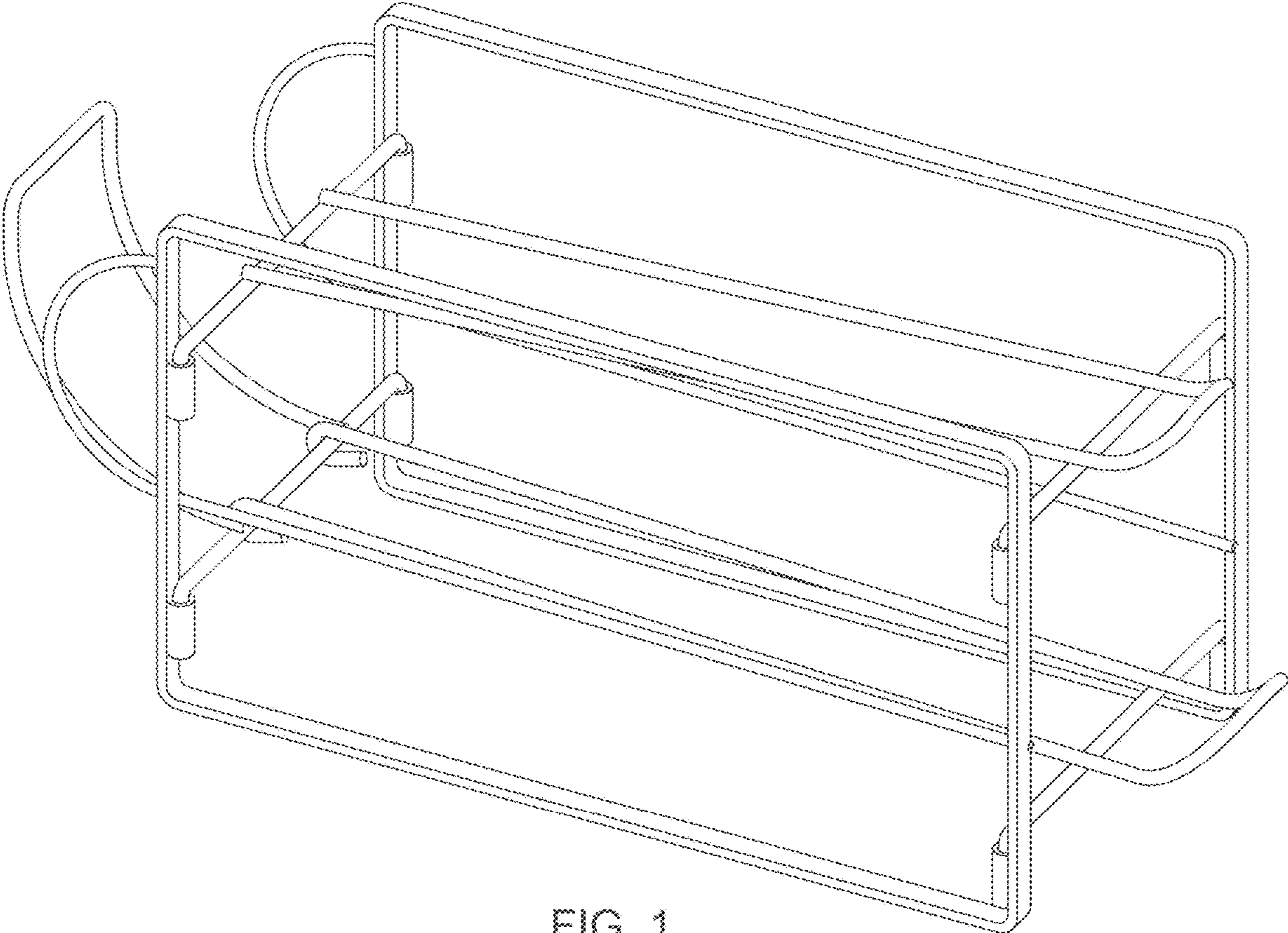


FIG. 1

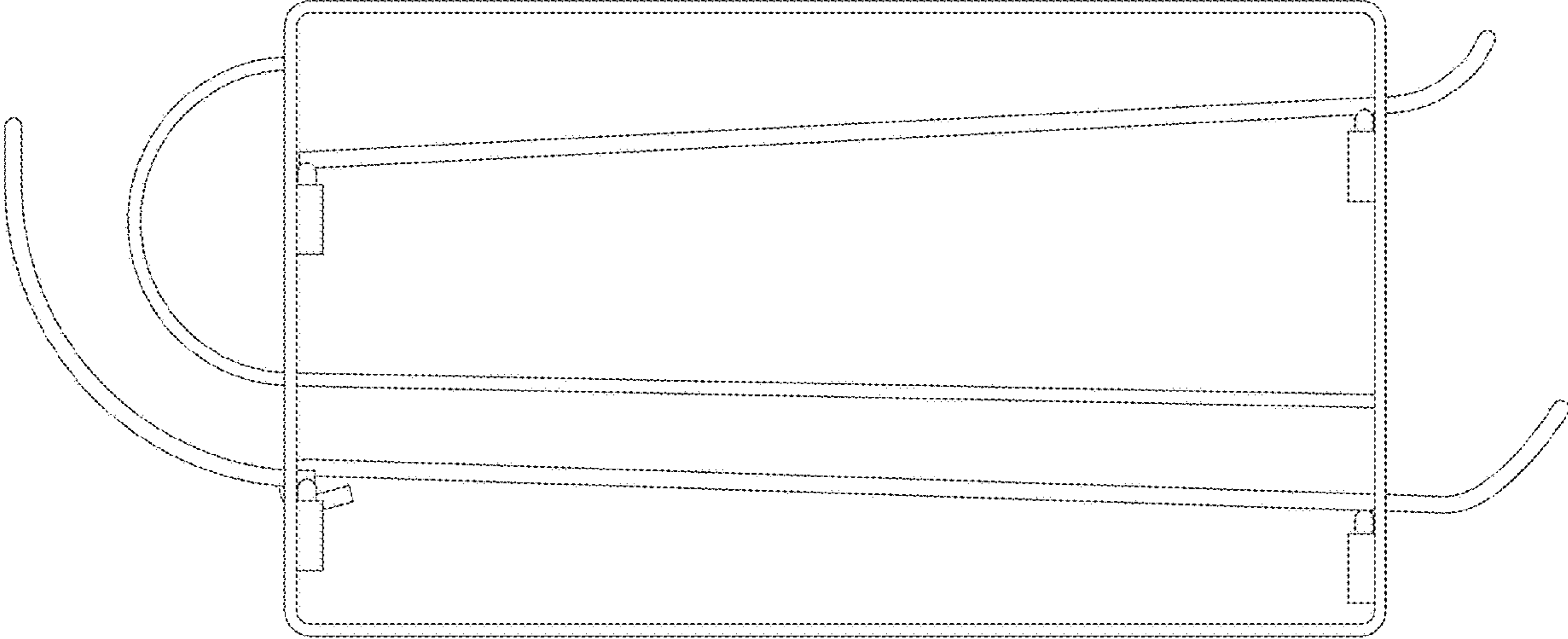


FIG. 2

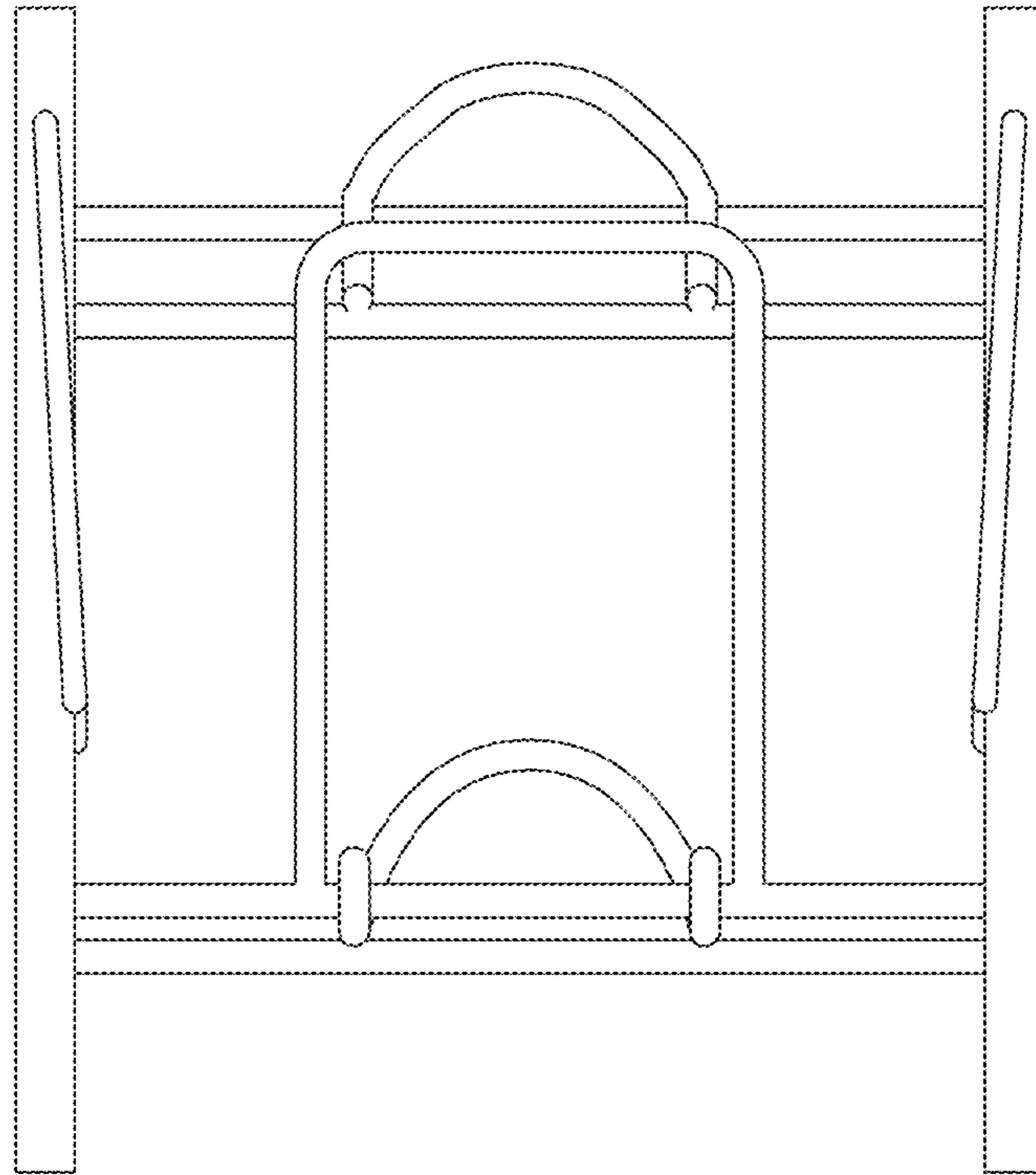


FIG. 3

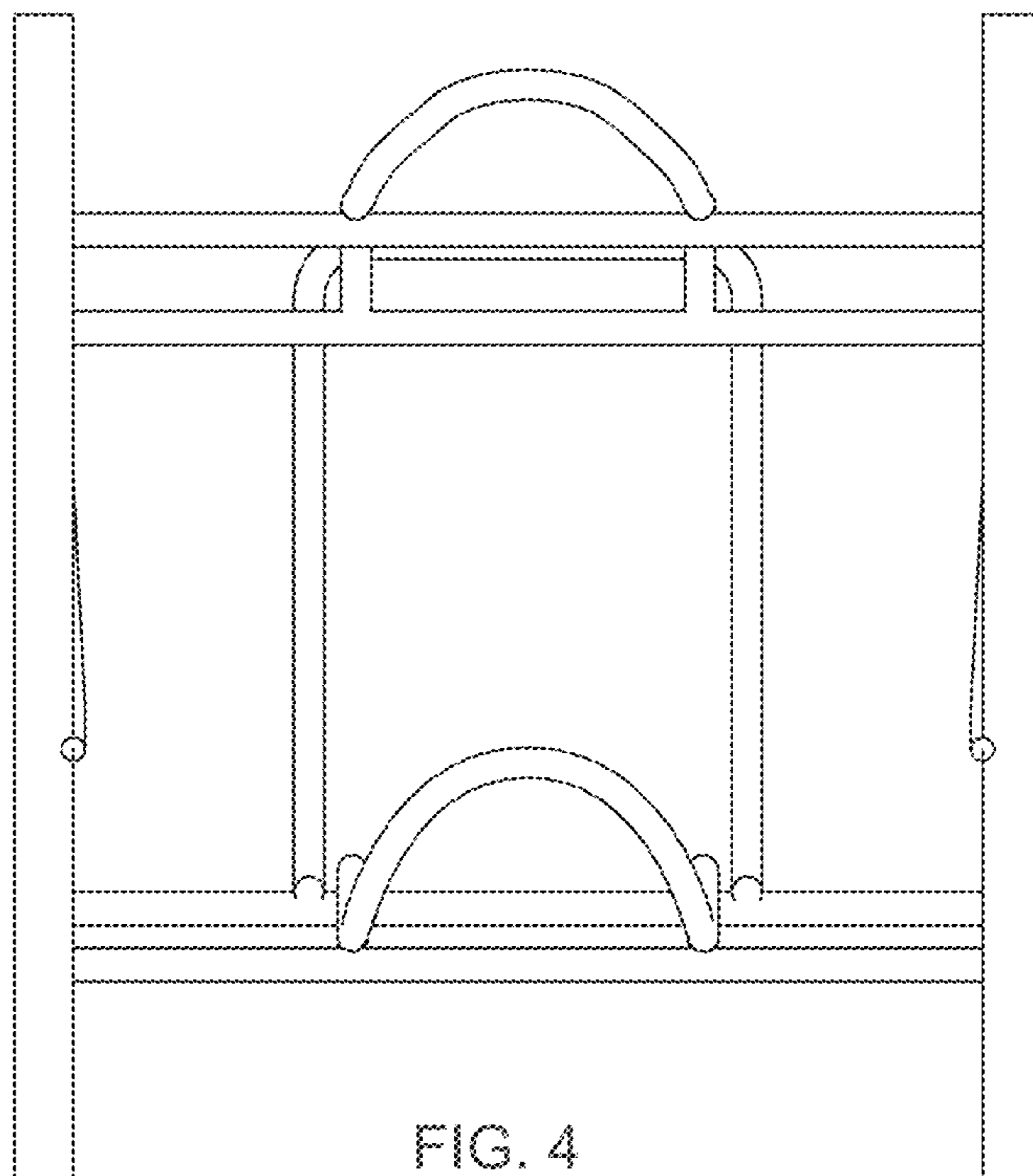


FIG. 4

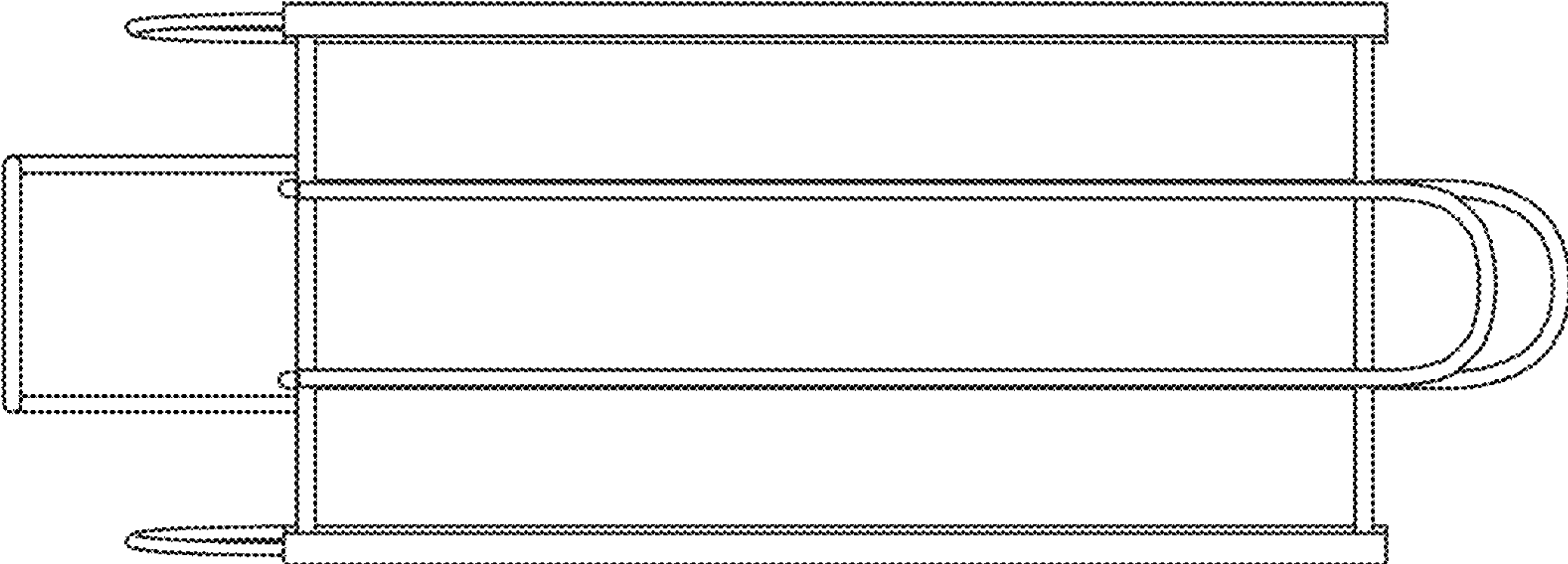


FIG. 5

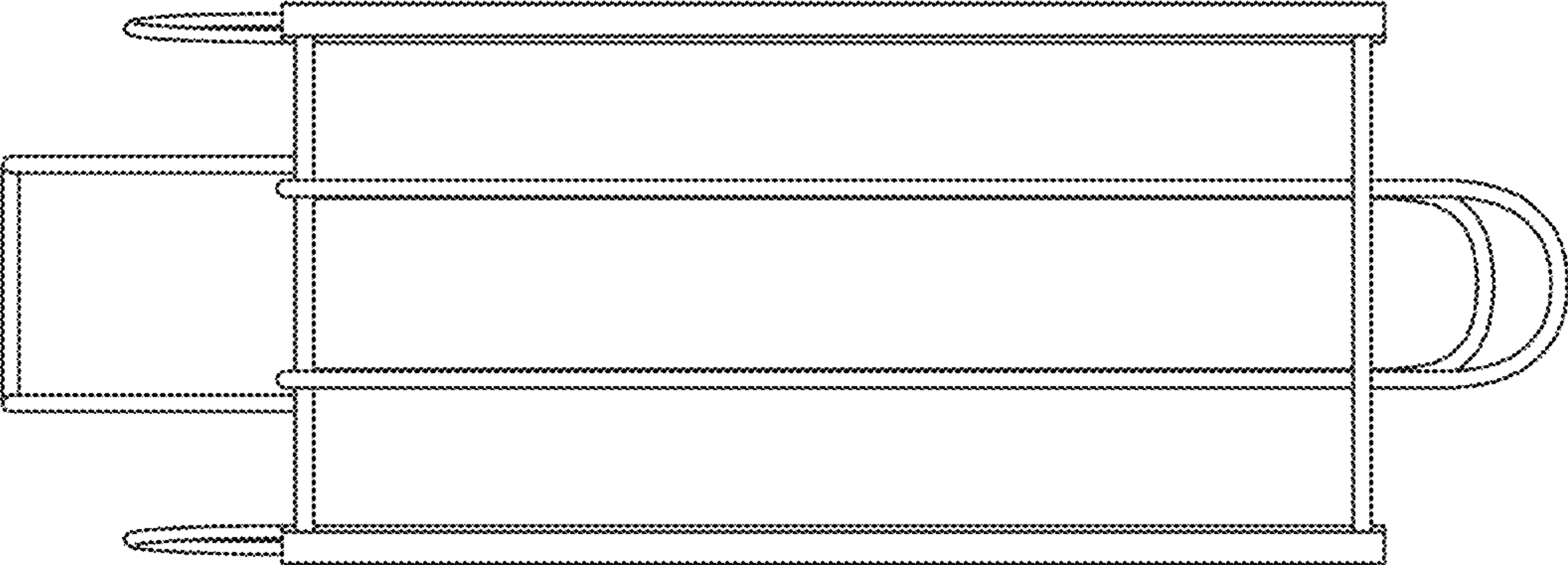


FIG. 6