



US00D980639S

(12) **United States Design Patent**
Li

(10) **Patent No.:** **US D980,639 S**
(45) **Date of Patent:** **** Mar. 14, 2023**

(54) **CHAIR**

(71) Applicant: **Hangzhou Ruiyi Outdoor Leisure Products Co., Ltd, Zhejiang (CN)**

(72) Inventor: **Ren Li, Zhejiang (CN)**

(**) Term: **15 Years**

(21) Appl. No.: **29/726,686**

(22) Filed: **Mar. 5, 2020**

(30) **Foreign Application Priority Data**

Sep. 12, 2019 (CN) 201930502272.5

(51) **LOC (14) Cl.** **06-01**

(52) **U.S. Cl.**
USPC **D6/375**

(58) **Field of Classification Search**

USPC D6/360, 369, 374, 376, 379, 380, 358,
D6/365, 370, 373, 377, 716; D21/521
CPC .. A47C 3/023; A47C 3/04; A47C 3/14; A47C
3/34; A47C 4/028; A47C 4/02; A47C
4/03; A47C 5/04; A47C 5/10; A47C
7/002; A47C 7/029; A47C 7/506; A47C
9/007; A47C 9/005; A47C 9/00; A47C
13/023; A47B 1/00; A47B 7/02; A47B
39/08; A47B 41/00; A47B 41/04; A47B
2200/0011; A47B 2200/0027

See application file for complete search history.

(56) **References Cited**

U.S. PATENT DOCUMENTS

D169,299 S * 4/1953 Willemin D6/375
D227,633 S * 7/1973 Kellman D6/375
D235,947 S * 7/1975 Uyeda D6/373
D287,437 S * 12/1986 Frinier D6/373
D289,349 S * 4/1987 Vanderminden D6/379

D357,137 S * 4/1995 Hess D6/379
D358,264 S * 5/1995 Vanderminden, Sr. D6/375
D358,721 S * 5/1995 Hess D6/373

(Continued)

OTHER PUBLICATIONS

“Kingsley Bate Tivoli Stainless Steel and Teak Sling Dining Armchair (Stacking)” Jan. 29, 2017, frontera.com, site visited Jun. 7, 2022 <<https://www.frontera.com/kingsley-bate-tivoli-stainless-steel-and-teak-sling-dining-armchair-stacking/>> (Year: 2017).*

Primary Examiner — Kevin K Rudzinski

Assistant Examiner — Paul D Bohannon

(74) *Attorney, Agent, or Firm* — Prakash Nama; Global IP Services, PLLC

(57) **CLAIM**

The ornamental design for a chair, as shown and described.

DESCRIPTION

FIG. 1 is a front elevational view of a chair showing my new design;

FIG. 2 is a rear elevational view thereof;

FIG. 3 is a left side view thereof;

FIG. 4 is a right side view thereof;

FIG. 5 is a top plan view thereof;

FIG. 6 is a bottom plan view thereof;

FIG. 7 is a perspective view thereof;

FIG. 8 is an enlarged view of portion 8 shown in FIG. 2;

FIG. 9 is an enlarged view of portion 9 shown in FIG. 5;

FIG. 10 is an enlarged view of portion 10 shown in FIG. 5;

FIG. 11 is an enlarged view of portion 11 shown in FIG. 5;

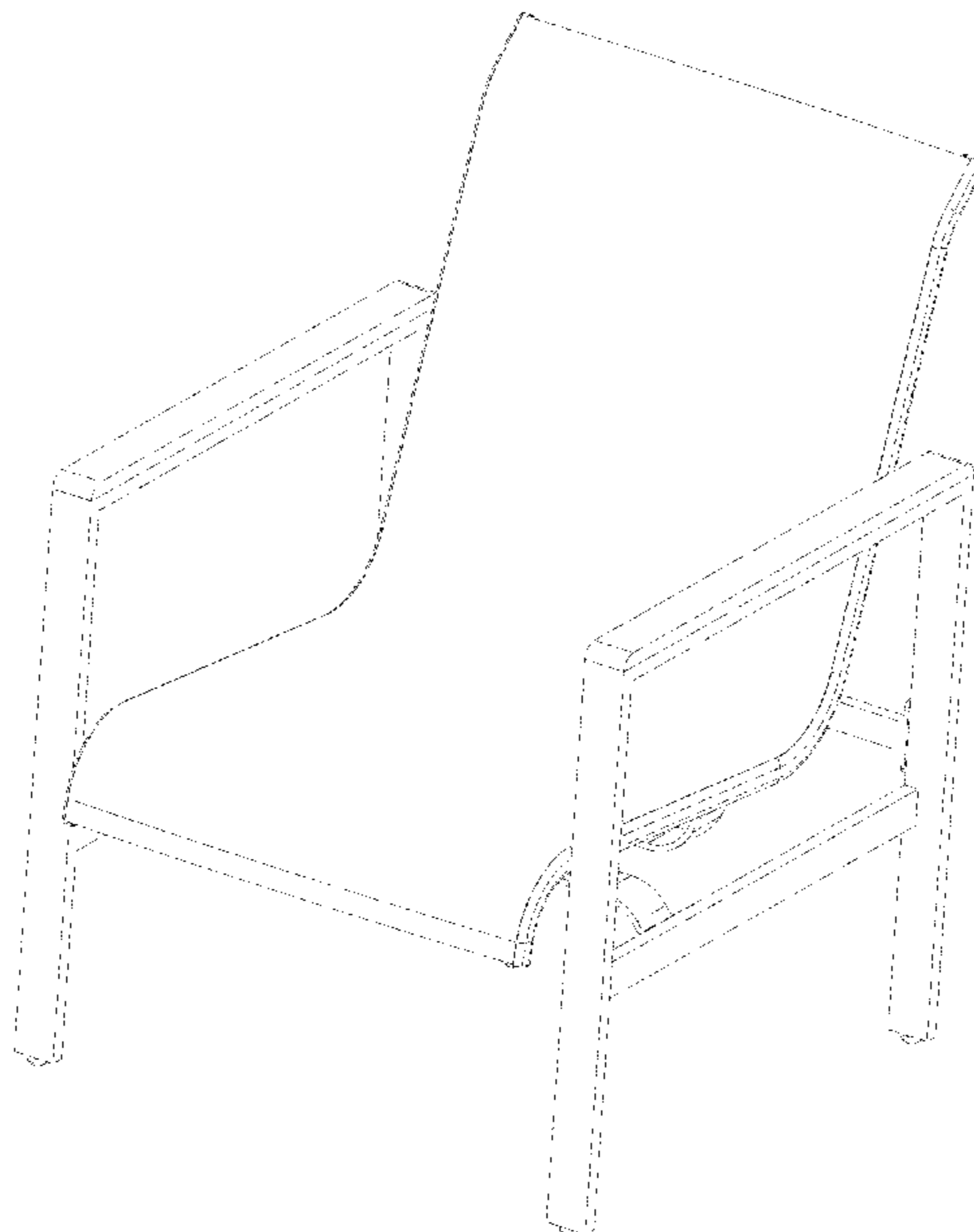
FIG. 12 is an enlarged view of portion 12 shown in FIG. 5;

and,

FIG. 13 is an enlarged view of portion 13 shown in FIG. 6.

The broken lines shown in the drawings illustrate portions of the article that form no part of the claimed design.

1 Claim, 13 Drawing Sheets



(56)

References Cited

U.S. PATENT DOCUMENTS

5,599,064 A * 2/1997 Vanderminden, Sr.
A47C 7/445
297/344.21
D426,971 S * 6/2000 Tseng D6/375
D438,398 S * 3/2001 Frinier D6/375
D449,176 S * 10/2001 Schulte D6/375
D450,945 S * 11/2001 Lo D6/375
D469,972 S * 2/2003 Vanderminden, Sr. D6/373
D482,541 S * 11/2003 Puer D6/373
D486,002 S * 2/2004 Lederman D6/375
D496,172 S * 9/2004 Puer D6/375
D497,491 S * 10/2004 Puer D6/375
D502,332 S * 3/2005 Puer D6/379
D513,910 S * 1/2006 Gehry D6/375
D514,835 S * 2/2006 Grosfillex D6/379
11,234,527 B2 * 2/2022 Hsu Besner A47C 4/52
2021/0153657 A1 * 5/2021 Cook A47C 7/002

* cited by examiner

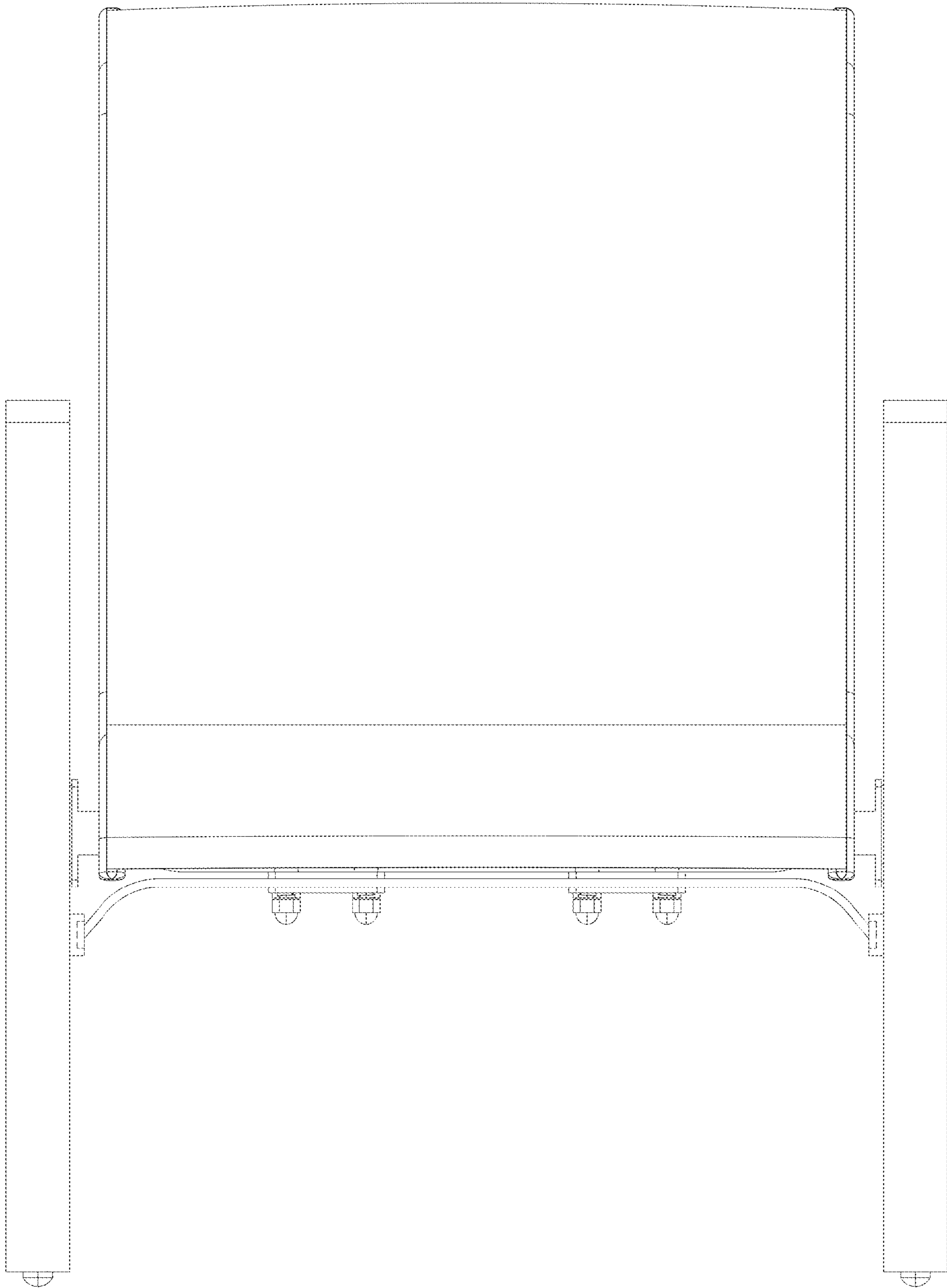


FIG. 1

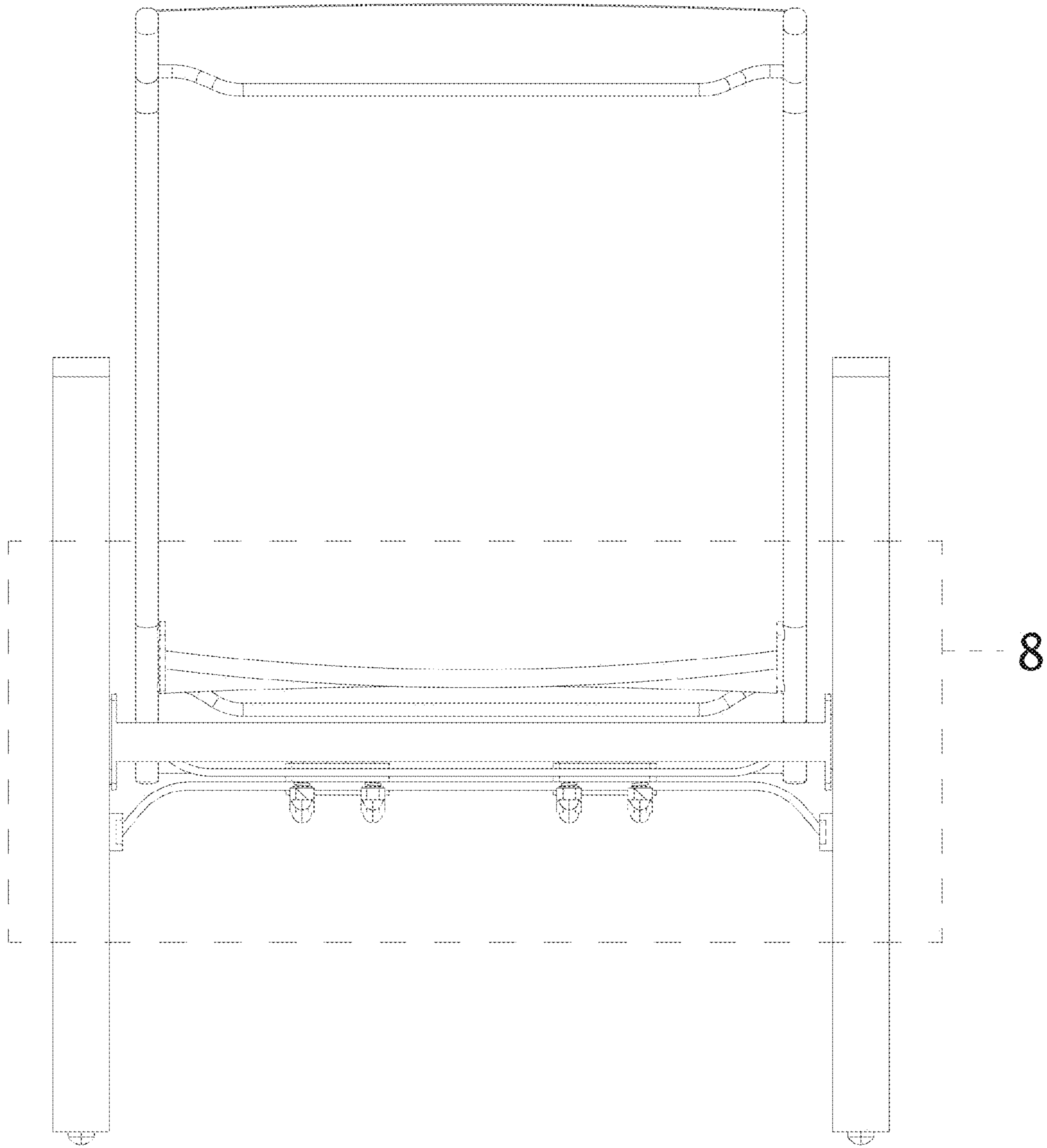


FIG. 2

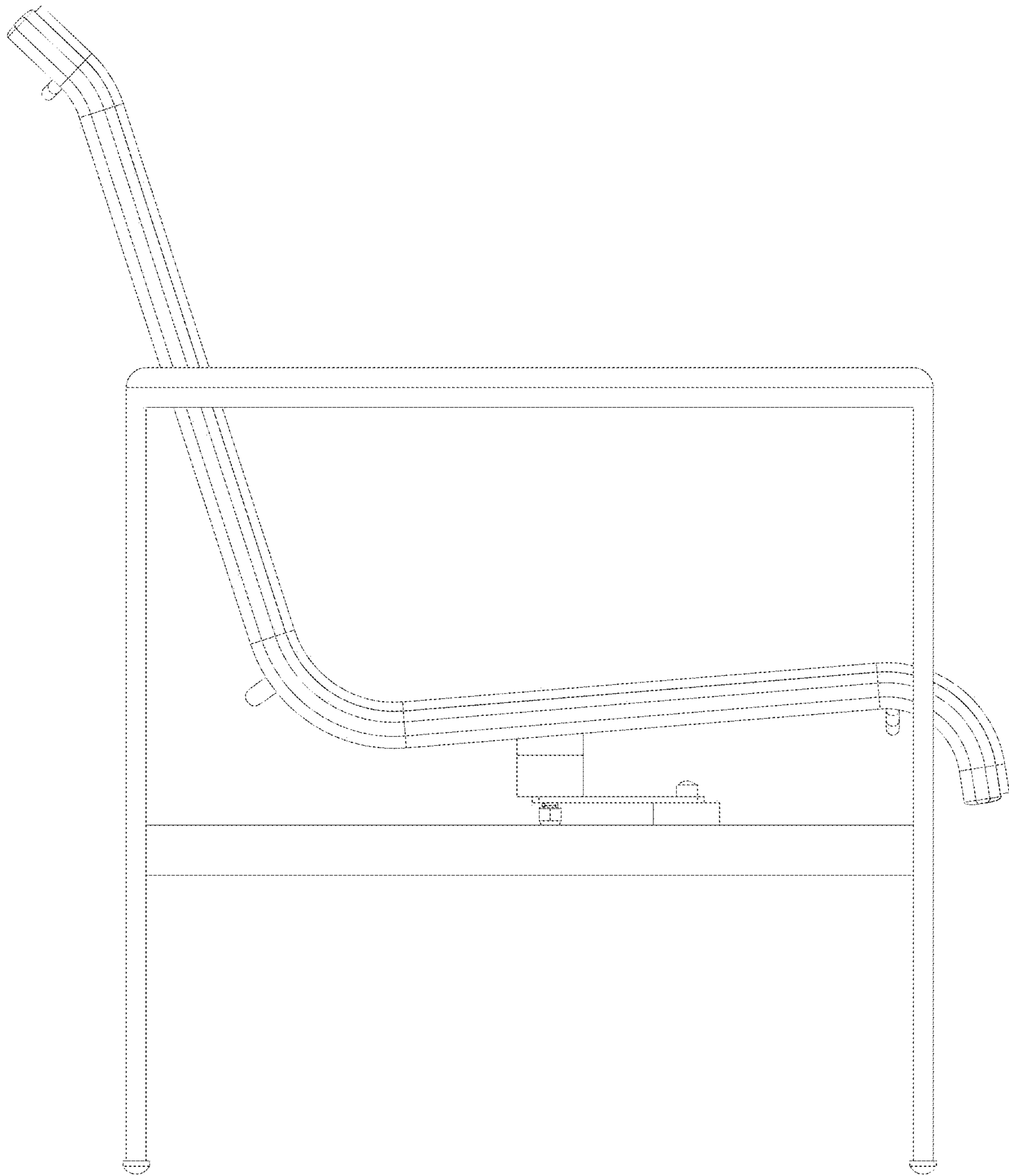


FIG.3

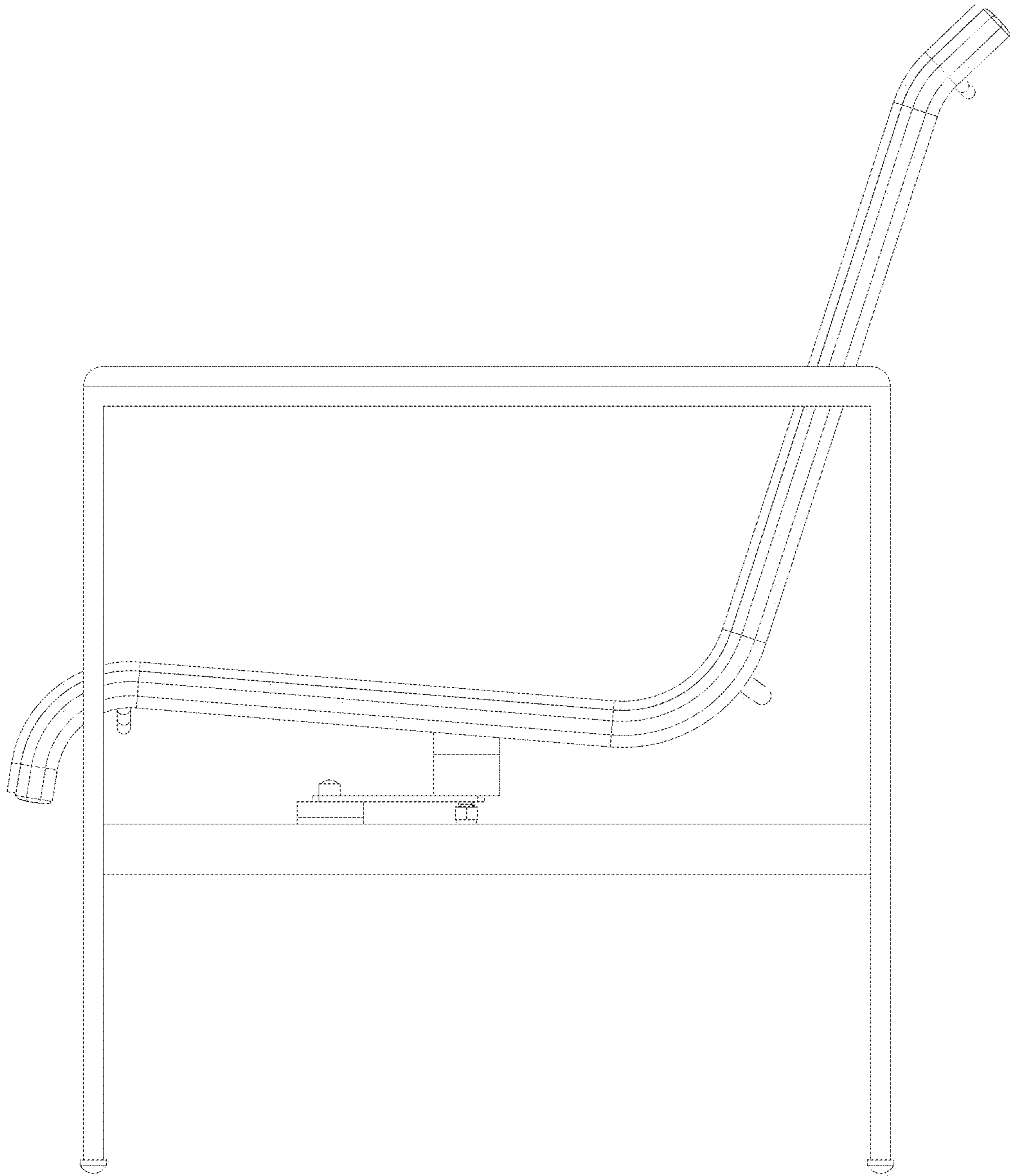


FIG. 4

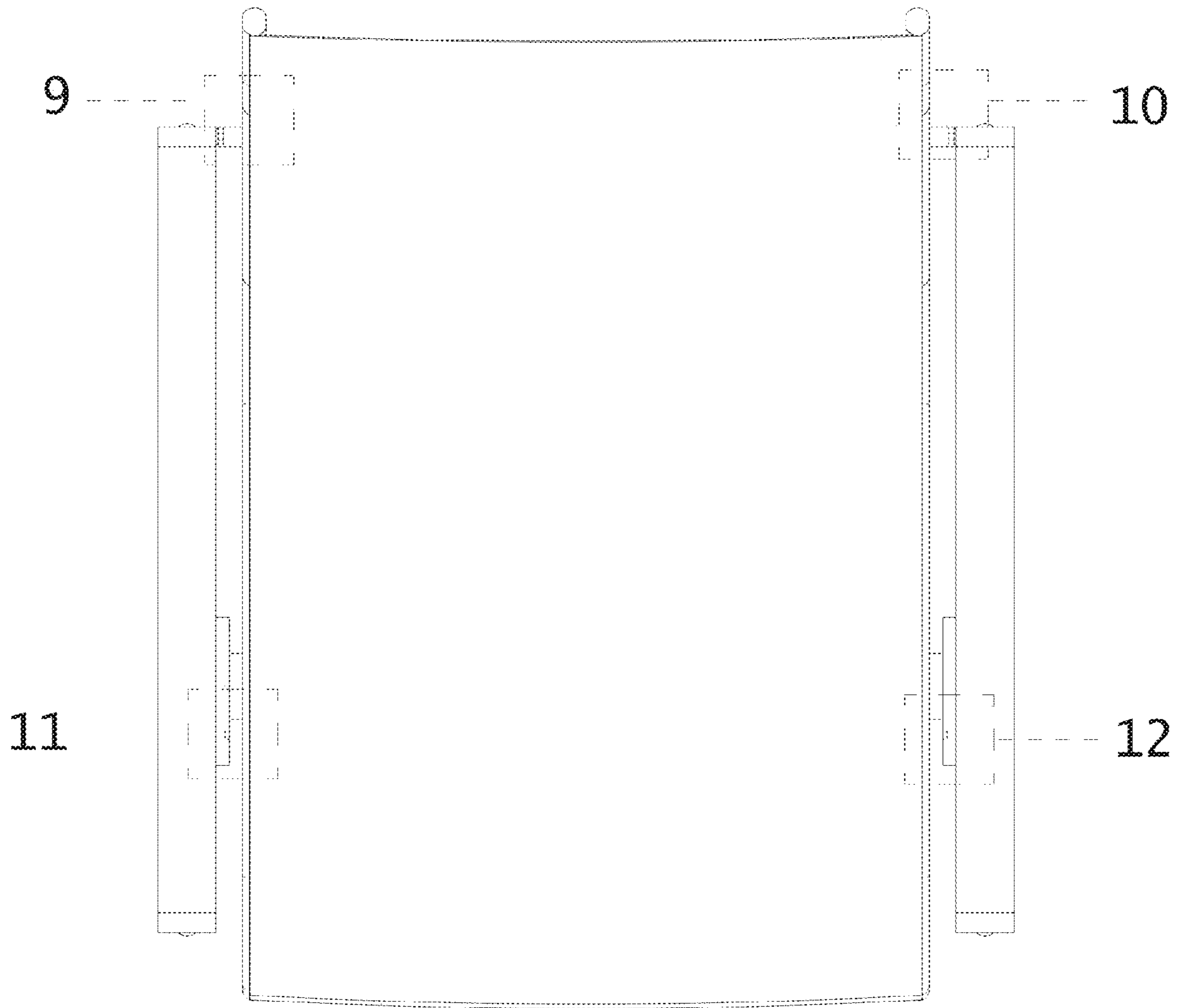


FIG.5

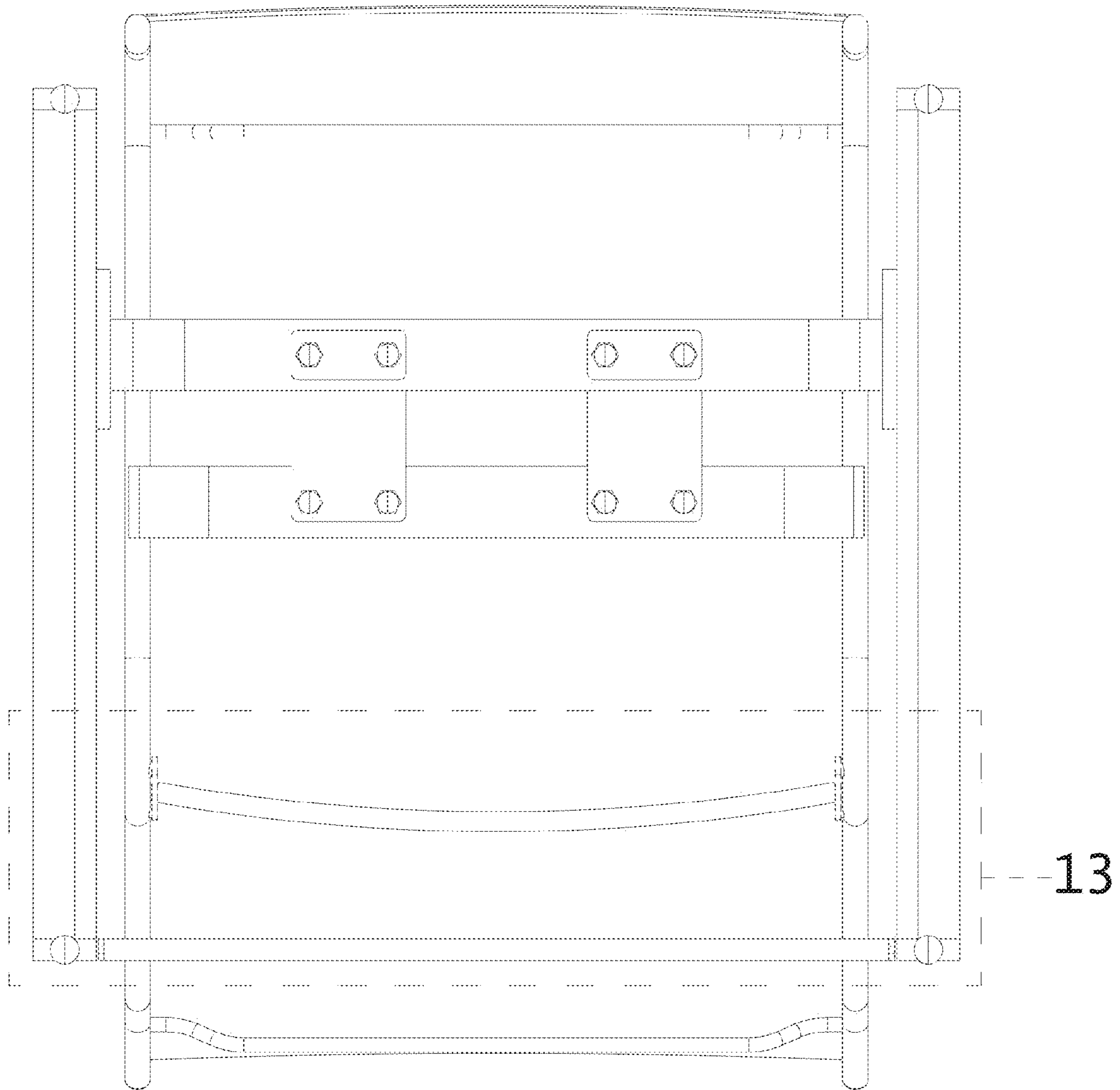


Fig. 6

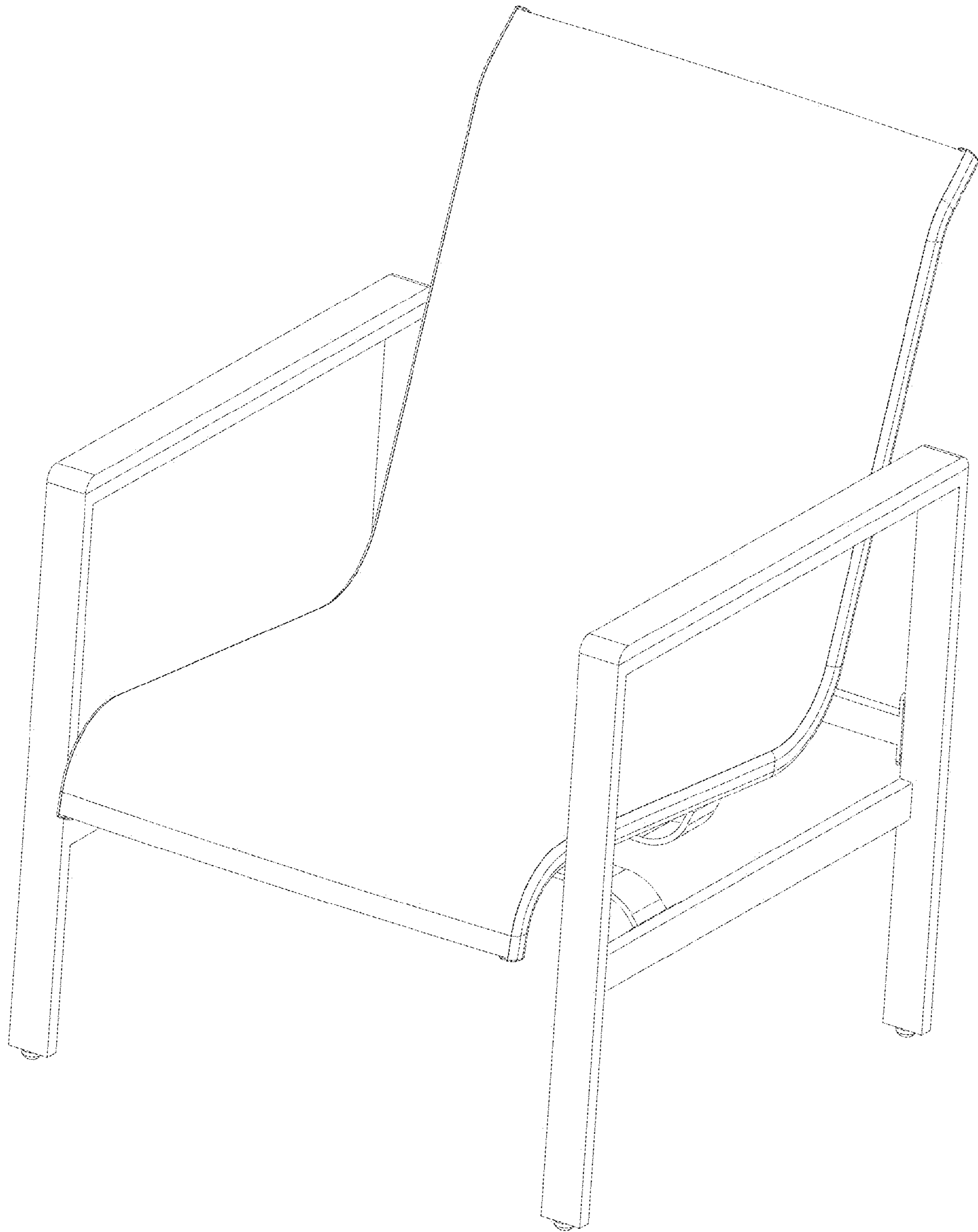


FIG. 7

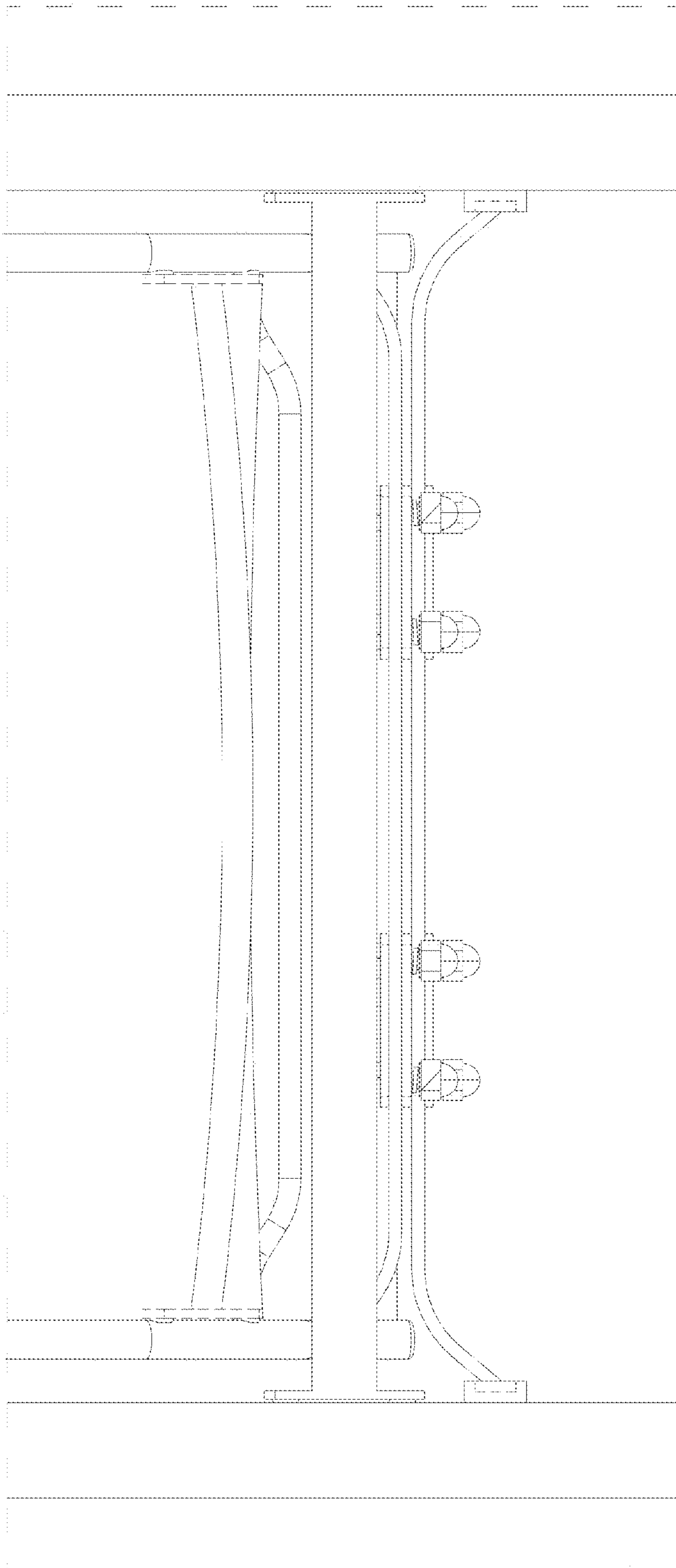


FIG. 8

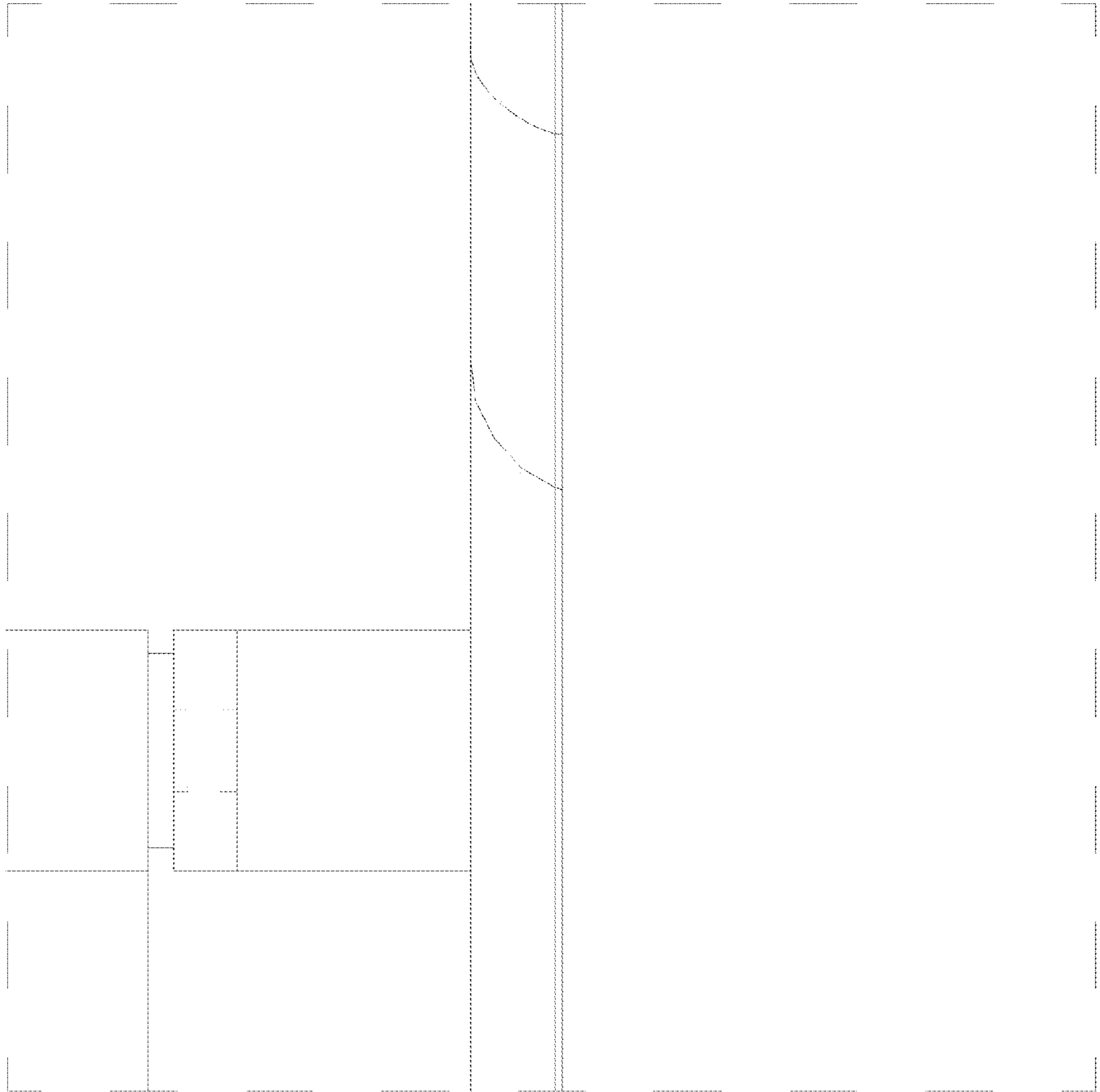


FIG. 9

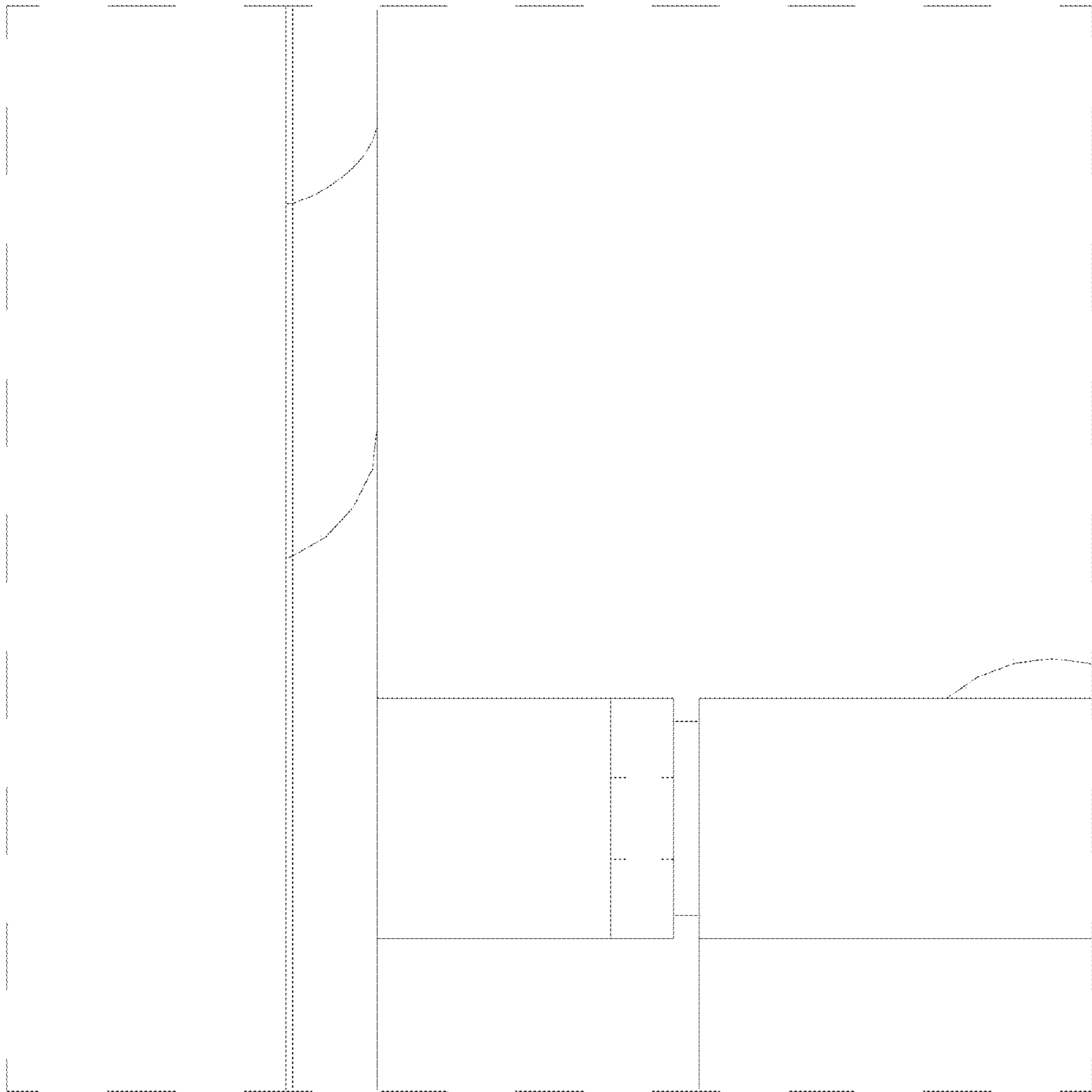


FIG.10

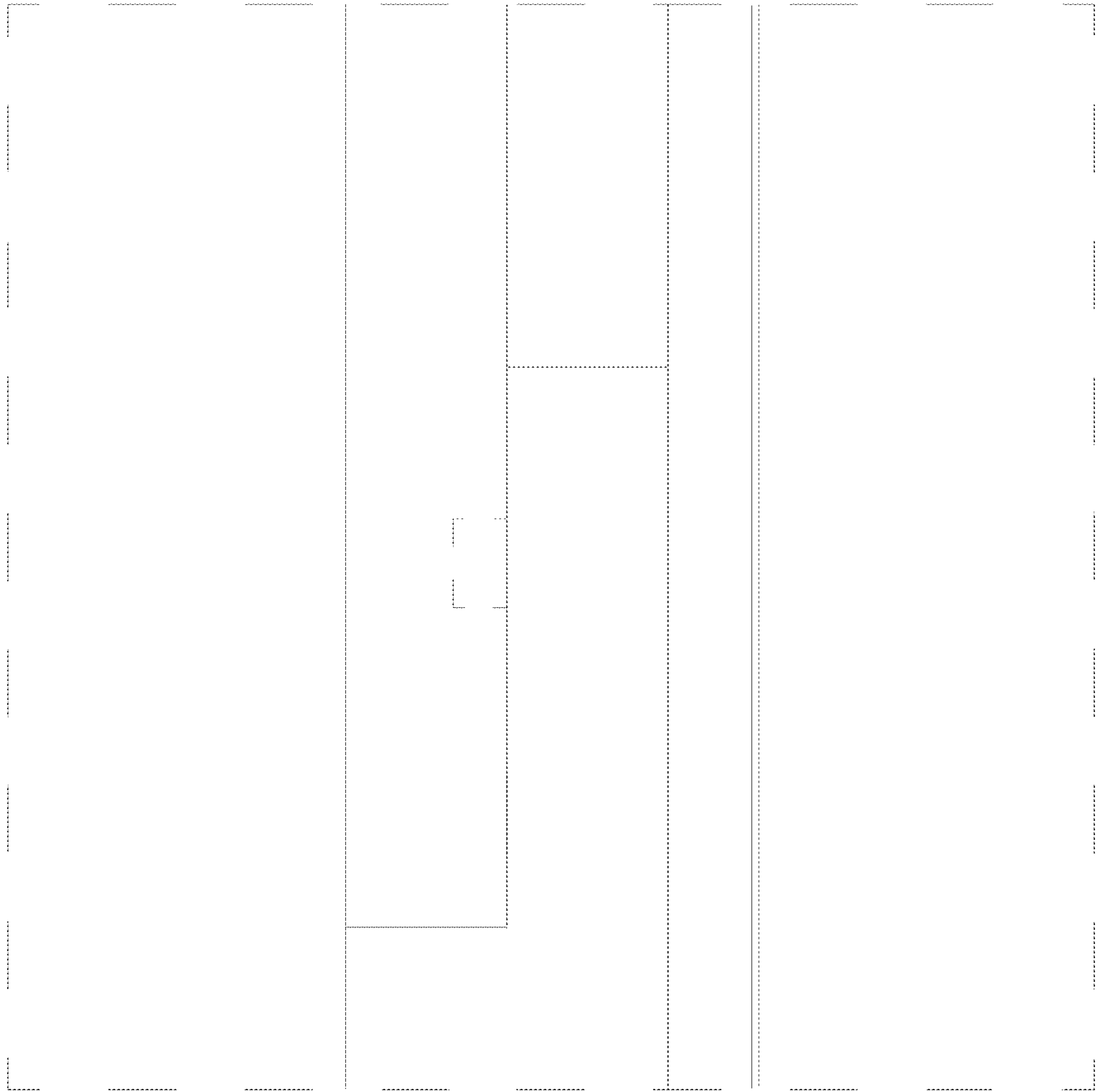


FIG. 11

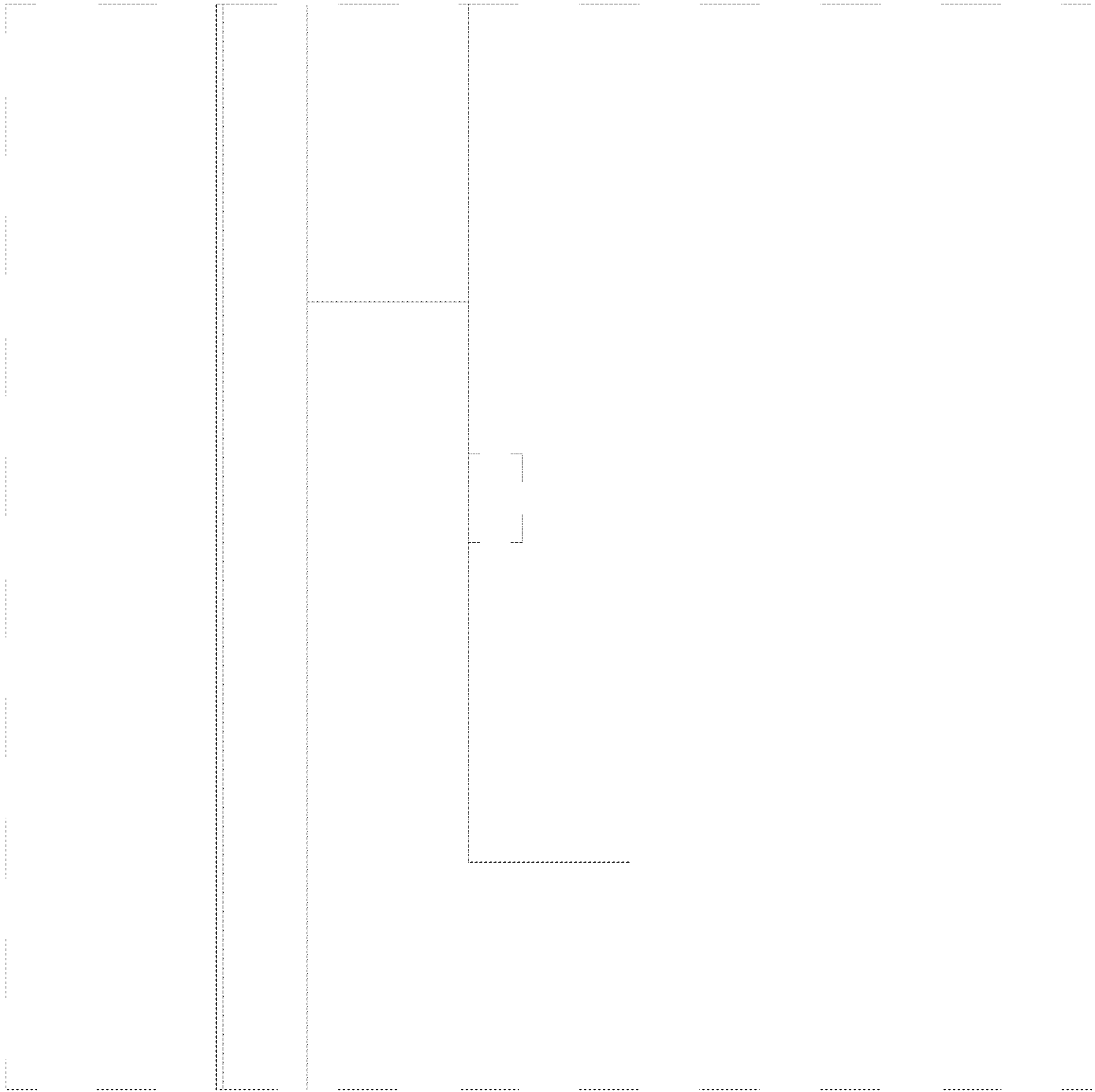


FIG. 12

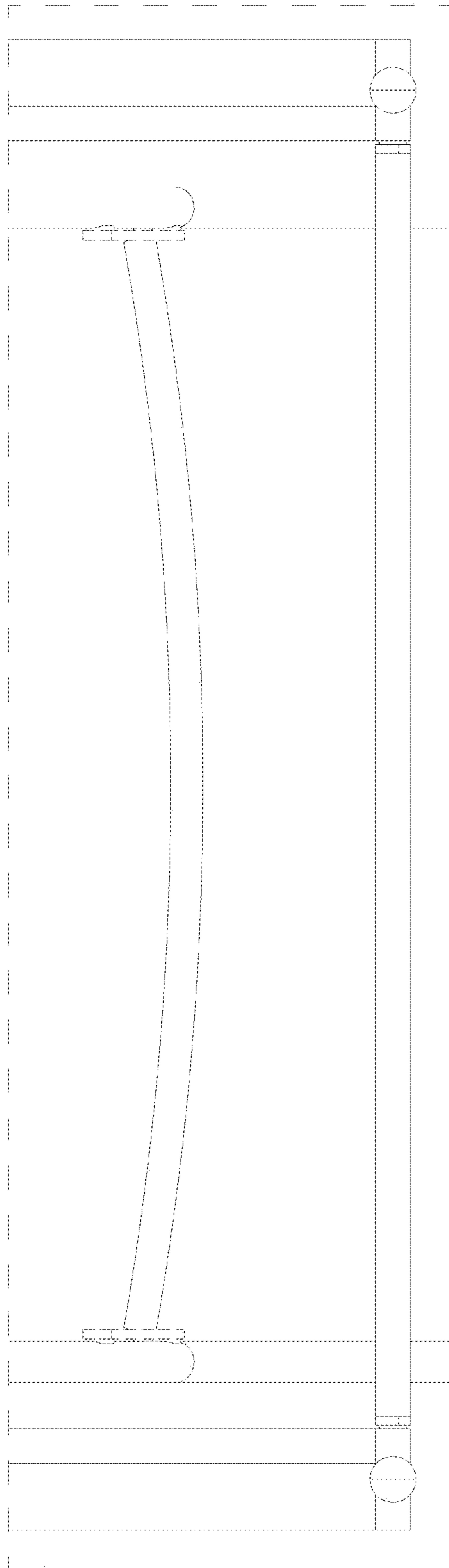


FIG. 13