



US00D980637S

(12) **United States Design Patent**
Tan

(10) **Patent No.:** **US D980,637 S**
(45) **Date of Patent:** **** Mar. 14, 2023**

(54) **OFFICE CHAIR**

D946,296 S * 3/2022 Massaud D6/366
D953,050 S * 5/2022 Bhakta D6/366
D965,366 S * 10/2022 Wang D6/716.1

(71) Applicant: **PAGO LLC**, Chino, CA (US)

(72) Inventor: **Fangqiang Tan**, Chino, CA (US)

(**) Term: **15 Years**

(21) Appl. No.: **29/835,512**

(22) Filed: **Apr. 20, 2022**

(51) **LOC (14) Cl.** **06-01**

(52) **U.S. Cl.**
USPC **D6/366**

(58) **Field of Classification Search**
USPC D6/356, 362, 366, 367, 374, 375, 379,
D6/380, 716.1
CPC A47C 1/02; A47C 1/022; A47C 1/024;
A47C 1/032; A47C 1/03255; A47C 3/18;
A47C 3/20; A47C 3/025; A47C 3/026;
A47C 7/18; A47C 7/24; A47C 7/36;
A47C 7/46; A47C 9/02; A47C 5/04;
A47C 5/06; A47C 5/08; A47C 5/10

See application file for complete search history.

(56) **References Cited**

U.S. PATENT DOCUMENTS

D196,234 S * 9/1963 Johnson D6/366
3,521,929 A * 7/1970 Pearson A47C 7/02
297/DIG. 2
D227,829 S * 7/1973 Klose D6/366
D241,791 S * 10/1976 Tillberg D6/366
D260,205 S * 8/1981 Buhk D6/366
D704,465 S * 5/2014 Massaud D6/364
D751,312 S * 3/2016 Parker D6/366
D766,003 S * 9/2016 Parker D6/365
10,271,654 B2 * 4/2019 Mitschke A47C 3/30
D863,803 S * 10/2019 Lipparini D6/367
D916,477 S 4/2021 Tu

OTHER PUBLICATIONS

Amazon. https://www.amazon.com/EUREKA-ERGONOMIC-Computer-Recliner-Executive/dp/B0BKFKF77P/ref=sr_1_7?crd=N1KQXHL11012&keywords=office%2Bchair&nav_sdd=aps&qid=1668900641&refinements=p_36%3A1253523011&rnid=386465011&s=home-garden&sprefix=office%2Bcha&sr=1-7&th=1. "Eureka Ergonomic Home Office" Chair. (Year: 2022).*

* cited by examiner

Primary Examiner — R. Johnson

(57) **CLAIM**

The ornamental design for an office chair, as shown and described.

DESCRIPTION

FIG. 1 is a front and top perspective view of an office chair, showing my new design;
FIG. 2 is a rear and bottom perspective view thereof;
FIG. 3 is a front elevation view thereof;
FIG. 4 is a rear elevation view thereof;
FIG. 5 is a left side elevation view thereof;
FIG. 6 is a right side elevation view thereof;
FIG. 7 is a top plan view thereof;
FIG. 8 is a bottom plan view thereof; and,
FIG. 9 is an enlarged view of a portion taken at line-9 in FIG. 2.

The broken lines in the figures illustrate portions of the office chair that form no part of the claimed design. The dash dot dash lines in FIGS. 2 and 9 are for the purpose of depicting the boundary lines of the enlarged view and form no part of the claimed design.

1 Claim, 9 Drawing Sheets

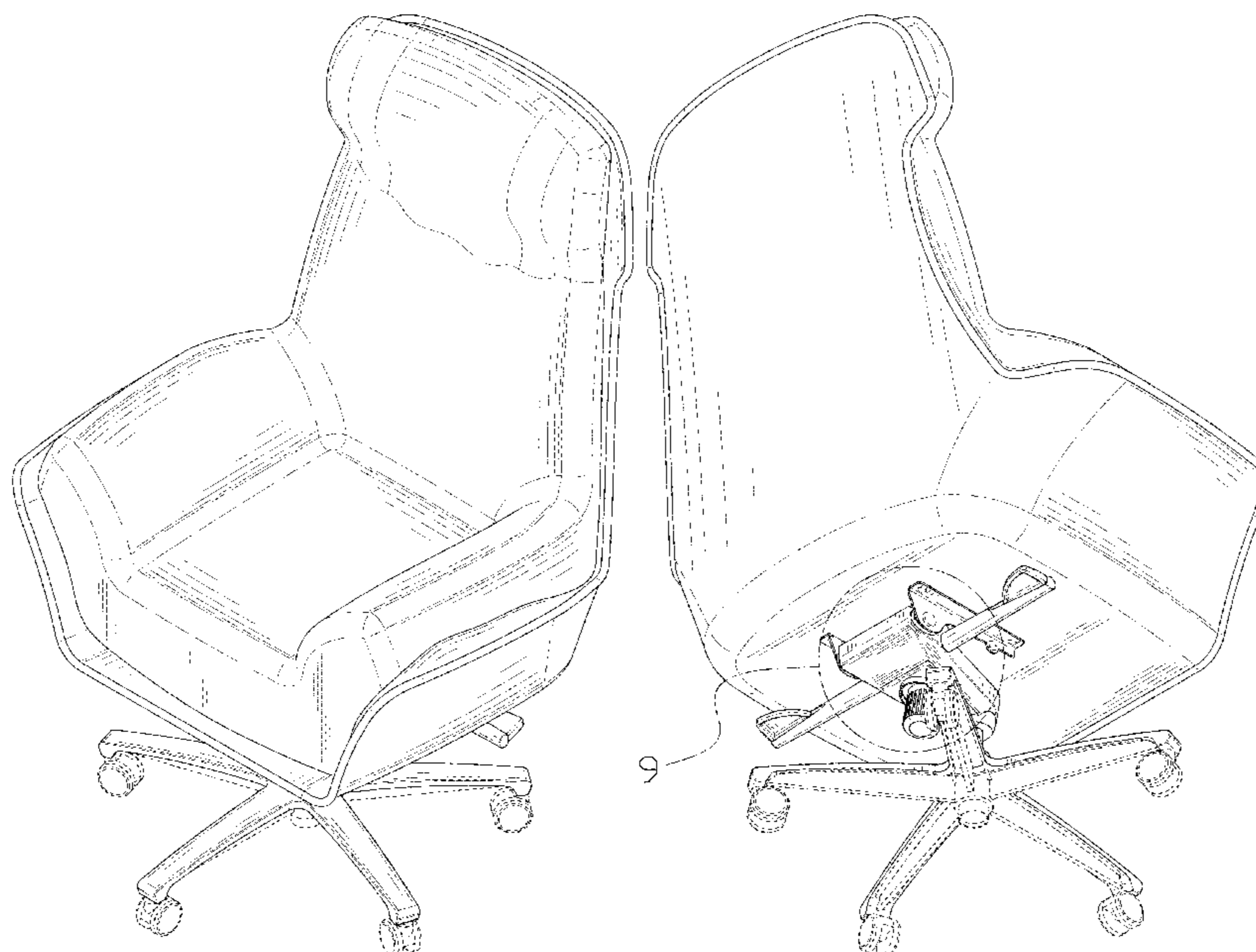




FIG. 1

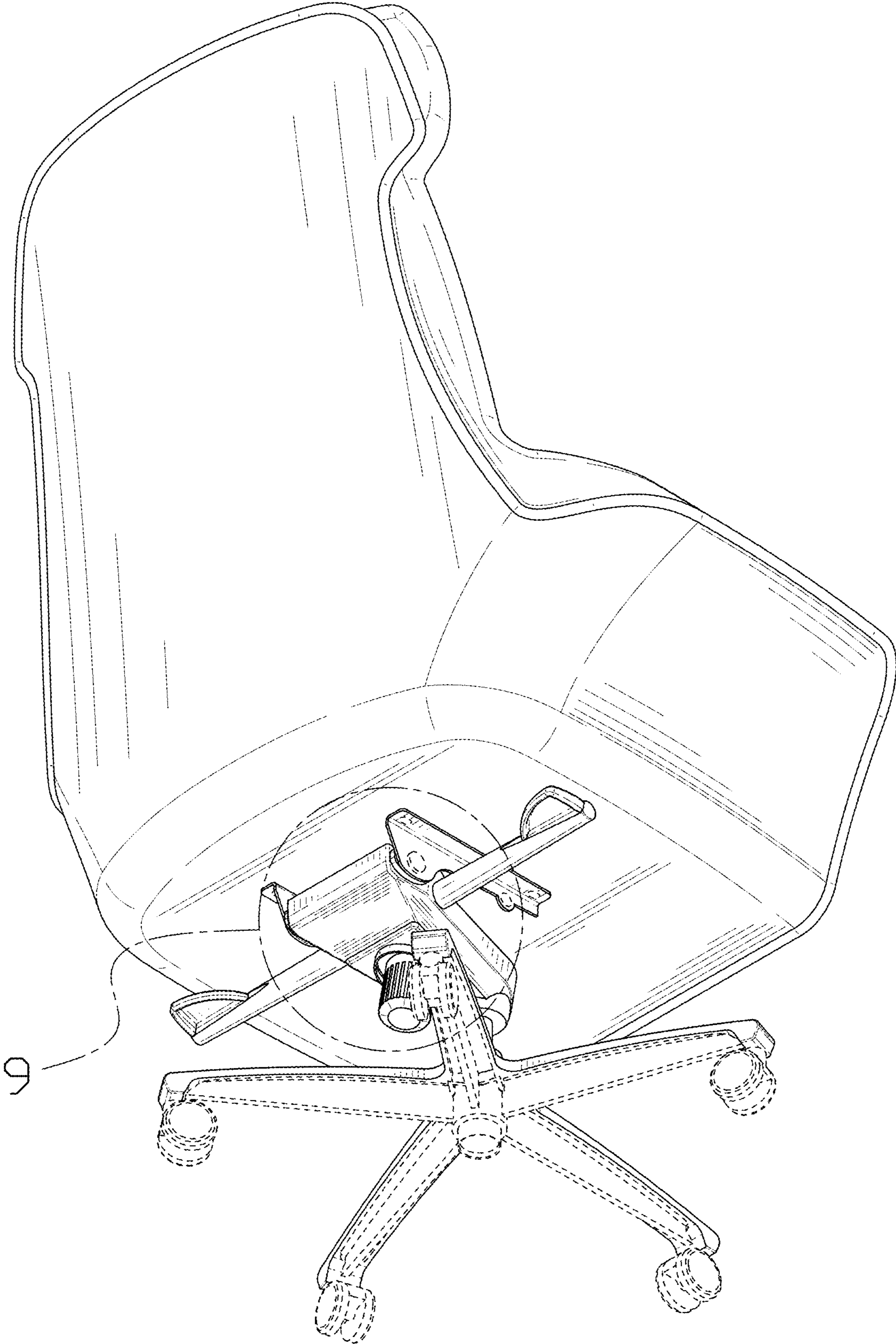


FIG. 2

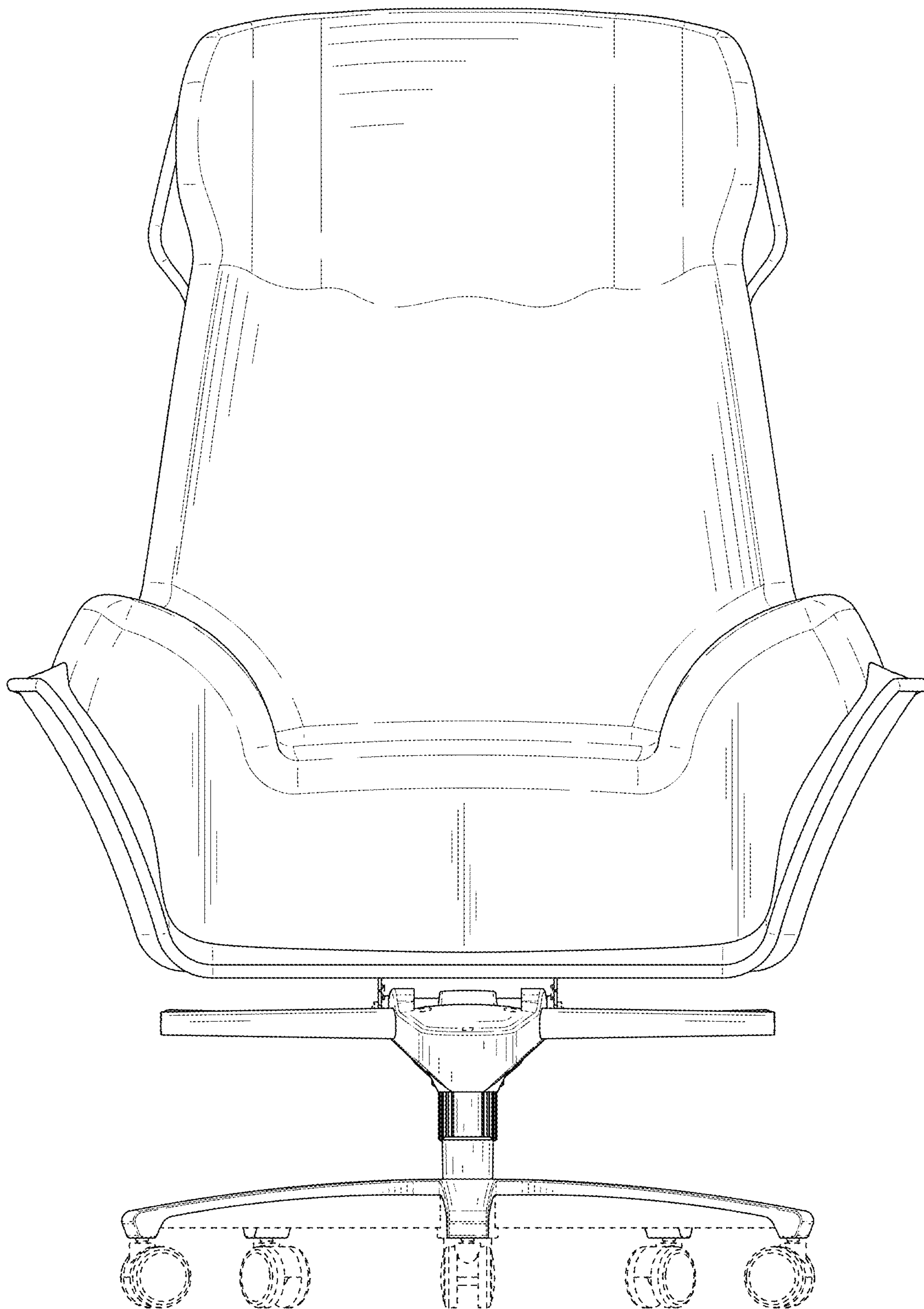


FIG. 3

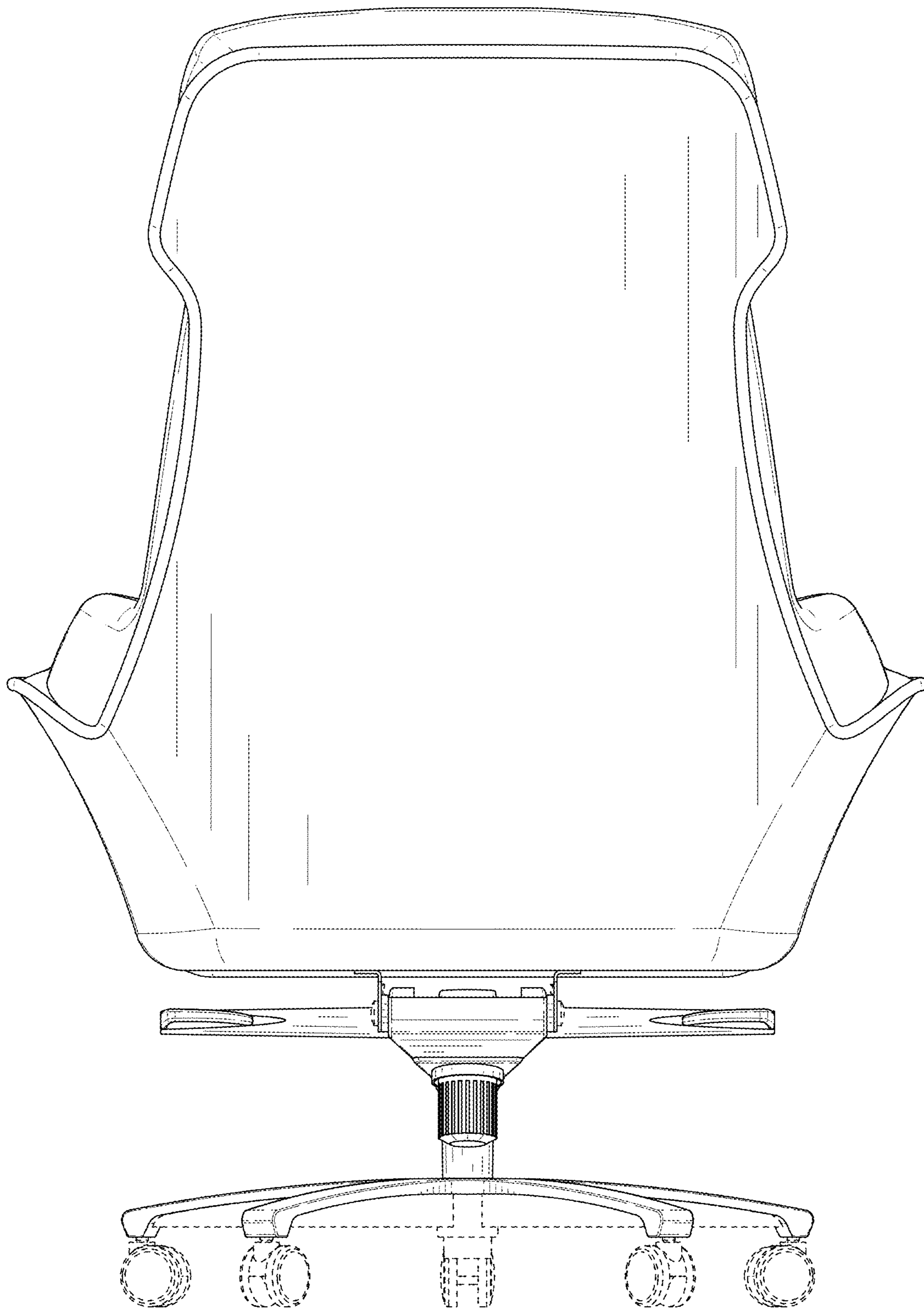


FIG. 4

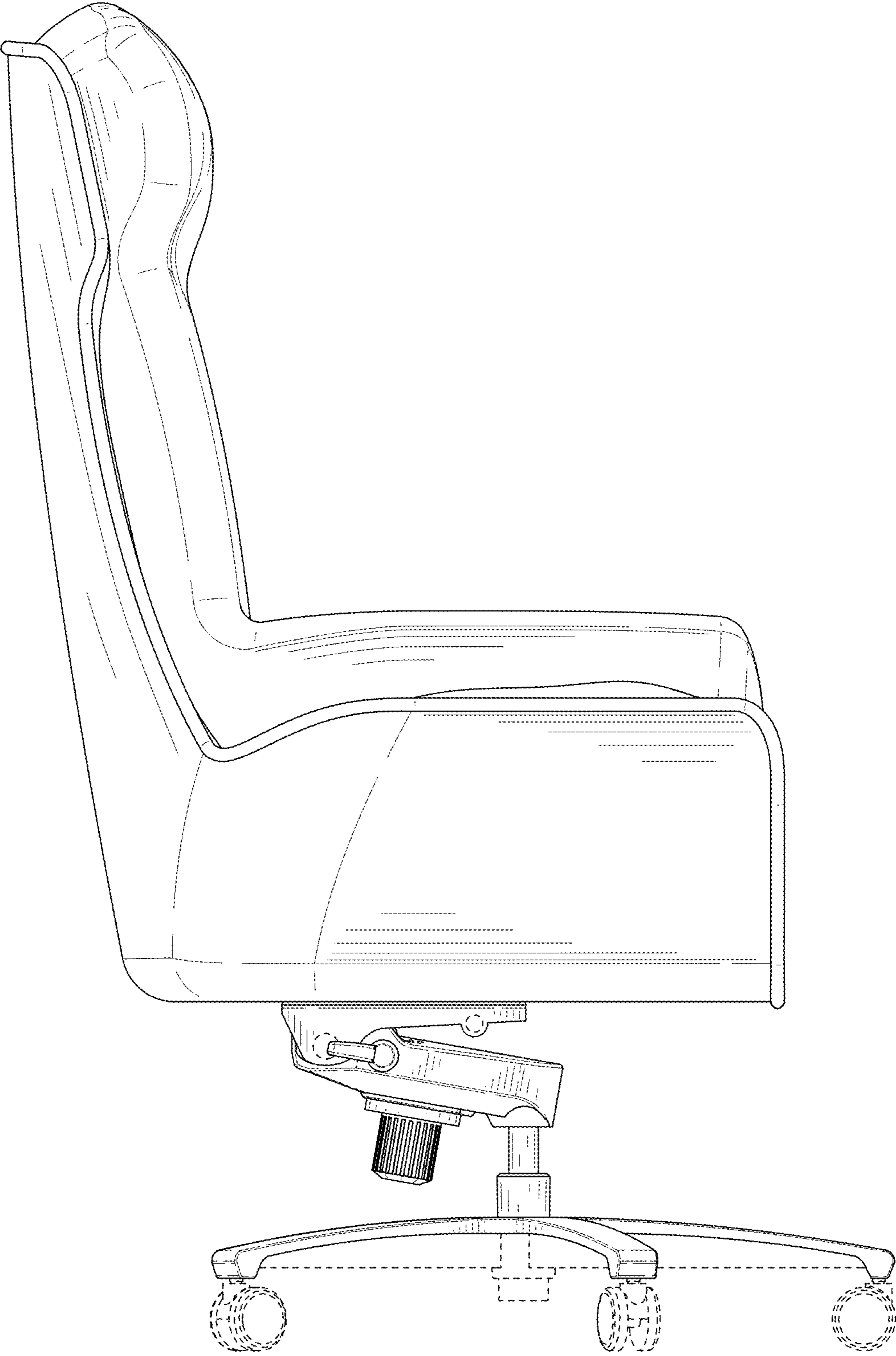


FIG. 5

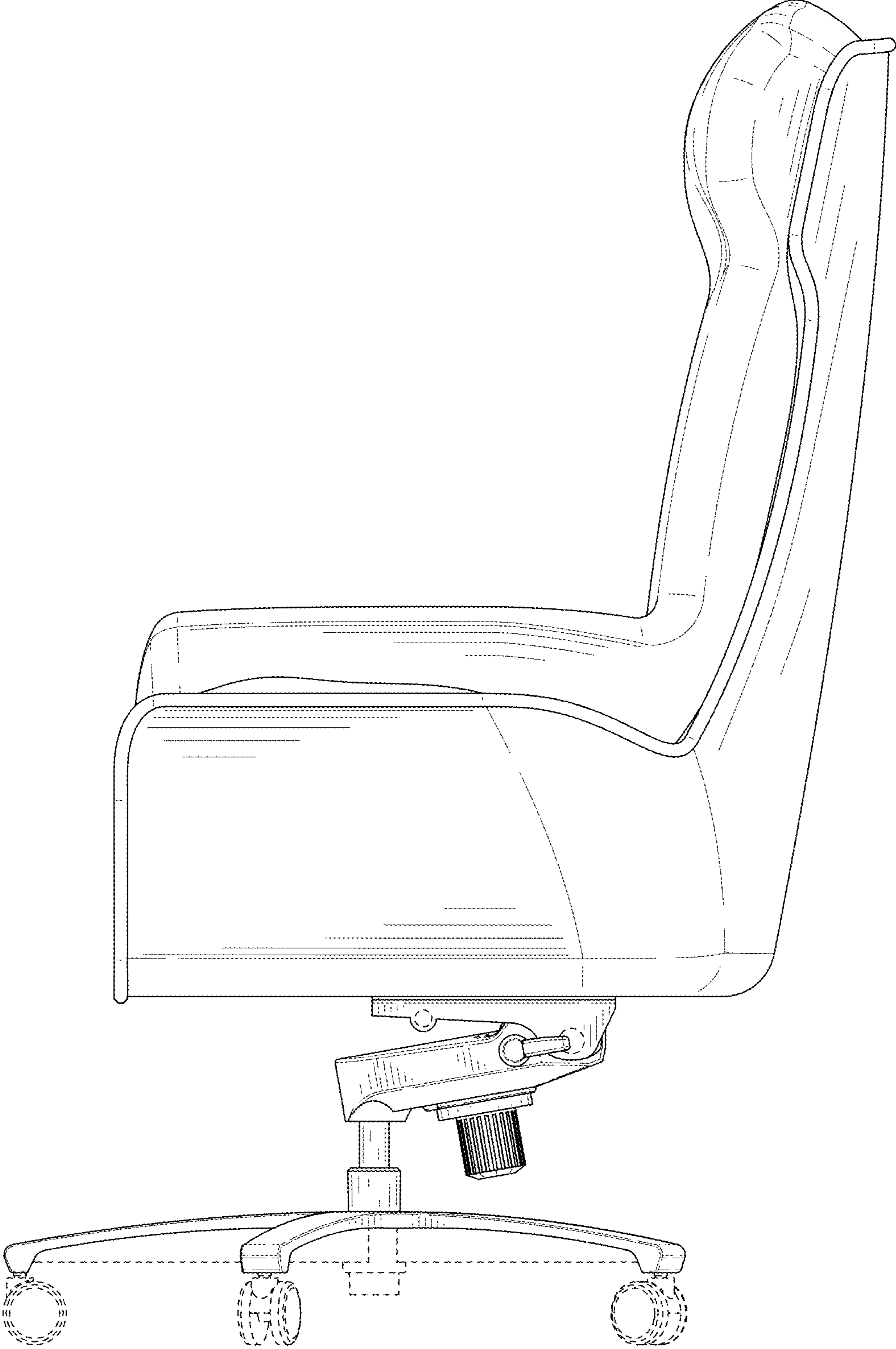


FIG. 6

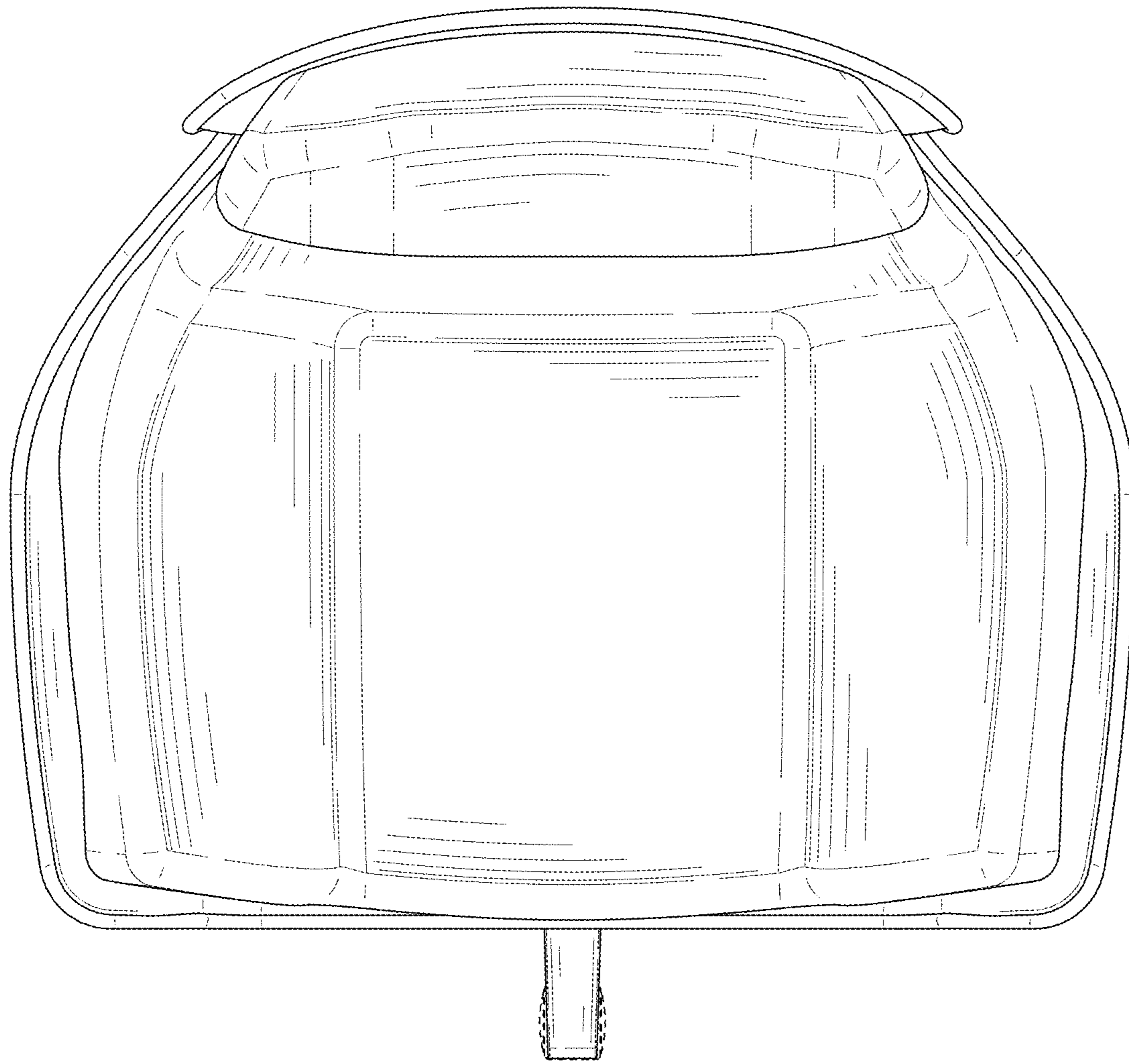


FIG. 7

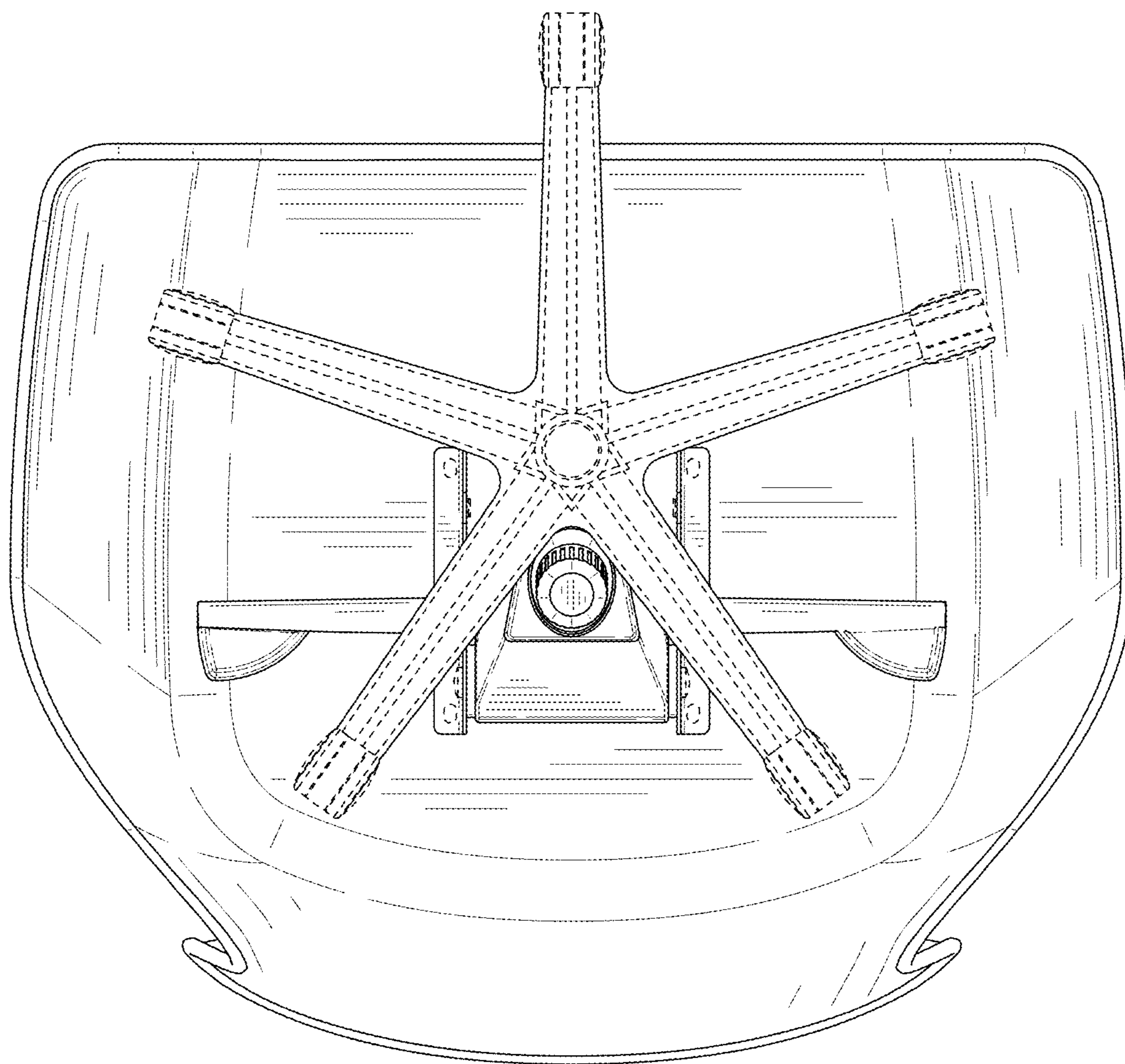


FIG. 8

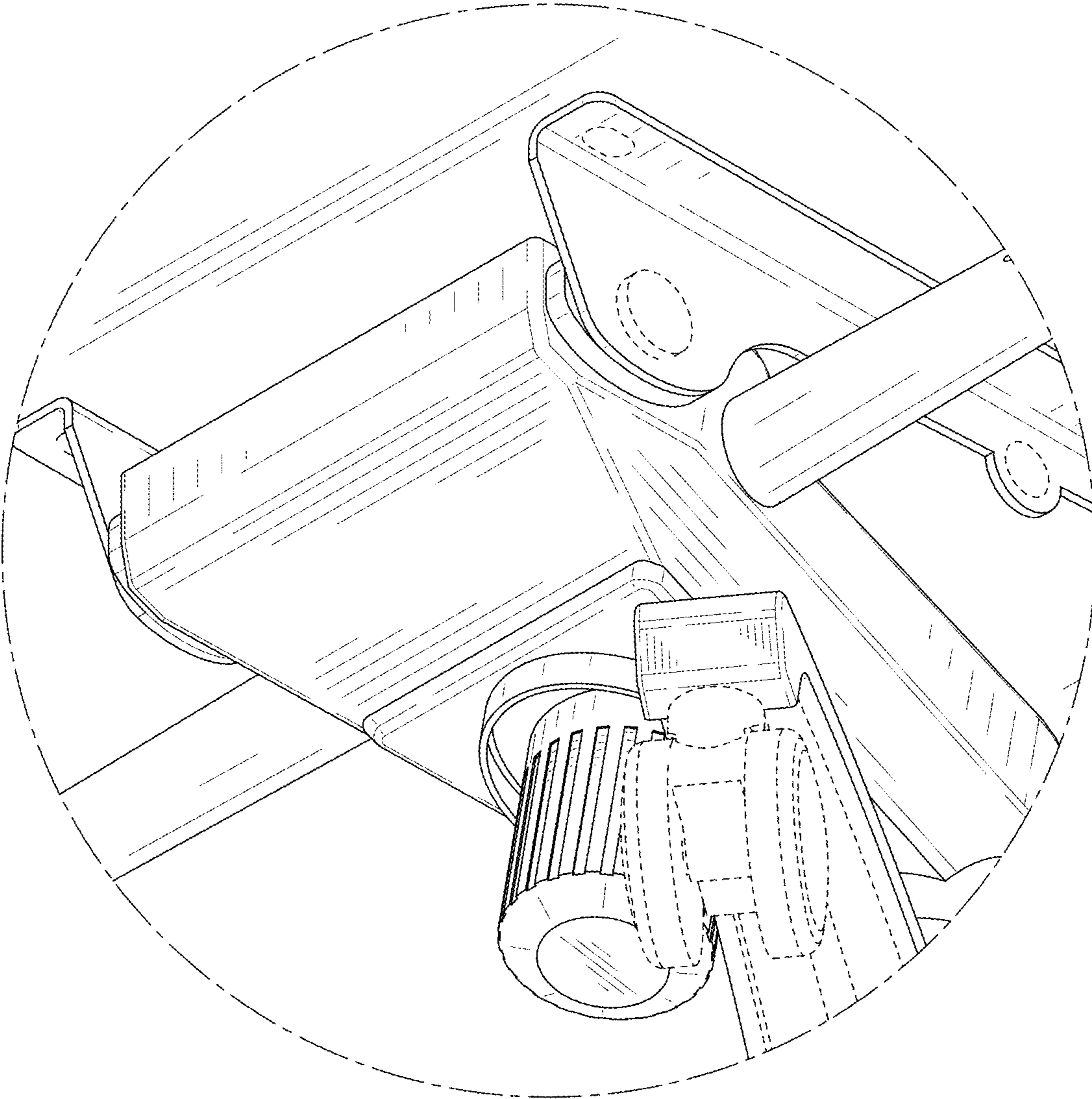


FIG. 9