



US00D980636S

(12) **United States Design Patent**
Zhang

(10) **Patent No.:** **US D980,636 S**

(45) **Date of Patent:** **** Mar. 14, 2023**

(54) **OFFICE CHAIR**

(71) Applicant: **FOSHAN GOLDSTAR INDUSTRIAL CO., LTD**, Foshan (CN)

(72) Inventor: **Chaoyu Zhang**, Huizhou (CN)

(73) Assignee: **FOSHAN GOLDSTAR INDUSTRIAL CO., LTD**, Foshan (CN)

(**) Term: **15 Years**

(21) Appl. No.: **29/809,137**

(22) Filed: **Sep. 26, 2021**

(51) **LOC (14) Cl.** **06-01**

(52) **U.S. Cl.**
USPC **D6/366**

(58) **Field of Classification Search**
USPC D6/349, 350, 356, 360, 362, 364, 365,
D6/366, 367, 371, 372, 374, 375, 376,
D6/379, 380, 716, 716.1
CPC A47C 1/02; A47C 1/022; A47C 1/024;
A47C 1/032; A47C 1/03255; A47C 3/18;
A47C 3/20; A47C 3/025; A47C 3/026;
A47C 7/18; A47C 7/24; A47C 7/36;
A47C 7/46; A47C 9/02; A47C 5/04;
A47C 5/06; A47C 5/08; A47C 5/10
See application file for complete search history.

(56) **References Cited**

U.S. PATENT DOCUMENTS

D468,122 S 1/2003 Schweikarth et al.
D665,590 S * 8/2012 Wagner D6/366

D689,314 S * 9/2013 Smith D6/716
D733,446 S * 7/2015 Izawa D6/366
9,084,487 B1 * 7/2015 Su A47C 1/03
D792,717 S * 7/2017 Webb D6/366
D800,472 S * 10/2017 Meda D6/366
D863,802 S * 10/2019 Wang D6/366
D869,213 S 12/2019 Romero et al.
D888,450 S * 6/2020 Zhou D6/366
D904,058 S * 12/2020 He D6/366
D913,004 S * 3/2021 Chen D6/366
D931,640 S * 9/2021 Feng D6/366
2018/0116405 A1 * 5/2018 Gerbino A47C 7/462

FOREIGN PATENT DOCUMENTS

CN 306110120 * 10/2020

* cited by examiner

Primary Examiner — R. Johnson

(57) **CLAIM**

The ornamental design for an office chair, as shown and described.

DESCRIPTION

FIG. 1 is a perspective view of an office chair showing my new design;
FIG. 2 is another perspective view thereof;
FIG. 3 is a front elevational view thereof;
FIG. 4 is a rear elevational view thereof;
FIG. 5 is a left side elevational view thereof;
FIG. 6 is a right side elevational view thereof;
FIG. 7 is a top plan view thereof; and,
FIG. 8 is a bottom plan view thereof.

1 Claim, 8 Drawing Sheets





FIG. 1



FIG. 2



FIG. 3



FIG. 4



FIG. 5



FIG. 6



FIG. 7

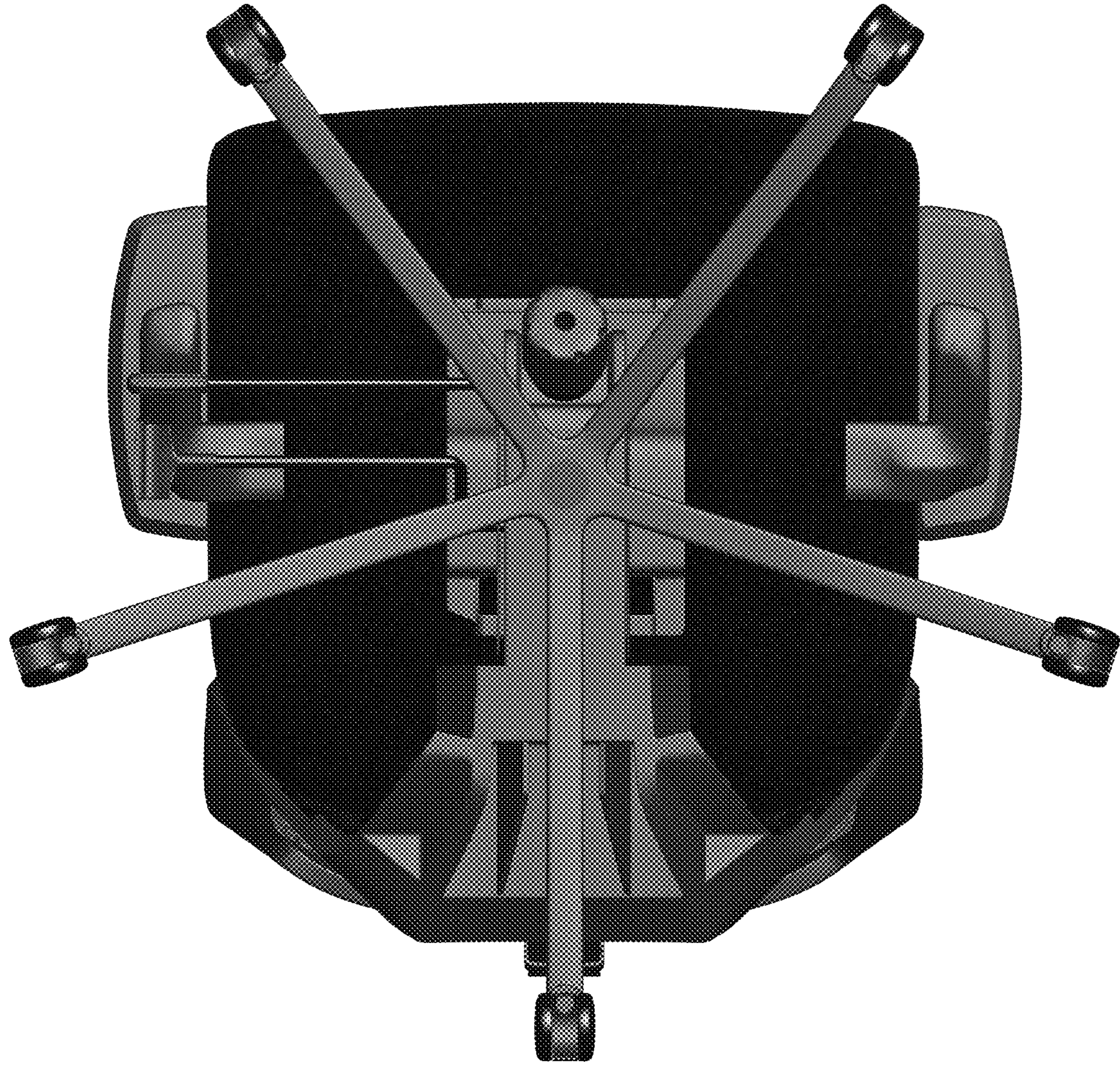


FIG. 8