



US00D980634S

(12) **United States Design Patent**
Bigolin

(10) **Patent No.:** **US D980,634 S**
(45) **Date of Patent:** **** Mar. 14, 2023**

(54) **SADDLE FOR CYCLES**
(71) Applicant: **SELLE ITALIA S.R.L.**, Treviso (IT)
(72) Inventor: **Giuseppe Bigolin**, Treviso (IT)
(73) Assignee: **SELLE ITALIA S.R.L.**, Treviso (IT)
(**) Term: **15 Years**

2009/0079237 A1* 3/2009 Riondato B62J 1/007
297/214
2015/0175228 A1* 6/2015 Yu B62J 1/002
297/202
2019/0185089 A1* 6/2019 Pruitt B62J 1/26
2021/0094641 A1* 4/2021 Li B62J 1/08
2021/0129931 A1* 5/2021 Bigolin B62J 1/08

(21) Appl. No.: **35/511,514**
(22) Filed: **Feb. 25, 2021**

OTHER PUBLICATIONS

Motang Bike Seat—Amazon, date first available—Apr. 25, 2021
https://www.amazon.com/Motang-Comfortable-Replaceable-Wear-Resistant-Waterproof/dp/B093F9YCZG/ref=sr_1_45?keywords=Most+Comfortable+Bicycle+Seat&qid=1643920295&sr=8-45 retrieved from the internet on Mar. 2022.*

(80) **Hague Agreement Data**
Int. Filing Date: **Feb. 25, 2021**
Int. Reg. No.: **DM/212973**
Int. Reg. Date: **Feb. 25, 2021**
Int. Reg. Pub. Date: **Mar. 12, 2021**

Selle Italia X1 X-Cross Saddle—Amazon, date first available—Oct. 1, 2016
<https://www.amazon.com/Selle-Italia-X1-X-Cross-Saddle/dp/B07W318MPS> retrieved from the internet on Mar. 2022.*

* cited by examiner

(51) **LOC (14) Cl.** **06-01**
(52) **U.S. Cl.**
USPC **D6/354**

Primary Examiner — Mary Ann Calabrese
(74) *Attorney, Agent, or Firm* — Thomas | Horstemeyer, LLP

(58) **Field of Classification Search**
USPC D65/334, 354–356
CPC B62J 1/00; B62J 1/002; B62J 1/005; B62J 1/02; B62J 1/06; B62J 1/08; B62J 1/0014; B62J 1/20; B62J 1/22; B62J 1/26
See application file for complete search history.

(57) **CLAIM**

The ornamental design for a saddle for cycles, as shown and described.

(56) **References Cited**

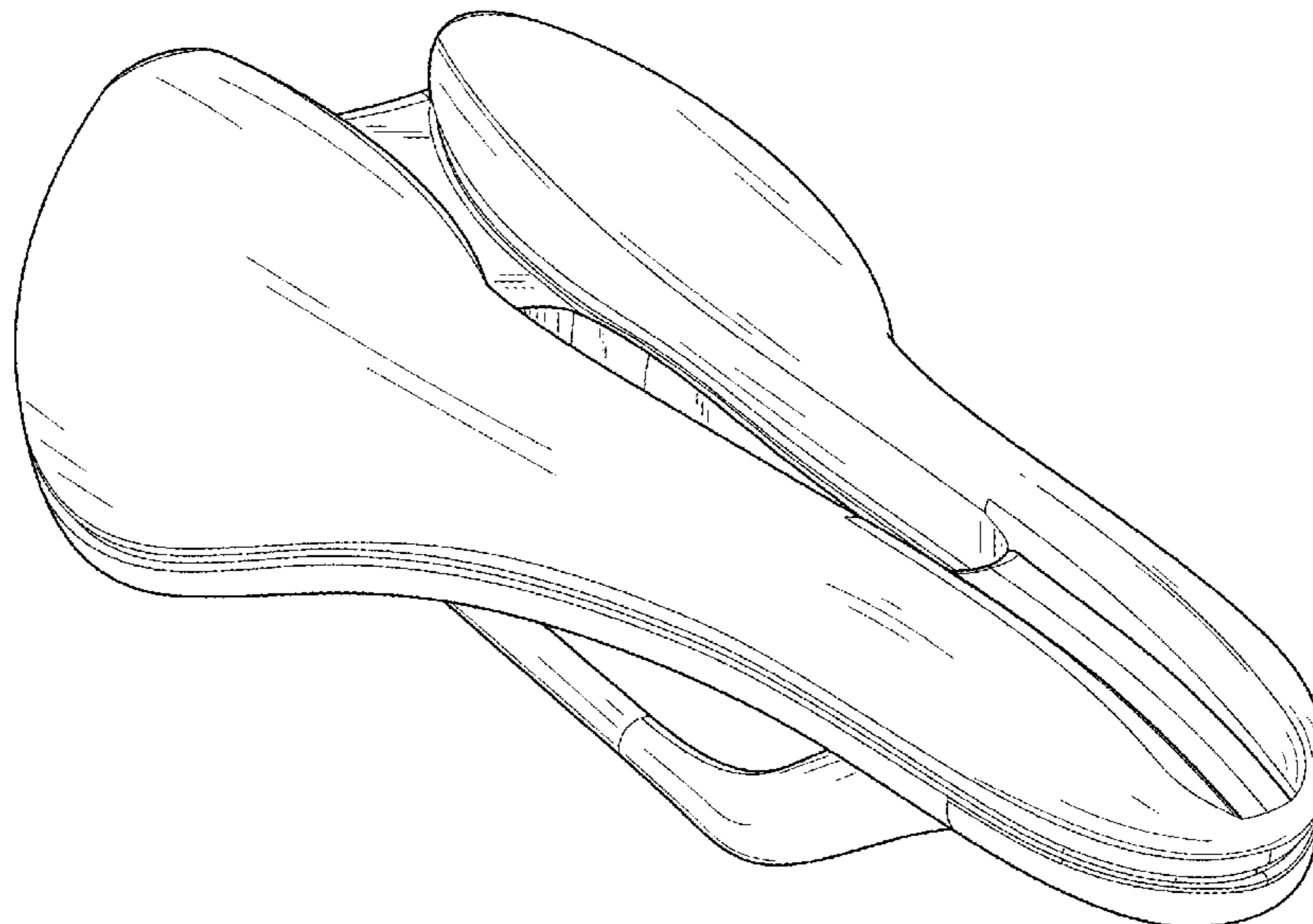
DESCRIPTION

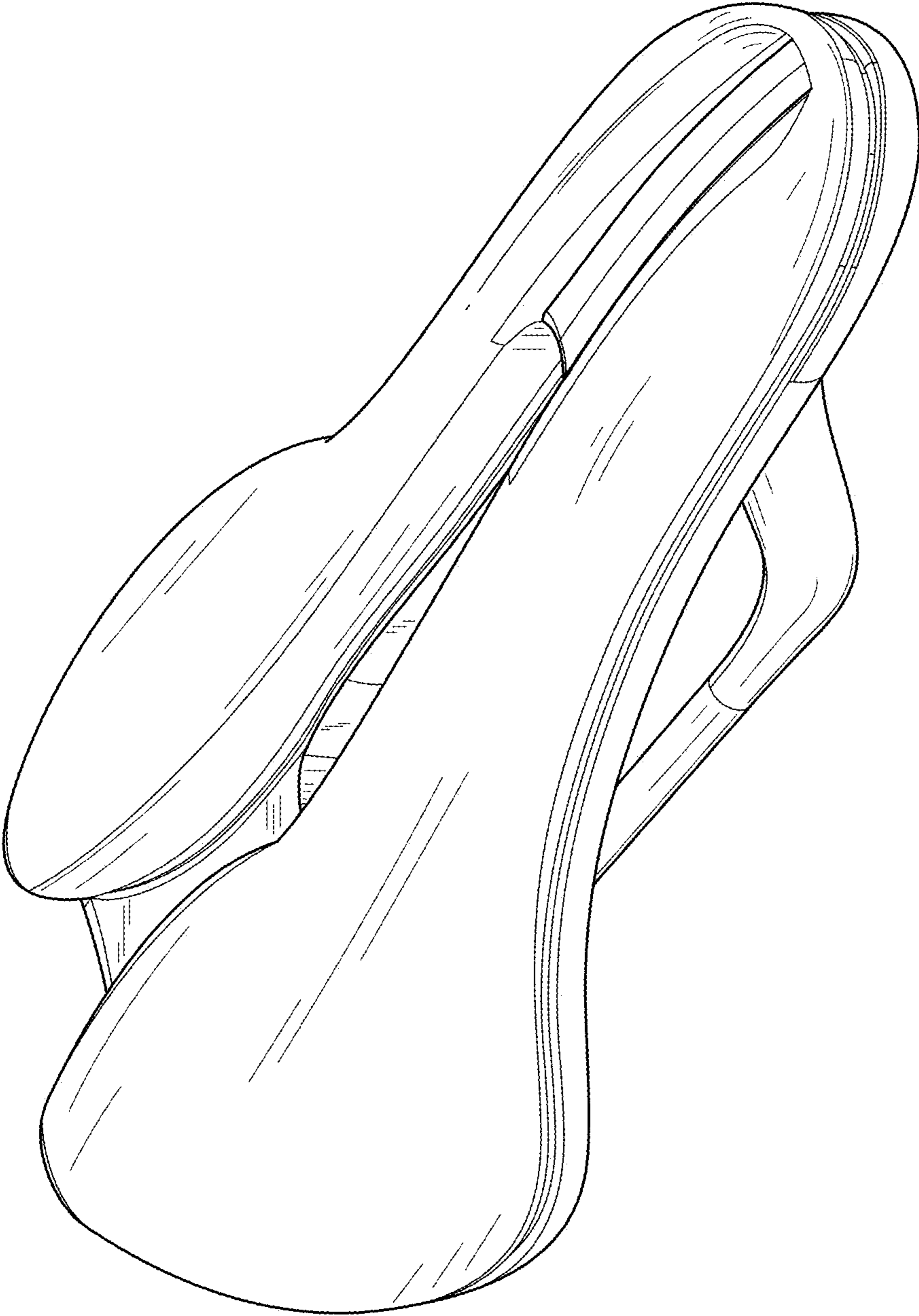
U.S. PATENT DOCUMENTS

8,480,169 B2* 7/2013 Bailie B62J 1/10
297/202
9,637,193 B1* 5/2017 Porter B62J 1/06
D846,897 S* 4/2019 Toll B62J 1/08
D6/354
D846,899 S* 4/2019 Toll B62J 1/10
D6/354
2003/0071498 A1* 4/2003 Yu B62J 1/00
297/215.16

1.1 is a top perspective view of a saddle for cycles, showing my new design;
1.2 is a left-side view thereof;
1.3 is a right-side view thereof;
1.4 is a front view thereof;
1.5 is rear view thereof; and
1.6 is a top view thereof; and
1.7 is a bottom view thereof.

1 Claim, 7 Drawing Sheets

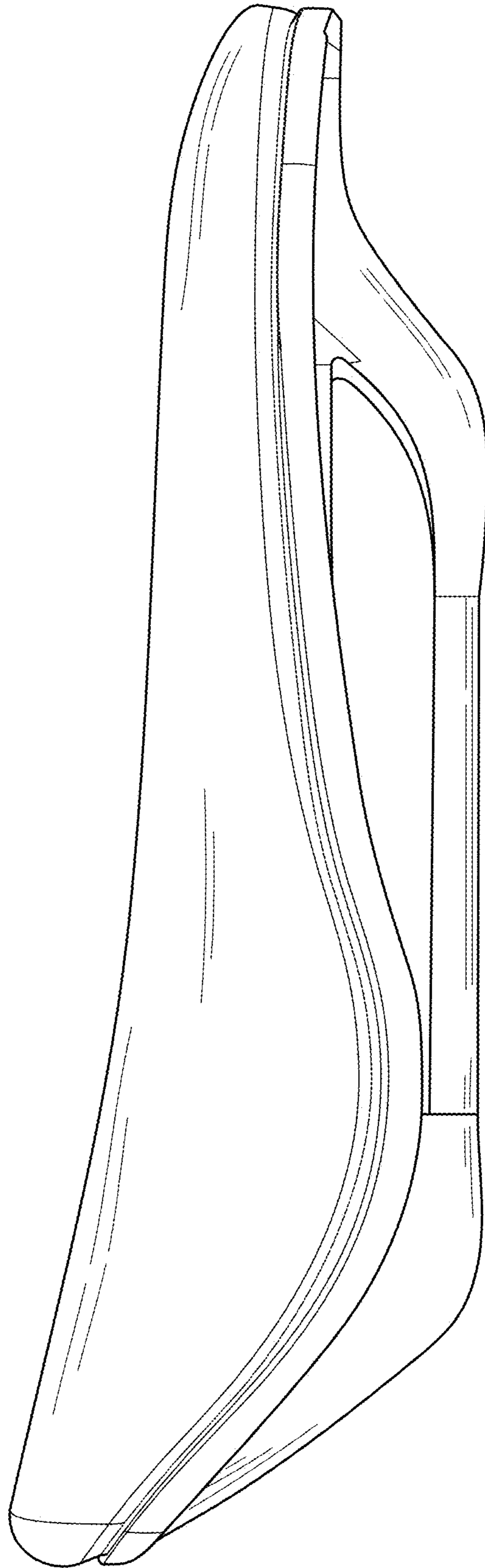




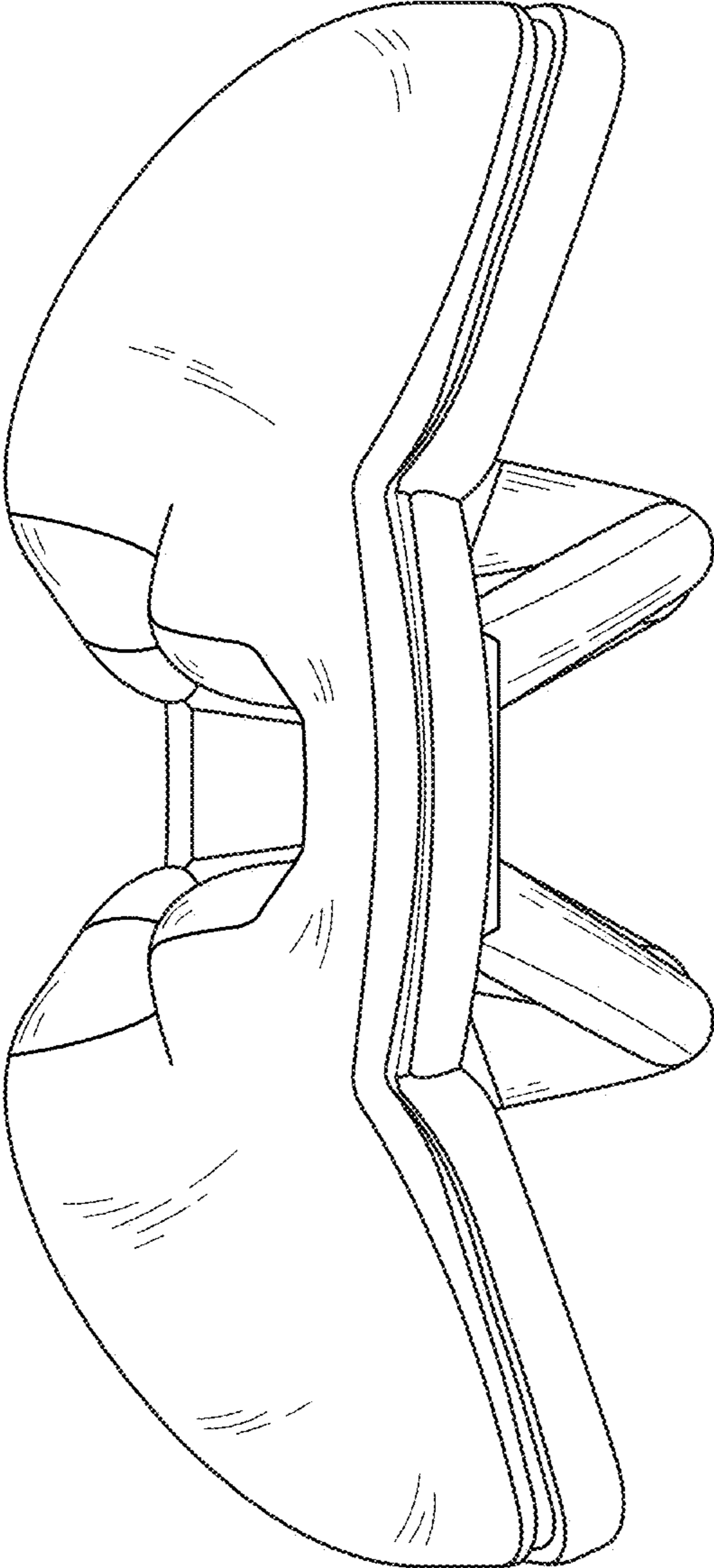
1.1



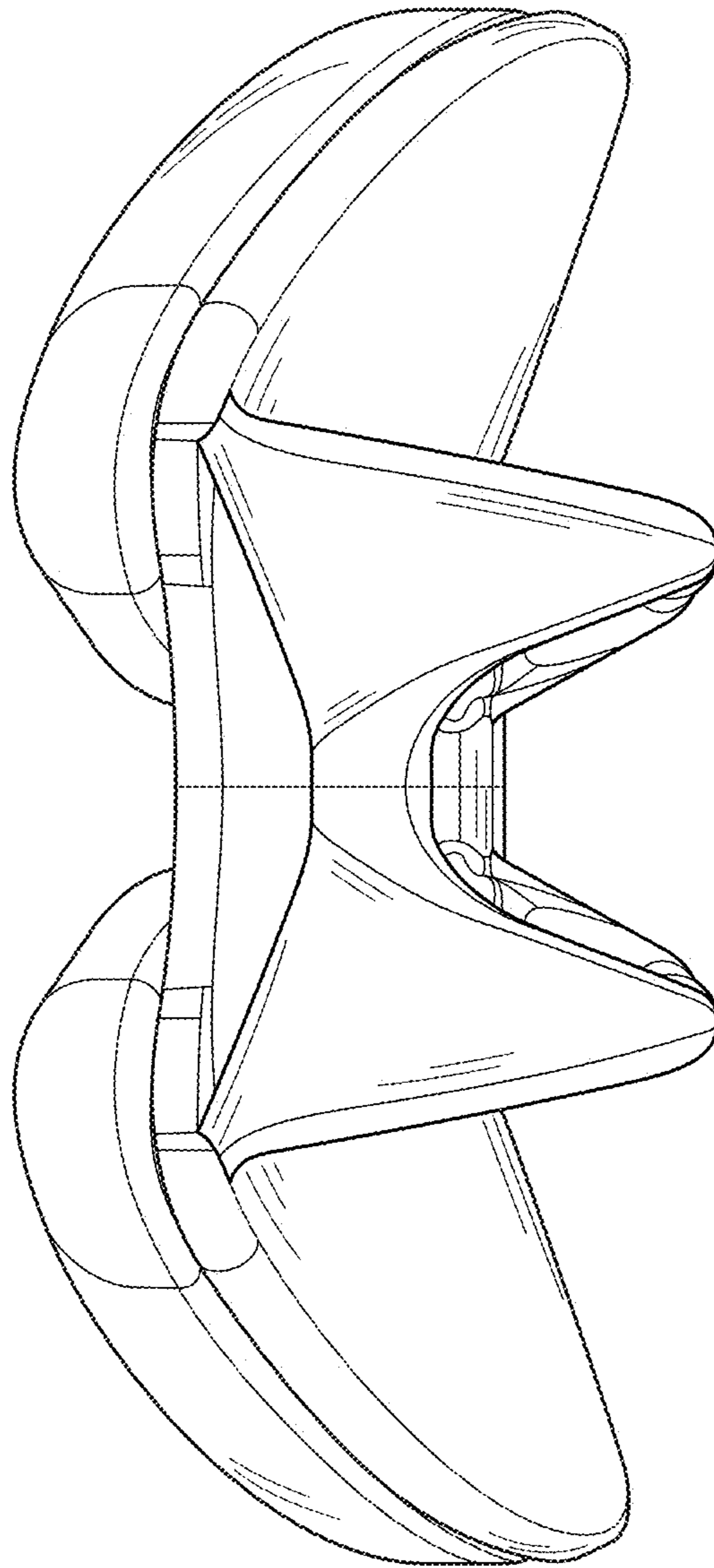
1.2



1.3



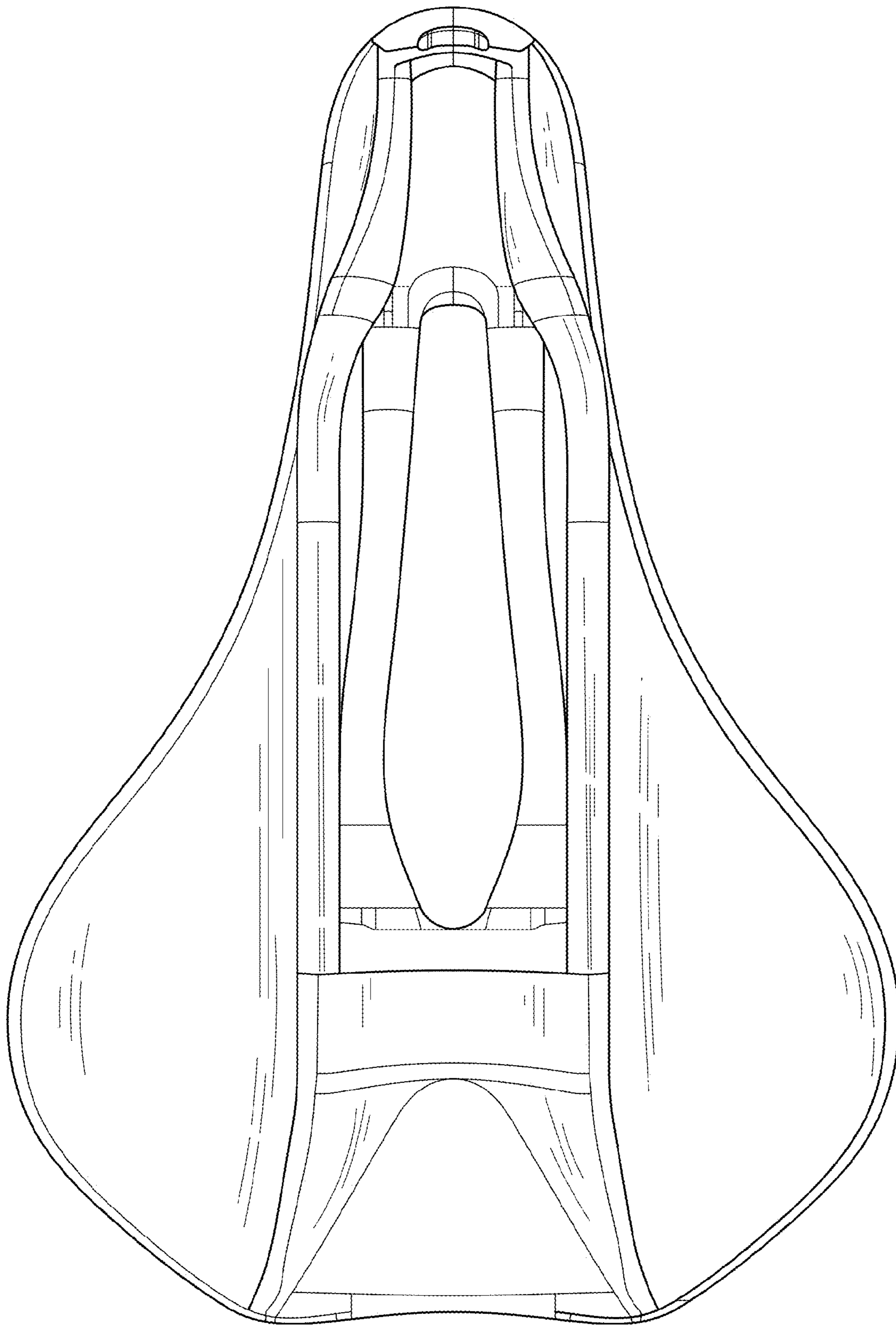
1.4



1.5



1.6



1.7