



US00D980633S

(12) **United States Design Patent**
Kurland

(10) **Patent No.:** **US D980,633 S**
(45) **Date of Patent:** **** Mar. 14, 2023**

- (54) **PICTURE HOLDER**
- (71) Applicant: **Matthew C. Kurland**, Lemont, IL (US)
- (72) Inventor: **Matthew C. Kurland**, Lemont, IL (US)
- (73) Assignee: **Photo Float, Inc.**, Bonita Spring, FL (US)
- (**) Term: **15 Years**
- (21) Appl. No.: **29/773,918**
- (22) Filed: **Mar. 12, 2021**
- (51) **LOC (14) Cl.** **06-07**
- (52) **U.S. Cl.**
USPC **D6/312**
- (58) **Field of Classification Search**
USPC D6/300, 301, 302, 303, 304, 307, 308,
D6/309, 310, 311, 312, 313, 314;
D20/10, 27, 42
CPC A47G 1/0616; A47G 1/142; A47G
2001/0694; A47G 1/06; A47G 1/0605;
A47G 1/0633; A47G 1/0638; A47G
1/0644; A47G 1/08; A47G 1/10; A47G
1/14; A47G 1/141; A47G 1/16; A47G
1/1606; A47G 1/1613; A47G 2001/0661;
A47G 2001/0672; A47G 2001/0688;
A47G 2001/148; G06F 1/1654
See application file for complete search history.

| | | | |
|--------------|---------|------------------|---------|
| D451,684 S | 12/2001 | Vincent | |
| D615,321 S * | 5/2010 | Scarcello | D6/672 |
| D647,143 S * | 10/2011 | Yi | D20/42 |
| D664,370 S * | 7/2012 | Suman | D6/310 |
| D723,628 S * | 3/2015 | Kanbar | D21/484 |
| D887,723 S | 6/2020 | Alexander et al. | |

OTHER PUBLICATIONS

3 Pack Acrylic Sign Holder [online], [site visited Aug. 25, 2022]. Available from internet, URL: <<https://www.amazon.com/dp/B0B4156DVB/>> (Year: 2022).*

* cited by examiner

Primary Examiner — Cynthia Ramirez
Assistant Examiner — Xavier Marti-Santos
(74) *Attorney, Agent, or Firm* — Leydig, Voit & Mayer, Ltd.

(57) **CLAIM**

The ornamental design for a picture holder, as shown and described.

DESCRIPTION

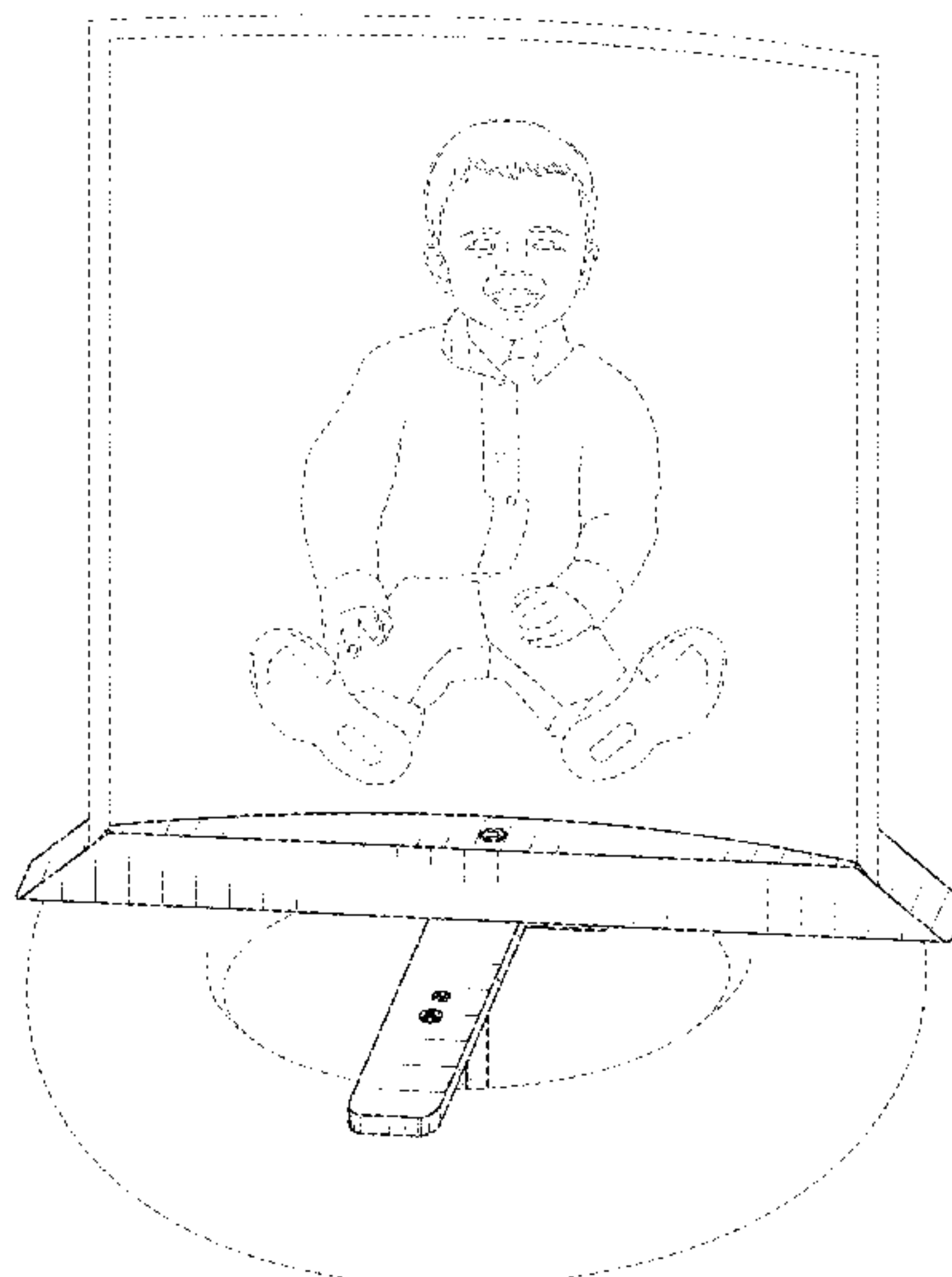
FIG. 1 is a front perspective view of a picture holder showing my new design;
FIG. 2 is a rear perspective view thereof;
FIG. 3 is a bottom perspective view thereof;
FIG. 4 is a left rear perspective view thereof;
FIG. 5 is a top plan view thereof;
FIG. 6 is a bottom plan view thereof;
FIG. 7 is a right side view thereof;
FIG. 8 is a left side view thereof;
FIG. 9 is a front elevational view thereof; and,
FIG. 10 is a rear elevational view thereof.
The broken lines in the figures used to show environment and form no part of the claimed design.
The broken lines in the figures are for the purpose of illustrating portions of the picture holder, which form no part of the claimed design.

1 Claim, 8 Drawing Sheets

(56) **References Cited**

U.S. PATENT DOCUMENTS

| | | | |
|---------------|--------|---------------|----------------------|
| D143,672 S * | 1/1946 | Romberg | D6/314 |
| 2,449,911 A * | 9/1948 | Roth | A47G 1/14 40/539 |
| 3,956,837 A * | 5/1976 | Itano | A47G 1/142 40/745 |
| D249,435 S | 9/1978 | Ishmael | |
| D308,543 S * | 6/1990 | Hunter | D20/10 |
| D350,566 S * | 9/1994 | Pearson | D20/40 |
| D395,554 S * | 6/1998 | Perkins, Jr. | D6/300 |
| D445,264 S | 7/2001 | Dutour et al. | |



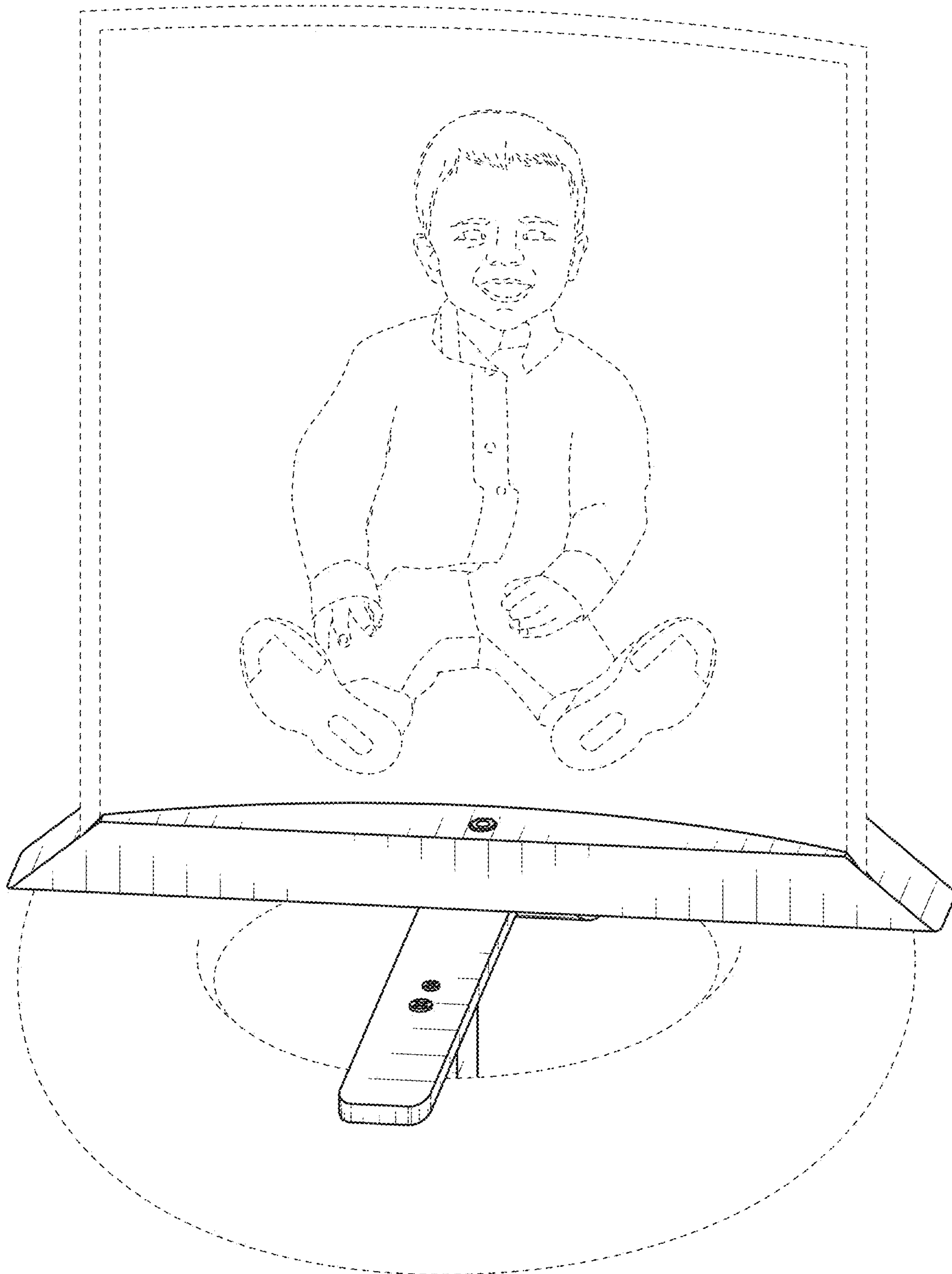


FIG. 1

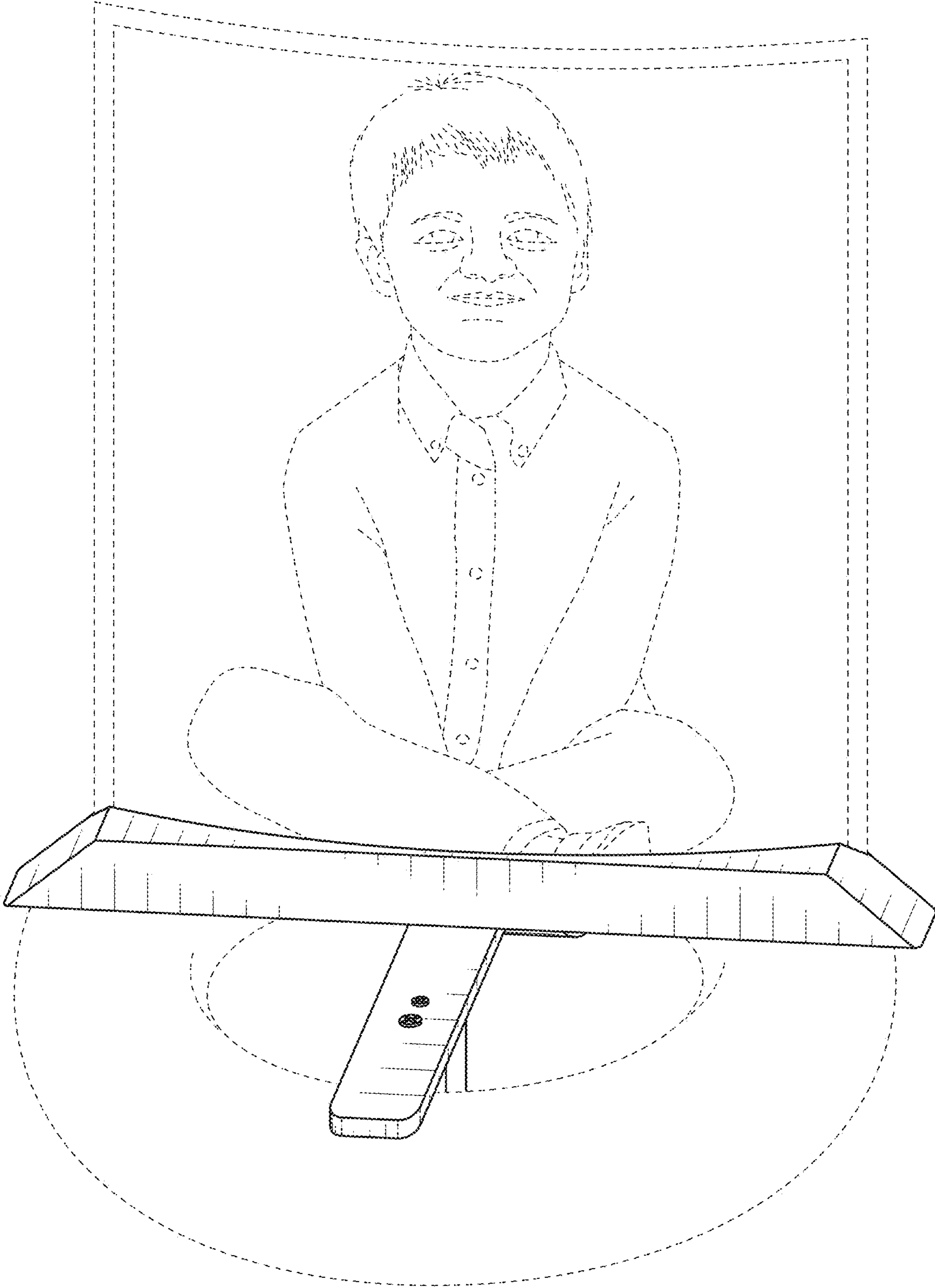


FIG. 2

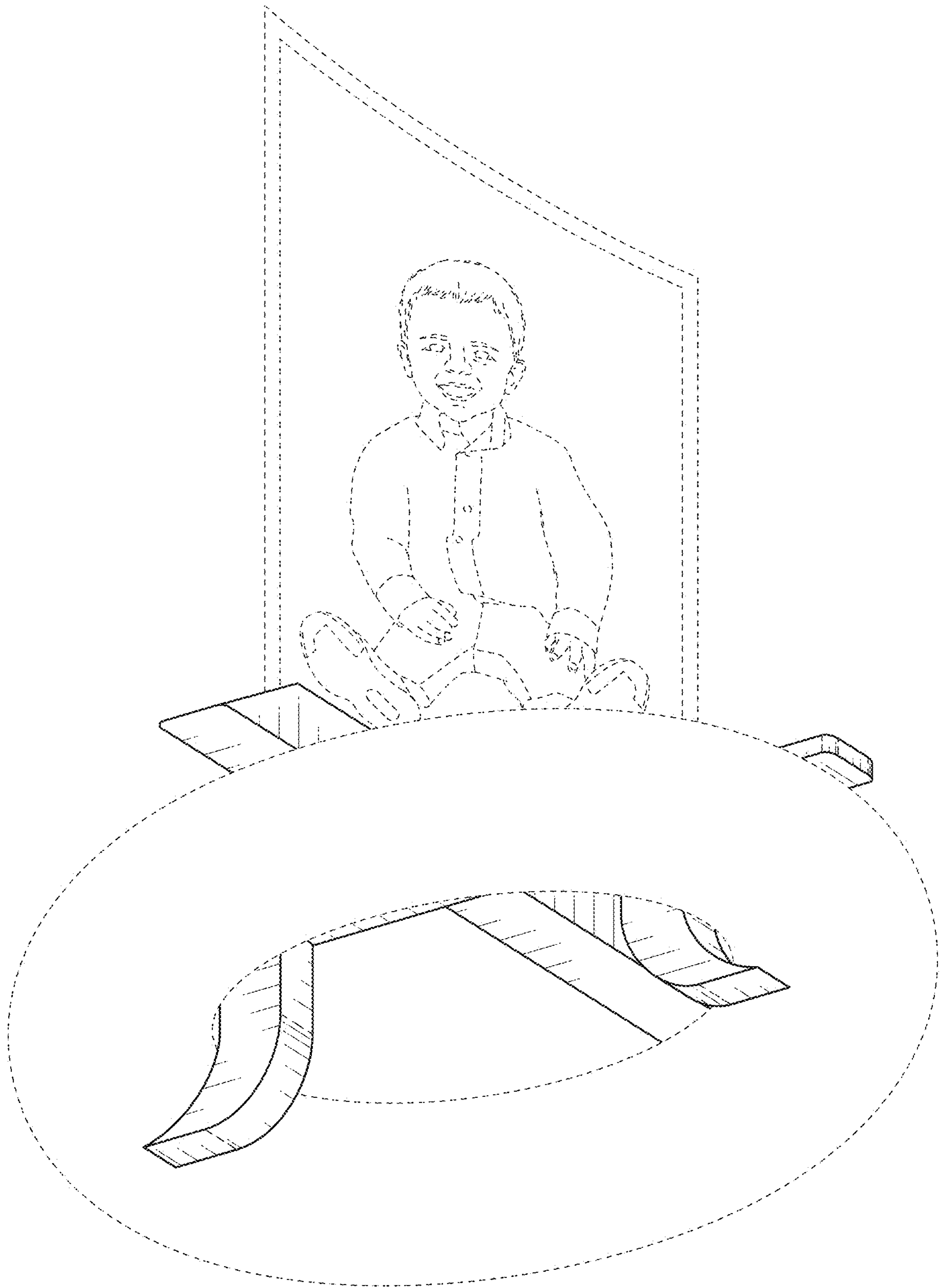


FIG. 3

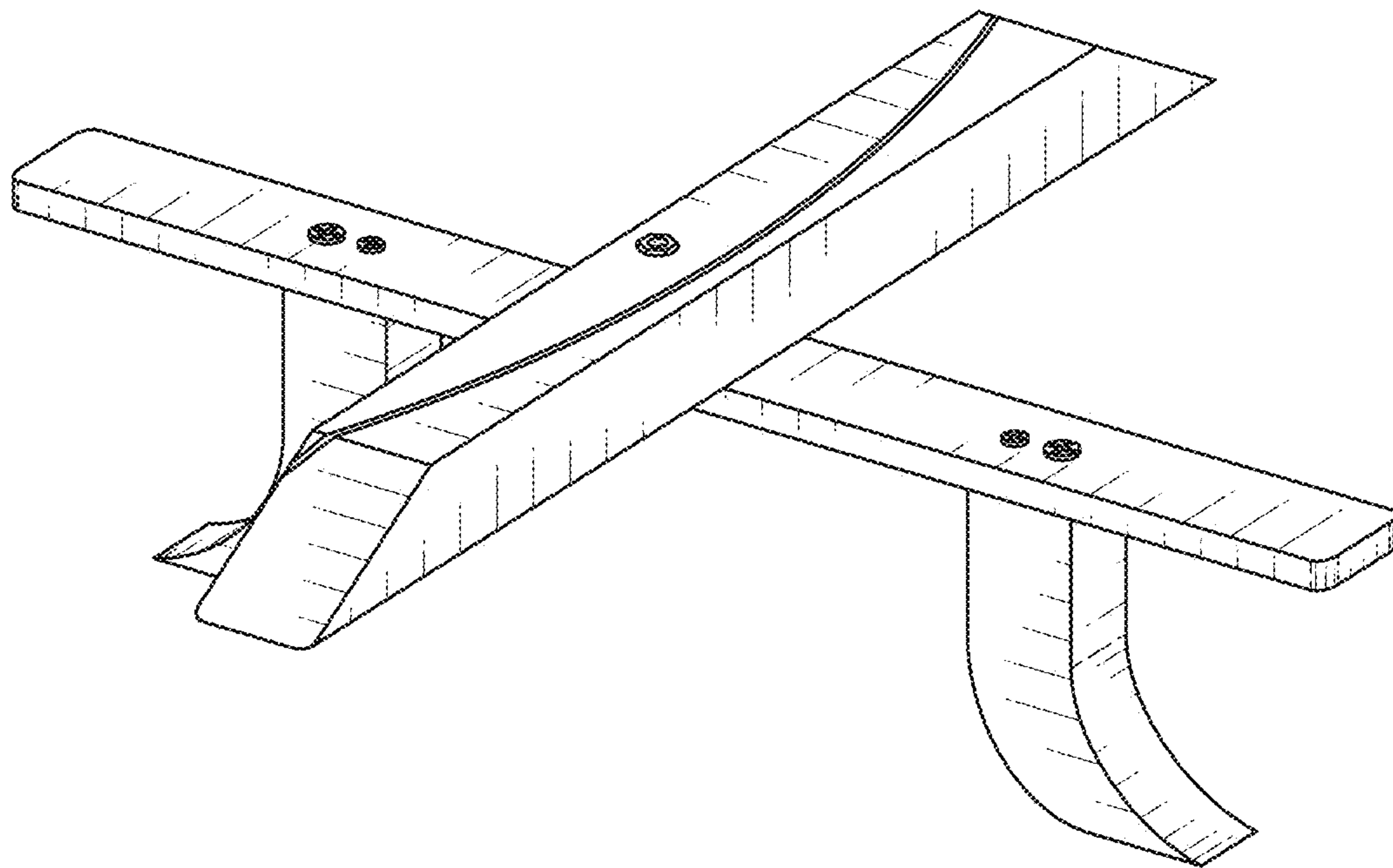


FIG. 4

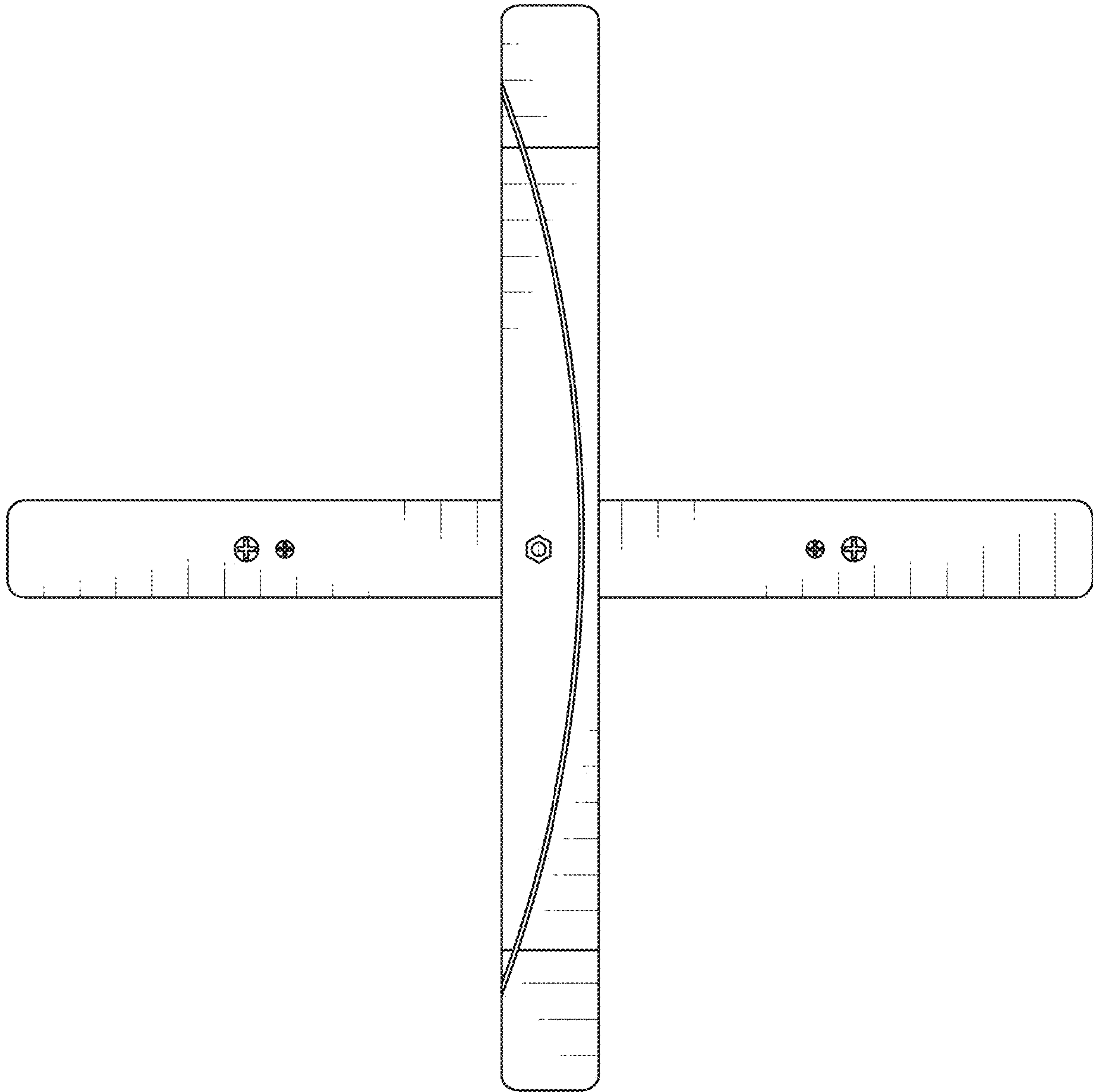


FIG. 5

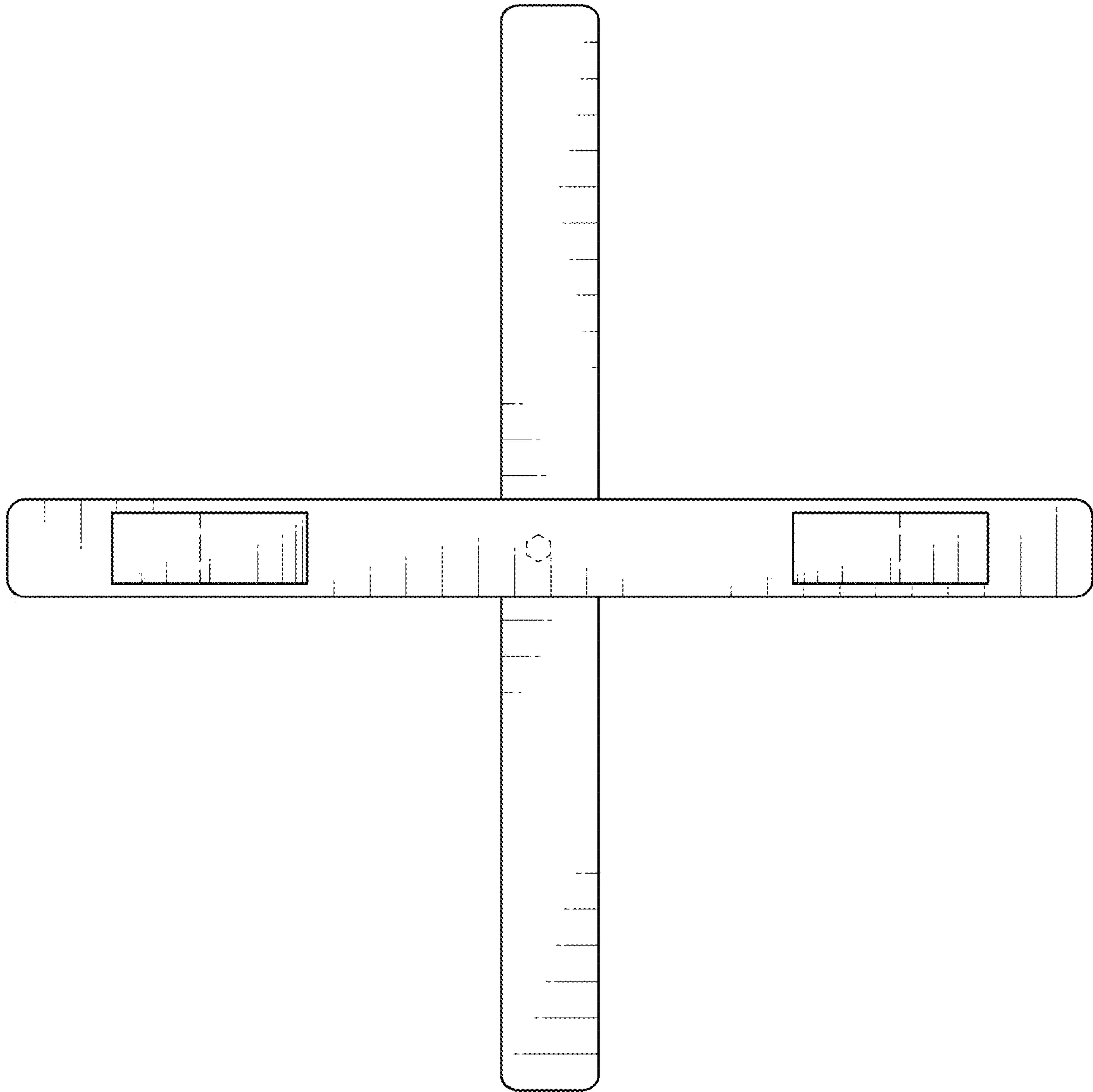


FIG. 6

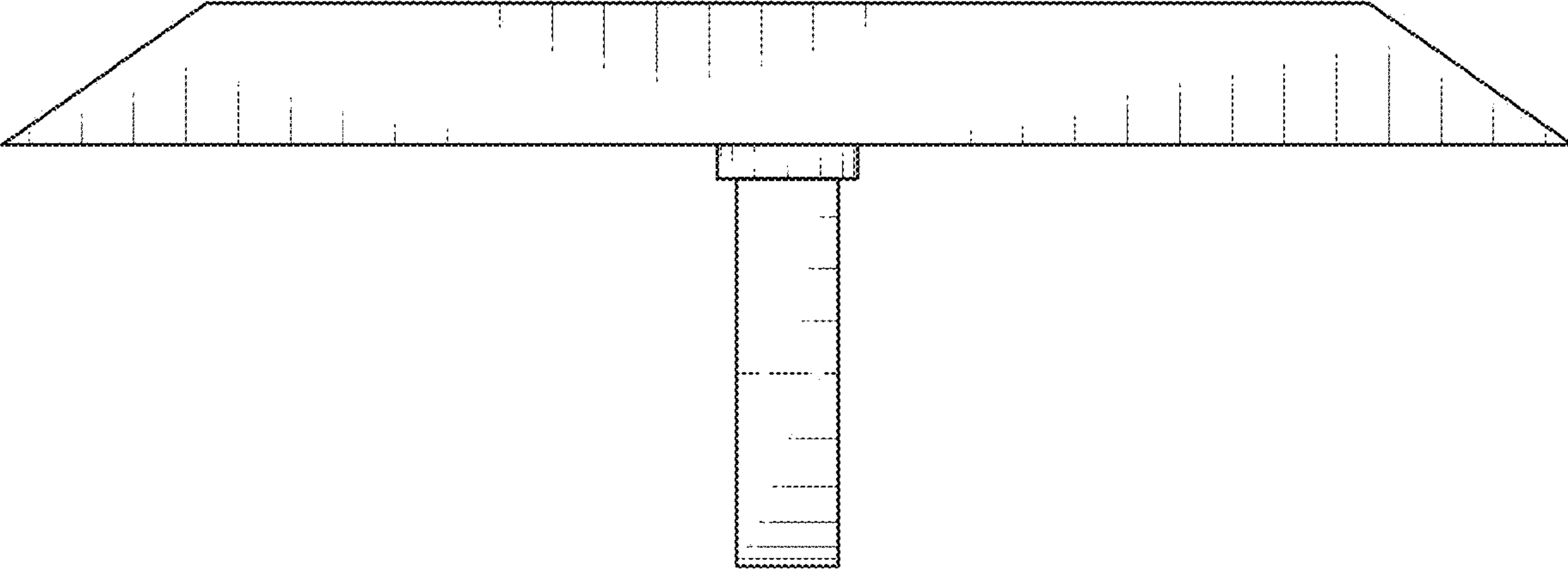


FIG. 7

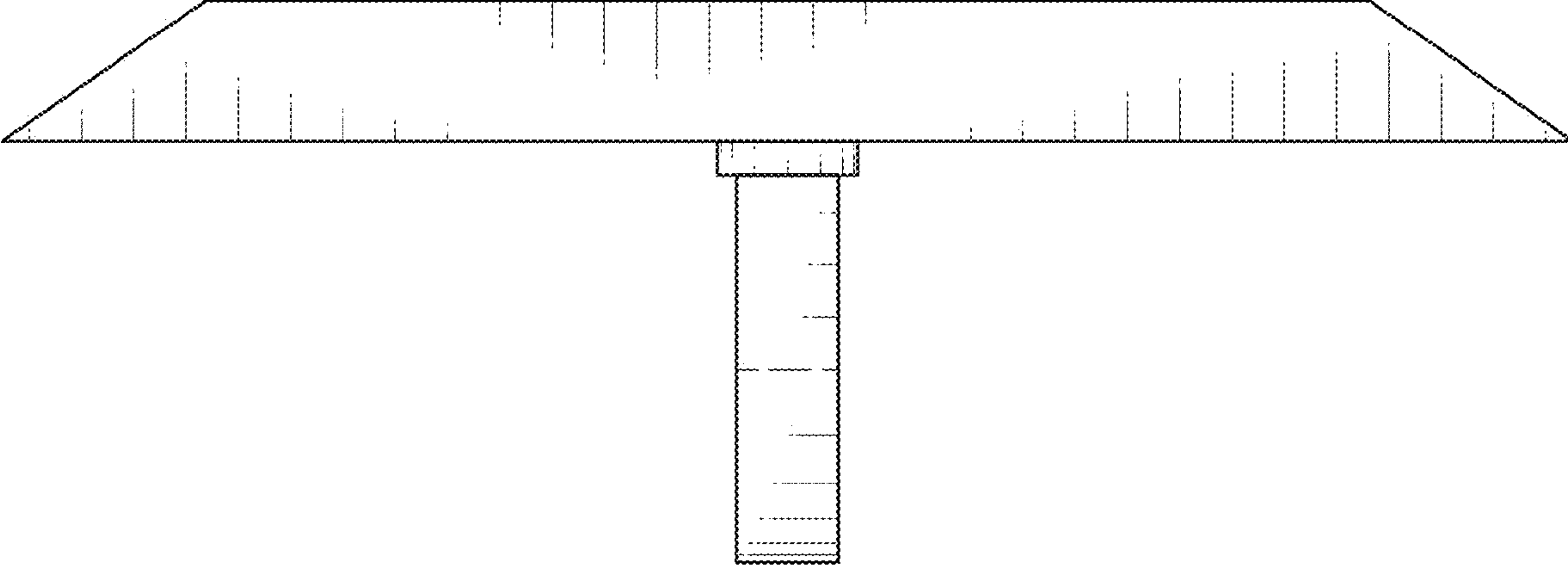


FIG. 8

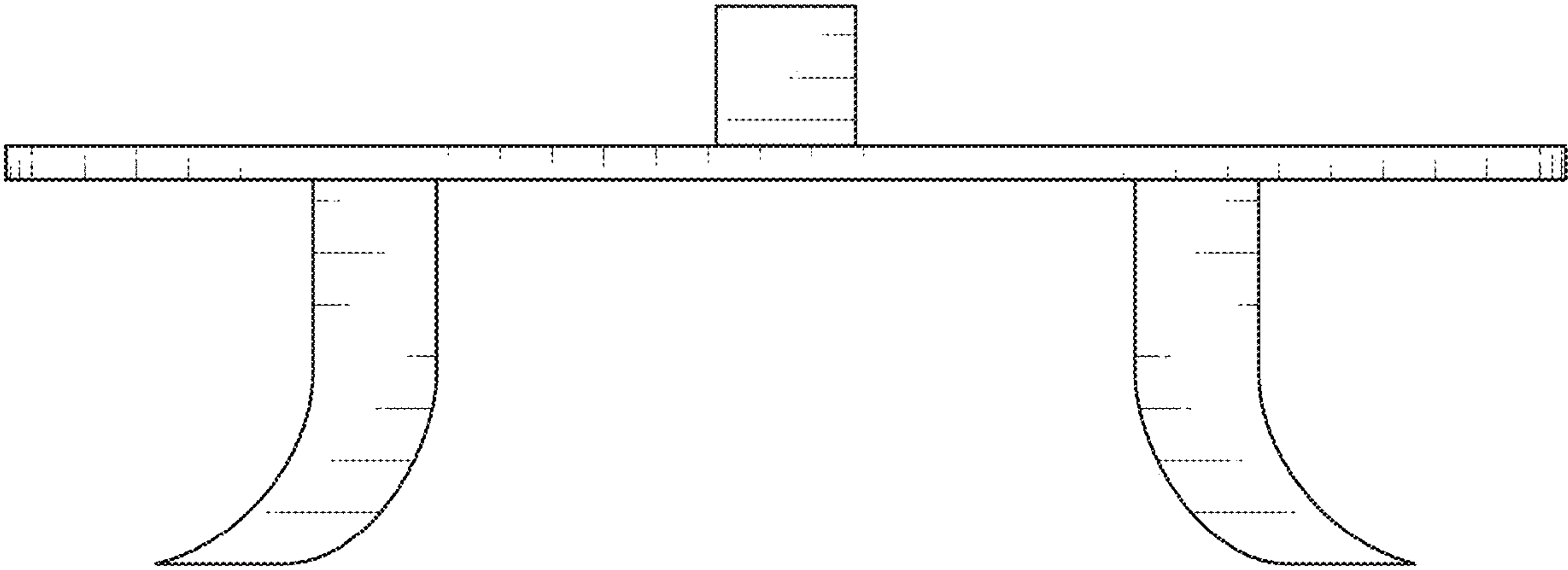


FIG. 9

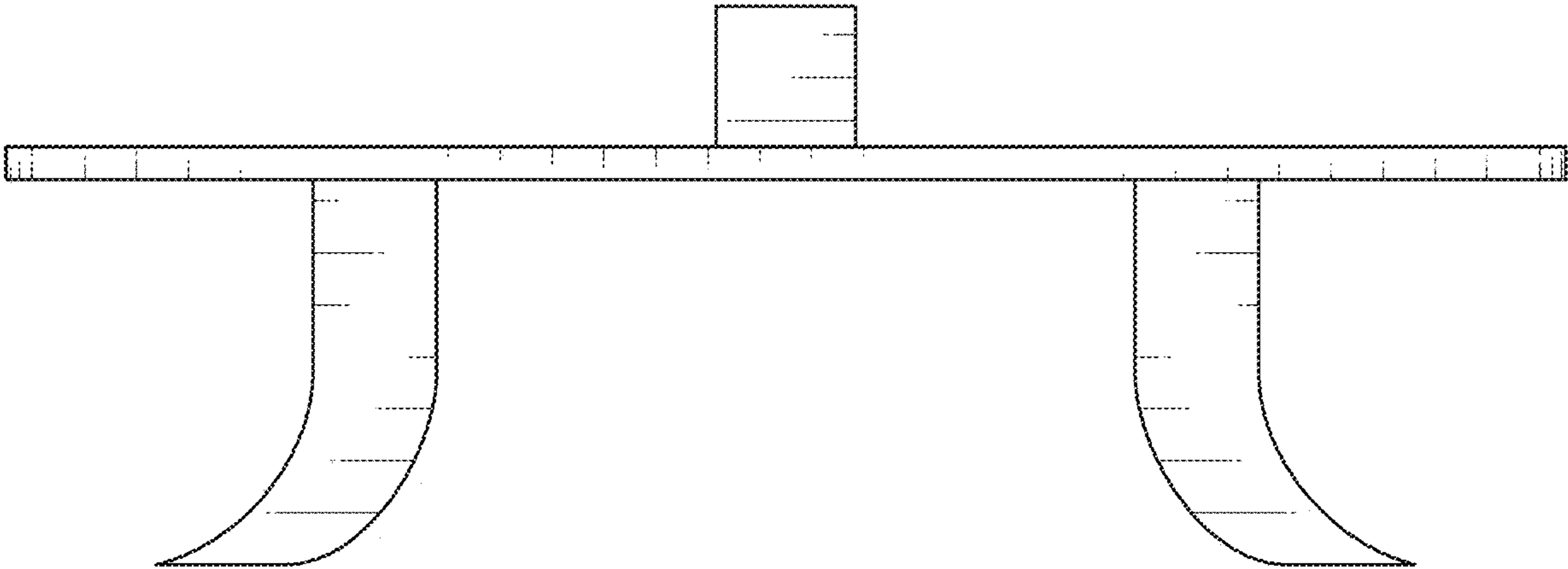


FIG. 10