



US00D980632S

(12) **United States Design Patent**
Smith

(10) **Patent No.:** **US D980,632 S**
(45) **Date of Patent:** **** Mar. 14, 2023**

- (54) **AC VENT ATTACHED PICTURE FRAME**
- (71) Applicant: **Lester Smith**, Winston Salem, NC (US)
- (72) Inventor: **Lester Smith**, Winston Salem, NC (US)
- (**) Term: **15 Years**
- (21) Appl. No.: **29/696,017**
- (22) Filed: **Jun. 25, 2019**
- (51) **LOC (14) Cl.** **06-07**
- (52) **U.S. Cl.**
USPC **D6/300**
- (58) **Field of Classification Search**
USPC D6/300-303
CPC A47G 1/06
See application file for complete search history.

D759,980 S *	6/2016	Toth	D6/300
D775,475 S *	1/2017	Janica	D6/310
D779,834 S *	2/2017	Ryan	D6/300
D829,449 S *	10/2018	Orsi	D6/300
D840,248 S *	2/2019	Vrabie	D9/721
D851,172 S *	6/2019	Vaiden, II	D19/113
D909,076 S *	2/2021	Smith	D6/300
D961,943 S *	8/2022	Chen	
2010/0000133 A1	1/2010	Kent	
2022/0354278 A1*	11/2022	Saavedra	A47G 1/06

(56) **References Cited**

U.S. PATENT DOCUMENTS

4,391,053 A	7/1983	Anthony	
D294,999 S *	4/1988	Komamura	D11/164
D335,394 S *	5/1993	Chamlian	D6/310
D339,238 S *	9/1993	Hamilton	D6/310
5,343,642 A *	9/1994	Magnusson	A47G 1/06 403/292
6,029,384 A	2/2000	McLaughlin	
6,163,997 A	12/2000	Deralas	
D451,683 S *	12/2001	Vincent	D6/300
D464,050 S *	10/2002	Mori	D14/375
D479,742 S	9/2003	Hollingsworth	
D543,364 S *	5/2007	Fleischer	D6/300
D567,692 S *	4/2008	Meyers	D10/118
D588,449 S *	3/2009	Bova	D9/418
D594,236 S *	6/2009	Sidiropoulos	D14/450
D631,263 S *	1/2011	Tang	D14/371
D654,703 S *	2/2012	LeMay	D6/300
D658,898 S *	5/2012	DiNello	D6/300
8,739,442 B2	6/2014	Shape	
D744,761 S *	12/2015	Hellbusch	D6/311
D747,109 S *	1/2016	Shay-Puetzer	D6/300

FOREIGN PATENT DOCUMENTS

KR	301159451.0000	*	4/2022
WO	2007117388		10/2007

OTHER PUBLICATIONS

Car vent photo frame, earliest date available unknown, [online], [site visited Nov. 11, 2022]. Available from Internet, <URL: https://www.amazon.com/s?k=car+vent+photo+frame&prefix=car+vent+fram%2Caps%2C170&ref=nb_sb_ss_pltr-ranker-acceptance_2_13> (Year: 2022).*

(Continued)

Primary Examiner — Sanjeev Paul

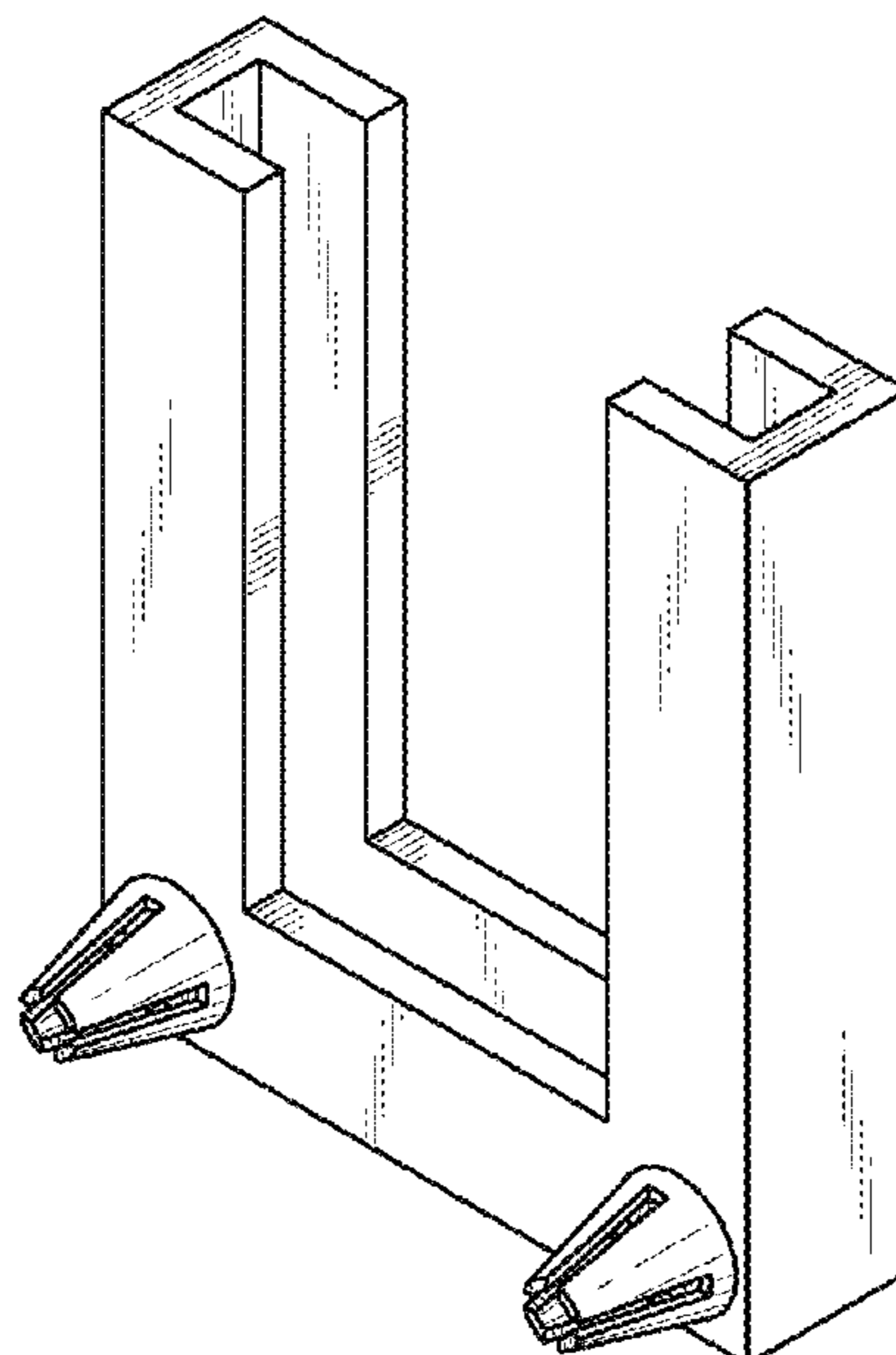
(57) **CLAIM**

I claim the ornamental design for an AC vent attached picture frame, as shown and described.

DESCRIPTION

FIG. 1 is a rear view of the AC vent attached picture frame. FIG. 2 is a front view of the claimed design. FIG. 3 is a right view of the claimed design. FIG. 4 is a left side view of the claimed design. FIG. 5 is a top view of the claimed design. FIG. 6 is a bottom view of the claimed design; and, FIG. 7 is a perspective view of the claimed design.

1 Claim, 3 Drawing Sheets



(56)

References Cited

OTHER PUBLICATIONS

Google Term Search: 'car vent photo frame', [site visited Nov. 11, 2022] <URL: https://www.google.com/search?q=car+vent+photo+frame&sxsrf=ALiCzsYyh72PDTW3ldSWJrwUM8Y4JDoGxQ:1668217493282&source=lnms&tbm=isch&sa=X&ved=2ahUKEwj4gOG4wqf7AhXYM1kFHQ7aBFoQ_AUoAnoECAEQBA&biw=1920&bih=1057&dpr=1> (Year: 2022).*

* cited by examiner

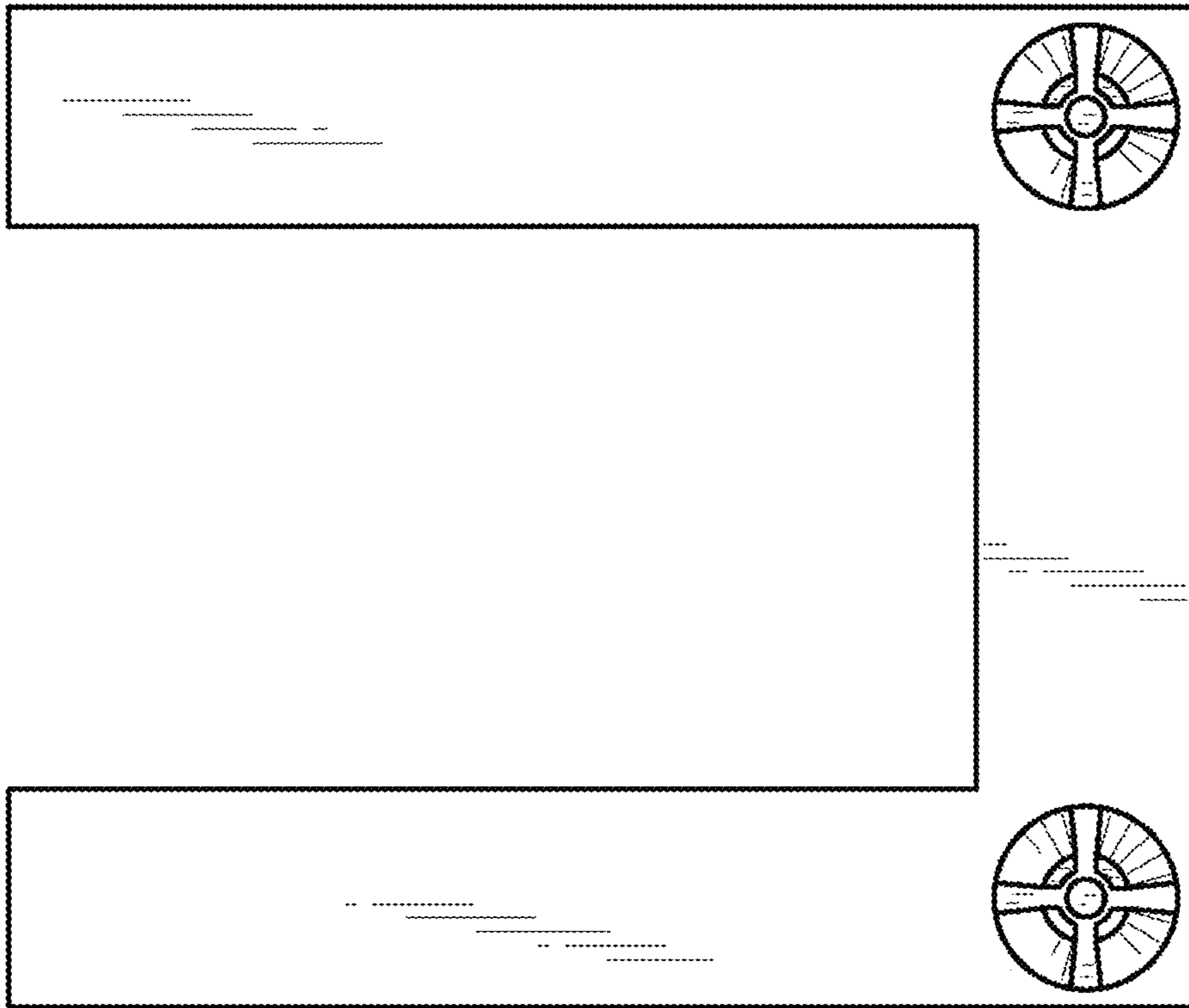


FIG. 1

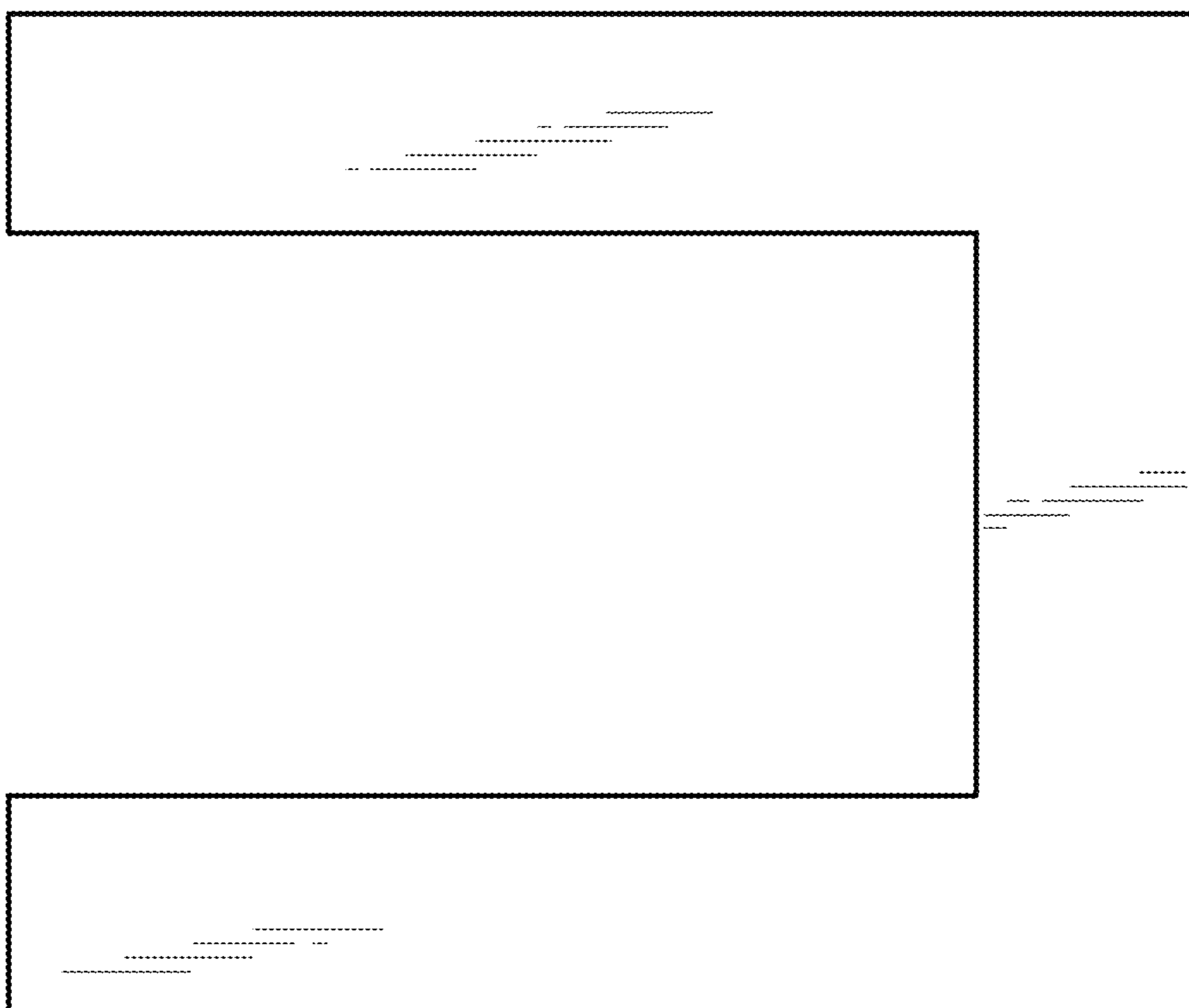


FIG. 2

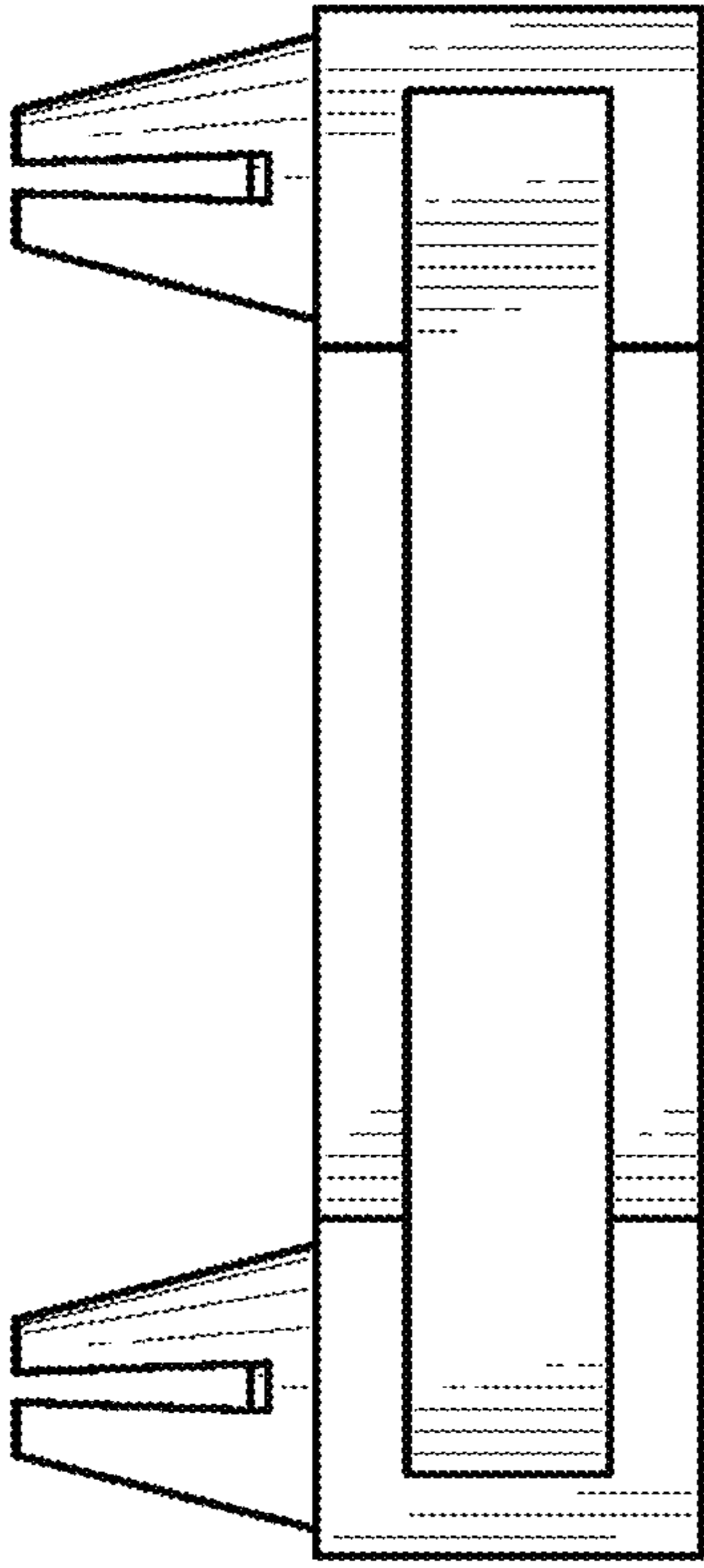


FIG. 5

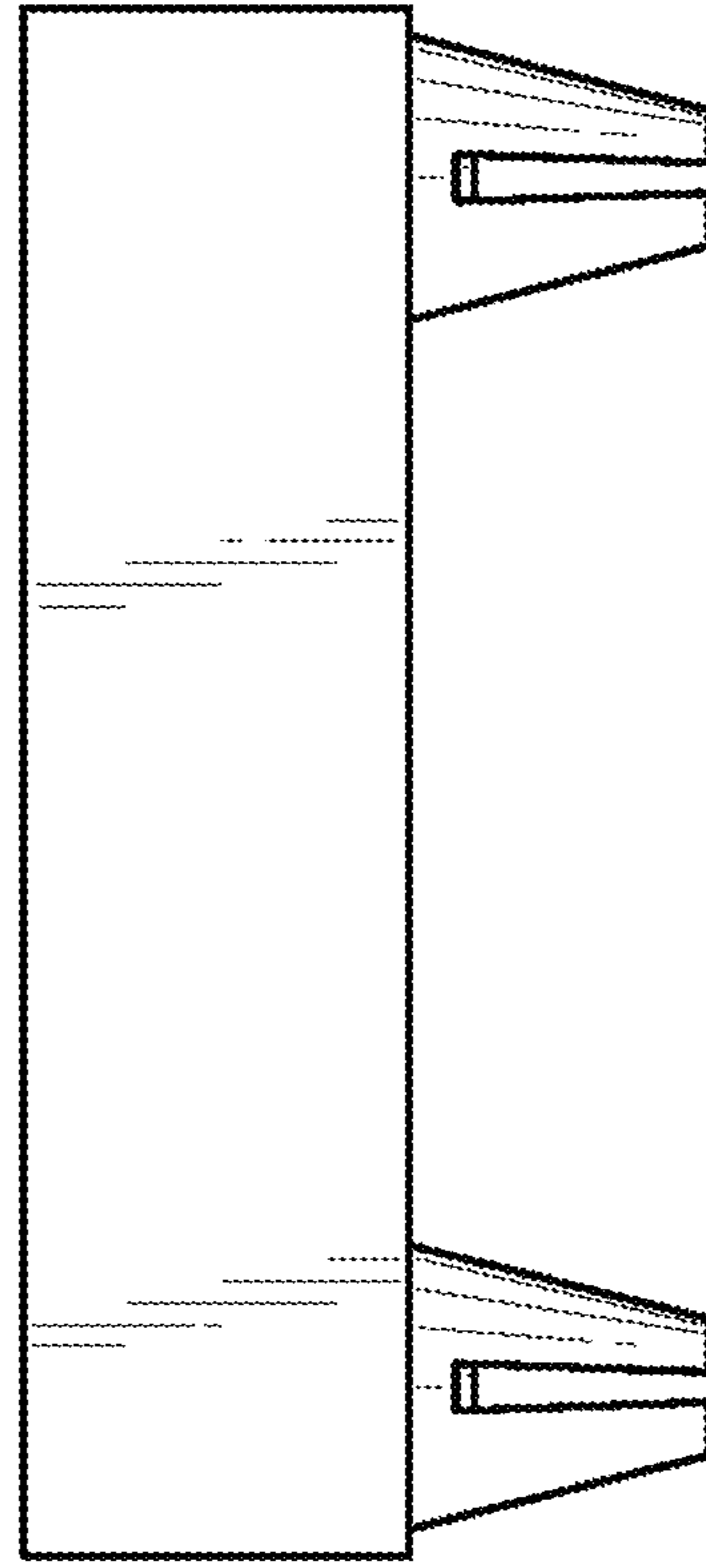


FIG. 6



FIG. 4

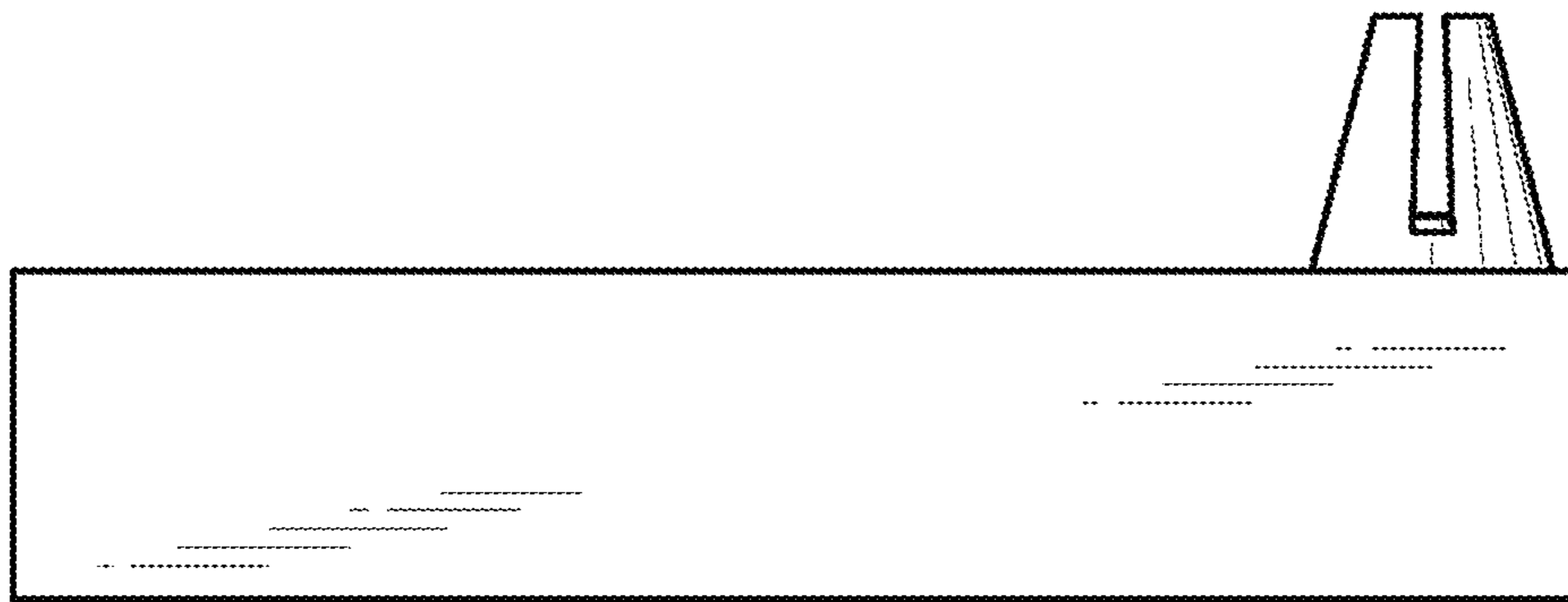


FIG. 3

FIG. 7

