



US00D980631S

(12) **United States Design Patent**
Tian

(10) **Patent No.:** **US D980,631 S**
(45) **Date of Patent:** **** Mar. 14, 2023**

(54) **HAMMOCK TREE STRAP**

(71) Applicant: **Yumei Tian**, Puning (CN)

(72) Inventor: **Yumei Tian**, Puning (CN)

(**) Term: **15 Years**

(21) Appl. No.: **29/821,640**

(22) Filed: **Dec. 31, 2021**

(51) **LOC (14) Cl.** **05-04**

(52) **U.S. Cl.**
USPC **D5/7; D6/718.11**

(58) **Field of Classification Search**
USPC D5/7, 37, 55-62, 99; D6/575, 582, 583,
D6/588, 592, 601, 302, 604, 605, 608,
D6/613, 617, 718.1, 718.11; D25/138;
D8/356

CPC A45C 13/36; A45C 13/001; A45C 5/03;
A45C 31/11; A45C 27/08; A45C 27/14;
A47G 27/02; A47G 27/04; A47G 27/45;
B44F 7/00; B60N 2/60; D03D 1/02;
D03D 1/06; D03D 1/0047; D03D 1/0082;
D03D 15/46; D03D 27/02

See application file for complete search history.

(56) **References Cited**

U.S. PATENT DOCUMENTS

D18,789 S *	12/1888	Stimpson	D5/7
D18,811 S *	12/1888	Stimpson	D5/7
D87,571 S *	8/1932	Hamilton	D5/7
D116,822 S *	9/1939	Horton et al.	D5/7
3,333,361 A *	8/1967	Manak	A01G 13/10 D8/1
4,987,653 A *	1/1991	Lin	B60J 7/104 D8/356
5,075,932 A *	12/1991	Hunt	B65D 63/18 D8/356
D342,012 S *	12/1993	Doyle	D8/356
5,307,526 A *	5/1994	Appleby	A47K 11/00 4/483
5,331,726 A *	7/1994	Suh	A44B 11/10 24/625

(Continued)

OTHER PUBLICATIONS

Hammock Straps, Jun. 9, 2020, found on Dec. 21, 2022 at https://www.amazon.co.uk/Todoxi-Hammock-Hanging-hanging-Max2200LB/dp/B089Y8Q87S/ref=sr_1_8?crd=2BXWUKOKGL0NS&keywords=Hammock+tree+straps&qid=1671634401&srefix=hammock+tree+straps%2Caps%2C174&sr=8-8 (Year: 2020).*

(Continued)

Primary Examiner — Karen S Acker

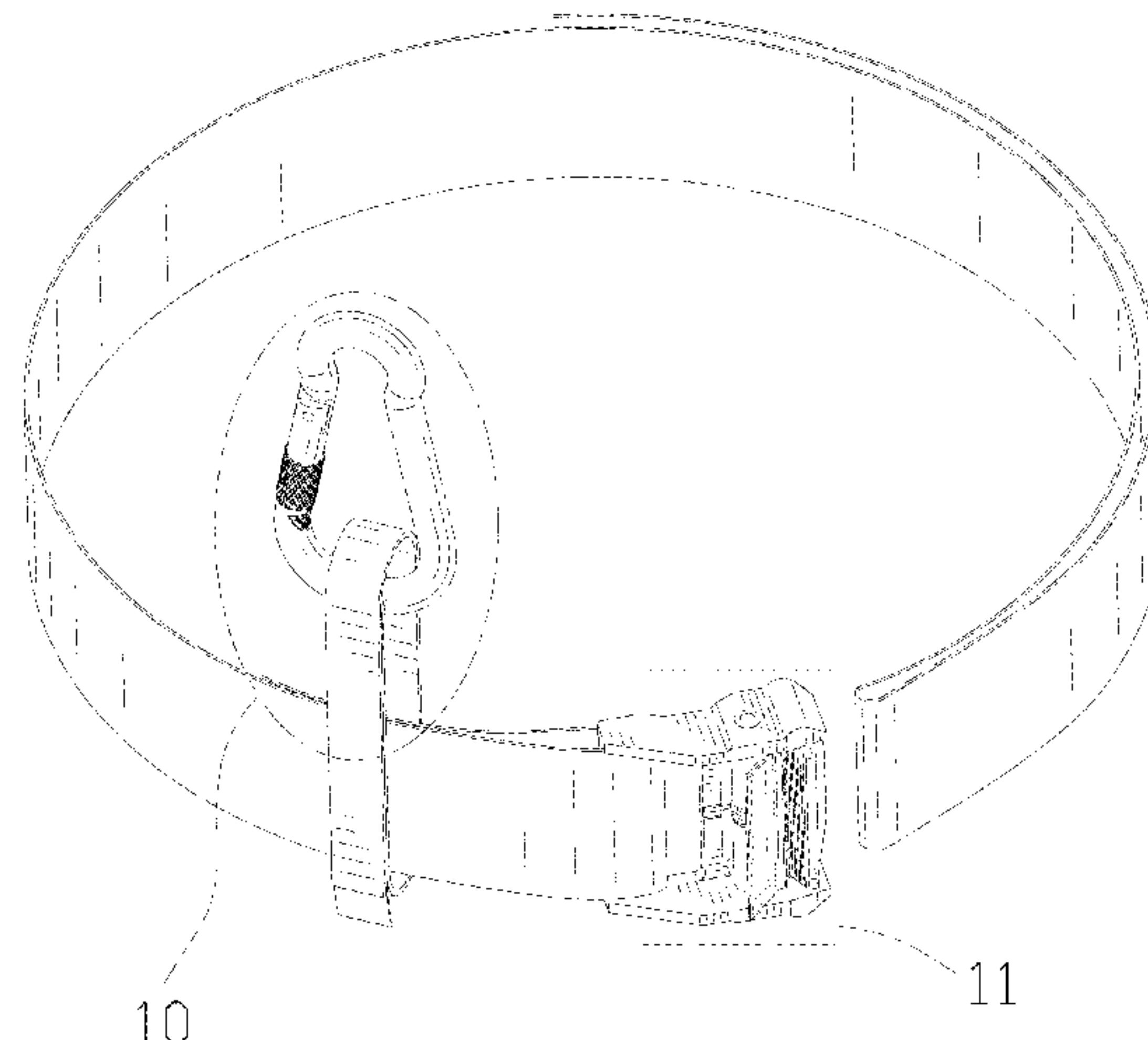
(57) **CLAIM**

The ornamental design for a hammock tree strap, as shown and described.

DESCRIPTION

FIG. 1 is a perspective view of a hammock tree strap showing my new design;
FIG. 2 is another perspective view thereof;
FIG. 3 is a front elevational view thereof;
FIG. 4 is a rear elevational view thereof;
FIG. 5 is a left side elevational view thereof;
FIG. 6 is a right side elevational view thereof;
FIG. 7 is a top plan view thereof;
FIG. 8 is a bottom plan view thereof;
FIG. 9 is an exploded perspective view of the hammock tree strap;
FIG. 10 is an enlarged view of portion 10 shown in FIG. 1;
FIG. 11 is an enlarged view of portion 11 shown in FIG. 1;
and,
FIG. 12 is an enlarged view of portion 12 shown in FIG. 3.
The dash-dash broken lines in the drawings depict portions of the hammock tree strap that form no part of the claimed design. The dot-dash broken lines represent boundaries of the enlarged portions and form no part of the claimed design.

1 Claim, 12 Drawing Sheets



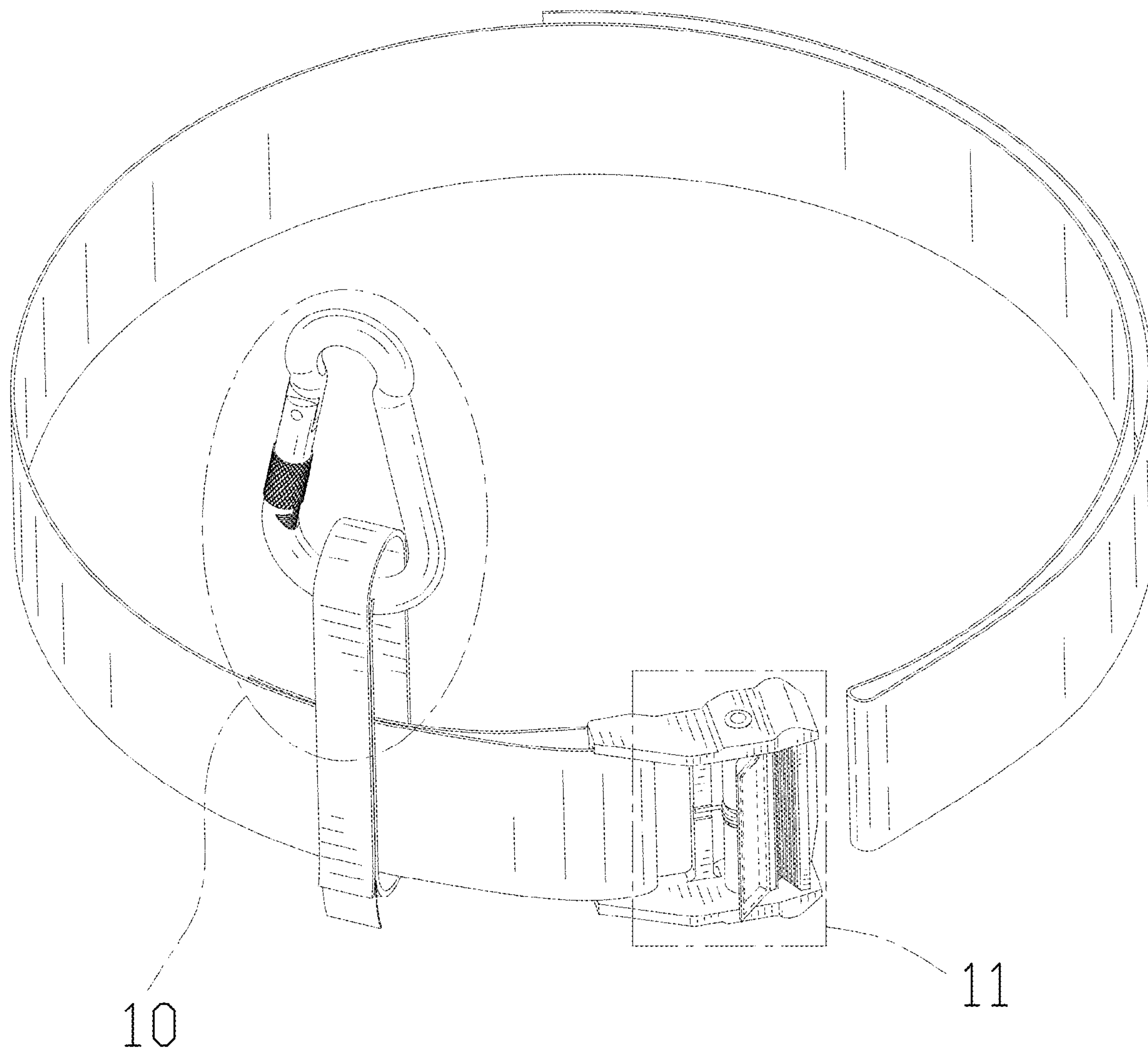


FIG. 1

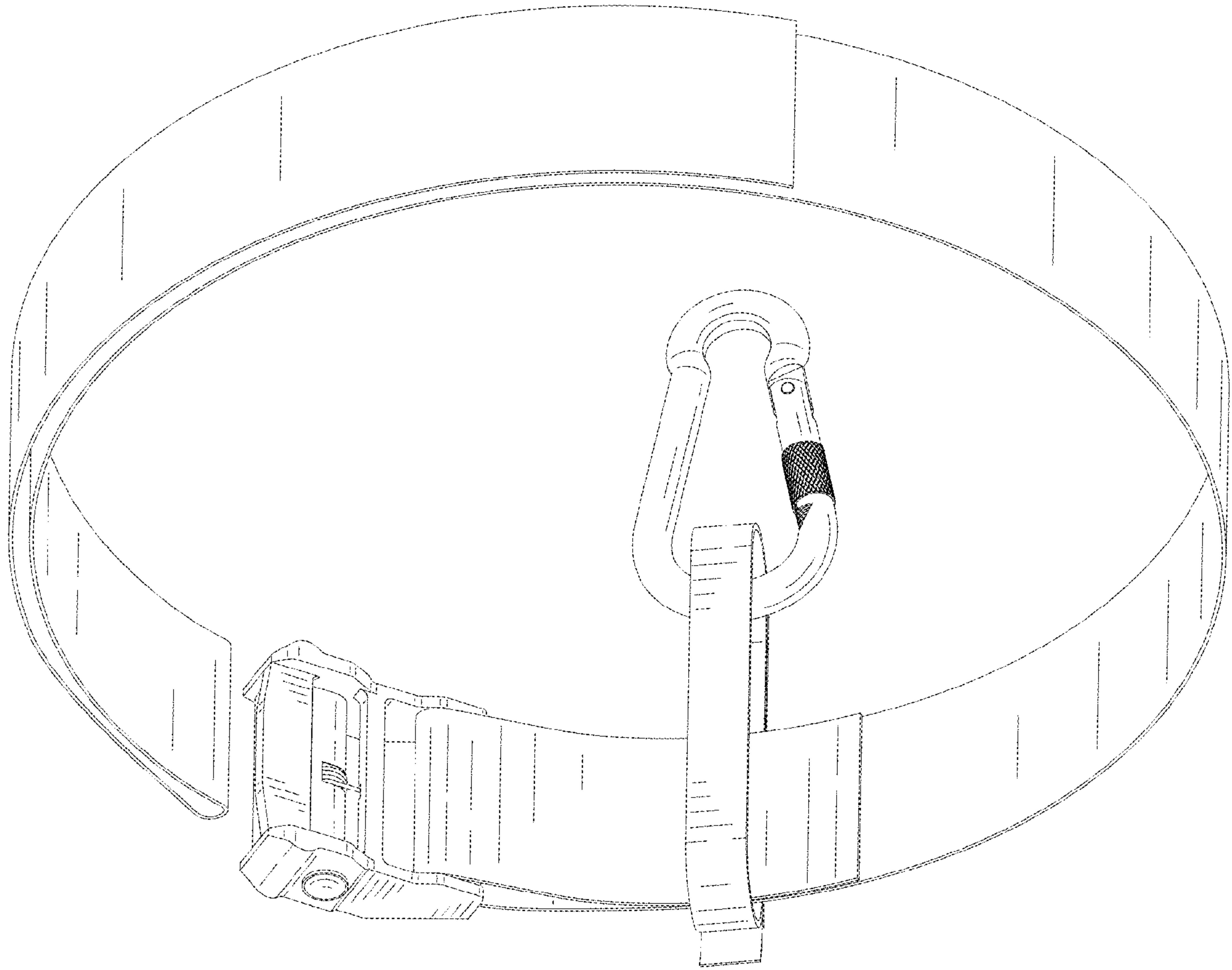


FIG. 2

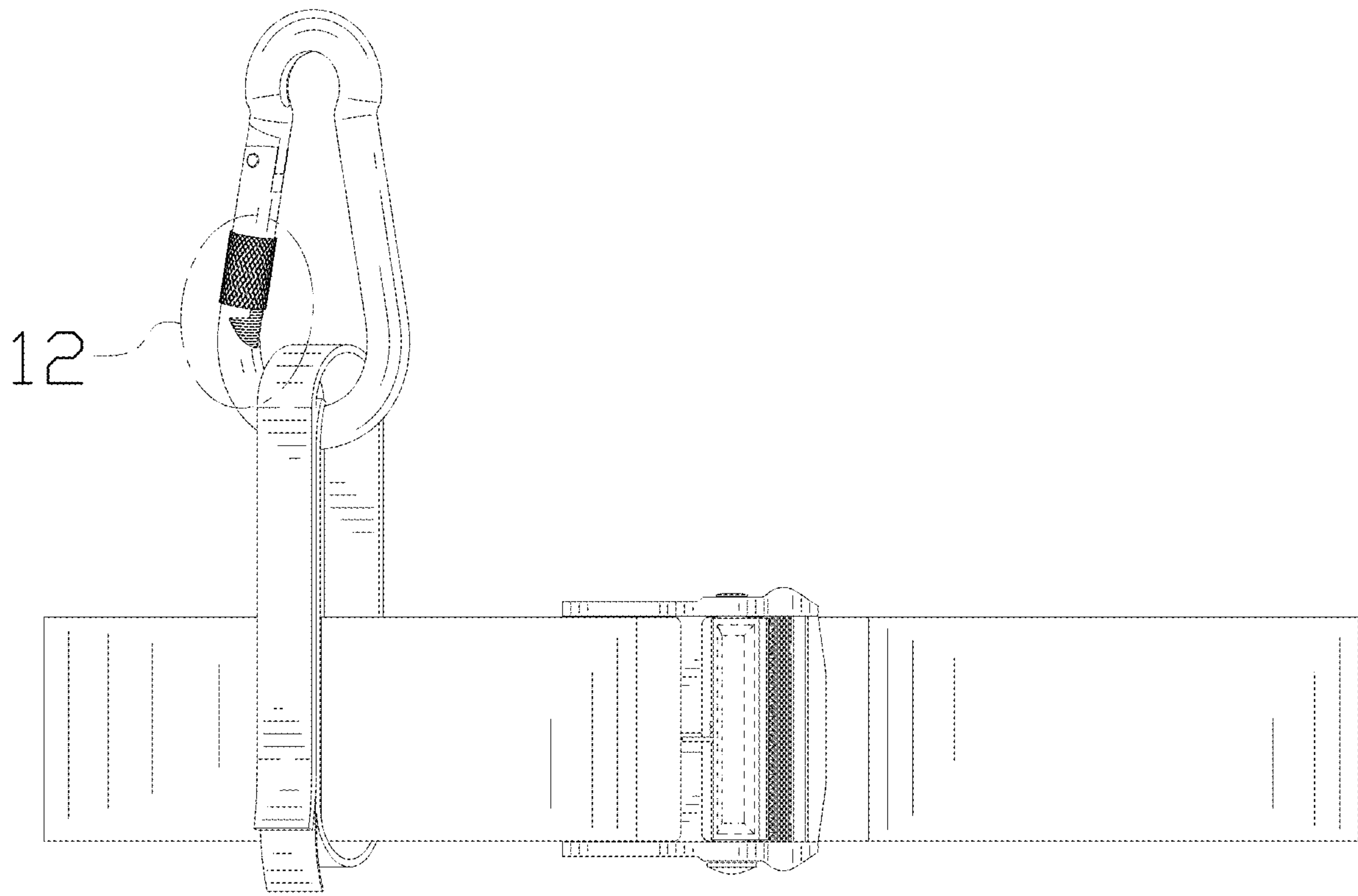


FIG. 3

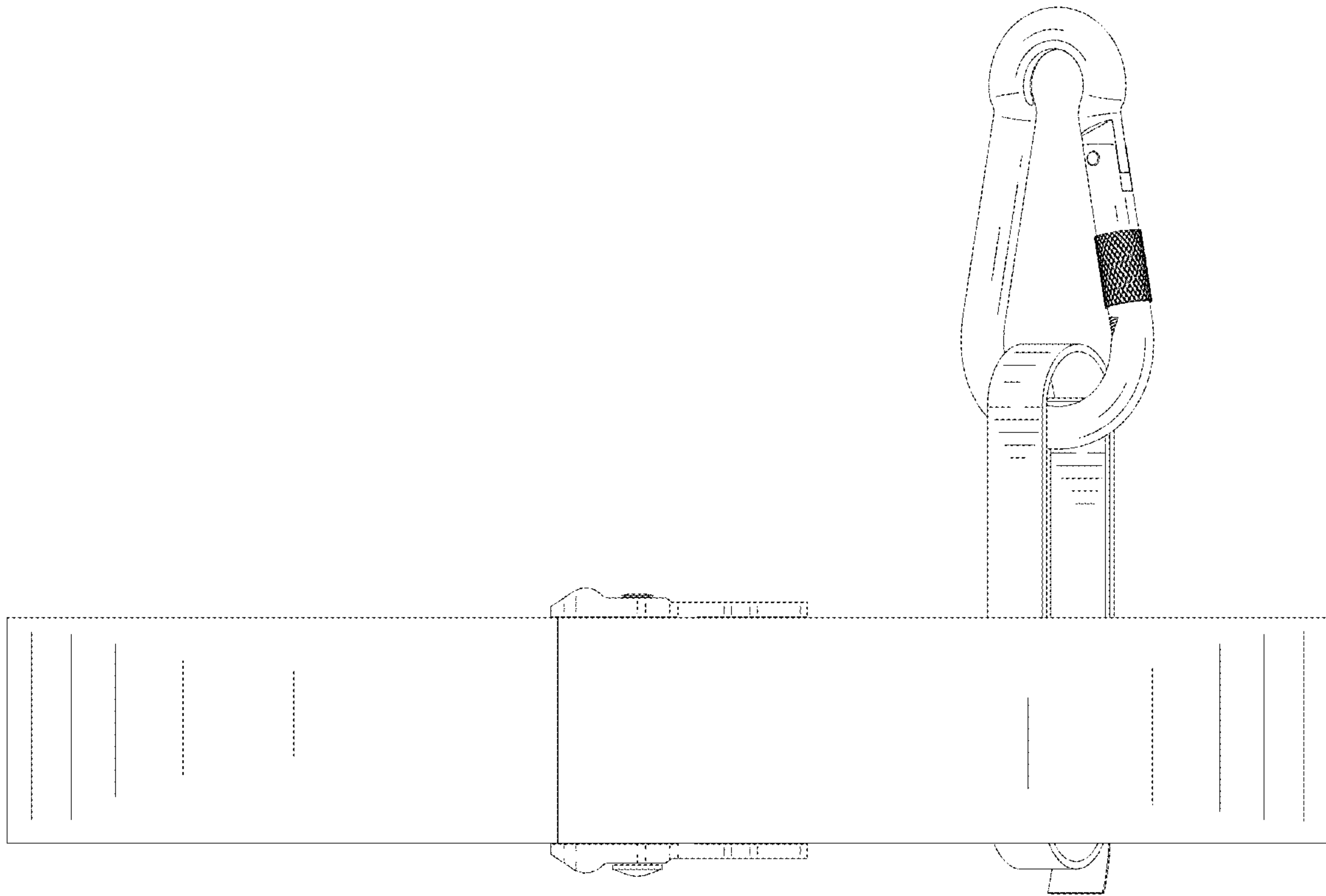


FIG. 4

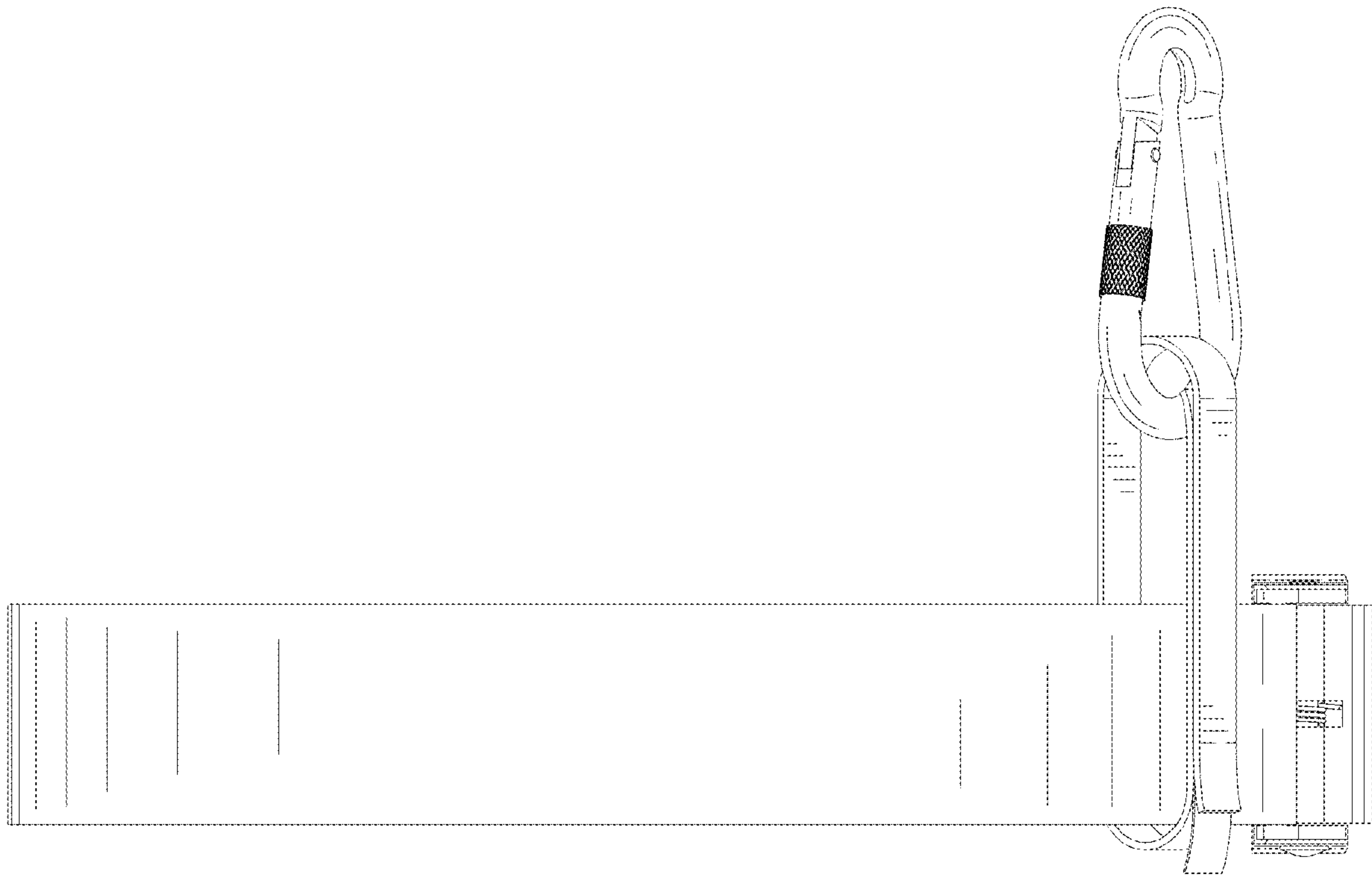


FIG. 5

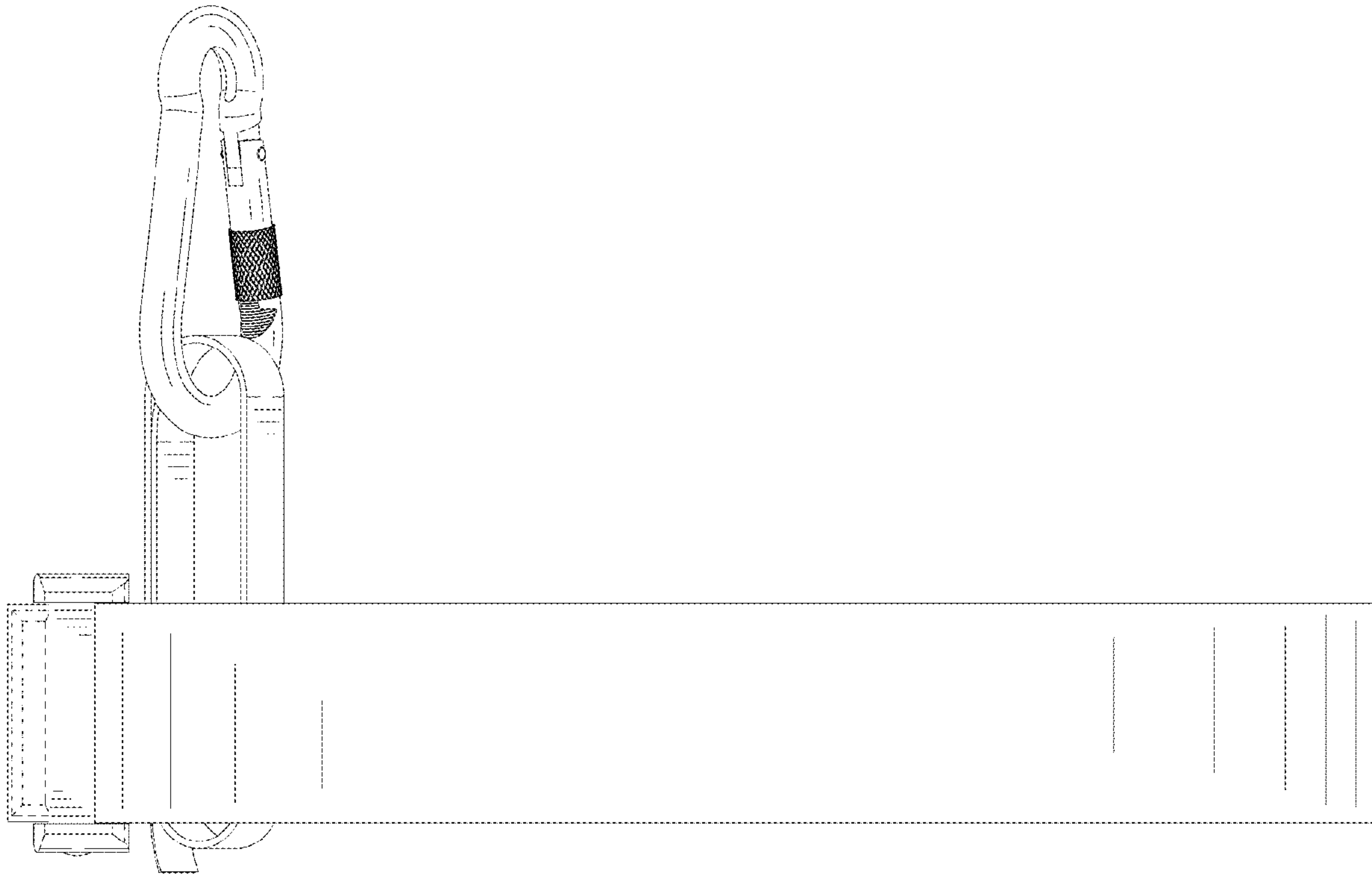


FIG. 6



FIG. 7



FIG. 8

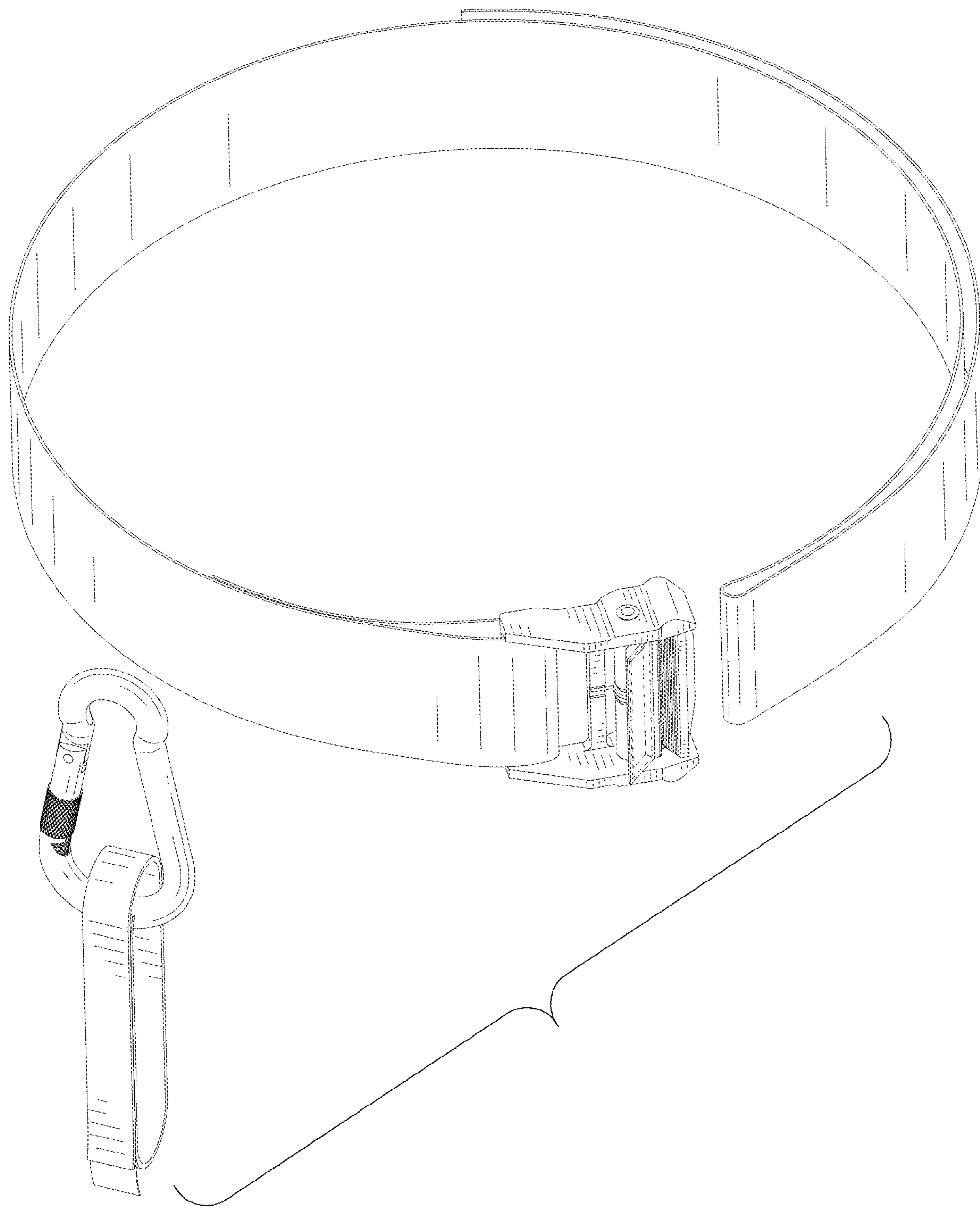


FIG. 9

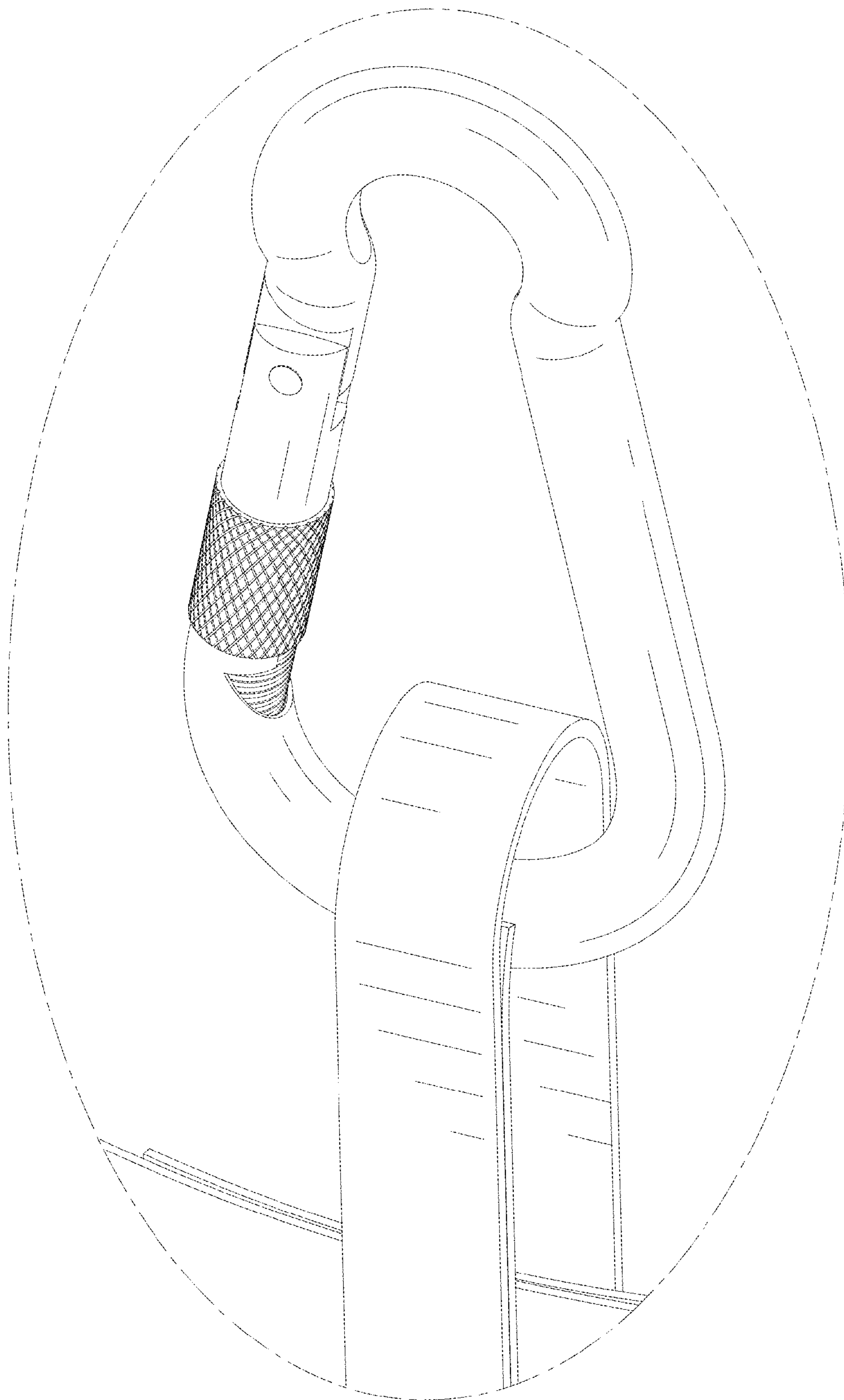


FIG. 10

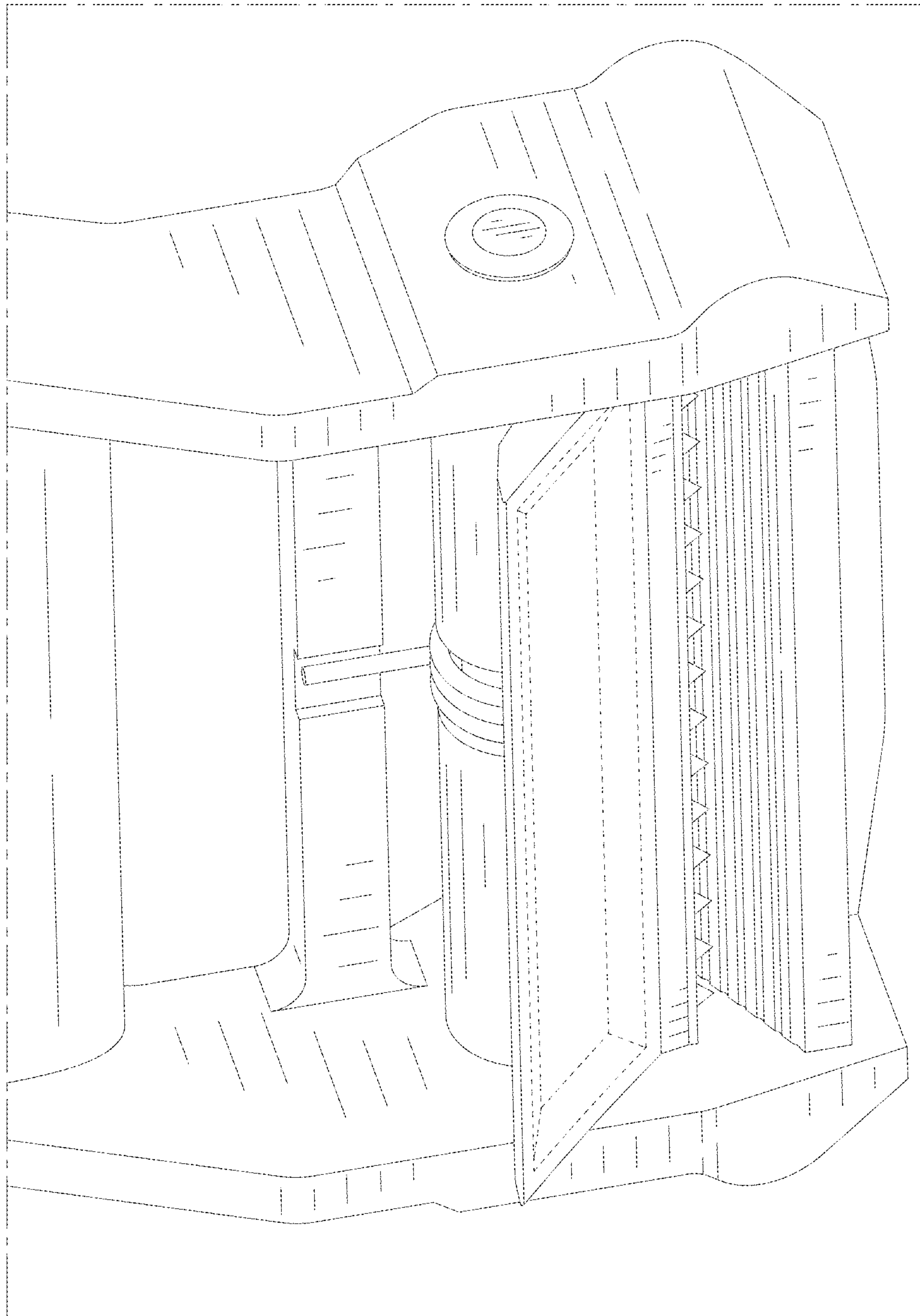


FIG. 11

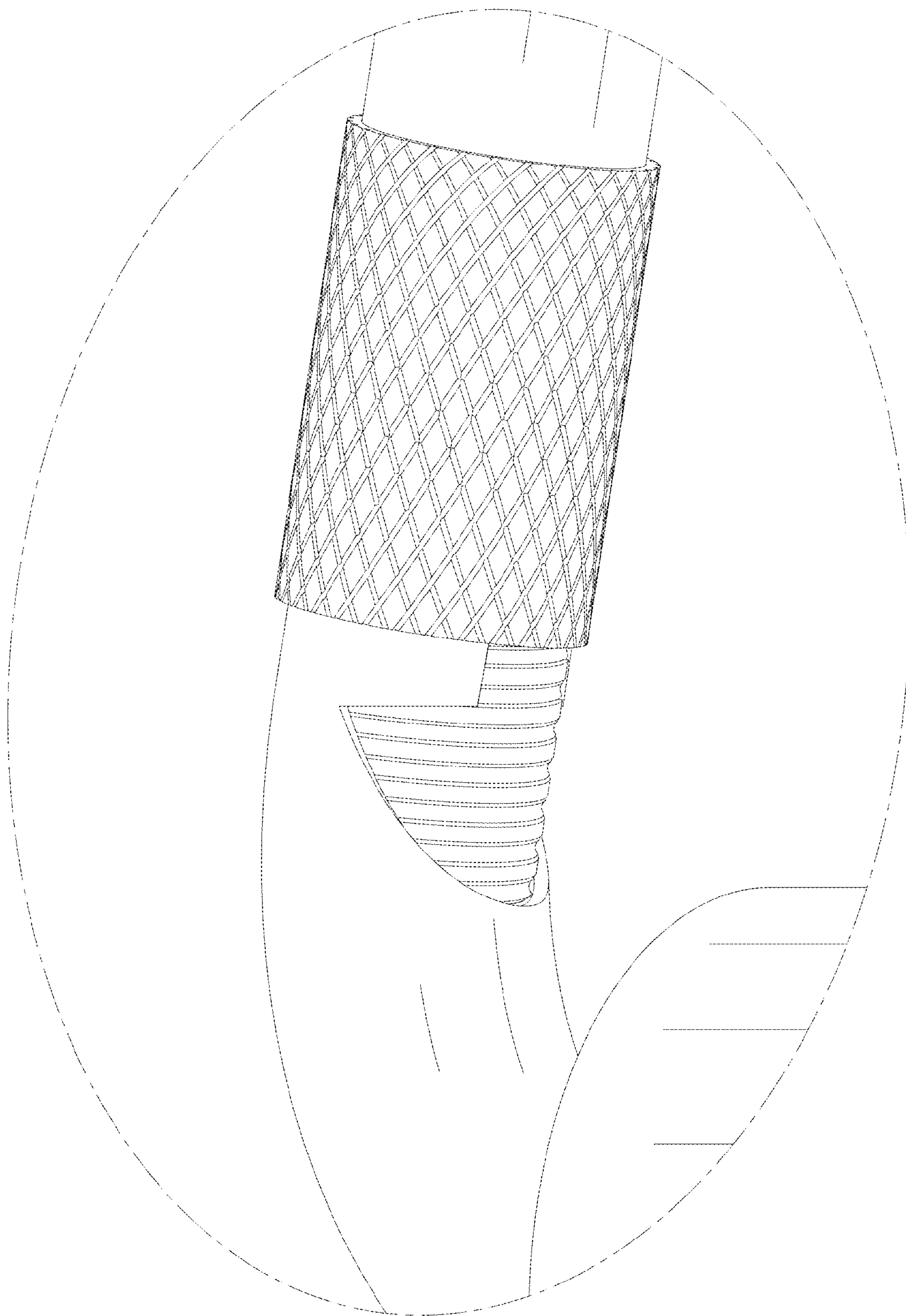


FIG. 12