



US00D980629S

(12) **United States Design Patent**
Akana et al.

(10) **Patent No.:** **US D980,629 S**
(45) **Date of Patent:** **** Mar. 14, 2023**

(54) **CASE**

(71) Applicant: **Apple Inc.**, Cupertino, CA (US)

(72) Inventors: **Jody Akana**, Los Altos Hills, CA (US); **Molly Anderson**, San Francisco, CA (US); **Bartley K. Andre**, Palo Alto, CA (US); **Shota Aoyagi**, San Francisco, CA (US); **Anthony Michael Ashcroft**, San Francisco, CA (US); **Marine C. Bataille**, San Francisco, CA (US); **Jeremy Bataillou**, San Francisco, CA (US); **Daniel J. Coster**, San Francisco, CA (US); **Daniele De Iuliis**, San Francisco, CA (US); **Markus Diebel**, San Francisco, CA (US); **M. Evans Hankey**, San Francisco, CA (US); **Julian Hoenig**, San Francisco, CA (US); **Richard P. Howarth**, San Francisco, CA (US); **Jonathan P. Ive**, San Francisco, CA (US); **Julian Jaede**, San Francisco, CA (US); **Duncan Robert Kerr**, San Francisco, CA (US); **Peter Russell-Clarke**, San Francisco, CA (US); **Benjamin Andrew Shaffer**, San Jose, CA (US); **Mikael Silvanto**, San Francisco, CA (US); **Christopher J. Stringer**, Woodside, CA (US); **Joe Sung-Ho Tan**, Vienna (AT); **Clement Tissandier**, San Francisco, CA (US); **Eugene Antony Whang**, San Francisco, CA (US); **Rico Zörkendörfer**, San Francisco, CA (US)

(73) Assignee: **Apple Inc.**, Cupertino, CA (US)

(**) Term: **15 Years**

(21) Appl. No.: **29/849,506**

(22) Filed: **Aug. 11, 2022**

Related U.S. Application Data

(63) Continuation of application No. 29/752,516, filed on Sep. 28, 2020, now Pat. No. Des. 960,829, which is

a continuation of application No. 29/726,068, filed on Feb. 28, 2020, now Pat. No. Des. 897,291, which is a continuation of application No. 29/692,476, filed on May 24, 2019, now Pat. No. Des. 878,045, which is a continuation of application No. 29/594,338, filed on Feb. 17, 2017, now Pat. No. Des. 849,401, which is a continuation of application No. 29/576,707, filed on Sep. 6, 2016, now Pat. No. Des. 806,388.

(51) **LOC (14) Cl.** **03-01**

(52) **U.S. Cl.**
USPC **D3/318; D13/108; D14/223**

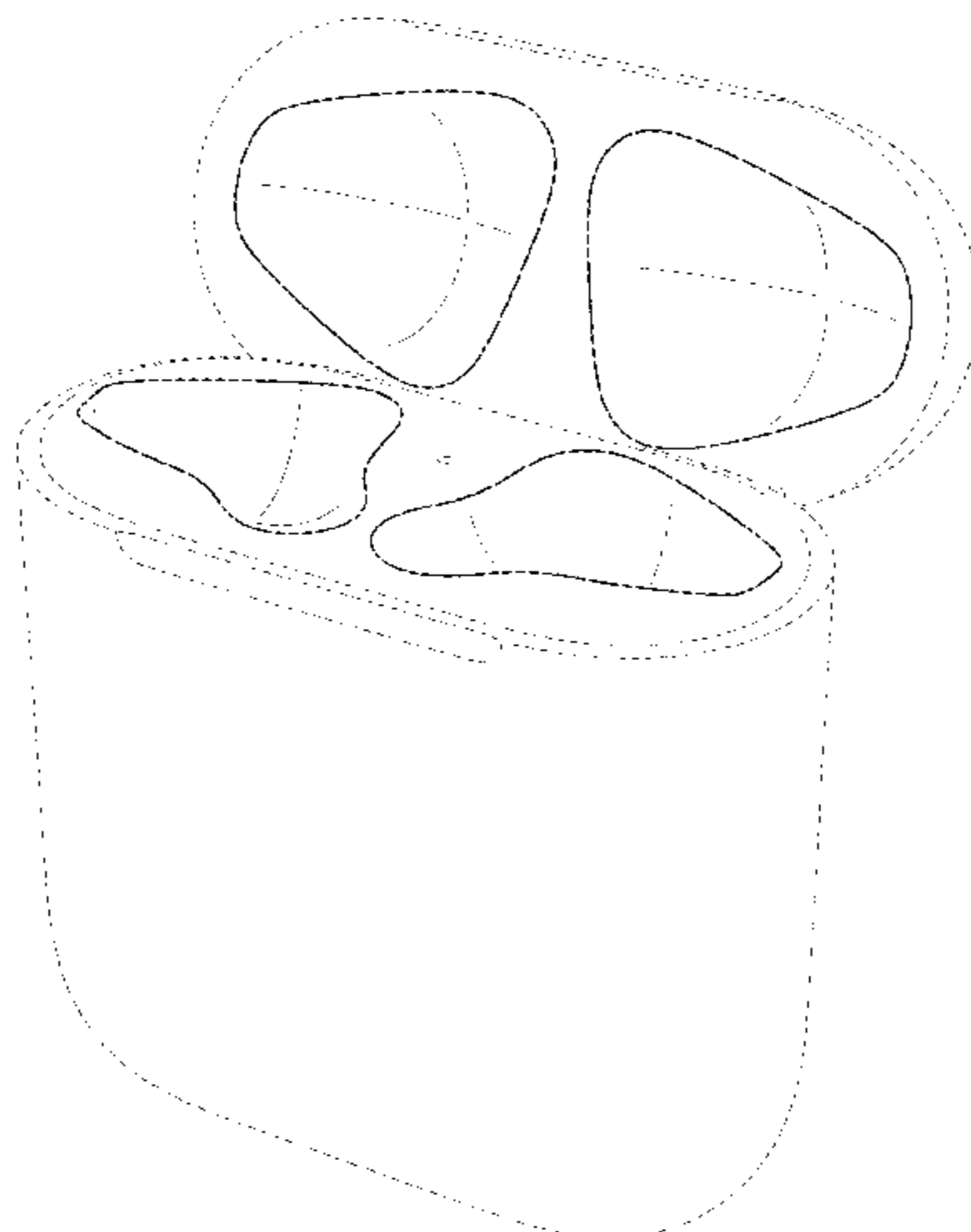
(58) **Field of Classification Search**
USPC D3/201, 208, 212, 218, 273, 274, 294,
D3/302, 318; D13/108; D14/223
CPC A45C 2011/001; H04R 1/1025; H04R
1/1016

See application file for complete search history.

(56) **References Cited**

U.S. PATENT DOCUMENTS

228,598 A	6/1880	Buckley
3,246,815 A	4/1966	Philip et al.
D245,818 S	9/1977	Persson
D281,281 S	11/1985	Matalon
D285,687 S	9/1986	Manock et al.
D291,947 S	9/1987	Nakata
D306,519 S	3/1990	Nakata
D310,480 S	9/1990	Geiger
D312,629 S	12/1990	Esslinger
D322,752 S	12/1991	Zintzmeyer
D339,215 S	9/1993	Spencer, Jr.
D342,676 S	12/1993	Wuttke
D349,644 S	8/1994	Miyairi et al.
D356,828 S	3/1995	Harris et al.
D364,708 S	11/1995	Tarrson et al.
D367,608 S	3/1996	Stranders
D380,355 S	7/1997	Husted
D399,604 S	10/1998	Wolff
D404,201 S	1/1999	Wennerstrom
D419,133 S	1/2000	Yoshida et al.
D422,139 S	4/2000	Meikle
D426,950 S	6/2000	Conway
D427,424 S	7/2000	Conway
D436,434 S	1/2001	Conway
D463,907 S	10/2002	Lemoine
D464,941 S	10/2002	Latto et al.
D467,799 S	12/2002	Persson



D475,282	S	6/2003	Snaith et al.	
D478,546	S	8/2003	Andre et al.	
D479,823	S	9/2003	Andre et al.	
D482,618	S	11/2003	Cummings	
D493,257	S	7/2004	McCorkindale	
D505,068	S	5/2005	Cunningham et al.	
D506,744	S	6/2005	Andre et al.	
D510,029	S	9/2005	Marcot	
D528,012	S	9/2006	Snyder	
D532,695	S	11/2006	Grant	
D540,313	S	4/2007	Rausch et al.	
D541,173	S	4/2007	Karussi et al.	
D542,664	S	5/2007	Mayers	
D559,180	S	1/2008	Lai et al.	
D576,037	S	9/2008	Beam et al.	
D616,738	S	6/2010	Andre et al.	
D637,647	S	5/2011	Allison et al.	
D651,903	S	1/2012	Teller	
D652,823	S	1/2012	Chen	
D672,642	S	12/2012	Supranowicz	
D681,015	S	4/2013	Akana et al.	
D683,902	S	6/2013	Zotalis	
D687,224	S	8/2013	Lacroix	
D691,372	S	10/2013	Chun	
D691,594	S	10/2013	Akana et al.	
D706,643	S	6/2014	Akana et al.	
8,739,967	B1	6/2014	George	
D708,784	S	7/2014	Kim	
D720,096	S	12/2014	McDougall	
D735,132	S	7/2015	Donohue, II et al.	
D735,991	S	8/2015	Brennan et al.	
D738,110	S	9/2015	Jiang et al.	
D740,653	S	10/2015	Akana et al.	
D772,572	S	11/2016	Palmborg et al.	
9,532,128	B2	12/2016	Linden et al.	
D775,463	S	1/2017	Shieh	
D775,960	S	1/2017	Erdwiens	
D801,314	S	10/2017	Akana et al.	
D804,806	S	12/2017	Stueckemann et al.	
D806,388	S	1/2018	Akana et al.	
D816,322	S	5/2018	Choe et al.	
D822,374	S	7/2018	Hung et al.	
D826,152	S	8/2018	Christiansen	
D838,480	S	1/2019	Son et al.	
D846,264	S	4/2019	Wu	
D873,217	S	1/2020	Zhang	
10,659,864	B2	5/2020	Lo et al.	
D927,465	S	8/2021	Wang	
D929,969	S	9/2021	Ding	
D931,258	S	9/2021	Ding	
D933,636	S	10/2021	Akana et al.	
D934,563	S	11/2021	Xiang	
D936,358	S	11/2021	Lu	
D939,477	S	12/2021	Lee	
D939,829	S	1/2022	Goldstein	
D944,197	S	2/2022	Li	
D944,524	S	3/2022	Laffon de Mazieres et al.	
D946,517	S *	3/2022	Zhang D14/223	
D950,488	S *	5/2022	Ruan D3/294	
D956,421	S *	7/2022	Akana D14/223	
D959,143	S *	8/2022	Laffon de Mazieres D3/294	
D960,829	S	8/2022	Akana et al.	
D960,873	S *	8/2022	Akana D3/274	
D961,508	S *	8/2022	Zhang D14/223	
2017/0094399	A1	3/2017	Chandramohan et al.	
2017/0245038	A1	8/2017	Chawan et al.	
2020/0068285	A1 *	2/2020	Dang H04R 1/028	
2022/0252466	A1 *	8/2022	Yeh H04R 1/1091	
2022/0295187	A1 *	9/2022	Lee H04R 1/1075	

FOREIGN PATENT DOCUMENTS

CN	301938367	S	5/2012
CN	302414771	S	4/2013
CN	302672007	S	12/2013
CN	303180712	S	4/2015
CN	303634602	S	4/2016
CN	303640496	S	4/2016
CN	303701471	S	6/2016

OTHER PUBLICATIONS

“Samsung’s stylish mobile accessories are launching worldwide” (via engadget), Oct. 31, 2016, (online), URL: <https://www.engadget.com/2016/10/31/samsung-stylish-mobile-accessories/#/>.
 Apple AirPods wireless headphones review, Sep. 13, 2016, (online), URL: https://www.youtube.com/watch?v=wQ5GjOUB_R8.
 Johnson & Johnson Reach Dental Floss, Aug. 15, 2008, (online), URL: <https://www.amazon.co.uk/Johnsons-Johnson-Reach-Dental-Floss/dp/B001ECQSH-W>.
 Oral-B Glide Pro-Health Deep Clean Floss, 2017, (online), URL: <http://www.dentalsreview.com/best-dental-floss-review/>.
 “Spheres, equations and terminology” (written by Paul Bourke), Apr. 1992, (online), URL: <http://paulbourke.net/geometry/circlesphere/>.
 “Review: Hush smart earplugs put a waterfall in your ear”, May 11, 2016, (online), URL: <https://newatlas.com/hush-smart-earplug-review/43272/>.
 Round corners for Openscad—Tutorial (written by William A Adams), Jun. 15, 2011, (online), URL: <https://www.thingiverse.com/thing:9347>.
 Tom’s of Maine Natural Waxed Antiplaque Flat Floss, 2017, (online), URL: <http://www.dentalsreview.com/best-dental-floss-review/>.
 Veho Pebble Explorer Portable Power Bank, Mar. 17, 2014, (online), URL: https://www.amazon.com/gp/product/BOOFS6YQWY/ref=as_li_tl?tag=travelfcomO-a-20&ie=UTF8&camp=1789&creative=390957&creativeASIN=BOOFS6YQWY&linkCode=as-2&linkId=RXUJDO2BX2CNJTUK.
 iFixit, “AirPods Teardown”, Dec. 20, 2016. (<https://www.ifixit.com/Teardown/AirPods+Teardown/75578>).
 Amazon, “DUBS Noise Cancelling Music Ear Plugs”, Nov. 26, 2014. (<https://www.amazon.com/DUBS-Noise-Cancelling-Music-Plugs/dp/BOONW11Z5Q>).
 Japanese Patent Office Document HJ 21000610, dated Jul. 26, 2017.
 Japanese Patent Office Document HJ 27054573, dated Jul. 26, 2017.
 Wirecutter, “The Best True Wireless Headphones So Far”, Mar. 27, 2018. (<https://thewirecutter.com/reviews/best-true-wireless-headphones/>).
 Kogan, “Kogan W8 II True Wireless Earphones (Black)”, Sep. 17, 2019. (<https://www.kogan.com/au/buy/kogan-w8-ii-true-wireless-earphones-black/>).
 Urbanista, “STOCKHOLM”, May 20, 2019. (<https://www.urbanista.com/us/stockholm>)(<https://web.archive.org/web/20190520064031/https://www.urbanista.com/us/stockholm>).

* cited by examiner

Primary Examiner — April Rivas
 (74) Attorney, Agent, or Firm — Sterne, Kessler, Goldstein & Fox P.L.L.C.

(57) CLAIM

The ornamental design for a case, as shown and described.

DESCRIPTION

FIG. 1 is a top front perspective view of a case showing the claimed design;
 FIG. 2 is a front view thereof;
 FIG. 3 is a rear view thereof;
 FIG. 4 is a left side view thereof;
 FIG. 5 is a right side view thereof;
 FIG. 6 is a top view thereof;
 FIG. 7 is a bottom view thereof;
 FIG. 8 is a cross-sectional view thereof taken along line 8-8 in FIG. 6; and,
 FIG. 9 is a top front perspective view thereof in an environment in which it may be used.

The broken lines in the figures show portions of the case and environment that form no part of the claimed design.
The cross-hatching in FIG. 8 forms no part of the claimed design.

1 Claim, 9 Drawing Sheets

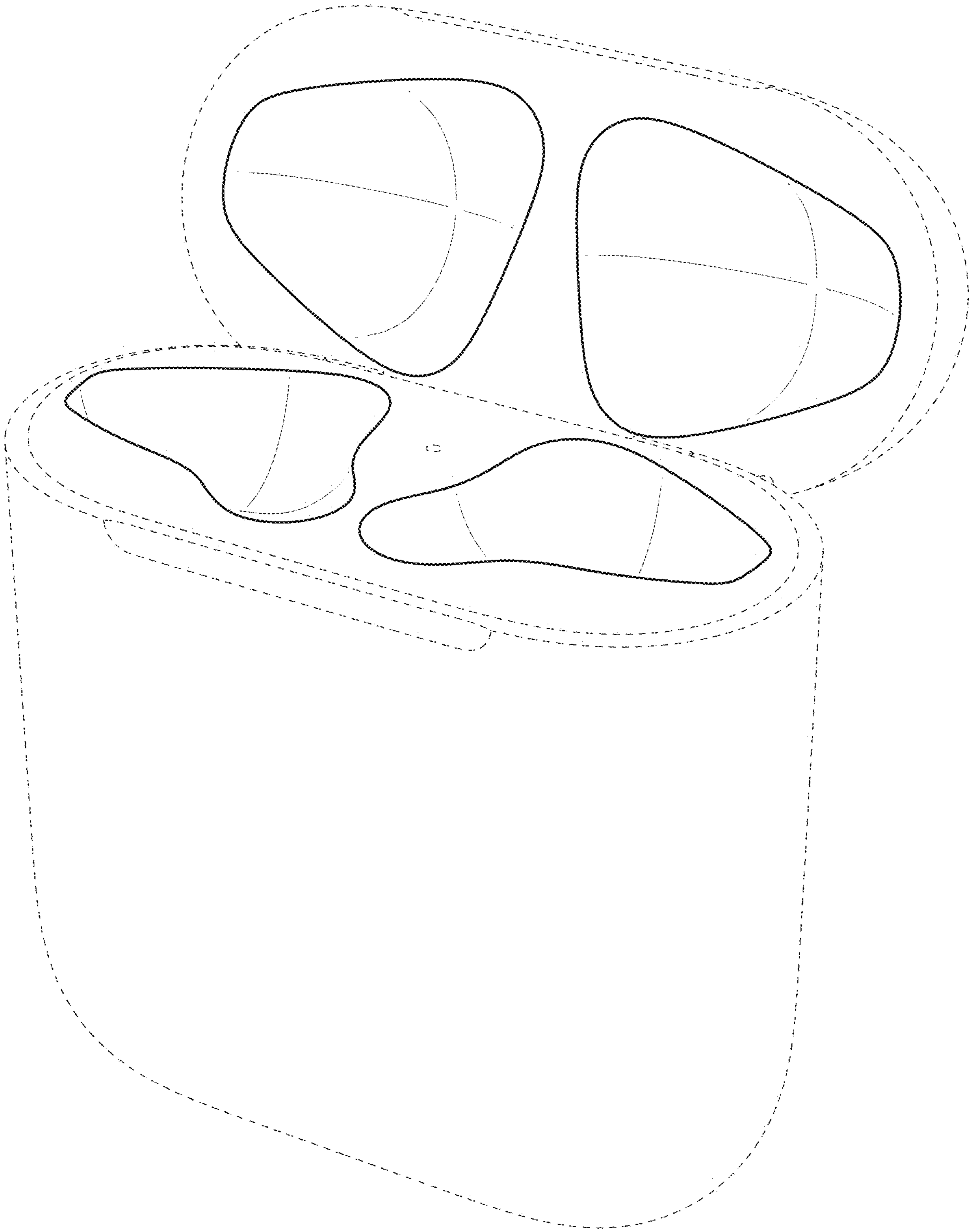


FIG. 1

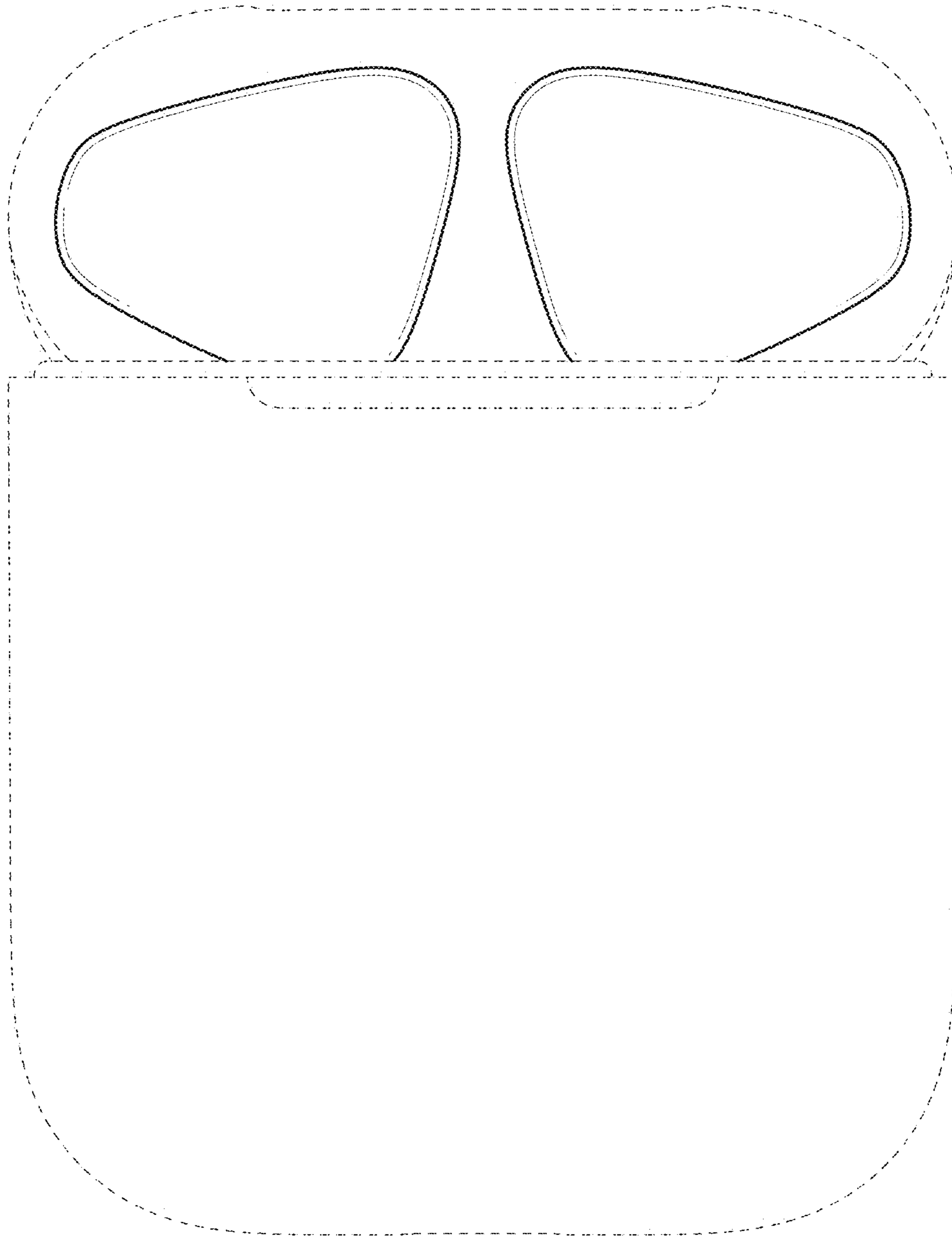


FIG. 2

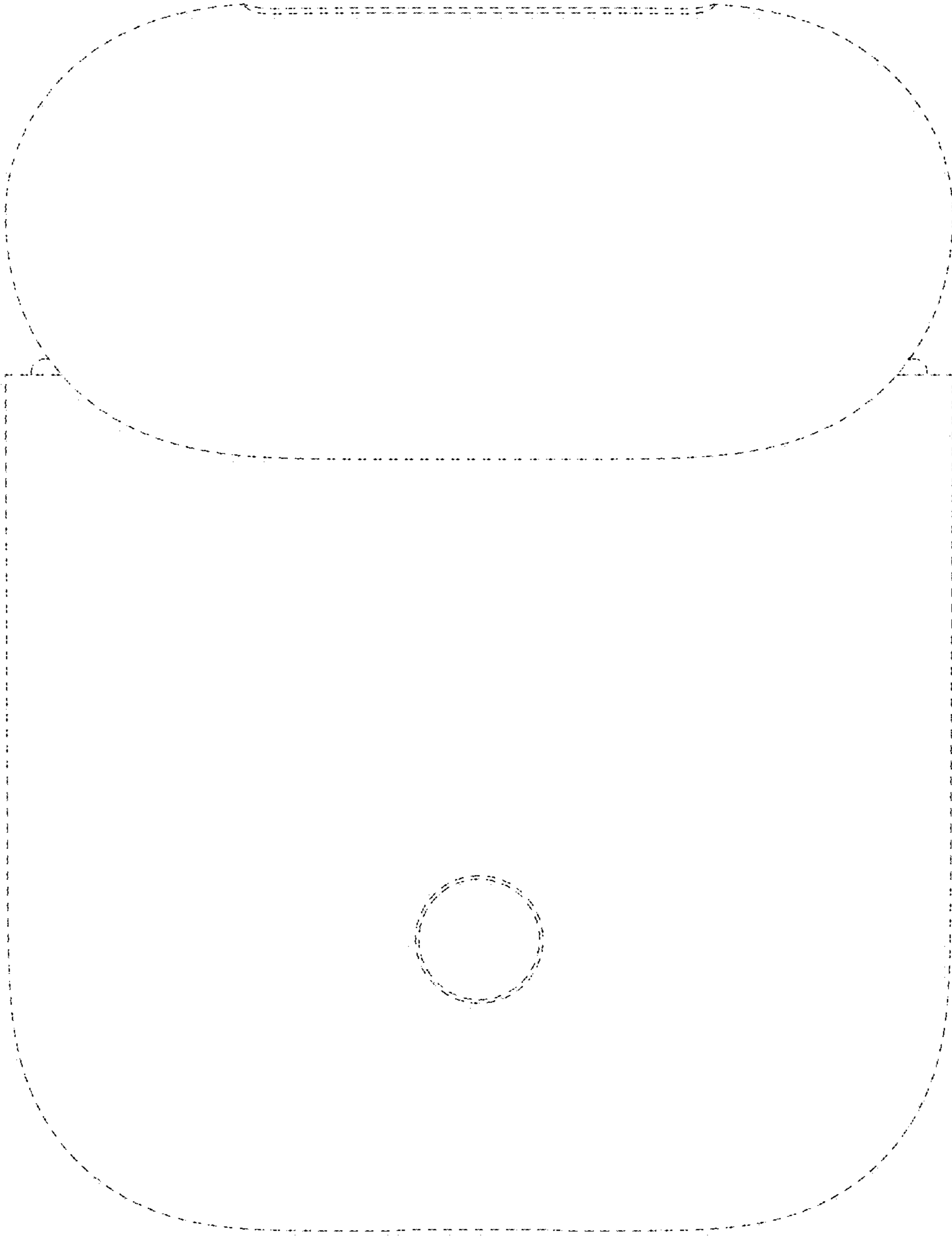


FIG. 3

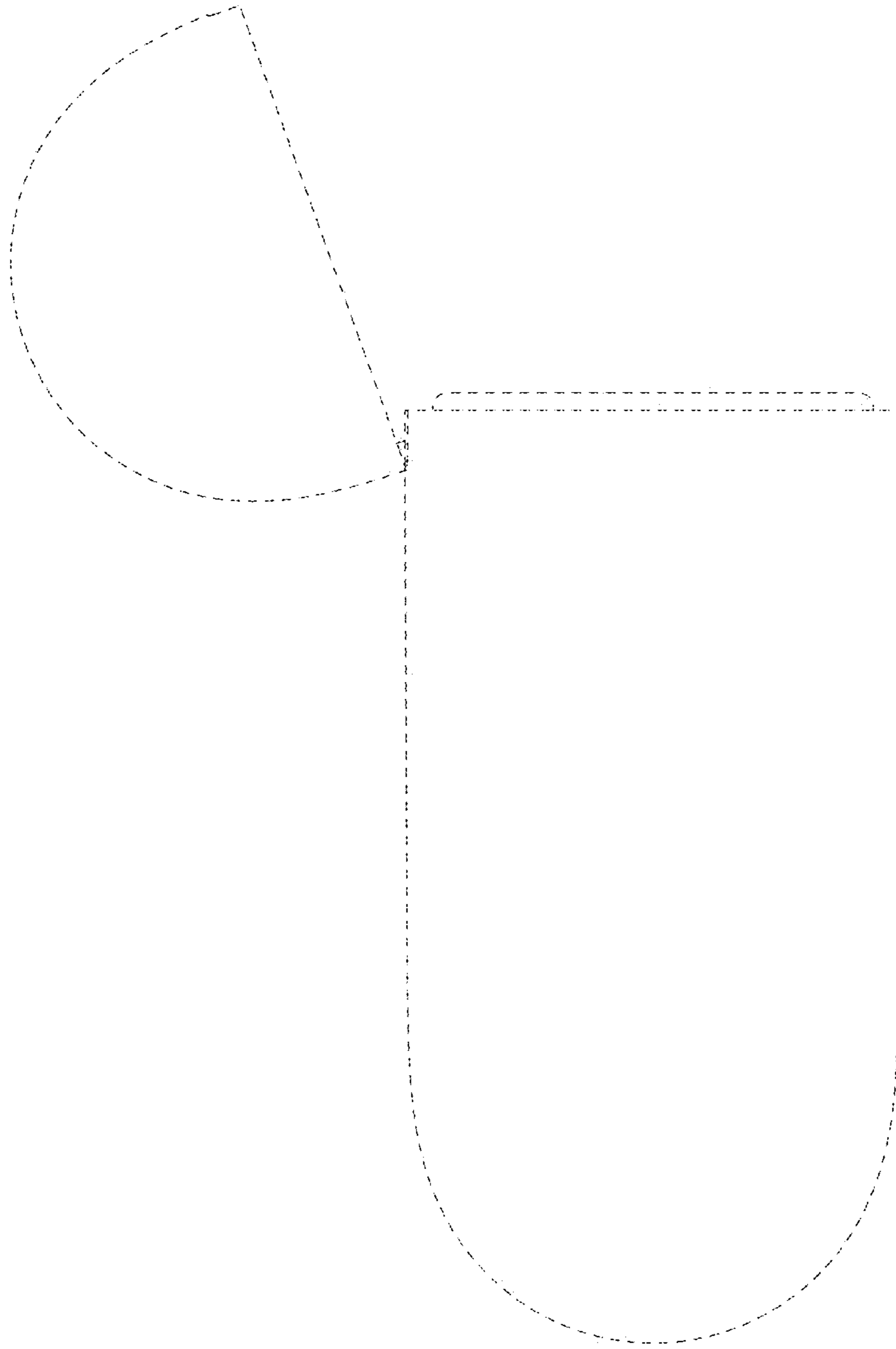


FIG. 4

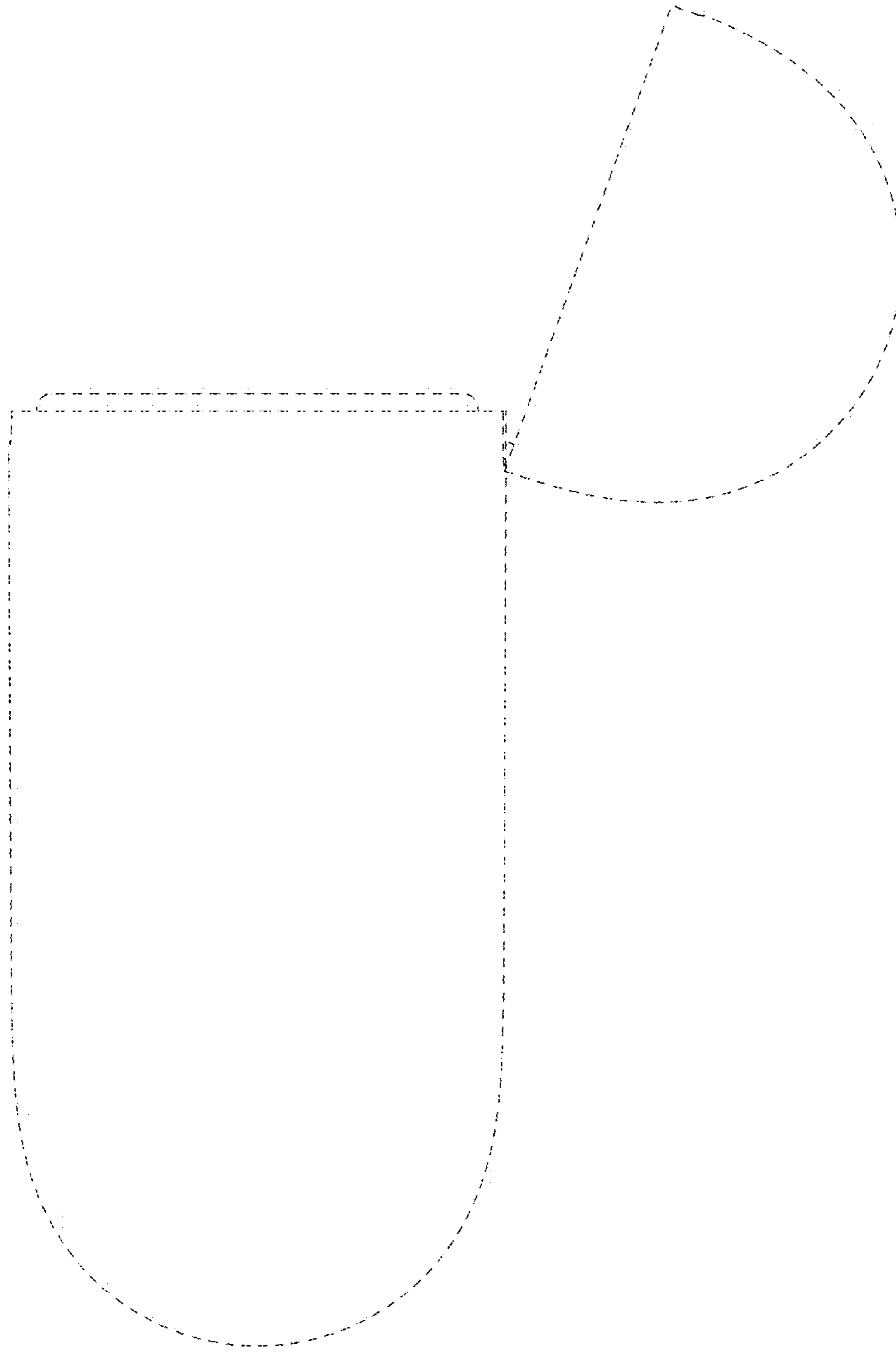


FIG. 5

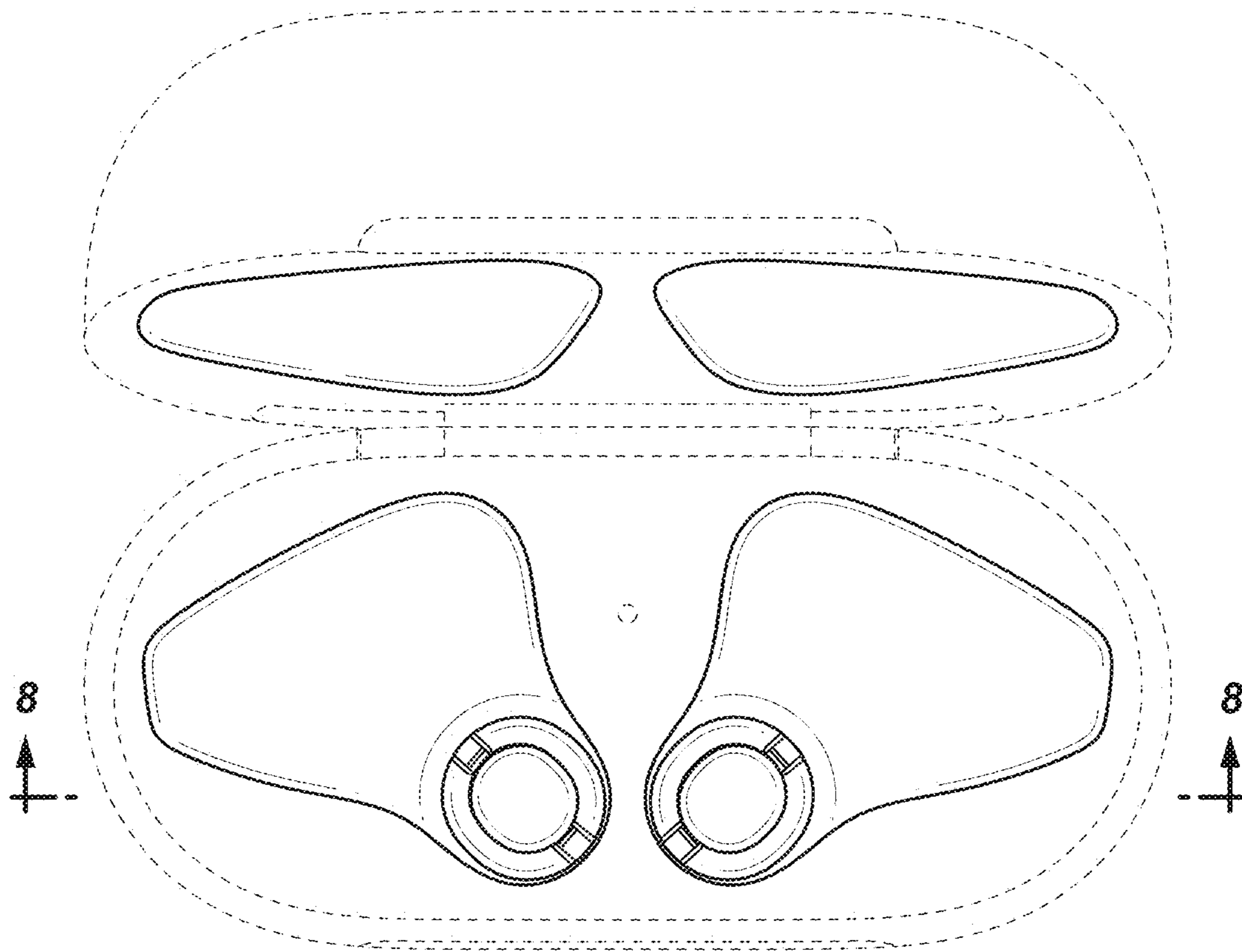


FIG. 6

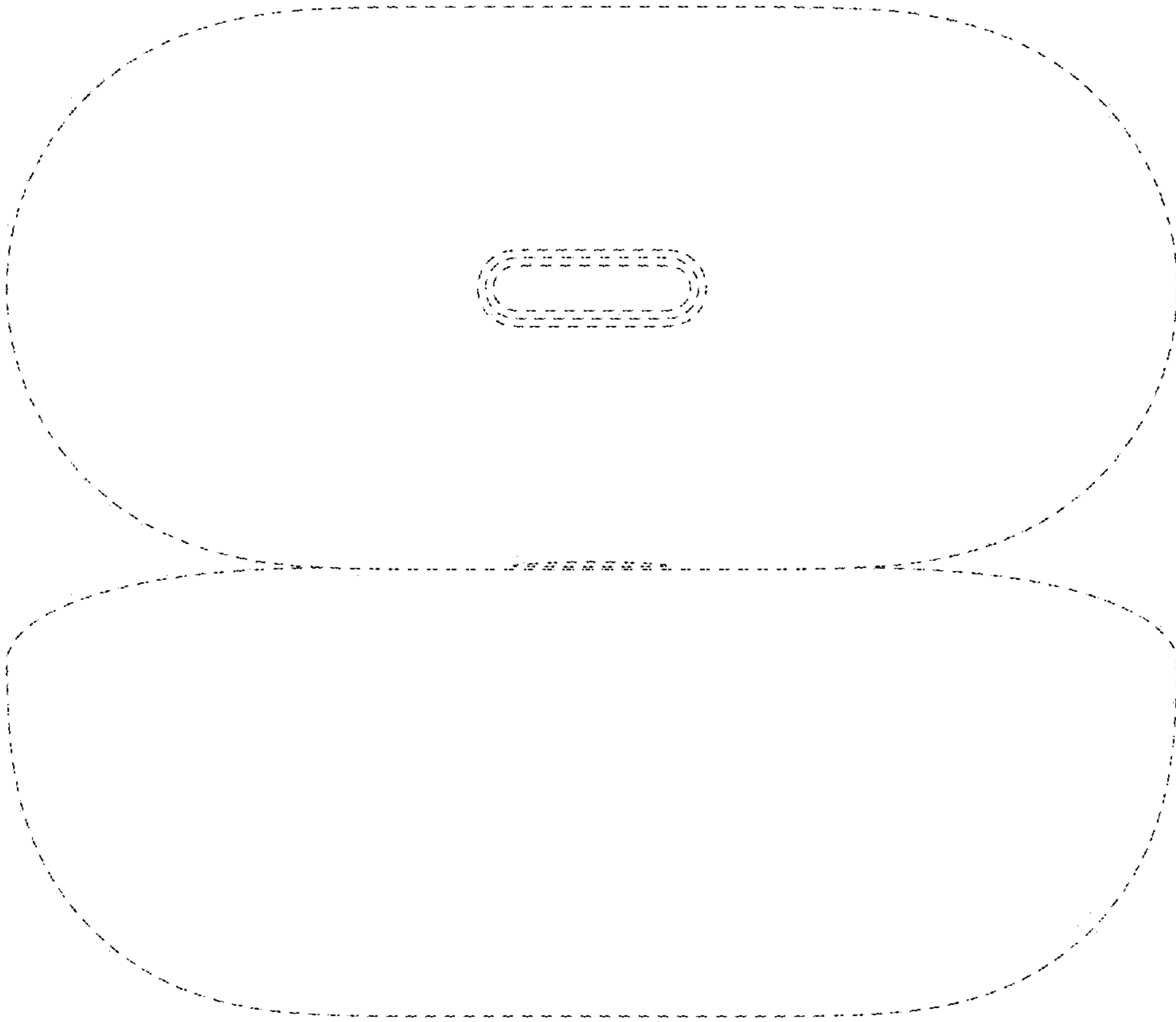


FIG. 7

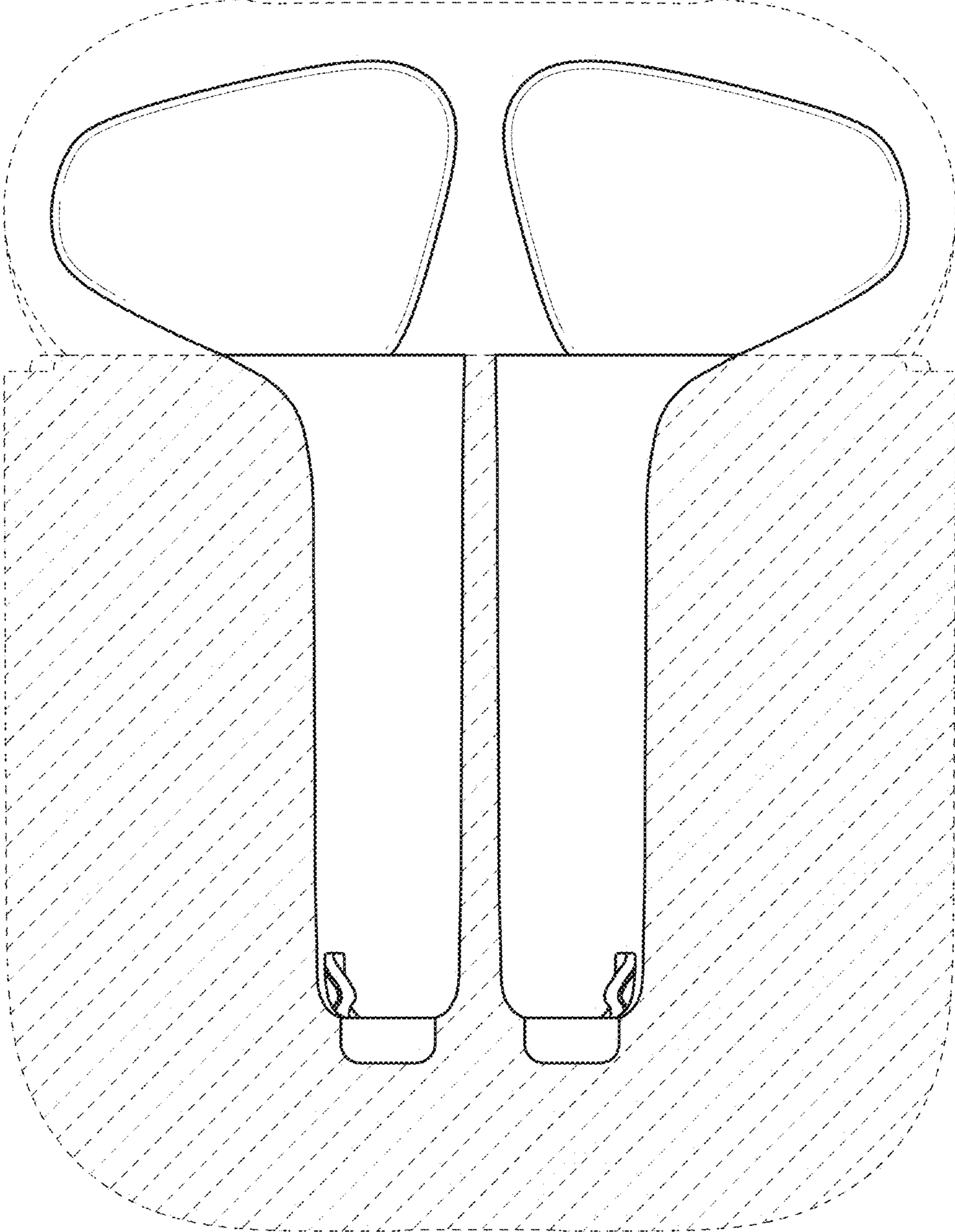


FIG. 8

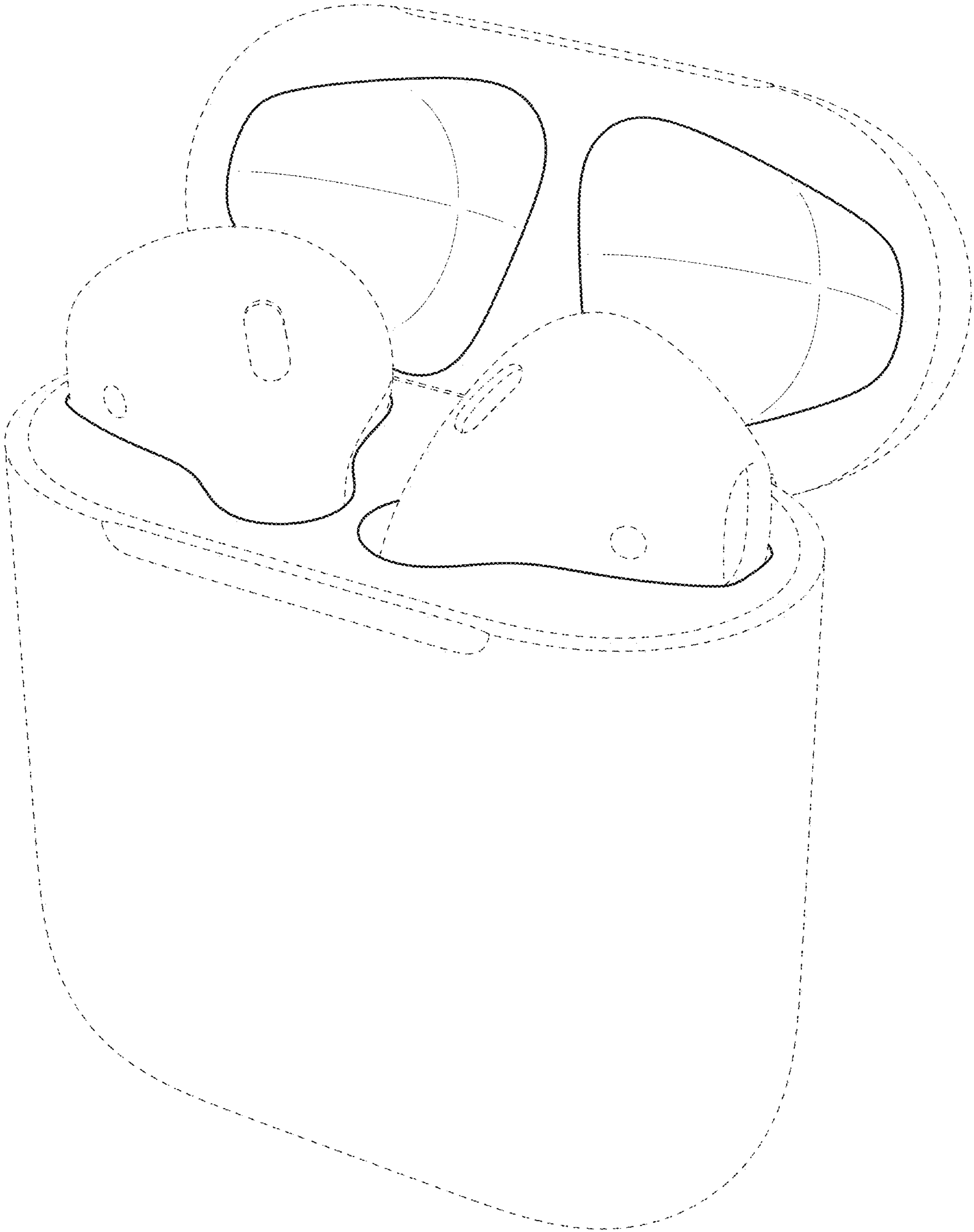


FIG. 9