



US00D980627S

(12) **United States Design Patent**
McCarthy

(10) **Patent No.:** **US D980,627 S**
(45) **Date of Patent:** **** Mar. 14, 2023**

(54) **HYDRATION BELT COVER**
(71) Applicant: **Burkie LLC**, Peterborough, NH (US)
(72) Inventor: **Laura McCarthy**, Hollis, NH (US)
(73) Assignee: **Lindsey Masterson**, Peterborough, NH (US)

4,729,499 A * 3/1988 Martin A45F 5/00
224/181
D417,951 S * 12/1999 deMontagnac D3/215
D619,795 S * 7/2010 McBride D2/961
D653,018 S * 1/2012 Webbe D2/602
9,107,489 B1 * 8/2015 Wisniewski A45F 5/10
D740,106 S * 10/2015 Cooper D8/356

(Continued)

(**) Term: **15 Years**

(21) Appl. No.: **29/738,391**

(22) Filed: **Jun. 17, 2020**

(51) **LOC (14) Cl.** **03-01**

(52) **U.S. Cl.**
USPC **D3/318; D3/327**

(58) **Field of Classification Search**
USPC D3/18-20, 231-233, 239-246, 318-325,
D3/327, 247-252, 202, 207, 215, 218,
D3/229; D2/627-640, 946, 971, 976,
D2/916, 925, 934; D11/1-18, 31, 81,
D11/200, 201, 204, 211, 216, 219, 231,
D11/234, 26, 30, 62, 237, 34, 78, 131;
D7/392.1, 619.1, 393; D28/7;
D9/503-504; D6/710, 718; D8/355, 300,
D8/356; D24/189, 206; D21/694;
D19/32
CPC .. A45C 1/024; A45C 3/06; A45C 3/08; A45F
5/00; A45F 5/10

See application file for complete search history.

(56) **References Cited**

U.S. PATENT DOCUMENTS

1,666,623 A * 4/1928 Hoover B65D 63/14
24/18
2,924,413 A * 2/1960 Mahoney A61J 9/0676
224/614
3,187,446 A * 6/1965 Boldemann A43B 23/30
D2/915
4,508,249 A * 4/1985 Kotchy F21L 15/14
224/267
D289,008 S * 3/1987 Hamel D8/356

FOREIGN PATENT DOCUMENTS

CN 305556107 * 1/2020
GB 6079229 * 12/2019
JP D1562602 * 11/2016

OTHER PUBLICATIONS

Amazon.com, Site visited Mar. 30, 2022, Chefmade Popsicle Molds with sticks, First available May 29, 2019, <https://www.amazon.com/CHEFMADE-Silicone-Popsicle-Classical-Easy-release/dp/B07SDGLWP4/?th=1> (Year: 2019).*

(Continued)

Primary Examiner — Brett Miller
Assistant Examiner — Jessica M Gebhart
(74) *Attorney, Agent, or Firm* — Preti Flaherty Beliveau & Pachios LLP

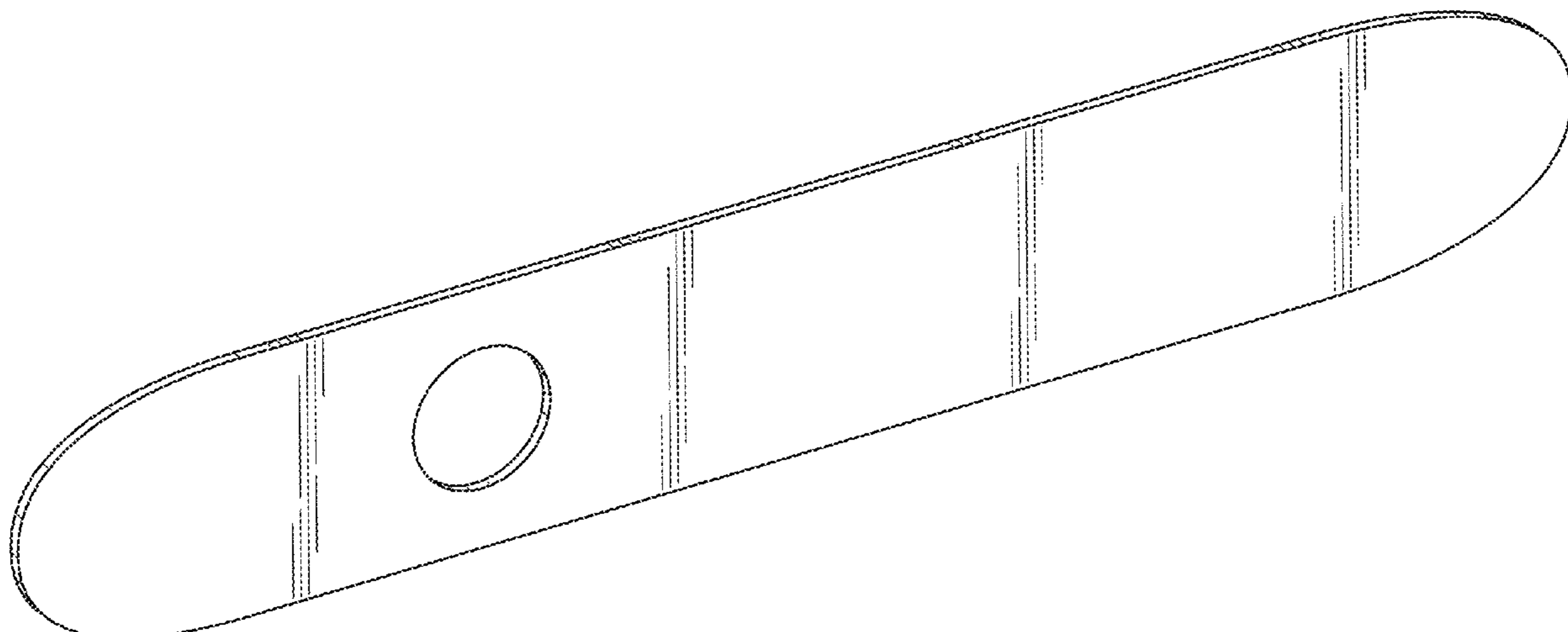
(57) **CLAIM**

I claim the ornamental design for a hydration belt cover, as shown.

DESCRIPTION

FIG. 1 is a front perspective view of the hydration belt cover according to the present invention;
FIG. 2 is a top view of the hydration belt cover according to the present invention;
FIG. 3 is a bottom view of the hydration belt cover;
FIG. 4 is a left end view of the hydration belt cover, the right end view being a mirror image thereof; and,
FIG. 5 is a front edge view of the hydration belt cover, the back edge view being a mirror image thereof.

1 Claim, 3 Drawing Sheets



(56)

References Cited

U.S. PATENT DOCUMENTS

D761,089	S *	7/2016	Chen	D8/356
D767,388	S *	9/2016	Slovis	D3/315
D796,273	S *	9/2017	Knauf	D7/672
D887,716	S *	6/2020	Li	D3/327
D887,717	S *	6/2020	Li	D3/327
D944,489	S *	3/2022	Wexelbaum	D2/627
2002/0066459	A1 *	6/2002	Turina	A45D 29/04 132/76.4
2013/0181022	A1 *	7/2013	Bogoslofski	A45F 5/00 224/250
2019/0090621	A1 *	3/2019	Yoo	A45F 5/00
2019/0104623	A1 *	4/2019	Backus	F16B 1/00
2019/0298047	A1 *	10/2019	Vanettes	A45C 13/1069

OTHER PUBLICATIONS

Amazon.com, Site visited Mar. 30, 2022, Hood Straps by Koxuyim, First available Jun. 15, 2020, <https://www.amazon.com/koxuyim-Straps-Rubber-Compatible-Massimo/dp/B08B5XTK4Q> (Year: 2020).*

Inspiredbycharm.com, Site visited Mar. 30, 2022, "DIY Felt Cable Organizers," published on May 25, 2016 <https://inspiredbycharm.com/diy-felt-cable-organizers/> (Year: 2016).*

Amazon.com, Site visited Mar. 30, 2022, Impresa Rubber Strap, First available Apr. 23, 2020, <https://www.amazon.com/IMPRESA-Replacement-Rubber-Cradle-Compatible/dp/B087K1PWYR> (Year: 2020).*

Amazon.com, Site visited Mar. 30, 2022, Glarks Flat Straight Brace Brackets, First available Nov. 25, 2018, <https://www.amazon.com/Glarks-35-Pieces-Stainless-Straight-Connector/dp/B07KVQFBZ5> (Year: 2018).*

Amazon.ca, Site visited Nov. 3, 2022, Senhai LED Slap Bracelet, first available Sep. 7, 2016, <https://www.amazon.ca/SENHAI-Bracelets-Running-Walking-Armbands/dp/B01LNCK292> (Year: 2016).*

Amazon.com, Site visited Nov. 3, 2022, Milisten Heating Warmer Therapy Hand Wrap, first available Dec. 4, 2019, <https://www.amazon.com/Milisten-Adjustable-Protection-Tendinitis-Arthritis/dp/B0829WPPS8> (Year: 2019).*

* cited by examiner

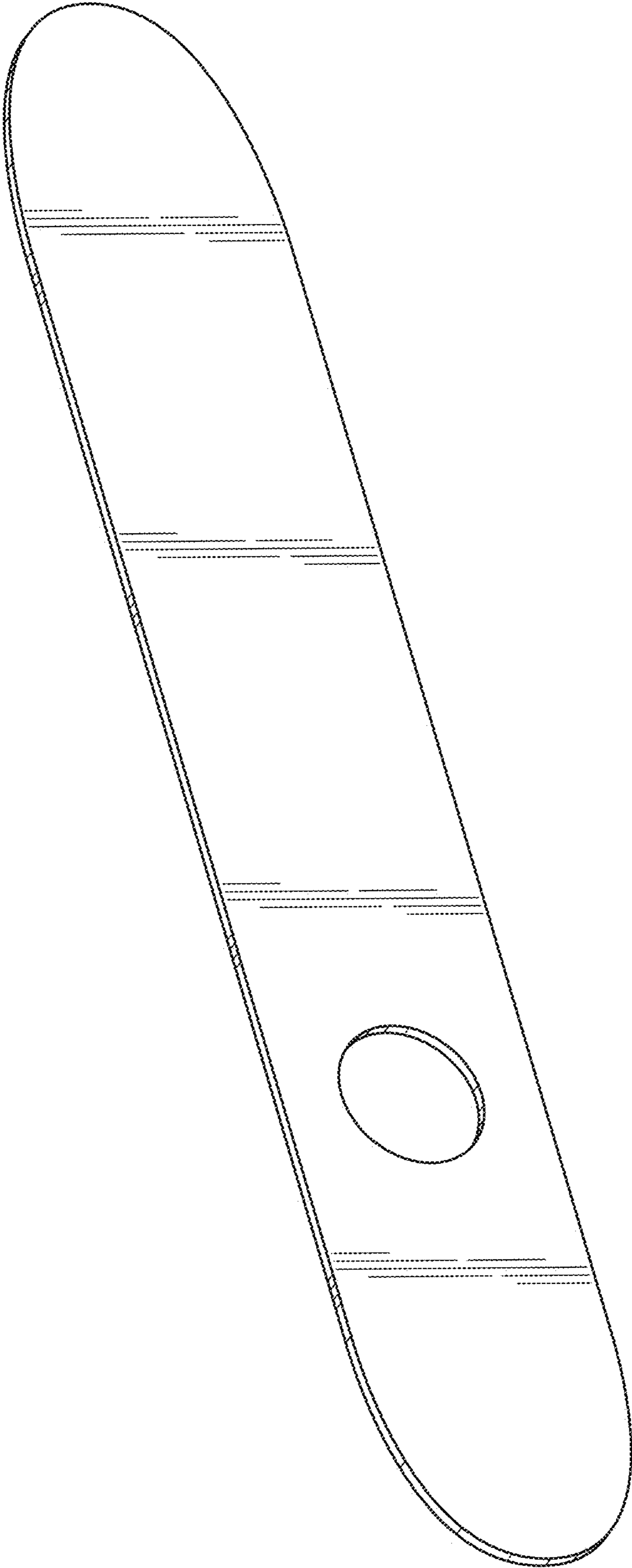


FIG. 1

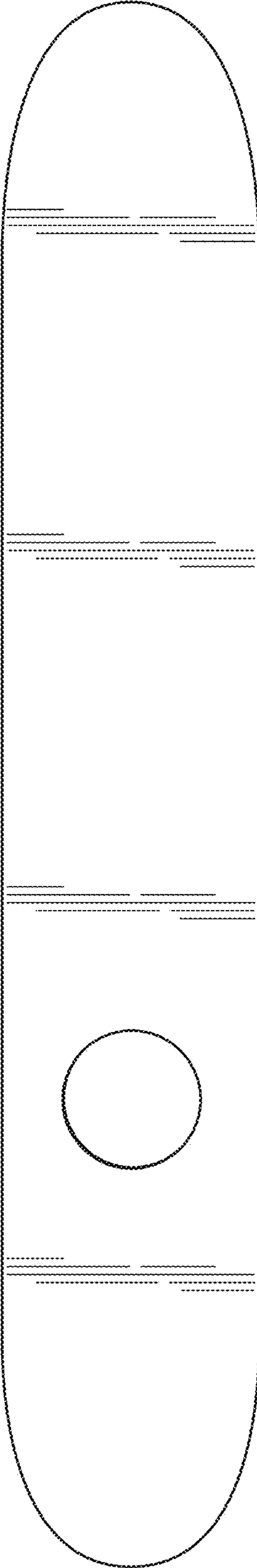


FIG. 2

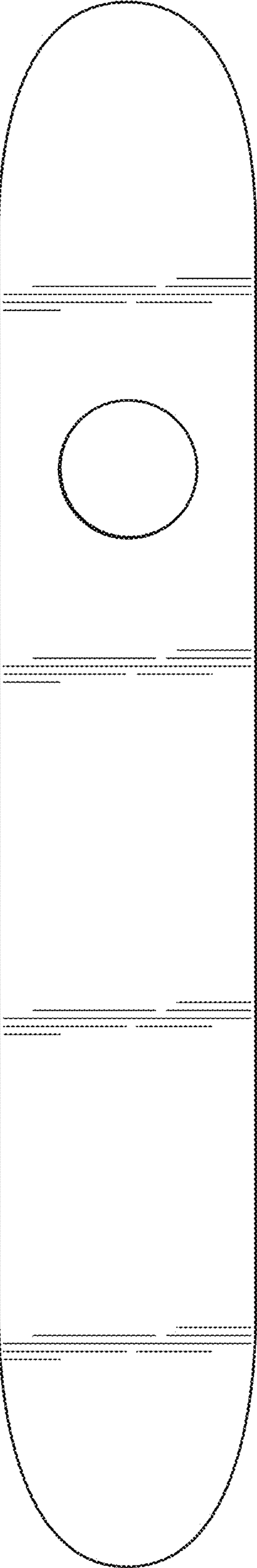


FIG. 3

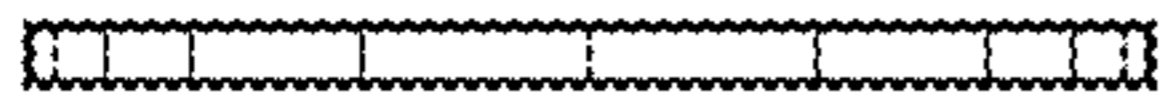


FIG. 4



FIG. 5