



US00D980624S

(12) **United States Design Patent**
McKenna et al.

(10) **Patent No.:** **US D980,624 S**
(45) **Date of Patent:** **** Mar. 14, 2023**

(54) **TOY BAG**

(71) Applicant: **Spin Master Ltd.**, Toronto (CA)

(72) Inventors: **Sean McKenna**, Toronto (CA);
Vanessa R. Raponi, Toronto (CA)

(73) Assignee: **SPIN MASTER LTD.**, Toronto (CA)

(**) Term: **15 Years**

(21) Appl. No.: **29/786,365**

(22) Filed: **May 31, 2021**

(51) **LOC (14) Cl.** **03-01**

(52) **U.S. Cl.**
USPC **D3/235**; D21/655

(58) **Field of Classification Search**
USPC D3/215–217, 226, 232–235, 238,
D3/242–243, 245–246, 270–271.2,
D3/273–274, 301, 318–319, 321, 328;
D21/420, 576, 585, 587, 597, 600, 610,
D21/617, 655

CPC A45F 3/04; A45F 3/042; A45F 2003/003;
A45F 4/02; A45F 2003/001; A63H 3/005;
A63H 3/02; A63H 2200/00; A63H 13/00

See application file for complete search history.

(56) **References Cited**

U.S. PATENT DOCUMENTS

D176,947 S *	2/1956	Kather	D3/235
D189,955 S *	3/1961	Kather	D3/235
D189,956 S *	3/1961	Kather	D3/235
3,867,971 A	2/1975	Hazan	
4,103,455 A	8/1978	Silvey	
D302,766 S *	8/1989	Johnston	D3/243
D324,770 S *	3/1992	Dixsaut	D3/243
D335,027 S *	4/1993	Flood	D3/238
5,304,087 A	4/1994	Terzian et al.	
D438,700 S *	3/2001	Willingham	A45F 3/04 D3/270
6,247,730 B1	6/2001	Henderson et al.	

D457,313 S *	5/2002	Clark	D3/276
6,875,074 B1	4/2005	Morris et al.	
D632,480 S *	2/2011	LaCorte	D3/232

(Continued)

FOREIGN PATENT DOCUMENTS

CN	206 472 990 U	9/2017
CN	107866077 A	4/2018

(Continued)

OTHER PUBLICATIONS

Screen capture from YouTube video clip entitled “Introducing Wow Packs! The world’s first animated backpack!,” 1 page, uploaded on Jun. 17, 2013 by user “Wow! Stuff” [retrieved Aug. 26, 2021]. Retrieved from Internet: <<https://www.youtube.com/watch?v=MMetDOPEvsw>>.

(Continued)

Primary Examiner — Jennifer L Watkins
Assistant Examiner — Samantha Lynne Brodowski
(74) *Attorney, Agent, or Firm* — Aird & McBurney LP

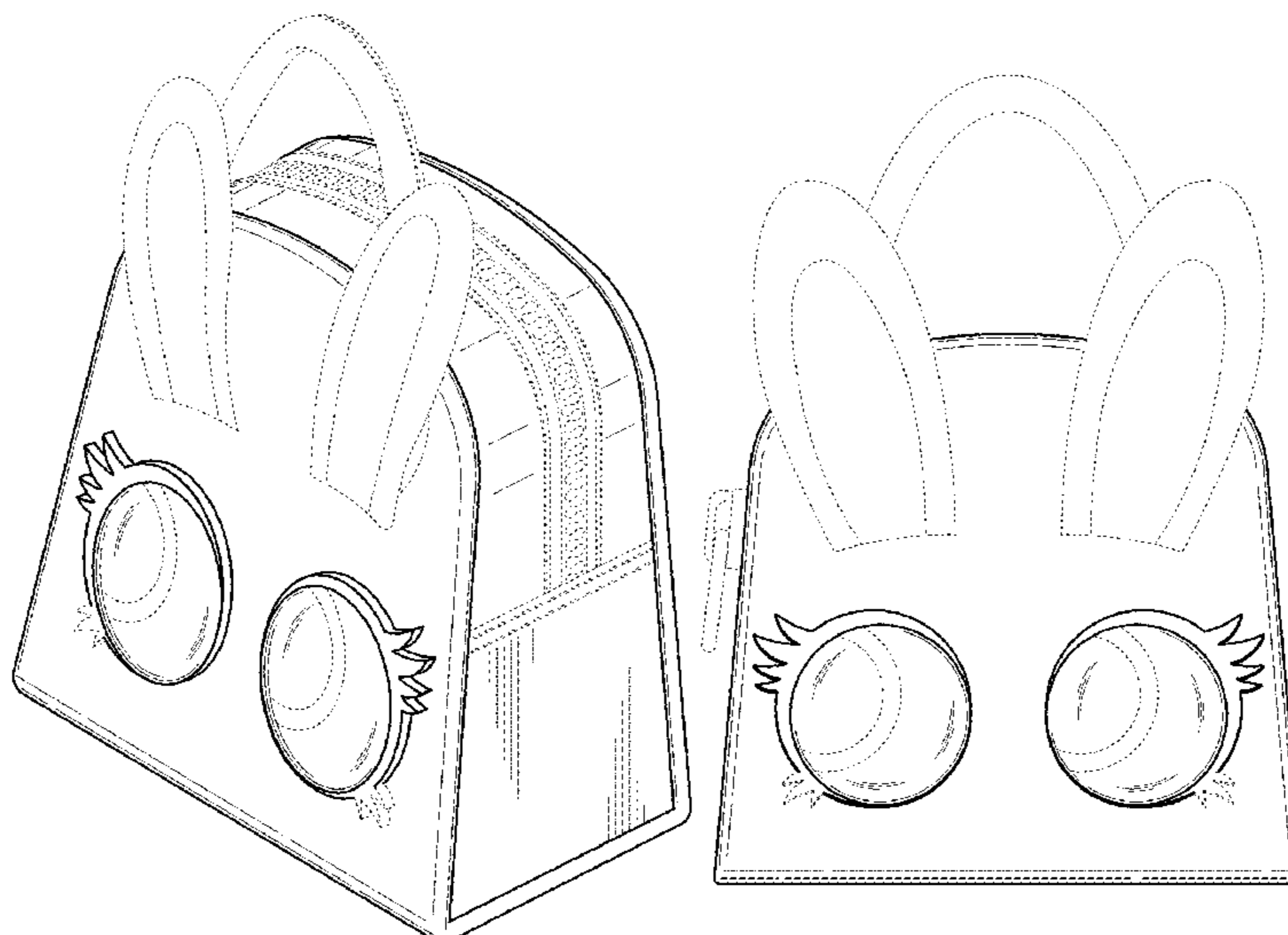
(57) **CLAIM**

The ornamental design for a toy bag, as shown and described.

DESCRIPTION

FIG. 1 is a perspective view from above, to the front and to the left side of the new design for a toy bag;
FIG. 2 is a front view thereof;
FIG. 3 is a rear view thereof;
FIG. 4 is a right side view thereof;
FIG. 5 is a left side view thereof;
FIG. 6 is a top plan view thereof; and,
FIG. 7 is a bottom plan view thereof.
In the drawings, the broken lines are for the purpose of illustrating portions of the article that form no part of the claimed design.

1 Claim, 5 Drawing Sheets



(56)

References Cited

U.S. PATENT DOCUMENTS

D668,451 S * 10/2012 Katoh D3/232
 8,674,211 B1 3/2014 Palmer et al.
 D715,540 S * 10/2014 Ghisellini D3/232
 D720,132 S * 12/2014 Zhou D3/234
 9,155,973 B2 10/2015 Hengel et al.
 D745,265 S * 12/2015 Jabbour, Jr. D3/217
 9,215,914 B2 12/2015 Strong
 9,474,981 B1 10/2016 Forti
 D785,102 S * 4/2017 Ruffin, Jr. D21/655
 D803,550 S * 11/2017 Shaholli D3/216
 D804,167 S * 12/2017 Shaholli D3/216
 D809,785 S * 2/2018 Lee D3/217
 D827,296 S * 9/2018 Sun D3/234
 D847,498 S * 5/2019 Dumas A45C 11/005
 D3/232
 10,674,801 B2 6/2020 Noguera Ramis
 D919,961 S * 5/2021 Sprintz D3/217
 D932,180 S * 10/2021 Lin D3/217
 D947,296 S * 3/2022 Luo D21/655
 D951,630 S * 5/2022 Abluh D3/243

11,419,399 B1* 8/2022 McKenna A45C 13/08
 2009/0293999 A1 12/2009 Bravo-Olsher et al.
 2019/0231045 A1 8/2019 Jian

FOREIGN PATENT DOCUMENTS

ES 2288324 B1 10/2008
 IT PI20 100 053 A1 10/2011

OTHER PUBLICATIONS

Screen capture from YouTube video clip entitled “Electronic Wow Packs Cutezee the Kitten from Wow Stuff,” 1 page, uploaded on Jan. 24, 2014 by user “TTPM Toy Reviews” [retrieved Aug. 26, 2021]. Retrieved from Internet: <<https://www.youtube.com/watch?v=CzRN36xdCN0>>.

Screen capture of “Cat Suitcase”, XP055822985, published Mar. 12, 2017 [retrieved Jul. 9, 2021]. Retrieved from Internet: <<https://www.toxel.com/tech/2017/03/12/cat-suitcase/>>.

EP21158521, European Search Report, European Patent Office, dated Jul. 20, 2021.

* cited by examiner

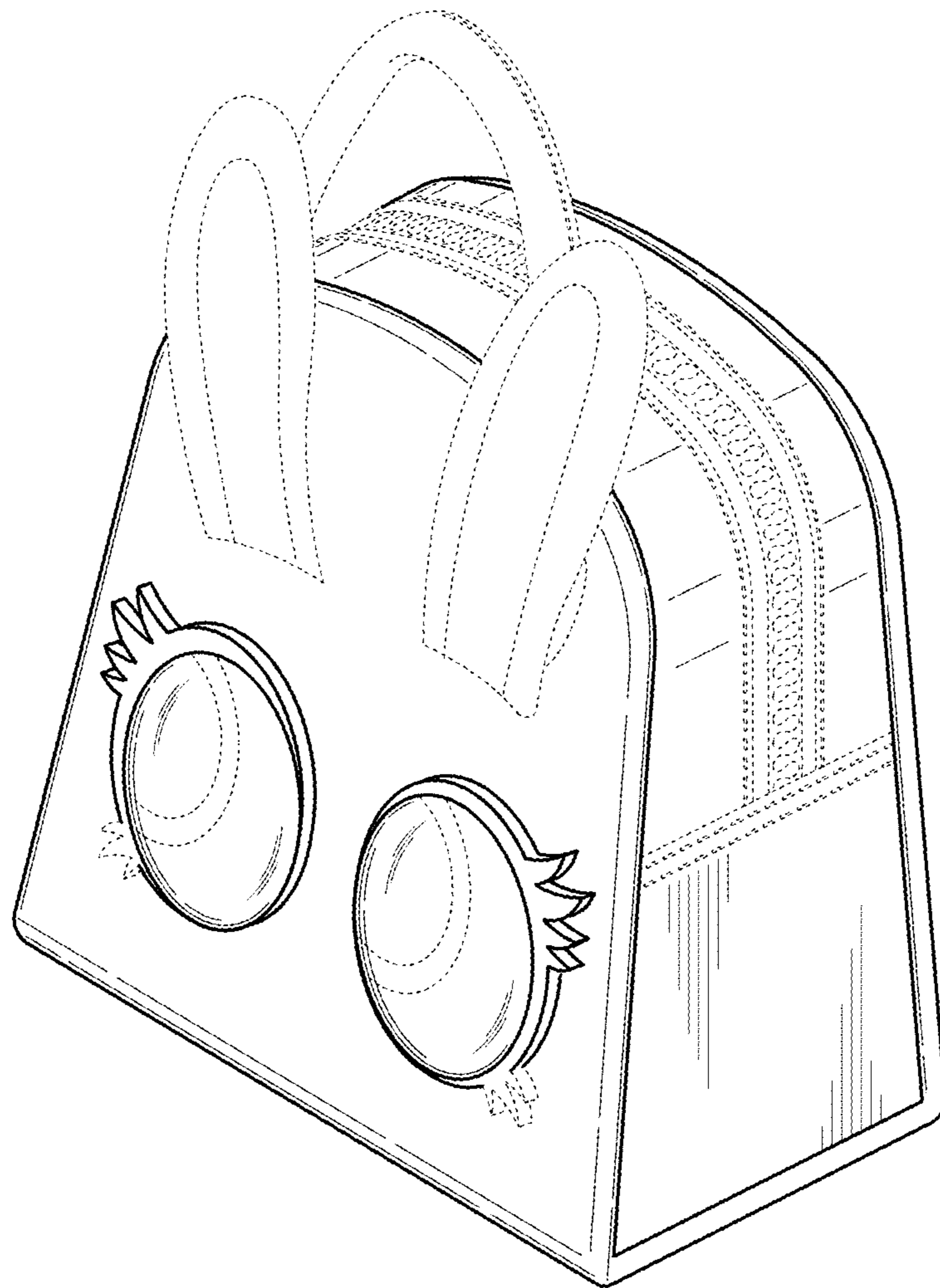


FIG. 1

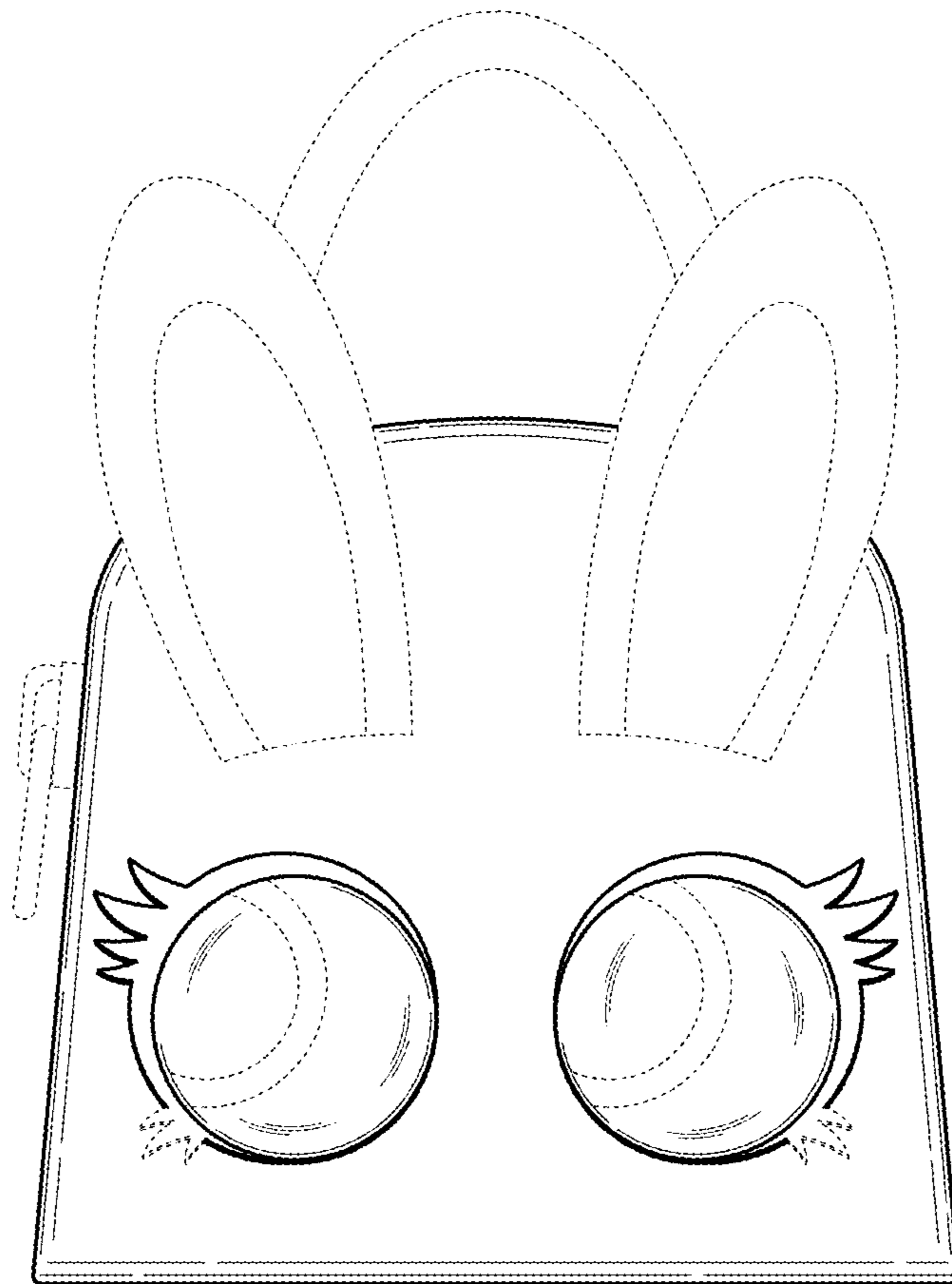


FIG. 2

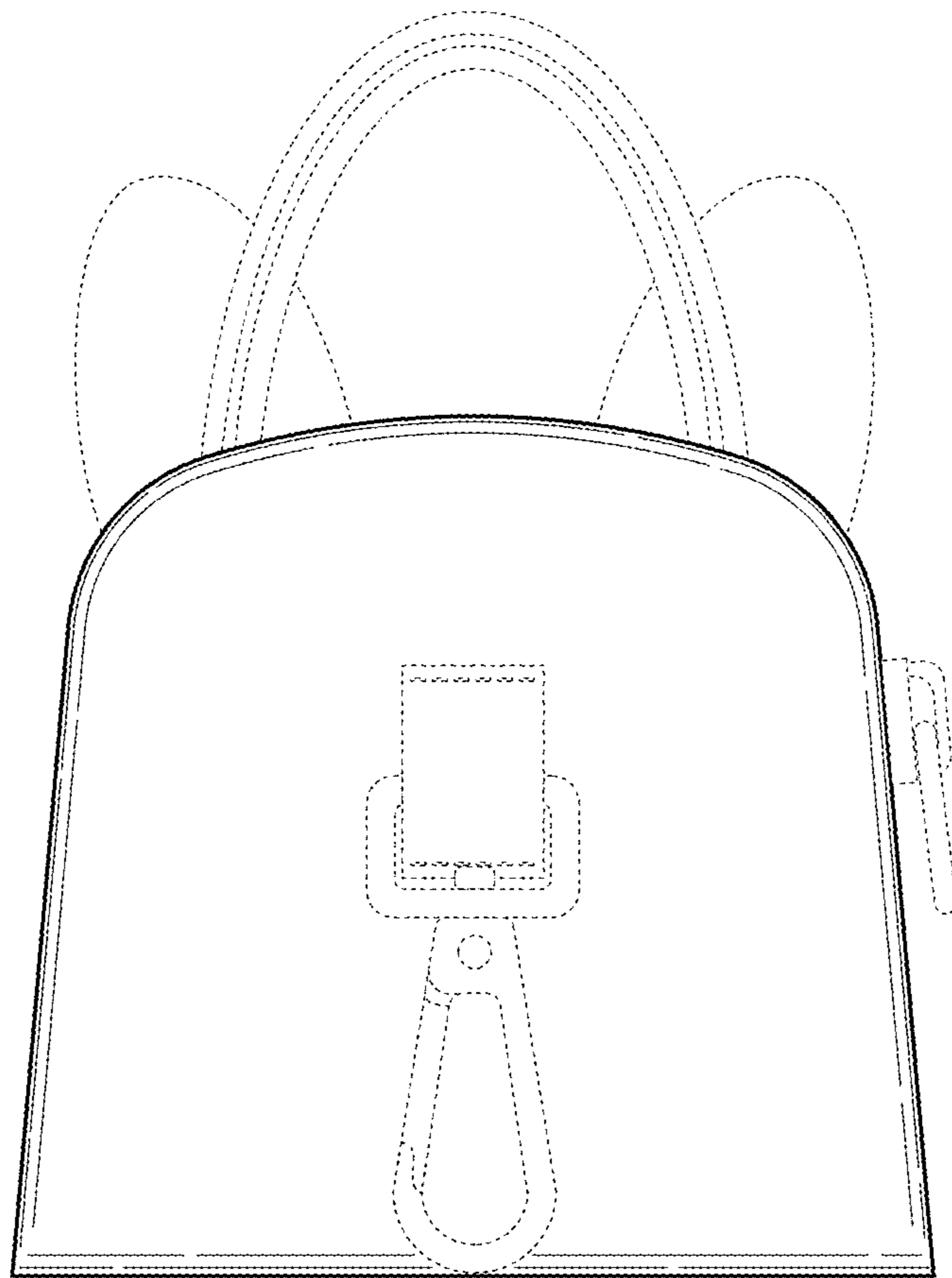


FIG. 3

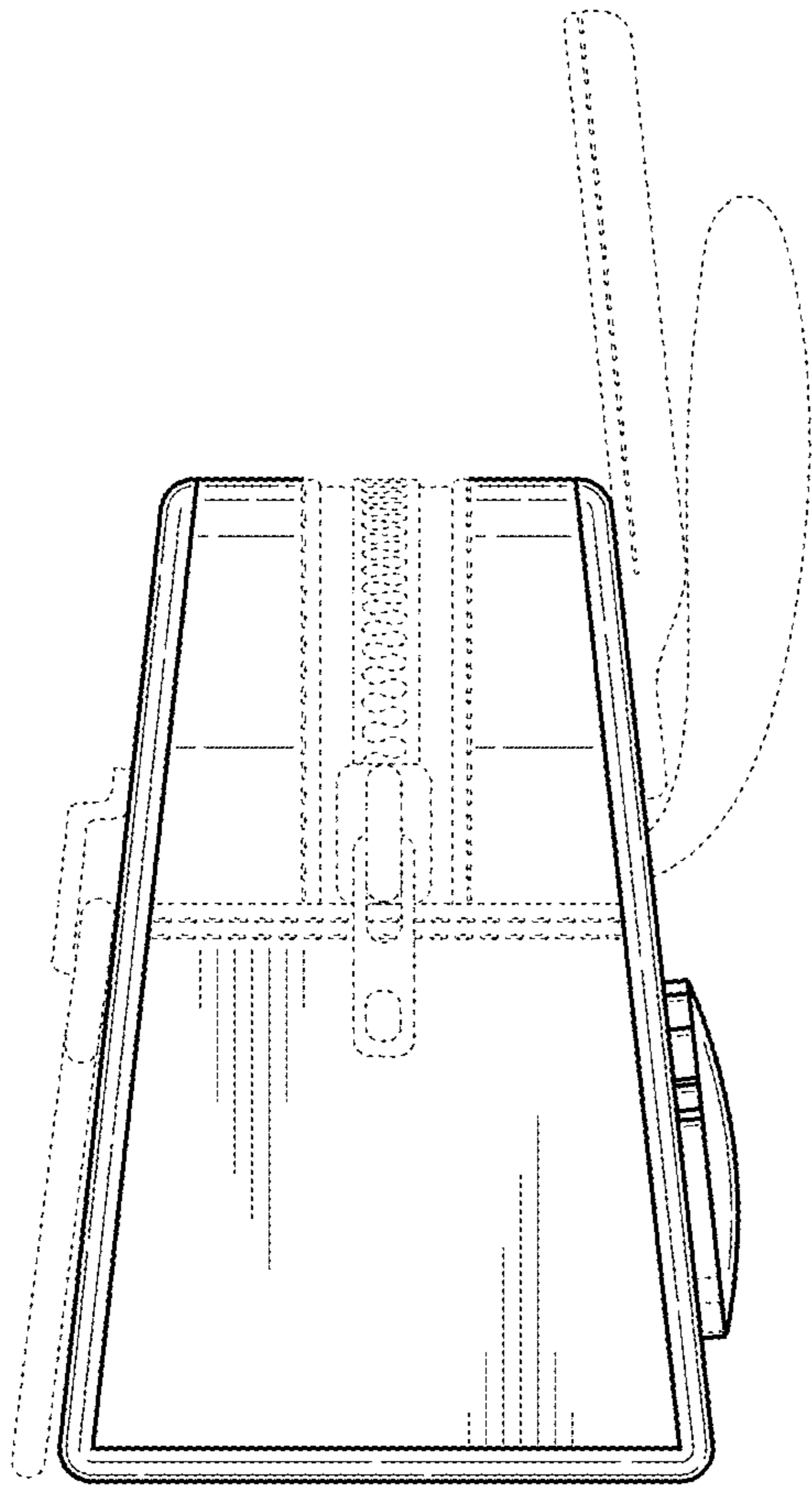


FIG. 4

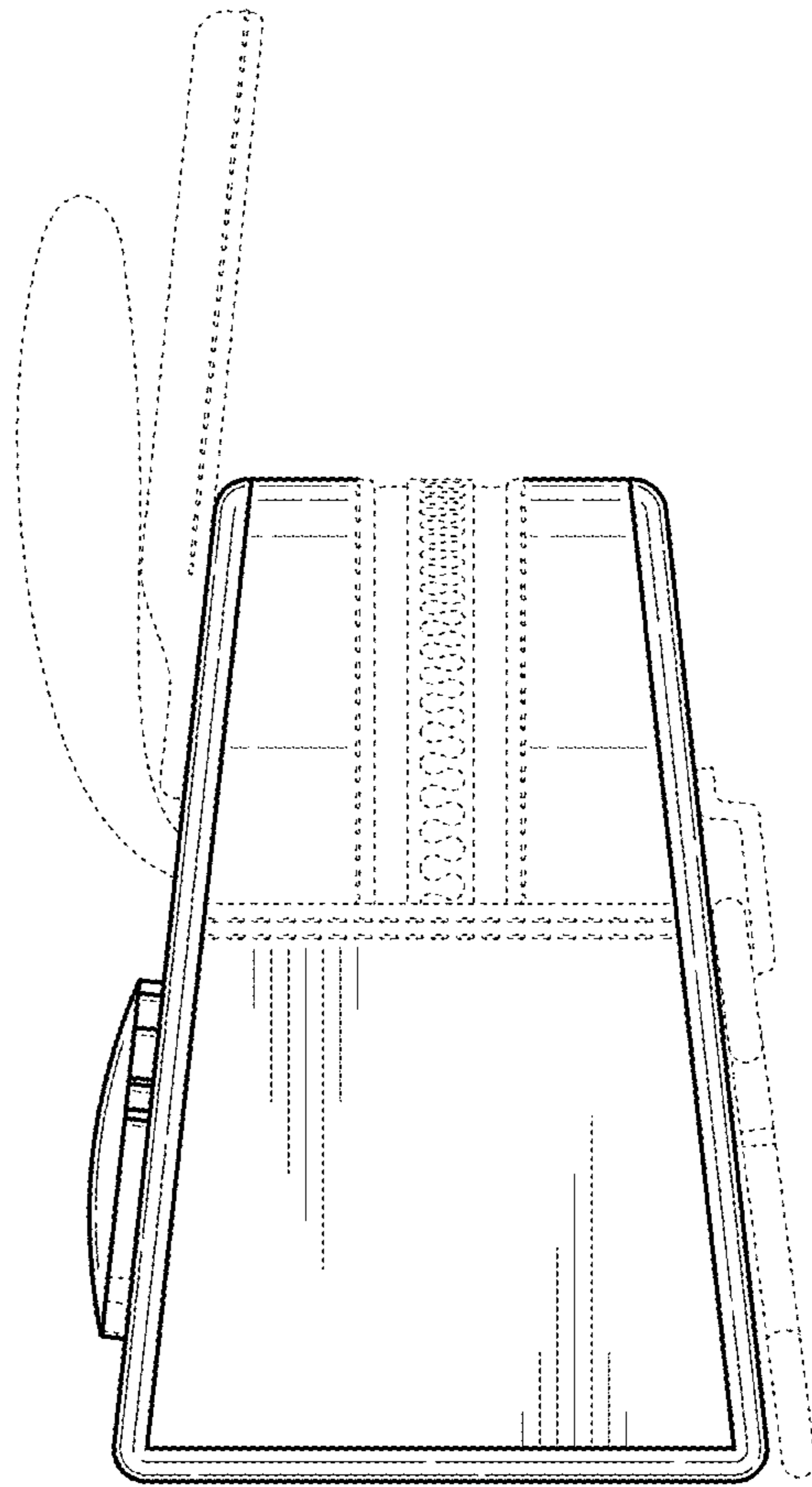


FIG. 5

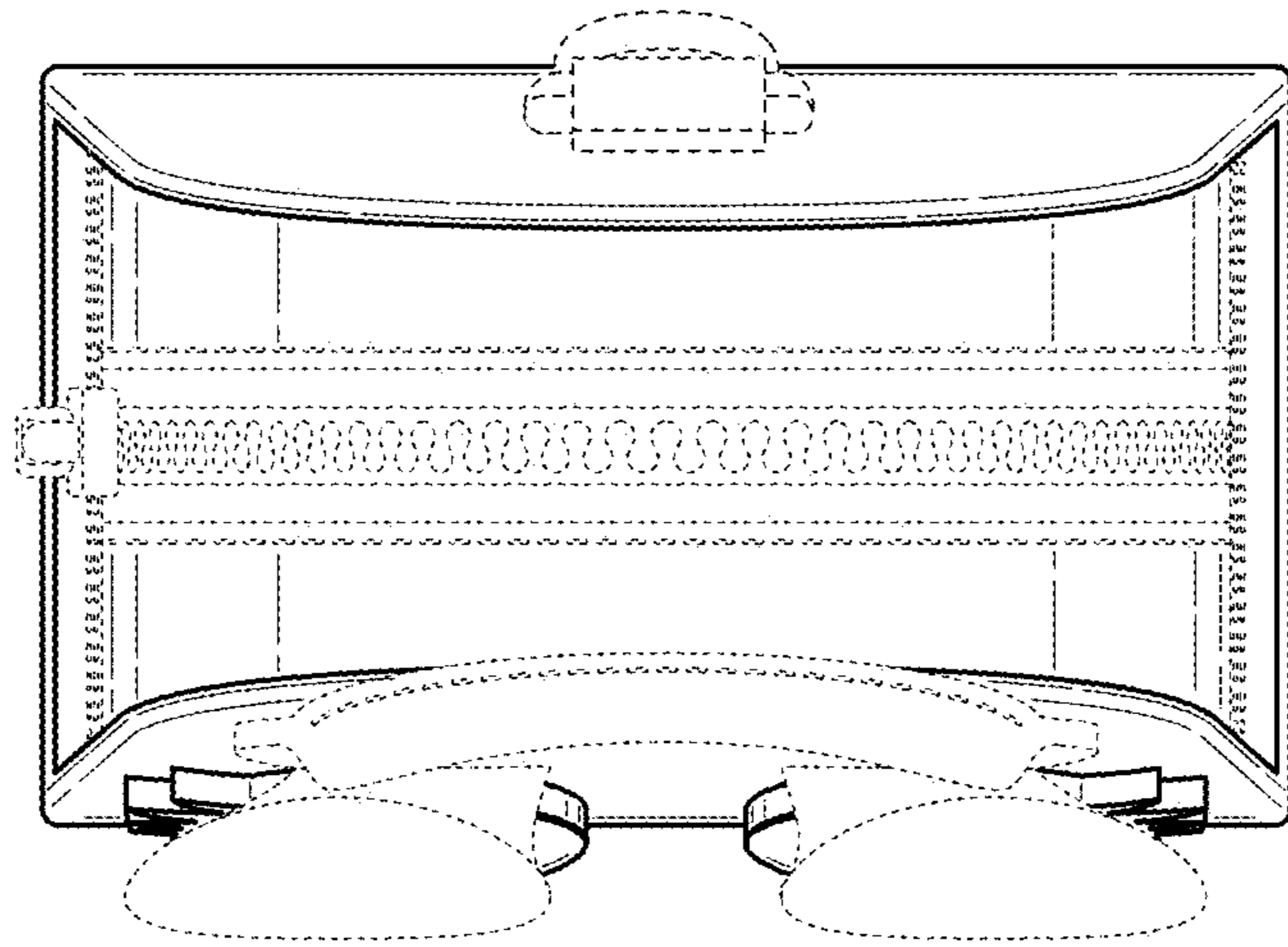


FIG. 6

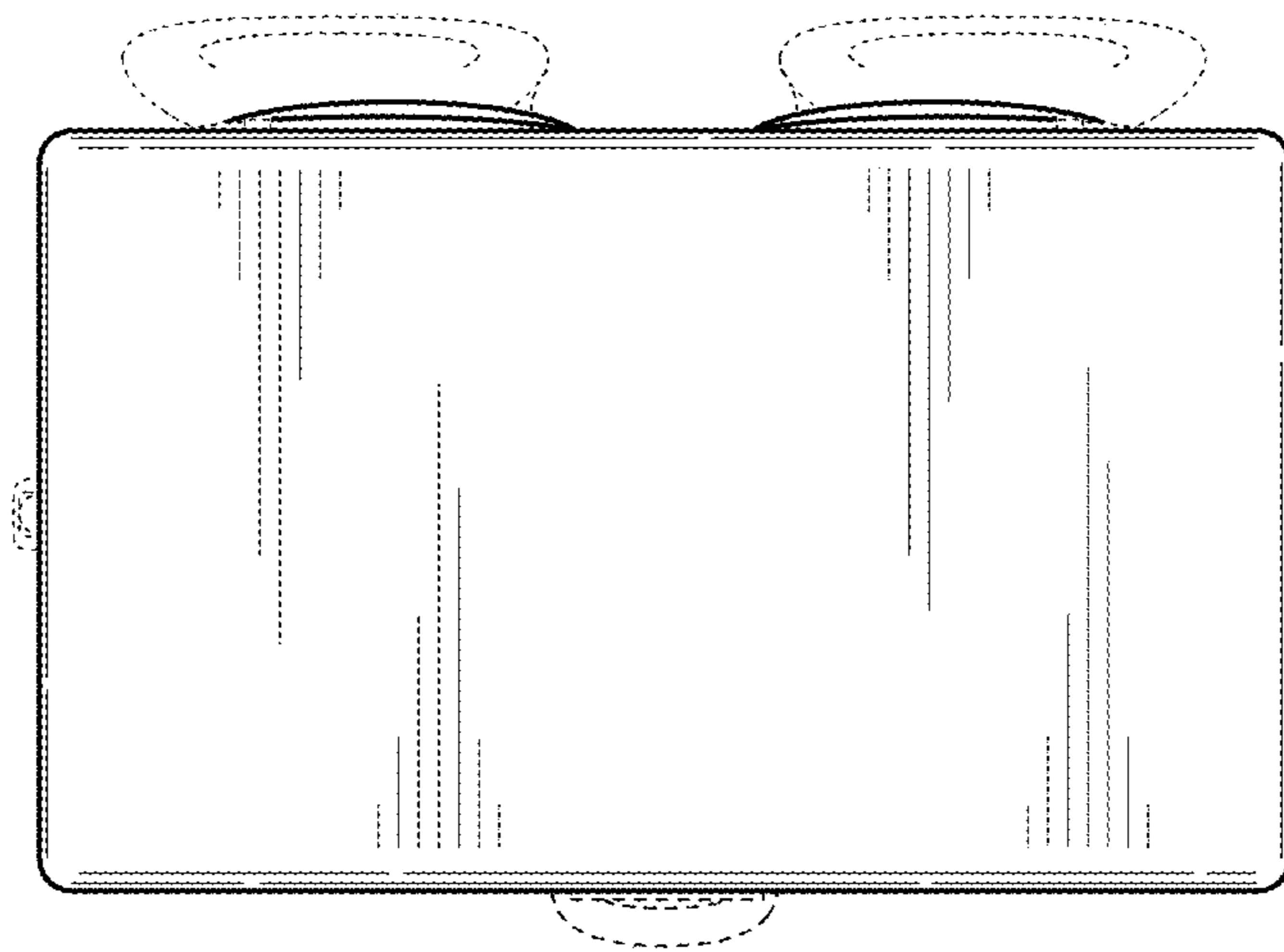


FIG. 7