



US00D980621S

(12) **United States Design Patent** (10) **Patent No.:** **US D980,621 S**
He (45) **Date of Patent:** **** Mar. 14, 2023**

(54) **ARMBAND**

(71) Applicant: **Wan Rong Ronald He**, San Diego, CA (US)

(72) Inventor: **Wan Rong Ronald He**, San Diego, CA (US)

(**) Term: **15 Years**

(21) Appl. No.: **29/807,017**

(22) Filed: **Sep. 8, 2021**

(51) **LOC (14) Cl.** **03-01**

(52) **U.S. Cl.**
USPC **D3/203.8**; D24/169

(58) **Field of Classification Search**
USPC D3/215, 218, 203.8; D14/240, 250–251, D14/253, 440, 344; D24/169; D11/3
CPC G04B 37/00; G04B 37/12; G04B 47/06; G04B 47/063
See application file for complete search history.

(56) **References Cited**

U.S. PATENT DOCUMENTS

D528,439 S *	9/2006	Burton	D10/38
8,205,370 B2 *	6/2012	Padgett	A61B 90/94
				40/633
D688,968 S *	9/2013	Guerrero, II	D11/3
D738,772 S *	9/2015	Choi	D11/3
D763,719 S *	8/2016	Nielsen	D11/3
D767,435 S *	9/2016	Lee	D11/3
D816,229 S *	4/2018	Frick	D24/169
D831,831 S *	10/2018	Newhouse	D24/169
D842,996 S *	3/2019	Frick	D24/169

(Continued)

OTHER PUBLICATIONS

Divoti Badge Sensor Cover Compatible for Dexcom G6, first available Mar. 23, 2022, amazon.com [online], [site visited Dec. 23,

2022], Available at URL: <https://www.amazon.com/Divoti-Compatible-Adjustable-Take-Off-No-Irritating/dp/B09W684FC5/> (Year: 2022).*

(Continued)

Primary Examiner — Jeffrey D Asch

Assistant Examiner — Caitlin A Laverty

(74) *Attorney, Agent, or Firm* — Alexander Postnikov

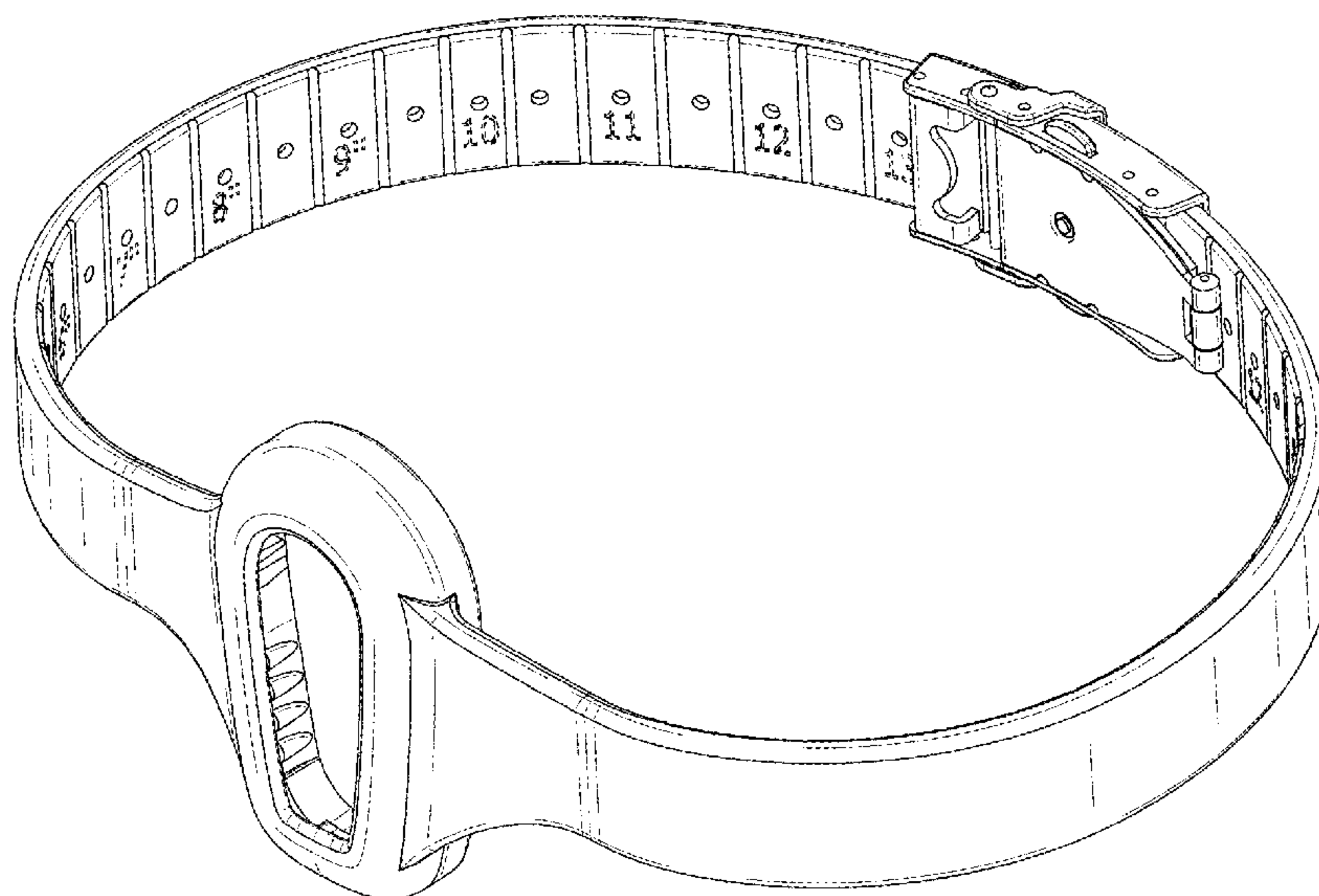
(57) **CLAIM**

The ornamental design for an armband, as shown and described.

DESCRIPTION

FIG. 1 is a front right top perspective view of an armband showing my new design;
 FIG. 2 is a back left bottom perspective view thereof;
 FIG. 3 is a front view thereof;
 FIG. 4 is a back view thereof;
 FIG. 5 is a left-side view thereof;
 FIG. 6 is a right-side view thereof;
 FIG. 7 is a top view thereof;
 FIG. 8 is a bottom view thereof;
 FIG. 9 is an enlarged fragmentary view thereof showing the back and top of the rear clasp;
 FIG. 10 is an enlarged fragmentary view thereof showing the back and bottom of the rear clasp;
 FIG. 11 is an enlarged fragmentary view thereof showing the front and top of the rear clasp;
 FIG. 12 is an enlarged fragmentary view thereof showing the front and bottom of the rear clasp;
 FIG. 13 is an enlarged fragmentary view thereof showing the back, left, and top of the front feature;
 FIG. 14 is an enlarged fragmentary view thereof showing the back, right, and top of the front feature;
 FIG. 15 is an enlarged fragmentary view thereof showing the back, left, and bottom of the front feature; and,
 FIG. 16 is an enlarged fragmentary view thereof showing the back, right, and bottom of the front feature.
 The broken lines in the drawing represent portions of the armband that form no part of the claimed design.

1 Claim, 16 Drawing Sheets



(56)

References Cited

U.S. PATENT DOCUMENTS

D850,316 S * 6/2019 Ennis D11/3
D854,960 S * 7/2019 Yu D11/3
D856,186 S * 8/2019 Kowlessar D11/79
10,466,653 B2 * 11/2019 Oh G04G 21/00
D891,286 S * 7/2020 Worth D11/3
2009/0156910 A1 * 6/2009 Kong A61B 5/14532
600/347
2015/0077257 A1 * 3/2015 Pokrajac G08B 21/02
340/572.8

OTHER PUBLICATIONS

Armband for Dexcom G6, first available Dec. 14, 2021, amazon.com [online], [site visited Dec. 23, 2022], Available at URL: <https://www.amazon.com/Adjustable-Flexible-Transmitter-Protector-Band/dp/B09NLCJ7QF/> (Year: 2021).*

Divoti Badge Sensor Cover, first available Jun. 28, 2021, amazon.sa [online], [site visited Dec. 23, 2022], Available at URL: <https://www.amazon.sa/-/en/Divoti-Freestyle-Adjustable-Take-Off-No-Irritating/dp/B092CV7G5B?th=1> (Year: 2021).*

* cited by examiner

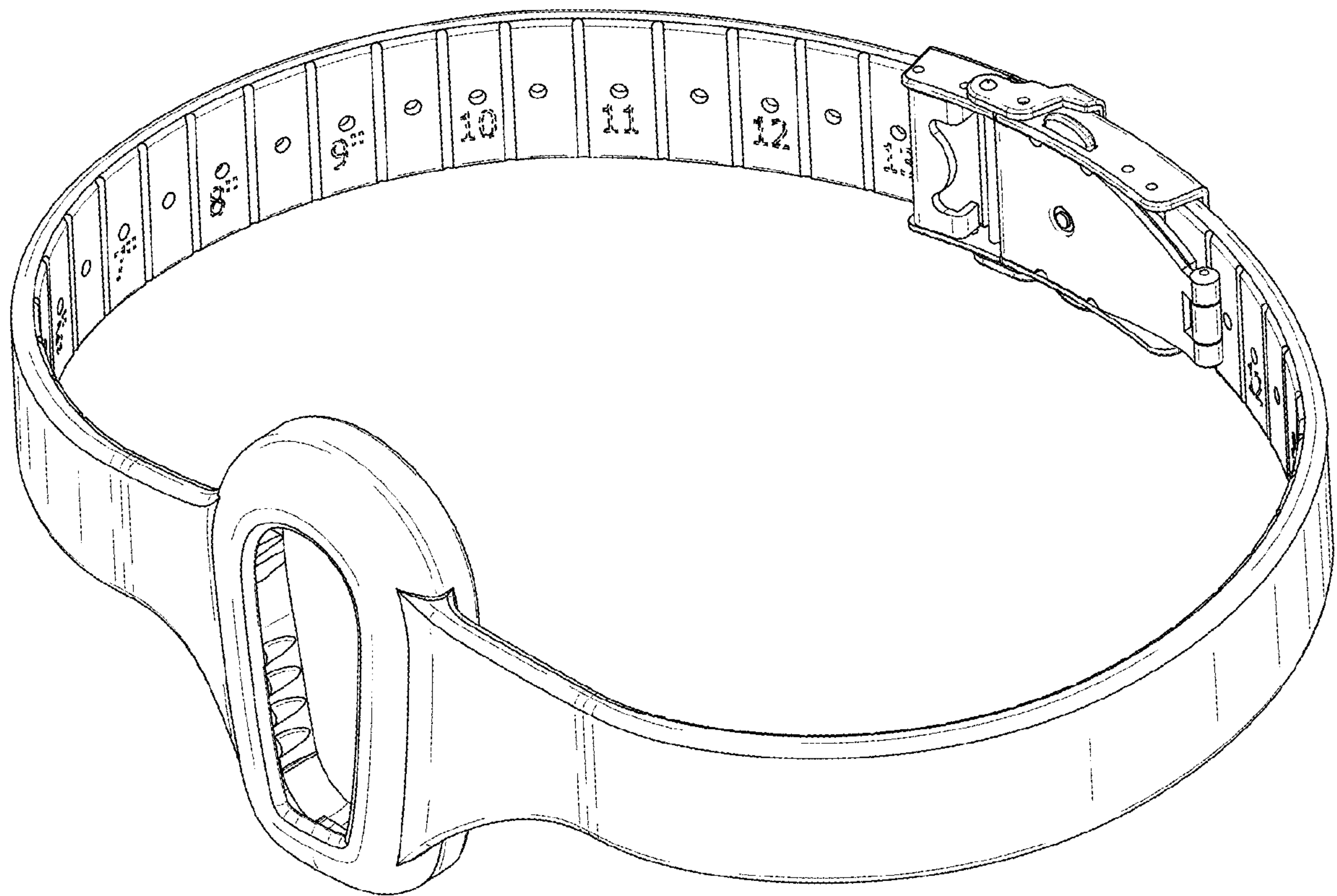


FIG. 1

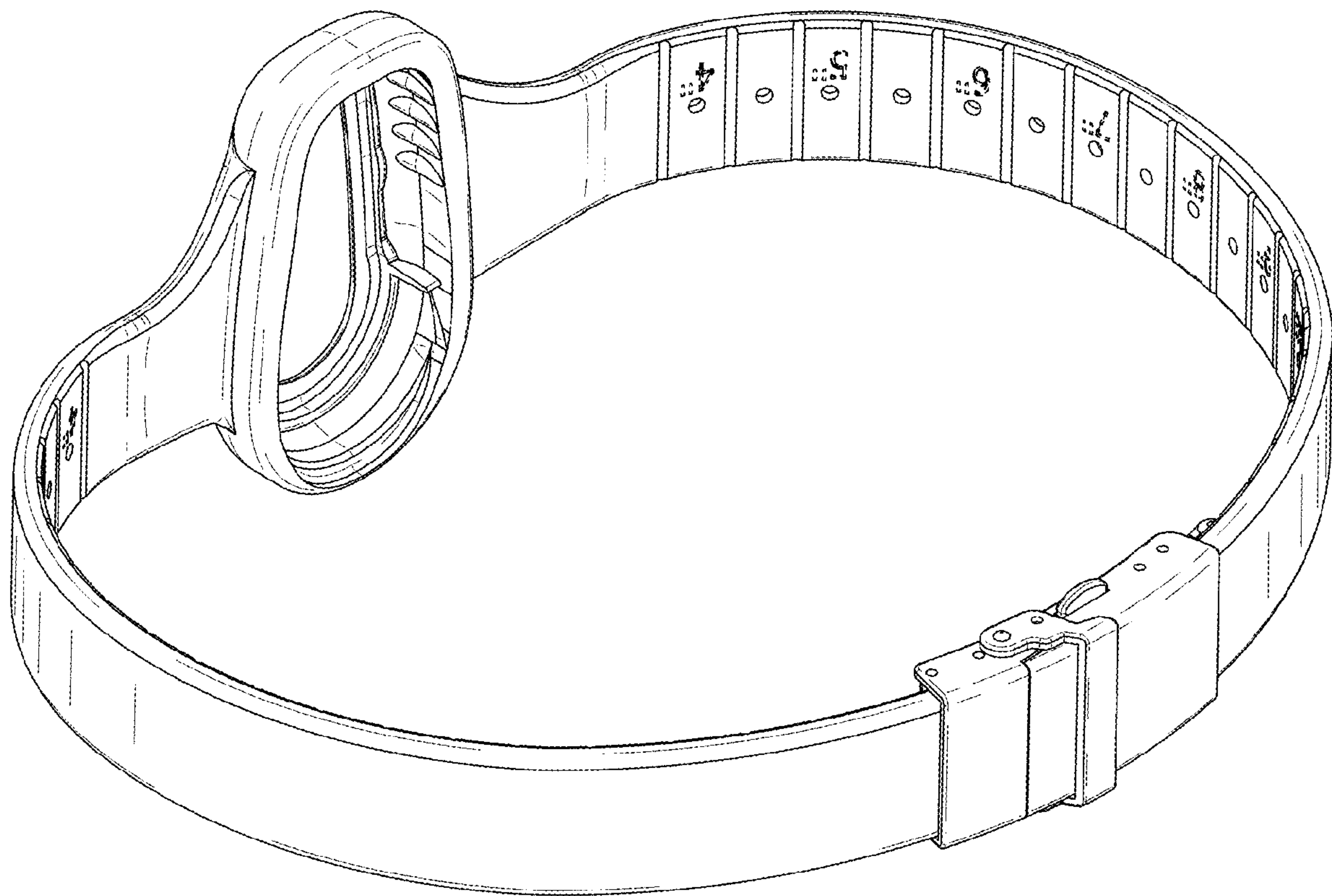


FIG. 2

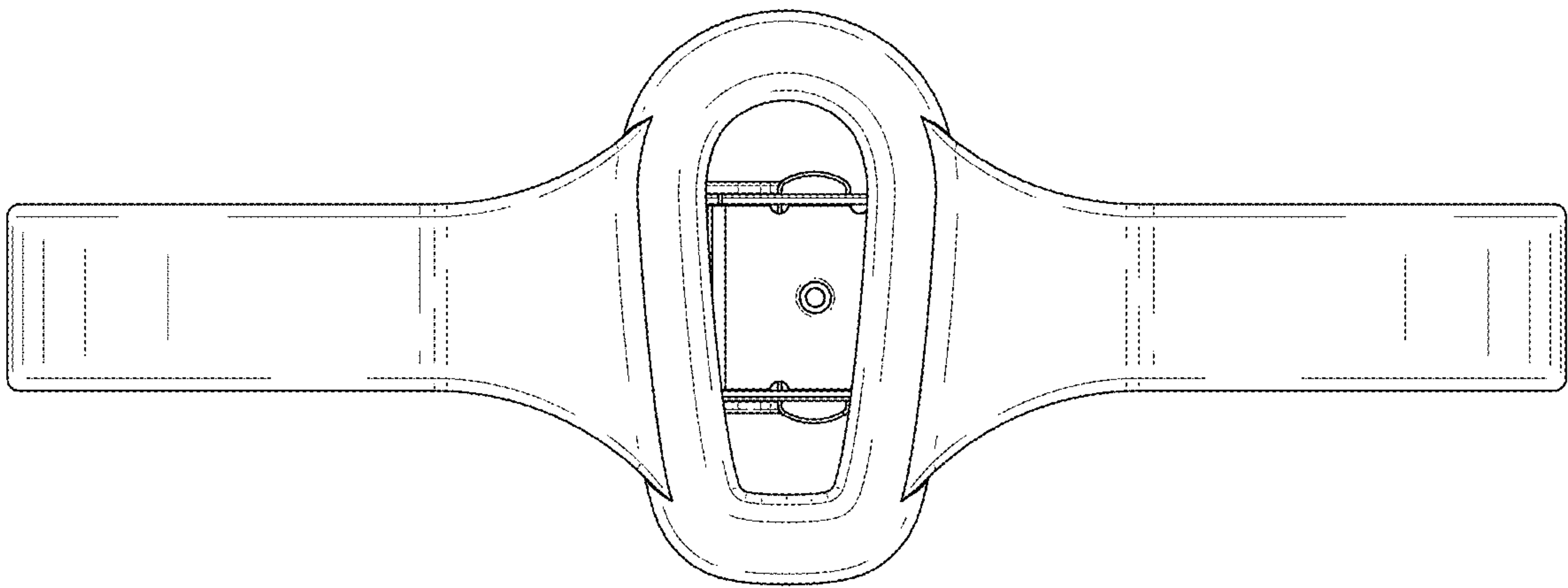


FIG. 3

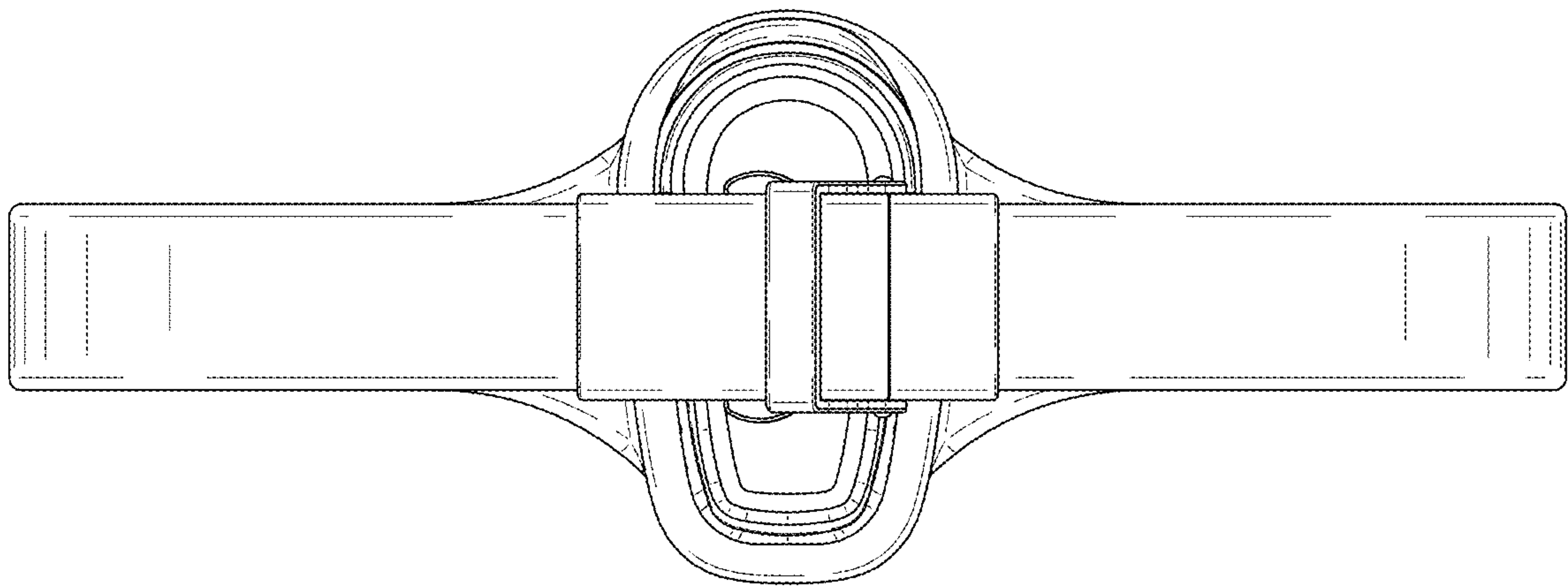


FIG. 4

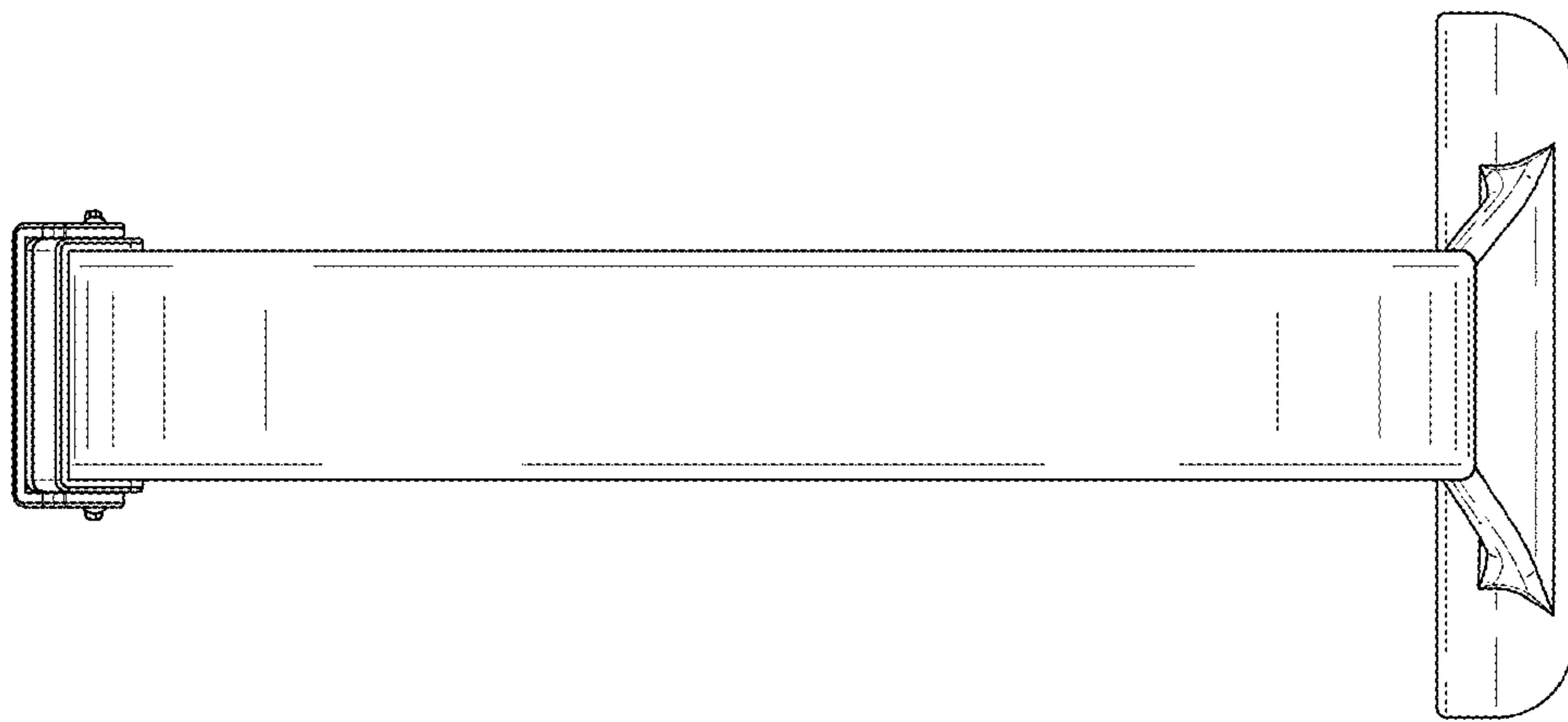


FIG. 5

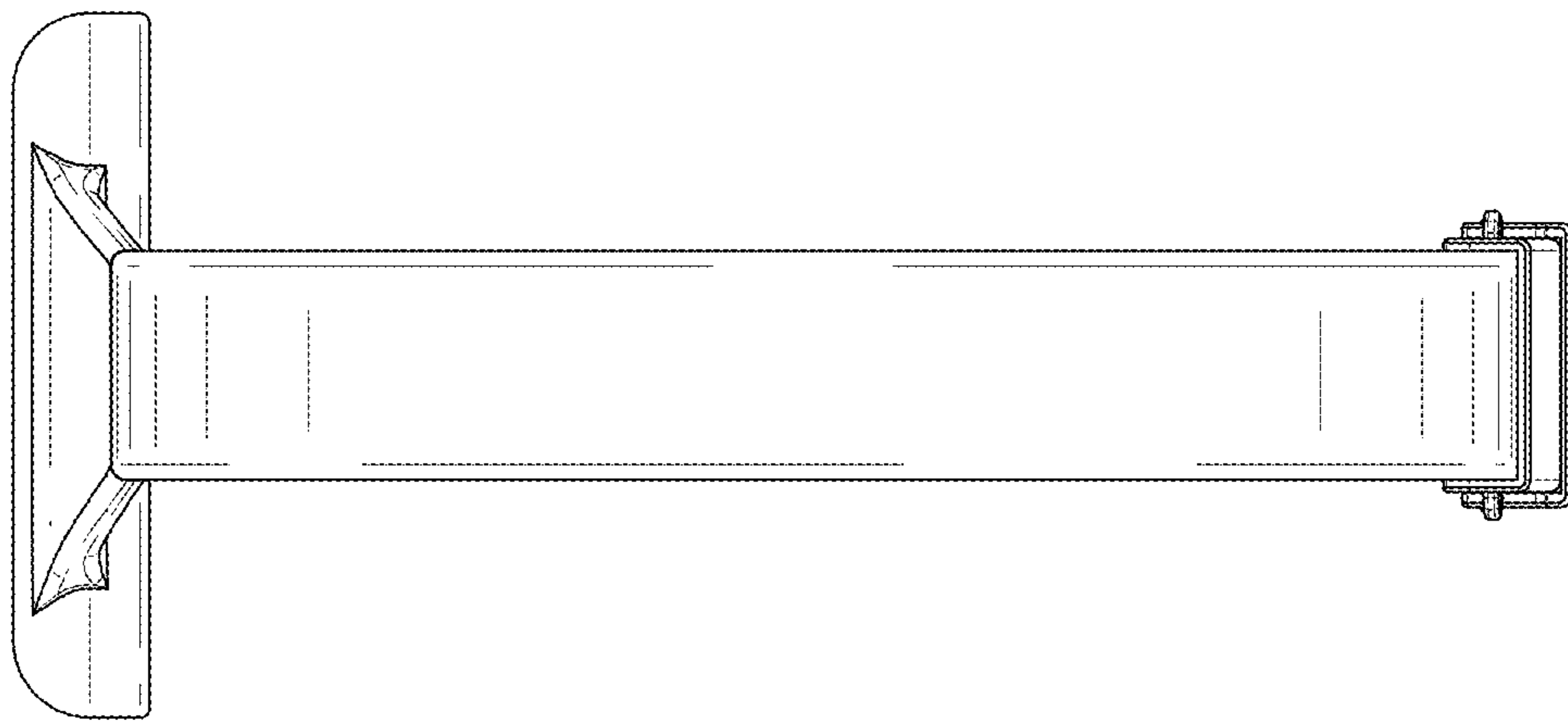


FIG. 6

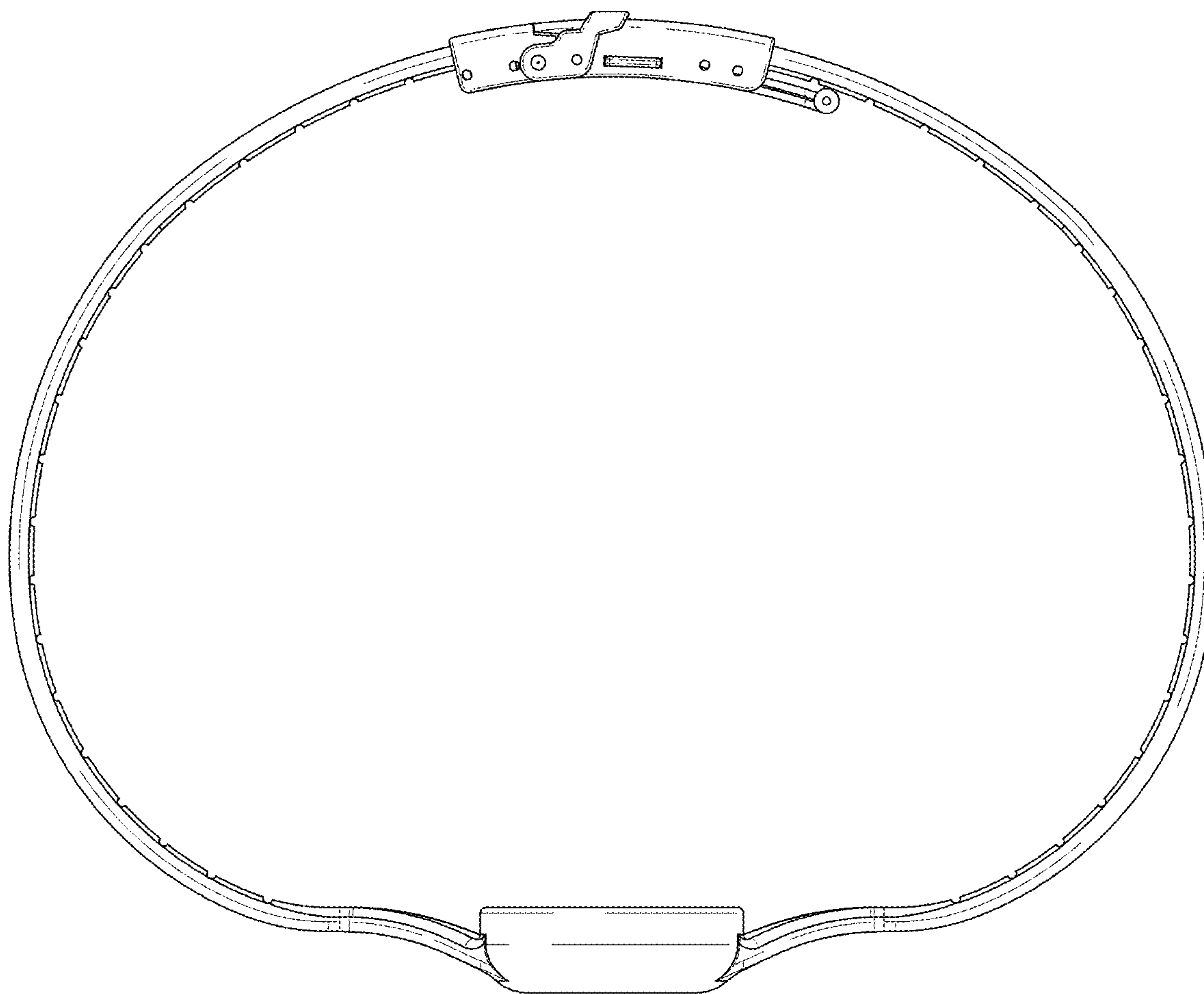


FIG. 7

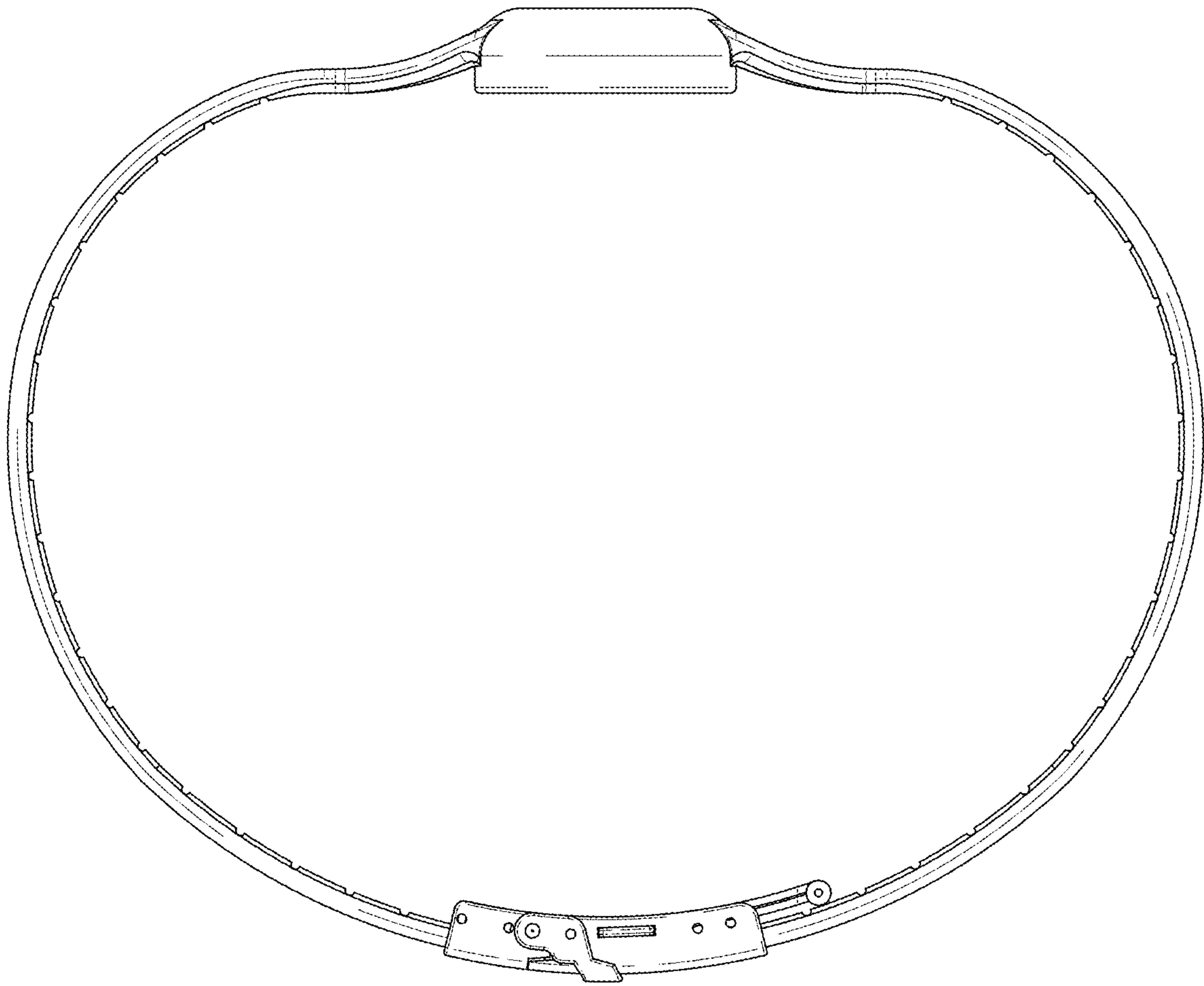


FIG. 8

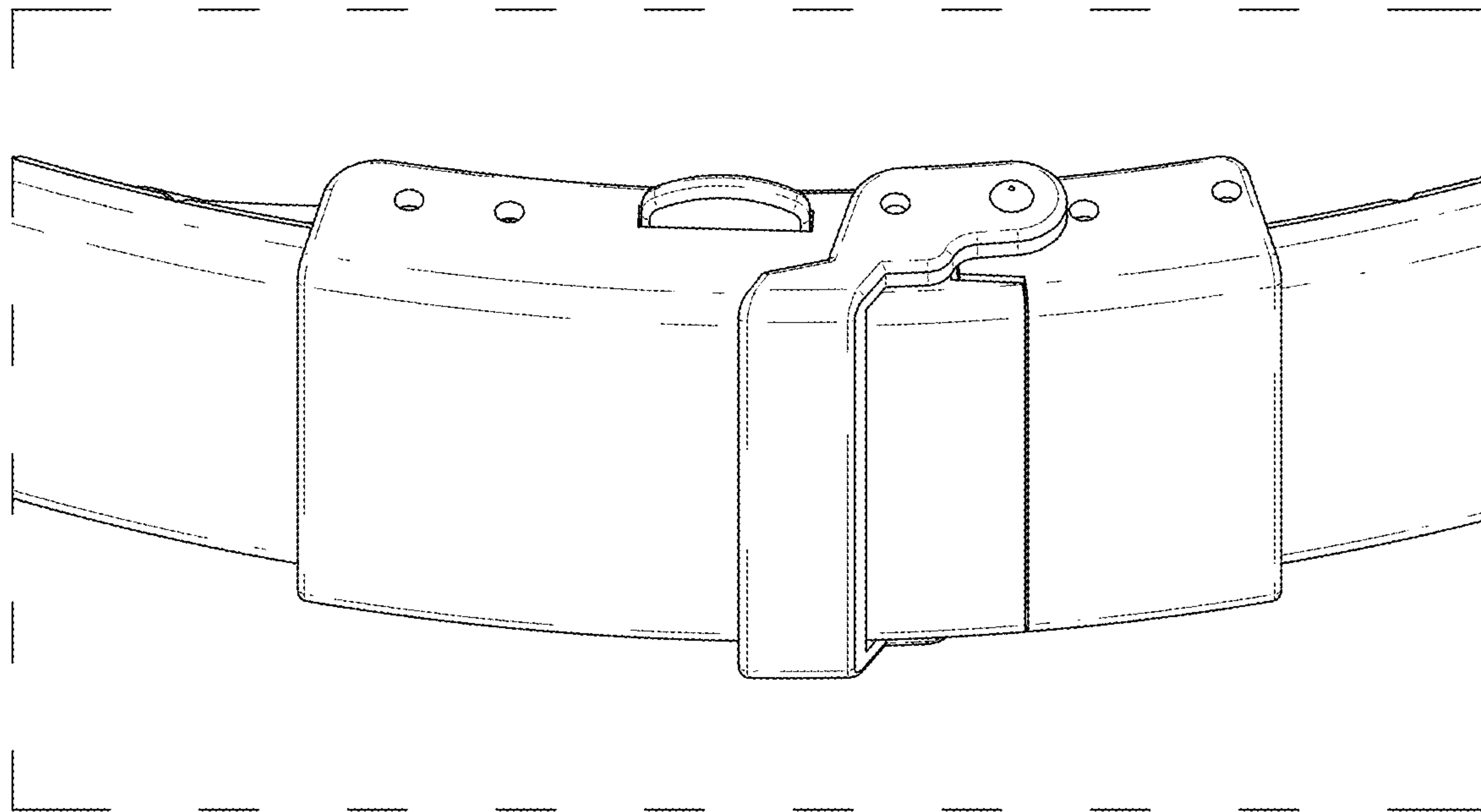


FIG. 9

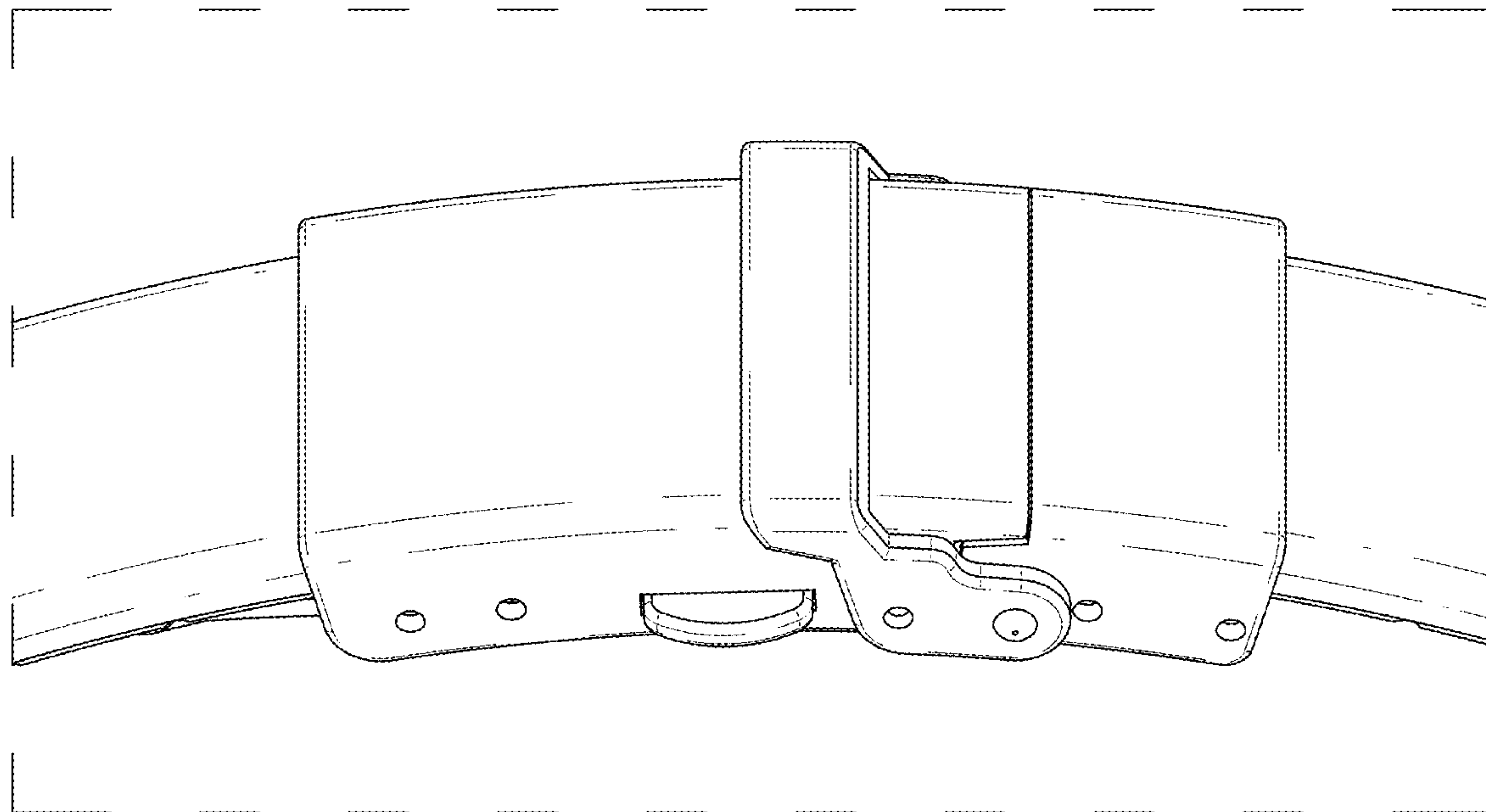


FIG. 10

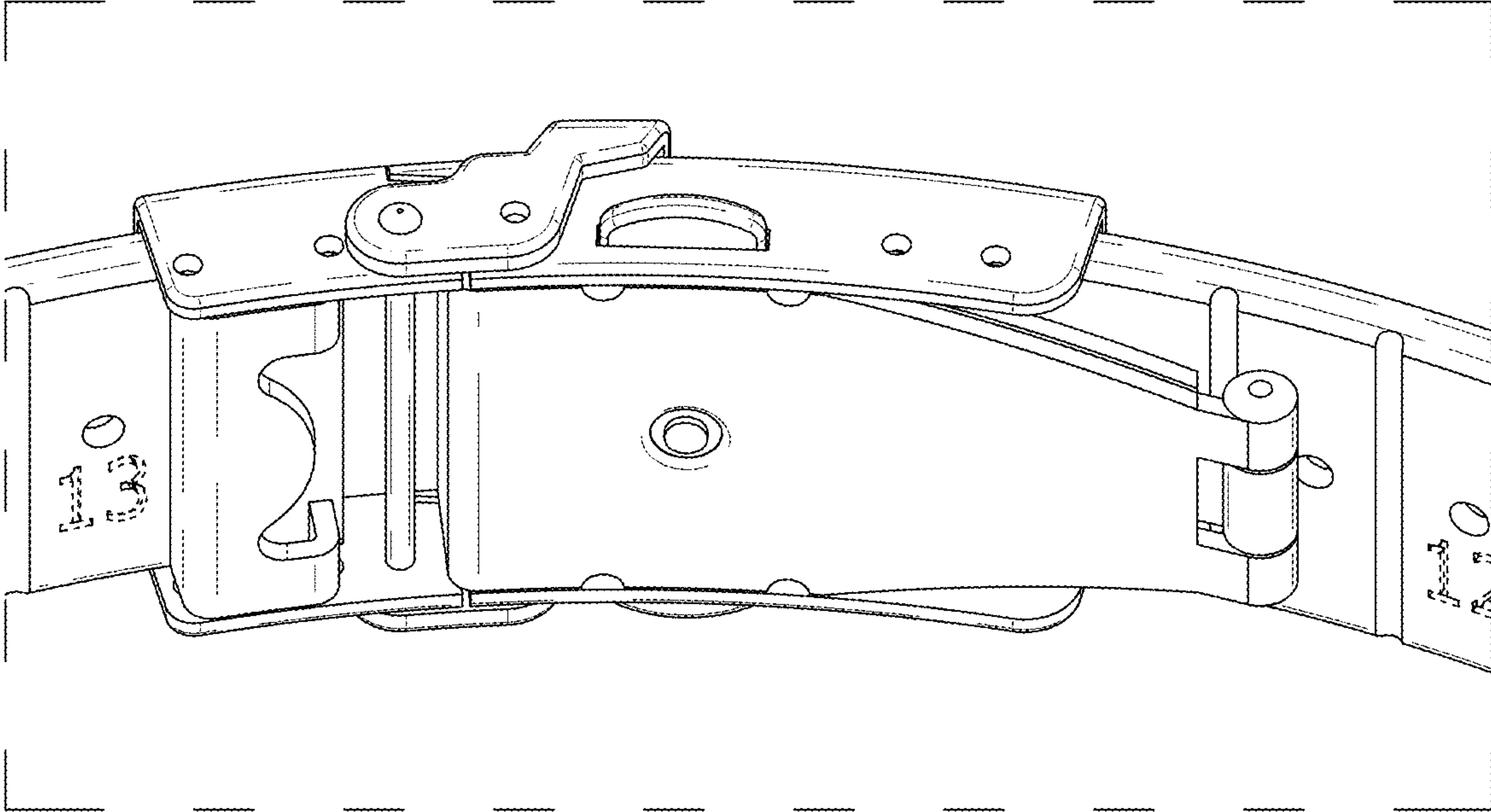


FIG. 11

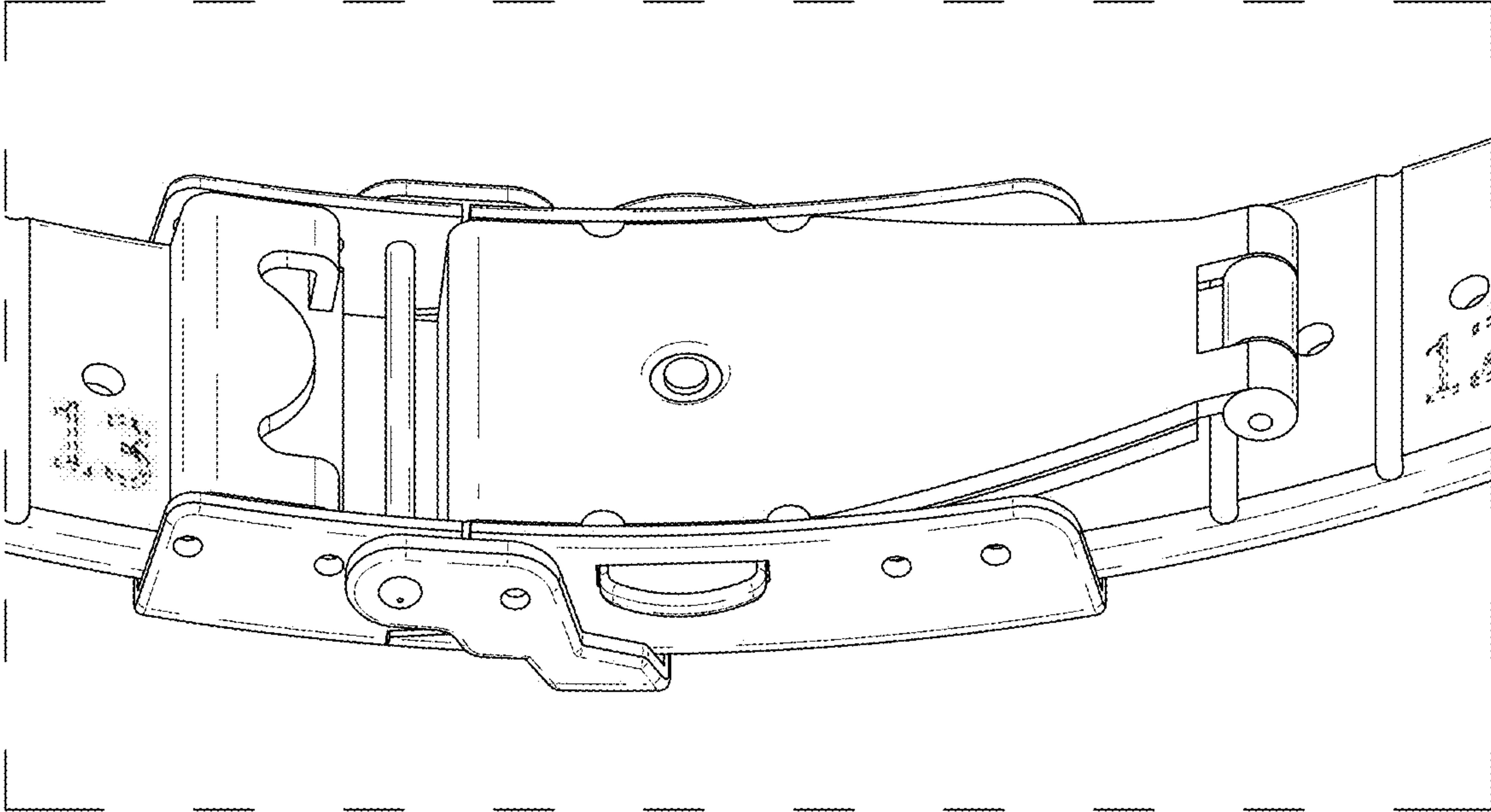


FIG. 12

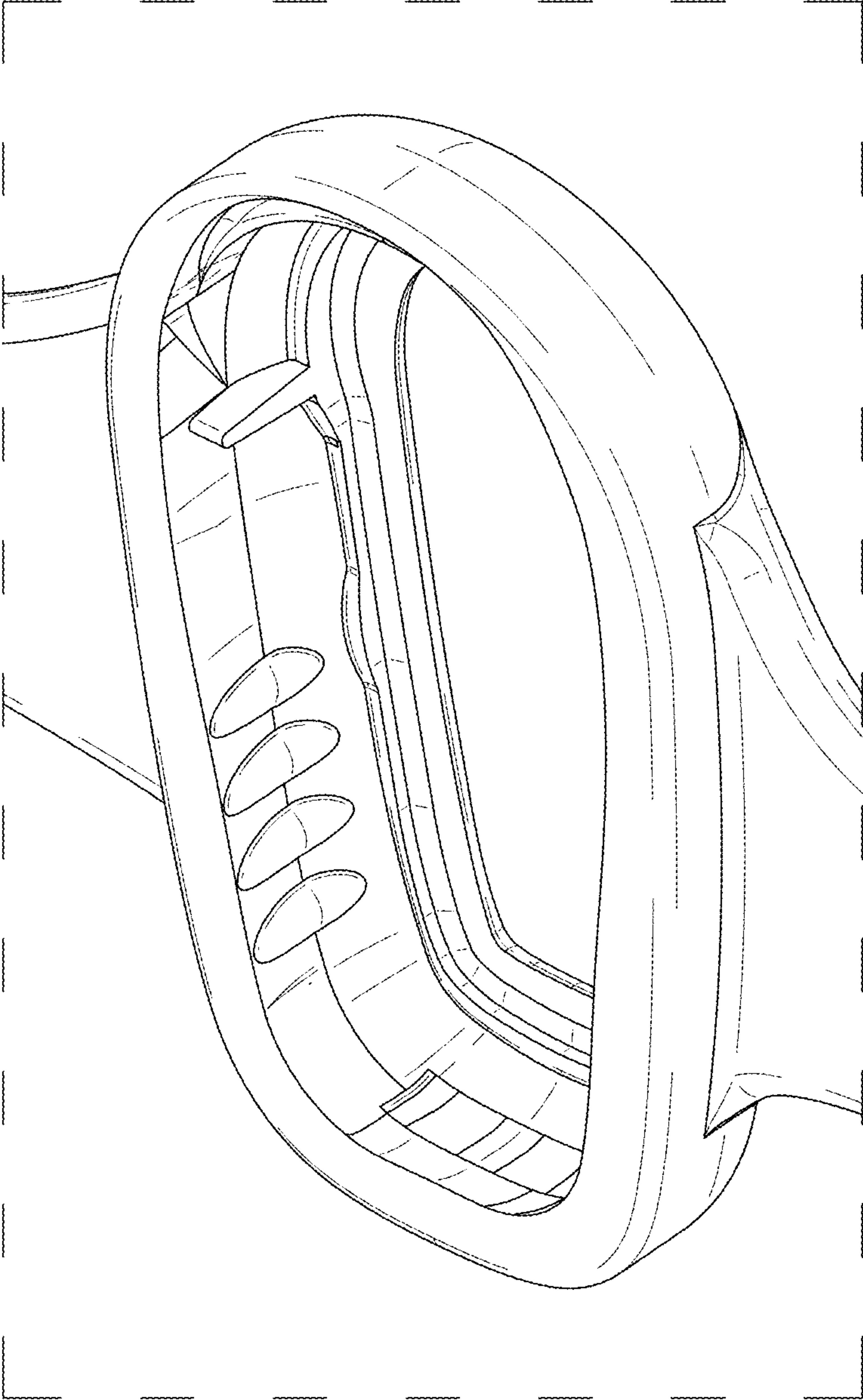


FIG. 13

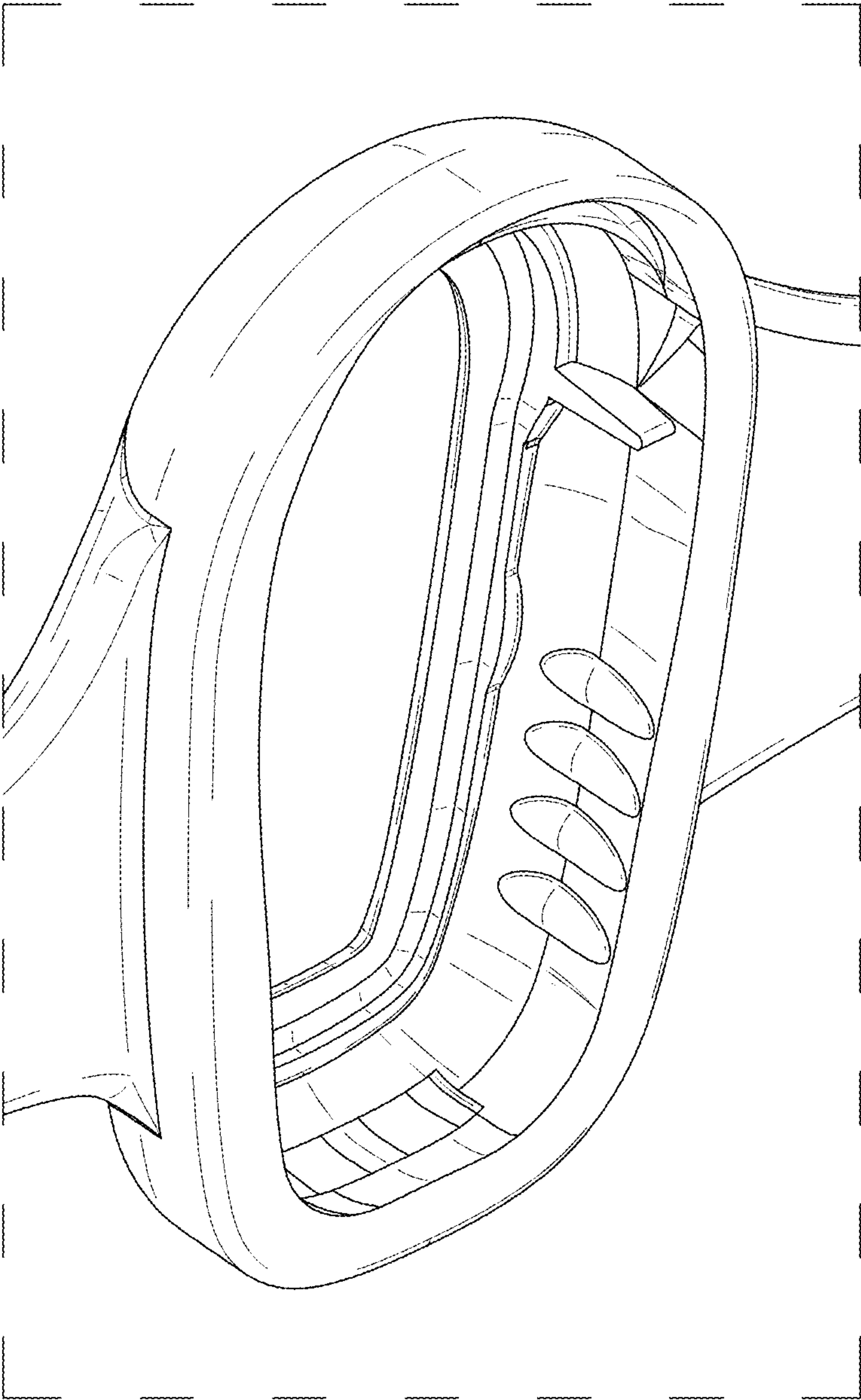


FIG. 14

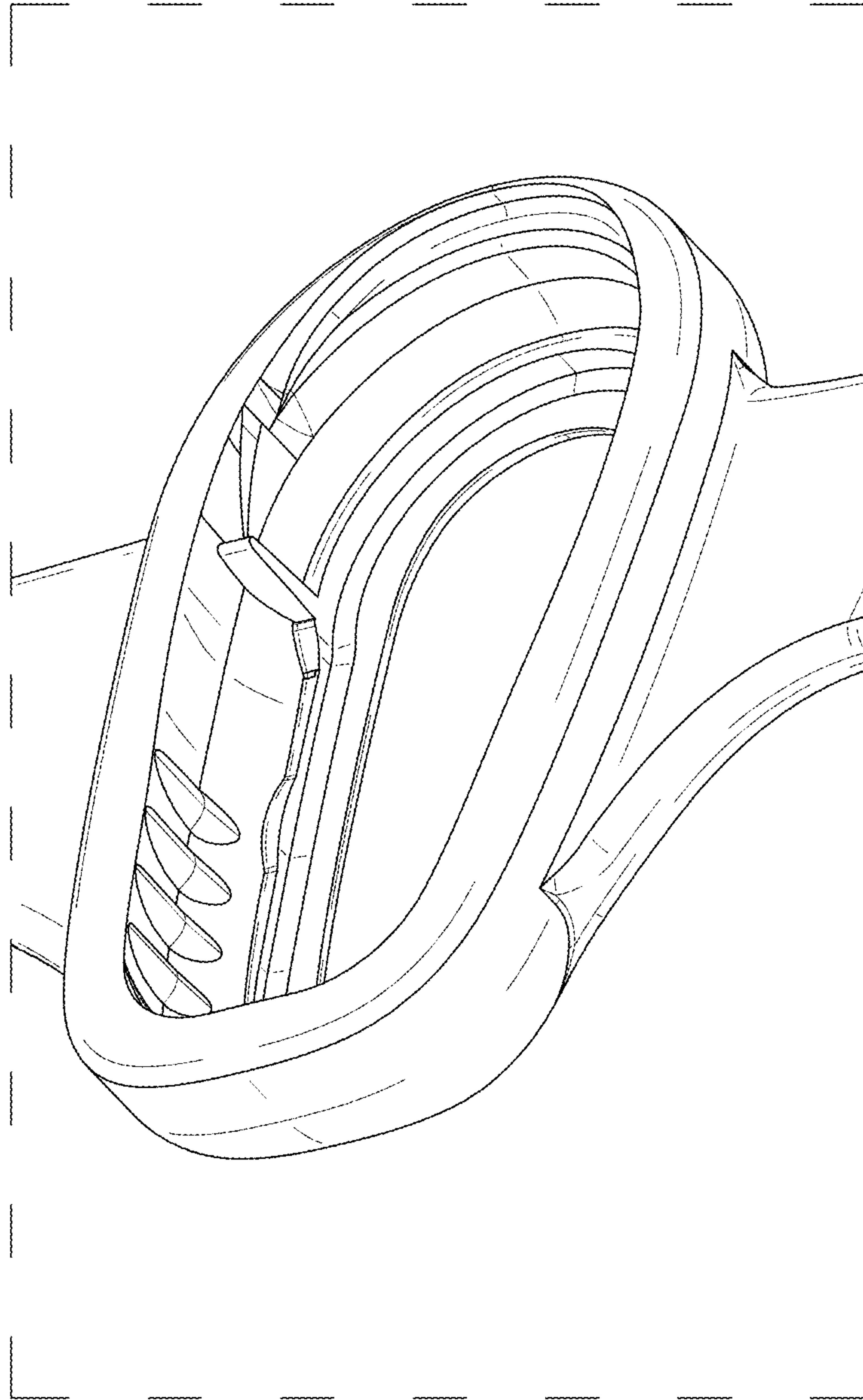


FIG. 15

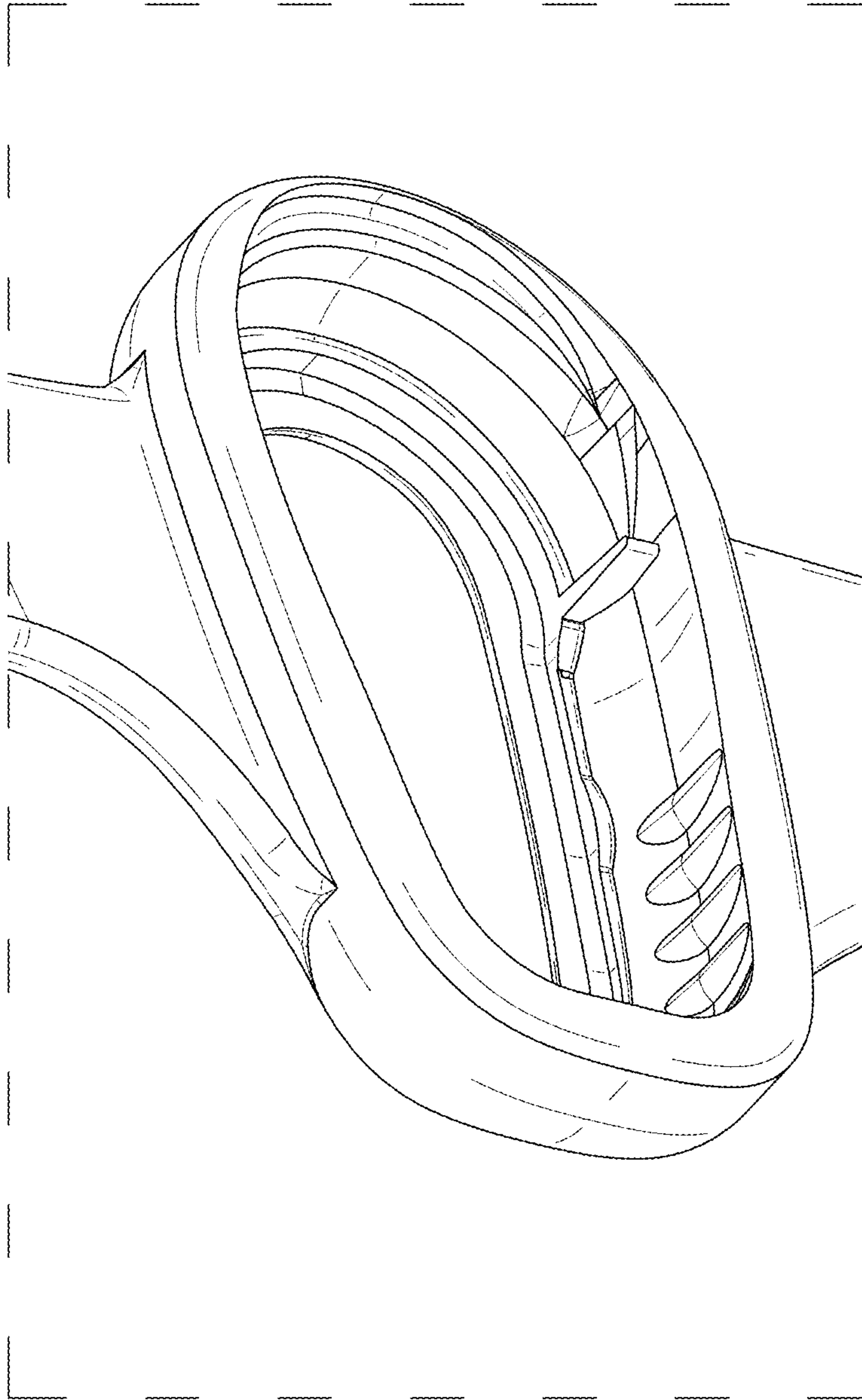


FIG. 16