



US00D980619S

(12) **United States Design Patent**
Chen

(10) **Patent No.:** **US D980,619 S**
(45) **Date of Patent:** **** Mar. 14, 2023**

(54) **MEDICATION CASE**

(71) Applicant: **Changsha Yuwen Network Technology Co., Ltd.**, Changsha (CN)

(72) Inventor: **Junyuan Chen**, Changsha (CN)

(73) Assignee: **HAIKOU LILI INVESTMENT CO., LTD.**, Haikou (CN)

(**) Term: **15 Years**

(21) Appl. No.: **29/779,795**

(22) Filed: **Apr. 21, 2021**

(30) **Foreign Application Priority Data**

Apr. 19, 2021 (CN) 202130221242.4

(51) **LOC (14) Cl.** **03-01**

(52) **U.S. Cl.**
USPC **D3/203.3; D9/432**

(58) **Field of Classification Search**
USPC D3/201, 202, 203.1, 203.2, 203.3, 203.4,
D3/203.5, 203.6, 203.7, 203.8, 204-212,
D3/263, 267, 270, 272-276, 94, 295, 298,
D3/302, 901-905; D9/420, 421, 422,
D9/432, 756, 759, 760
CPC B65D 83/04; A61J 1/03
See application file for complete search history.

(56) **References Cited**

U.S. PATENT DOCUMENTS

- 3,037,616 A * 6/1962 Phipps, III A45C 11/005
220/826
- D464,567 S * 10/2002 Baerenwald D9/432
- 7,624,890 B2 * 12/2009 Noble B65D 83/0445
206/538
- D854,413 S * 7/2019 Joo D9/432
- D877,489 S * 3/2020 Lee D3/203.2
- D914,358 S * 3/2021 Chen D3/203.3

FOREIGN PATENT DOCUMENTS

CN 304890045 * 11/2018

OTHER PUBLICATIONS

Amazon.com, Site visited Dec. 27, 2022, Ezy Dose Push Button 2 times a day pill organizer, First available Feb. 18, 2009, <https://www.amazon.com/EZY-DOSE-Organizer-Compartments-Arthritis/dp/B001THEIAQ> (Year: 2009).*

(Continued)

Primary Examiner — Brett Miller

Assistant Examiner — Jessica M Gebhart

(74) *Attorney, Agent, or Firm* — IPro, PLLC

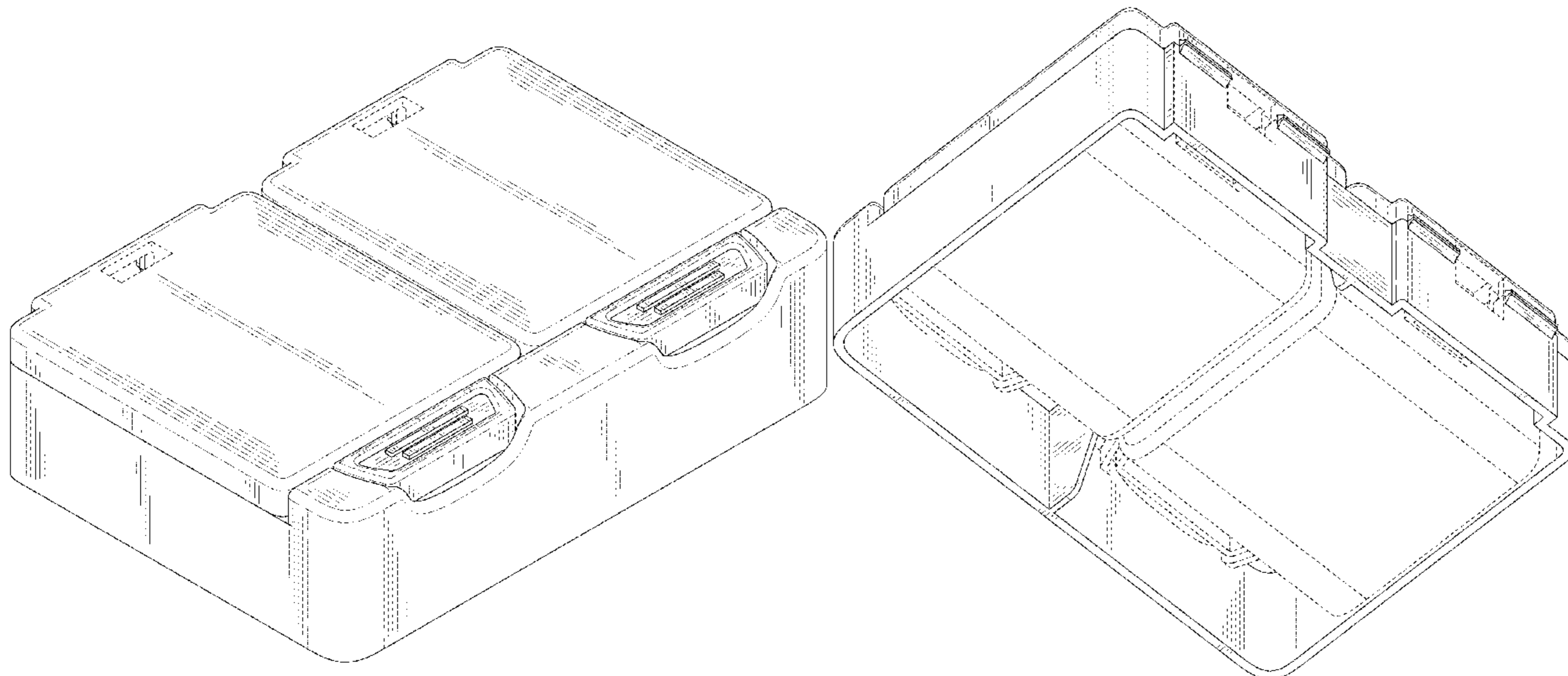
(57) **CLAIM**

The ornamental design for a medication case, as shown and described.

DESCRIPTION

FIG. 1 is a front and left side perspective view of an ornamental design for a medication case showing our new design;
 FIG. 2 is a rear and right side perspective view of the medication case;
 FIG. 3 is a front view of the medication case;
 FIG. 4 is a rear view of the medication case;
 FIG. 5 is a left side view of the medication case;
 FIG. 6 is a right side view of the medication case;
 FIG. 7 is a top view of the medication case;
 FIG. 8 is a bottom view of the medication case; and,
 FIG. 9 is a front and left side perspective view of the medication case in its open state.
 The broken lines in the drawings depict portions of the medication case that form no part of the claimed design.

1 Claim, 9 Drawing Sheets



(56)

References Cited

OTHER PUBLICATIONS

Amazon.com, Site visited Dec. 29, 2022, Auvon Weekly Pill Organizer, First available Dec. 12, 2018, <https://www.amazon.com/AUVON-iMedassist-Moisture-Proof-Compartments-Supplements/dp/B07PFH4SKG> (Year: 2018).*

Ubuy.co.id, Site visited Jan. 3, 2022, HiQuaty Pill Organizer, First available Jun. 11, 2019, <https://www.ubuy.co.id/en/product/2CTPTUNK> (Year: 2019).*

Amazon.com, Site visited Dec. 27, 2022, Eivennko 2 Compartment Organizer, First available Feb. 10, 2021, <https://www.amazon.com/Organizer-Removable-Compartment-Waterproof-Dispenser/dp/B08WCH2Q8J> (Year: 2021).*

* cited by examiner

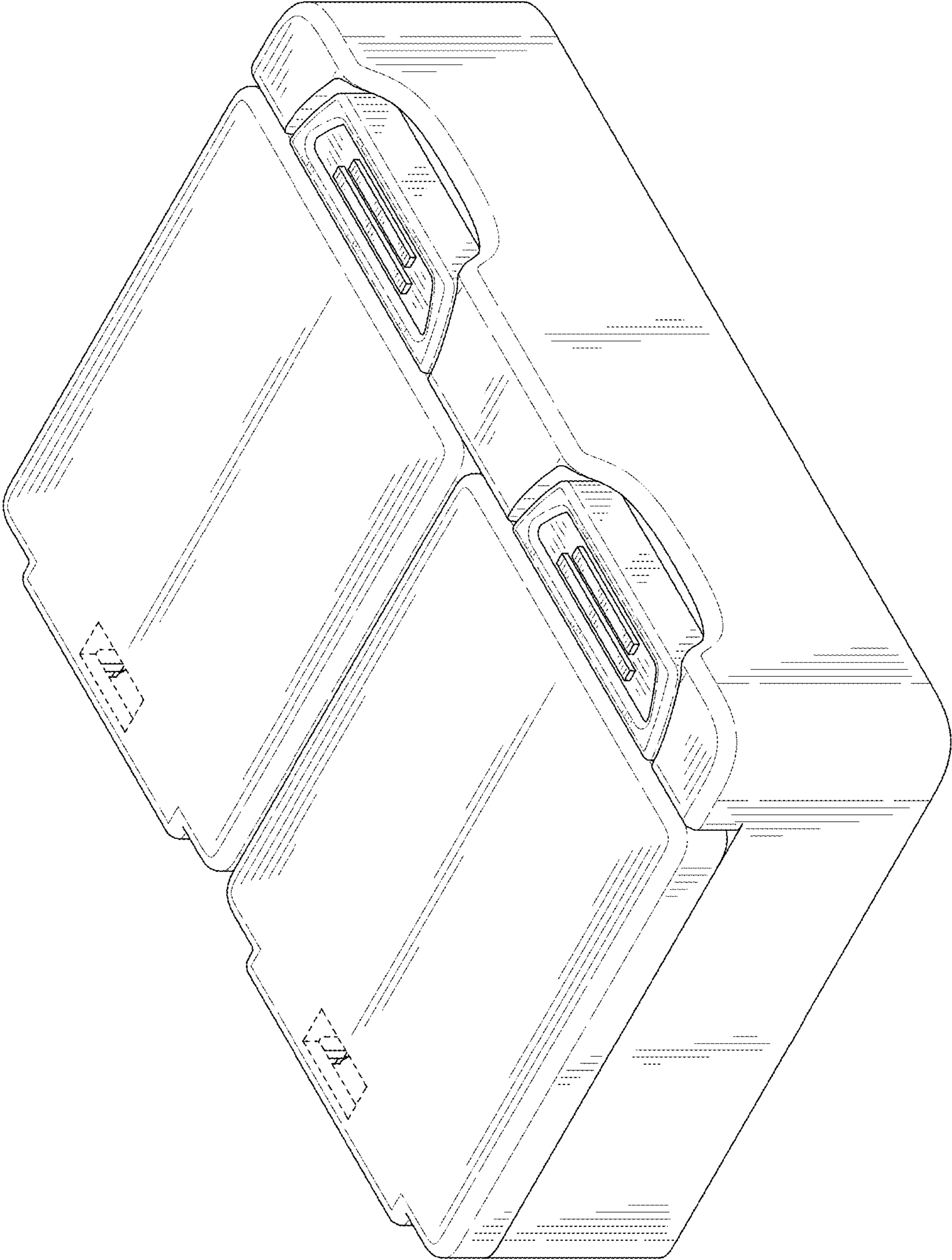


FIG. 1

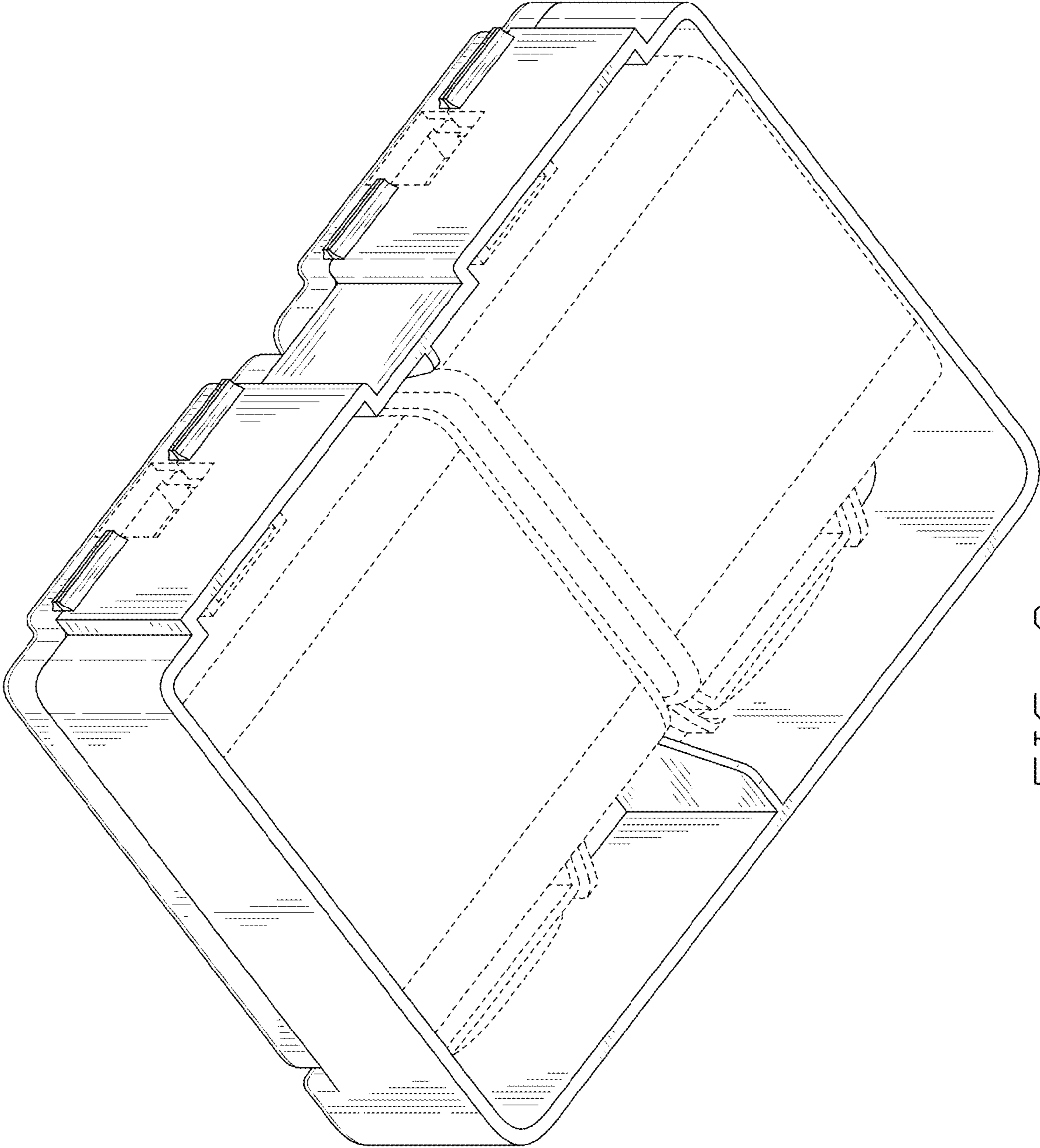


FIG. 2

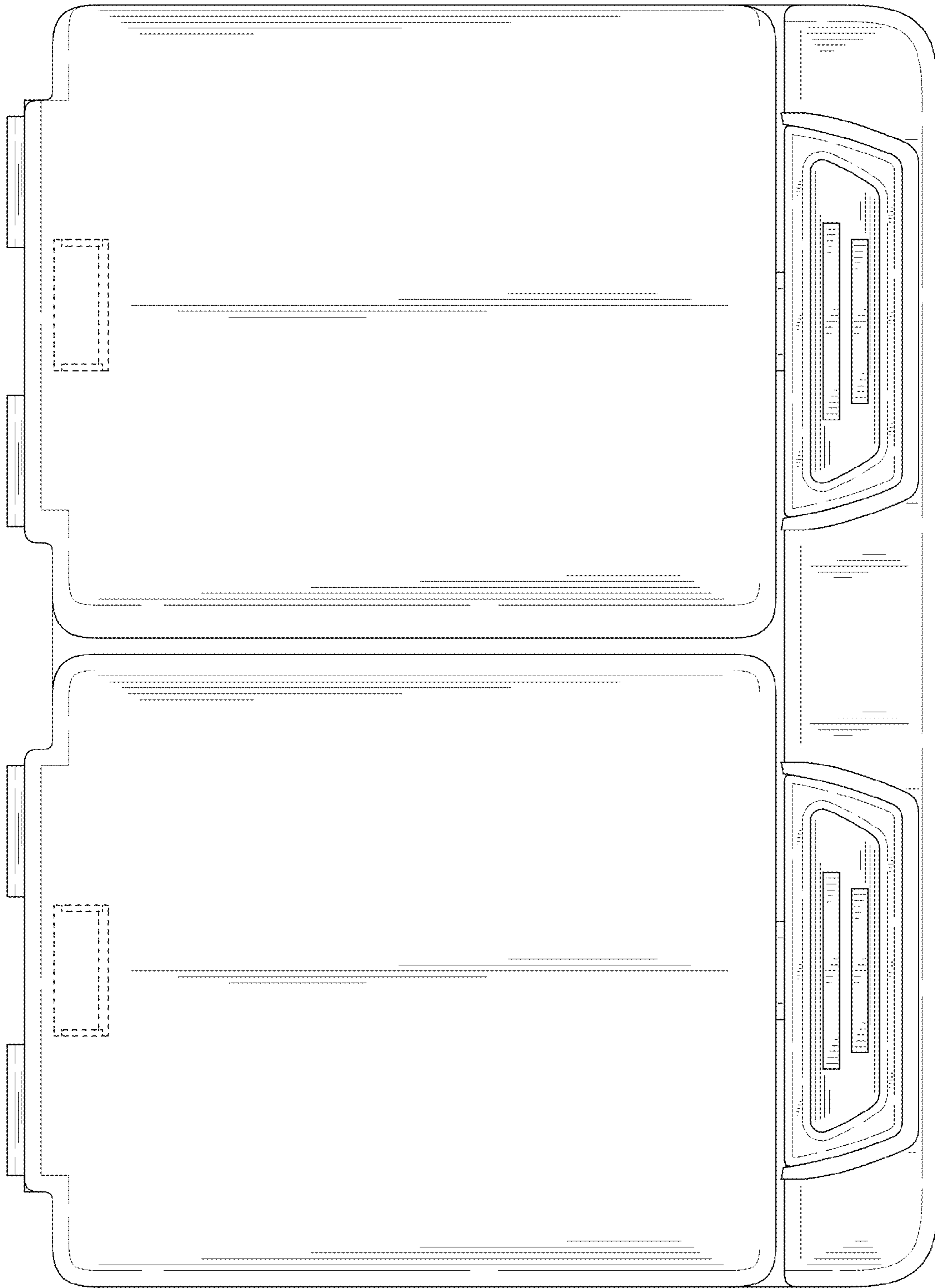


FIG. 3

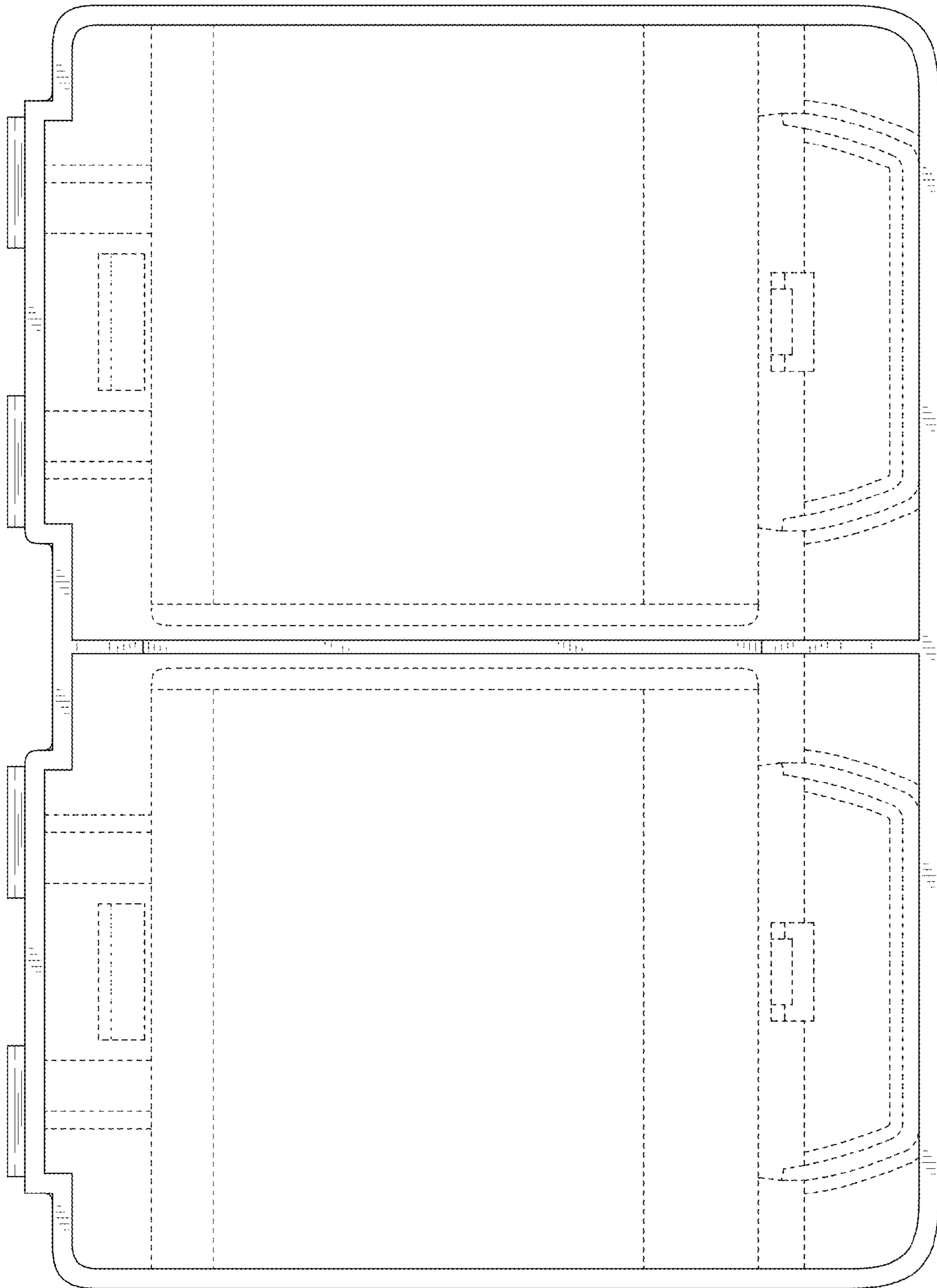


FIG. 4

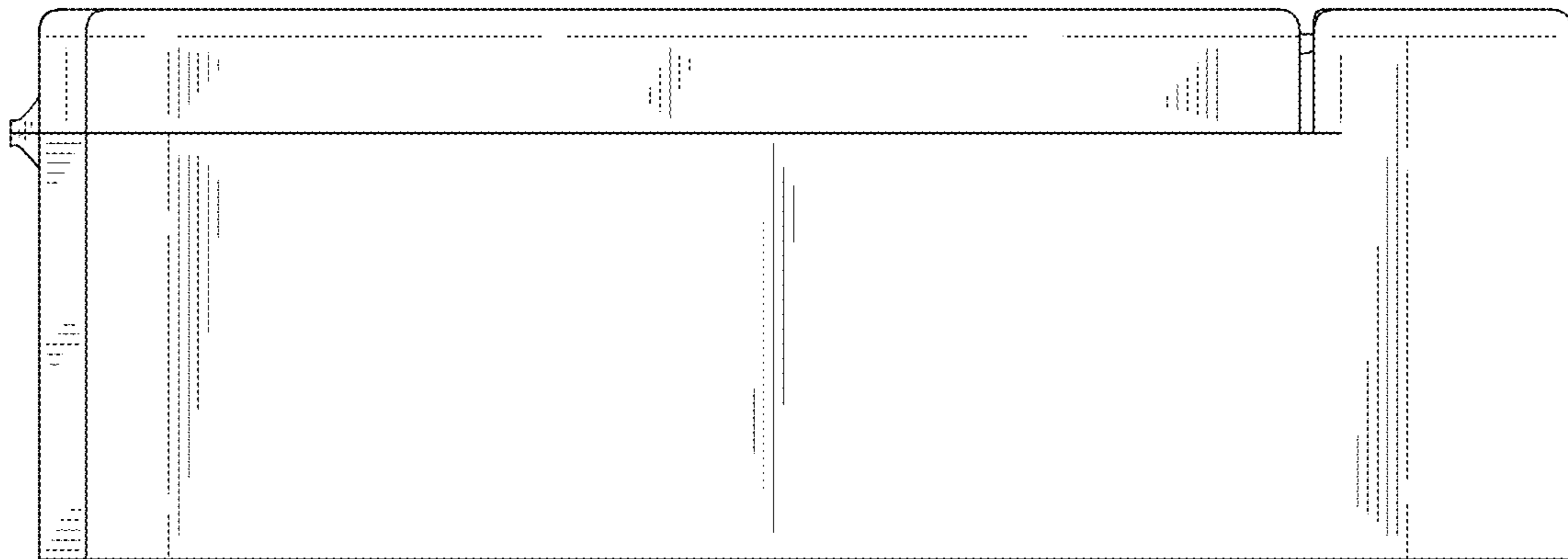


FIG. 5

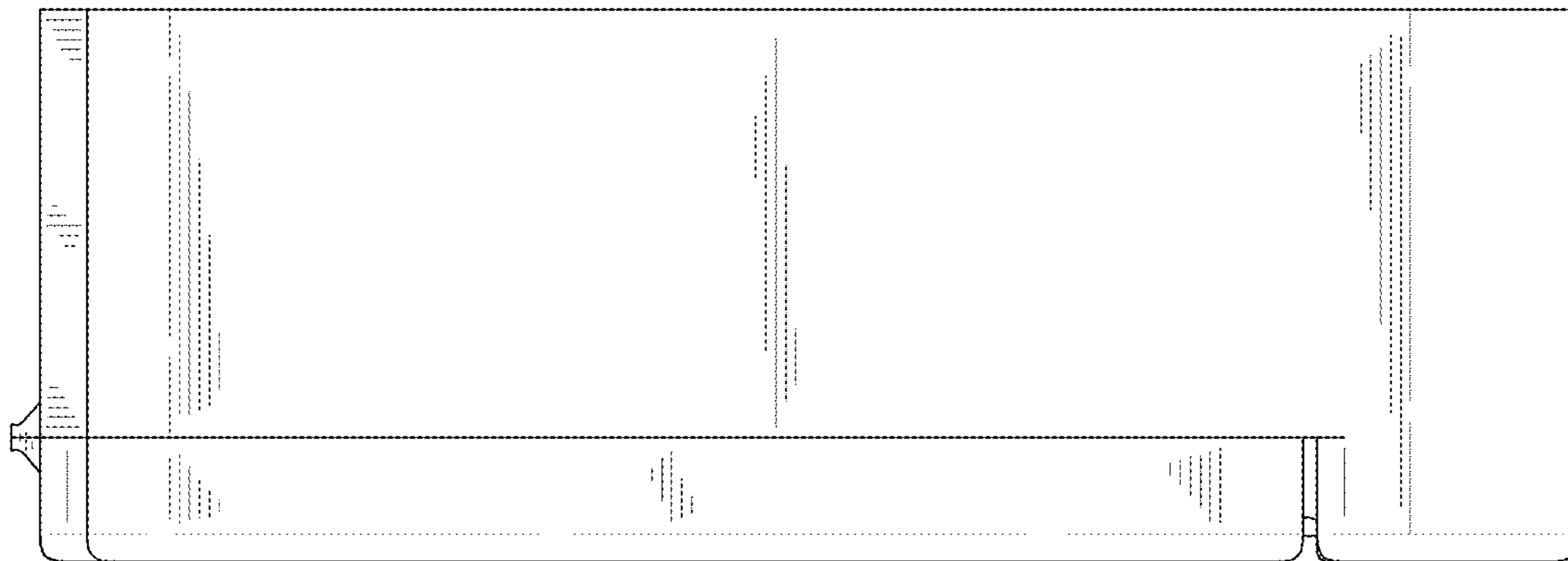


FIG. 6

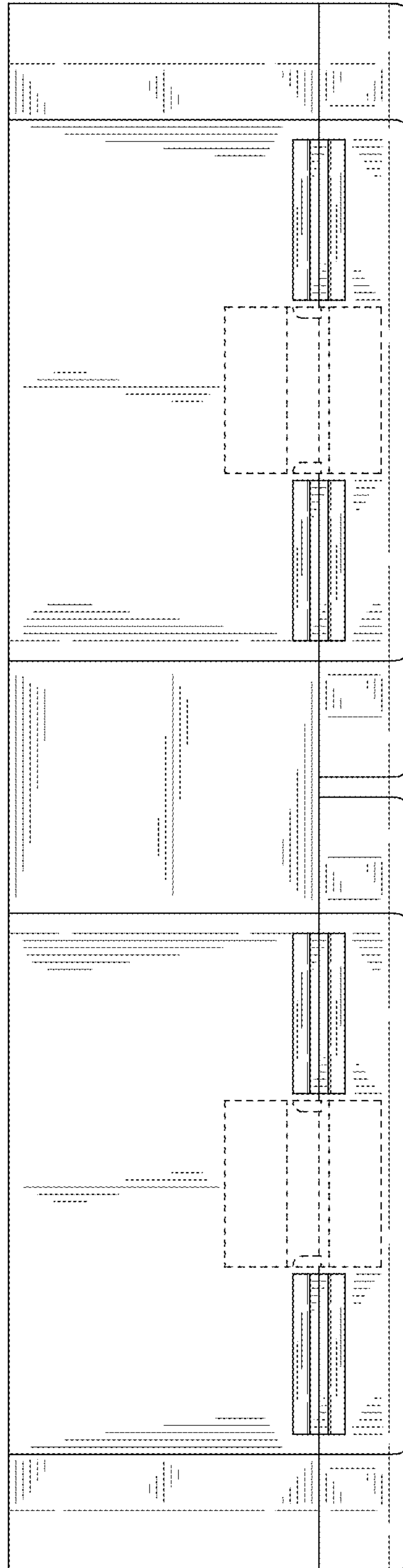


FIG. 7

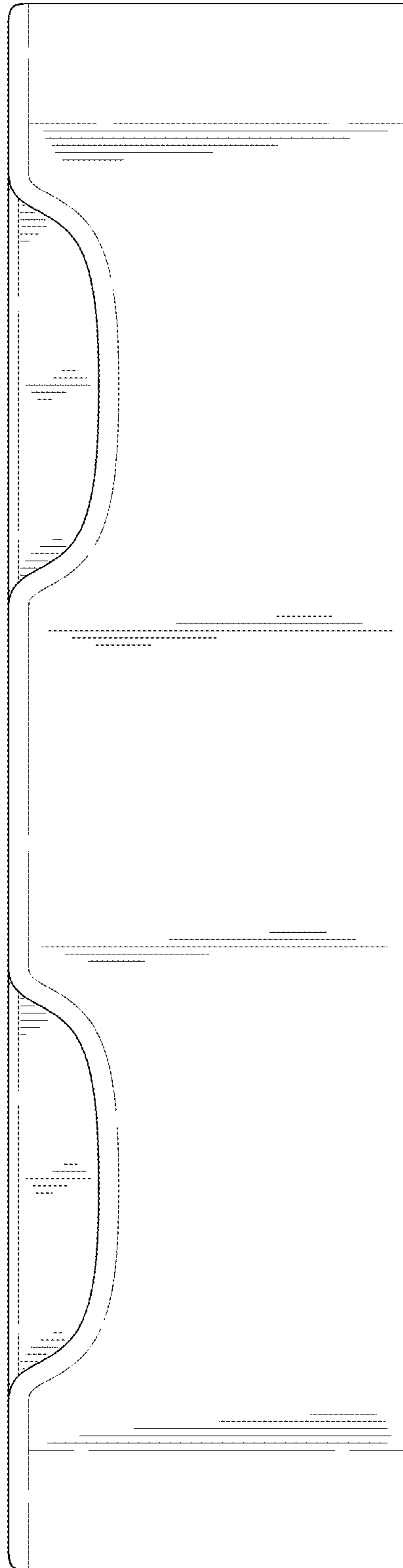


FIG. 8

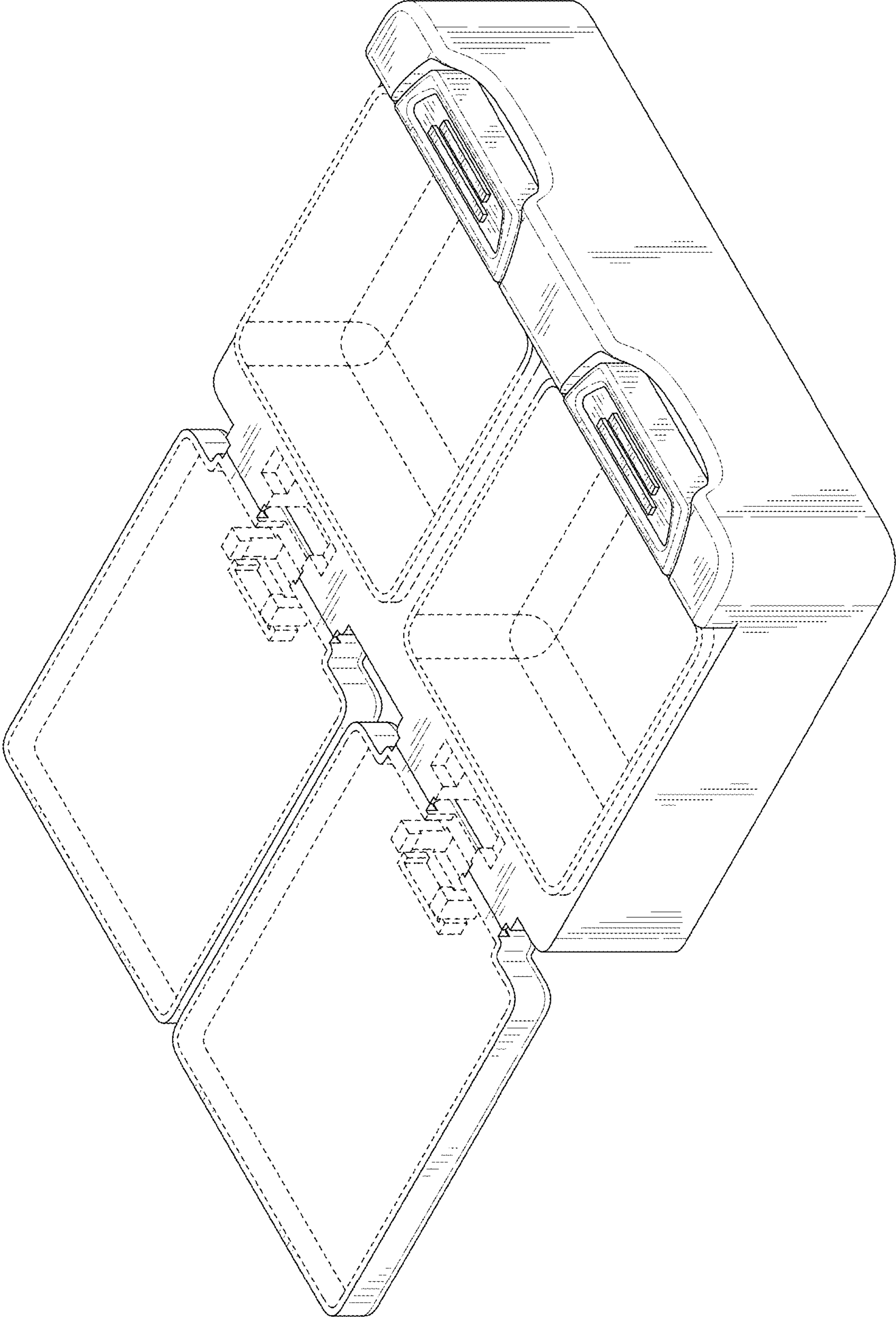


FIG. 9