



US00D980618S

(12) **United States Design Patent**  
**Kangwa**

(10) **Patent No.:** **US D980,618 S**  
(45) **Date of Patent:** **\*\* Mar. 14, 2023**

(54) **CASE FOR MEDICATION BOTTLE**

(71) Applicant: **Rebecca Kangwa**, Sanibel, FL (US)

(72) Inventor: **Rebecca Kangwa**, Sanibel, FL (US)

(\*\*) Term: **15 Years**

(21) Appl. No.: **29/771,637**

(22) Filed: **Feb. 24, 2021**

(51) **LOC (14) Cl.** ..... **03-01**

(52) **U.S. Cl.**  
USPC ..... **D3/203.1**

(58) **Field of Classification Search**

USPC ..... D3/201, 202, 203.1, 203.2, 203.3, 203.4,  
D3/203.5, 203.6, 203.7, 203.8, 204–212,  
D3/263–267, 270, 271.1, 273–275, 294,  
D3/295, 302, 901; D7/601, 602,  
D7/608–611, 614, 615, 637–639,  
D7/701–703; D9/600, 715, 717, 737,  
(Continued)

(56) **References Cited**

**U.S. PATENT DOCUMENTS**

D60,193 S \* 1/1922 Mason, Jr. .... D3/206  
D104,992 S \* 6/1937 Cook ..... D3/206  
(Continued)

**FOREIGN PATENT DOCUMENTS**

CN 304277108 \* 9/2017  
CN 306555732 \* 5/2021  
(Continued)

**OTHER PUBLICATIONS**

Pilli—Black, available at pilliproducts.com, earliest customer review date May 27, 2021 [online], site visited Jun. 22, 2022, available

from the internet URL: <https://www.pilliproducts.com/collections/shop-all/products/pilli-black> (Year: 2021).\*

(Continued)

*Primary Examiner* — April Rivas

*Assistant Examiner* — Jillian Mazzola

(74) *Attorney, Agent, or Firm* — Walker Griffin Weitzel;  
Alloy Patent Law

(57) **CLAIM**

I claim the ornamental design for a case for medication bottle, as shown and described.

**DESCRIPTION**

FIG. 1 is a right top front perspective view of a case for medication bottle shown with the flexible tab in a flexed configuration, showing the new design;

FIG. 2 is a front view of the case for medication bottle, shown in an alternate configuration with the flexible tab in an unflexed configuration;

FIG. 3 is a back view thereof;

FIG. 4 is an exploded perspective view as seen from the right top front thereof;

FIG. 5 is an exploded perspective view as seen from the left top back thereof;

FIG. 6 is an exploded perspective view as seen from the left bottom front thereof;

FIG. 7 is a perspective view of the bottle portion of the case for medication bottle, shown separately to show aspects of the design that are not visible when combined;

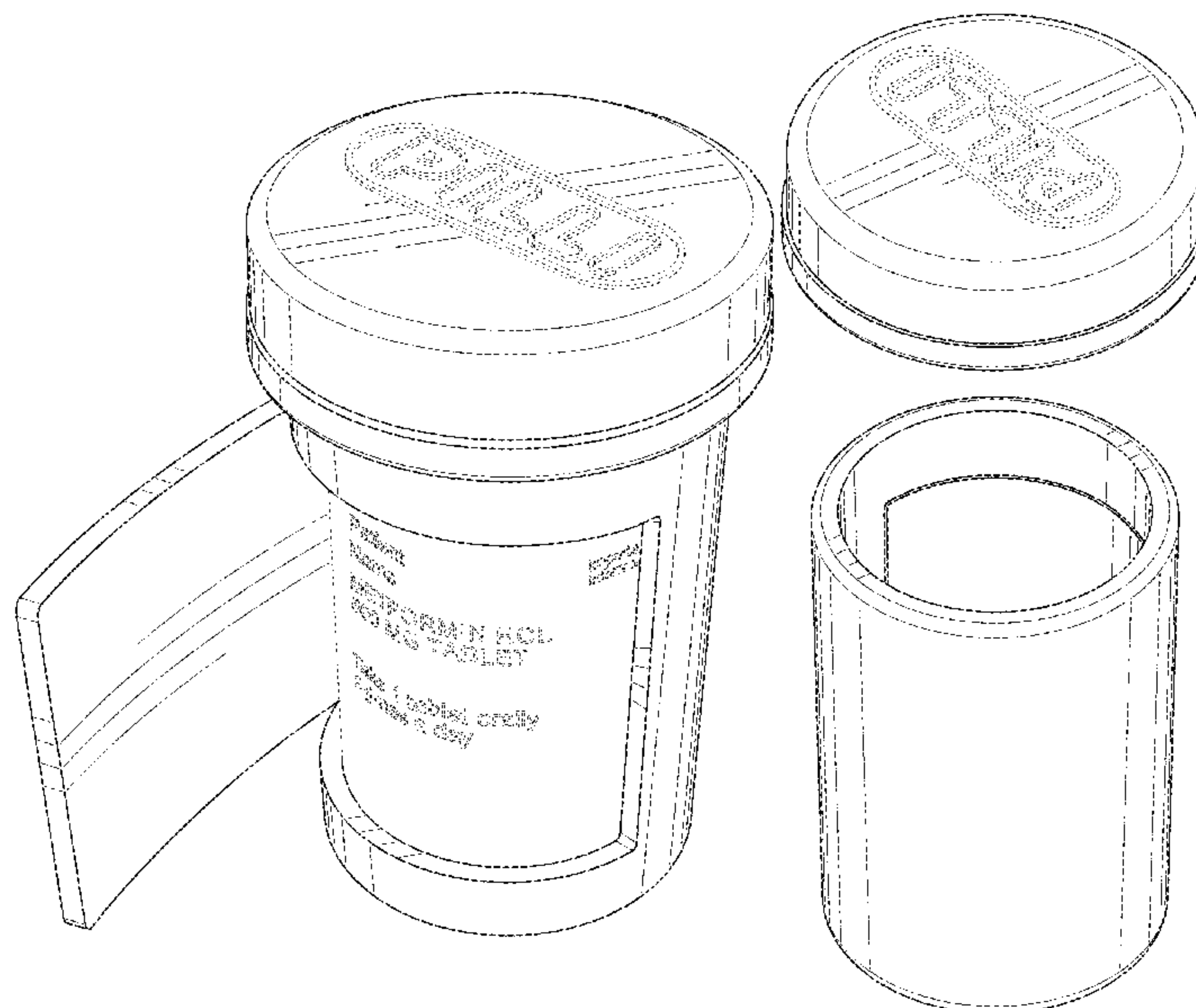
FIG. 8 is a top view of the lid portion of the case for medication bottle, shown separately to show aspects of the design that are not visible when combined;

FIG. 9 is a bottom view thereof; and,

FIG. 10 is a side view thereof.

The broken lines showing the medication bottle are directed to environment and form no part of the claimed design. All other broken lines depict portions of the case for medication bottle that form no part of the claimed design.

**1 Claim, 9 Drawing Sheets**



(58) **Field of Classification Search**

USPC ..... D9/756, 763, 782, 499; D14/203.4,  
 D14/203.5, 203.6, 204, 205, 509–511;  
 D24/224–227  
 CPC ..... A45C 11/00; A45C 11/005; A45C 11/008;  
 A45C 11/02; A45C 11/04; A45C 11/043;  
 A45C 11/046; A45C 11/06; A45C 11/08;  
 A45C 11/10; A45C 11/12; A45C 11/14;  
 A45C 11/16; A45C 11/18; A45C  
 2011/001; A45C 2011/002; A45C  
 2011/003; A45C 2011/006; A45C  
 2011/007

See application file for complete search history.

(56) **References Cited**

U.S. PATENT DOCUMENTS

D133,503	S	*	8/1942	Stene	.....	D3/263
D309,158	S	*	7/1990	Shattan	.....	D19/89
4,939,705	A	*	7/1990	Hamilton	.....	A61J 7/0436 368/10
D412,371	S	*	7/1999	Yuen	.....	D3/274
D420,744	S	*	2/2000	Ostgaard	.....	D24/224
D695,416	S	*	12/2013	Saliaris	.....	D24/224
D765,389	S	*	9/2016	Martin	.....	D3/203.5
D833,746	S	*	11/2018	Steele	.....	D3/901
D901,678	S	*	11/2020	Hong	.....	D24/224
D919,565	S	*	5/2021	Liu	.....	D3/294
2001/0040500	A1	*	11/2001	Weiner	.....	A61J 1/03 340/309.3

2007/0068949	A1	*	3/2007	Crossley	.....	B65D 81/3205 220/503
2009/0294521	A1	*	12/2009	de la Huerga	.....	A61J 1/035 235/375
2014/0299504	A1	*	10/2014	Sena	.....	A61J 1/03 206/534

FOREIGN PATENT DOCUMENTS

CN	307078875	*	1/2022
KR	300578756.0000	*	11/2010

OTHER PUBLICATIONS

Pilli Facebook Post, available at facebook.com, posted Mar. 17, 2021 [online], site visited Jun. 22, 2022, available from the internet URL: <https://www.facebook.com/PilliProducts/photos/111297234367149> (Year: 2021).\*

BigMouth Inc Prescription Pill Bottle Drink Kooler, available at amazon.com, earliest date available Jan. 2, 2012 [online], site visited Jun. 22, 2022, available from the internet URL: <https://www.amazon.com/BigMouth-Inc-Prescription-Bottle-Perfect/dp/B006SNUVPC> (Year: 2012).\*

35mm camera photo film canisters, available at istockphoto.com, earliest date available Oct. 14, 2016 [online], site visited Jun. 22, 2022, available from the internet URL: <https://www.istockphoto.com/photo/35mm-camera-photo-film-canisters-isolateed-on-white-gm609830402-104541119> (Year: 2016).\*

Megantree Cute iPhone 11 Case, available at amazon.com, earliest date available Jul. 18, 2019 [online], site visited Jun. 22, 2022, available from the internet URL: <https://www.amazon.com/Megantree-11-Silicone-Protection-Shockproof/dp/B083RSX38P?th=1> (Year: 2019).\*

\* cited by examiner

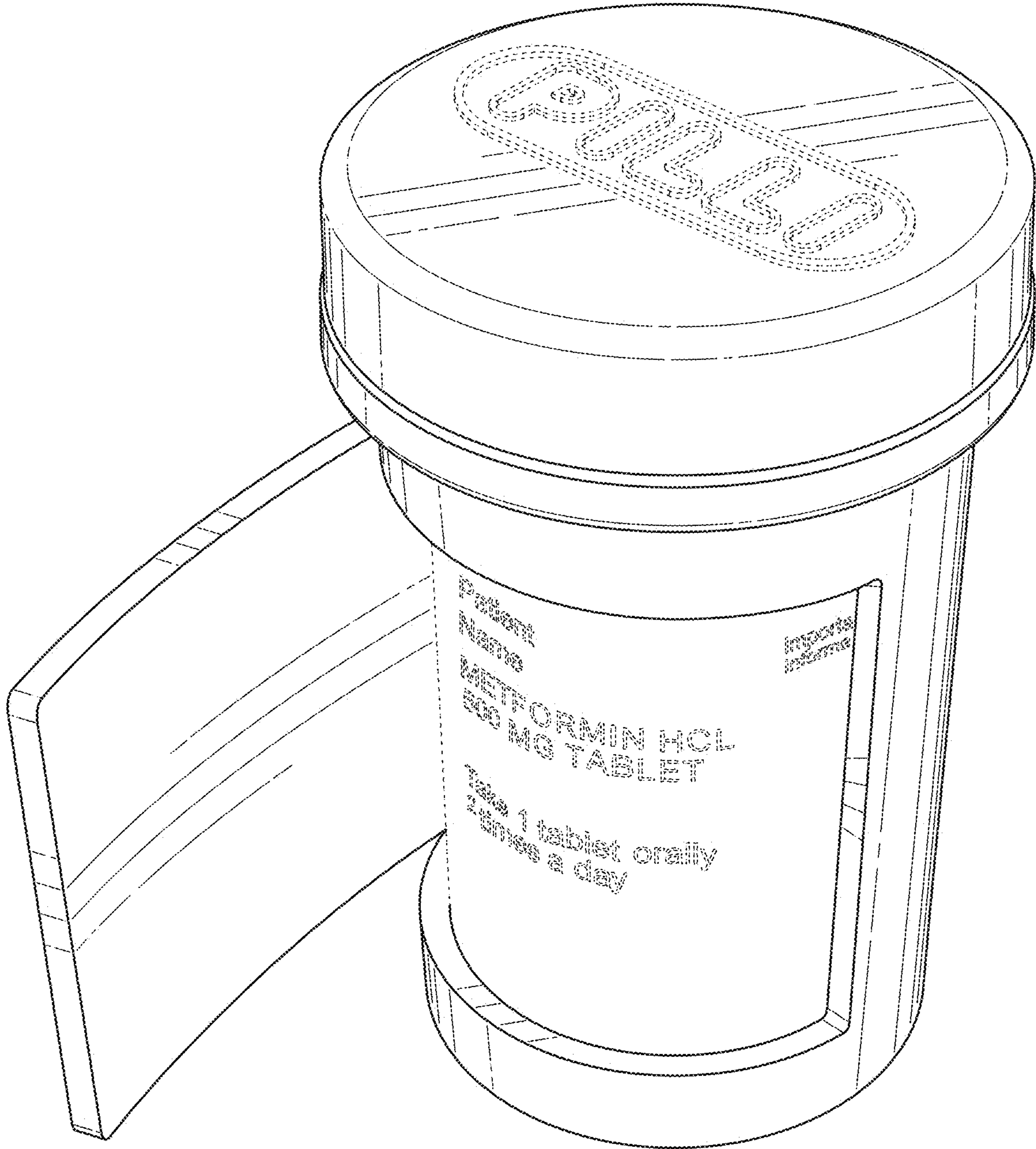


FIG. 1



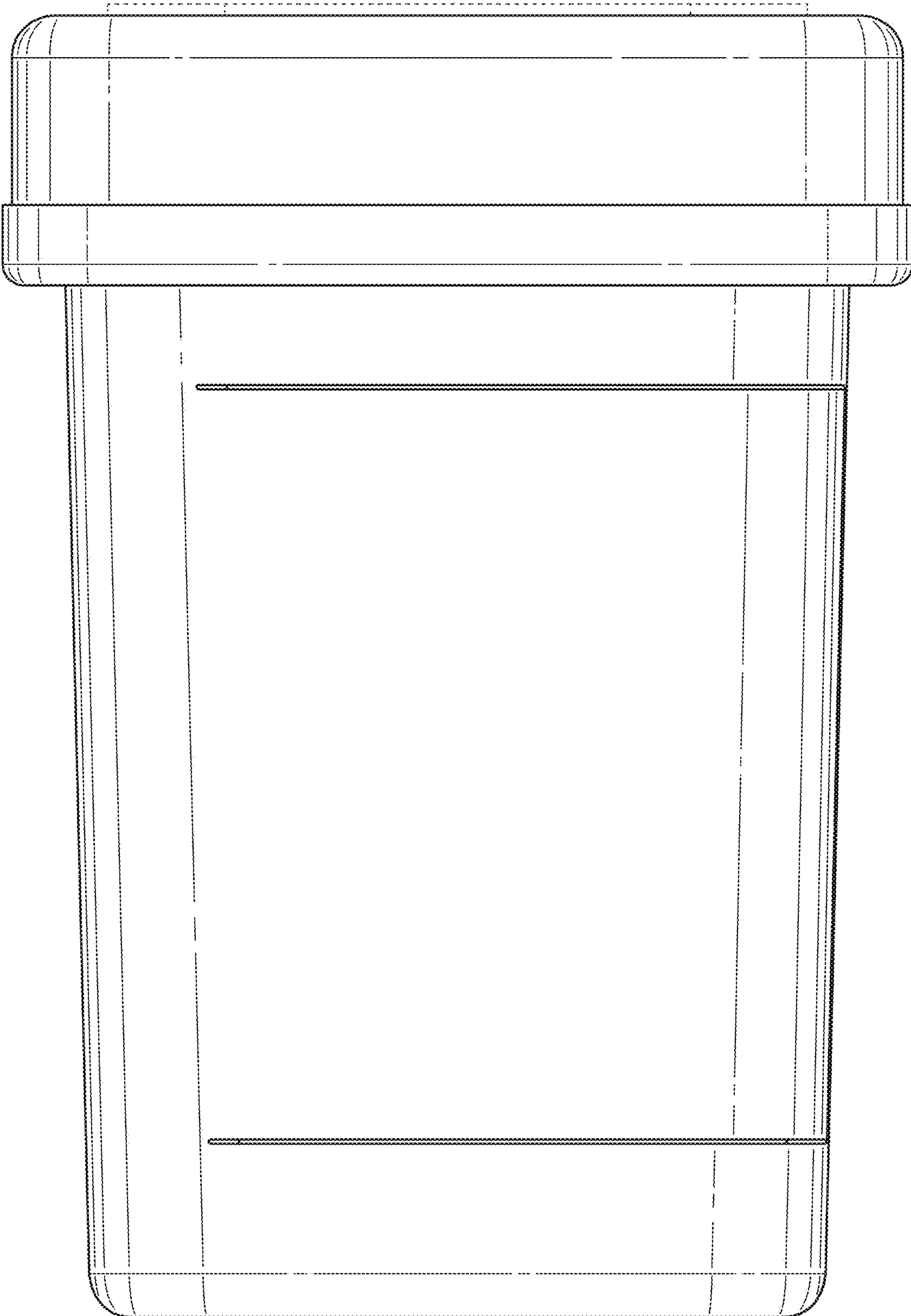


FIG. 2

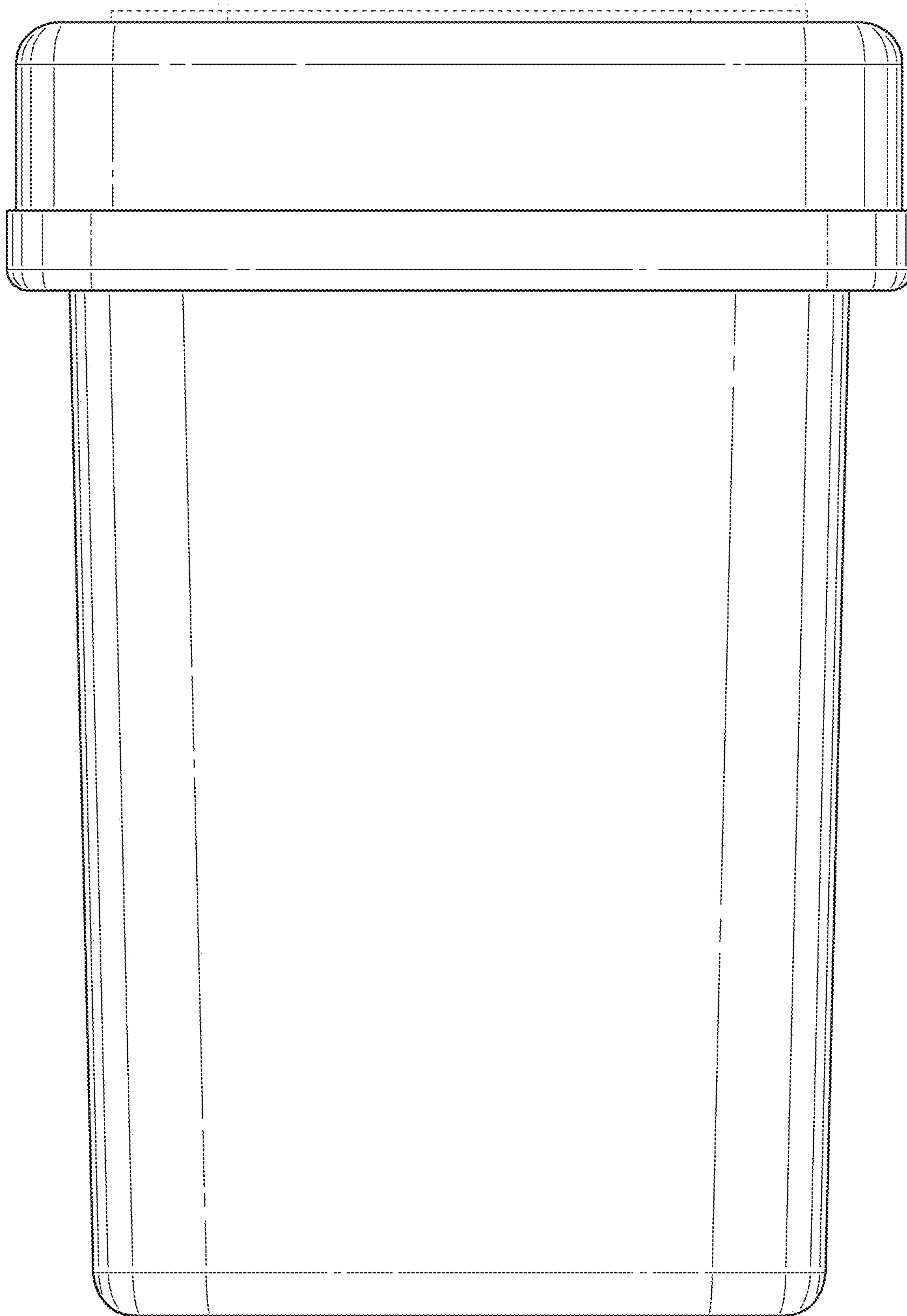


FIG. 3

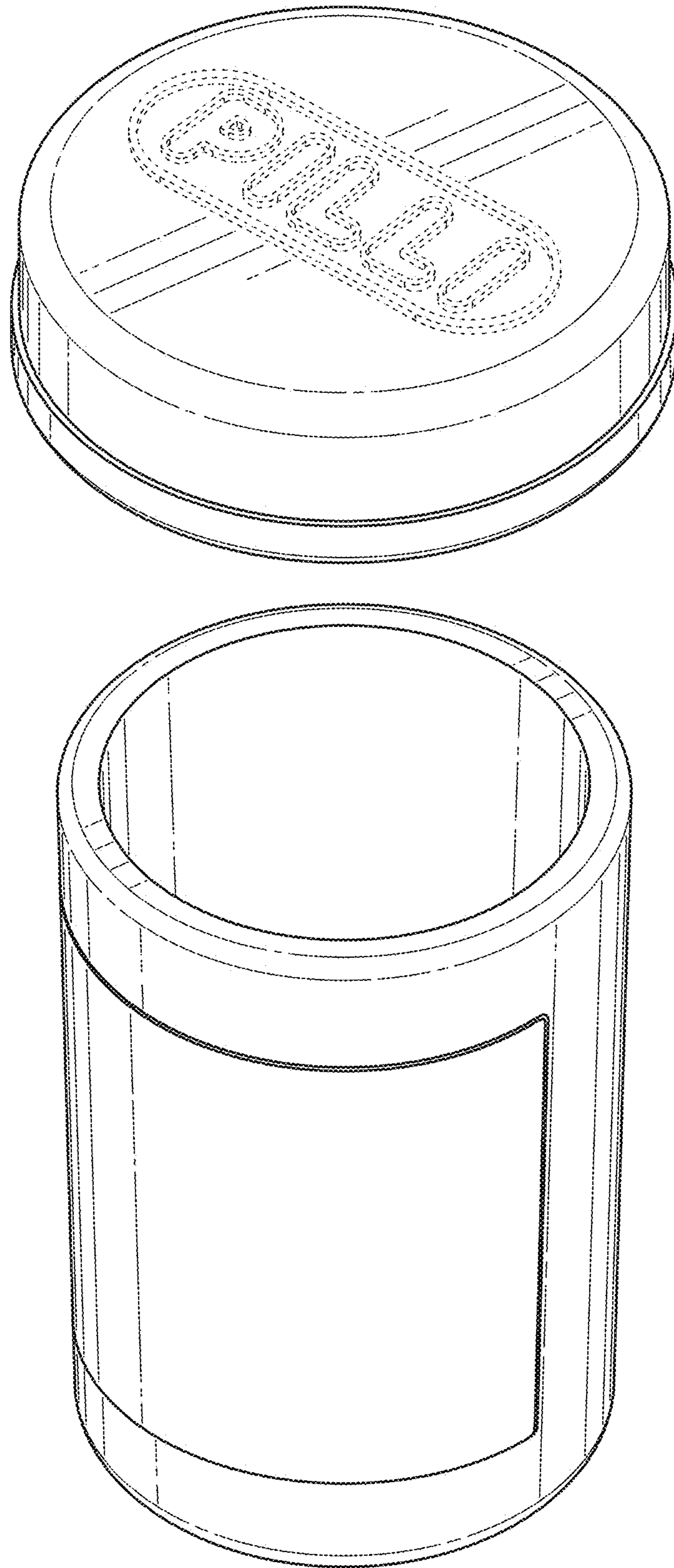


FIG. 4

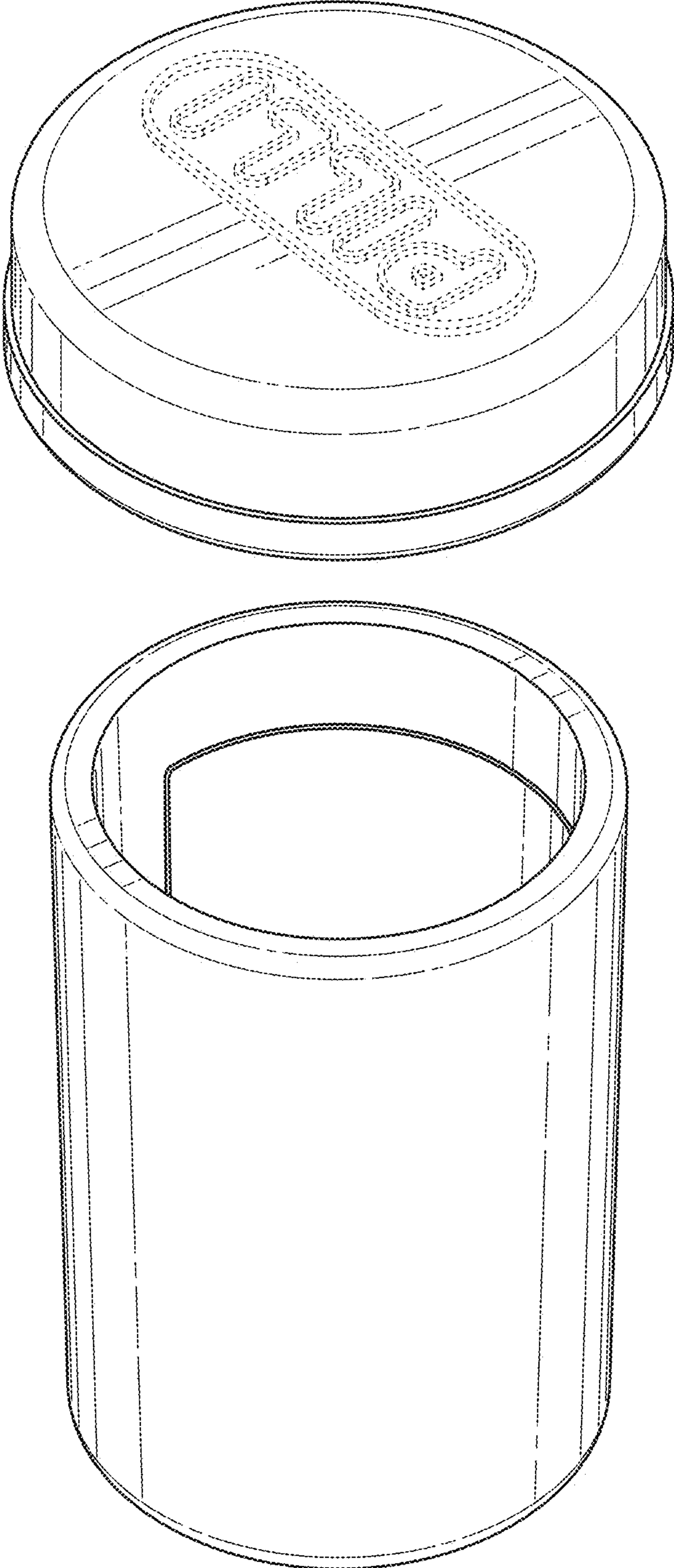


FIG. 5

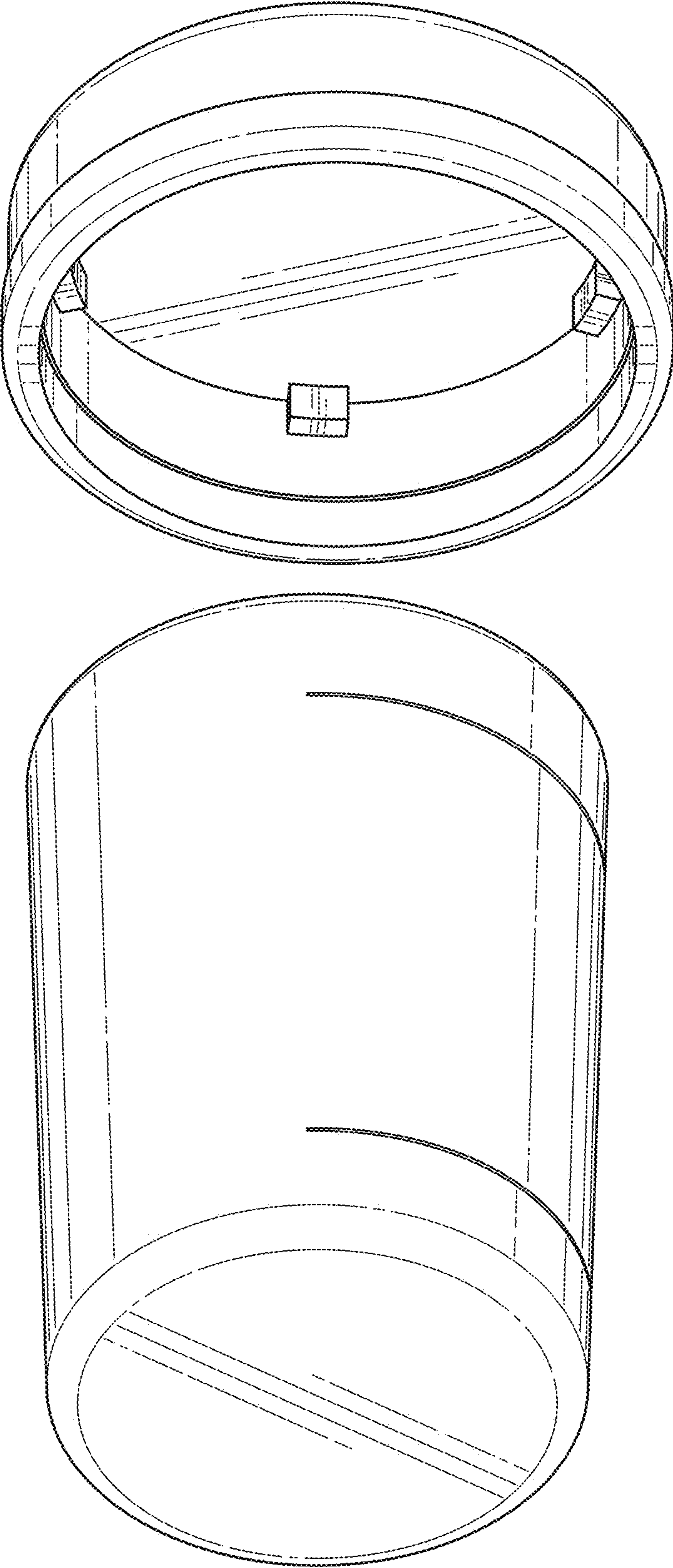


FIG. 6



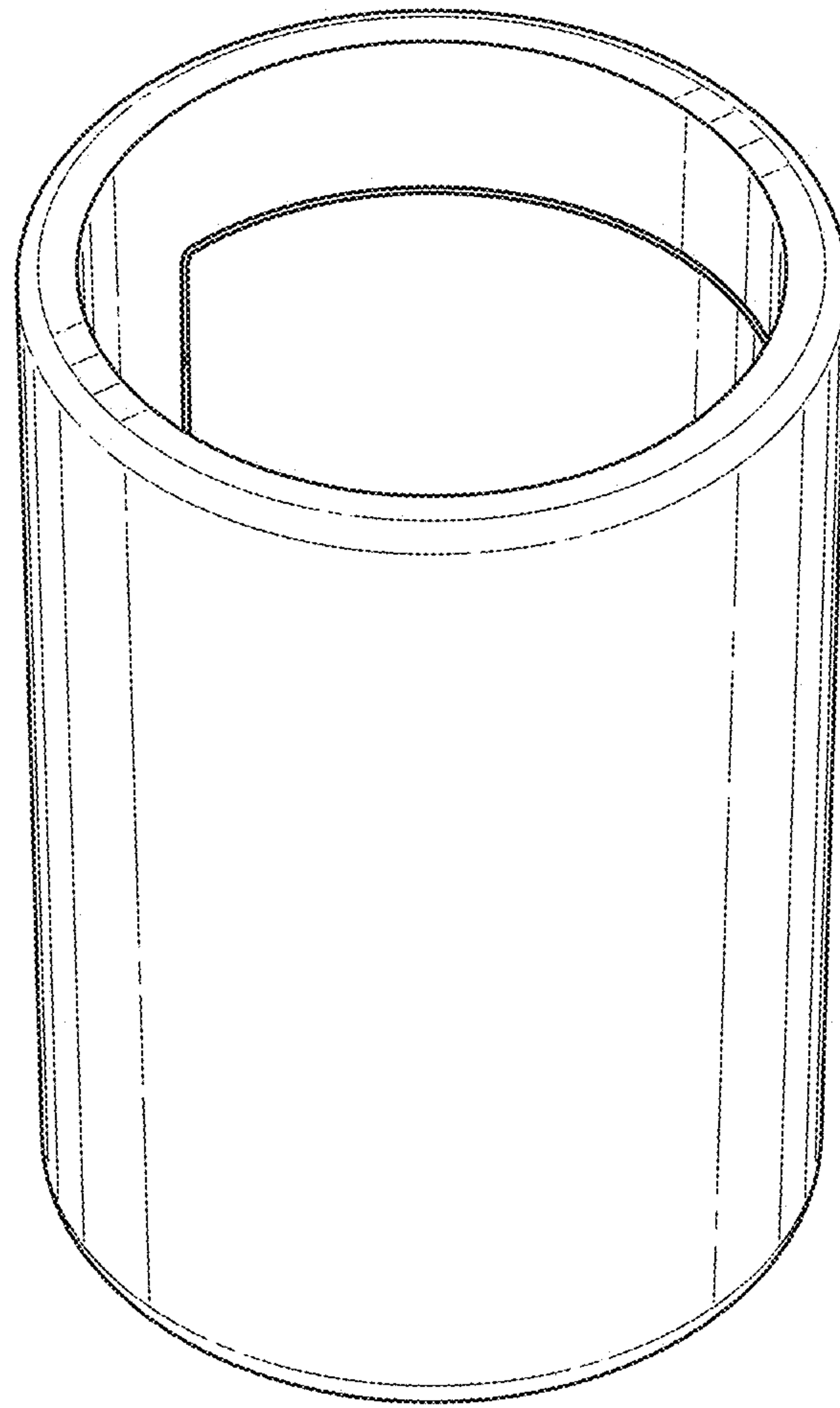


FIG. 7

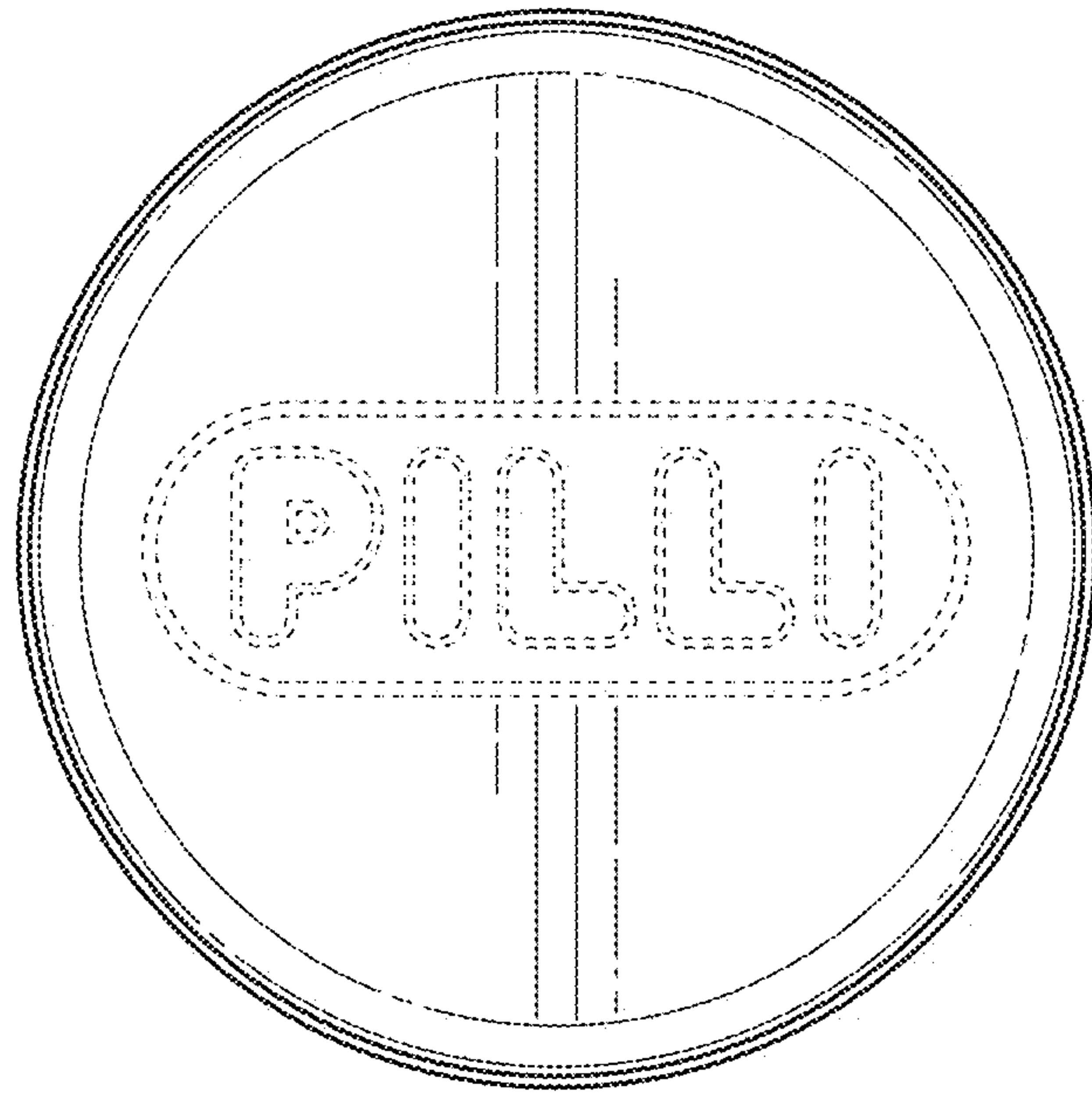


FIG. 8

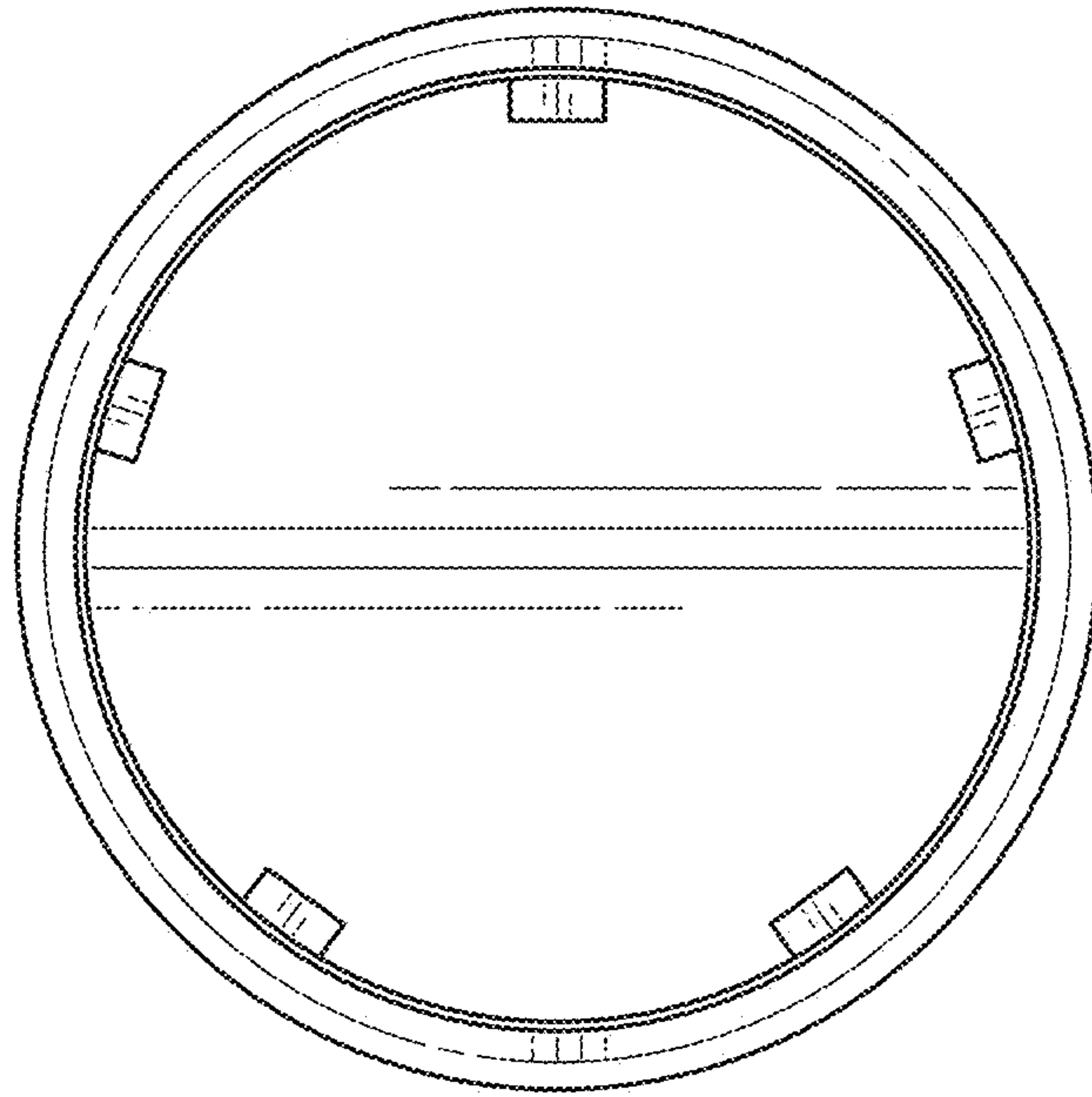


FIG. 9

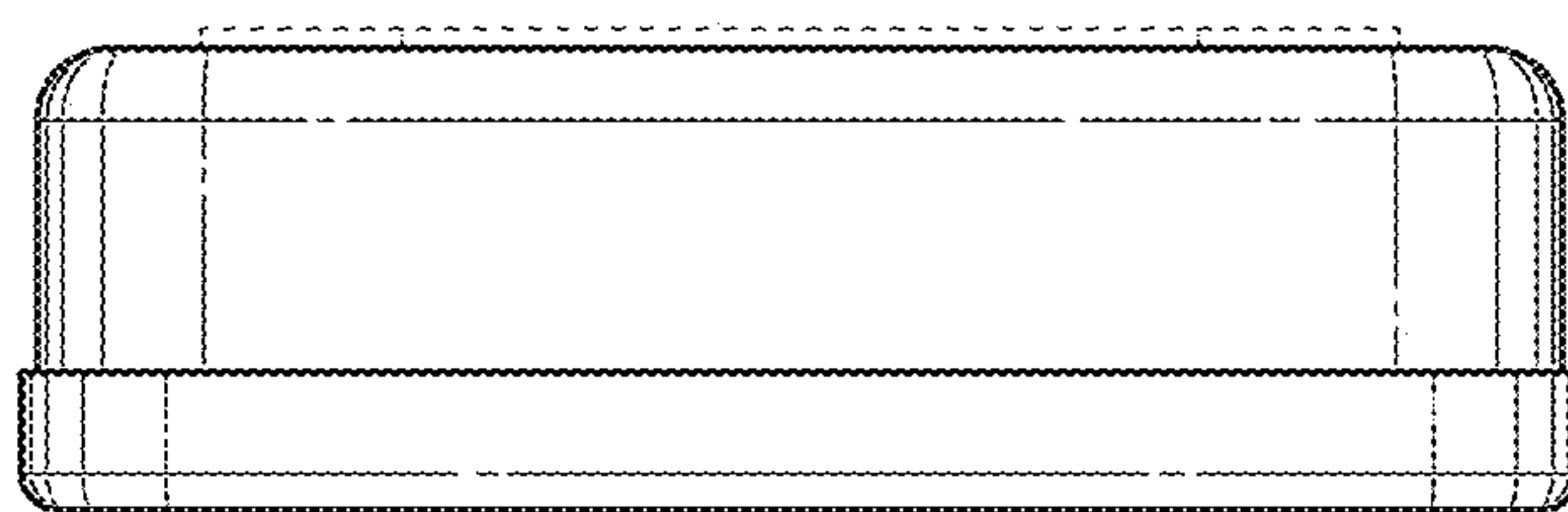


FIG. 10