



US00D980591S

(12) **United States Design Patent**
Huang

(10) **Patent No.:** **US D980,591 S**
(45) **Date of Patent:** **** Mar. 14, 2023**

(54) **SHOE**

(71) Applicant: **STARLINK TECHNOLOGY CO., LIMITED**, Hong Kong (CN)

(72) Inventor: **Jie Huang**, Singapore (SG)

(73) Assignee: **STARLINK TECHNOLOGY CO., LIMITED**, Hong Kong (CN)

(**) Term: **15 Years**

(21) Appl. No.: **29/810,963**

(22) Filed: **Oct. 11, 2021**

(51) **LOC (14) Cl.** **02-04**

(52) **U.S. Cl.**
USPC **D2/926**; D2/918

(58) **Field of Classification Search**
USPC D2/896, 950, 919, 916, 929, 930, 940,
D2/942, 943

See application file for complete search history.

(56) **References Cited**

U.S. PATENT DOCUMENTS

D550,944 S *	9/2007	Choi	D2/971
D582,141 S *	12/2008	Lawler	D2/971
D582,654 S *	12/2008	Guers-Neyraud	D2/971
D628,787 S *	12/2010	Guers-Neyraud	D2/971
D783,243 S *	4/2017	Campbell	D2/926
D838,089 S	1/2019	Celin et al.		
D853,102 S *	7/2019	Castillo	D2/964
D859,791 S	9/2019	Webster		
D879,421 S *	3/2020	Castillo	D2/939
D879,422 S *	3/2020	Castillo	D2/926
D895,941 S *	9/2020	Patt	D2/930
D954,406 S *	6/2022	Chung	D2/925
2017/0172256 A1 *	6/2017	Ganci	A43C 11/1493
2019/0021445 A1 *	1/2019	Eugene	A43C 11/14

OTHER PUBLICATIONS

Amazon Listing Vivaia Jolie Mid Chunky Heel Mule, First Available on Aug. 24, 2021. Available online at <https://www.amazon.com/VIVAIA-Womens-Sandals-Pointed-toe-Commute/dp/B09DFP83GS> Retrieved from internet Jul. 22, 2022 (2021) (Year: 2021).*

Amazon Listing Joybi Women's Slip on Loafers, First Available on Mar. 8, 2019. Available online at <https://www.amazon.com/JOYBI-Loafers-Backless-Leather-Slippers/dp/B07PFVMWKX?th=1> Retrieved from internet Jul. 26, 2022 (2019) (Year: 2019).*

Malone Souliers Stories Blog dated Mar. 3, 2021 Available online at <https://www.malonesouliers.com/blogs/we-are-cordwainers/pursuing-a-conscious-craft> (2021) Retrieved from internet Jul. 26, 2022 (2021) (Year: 2021).*

* cited by examiner

Primary Examiner — Jennifer L Watkins

Assistant Examiner — Christine Tucci

(57) **CLAIM**

The ornamental design for a shoe, as shown and described.

DESCRIPTION

FIG. 1 is a perspective view of a shoe showing my new design;

FIG. 2 is another perspective view thereof;

FIG. 3 is a front elevational view thereof;

FIG. 4 is a rear elevational view thereof;

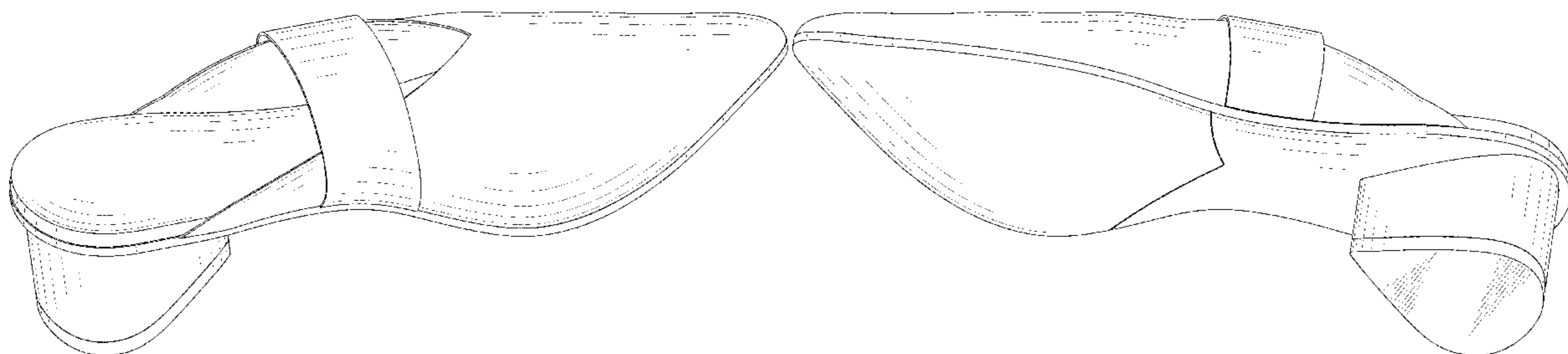
FIG. 5 is a left side elevational view thereof;

FIG. 6 is a right side elevational view thereof;

FIG. 7 is a top plan view thereof; and,

FIG. 8 is a bottom plan view thereof.

1 Claim, 8 Drawing Sheets



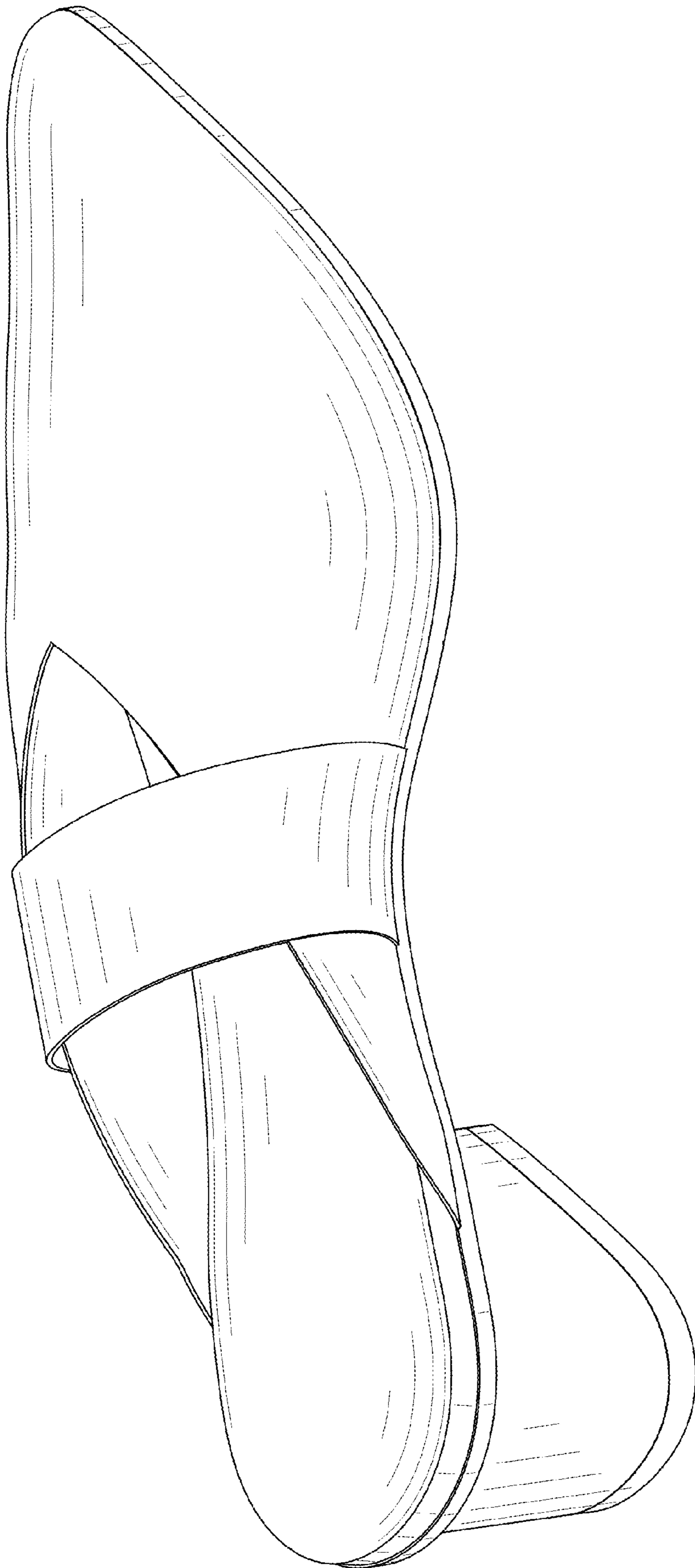


FIG. 1

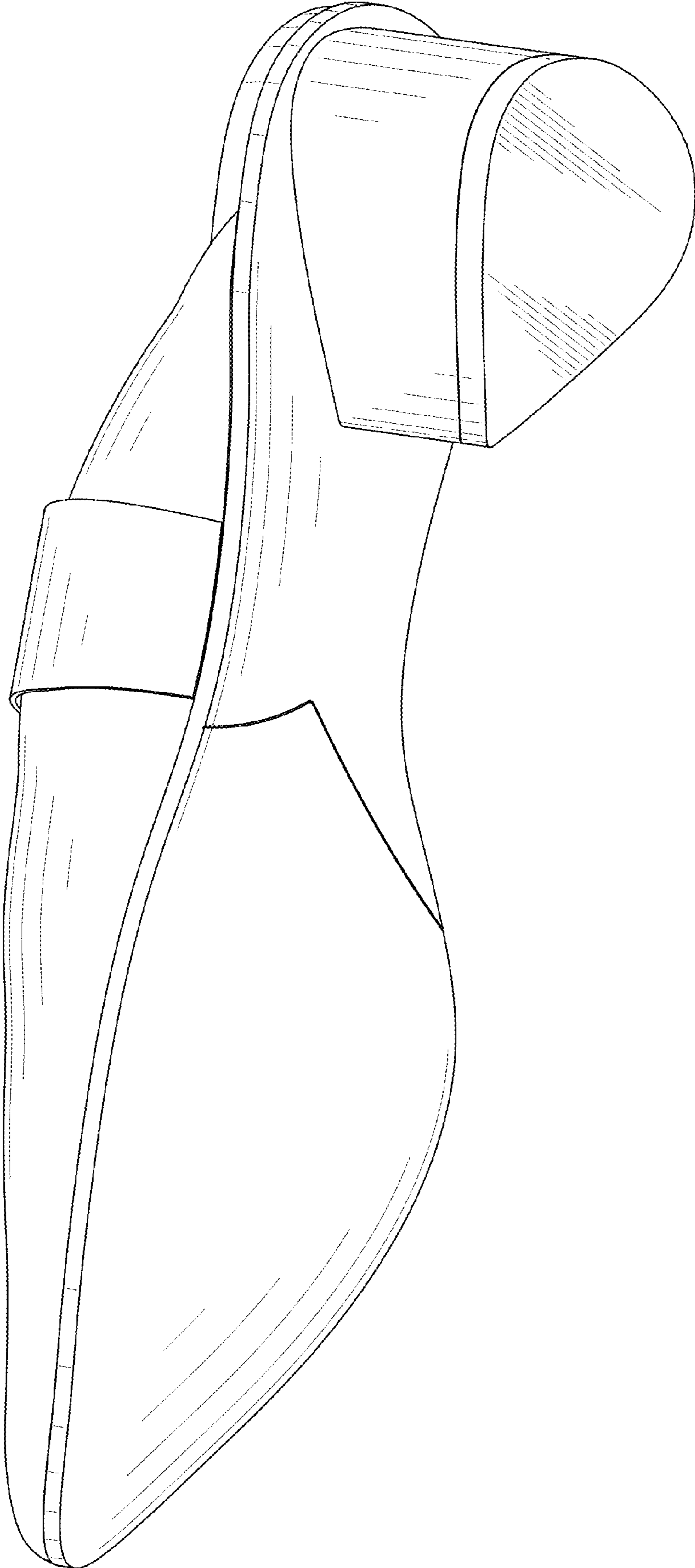


FIG. 2

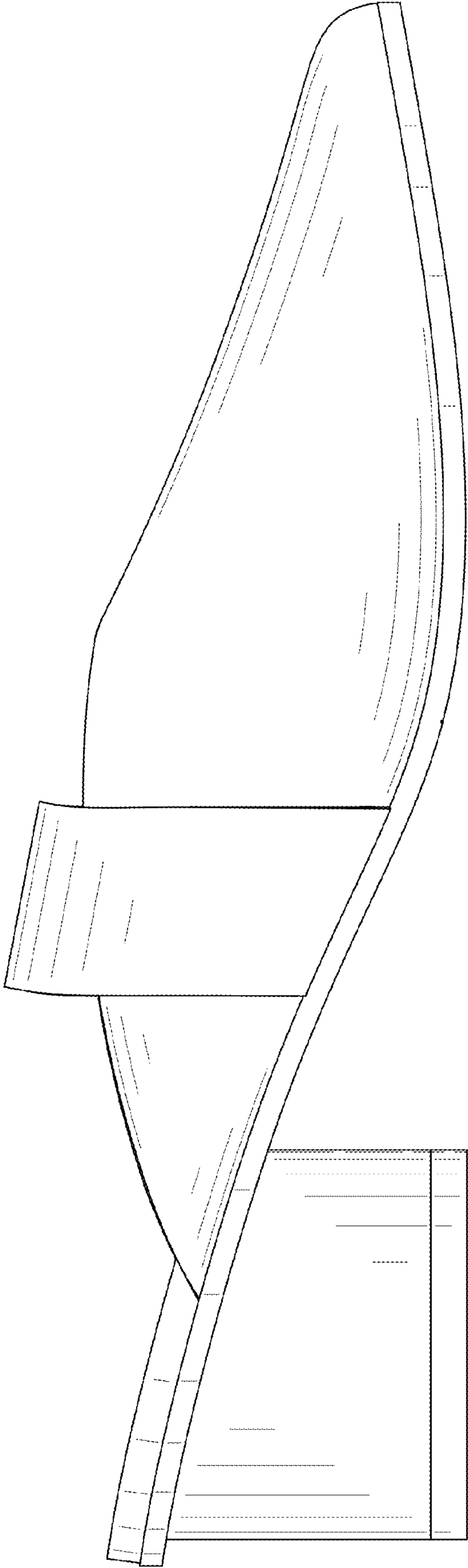


FIG. 3

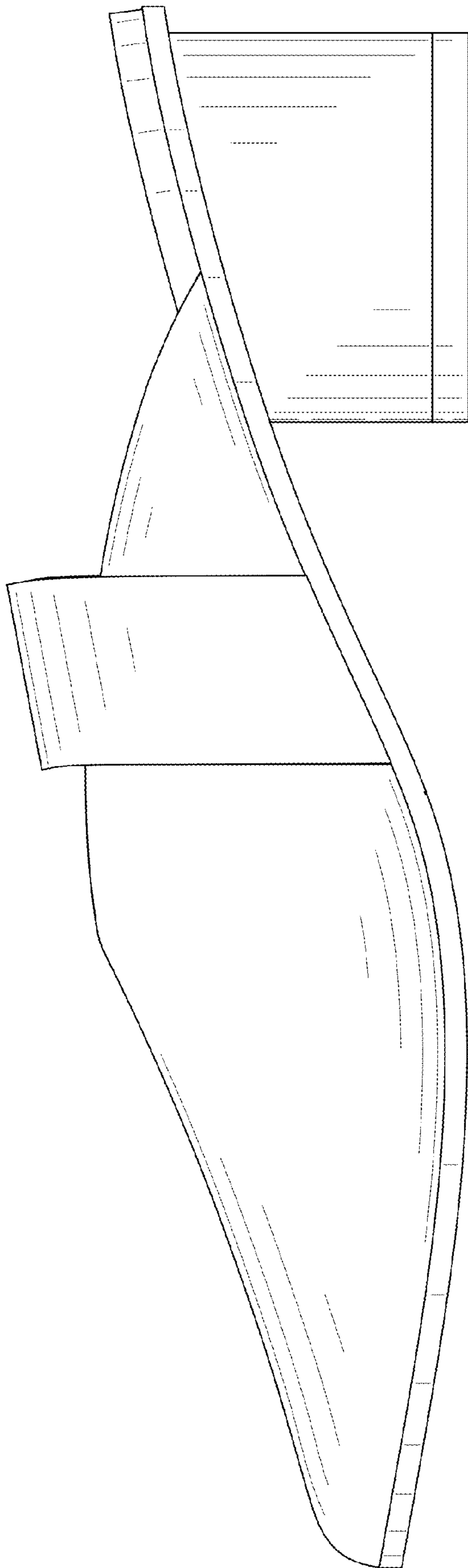


FIG. 4

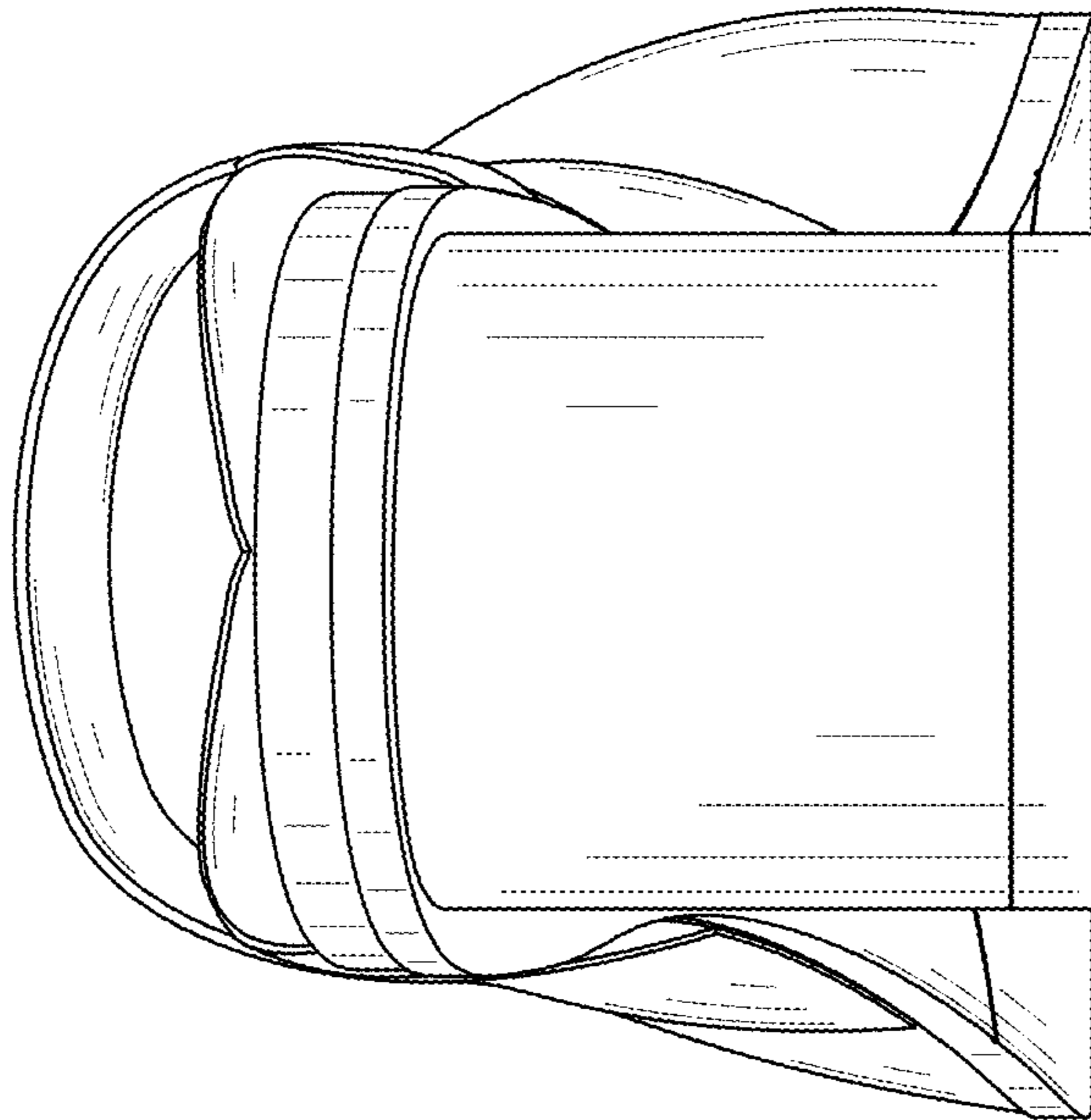


FIG. 5

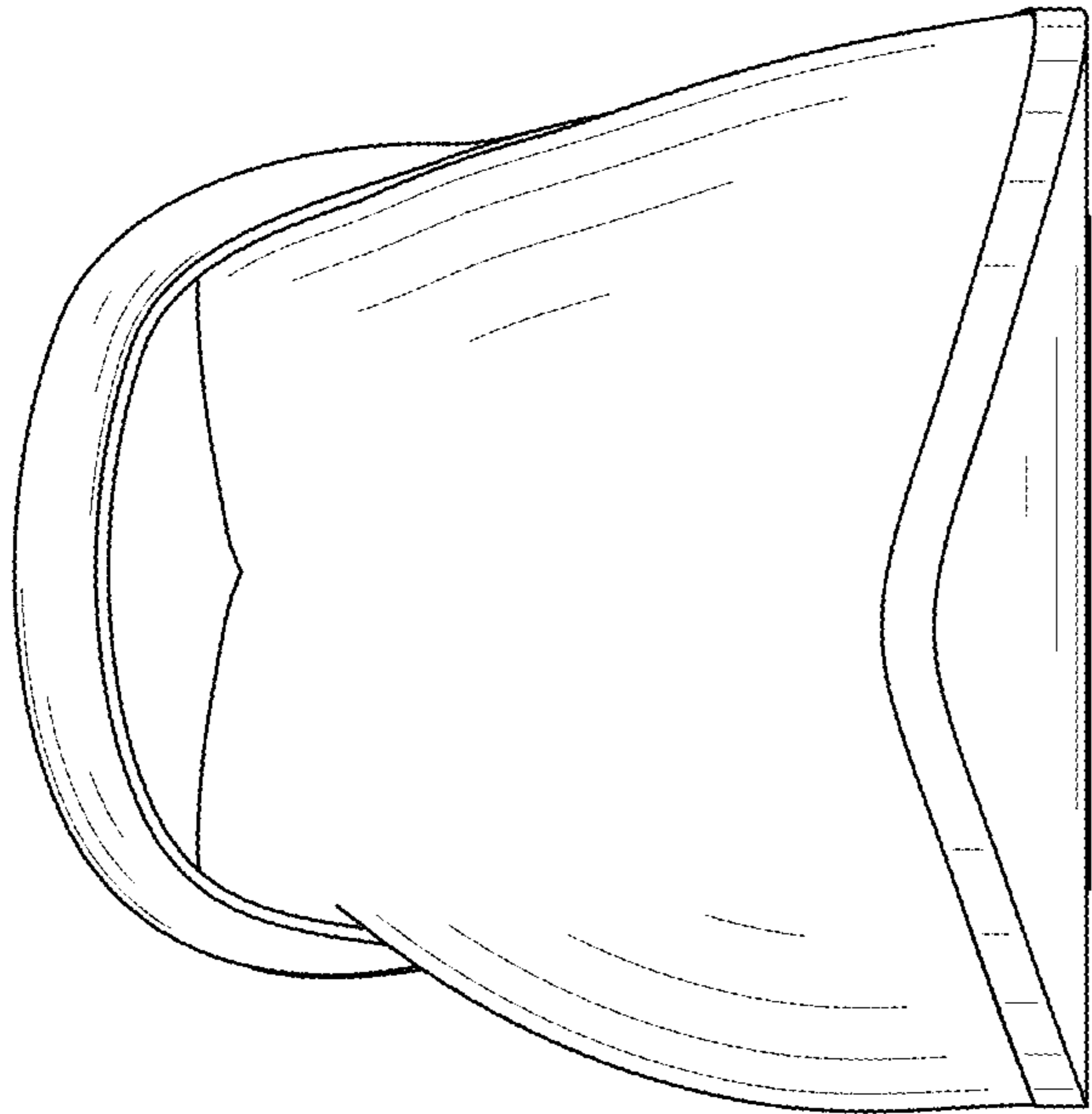


FIG. 6

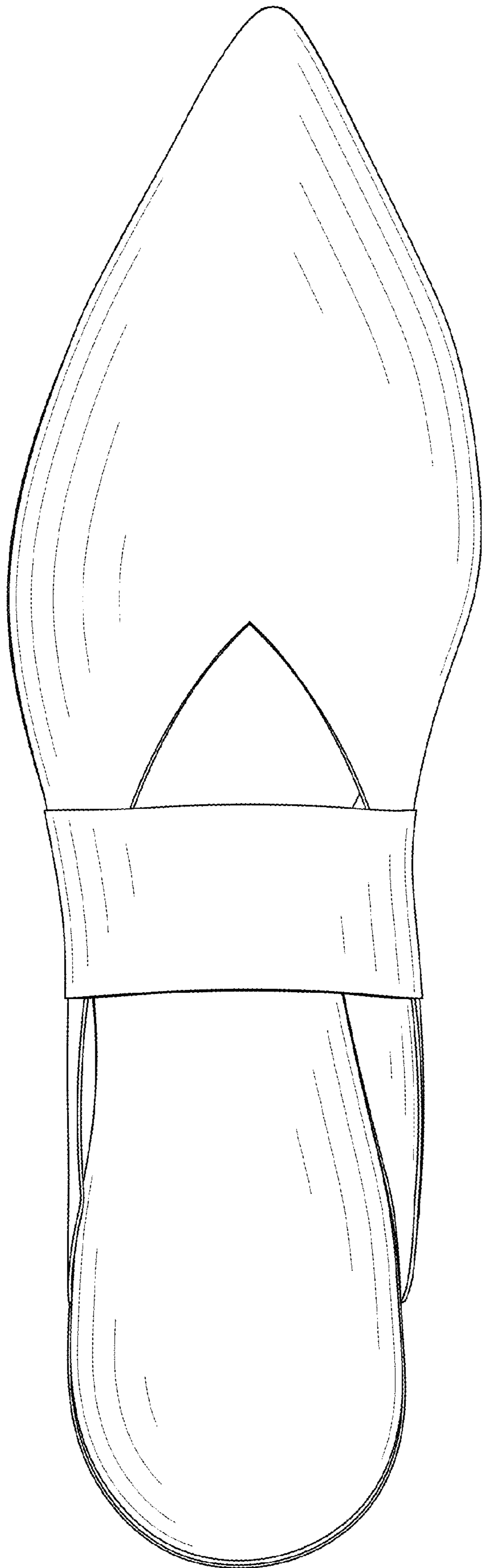


FIG. 7

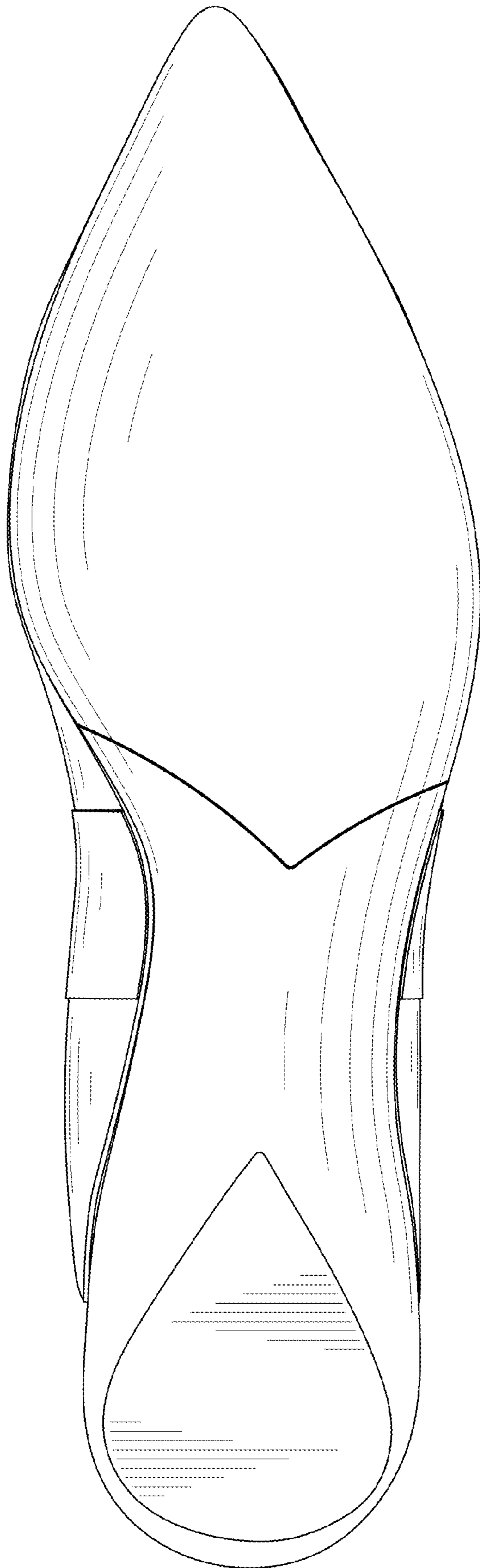


FIG. 8