



US00D980579S

(12) **United States Design Patent** (10) **Patent No.:** **US D980,579 S**
Lopez (45) **Date of Patent:** **** Mar. 14, 2023**

(54) **SOCK ASSIST DEVICE** 7,287,675 B1 10/2007 Sullivan
7,395,951 B2 7/2008 Clayman
(71) Applicant: **Vive Health LLC**, Naples, FL (US) 8,356,735 B1 1/2013 Drakeford
D896,467 S * 9/2020 Carlson A47G 25/905
(72) Inventor: **Juan Lopez**, Naples, FL (US) 2006/0138181 A1* 6/2006 Thom A47G 25/905
223/111
(73) Assignee: **WALKER EDISON FURNITURE** 2009/0272772 A1* 11/2009 Sullivan A47G 25/905
COMPANY LLC, West Jordan, UT 223/118
(US) 2011/0042425 A1 2/2011 Norris
2014/0263486 A1 9/2014 Taylor
(**) Term: **15 Years** (Continued)

(21) Appl. No.: **29/755,113**

FOREIGN PATENT DOCUMENTS

(22) Filed: **Oct. 16, 2020**
(51) **LOC (14) Cl.** **07-99**
(52) **U.S. Cl.**
USPC **D2/641**
(58) **Field of Classification Search**
USPC D2/641-643, 999; D3/200; D11/221;
D28/91.2
CPC A47G 25/80; A47G 25/82; A47G 25/86;
A47G 25/90; A47G 25/902; A47G
25/905; A47G 25/907
See application file for complete search history.

AU 2003100774 11/2003
WO WO2018202249 11/2018

OTHER PUBLICATIONS

U.S. Appl. No. 17/073,079, filed Oct. 16, 2020, Vive Health LLC.
U.S. Appl. No. 17/073,079, Nov. 12, 2021, Office Action.
U.S. Appl. No. 17/073,079, Mar. 24, 2022, Notice of Allowance.

Primary Examiner — Kevin K Rudzinski
Assistant Examiner — Clare Ann Gannon
(74) *Attorney, Agent, or Firm* — Workman Nydegger

(56) **References Cited**

(57) **CLAIM**

U.S. PATENT DOCUMENTS

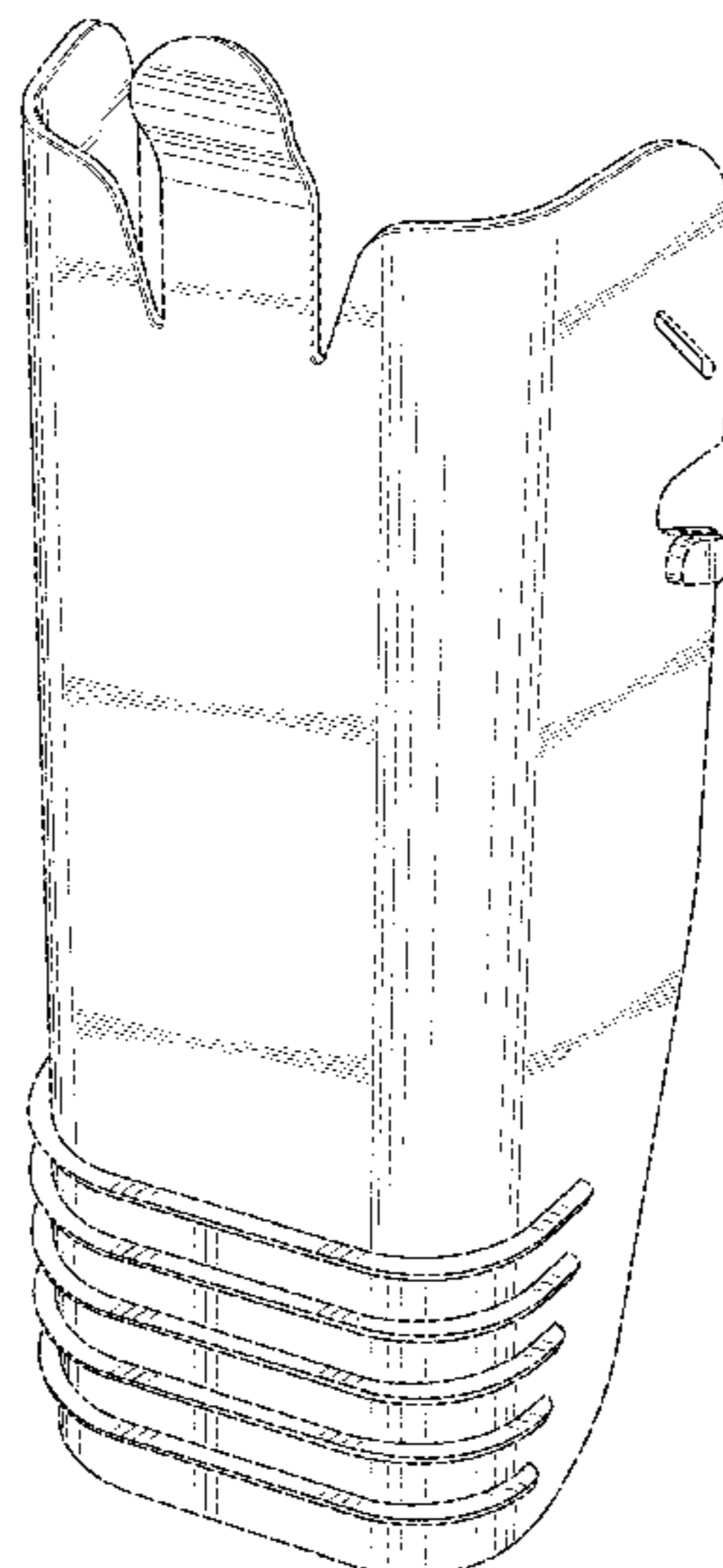
The ornamental design for a sock assist device, as shown and described.

D251,877 S * 5/1979 Fonner A47G 25/908
D2/642
4,789,087 A 12/1988 Doorenbos
5,626,269 A 5/1997 Duarte
5,826,761 A * 10/1998 Basaj A47G 25/905
223/111
5,894,970 A 4/1999 Belkin
5,909,831 A * 6/1999 Griffin A47G 25/905
223/111
D414,911 S * 10/1999 Basaj A47G 25/80
D2/641
6,932,252 B2 * 8/2005 Simmons A47G 25/905
223/111
7,070,074 B2 7/2006 Landsberger
7,234,616 B2 6/2007 Thom

DESCRIPTION

FIG. 1 is a bottom perspective view of a sock assist device showing the new design;
FIG. 2 is a bottom elevation view thereof;
FIG. 3 is a top elevation view thereof;
FIG. 4 is a right elevation view thereof;
FIG. 5 is a left elevation view thereof;
FIG. 6 is a rear plan view thereof; and,
FIG. 7 is a front plan view thereof.

1 Claim, 7 Drawing Sheets



(56)

References Cited

U.S. PATENT DOCUMENTS

2015/0313396 A1* 11/2015 Carlson A47G 25/908
223/111
2019/0254458 A1 8/2019 Shahar
2022/0117425 A1* 4/2022 Lopez A47G 25/80

* cited by examiner



FIG. 1

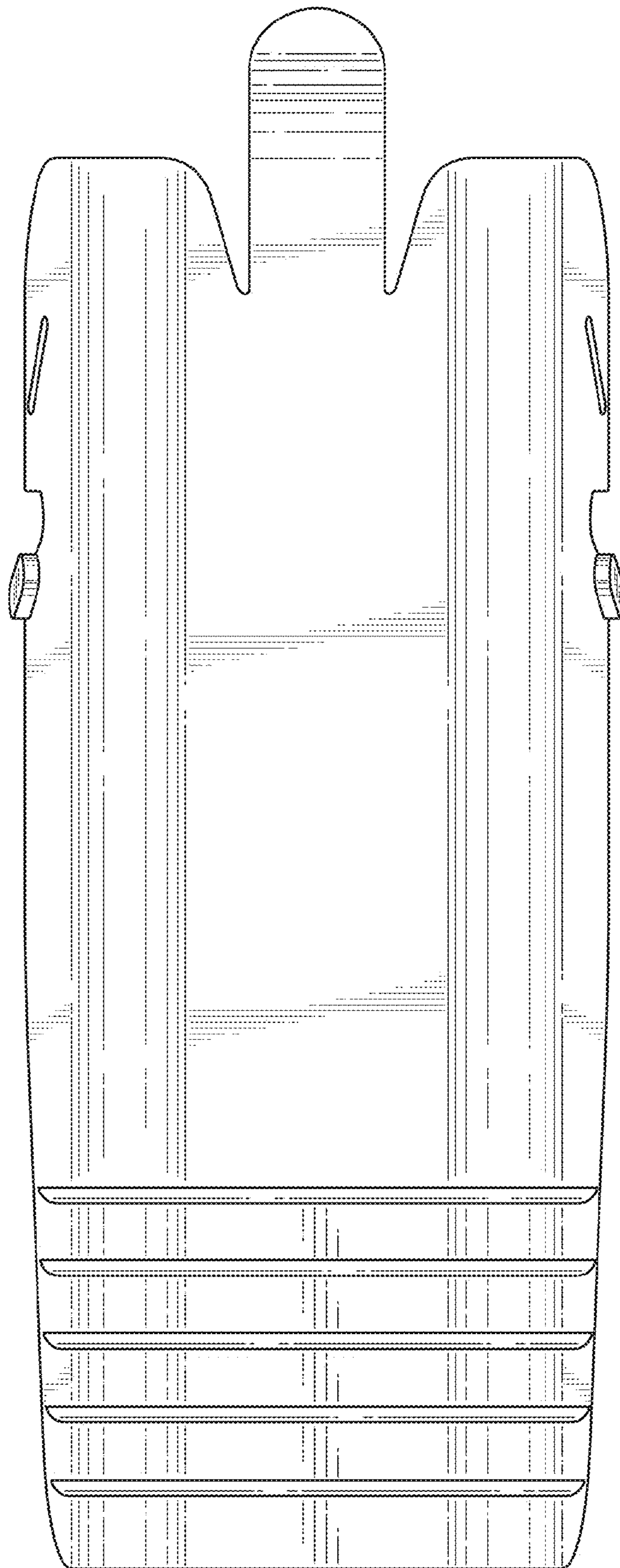


FIG. 2

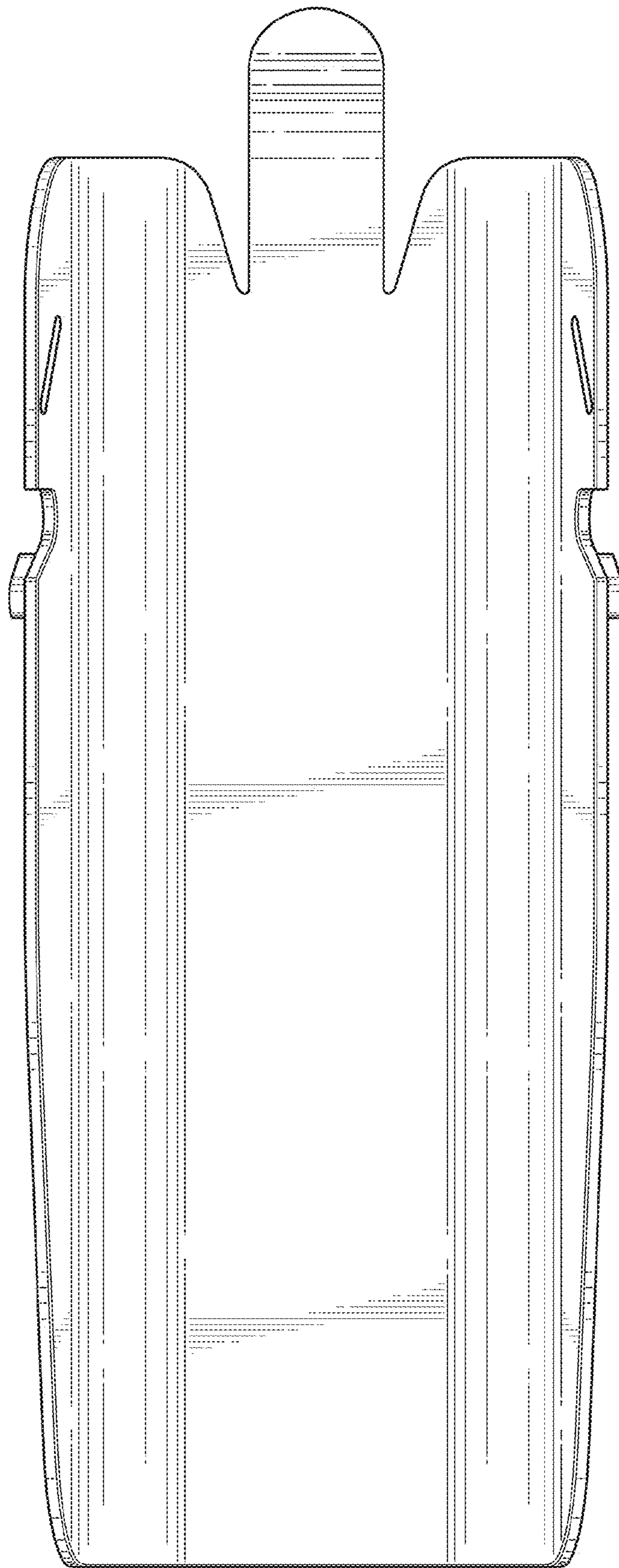


FIG. 3

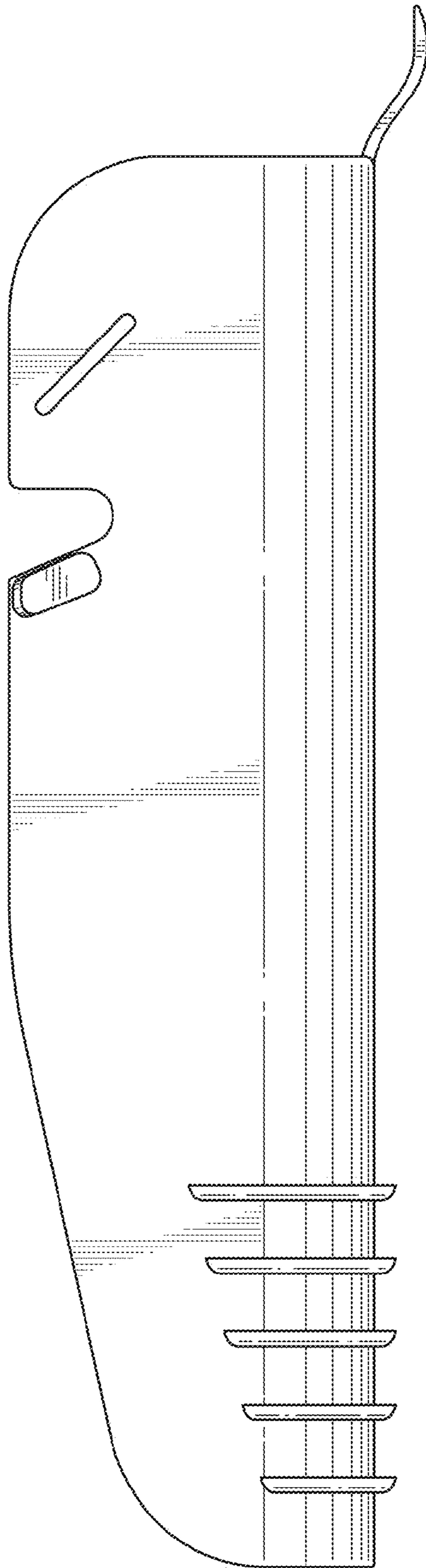


FIG. 4

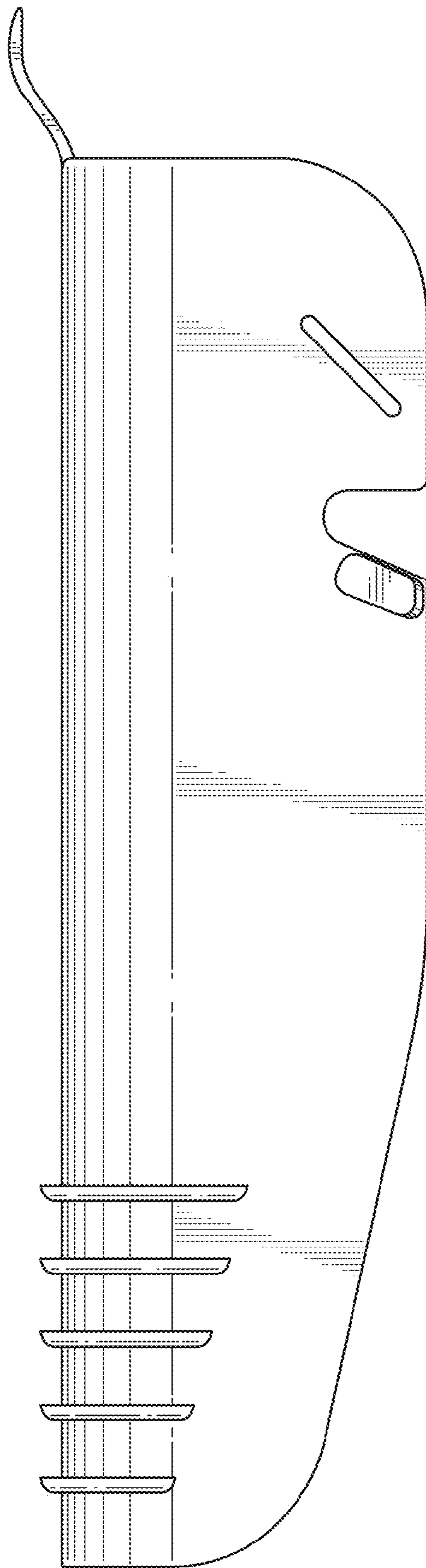


FIG. 5

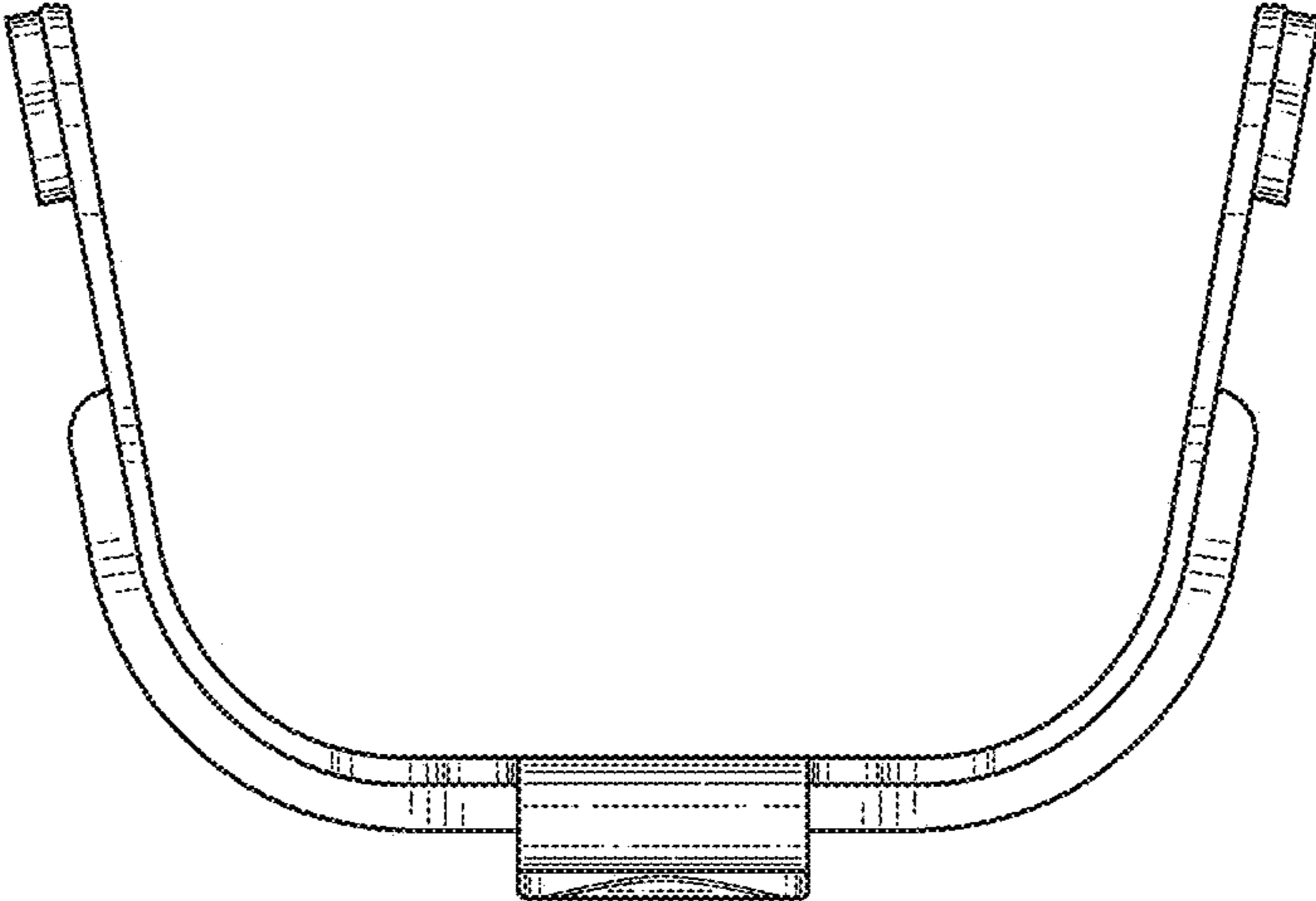


FIG. 6

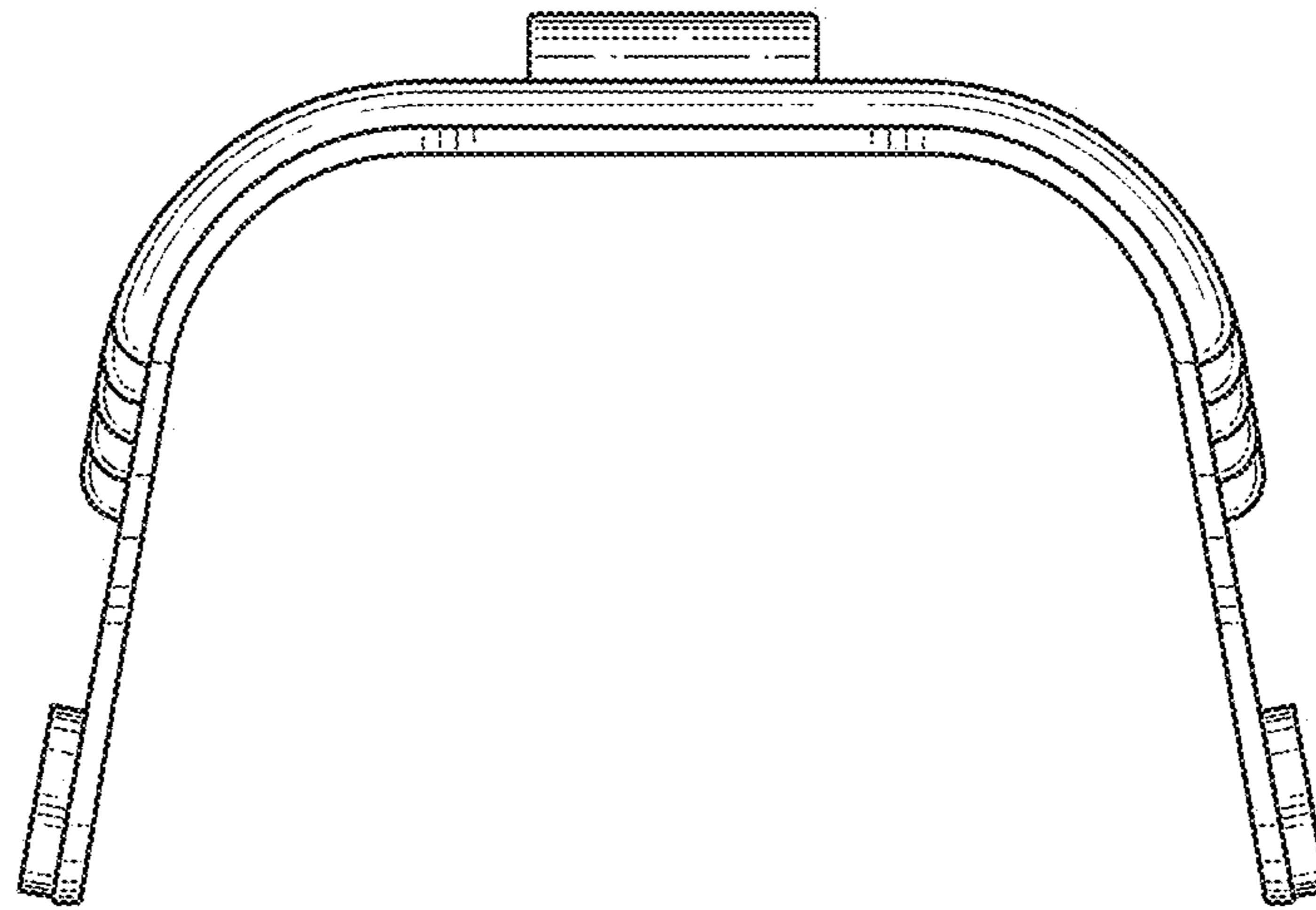


FIG. 7

UNITED STATES PATENT AND TRADEMARK OFFICE
CERTIFICATE OF CORRECTION

PATENT NO. : D980,579 S
APPLICATION NO. : 29/755113
DATED : March 14, 2023
INVENTOR(S) : Juan Lopez

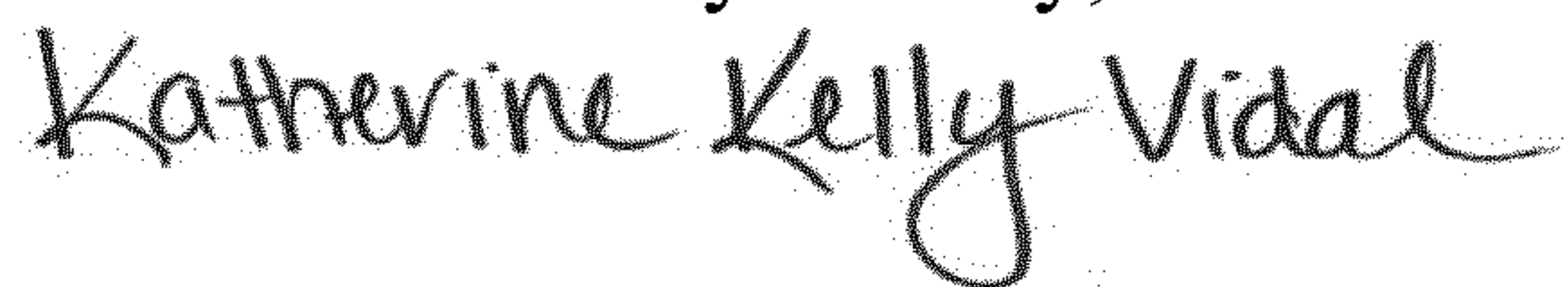
Page 1 of 1

It is certified that error appears in the above-identified patent and that said Letters Patent is hereby corrected as shown below:

On the Title Page

Item (73), Assignee, change "WALKER EDISON FURNITURE COMPANY LLC, West Jordan, Ut (US)" to "VIVE HEALTH LLC, Naples, FL (US)"

Signed and Sealed this
Sixteenth Day of May, 2023



Katherine Kelly Vidal
Director of the United States Patent and Trademark Office