



US00D980577S

(12) **United States Design Patent** (10) **Patent No.:** **US D980,577 S**
Farah (45) **Date of Patent:** **** Mar. 7, 2023**

(54) **BANK TRANSFER BOX**

(71) Applicant: **BANCO NACIONAL DE MEXICO, S.A. INTEGRANTE DEL GRUPO FINANCIERO BANAMEX,**
Delegación Cuauhtémoc (MX)

(72) Inventor: **Claudio Mauricio Canavati Farah,**
Huixquilucan (MX)

(73) Assignee: **BANCO NACIONAL DE MEXICO, S.A. INTEGRANTE DEL GRUPO FINANCIERO BANAMEX,**
Delegación Cuauhtémoc (MX)

(**) Term: **15 Years**

(21) Appl. No.: **29/768,496**

(22) Filed: **Jan. 29, 2021**

(30) **Foreign Application Priority Data**

Jul. 30, 2020 (MX) MX/f/2020/001780

(51) **LOC (14) Cl.** **99-00**

(52) **U.S. Cl.**
USPC **D99/28**

(58) **Field of Classification Search**

USPC D99/28, 34, 35, 36, 43, 99; D3/201, 272,
D3/273, 903, 904, 905; D18/3.1, 3.3,
D18/12.1

CPC A45C 1/12; A45C 2001/125; A45C
2001/102; A45C 2001/104; A45C
2001/006; A45C 2001/003; A45C
2001/105; A45C 2001/107; E05G 1/00;
E05G 1/005; E05G 1/024; E05G 1/026;
E05G 5/00; E05G 7/00; E05G 7/001;
B63C 7/30; G07D 9/00; G07D 9/002;
G07D 9/004; G07D 9/006; G07D 9/008;
G07D 9/02; G07D 9/04; G07D 9/06;
G07D 9/065; G07D 11/00; G07D
11/0021; G07D 13/00; G07D 2201/00;
G07D 2211/00; G07F 9/06; G07F 9/08

See application file for complete search history.

(56) **References Cited**

U.S. PATENT DOCUMENTS

4,391,204 A * 7/1983 Mitchell G07F 17/12
109/51
4,669,394 A * 6/1987 Fogleman E05G 1/02
70/278.1
D291,019 S * 7/1987 Druihet D99/28
D308,276 S * 5/1990 Appelbaum D99/28
(Continued)

OTHER PUBLICATIONS

Security Safe Box 2-Layer Cabinet Safe w/Electronic Digital Key-
pad Deposit Box, <https://www.ebay.com/itm/294687910438>, Oct. 11,
2022. (Year: 2022).*

(Continued)

Primary Examiner — Elizabeth J Oswecki
(74) *Attorney, Agent, or Firm* — Jacob M. Ward; Ward
Law Office LLC

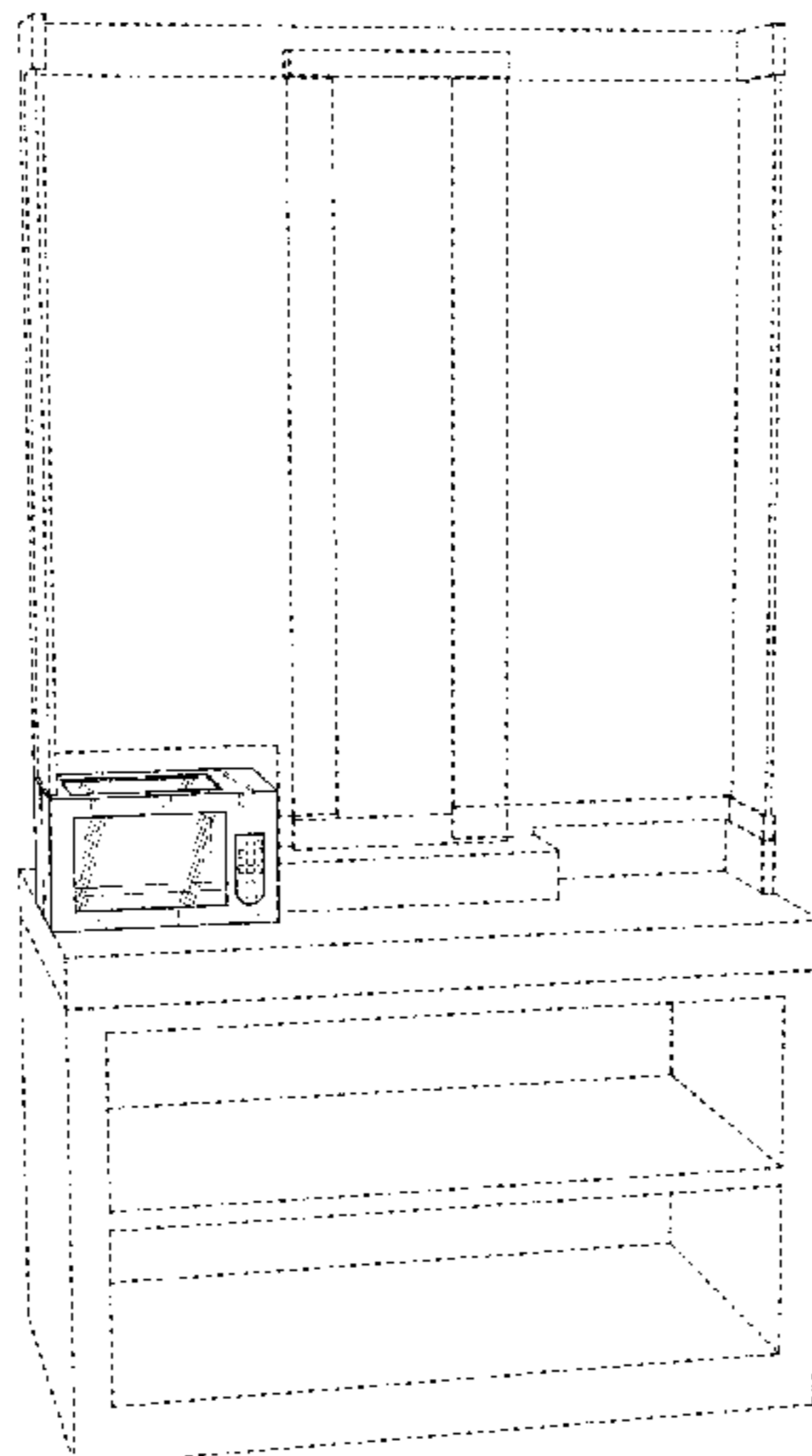
(57) **CLAIM**

The ornamental design for a bank transfer box, as shown and
described.

DESCRIPTION

FIG. 1 is a rear perspective view of a bank transfer box
showing my new design;
FIG. 2 is a front perspective view thereof;
FIG. 3 is a rear elevational view thereof;
FIG. 4 is a front elevational view thereof;
FIG. 5 is a top plan view thereof;
FIG. 6 is a bottom plan view thereof;
FIG. 7 is a left side elevational view thereof; and,
FIG. 8 is right side elevational view thereof.
The broken lines in the drawings form no part of the claimed
design.

1 Claim, 5 Drawing Sheets



(56)

References Cited

U.S. PATENT DOCUMENTS

D308,279 S * 5/1990 Hill D99/28
 D308,744 S * 6/1990 Arauchi D99/28
 D380,793 S * 7/1997 Conwell D99/28
 D409,352 S * 5/1999 Nolte D99/28
 D461,617 S * 8/2002 Gardner D99/28
 D485,041 S * 1/2004 Paris D99/28
 D485,960 S * 1/2004 Paris D99/43
 D495,113 S * 8/2004 Lynch D6/705.5
 D498,895 S * 11/2004 Lynch D99/28
 D516,768 S * 3/2006 Walker D99/35
 D516,769 S * 3/2006 Walker D99/35
 D517,269 S * 3/2006 Walker D99/28
 D517,770 S * 3/2006 Walker D99/35
 D534,965 S * 1/2007 Chung D99/28
 D557,875 S * 12/2007 Stuhlberg D99/28
 7,918,362 B2 * 4/2011 Schmitt B65D 55/14
 220/665
 D719,344 S * 12/2014 Miller D99/28
 D748,365 S * 1/2016 Nelson D99/28
 D758,690 S * 6/2016 Miller D99/28
 D811,687 S * 2/2018 Kang D99/28

D814,139 S * 3/2018 Newcomb D99/28
 D876,044 S * 2/2020 Sisco D99/28
 D880,102 S * 3/2020 Quinn D99/28
 D880,103 S * 3/2020 Quinn D99/28
 10,750,860 B1 * 8/2020 Arndt A47B 81/005
 D919,225 S * 5/2021 Sheng D99/28
 D940,430 S * 1/2022 Fearnall D99/28
 D950,882 S * 5/2022 Connolly D99/28

OTHER PUBLICATIONS

Emergency Lock Box: Surface, Single Key, 3 Key Capacity, Steel, [https://www.globalindustrial.com/p/global-hotel-safe-electronic-lock-w-card-slot-18-w-x-15-d-x-9-h-keyed-alike-off-white?infoParam.campaignId](https://www.grainger.com/product/2NEU2?gucid=N:N:PS:Paid:GGL:CSM-2295:4P7A1P:20501231&gclid=EA1a1QobChMI_LeG-6Hv-glVQzetBh1krQXVEAQYESABEgK3wvD_BwE&gclid=aw.ds,2022. (Year: 2022).*</p>
<p>Global Industrial™ Personal Hotel Safe Electronic Lock Card Slot 18×15×9 Keyed Differently WHT, <a href=), Feb. 10, 2017. (Year: 2017).*

* cited by examiner

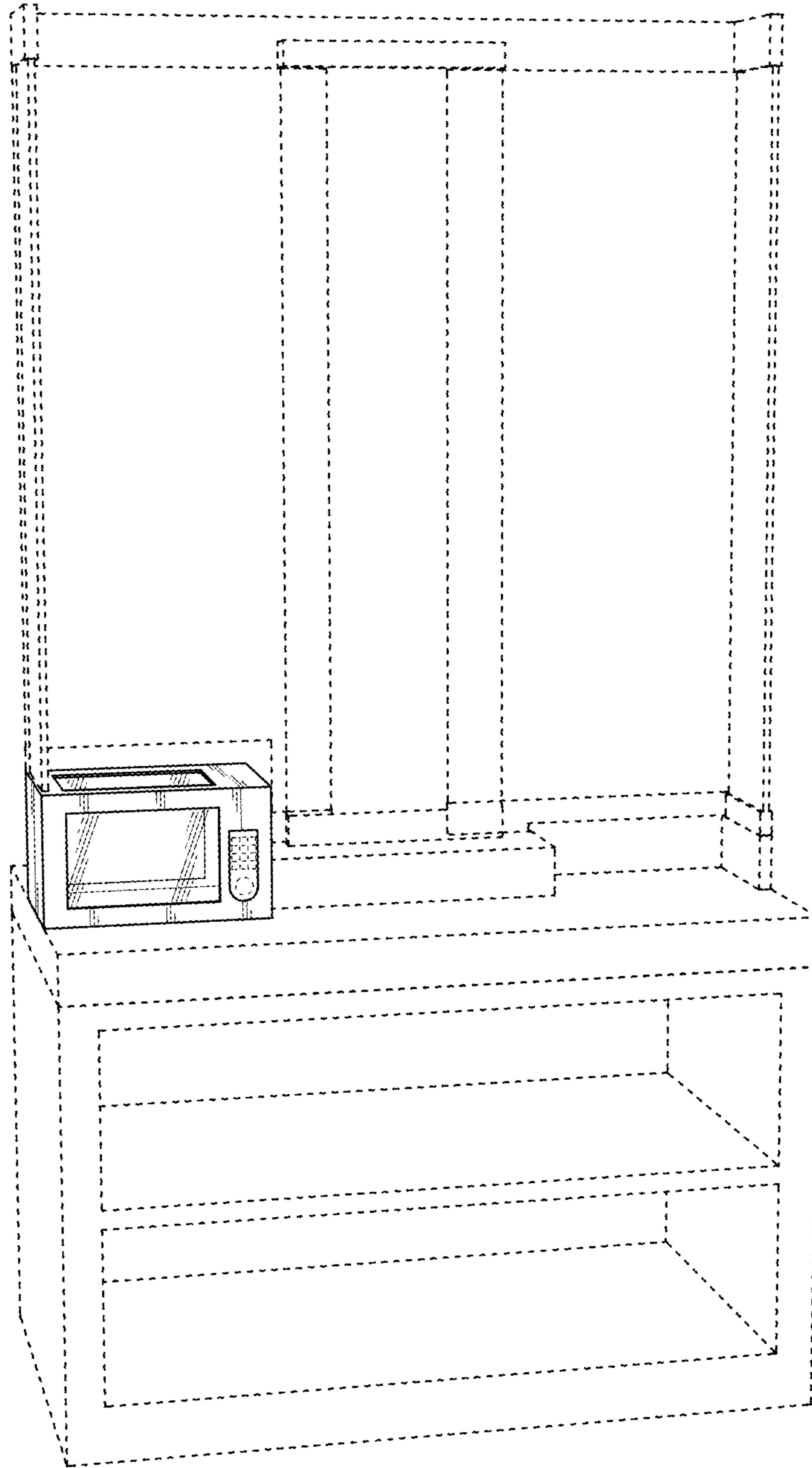


FIG. 1

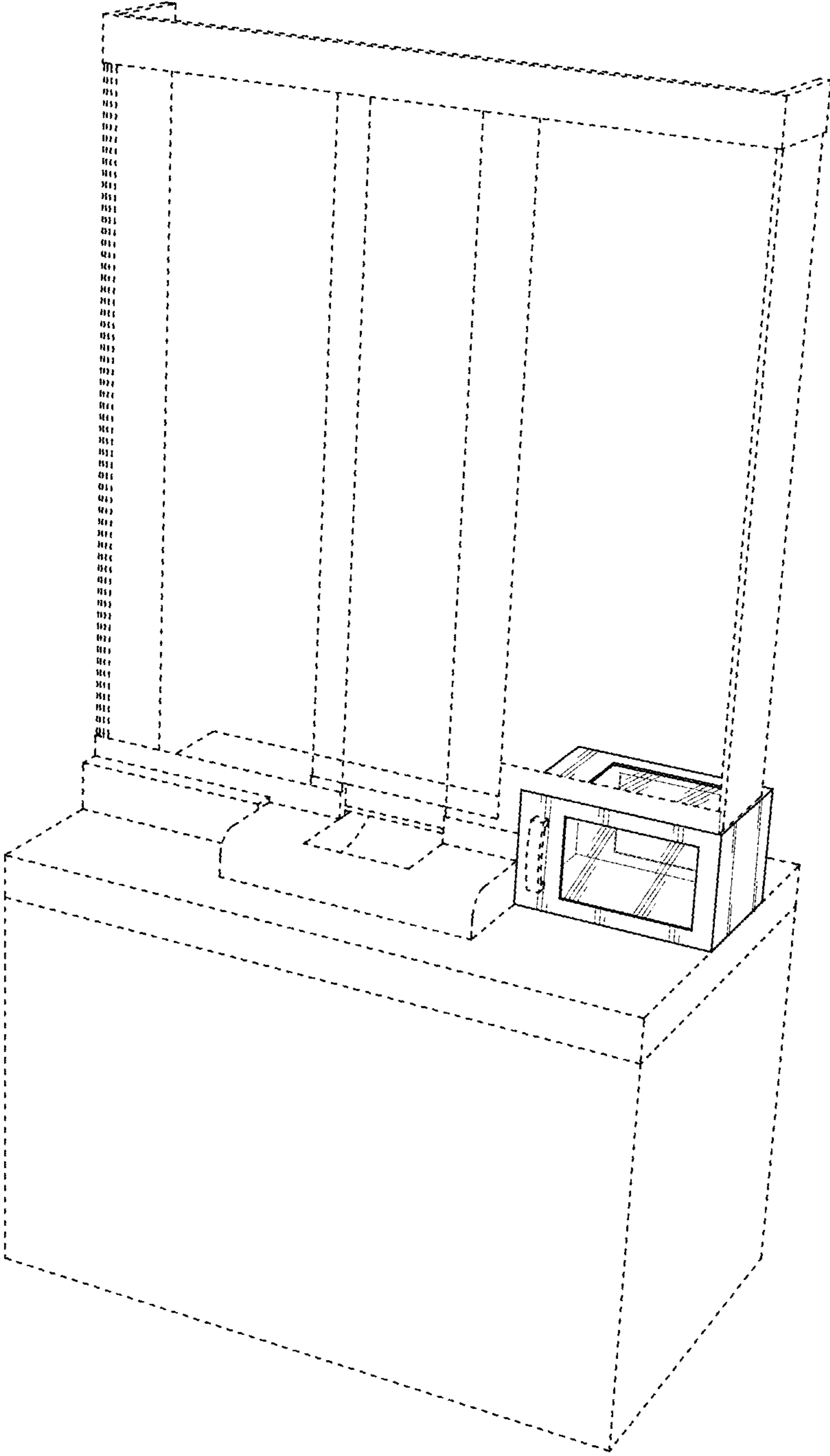


FIG. 2

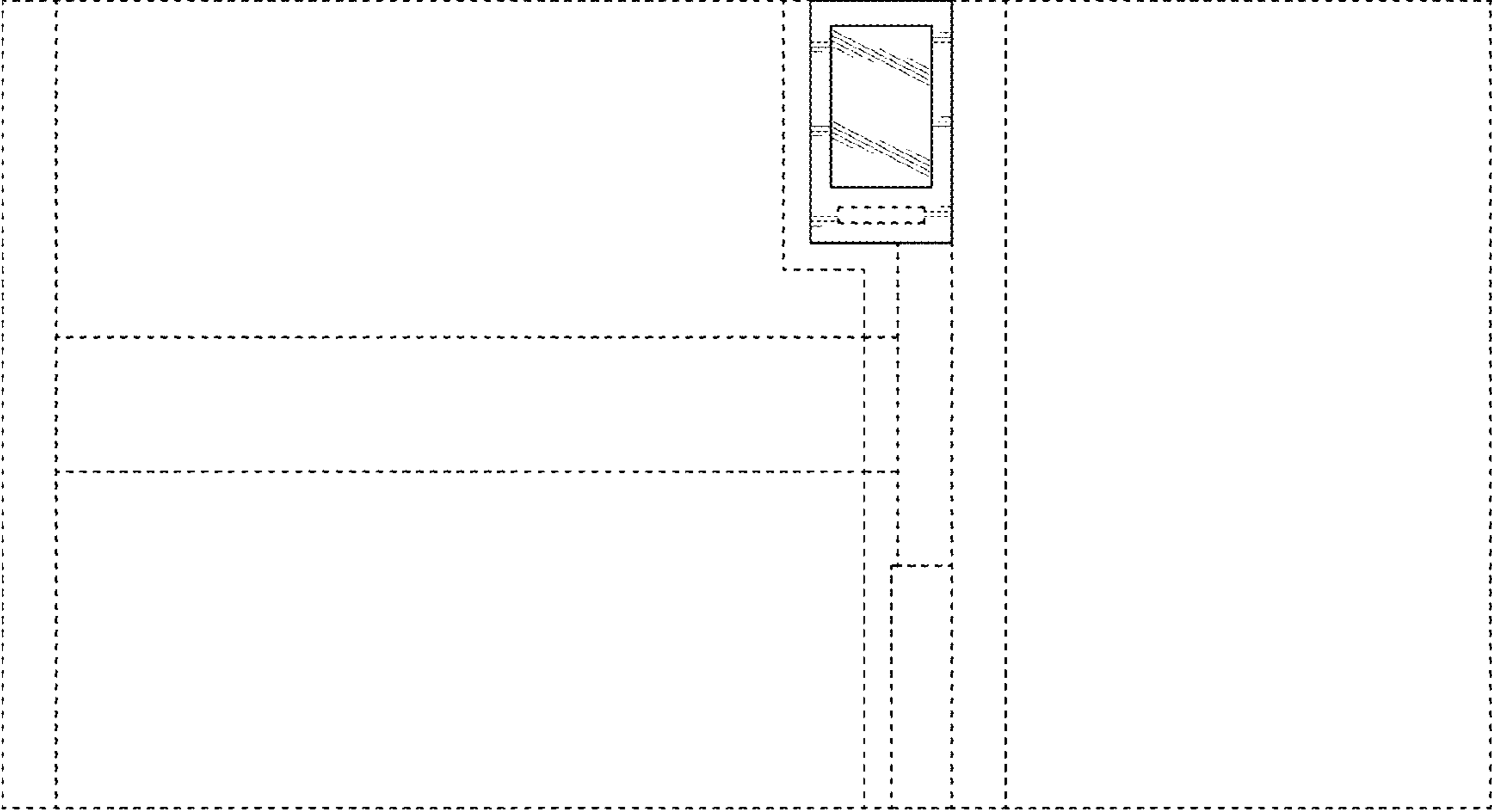


FIG. 4

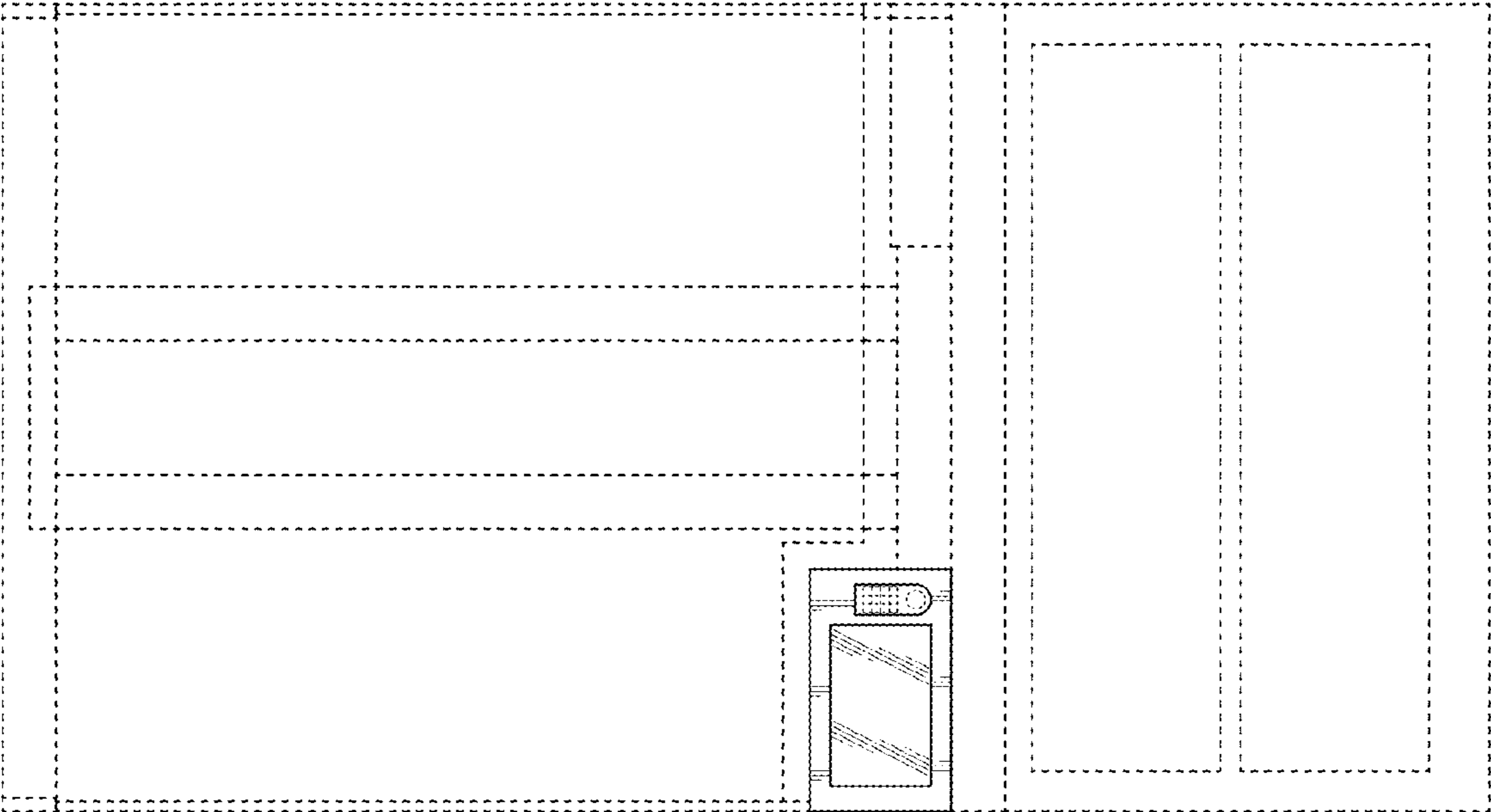


FIG. 3

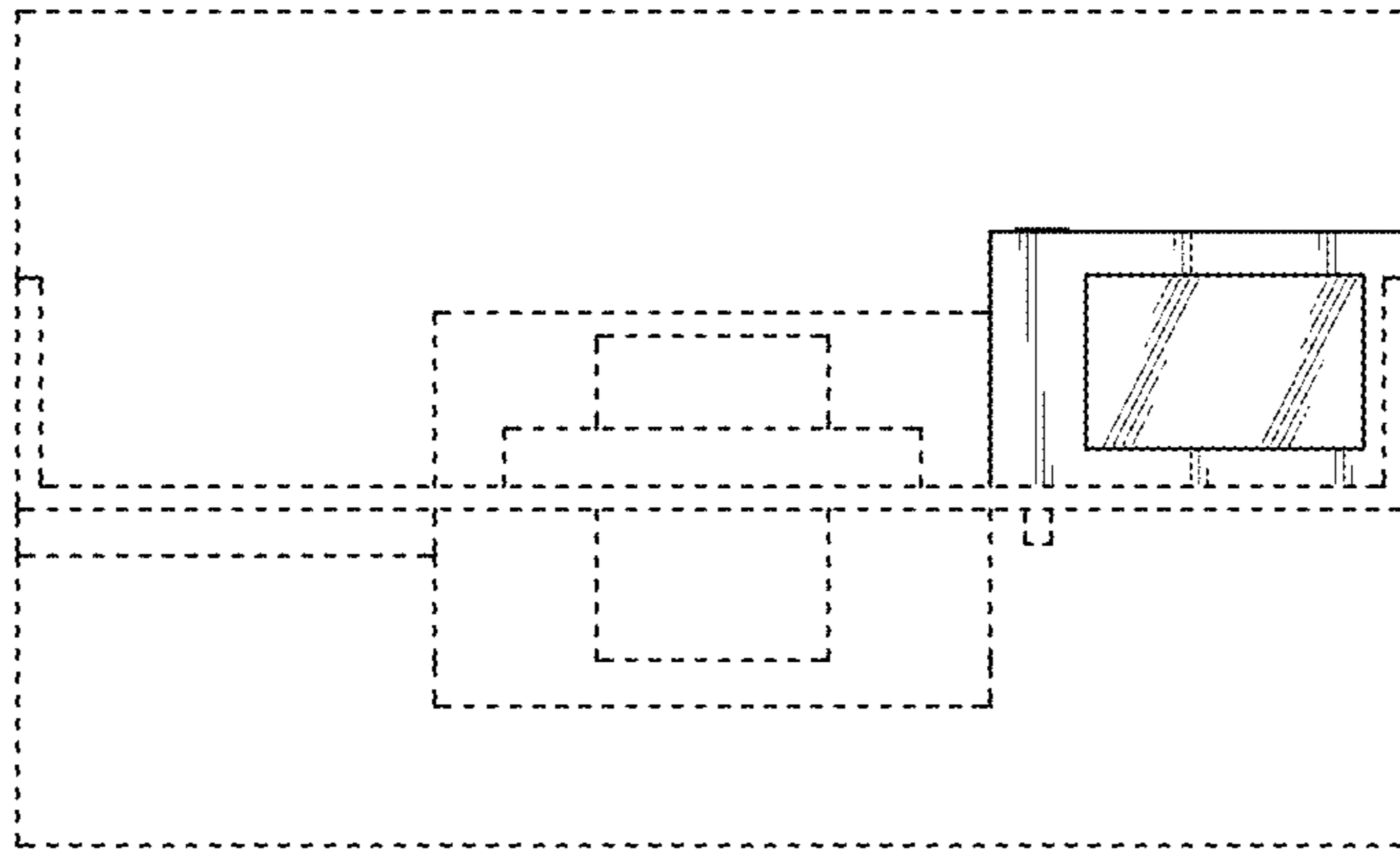


FIG. 5

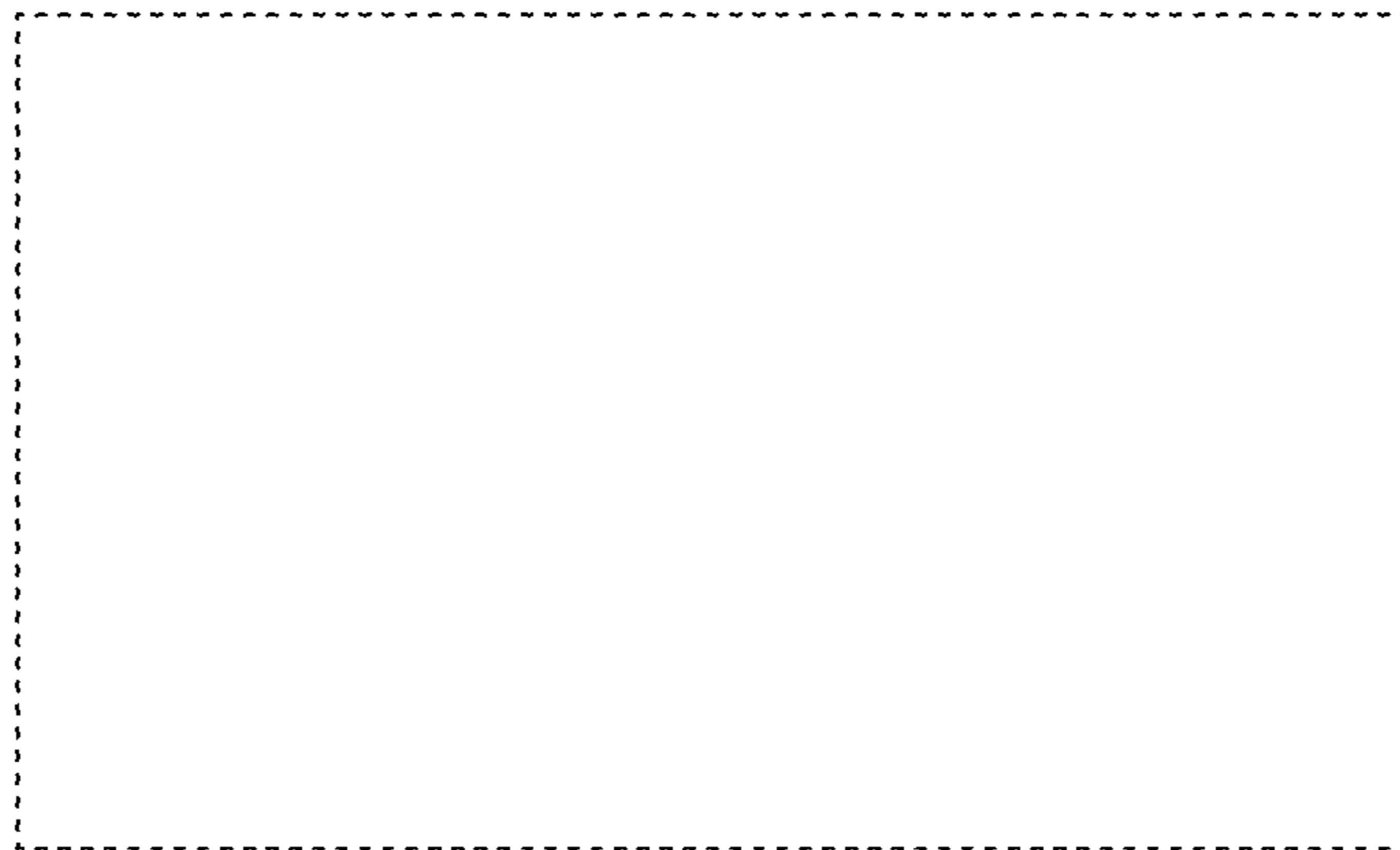


FIG. 6

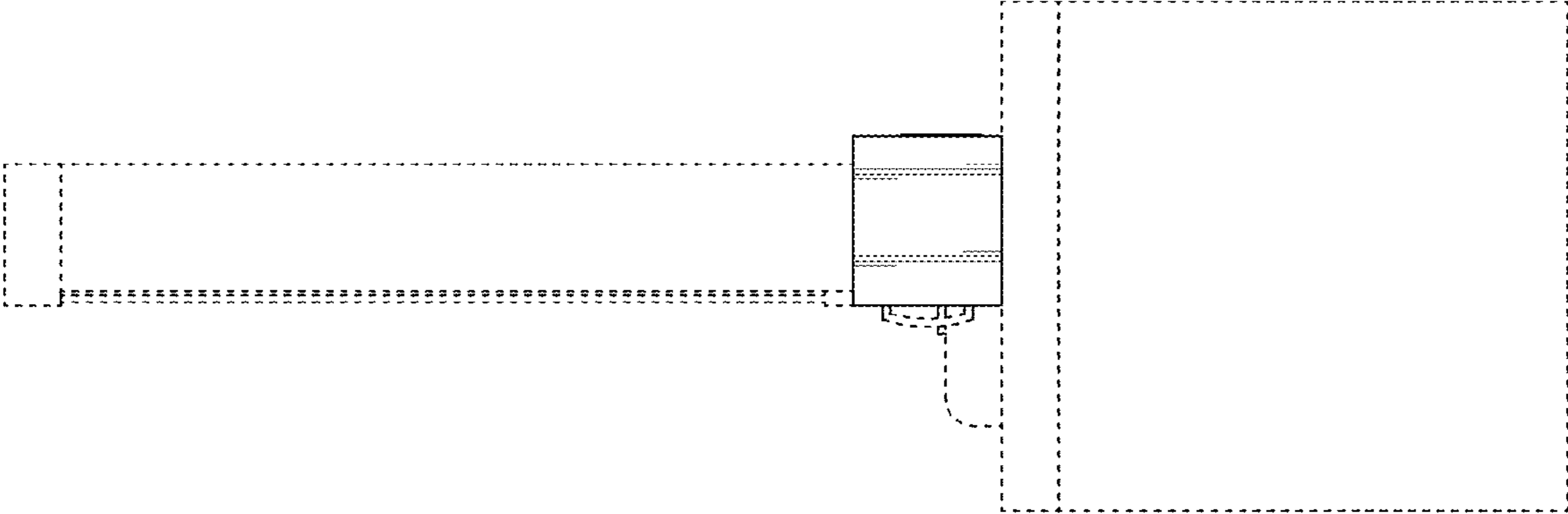


FIG. 8

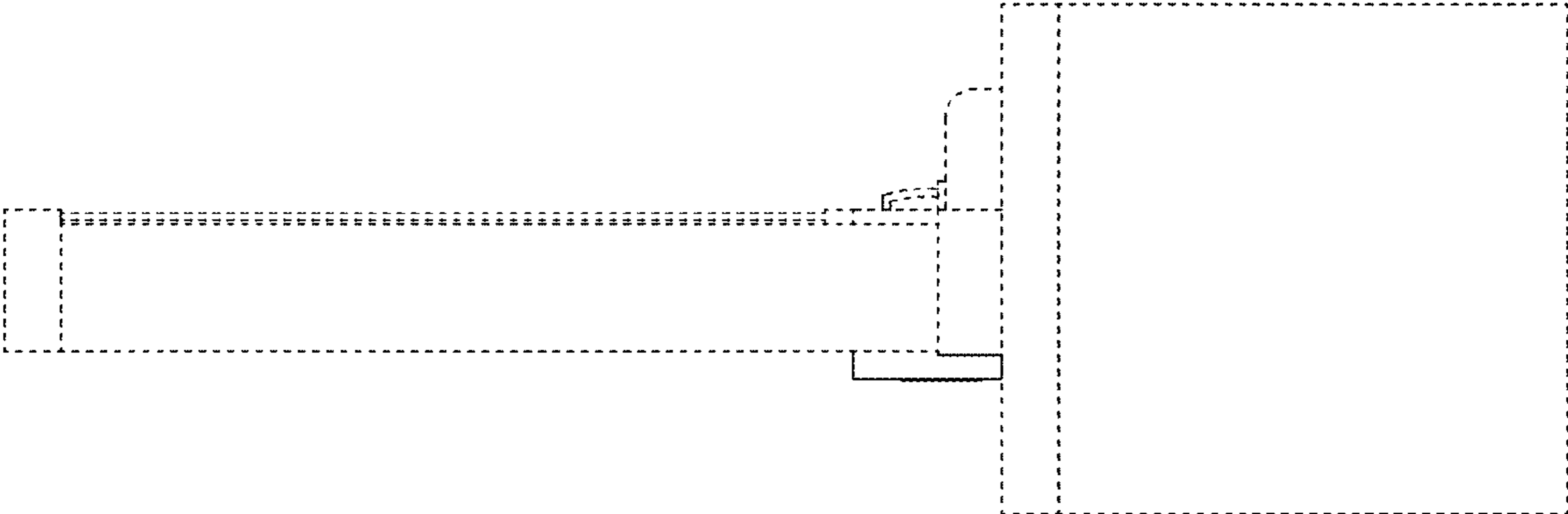


FIG. 7