



US00D980574S

(12) **United States Design Patent**  
**Zong et al.**

(10) **Patent No.:** **US D980,574 S**

(45) **Date of Patent:** **\*\* Mar. 7, 2023**

(54) **AERIAL LIFT**

(71) Applicant: **JIANGSU XCMG CONSTRUCTION MACHINERY RESEARCH INSTITUTE LTD.**, Jaingsu (CN)

(72) Inventors: **Xuemei Zong**, Xuzhou (CN); **Geng Xue**, Xuzhou (CN); **He Liu**, Xuzhou (CN); **Cuijun Jin**, Xuzhou (CN)

(73) Assignee: **JIANGSU XCMG CONSTRUCTION MACHINERY RESEARCH INSTITUTE LTD.**, Jiangsu (CN)

(\*\*) Term: **15 Years**

(21) Appl. No.: **29/744,281**

(22) Filed: **Jul. 28, 2020**

(51) **LOC (14) Cl.** ..... **12-05**

(52) **U.S. Cl.**  
USPC ..... **D34/28**

(58) **Field of Classification Search**  
USPC ..... D34/28, 34  
CPC ..... B66F 9/06; B66F 9/0655; B66F 11/046;  
B66F 11/044; B66F 17/006  
See application file for complete search history.

(56) **References Cited**

**U.S. PATENT DOCUMENTS**

D841,276 S \* 2/2019 Lehmann ..... D34/28  
11,091,358 B1 \* 8/2021 Ourada ..... B62D 33/063

2021/0002111 A1\* 1/2021 Rushton ..... B66F 17/003  
2021/0221450 A1\* 7/2021 Sobotka ..... B66F 11/044  
2021/0276848 A1\* 9/2021 Miller ..... B66F 17/006  
2022/0194765 A1\* 6/2022 Eckhardt ..... B66F 9/0655  
2022/0204332 A1\* 6/2022 Miller ..... B66F 9/07559  
2022/0227613 A1\* 7/2022 Boroni ..... G05B 15/02  
2022/0289544 A1\* 9/2022 Pan ..... B66F 17/006

\* cited by examiner

*Primary Examiner* — Cynthia Ramirez

(74) *Attorney, Agent, or Firm* — Myers Bigel, P.A.

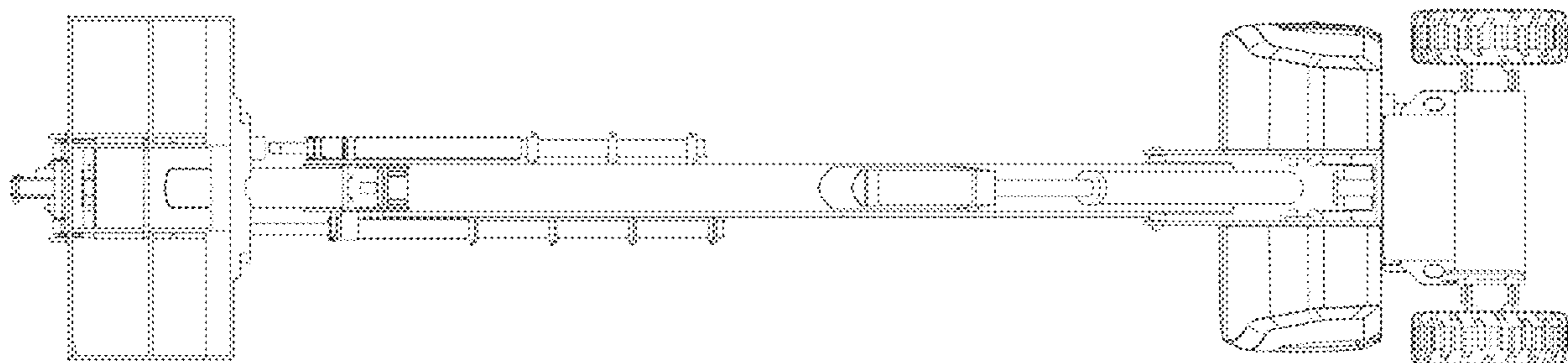
(57) **CLAIM**

The ornamental design for an aerial lift, as shown and described.

**DESCRIPTION**

FIG. 1 is a left side of an aerial lift showing our design thereof;  
FIG. 2 is a right side view;  
FIG. 3 is a top view;  
FIG. 4 is a bottom view;  
FIG. 5 is a front view;  
FIG. 6 is a rear view;  
FIG. 7 is a front perspective view; and,  
FIG. 8 is a back perspective view thereof.

**1 Claim, 8 Drawing Sheets**



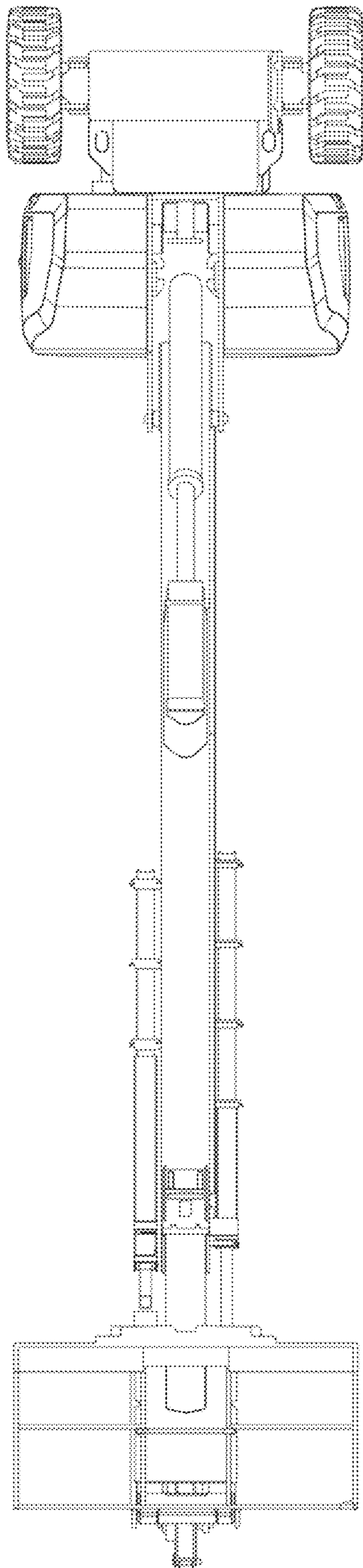


FIG. 1

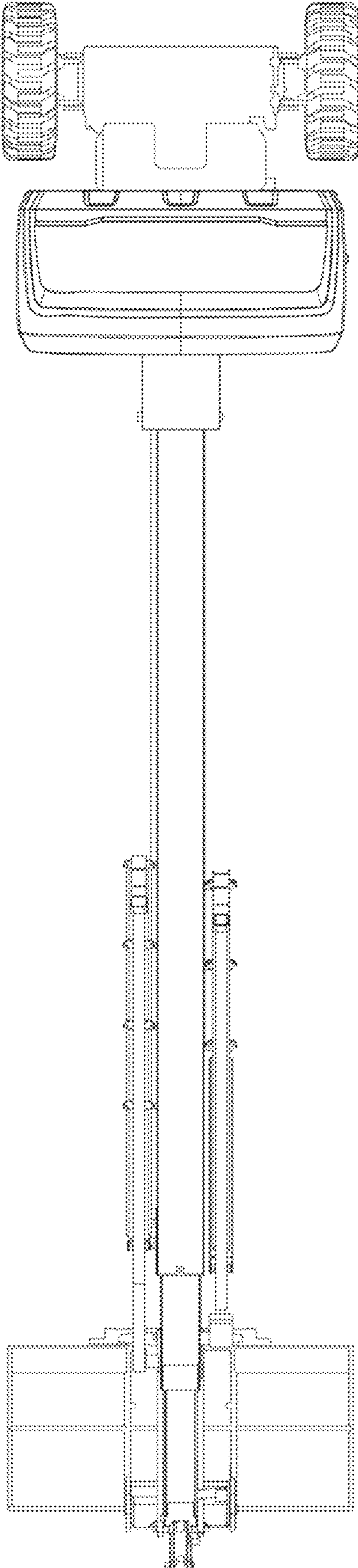


FIG. 2

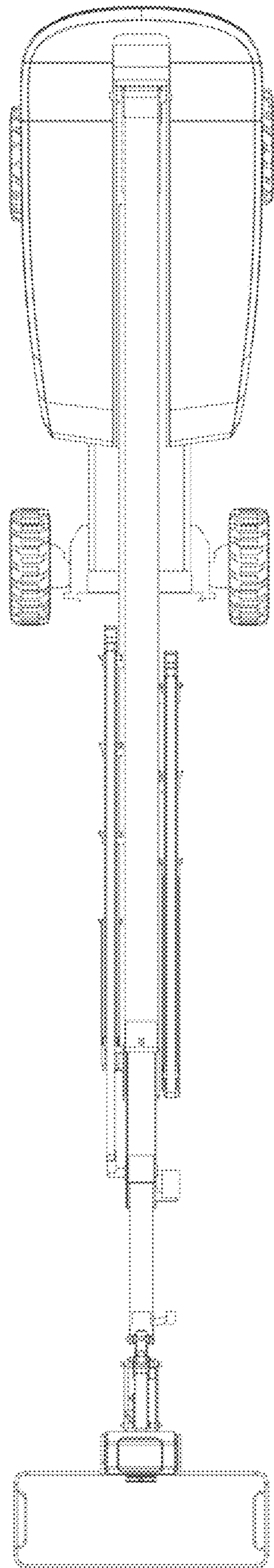


FIG. 3

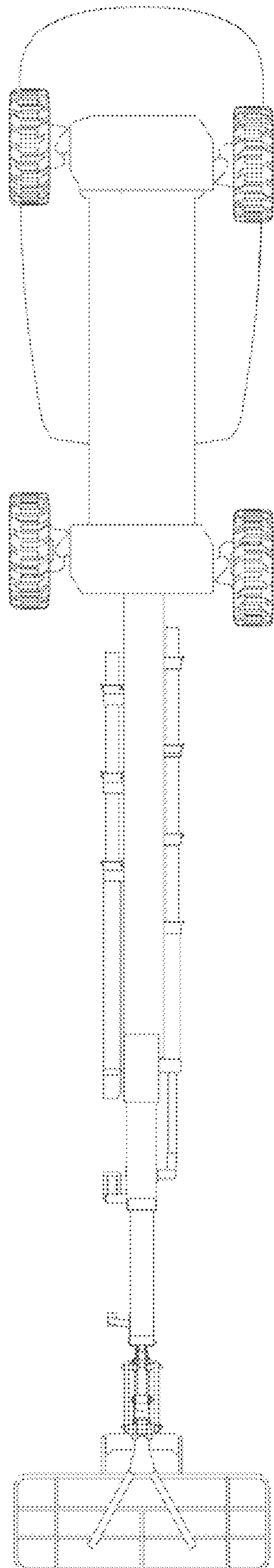


FIG. 4

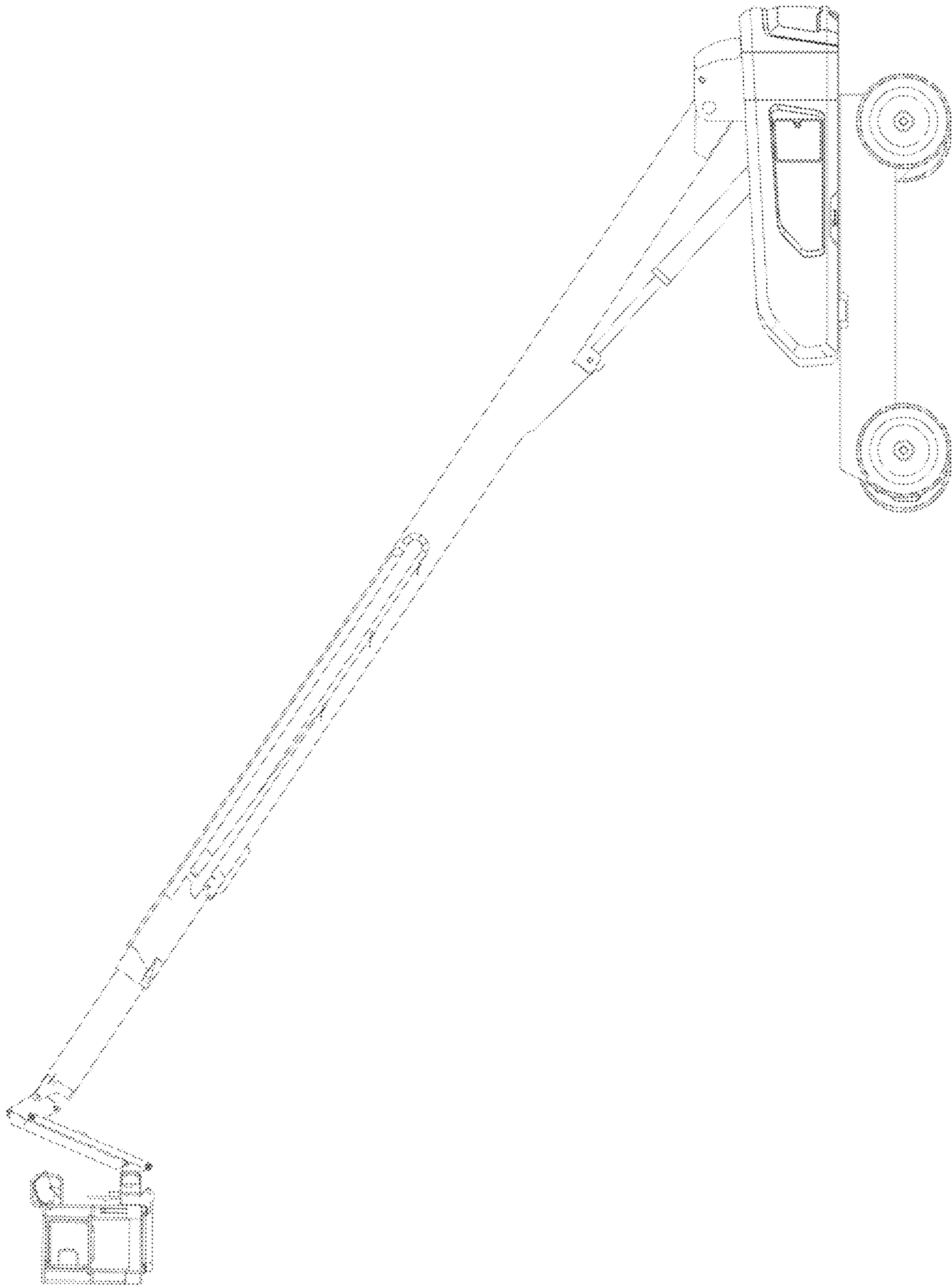


FIG. 5

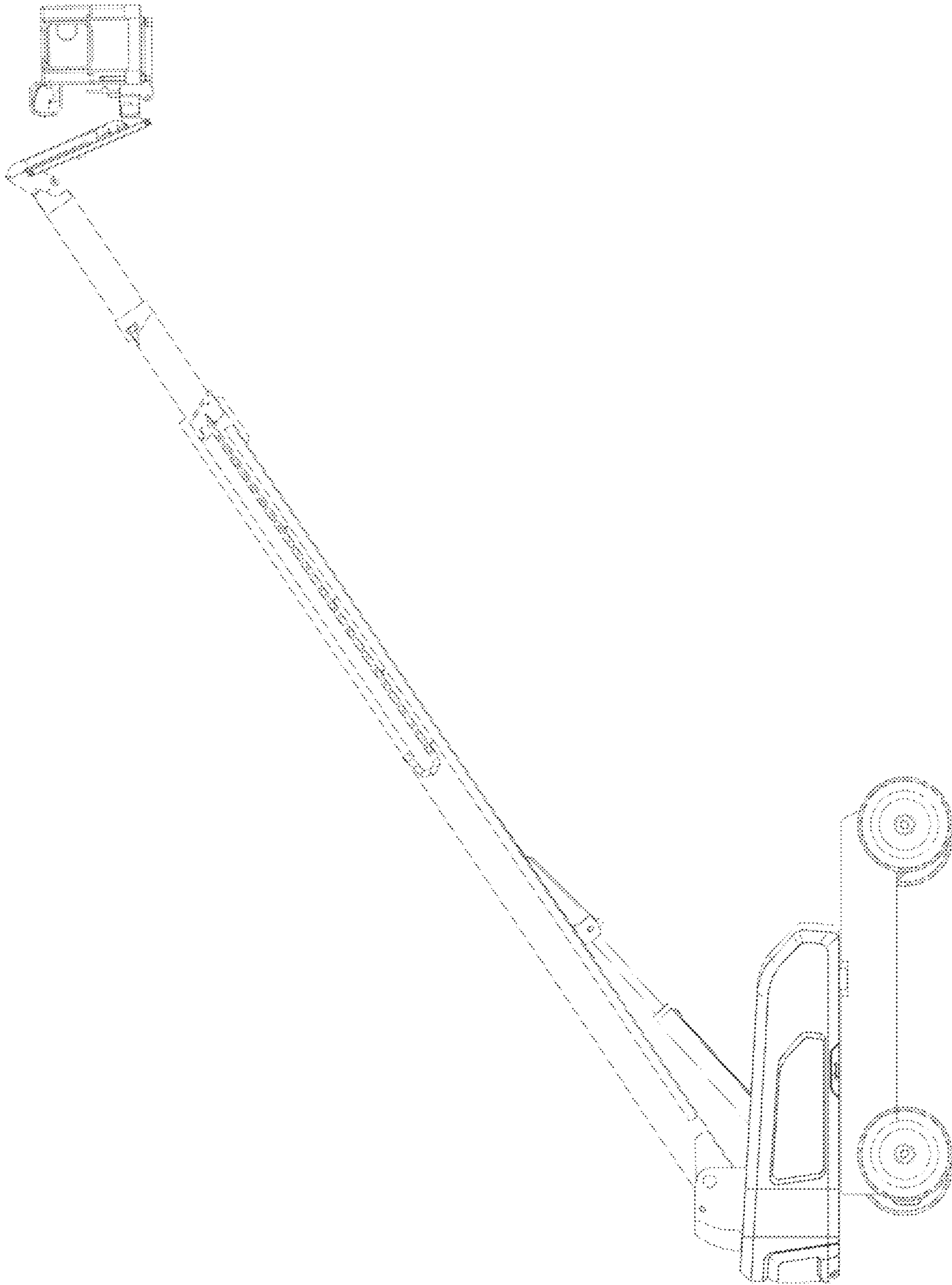


FIG. 6

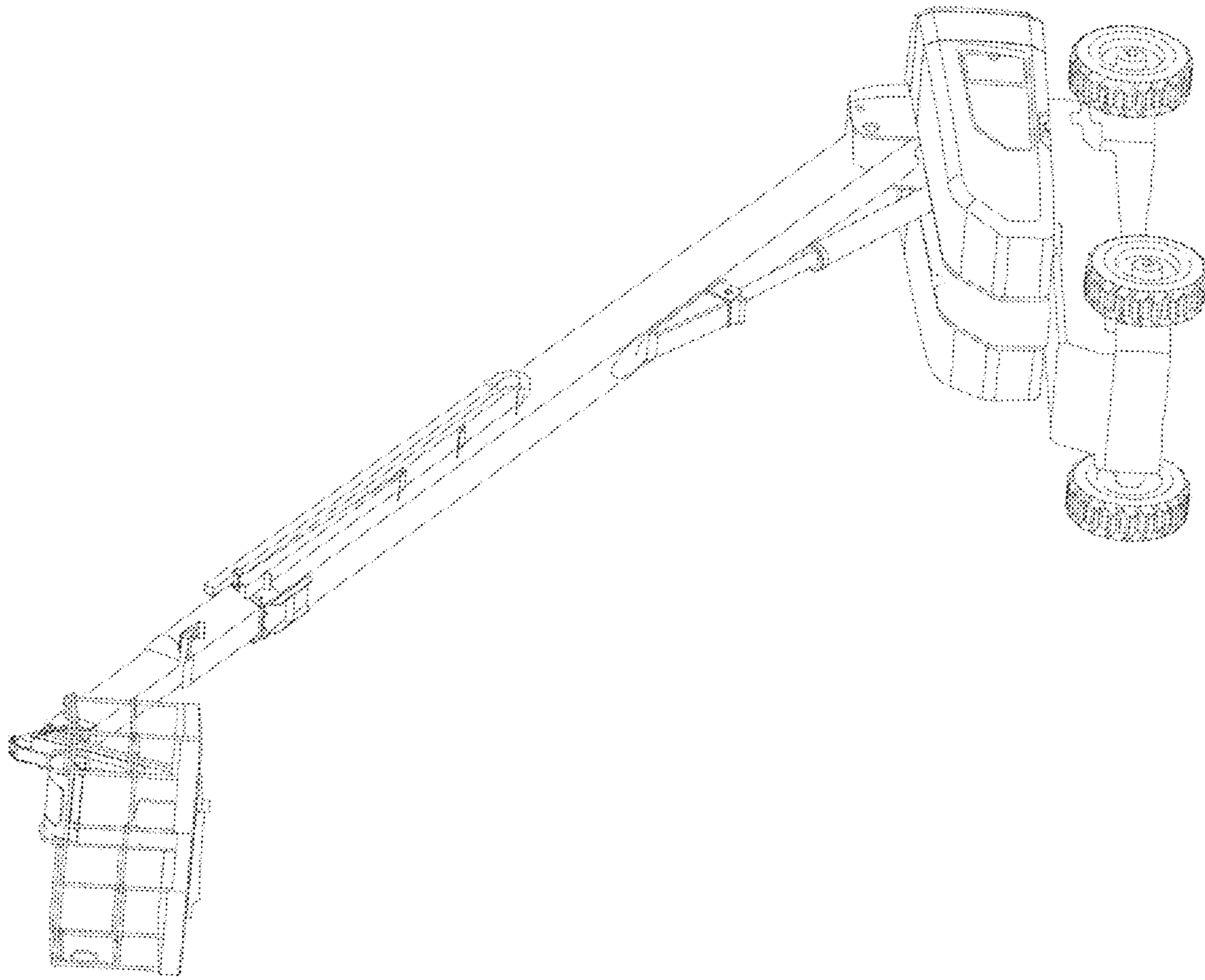


FIG. 7



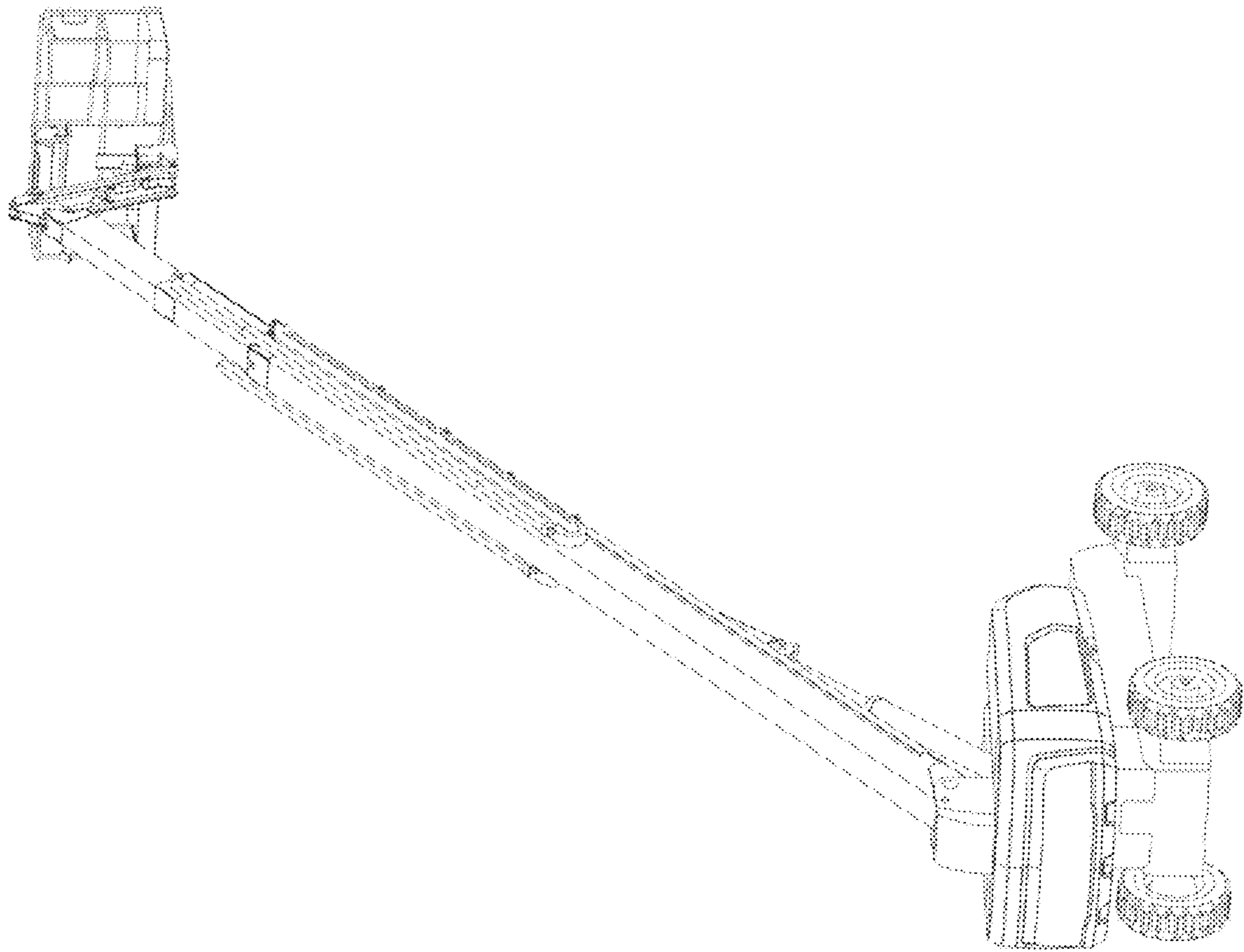


FIG. 8