



US00D980573S

(12) **United States Design Patent**
Zheng

(10) **Patent No.:** **US D980,573 S**
(45) **Date of Patent:** **** Mar. 7, 2023**

- (54) **DEBRIS CONTAINER**
- (71) Applicant: **Liping Zheng**, Shenzhen (CN)
- (72) Inventor: **Liping Zheng**, Shenzhen (CN)
- (**) Term: **15 Years**
- (21) Appl. No.: **29/851,918**
- (22) Filed: **Sep. 1, 2022**

Related U.S. Application Data

- (63) Continuation-in-part of application No. 29/831,221, filed on Mar. 18, 2022, now Pat. No. Des. 965,244.
- (51) **LOC (14) Cl.** **09-09**
- (52) **U.S. Cl.**
USPC **D34/7**
- (58) **Field of Classification Search**
USPC D34/1-11; D32/25, 31; D15/122
CPC B65F 1/1607; B65F 1/068; B65F 1/06;
B65F 1/062; B65F 2230/134; B65F
2200/12; B65F 2250/114; D06F 39/14;
D06F 37/28
See application file for complete search history.

(56) **References Cited**

U.S. PATENT DOCUMENTS

- D647,270 S * 10/2011 Madsen D34/1
- D770,701 S * 11/2016 Park D32/6
- D773,759 S * 12/2016 Yun D32/25

- D827,958 S * 9/2018 Lee D32/25
- D836,263 S * 12/2018 Bixby D32/6
- D890,231 S 7/2020 Suchman et al.
- D902,512 S * 11/2020 Yoon D32/25
- D960,211 S 8/2022 Suchman et al.
- D965,244 S * 9/2022 Zheng D34/7
- 2019/0112746 A1 * 4/2019 Chi D06F 39/14

* cited by examiner

Primary Examiner — Cynthia Ramirez
Assistant Examiner — Tamara L Hahn
(74) *Attorney, Agent, or Firm* — Daniel M. Cohn;
Howard M. Cohn

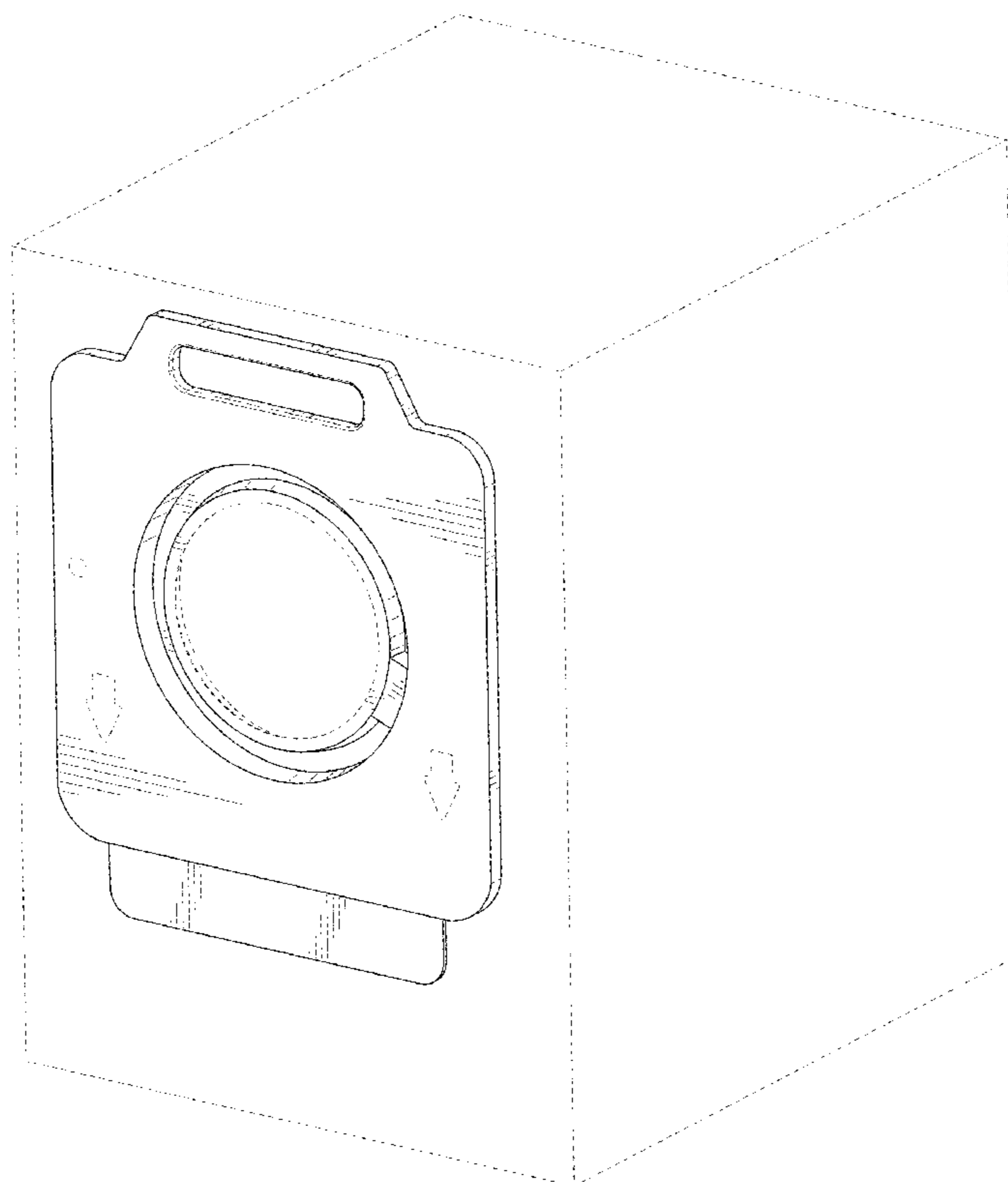
(57) **CLAIM**

The ornamental design for a debris container, as shown and described.

DESCRIPTION

FIG. 1 is a perspective view of a debris container showing my new design; FIG. 2 is another perspective view thereof; FIG. 3 is a front elevational view thereof; FIG. 4 is a rear elevational view thereof; FIG. 5 is a left side elevational view thereof; FIG. 6 is a right side elevational view thereof; FIG. 7 is a top plan view thereof; and, FIG. 8 is a bottom plan view thereof. The dash-dash broken lines in the drawings depict portions of the debris container that form no part of the claimed design.

1 Claim, 8 Drawing Sheets



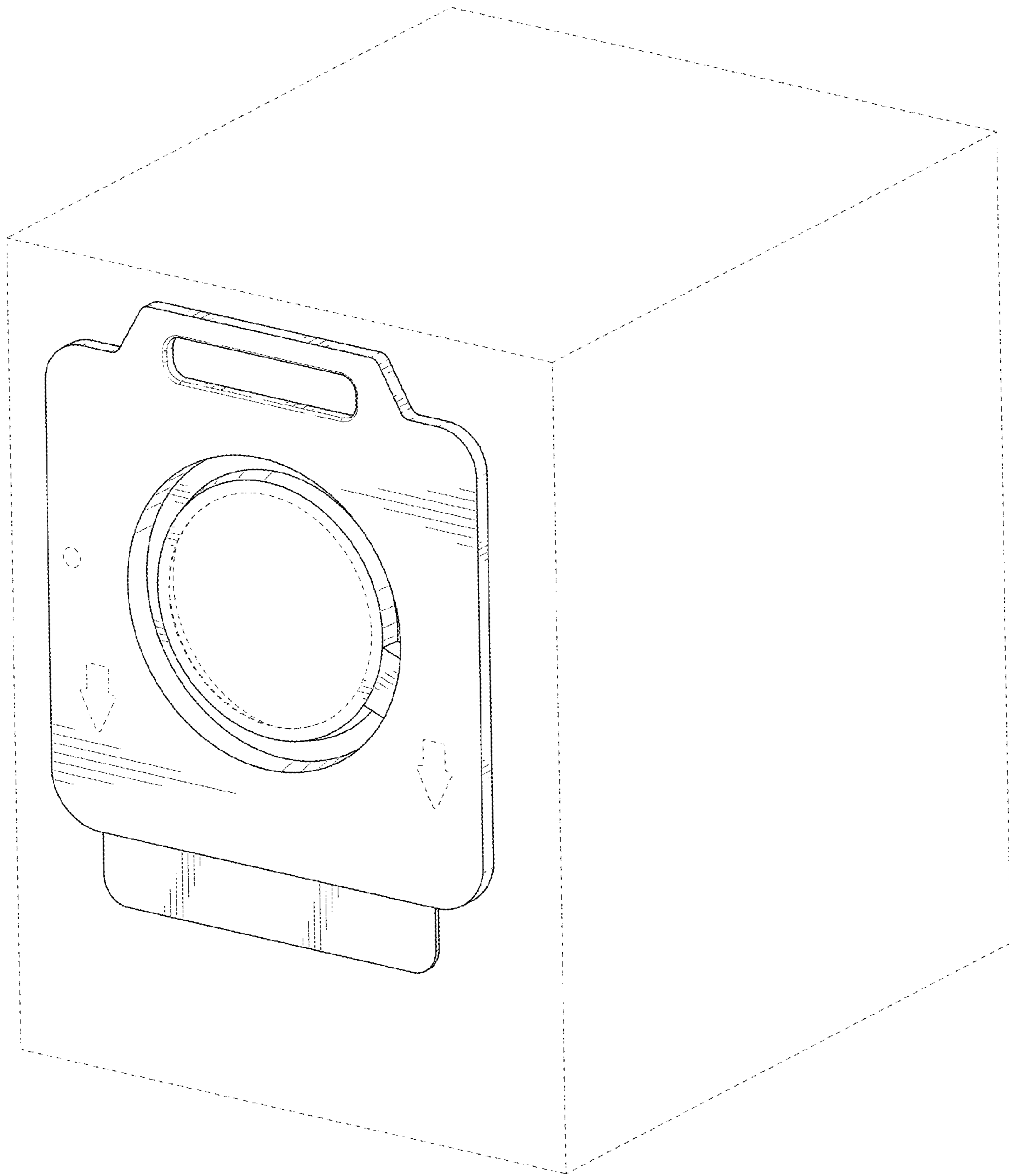


FIG. 1

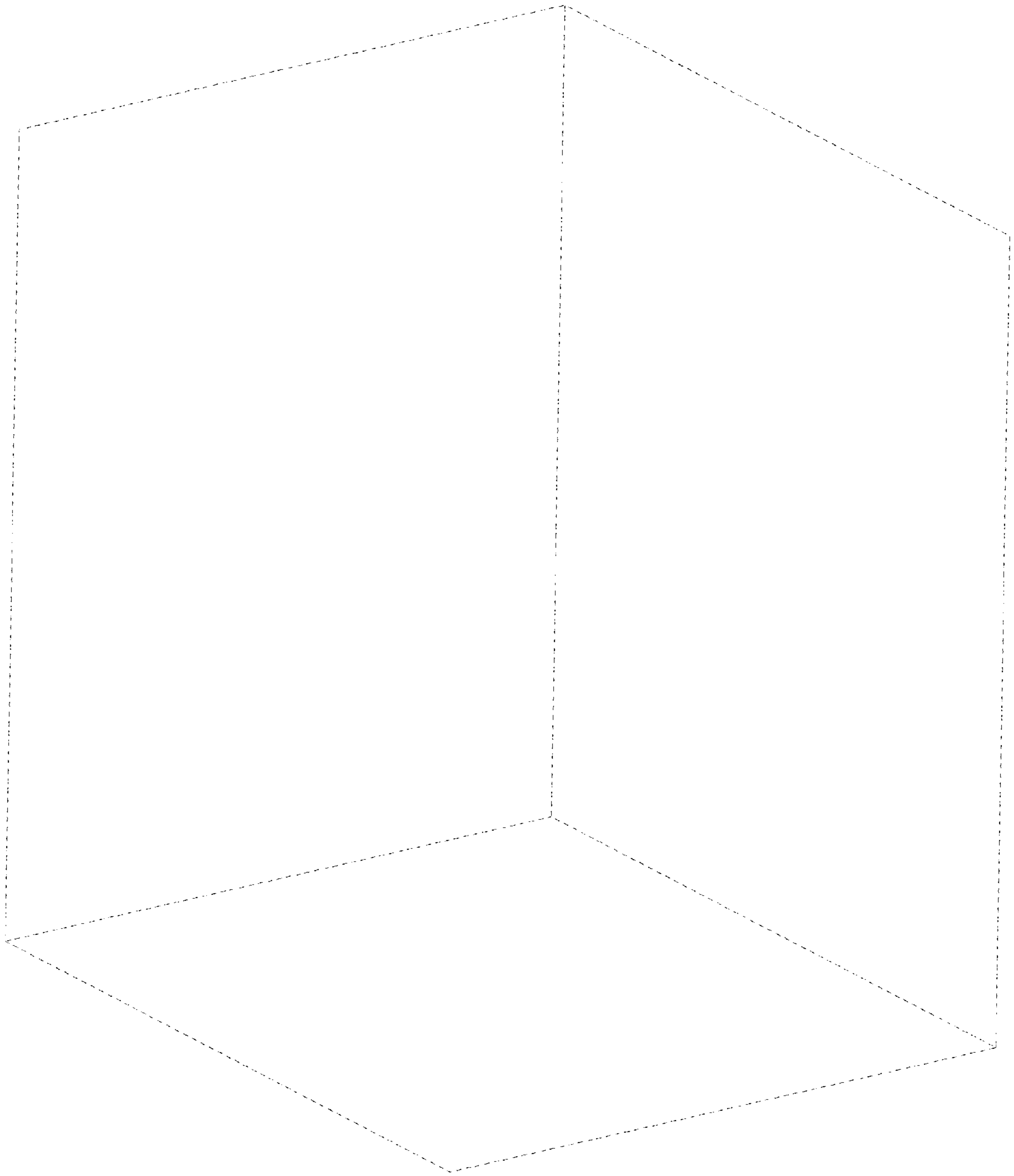


FIG. 2

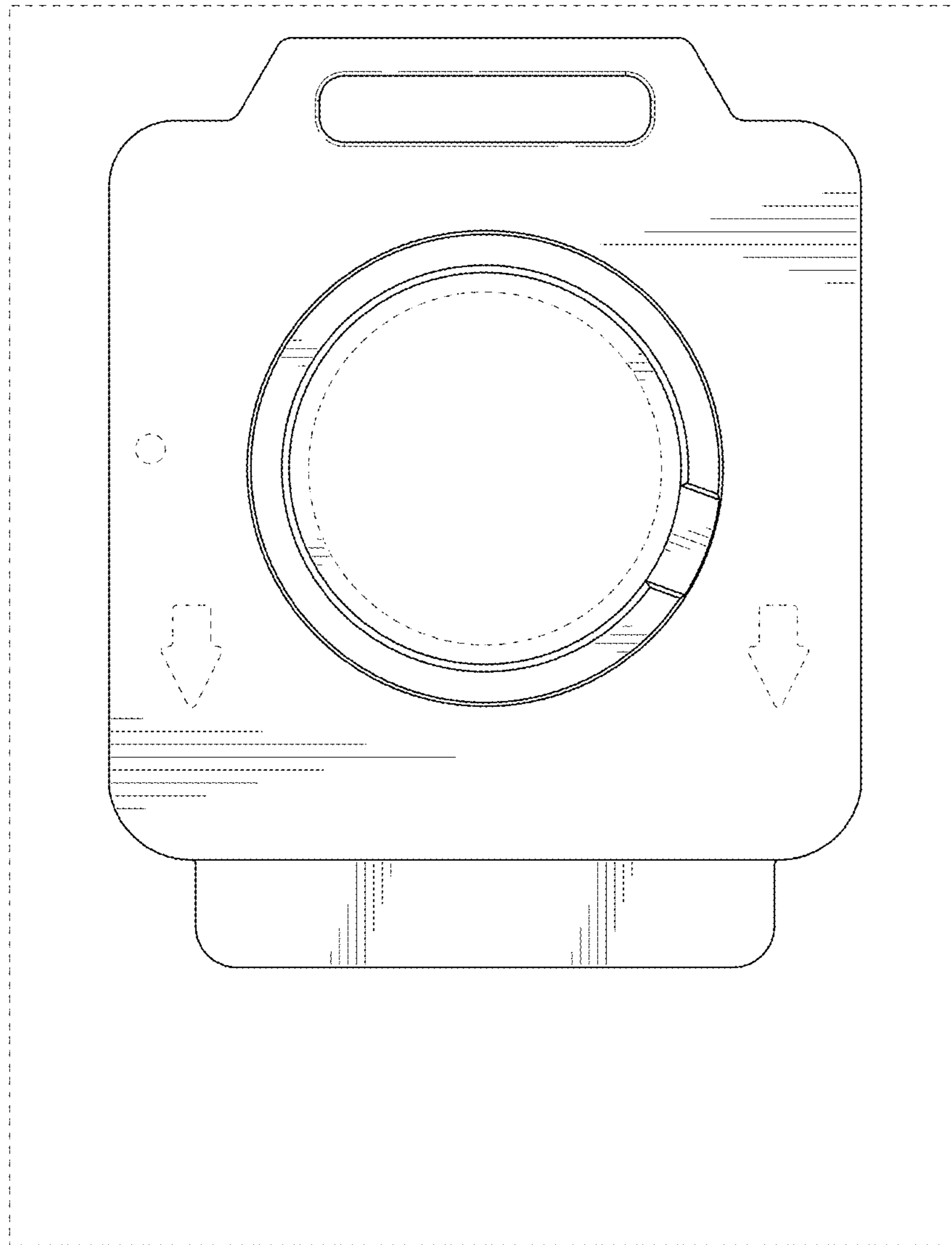


FIG. 3



FIG. 4

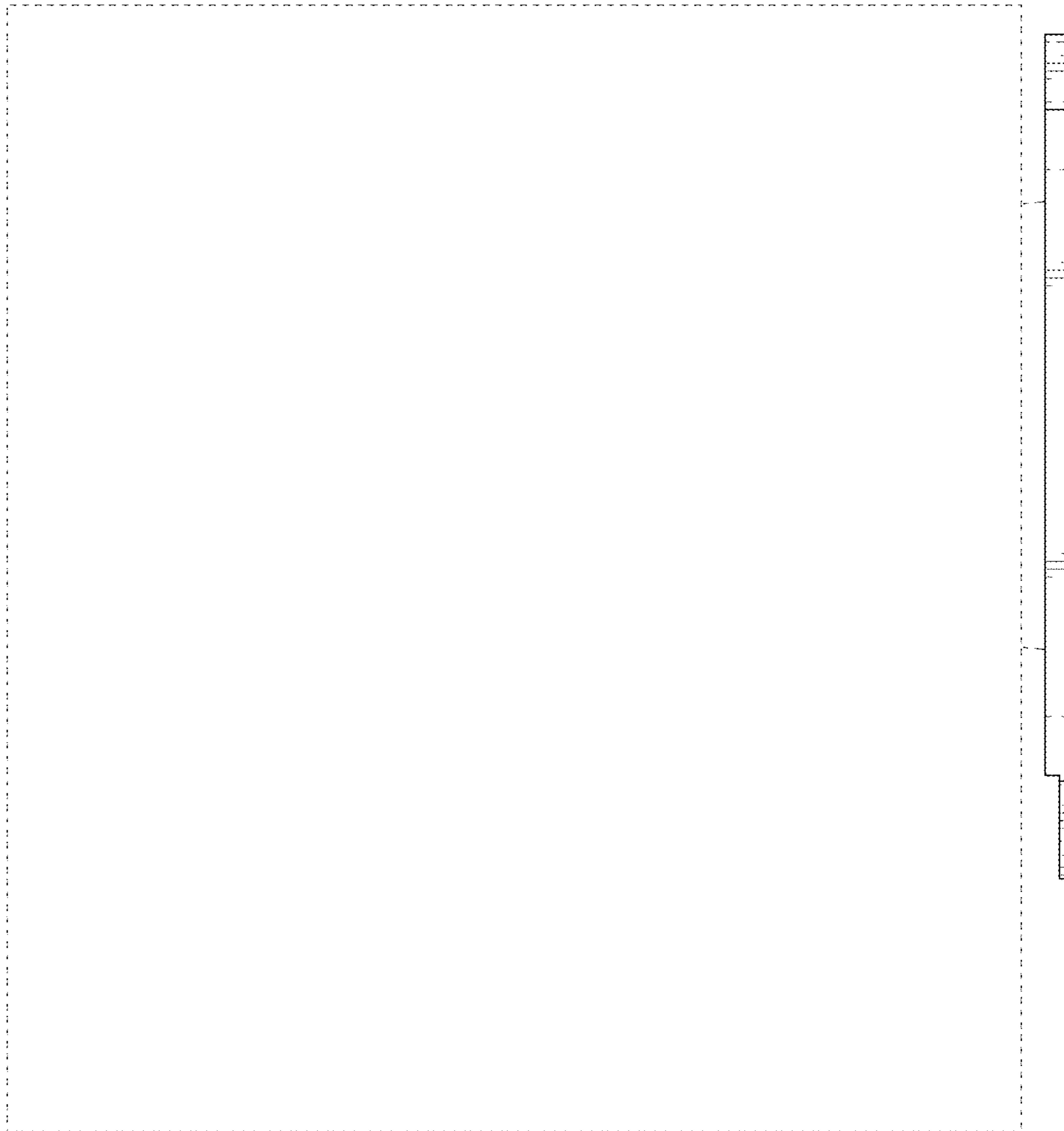


FIG. 5



FIG. 6



FIG. 7



FIG. 8