



US00D980572S

(12) **United States Design Patent**
Freeman

(10) **Patent No.:** **US D980,572 S**
(45) **Date of Patent:** **** Mar. 7, 2023**

(54) **CONTAINER FOR IRONING BOARDS**

(71) Applicant: **Duden V. Freeman**, Roswell, GA (US)

(72) Inventor: **Duden V. Freeman**, Roswell, GA (US)

(73) Assignee: **IP Assets LLC**, Alpharetta, GA (US)

(**) Term: **15 Years**

(21) Appl. No.: **29/814,489**

(22) Filed: **Nov. 5, 2021**

(51) **LOC (14) Cl.** **07-05**

(52) **U.S. Cl.**
USPC **D32/66; D32/35; D7/602**

(58) **Field of Classification Search**
USPC D32/1, 25, 31, 35, 66, 53, 53.1; D3/304,
D3/310, 313, 318-319; D6/512; D7/357,
D7/555, 602; D9/432, 456, 737;
D15/90; D21/526
CPC D06F 81/00; D06F 81/02; D06F 81/06;
D06F 79/02

See application file for complete search history.

(56) **References Cited**

U.S. PATENT DOCUMENTS

D163,600	S	*	6/1951	Hebert	D32/73
2,666,999	A		1/1954	Brandt		
4,154,010	A		5/1979	Evans		
D293,842	S	*	1/1988	Titi	D32/73
D306,365	S		2/1990	Brown et al.		
D326,487	S	*	5/1992	Monneret	D32/66
5,142,802	A		9/1992	Krause		
D367,172	S	*	2/1996	Brightbill	D7/553.3
5,572,811	A		11/1996	Lehrman		
D414,007	S		9/1999	Hernandez		
D514,766	S	*	2/2006	Manfiotto	D32/66
D537,633	S	*	3/2007	Marnell, II	D3/313
D546,012	S	*	7/2007	Casteel	D32/53
D546,516	S	*	7/2007	Henderson	D32/66

D557,047	S	*	12/2007	Dretzka	D3/304
D633,341	S	*	3/2011	Smyers	D9/425
D645,708	S	*	9/2011	Stamper	D7/602
8,250,789	B1	*	8/2012	Oliver	D06F 81/02 38/135

(Continued)

FOREIGN PATENT DOCUMENTS

CN 304575822 * 4/2018

OTHER PUBLICATIONS

Brabantia Ironing Board C available in Amazon.com, date first available Aug. 25, 2014 [online], [site visited Nov. 28, 2022], Available from the internet URL: https://www.amazon.ca/dp/B00BOMDKS2/ref=sspa_dk_detail_4 (Year: 2014).*

Primary Examiner — Jennifer Rivard
Assistant Examiner — Jennylou M Binas
(74) *Attorney, Agent, or Firm* — Barry Choobin; Patent 360

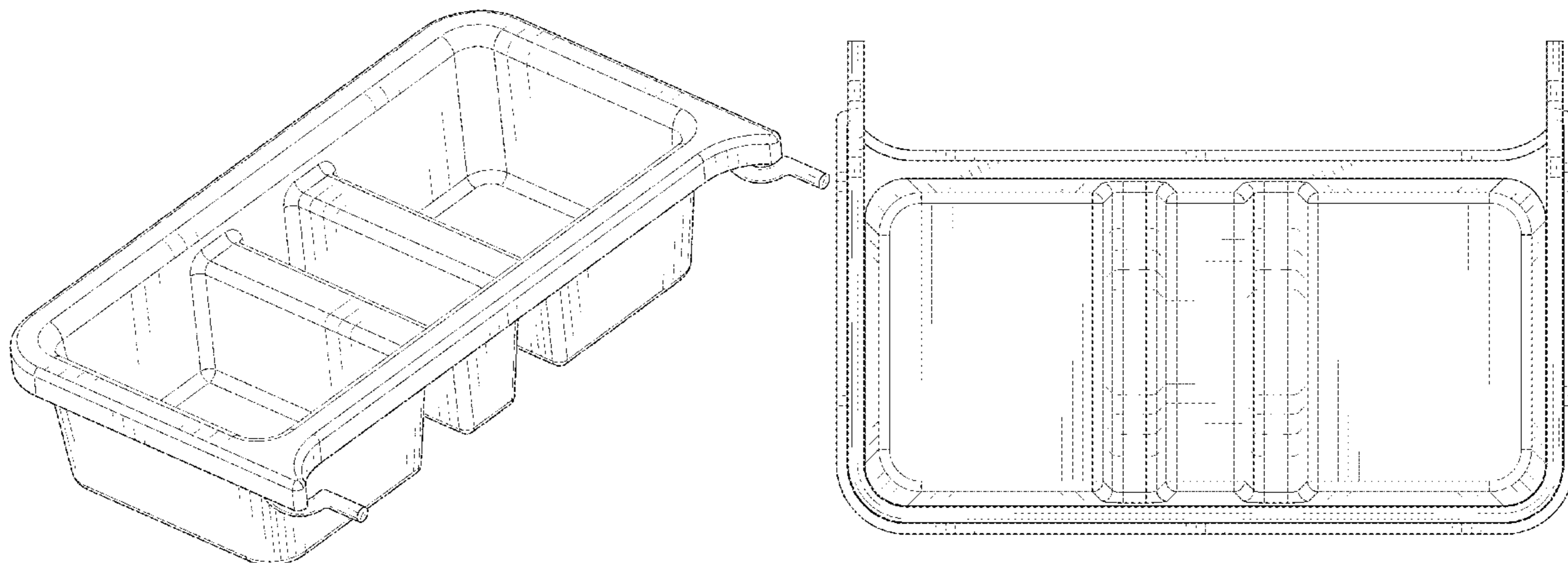
(57) **CLAIM**

The ornamental design for a container for ironing boards, as shown and described.

DESCRIPTION

FIG. 1 is a perspective view of a container for ironing boards, showing my new design;
FIG. 2 is a front view thereof;
FIG. 3 is a rear view thereof;
FIG. 4 is a right side view thereof;
FIG. 5 is a left side view thereof;
FIG. 6 is a top view thereof;
FIG. 7 is a bottom view thereof; and,
FIG. 8 is another image of FIG. 6 showing the state of use. The broken line showing of ironing board is for the purpose of illustrating environmental structure of the container for ironing boards and forms no part of the claimed design.

1 Claim, 8 Drawing Sheets



(56)

References Cited

U.S. PATENT DOCUMENTS

D704,912	S	5/2014	Gameiro	
D913,045	S *	3/2021	Samartgis	D7/602
D922,129	S *	6/2021	Li	D7/354
D937,522	S *	11/2021	Bae	D32/66
D939,170	S *	12/2021	Park	D32/66
D962,008	S *	8/2022	Moore	D7/602
11,473,235	B1 *	10/2022	Freeman	D06F 81/02
2012/0060397	A1 *	3/2012	Danzyger	D06F 81/003 38/107

* cited by examiner

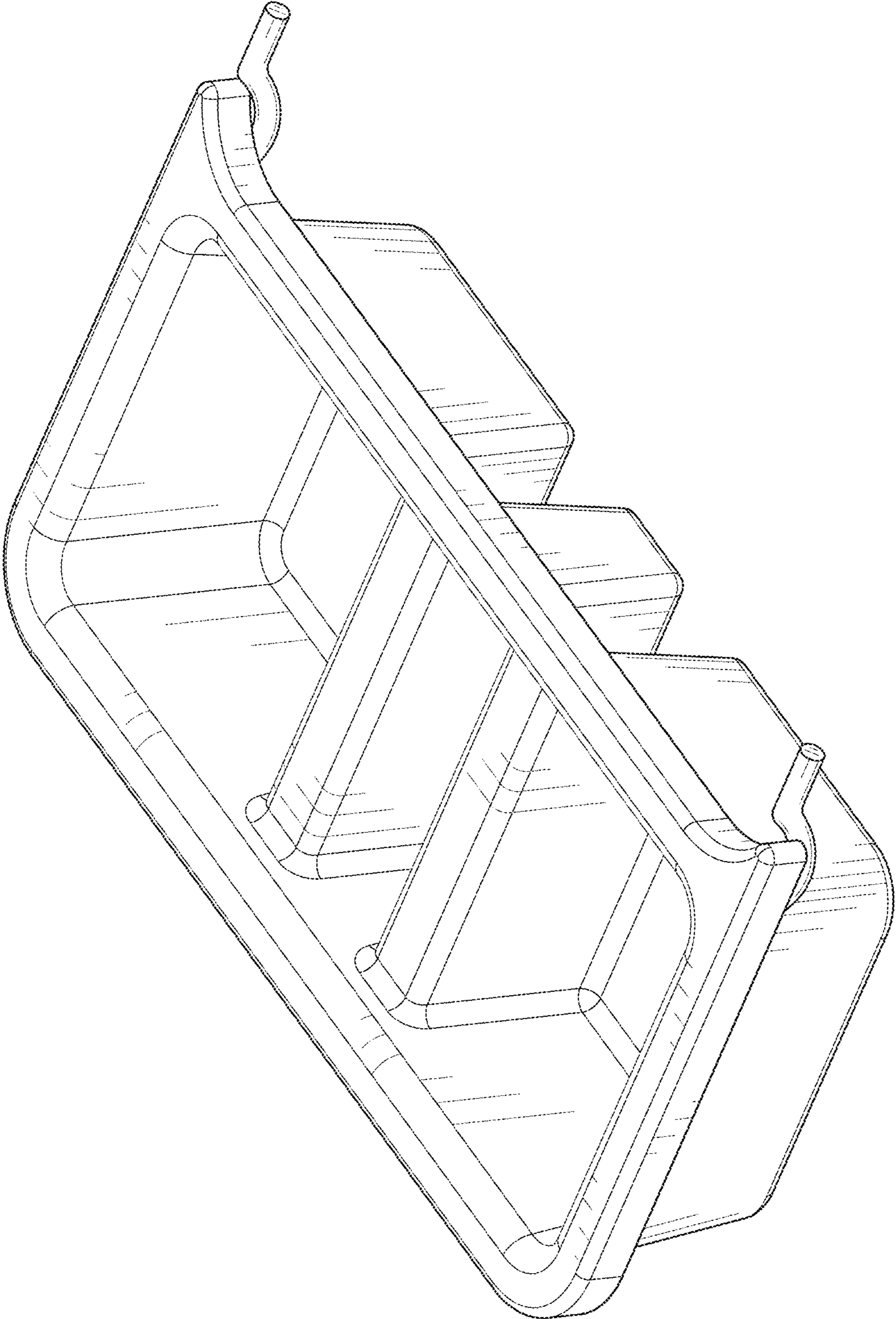


FIG. 1

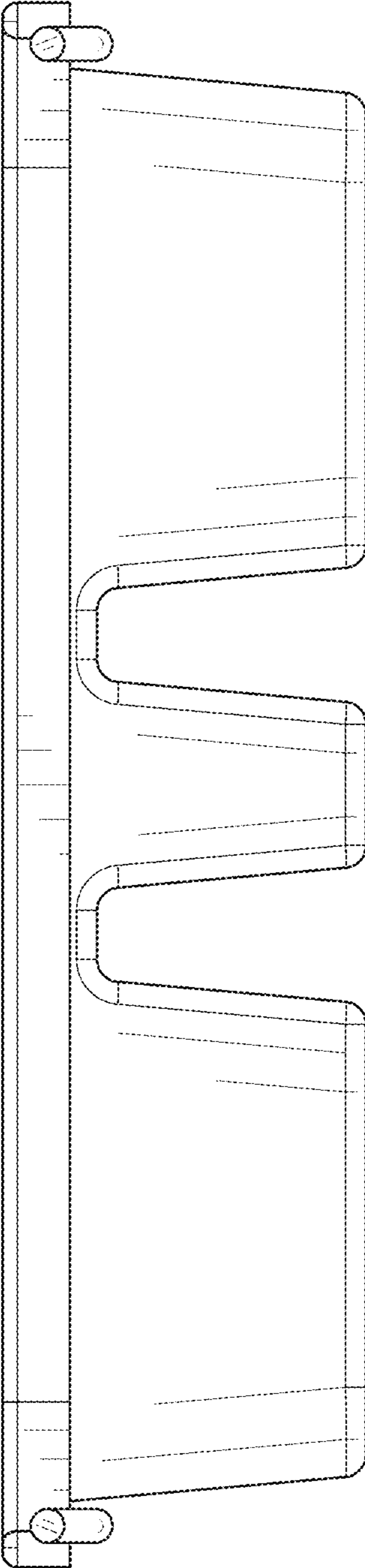


FIG. 2

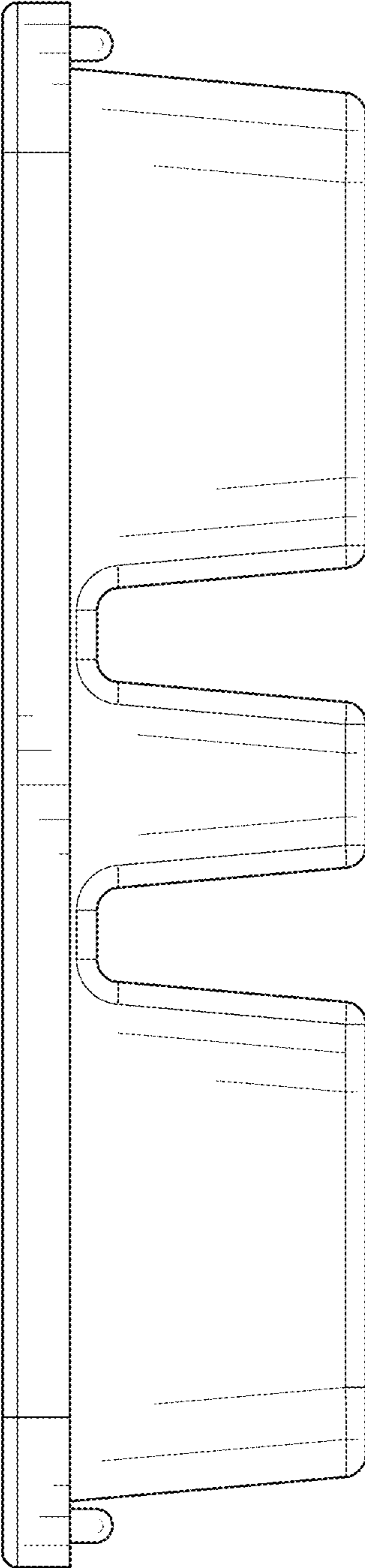


FIG. 3

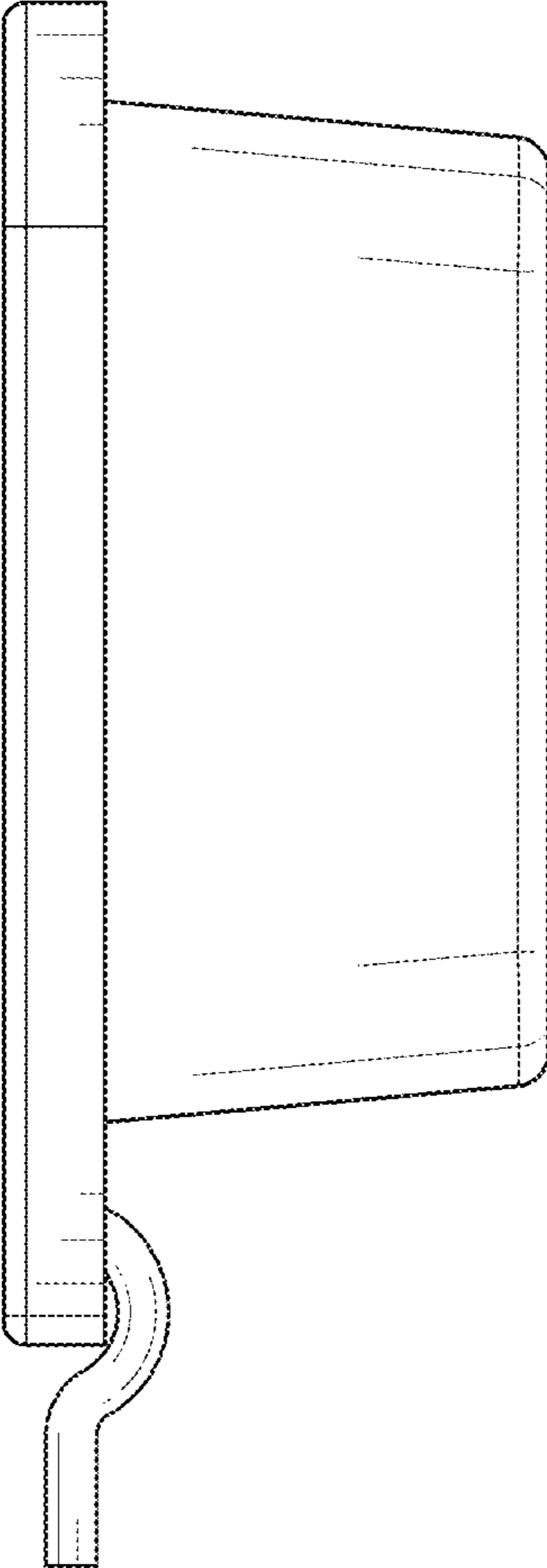


FIG. 4

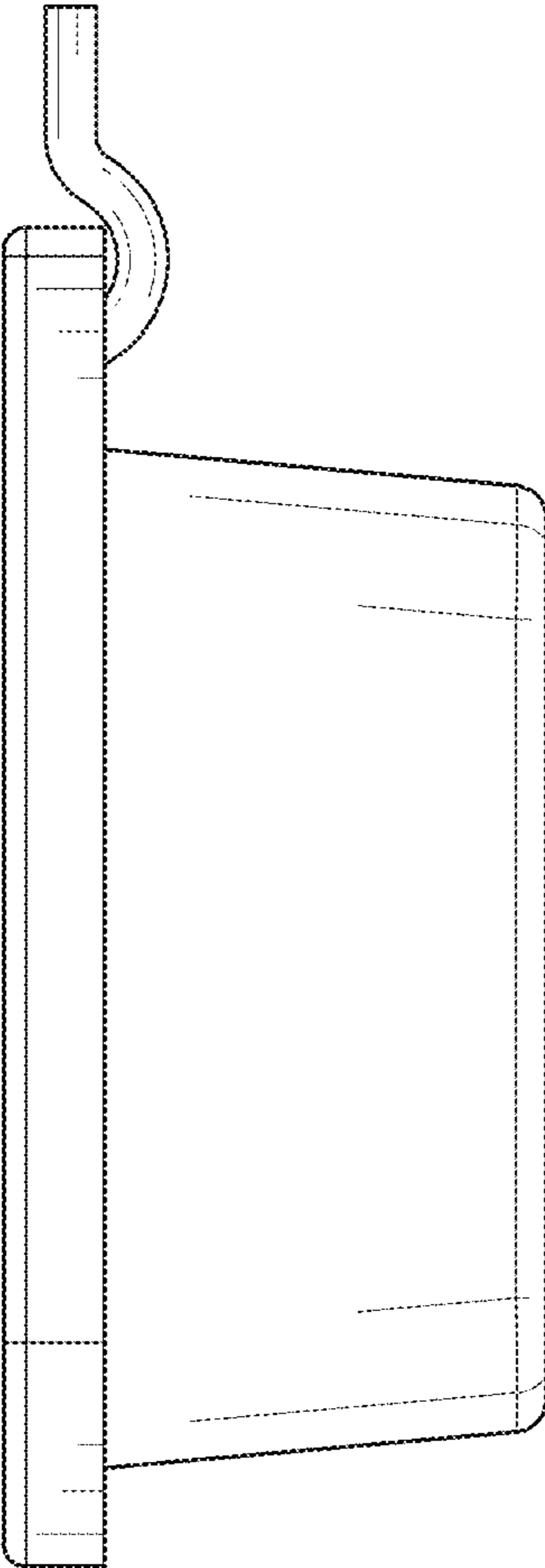


FIG. 5

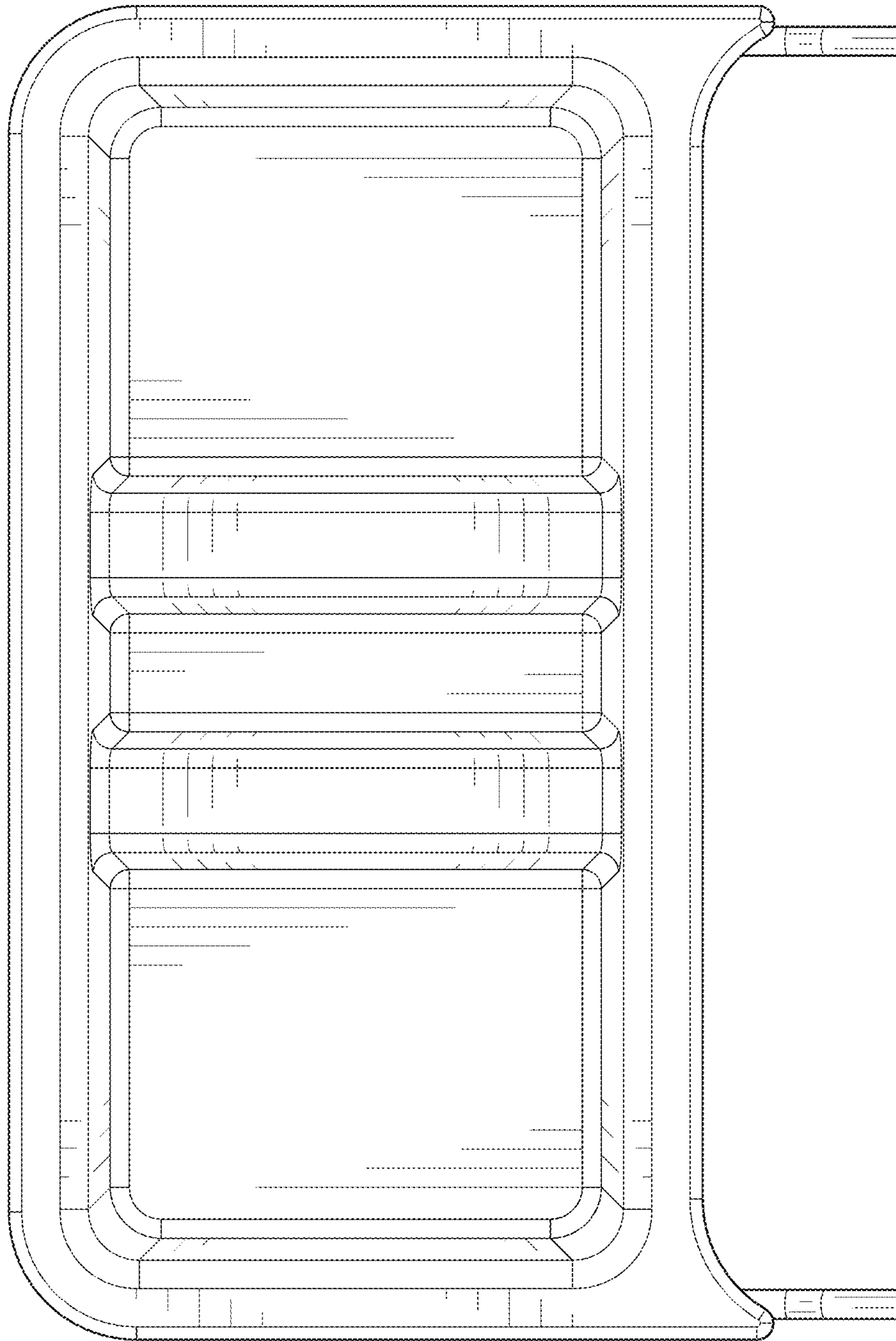


FIG. 6

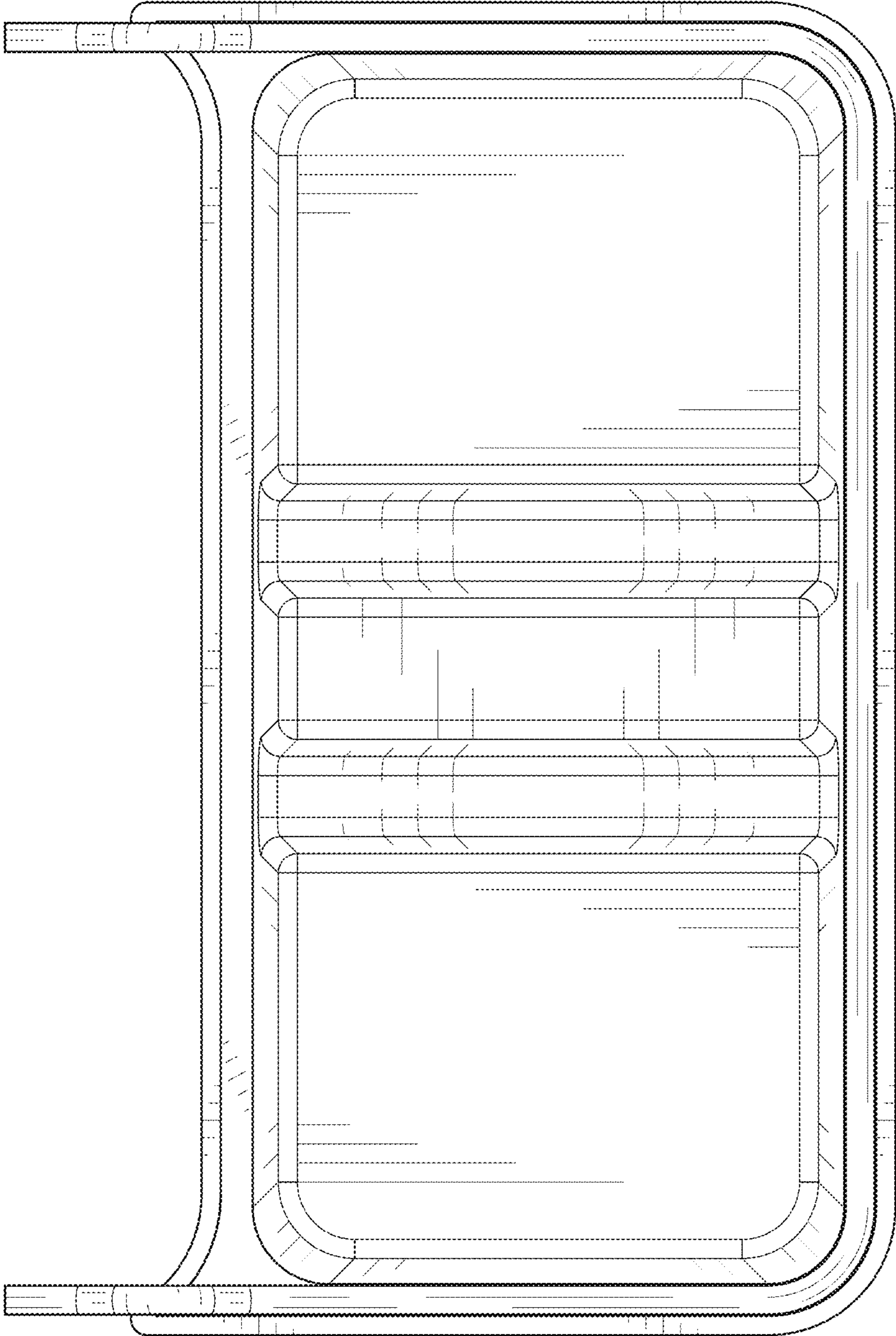


FIG. 7

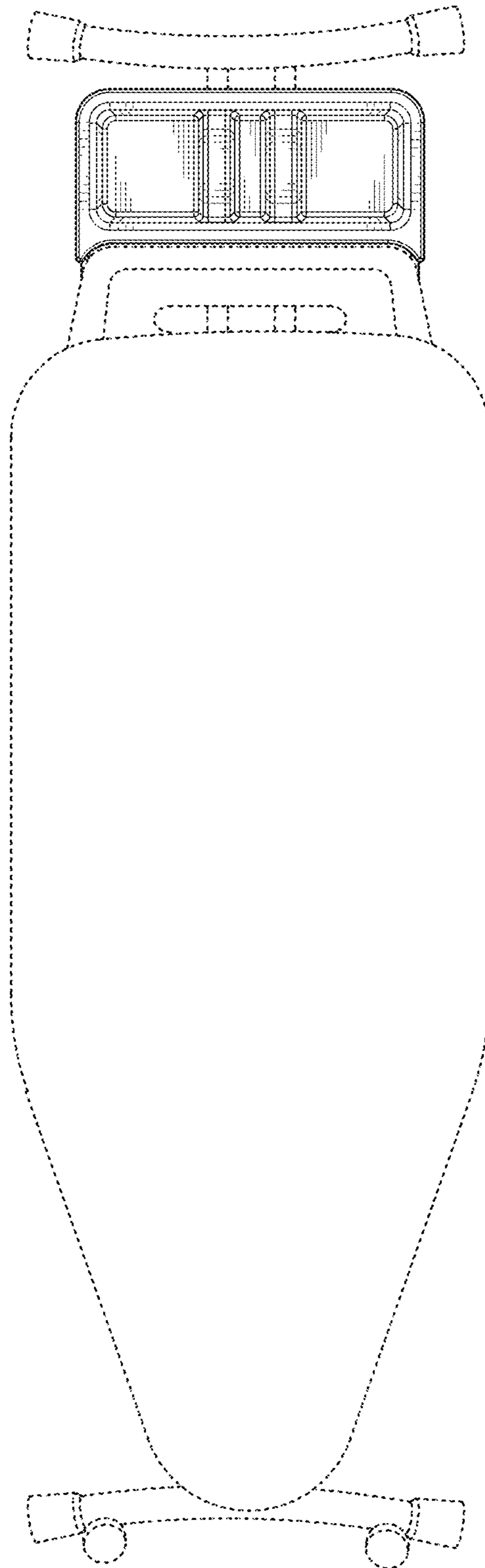


FIG. 8