



US00D980571S

(12) **United States Design Patent** (10) **Patent No.:** **US D980,571 S**  
**Lambertson, Jr. et al.** (45) **Date of Patent:** **\*\* Mar. 7, 2023**

(54) **COATING MATERIAL CONTAINER**

6,102,458 A 8/2000 Scace  
6,138,963 A 10/2000 Malvasio  
6,220,491 B1 4/2001 Wu  
D444,929 S 7/2001 Cox  
6,394,304 B1 5/2002 Bohne  
D458,723 S 6/2002 Malvasio  
D460,845 S 7/2002 Bergman  
6,419,106 B1 7/2002 Bebak

(71) Applicant: **SWIMC LLC**, Cleveland, OH (US)

(72) Inventors: **Michael C. Lambertson, Jr.**, Aurora, OH (US); **Joshua R. Robertson**, North Ridgeville, OH (US)

(73) Assignee: **SWIMC LLC**, Cleveland, OH (US)

(\*\*) Term: **15 Years**

(21) Appl. No.: **29/764,268**

(22) Filed: **Dec. 29, 2020**

**Related U.S. Application Data**

(63) Continuation of application No. 29/682,054, filed on Mar. 1, 2019, now Pat. No. Des. 908,999.

(51) **LOC (14) Cl.** ..... **07-05**

(52) **U.S. Cl.**  
USPC ..... **D32/53.1**

(58) **Field of Classification Search**  
USPC ..... D32/37, 53, 53.1, 54; D3/304, 307, 315, D3/905; D23/284, 288, 290; D7/603; D21/532

CPC ..... B44D 3/123; B44D 3/128; B44D 3/12; B44D 3/126; B44D 3/127; B65D 2543/00092

See application file for complete search history.

(56) **References Cited**

**U.S. PATENT DOCUMENTS**

2,277,739 A 3/1942 Worthington  
4,002,386 A 1/1977 McKenzie  
D245,450 S 8/1977 Donlon  
4,101,046 A 7/1978 Puntillo  
5,341,969 A 8/1994 Accardo et al.  
D364,017 S 11/1995 Moffitt  
5,549,216 A 8/1996 Scholl  
RE35,933 E 10/1998 Scholl

**FOREIGN PATENT DOCUMENTS**

CA 2422885 9/2001  
CA 2522230 10/2005

(Continued)

**OTHER PUBLICATIONS**

Office Action from corresponding Chinese Application No. 202080014597.9 dated Mar. 16, 2022, 23 pages.

(Continued)

*Primary Examiner* — Calvin E Vansant

(74) *Attorney, Agent, or Firm* — Tucker Ellis LLP

(57) **CLAIM**

The ornamental design for a coating material container, as shown and described.

**DESCRIPTION**

FIG. 1 is a perspective view of a coating material container showing our new design;

FIG. 2 is a front view thereof;

FIG. 3 is a rear view thereof;

FIG. 4 is a top view thereof;

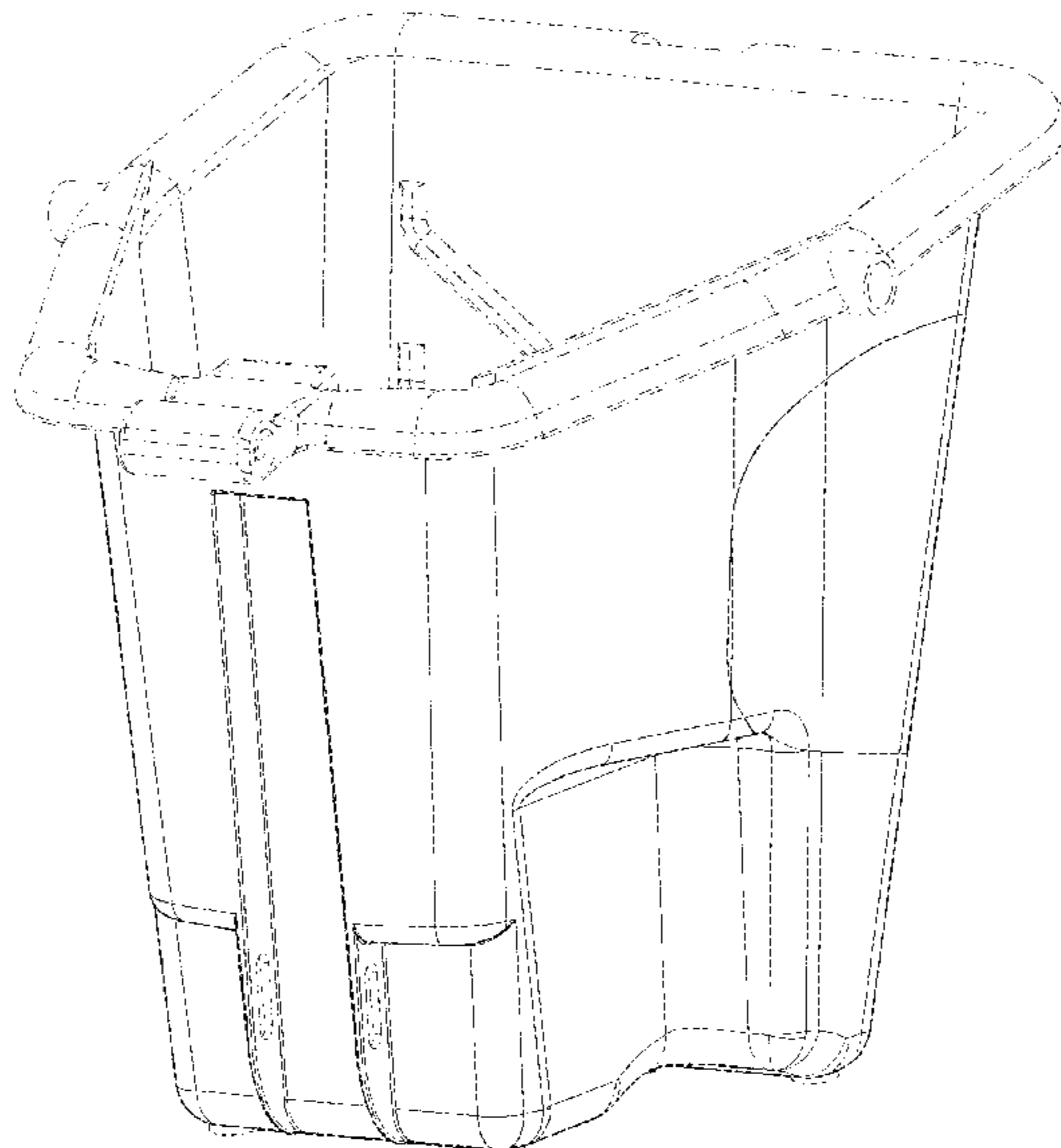
FIG. 5 is a bottom view thereof;

FIG. 6 is a left side view thereof; and,

FIG. 7 is a right side view thereof.

The broken lines show portions of the design that form no part of the claimed design.

**1 Claim, 7 Drawing Sheets**



(56)

References Cited

U.S. PATENT DOCUMENTS

D461,608 S 8/2002 Davenport et al.  
 6,530,496 B2 3/2003 Moran  
 D472,684 S 4/2003 Bebak  
 6,708,838 B2 3/2004 Bergman  
 6,729,665 B1 5/2004 Posey  
 6,991,829 B2 1/2006 Bergman  
 7,191,913 B2 3/2007 Byrne  
 7,387,323 B1 6/2008 Minnette  
 D581,118 S 11/2008 Bergman  
 7,527,164 B1 5/2009 Reichborn  
 D604,471 S 11/2009 Bergman  
 7,644,835 B2 1/2010 Bergman  
 D617,517 S 6/2010 Bergman  
 D627,119 S 11/2010 Bergman  
 D634,907 S 3/2011 Bergman  
 7,959,030 B2 6/2011 Bergman  
 D643,983 S \* 8/2011 Lockwood ..... D32/53  
 8,087,554 B2 1/2012 Gringer  
 D661,855 S 6/2012 Bergman et al.  
 8,286,825 B2 10/2012 Billado, Jr.  
 8,308,341 B2 11/2012 Garcia  
 8,333,300 B2 12/2012 Diaz  
 D678,638 S 3/2013 Bergman et al.  
 8,505,788 B2 8/2013 Thibault  
 D690,482 S 9/2013 Bergman et al.  
 8,550,285 B2 10/2013 Bergman  
 8,556,116 B2 10/2013 Bergman  
 D694,979 S \* 12/2013 Lambertson, Jr. .... D32/54  
 8,608,019 B2 12/2013 Wren  
 D697,281 S 1/2014 Bergman et al.  
 8,636,171 B1 1/2014 Dattilo  
 D702,907 S 4/2014 Bergman et al.  
 8,919,604 B2 12/2014 Bergman  
 9,022,253 B2 5/2015 Oster  
 D738,057 S 9/2015 Arvinte et al.  
 D744,186 S 11/2015 Gringer et al.  
 D744,711 S 12/2015 Gringer et al.  
 D756,049 S \* 5/2016 Arvinte ..... D32/53  
 D761,511 S 7/2016 Malvasio  
 9,409,200 B2 8/2016 Bergman  
 9,415,901 B2 8/2016 Beckman  
 D783,917 S 4/2017 Gringer et al.  
 D794,892 S 8/2017 Bergman et al.  
 D796,140 S \* 8/2017 Bergman ..... D32/53.1  
 D804,124 S \* 11/2017 Sagastume ..... D32/53  
 D838,072 S \* 1/2019 Bergman ..... D32/53.1  
 10,266,306 B2 4/2019 Bergman  
 D866,900 S \* 11/2019 Bergman ..... B44D 3/126  
 D867,708 S \* 11/2019 Bergman ..... D32/53.1  
 2003/0094460 A1 5/2003 Findleton  
 2003/0184103 A1 10/2003 Cauchy  
 2004/0206761 A1 \* 10/2004 Frantz ..... B44D 3/126  
 2006/0065668 A1 3/2006 Whitaker  
 2006/0175362 A1 8/2006 Gringer

2006/0201951 A1 9/2006 Cingel  
 2006/0225959 A1 10/2006 Pohl  
 2006/0226154 A1 10/2006 Lundy  
 2006/0243732 A1 11/2006 Bergman  
 2007/0012705 A1 1/2007 Bergman  
 2007/0295768 A1 12/2007 Gringer  
 2008/0223810 A1 9/2008 Garcia  
 2008/0251525 A1 10/2008 Fontaine  
 2010/0140275 A1 6/2010 Billado, Jr.  
 2011/0163104 A1 7/2011 Hagen  
 2011/0315700 A1 12/2011 Macdonald  
 2013/0119064 A1 5/2013 Mackay et al.  
 2013/0175281 A1 7/2013 Dattilo  
 2013/0341341 A1 12/2013 Giedroyce  
 2014/0008377 A1 1/2014 Findleton  
 2014/0043732 A1 2/2014 McKay et al.  
 2015/0217595 A1 8/2015 Piatek et al.  
 2015/0298496 A1 10/2015 Payne  
 2016/0229591 A1 8/2016 Bajuyo  
 2017/0057697 A1 3/2017 Fee et al.  
 2017/0113838 A1 4/2017 Bergman  
 2017/0129277 A1 5/2017 Rogowski et al.  
 2017/0253380 A1 9/2017 Boyer et al.  
 2018/0043731 A1 2/2018 Cheng  
 2018/0043732 A1 2/2018 Gringer et al.  
 2019/0217991 A1 7/2019 Bergman et al.

FOREIGN PATENT DOCUMENTS

CA 2800164 10/2005  
 CA 2800172 10/2005  
 CA 2516892 A1 4/2006  
 CA 2508552 10/2006  
 CA 2959636 3/2017  
 CN 101024430 A 8/2007  
 CN 104291001 A 1/2015  
 CN 107149360 A 9/2017  
 DE 60127156 T2 11/2007  
 EP 1792834 6/2007  
 EP 1332095 7/2007  
 EP 1792834 11/2007  
 EP 2565049 6/2013  
 EP 3213655 6/2017  
 GB 381203 11/1961  
 GB 1190428 5/1970  
 GB 2404608 9/2005  
 WO 9118810 12/1991  
 WO 0027719 5/2000  
 WO 0224537 3/2002  
 WO 2010036606 4/2010

OTHER PUBLICATIONS

Bercom, <https://www.amazon.com/Paint-Gallon-Paint-Accommodates-Mini-Roller/dp/BO-1-C4918EG> captured Mar. 11, 2022 (Year: 2016).

\* cited by examiner

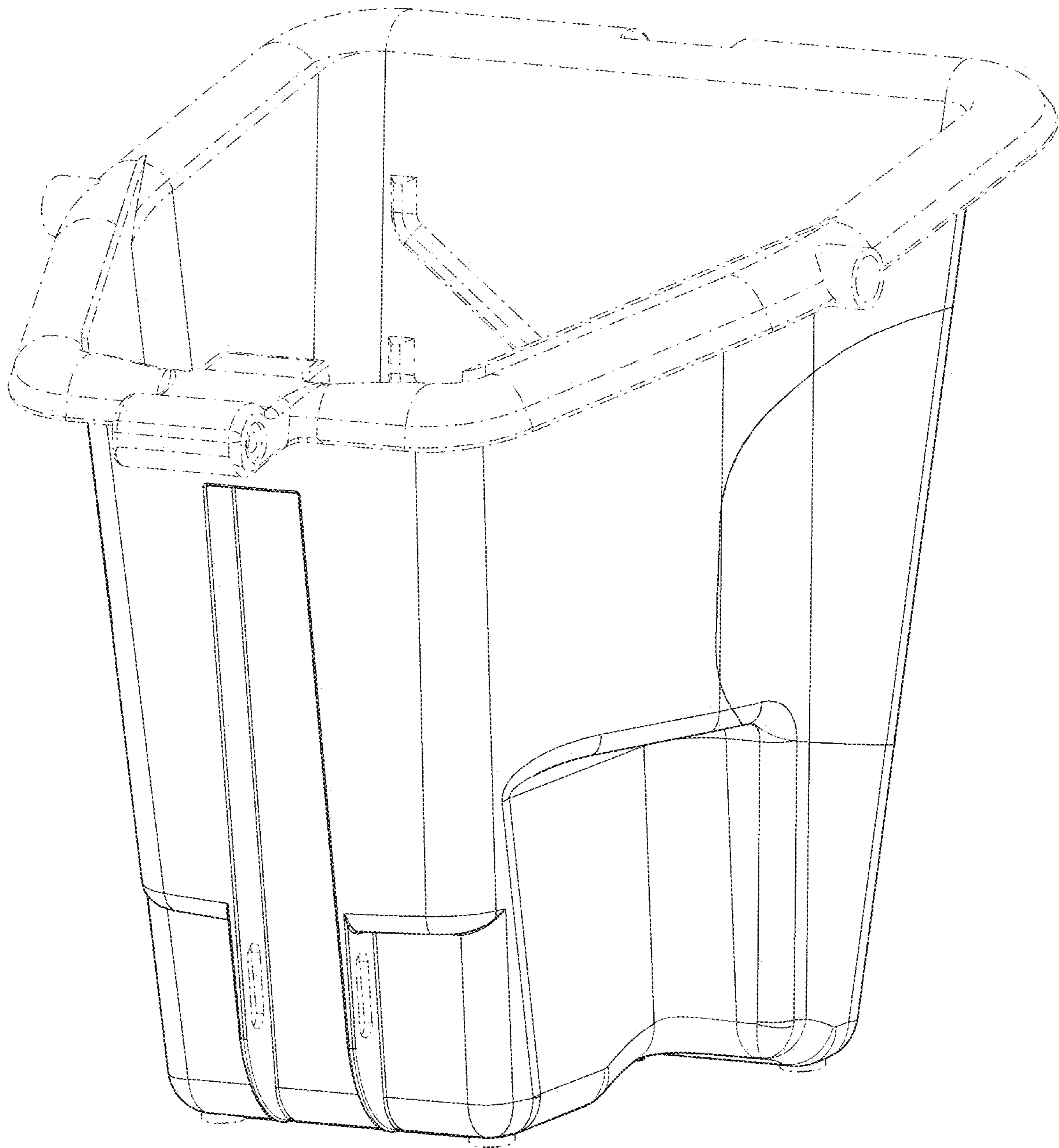


FIG. 1

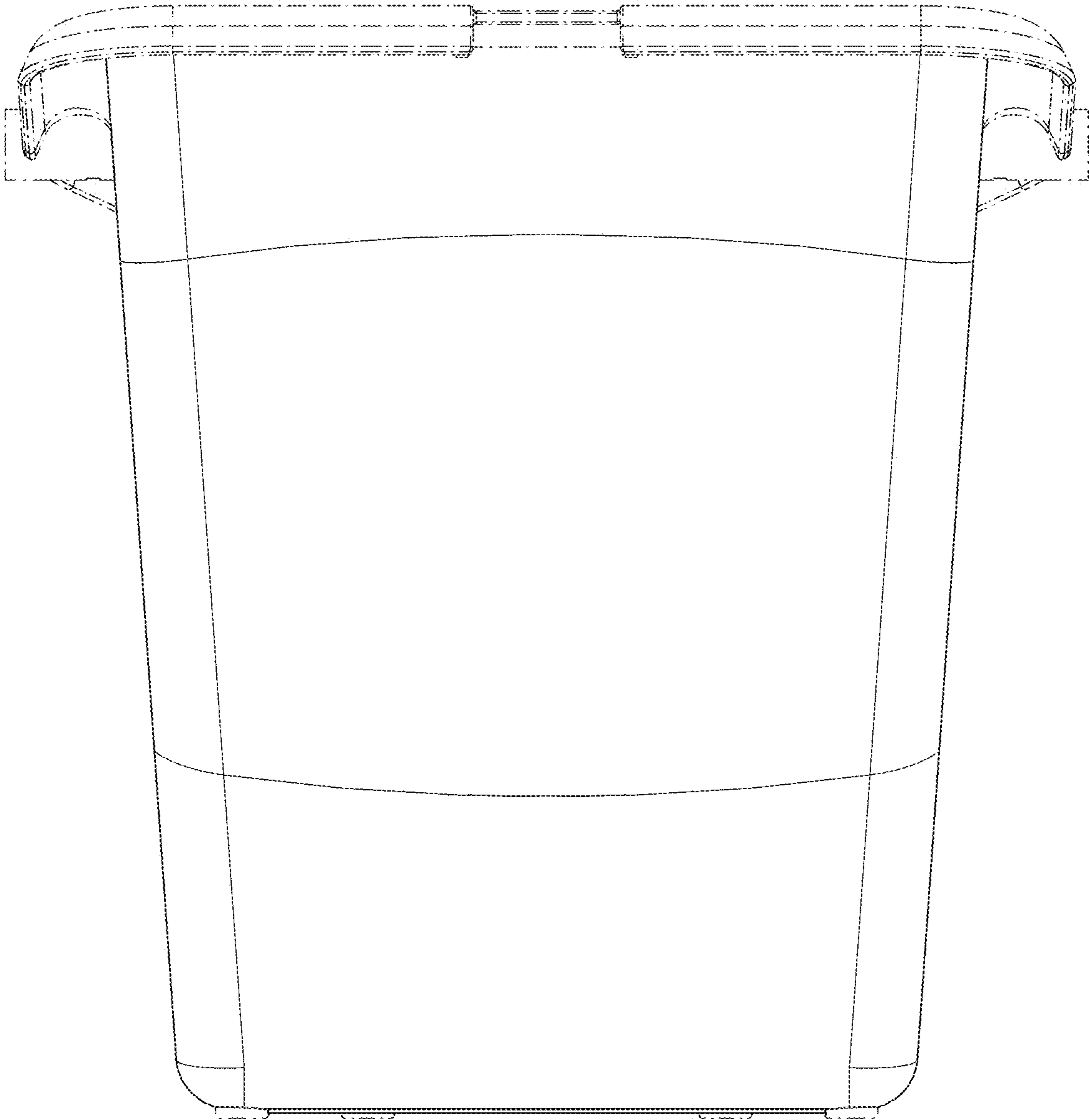


FIG. 2

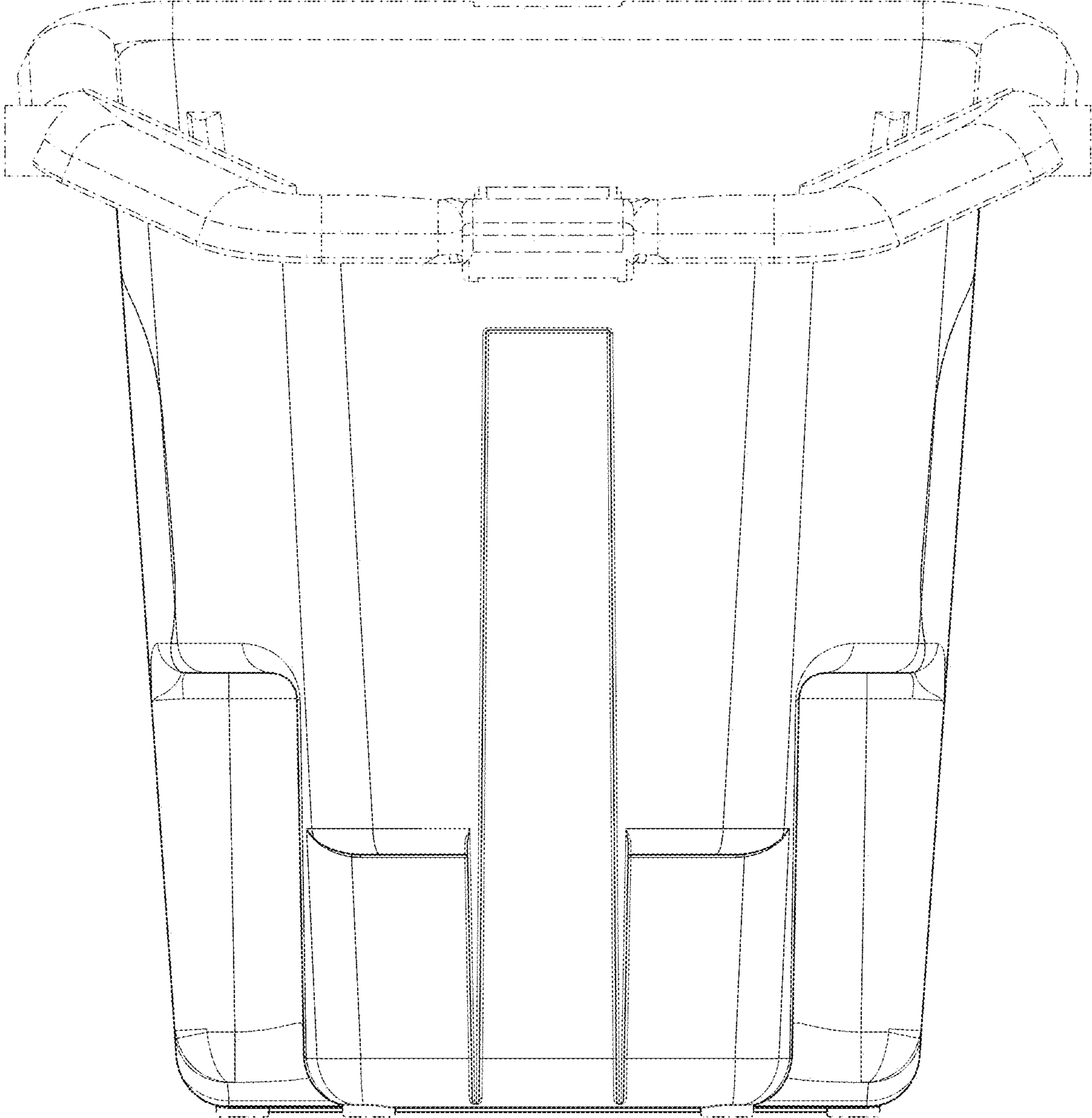


FIG. 3

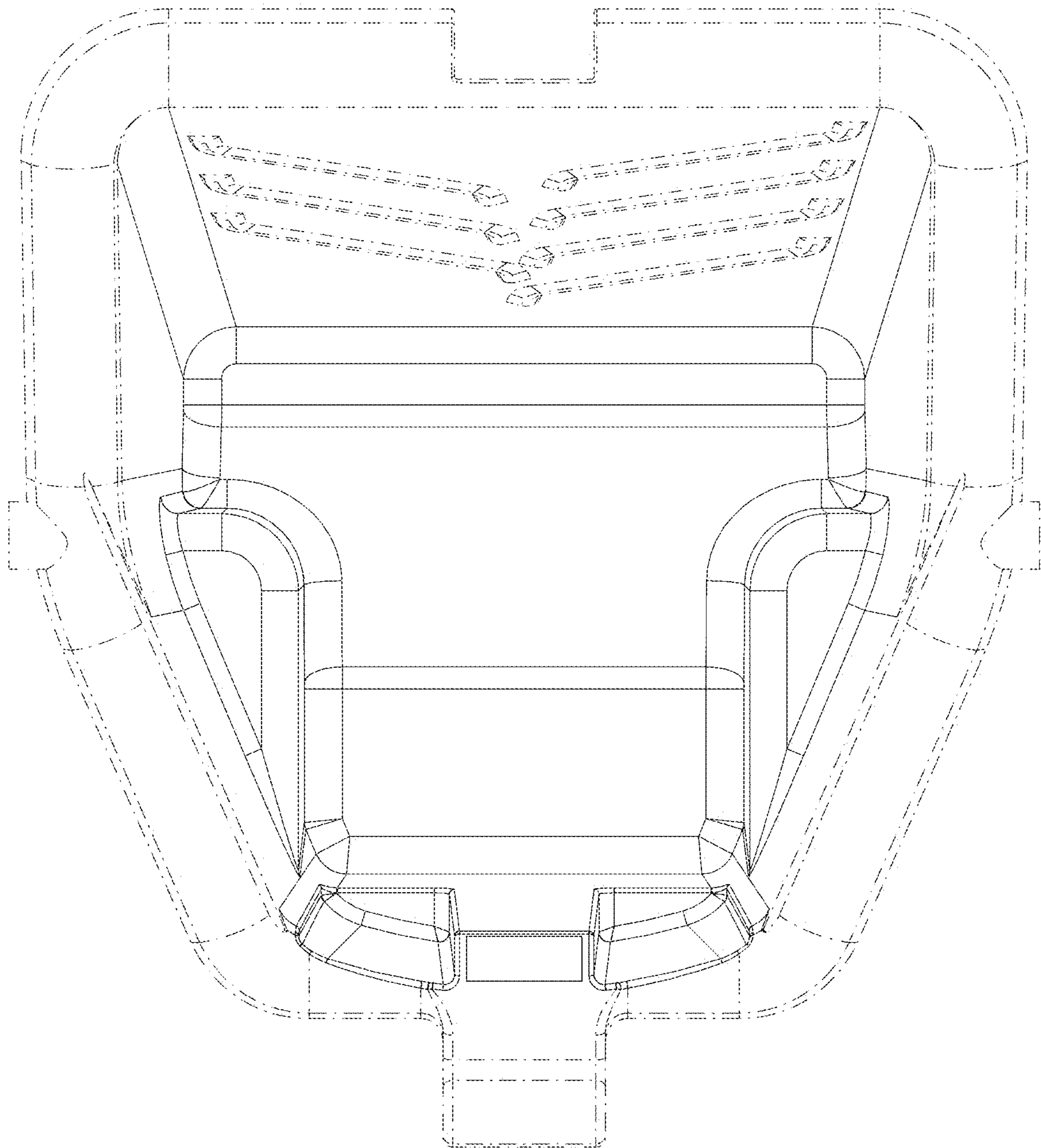


FIG. 4

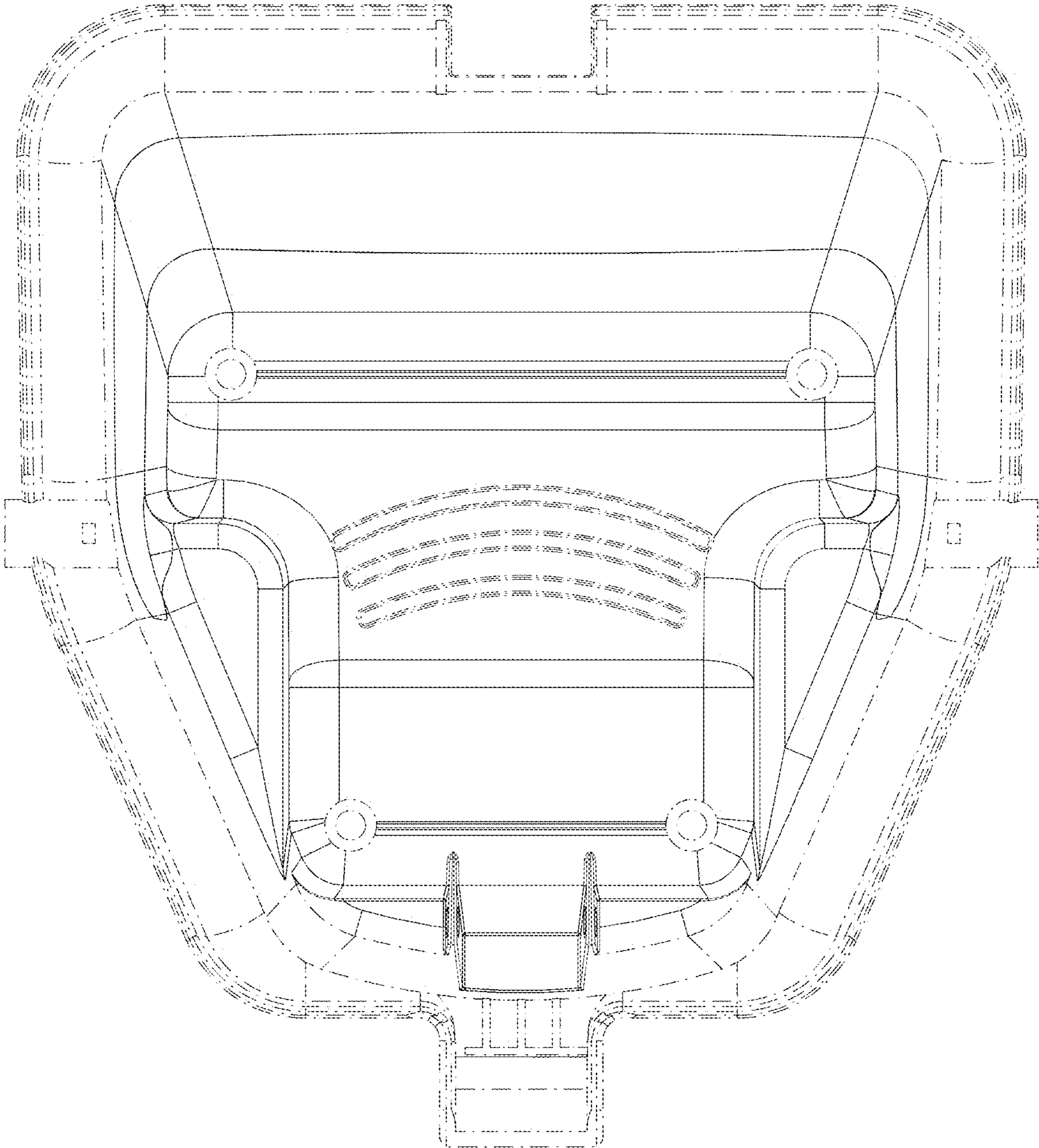


FIG. 5

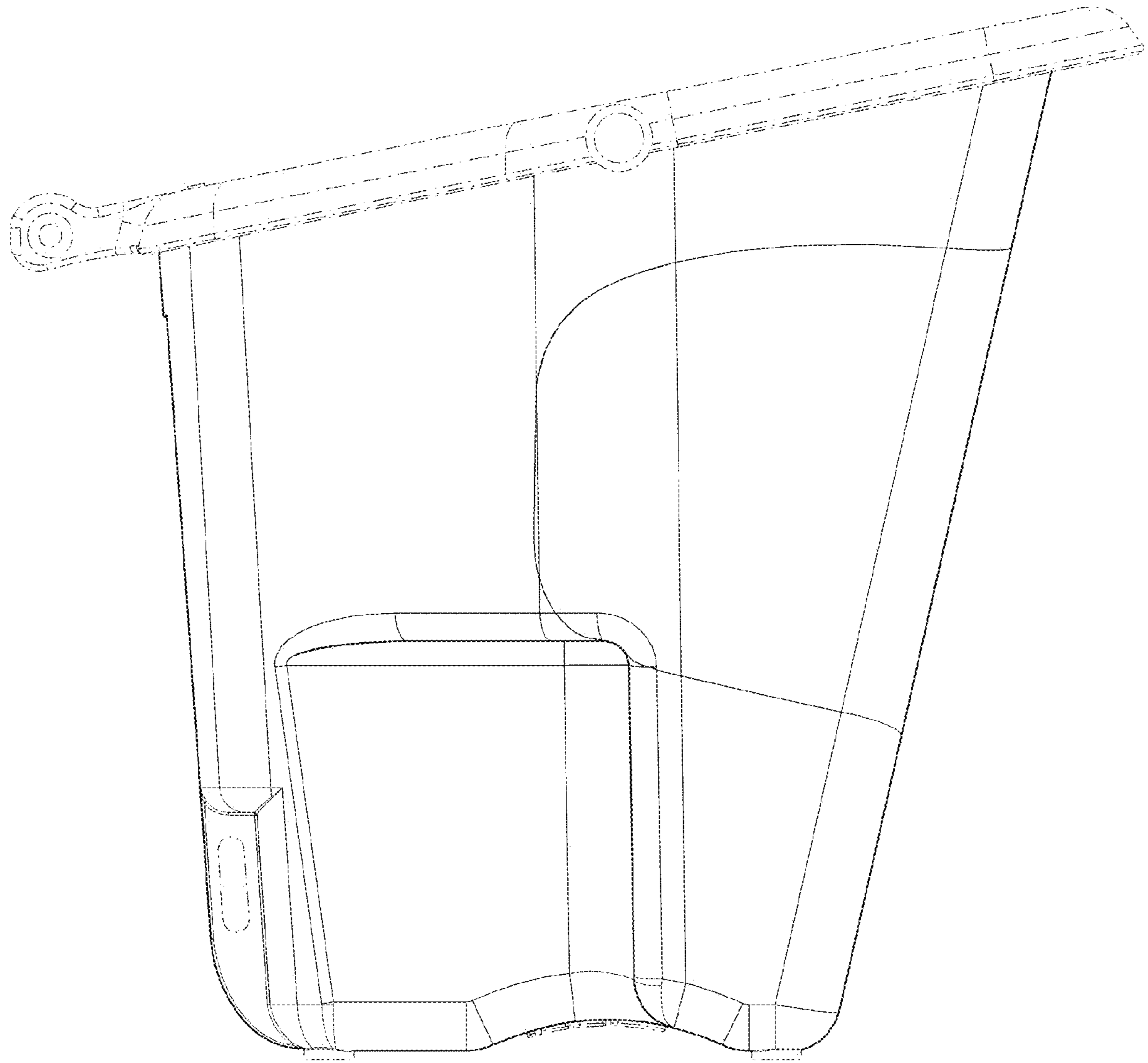


FIG. 6



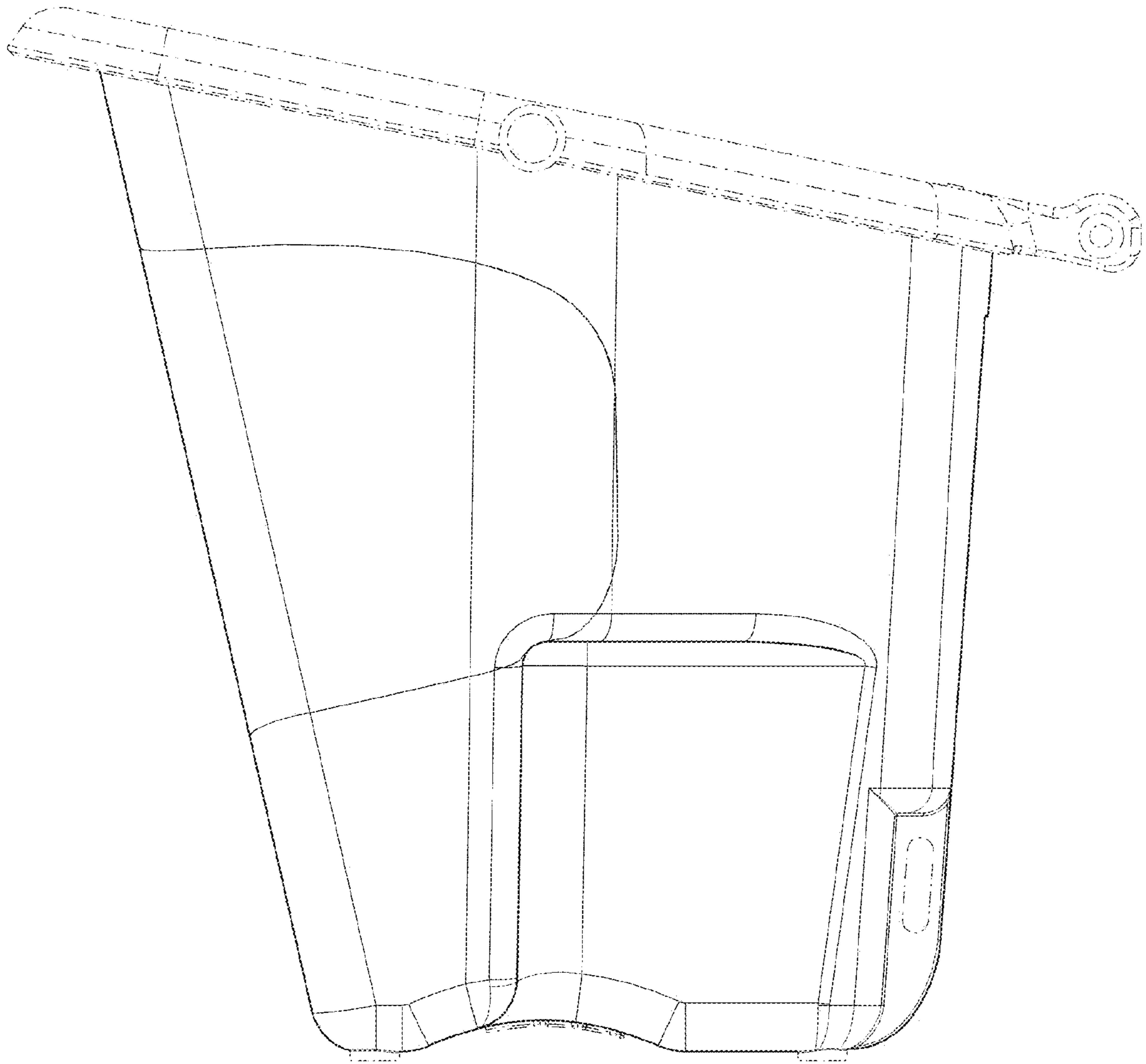


FIG. 7